

Pz.Kpfw.VIII Maus

德国鼠式重型坦克

READ BEFORE ASSEMBLY:

- Study and understand these instructions thoroughly before beginning assembly
- When needed, remove photo-etch parts carefully using a modeling knife or photo etch sprue cutter, being careful not to damage or lose small parts.
- Take extra care in handling photo etch parts in order to avoid injury
- Apply instant cement sparingly to photo etch parts where instructed
- Tools recommended(not included in kit):Plastic and instant cements, sprue cutters,long nose pliers,modeling knife, small files, tweezers, pin vise & scissors. Soft cloth and sandpaper will also assist in construction
- Glue and paint are not included in the kit. Use plastic cement and hobby paints only. Color guide for purchasing paint is included in the kit.

装配之前仔细阅读

- 小心用模型锉刀锉平所有零件表面的注射浇口。
- 小心用刀片切下蚀刻片零件，不要遗失小零件。
- 用强力快干胶水粘合蚀刻片零件和金属轴。过量快干胶水使用可能导致可动零件会粘住，小心涂胶。
- 取蚀刻片时应特别注意安全，防止利边划伤手指。
- 某些零件表面需贴水上贴纸，请选择在装配的同时进行。
- 推荐模型工具(自备)：胶水，水口剪刀，长咀钳，刀片，锉刀，镊子，钳，钻，剪刀，瞬间快干胶。
- 软布同砂纸同时也应该是必备工具。
- 请使用塑料胶水和油漆，模型内不含。



配重
Weight



使用强力胶
Cyanoacrylate glue



钻孔
Make hole



切除
Cut / Remove



贴纸
Decal



锉平
File / Sand



选择
Option



不涂胶水
No cement



弯曲
Bend



先装
Install it first

水贴纸的使用:

- 1.从水贴纸上剪下印花;
- 2.将印花放入温水中浸10秒, 然后放在干净布上。
- 3.拿着印花纸板将印花移到模型上;
- 4.手指蘸水将印花移到适当的位置;
- 5.用软布轻压印花直至水干, 气泡消失

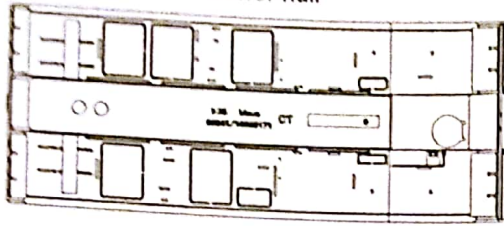
DECAL APPLICATION

- 1.Cut decals from sheet as needed
- 2.Dip the decal in warm water for about 10 seconds and then place on soft clean cloth.
- 3.Hold the decal backing sheet edge and gently slide the decal onto the model in its proper position.

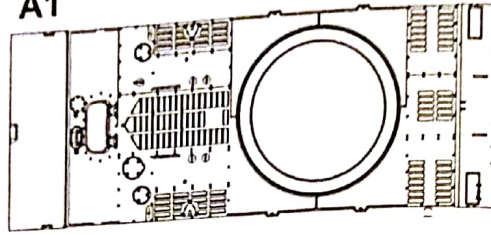
- 4.While still wet,decal can be adjusted for better fit on model by dampening it gently with your finger.
- 5.When placed in the proper position,gently press decal down with a soft cloth until excess water and air bubbles are gone.
- 6.Allow decal to dry completely before handling model

部品图 Parts

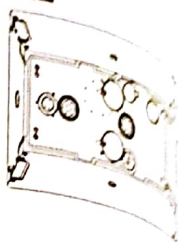
(车底)
Lower hull



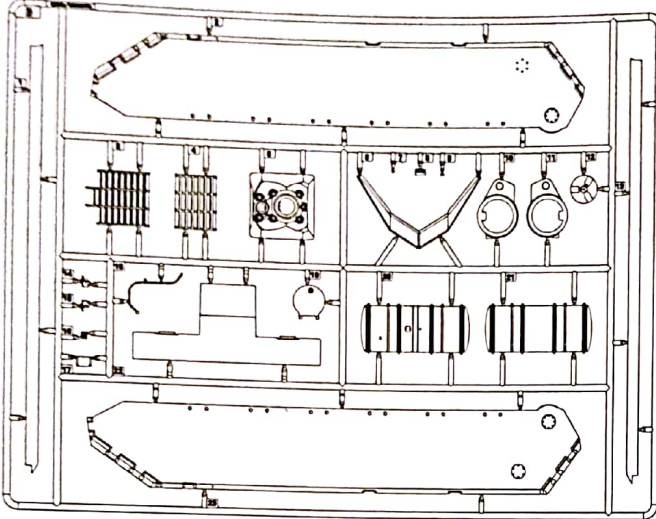
A1



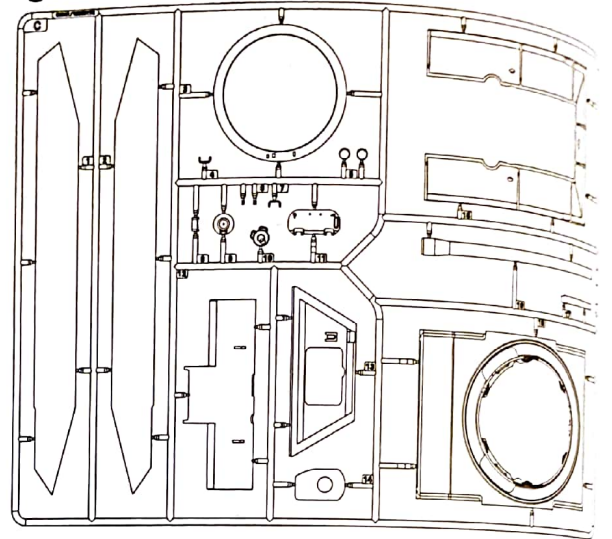
A2



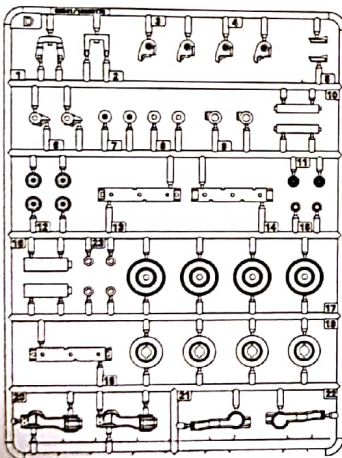
B



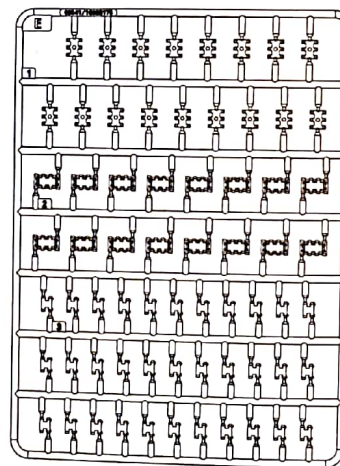
C



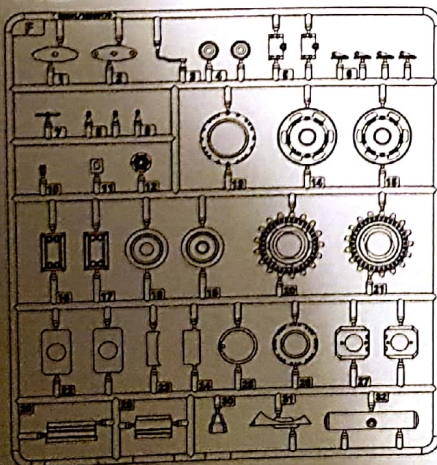
Dx12



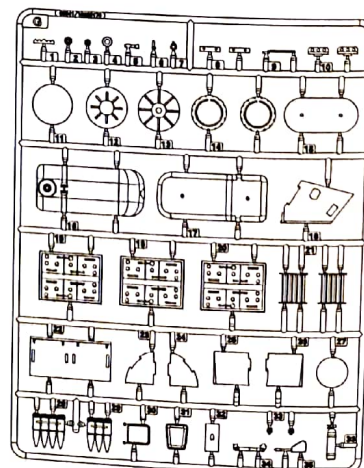
Ex7



Fx2

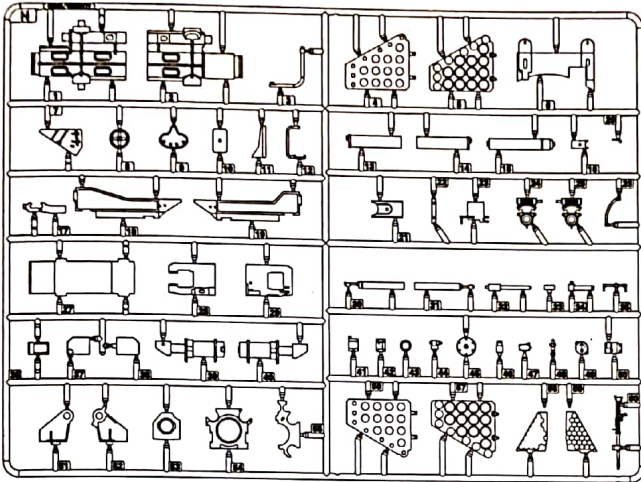


Gx2

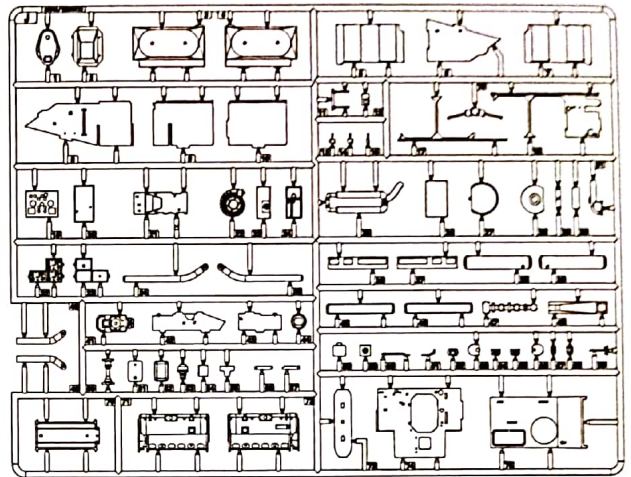


部品图
Parts

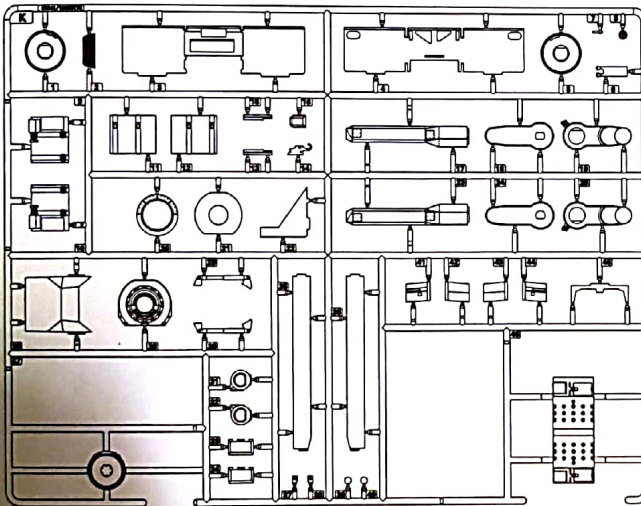
H



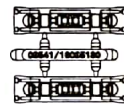
J



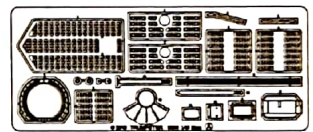
K



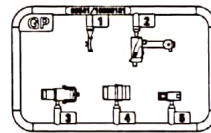
TRx110



PE(A)



GP



《链条》长:25
Chain

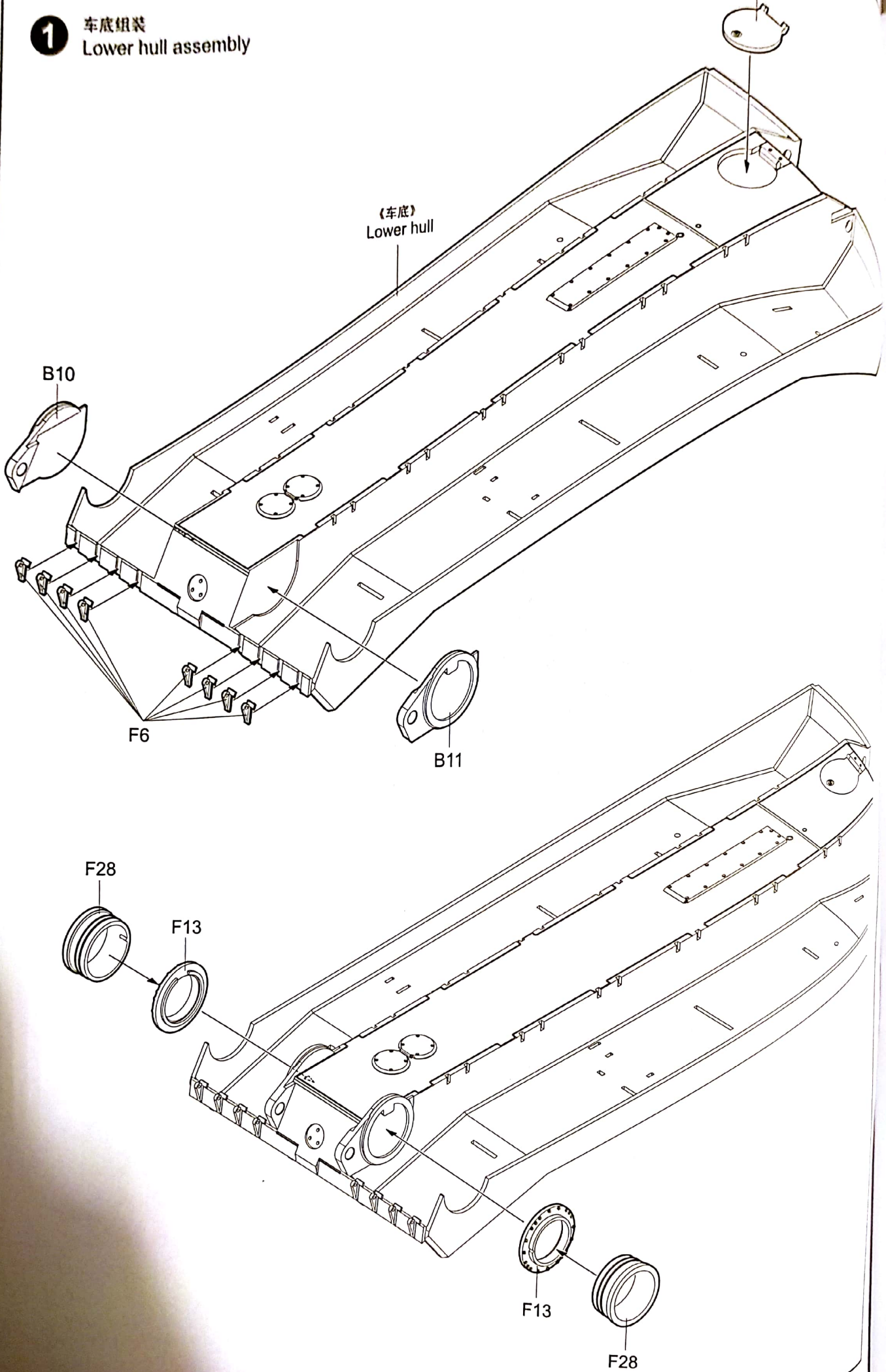


《水贴》
Decal

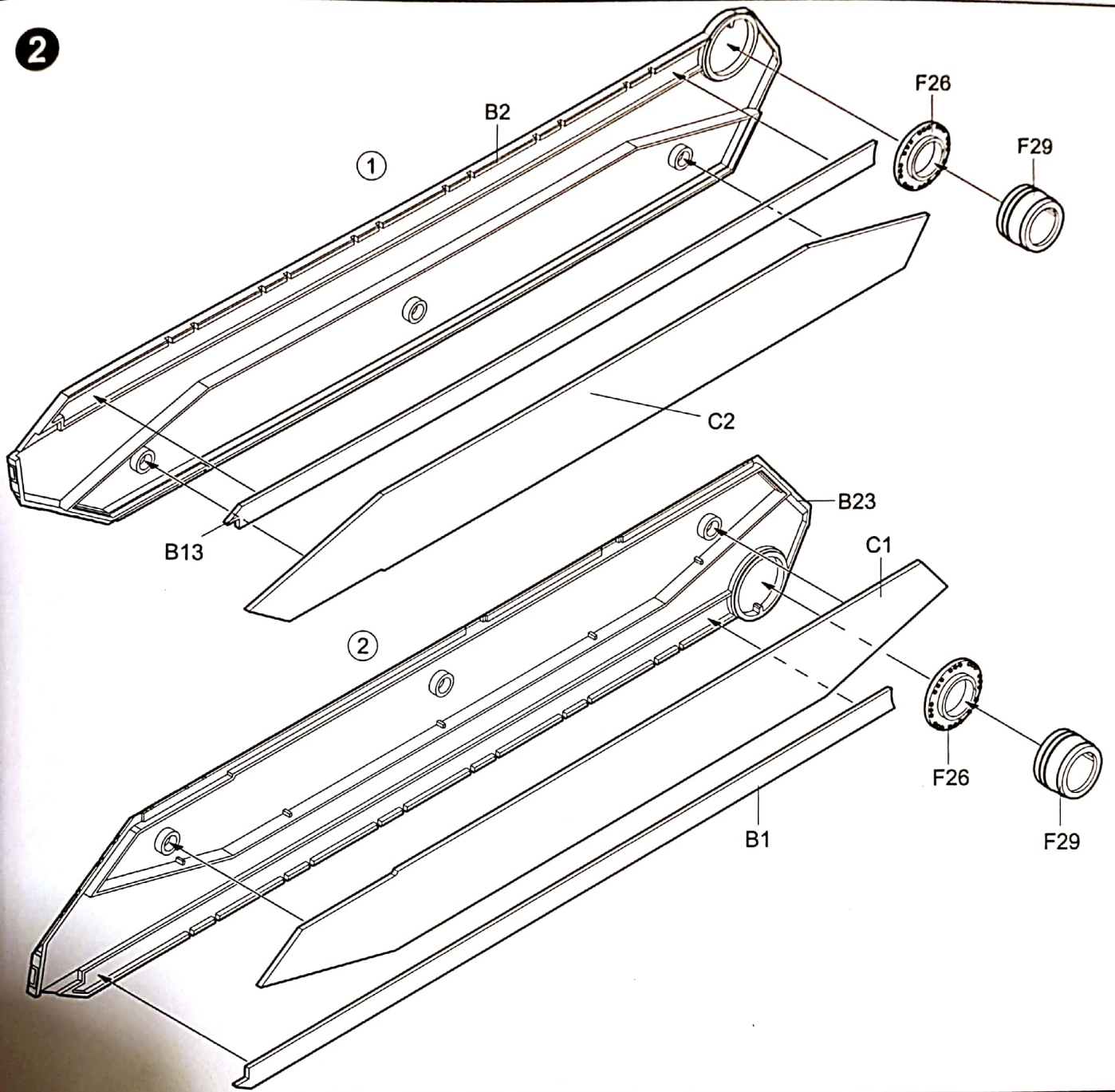


1

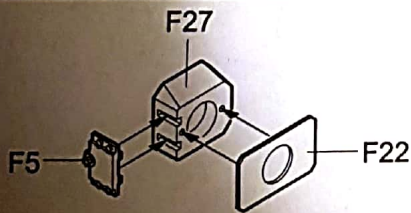
车底组装
Lower hull assembly



2

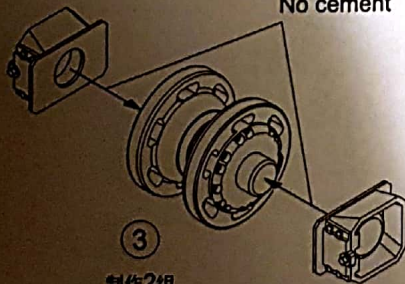


3

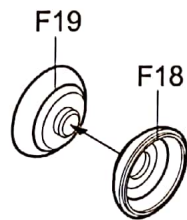


制作4组
Make four

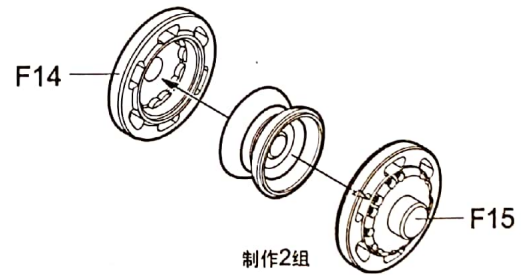
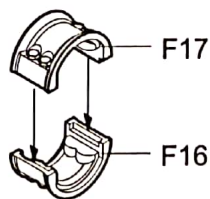
不涂胶水
No cement



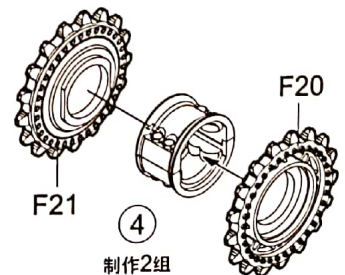
制作2组
Make two



制作2组
Make two

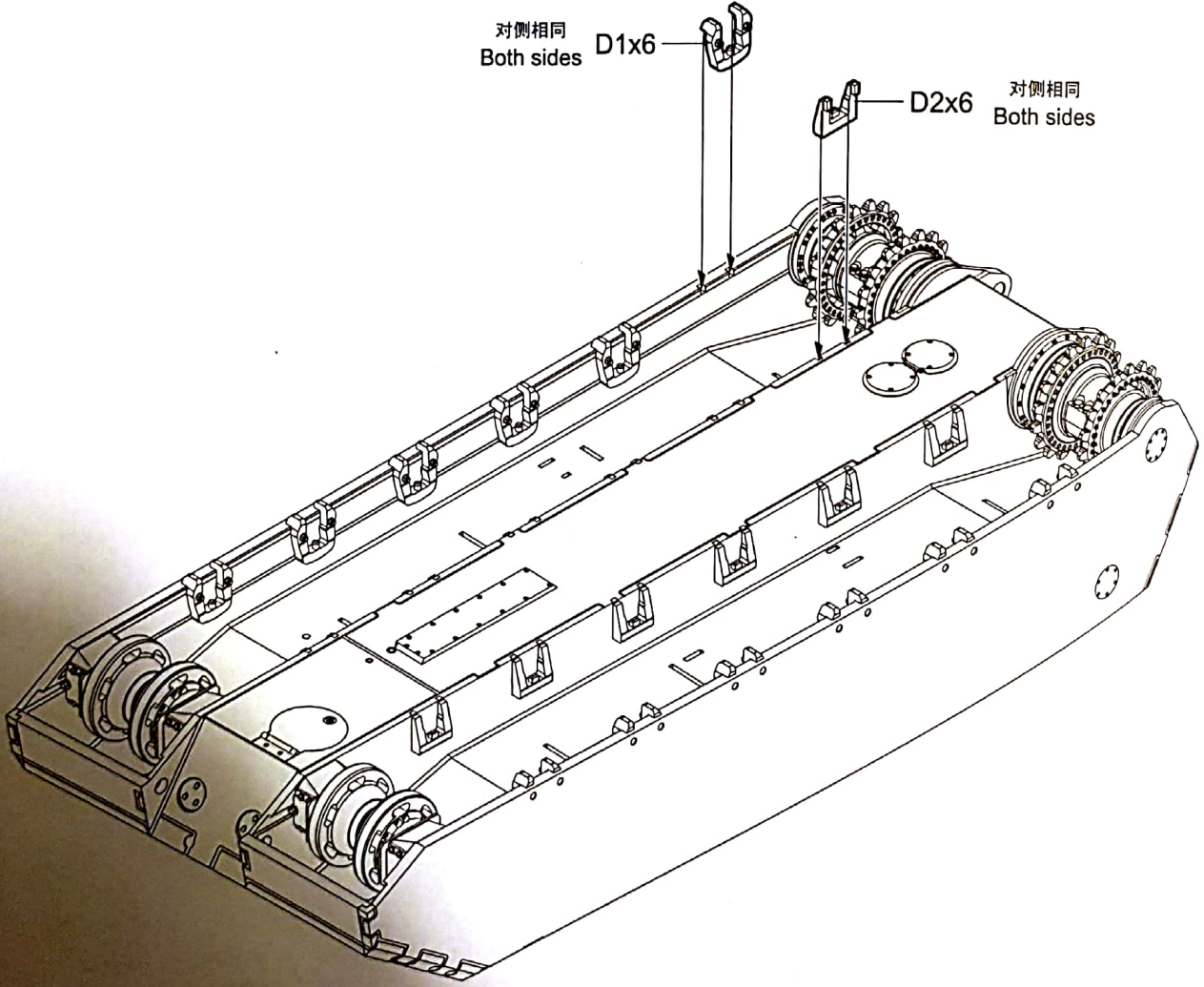
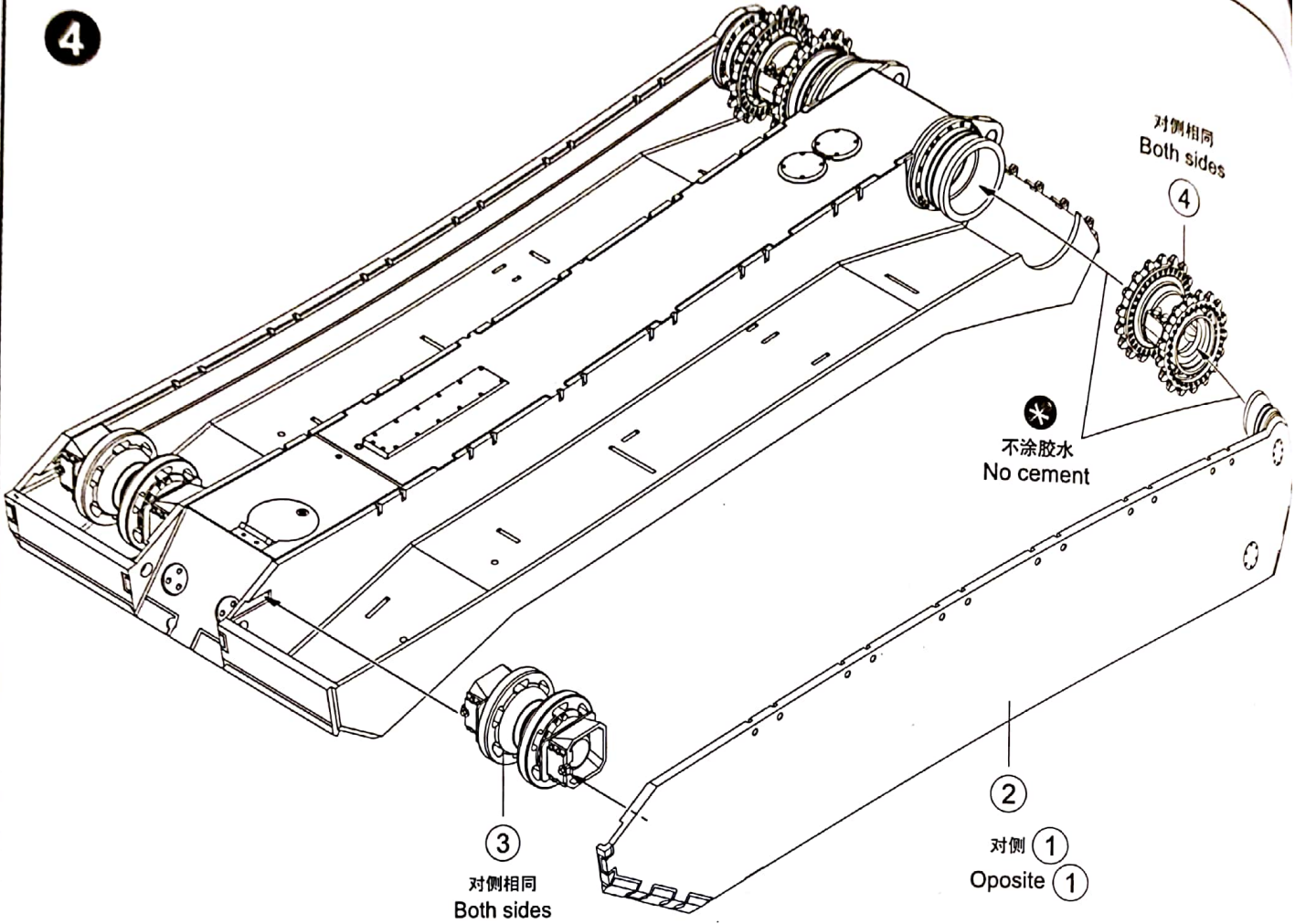


制作2组
Make two



制作2组
Make two

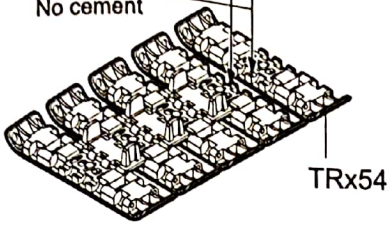
4



5

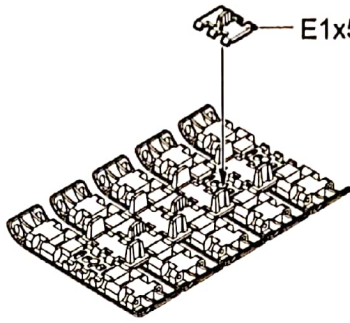
不涂胶水
No cement

E2x55



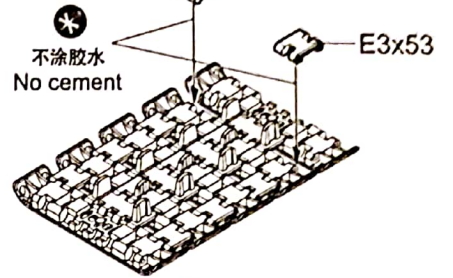
TRx54

E1x54



E3x53

不涂胶水
No cement



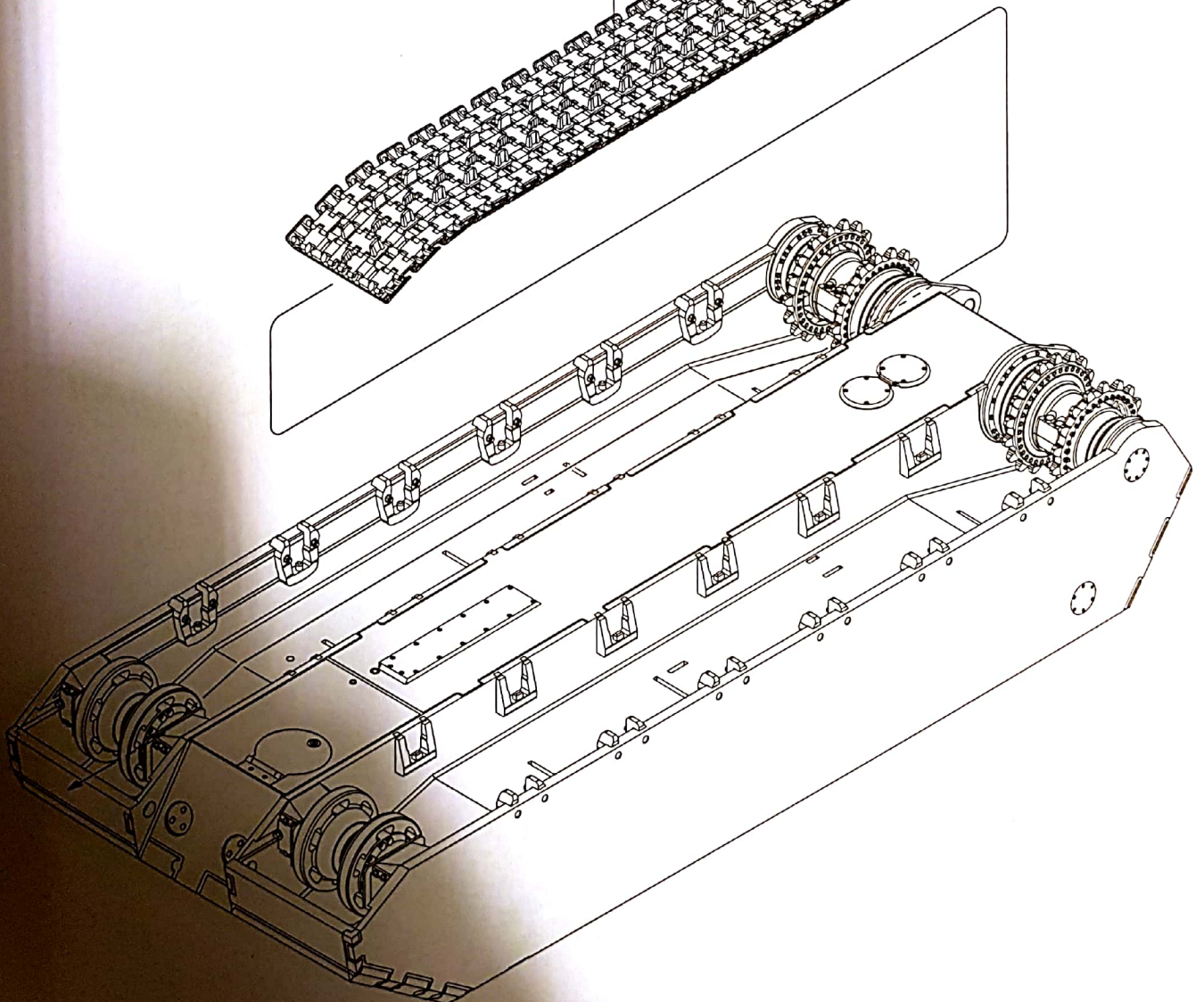
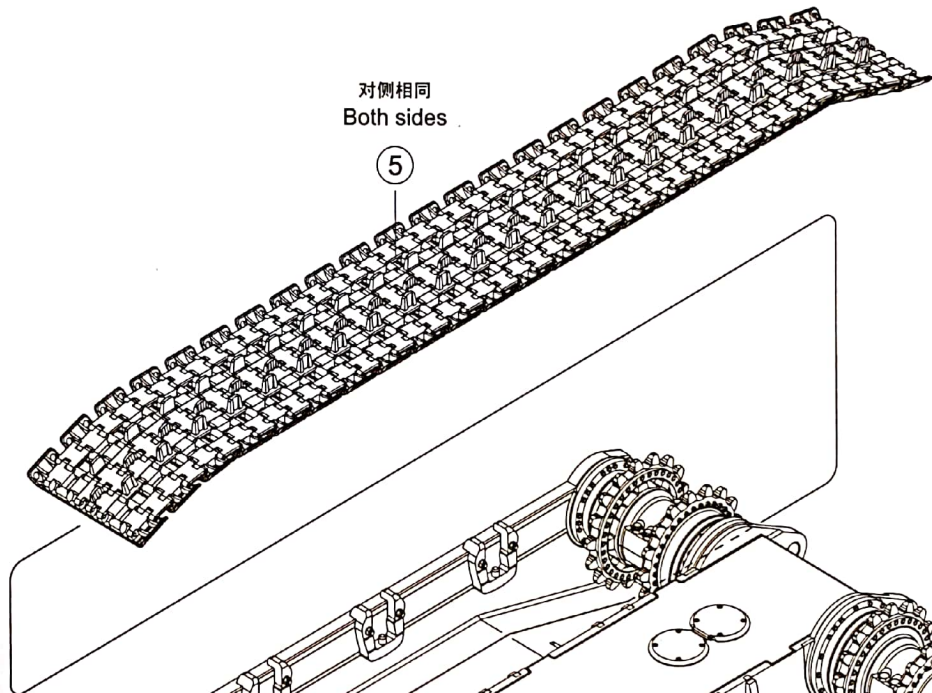
E3x53

5

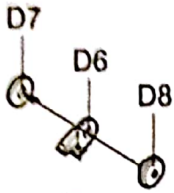
制作2组
Make two

对侧相同
Both sides

5

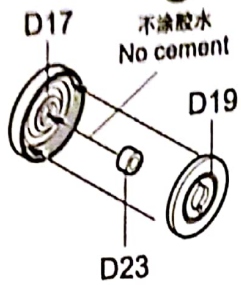


6



6

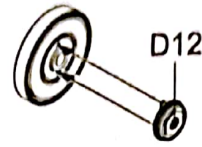
制作24组
Make twenty four



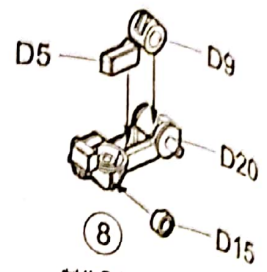
D23

7

制作48组
Make forty eight

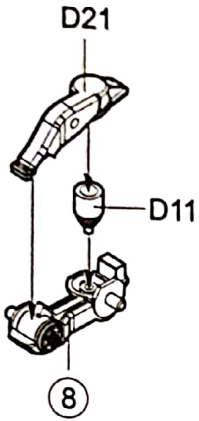


D12

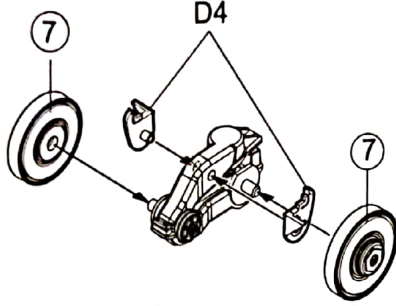


8

制作24组
Make twenty four

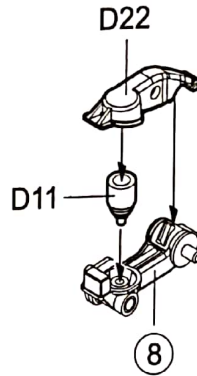


8

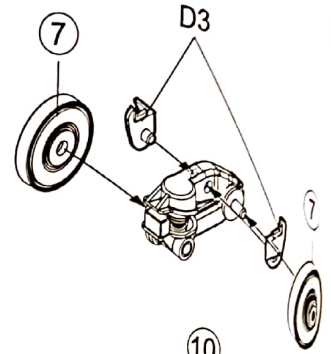


9

制作12组
Make twelve

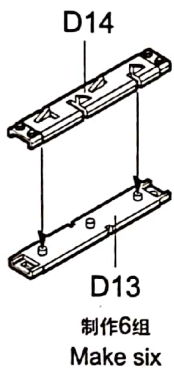


8



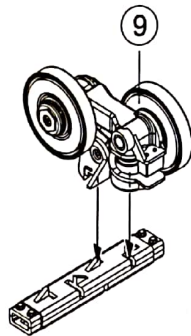
10

制作12组
Make twelve

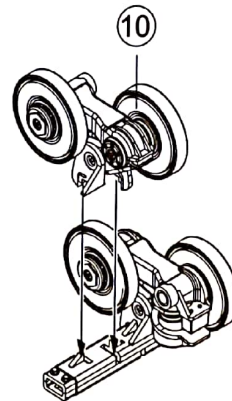


D13

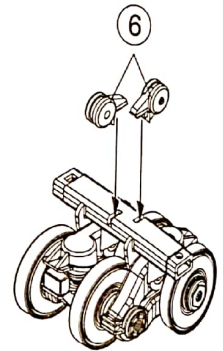
制作6组
Make six



9

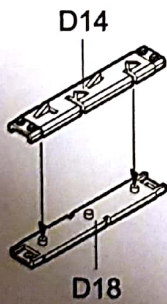


10



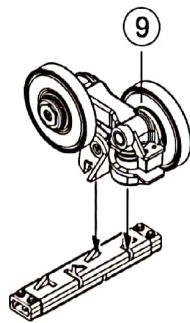
11

制作6组
Make six

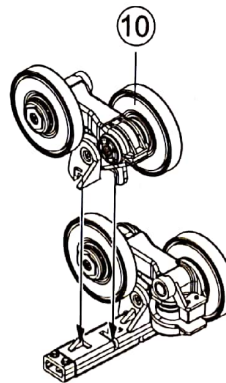


D18

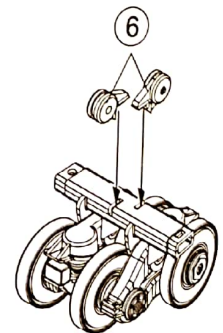
制作6组
Make six



9



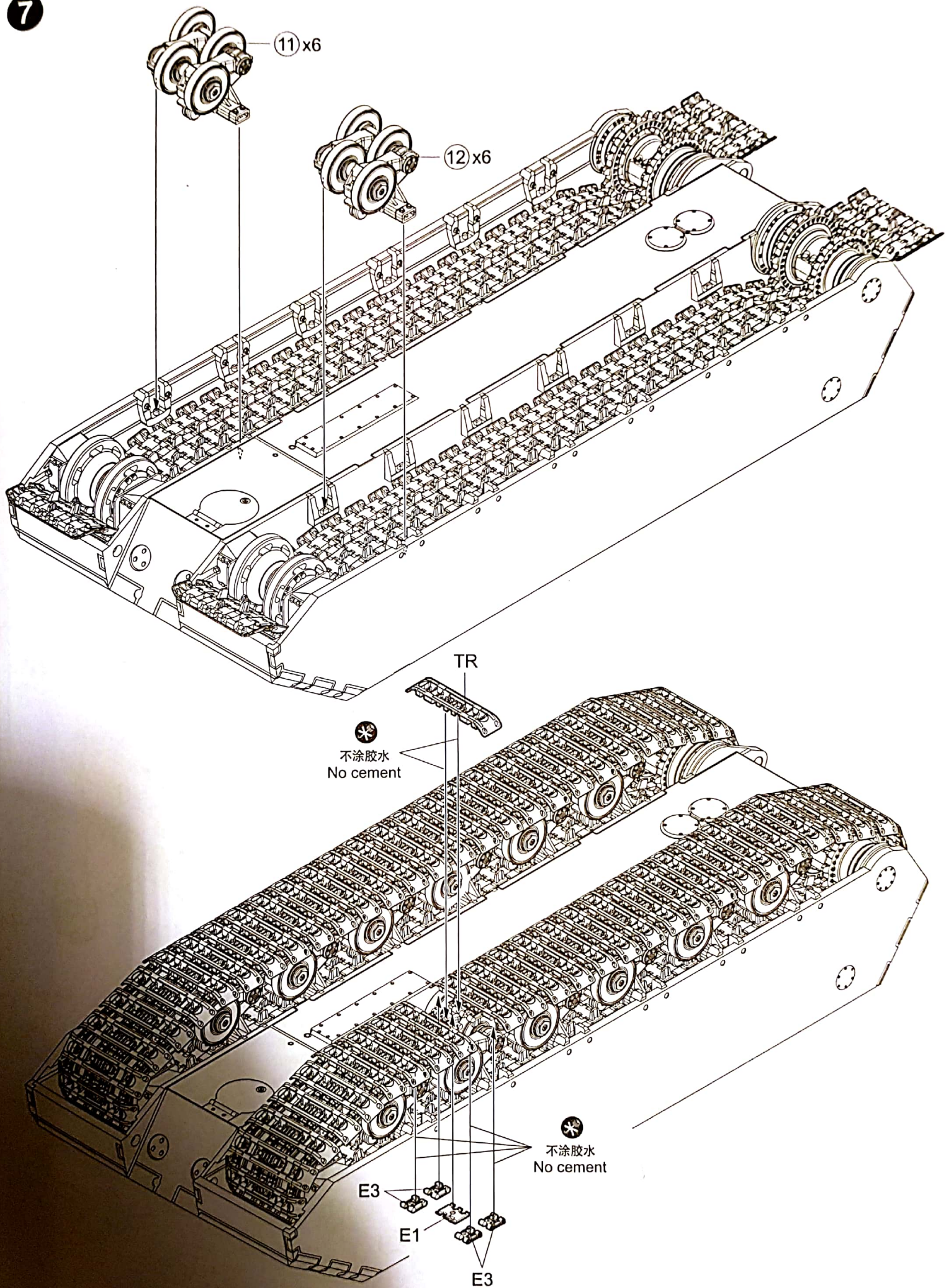
10



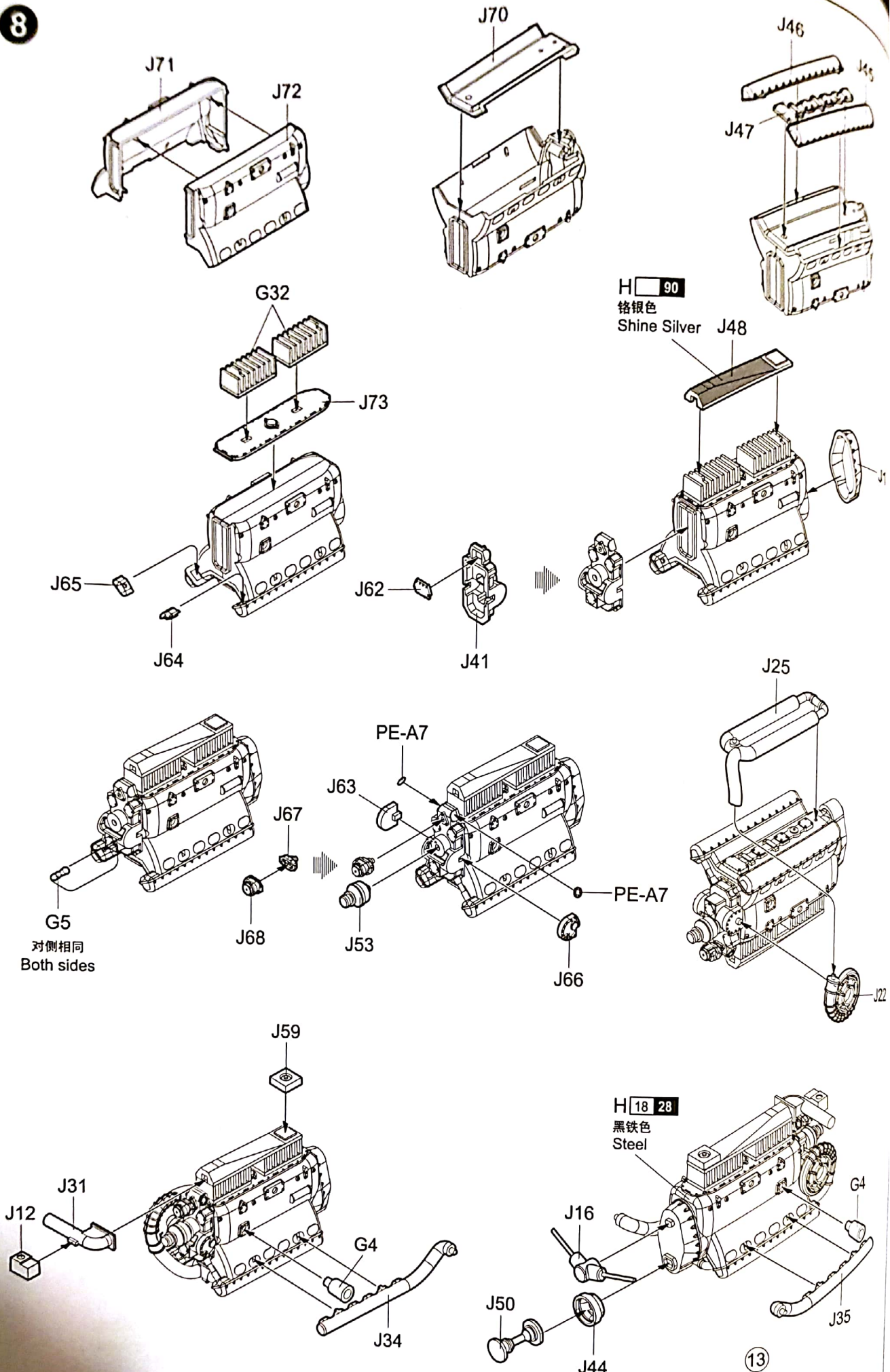
12

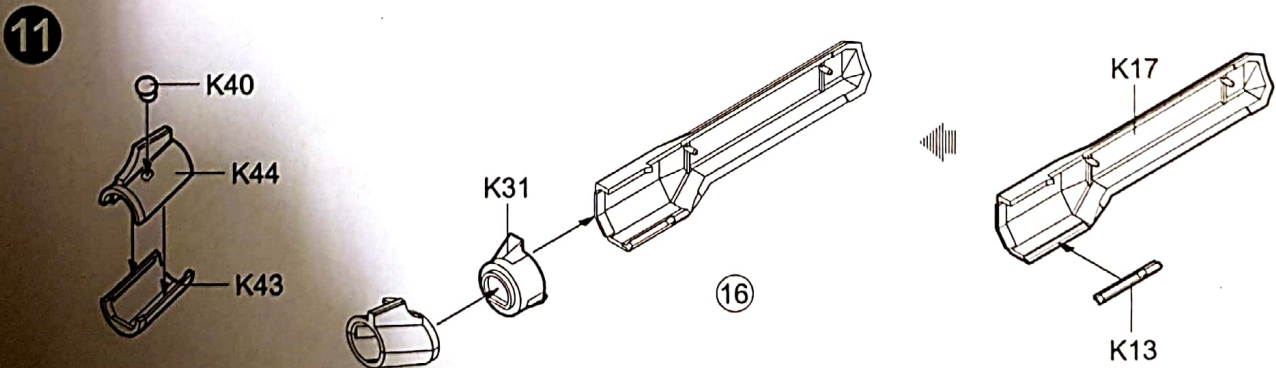
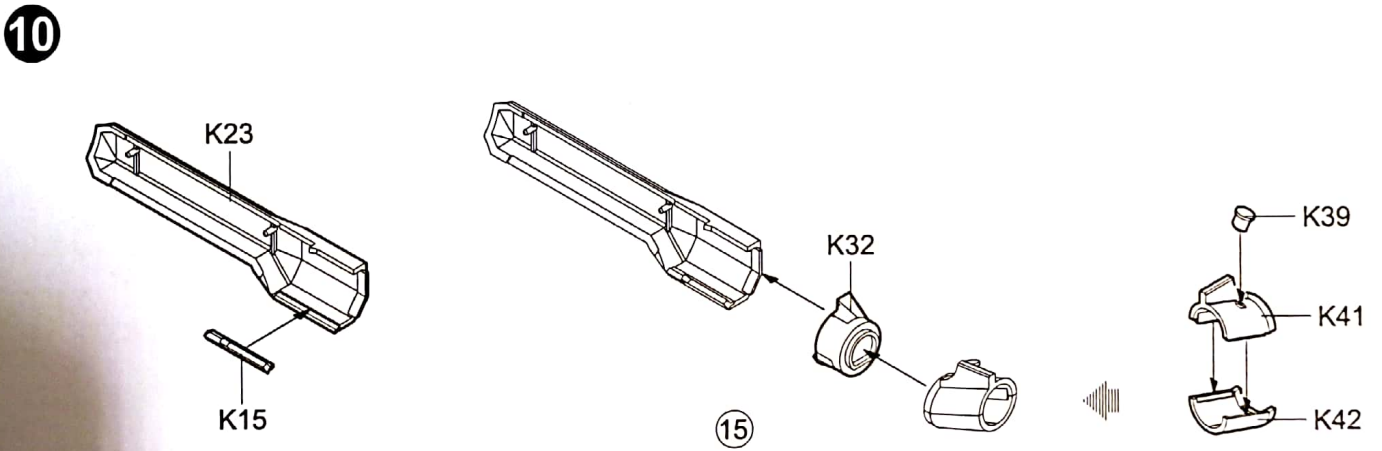
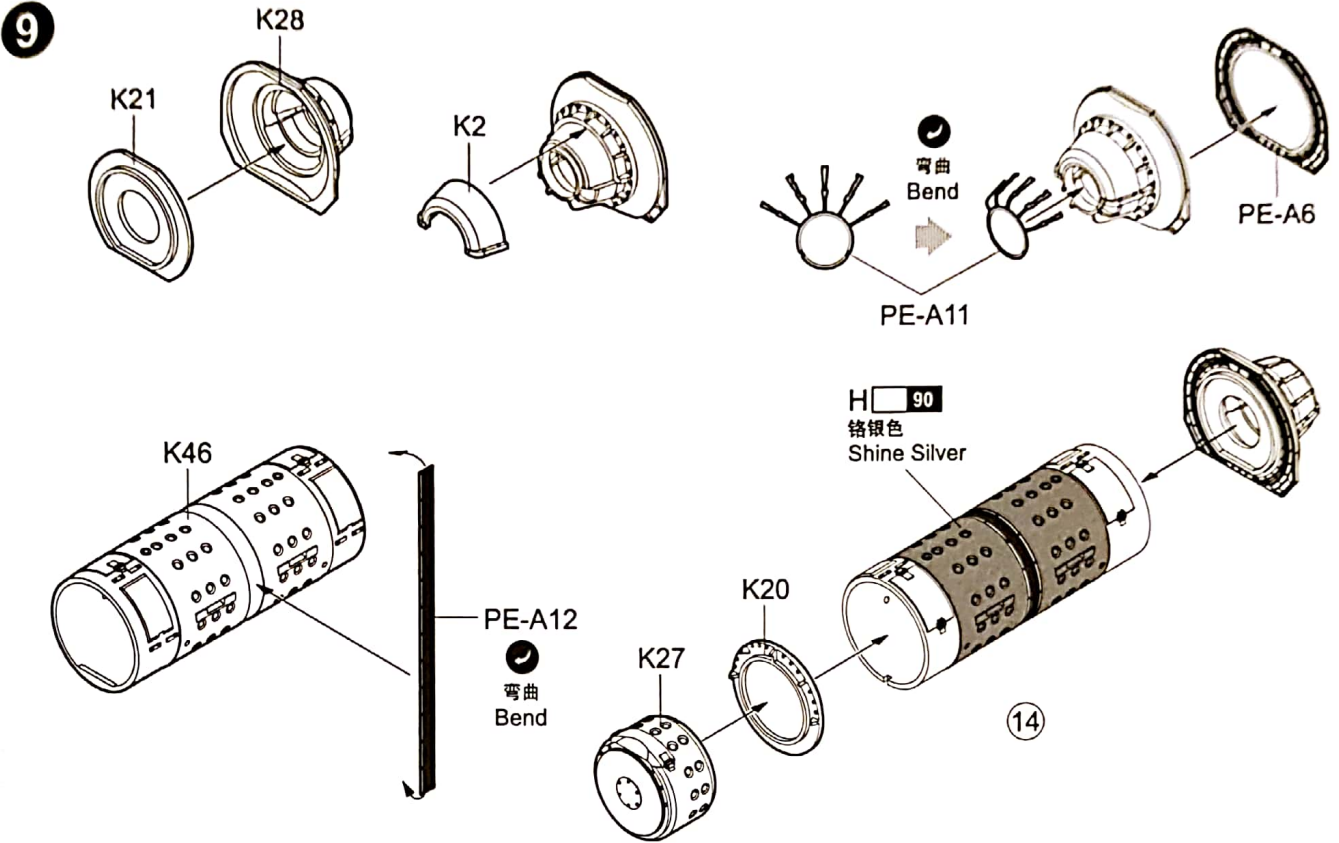
制作6组
Make six

7

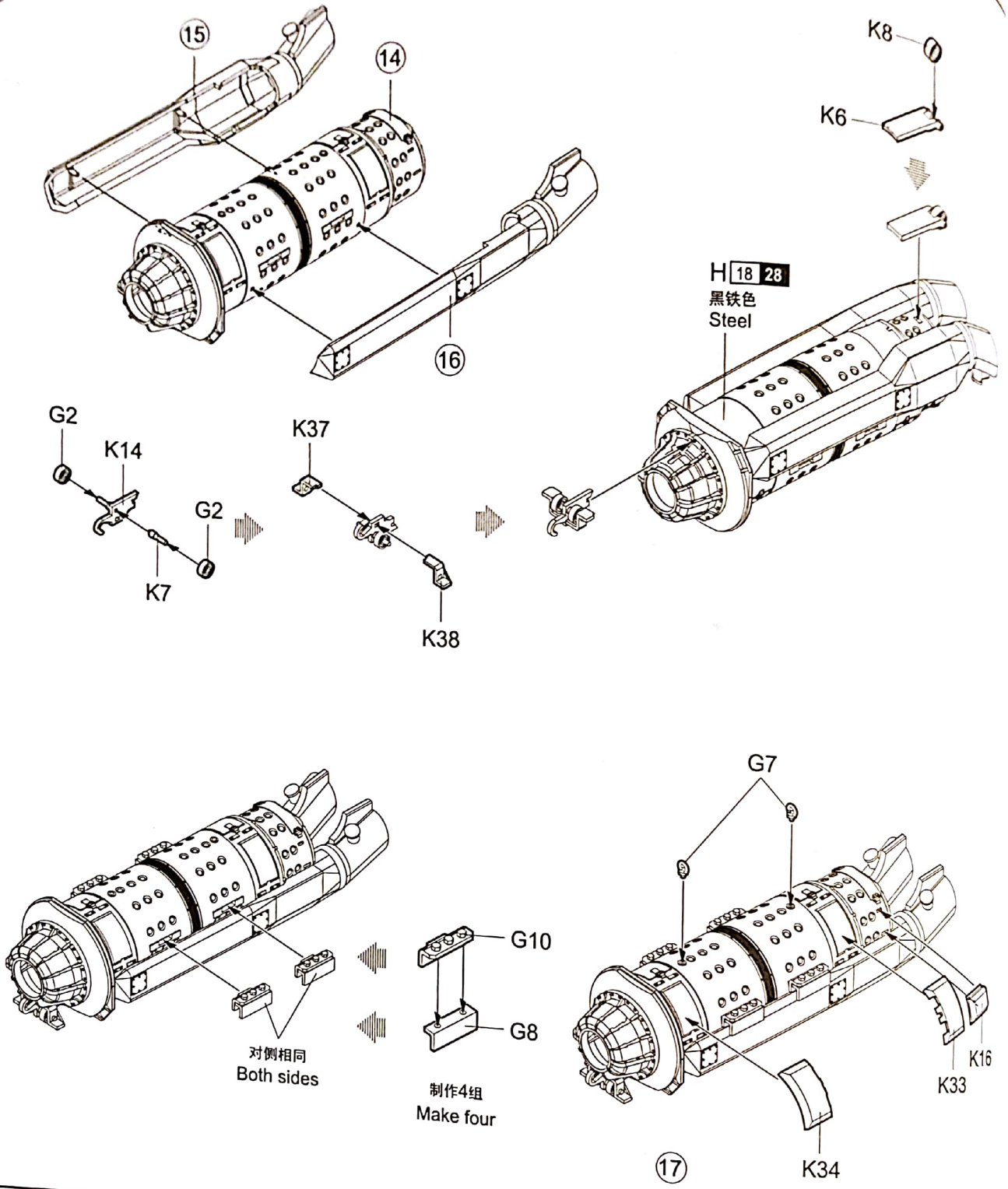


8

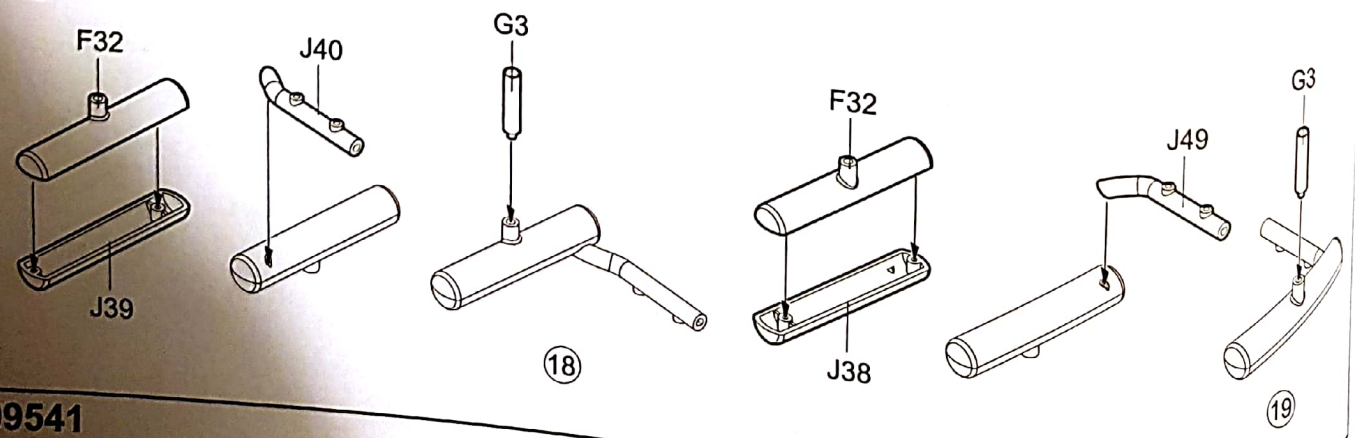




12

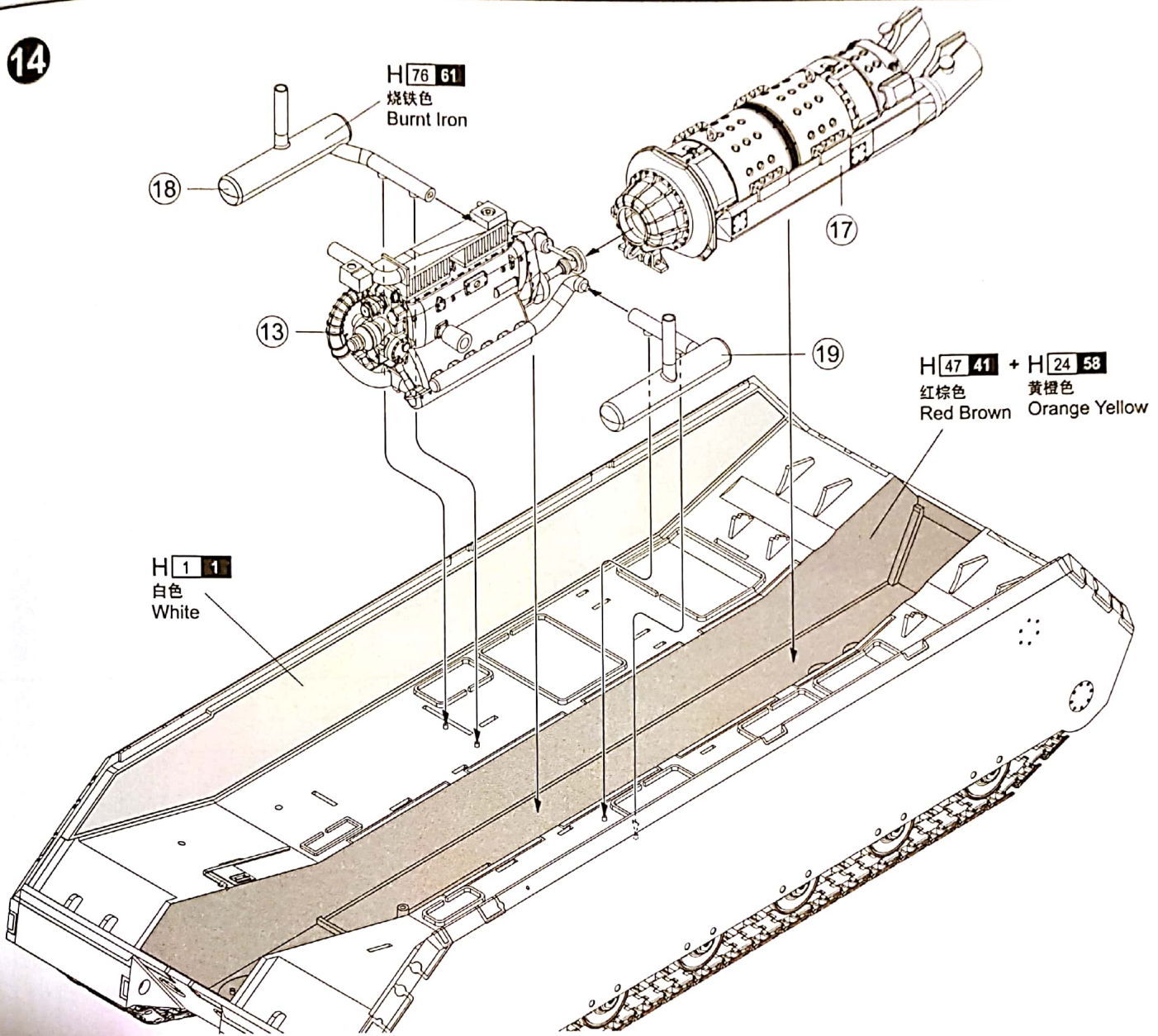


13

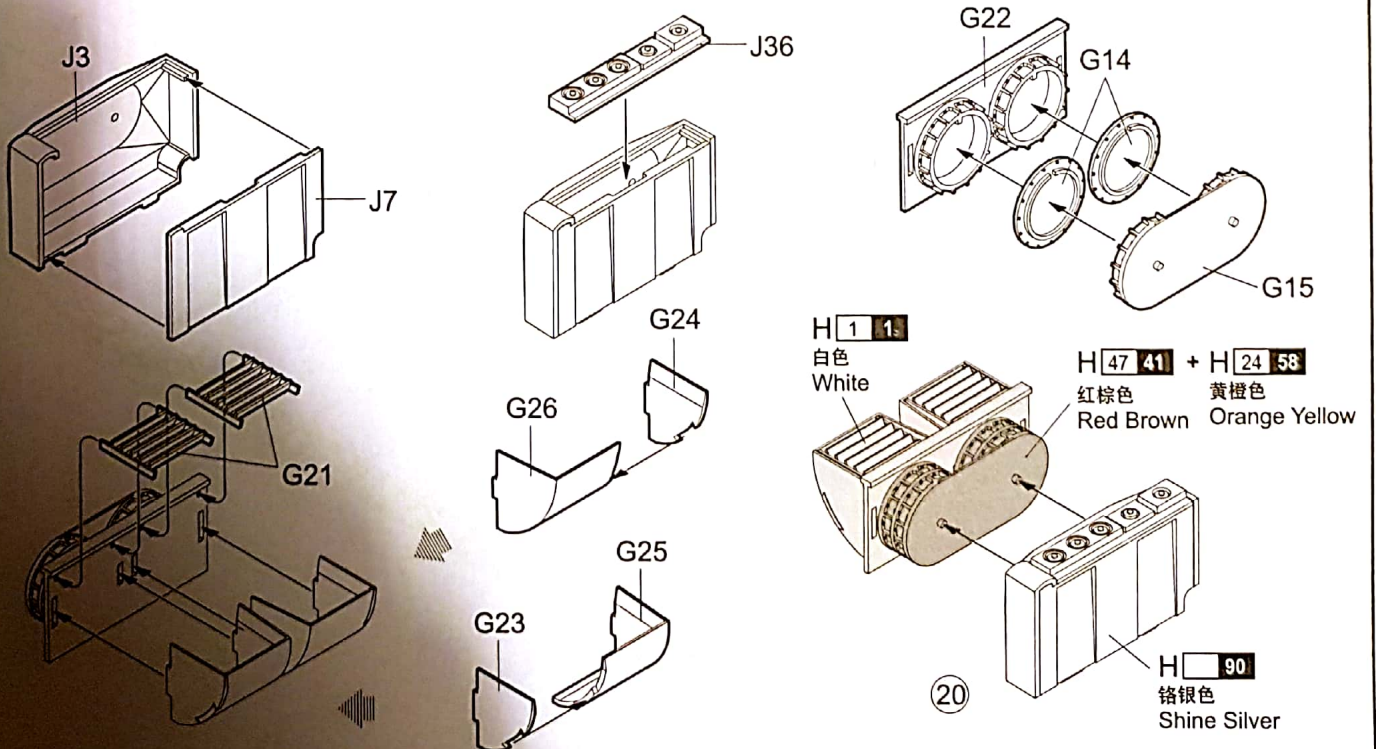


09541

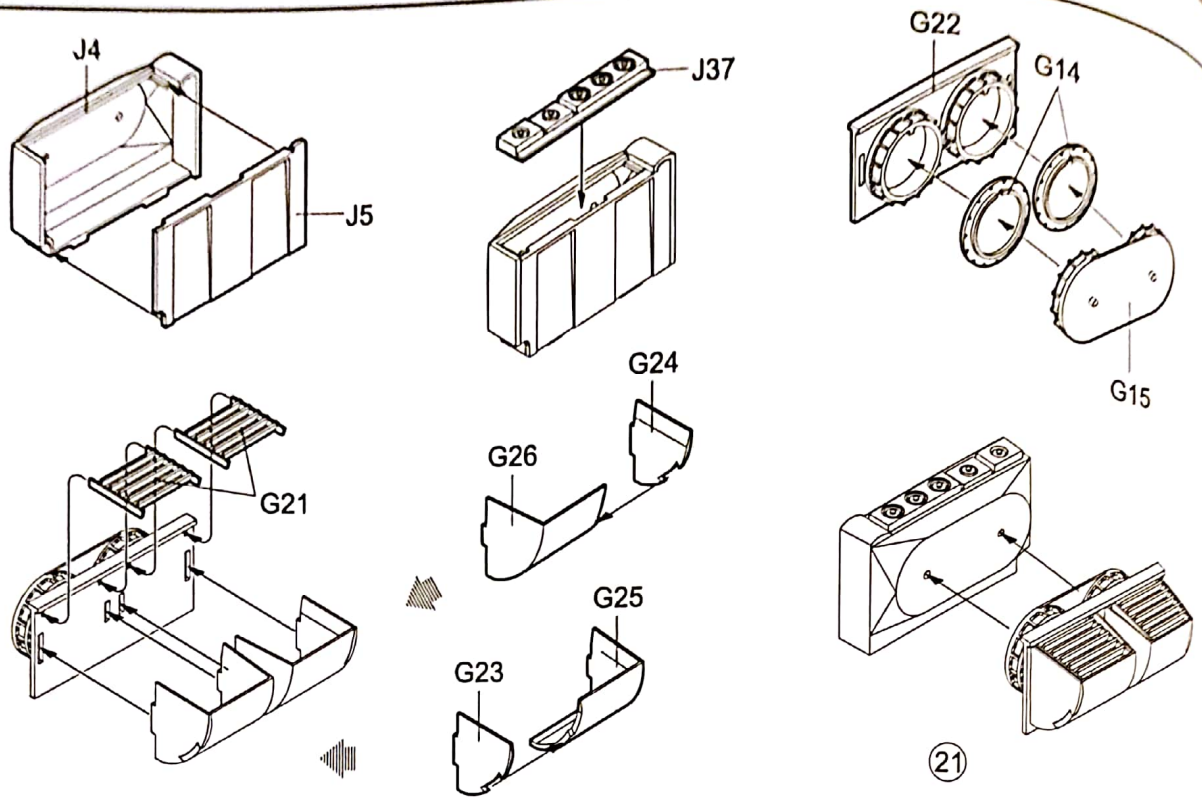
14



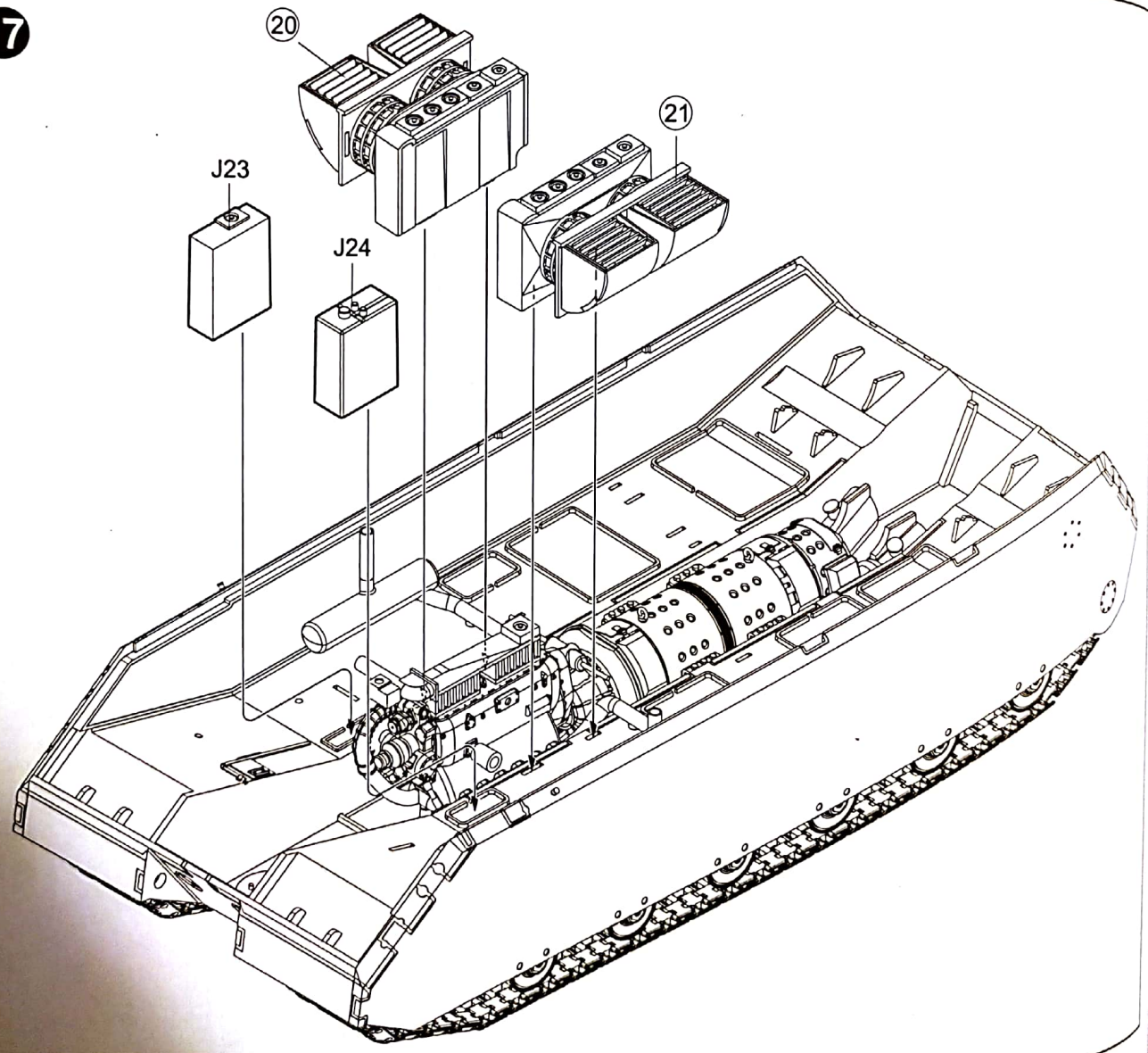
15



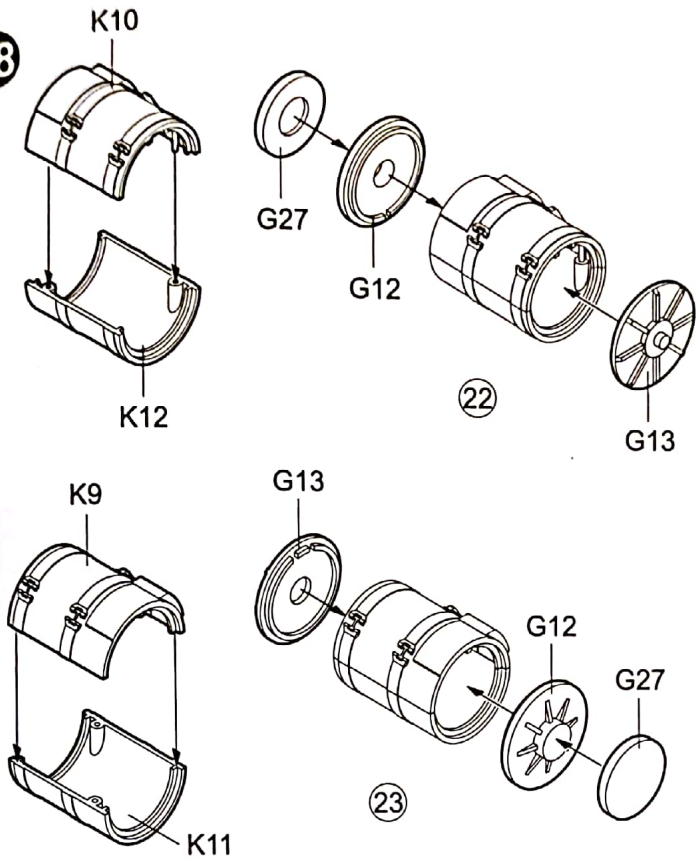
16



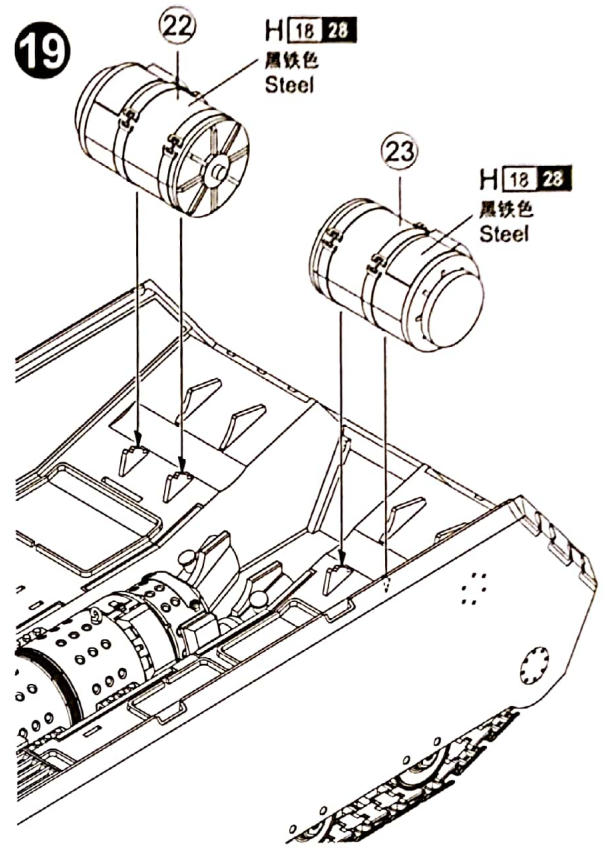
17



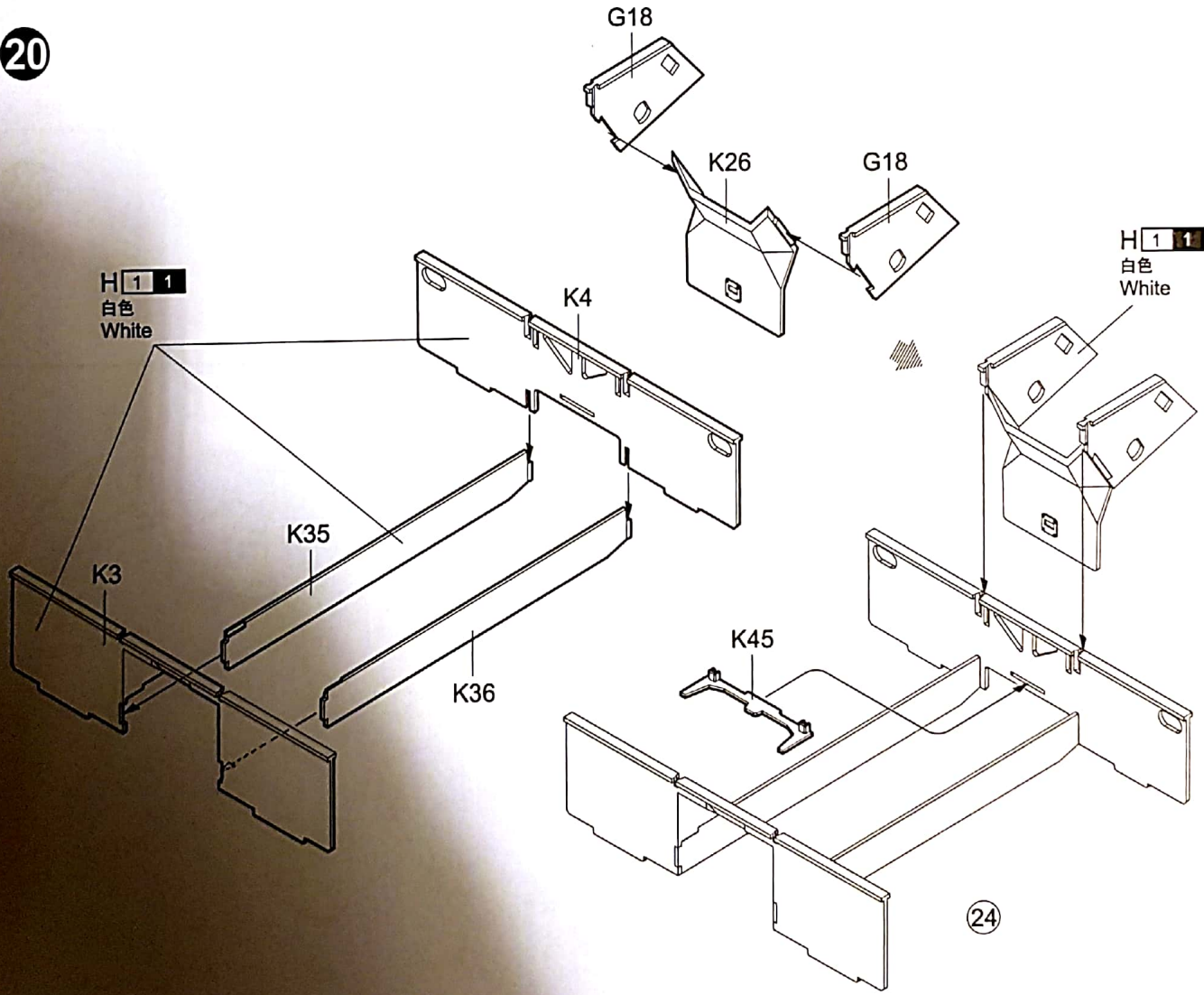
18



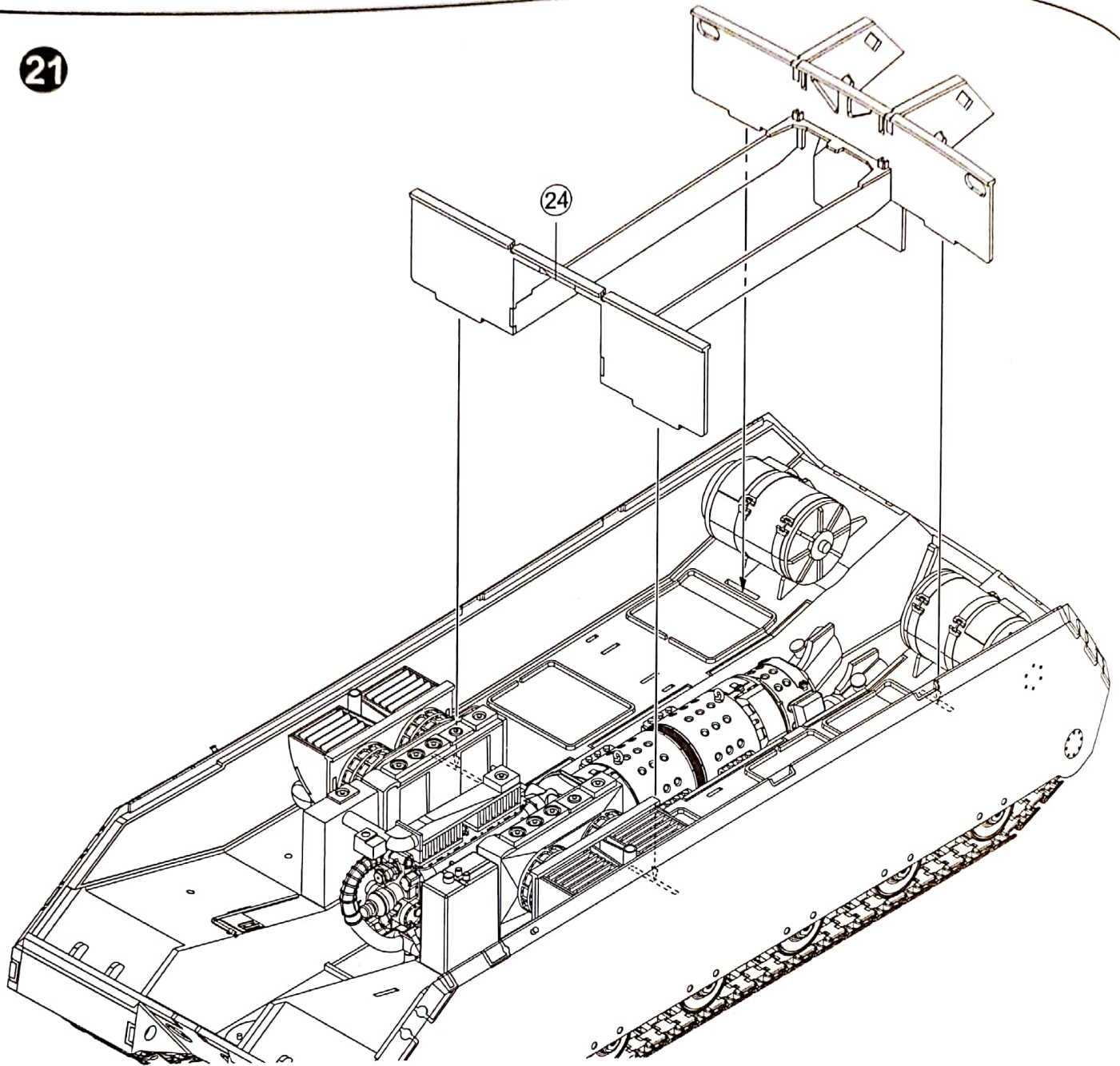
19



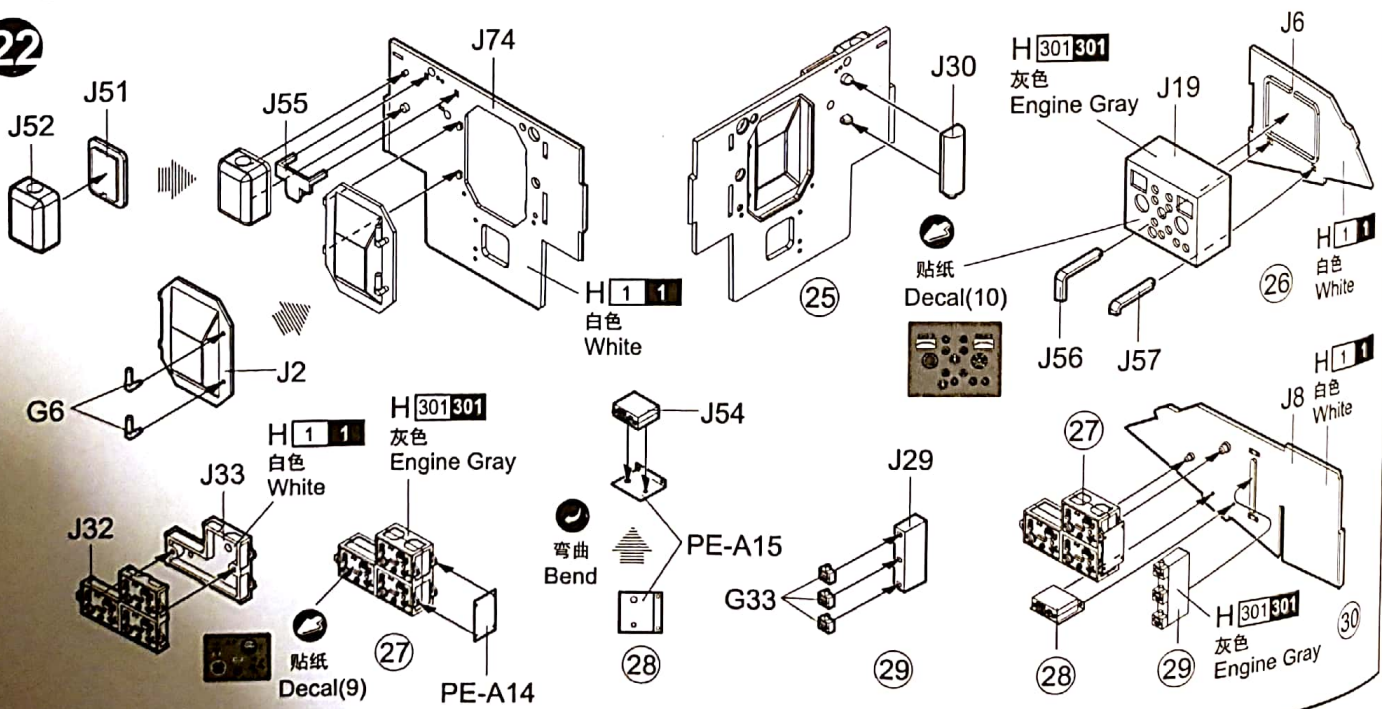
20



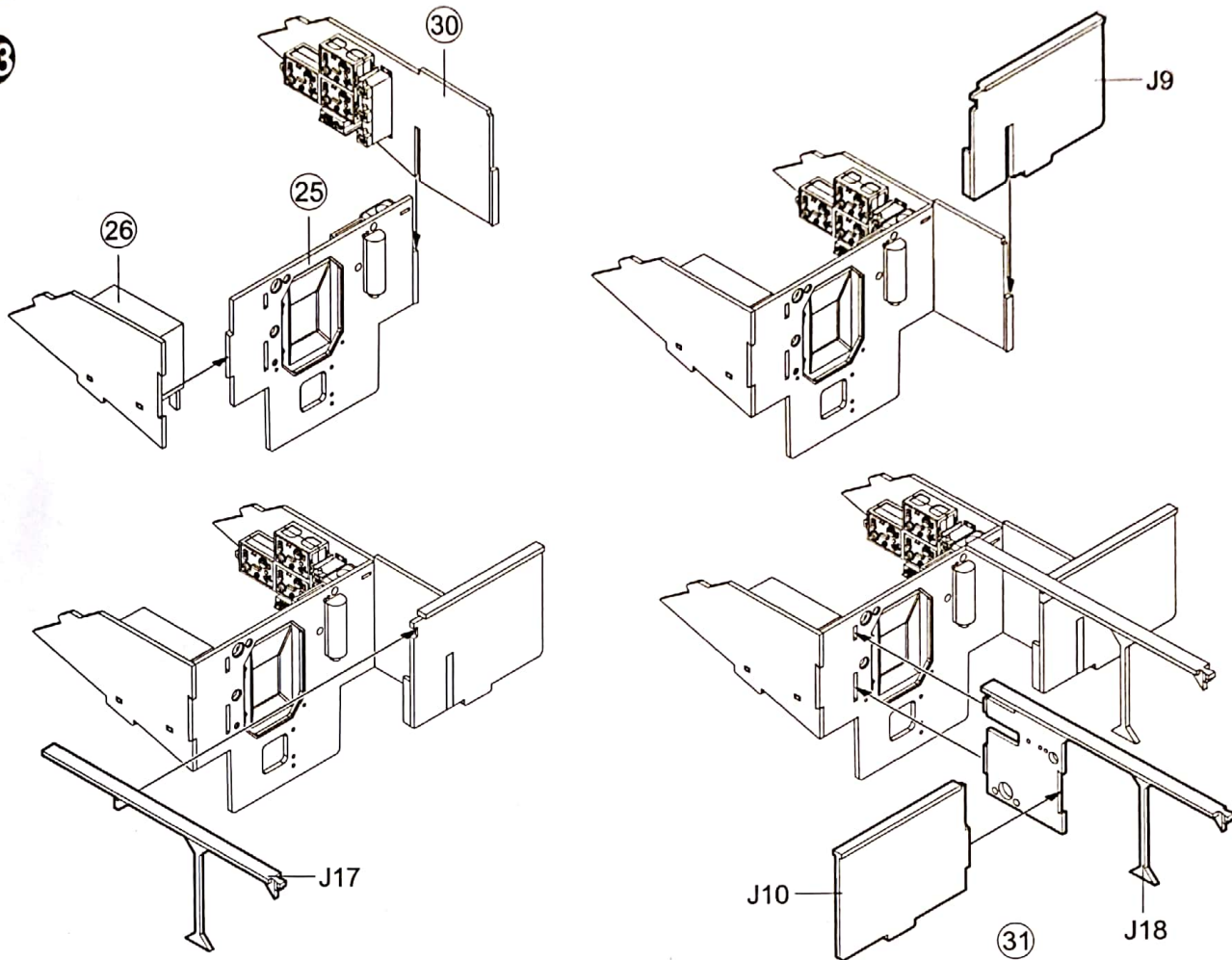
21



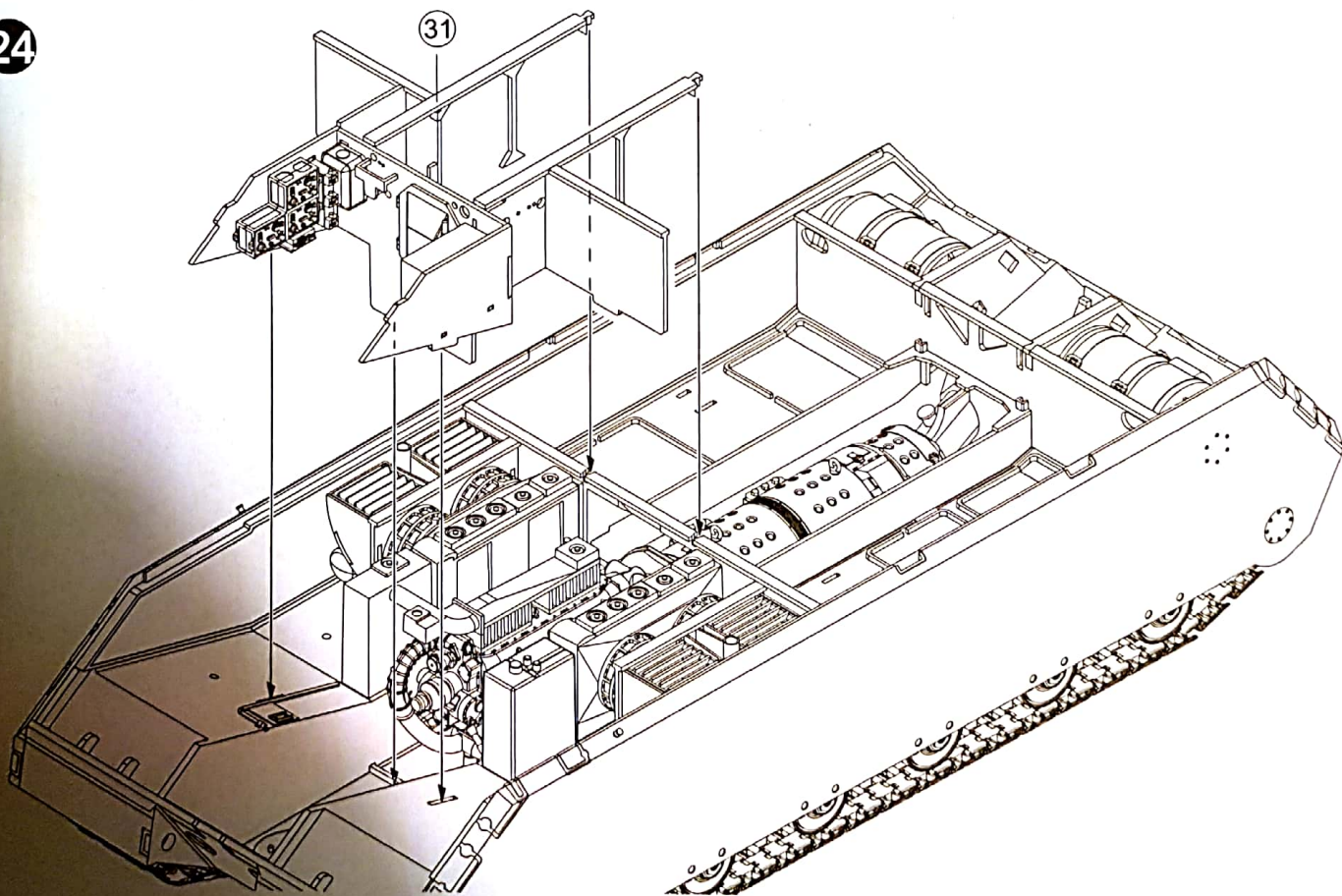
22



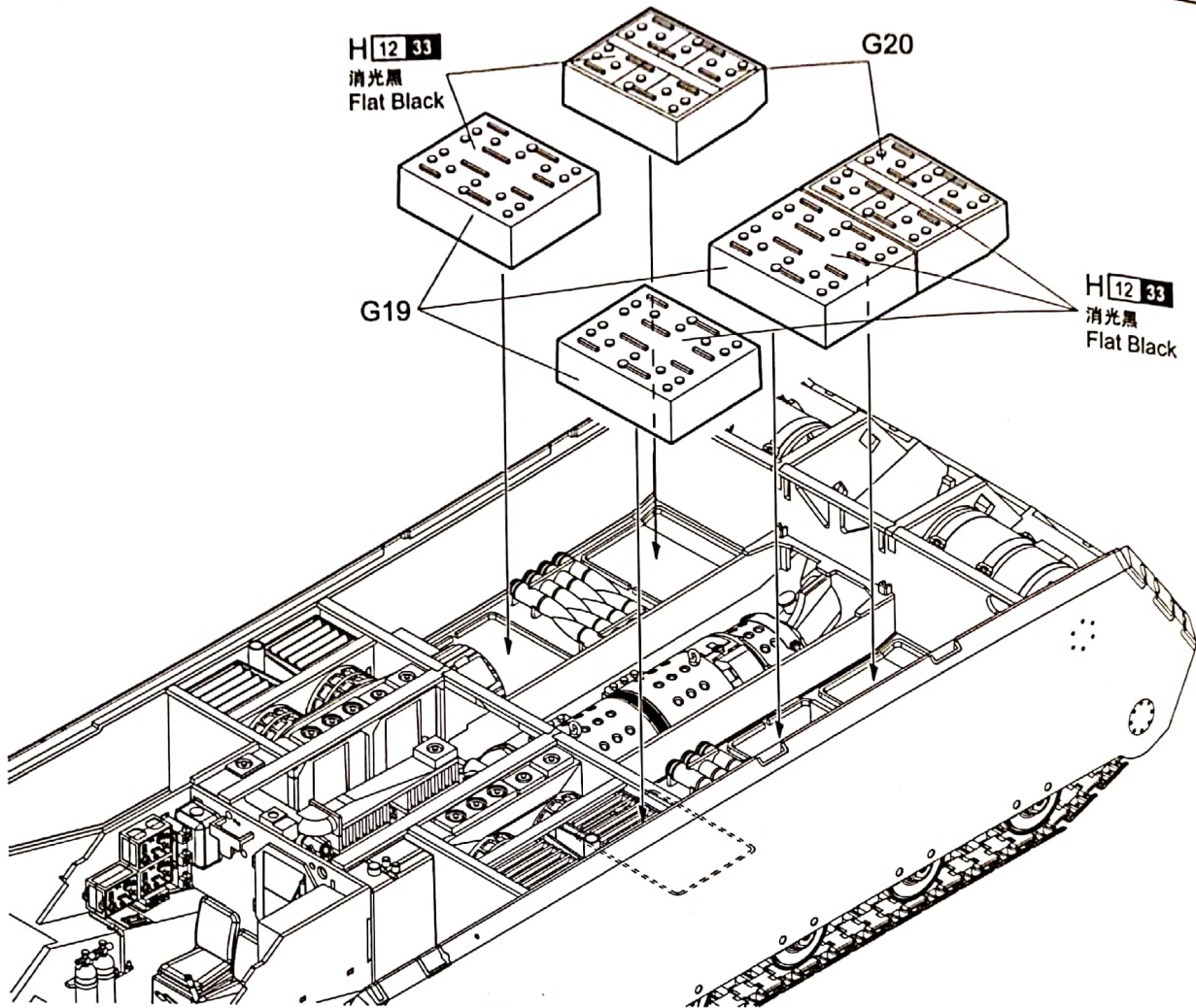
23



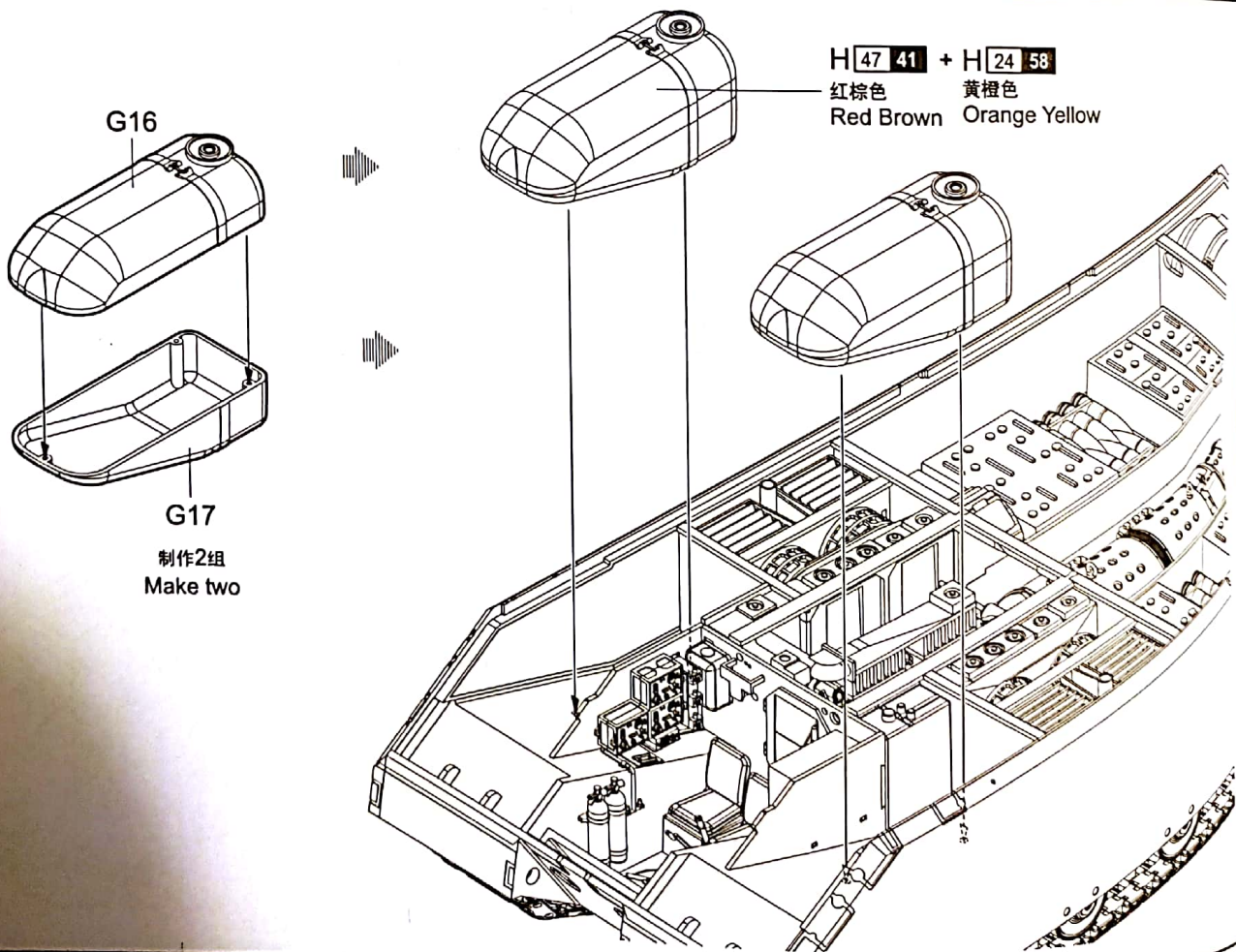
24

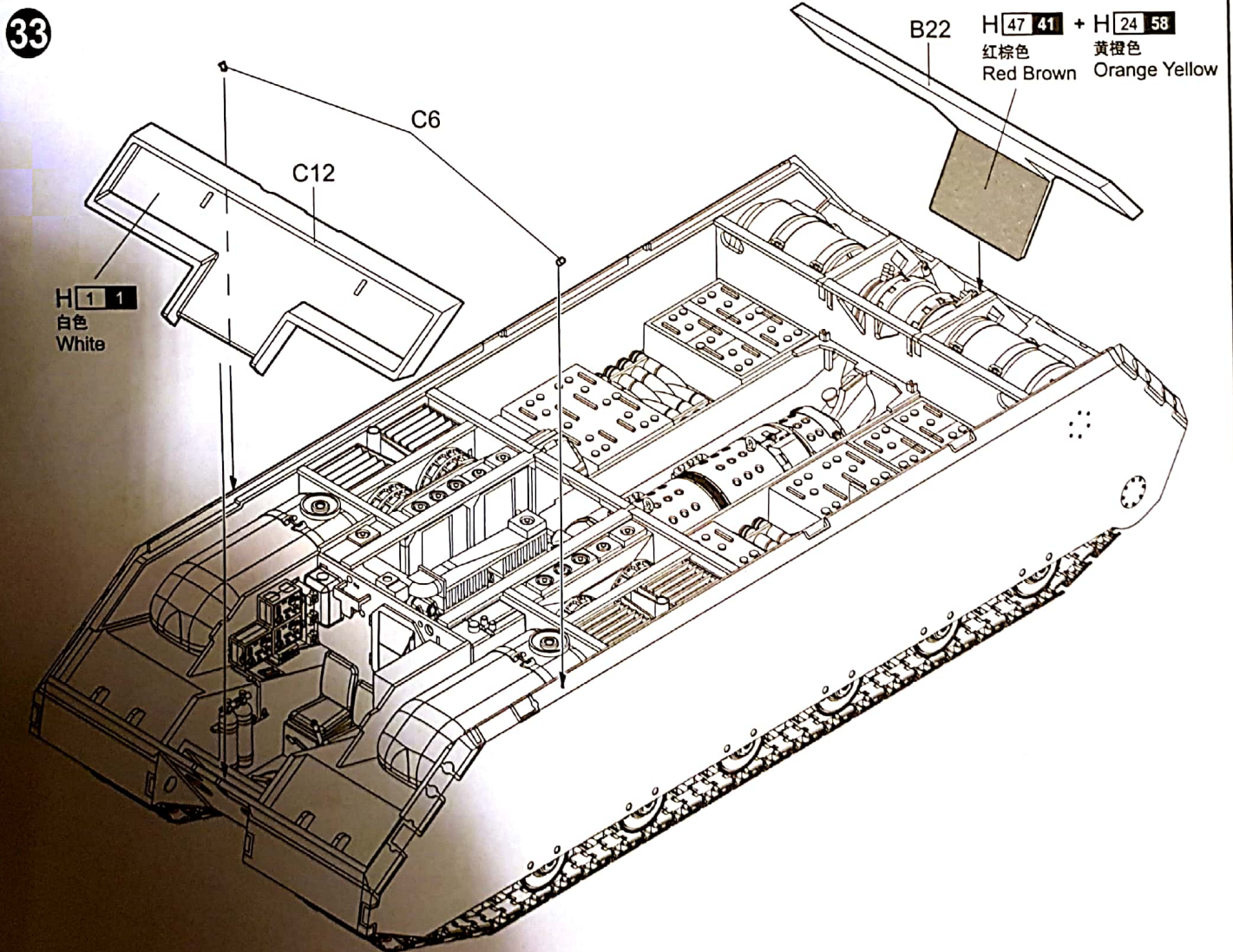
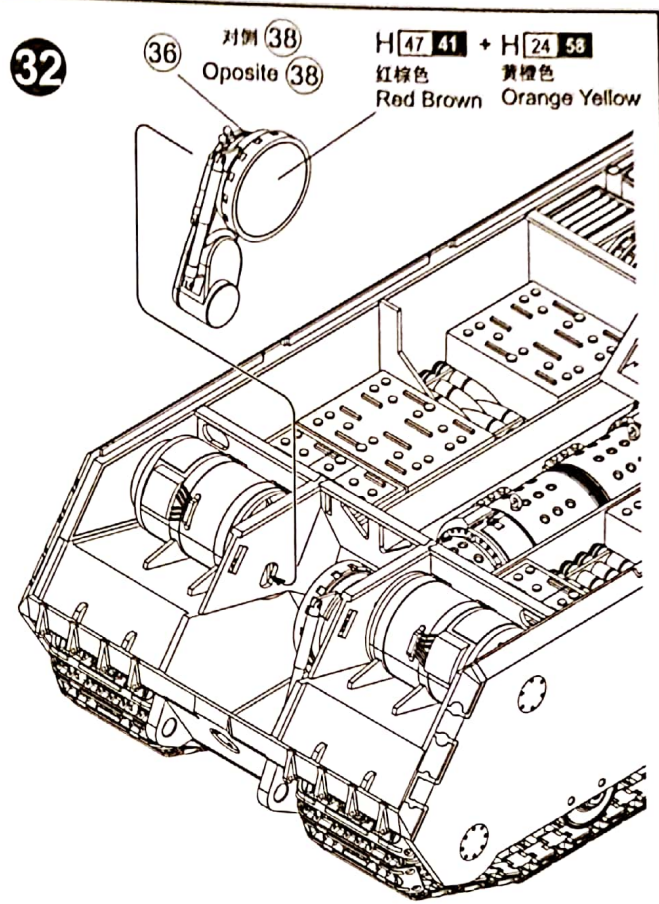
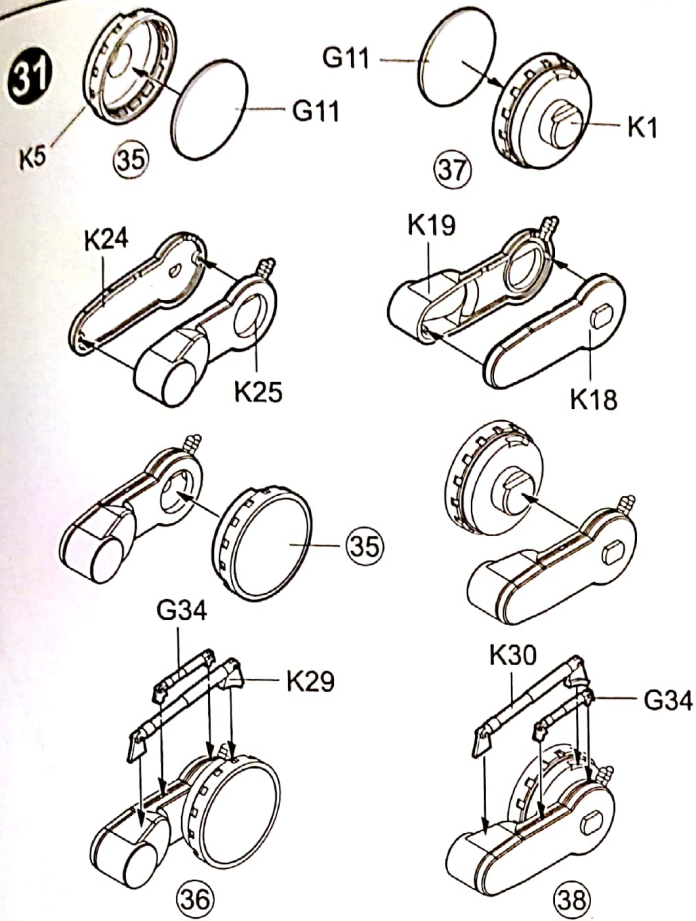


29

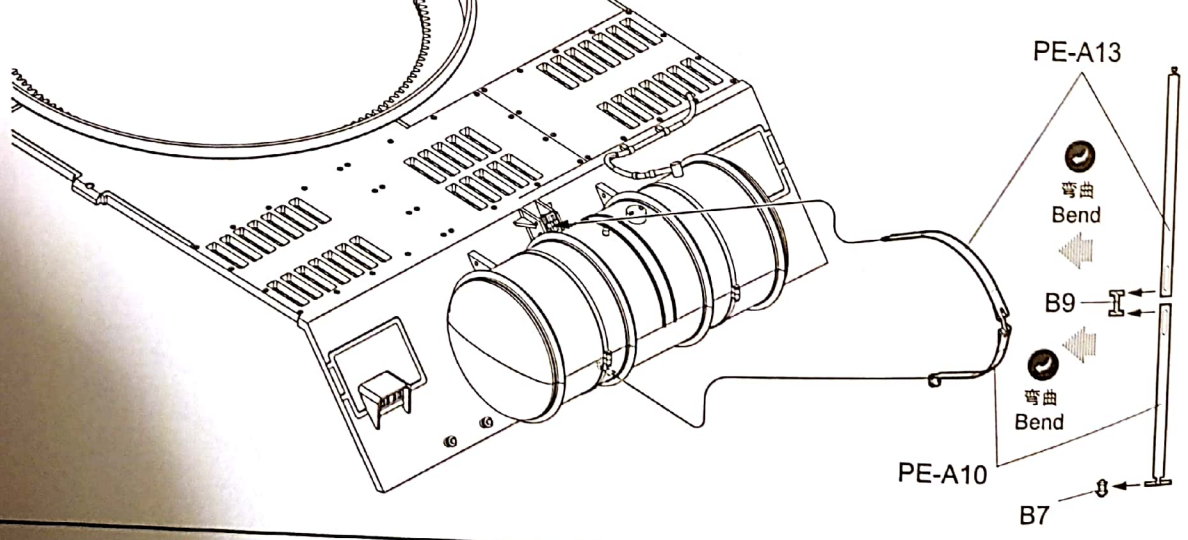
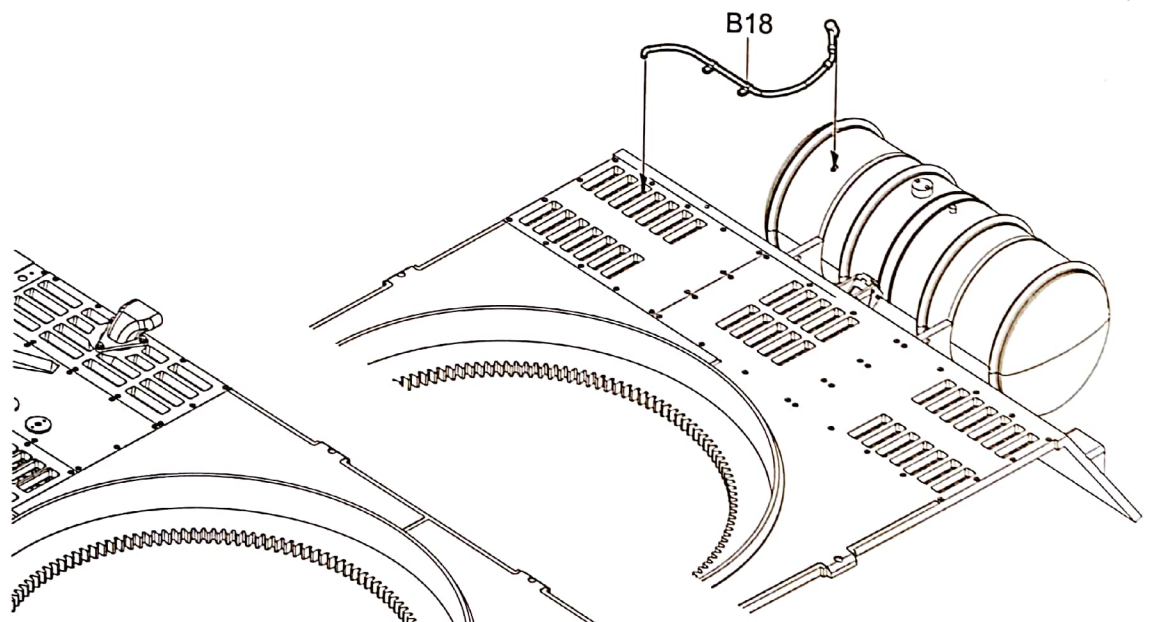
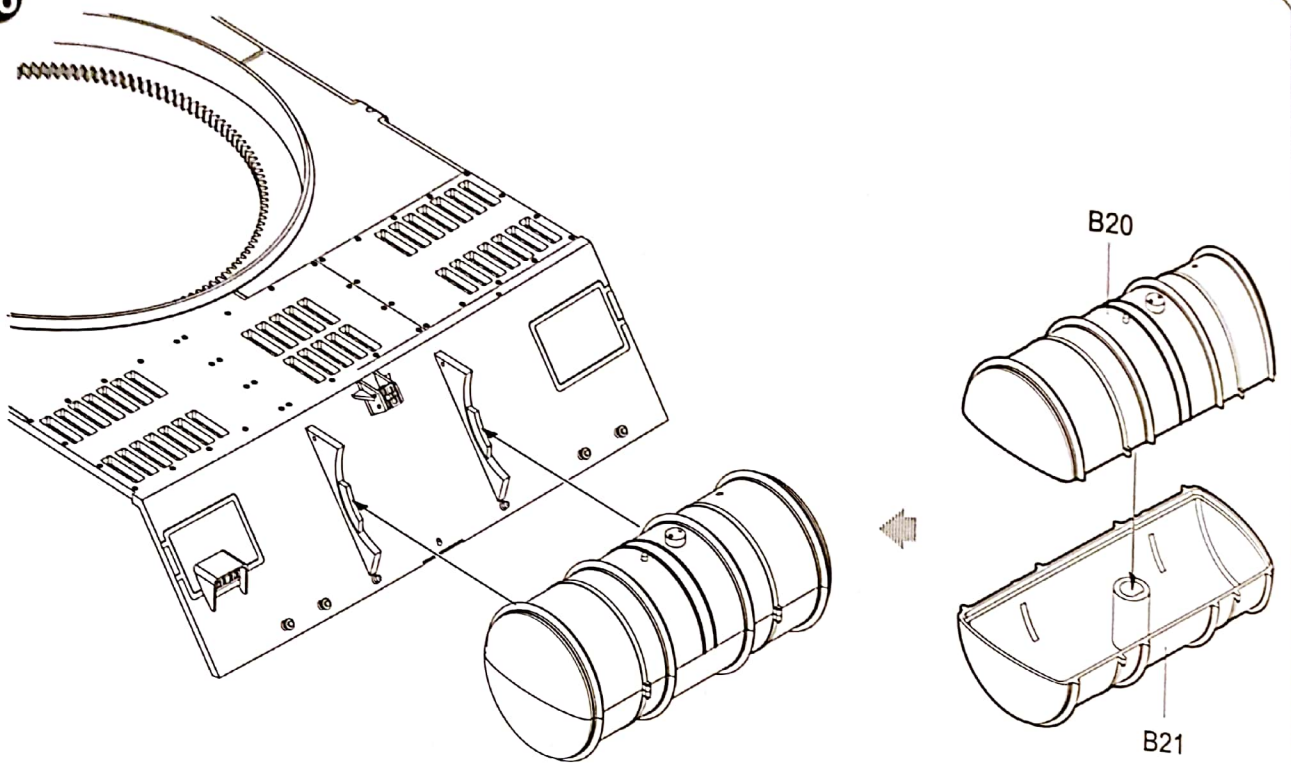


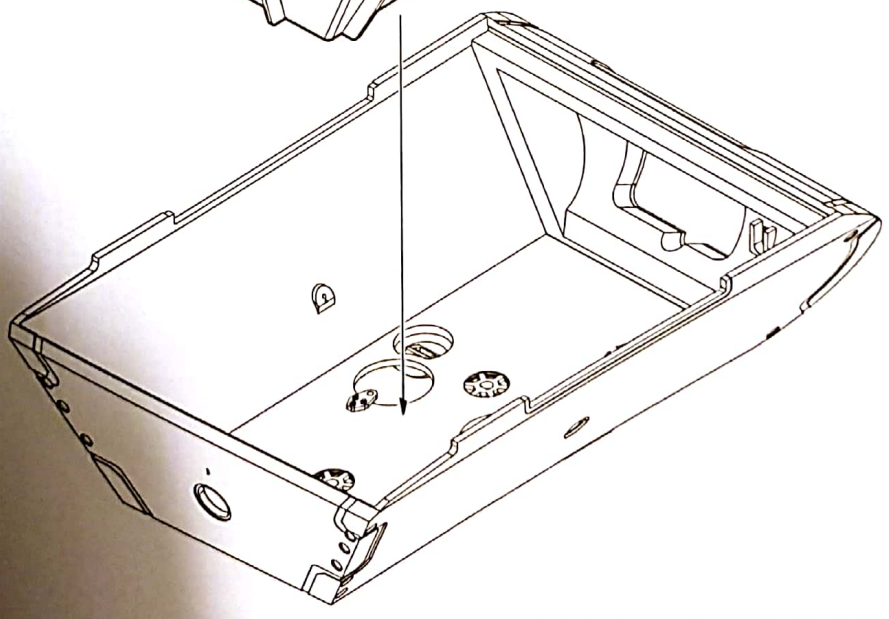
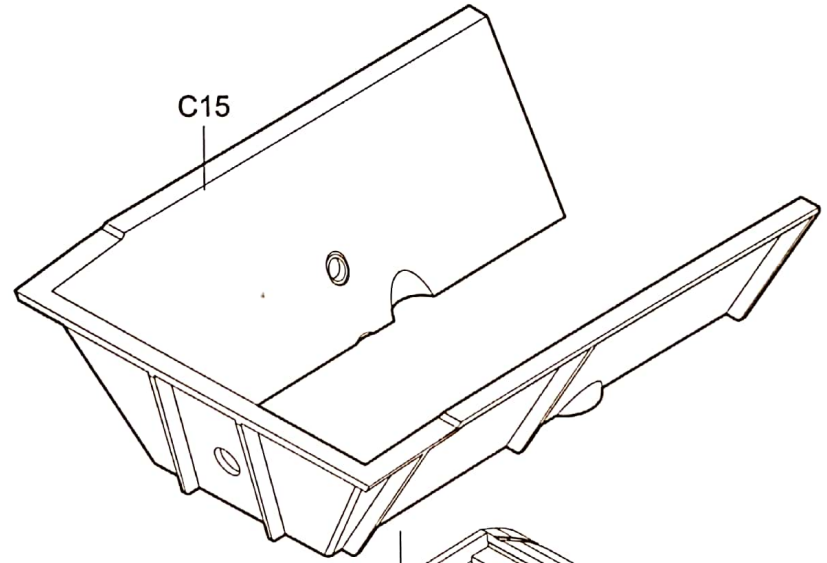
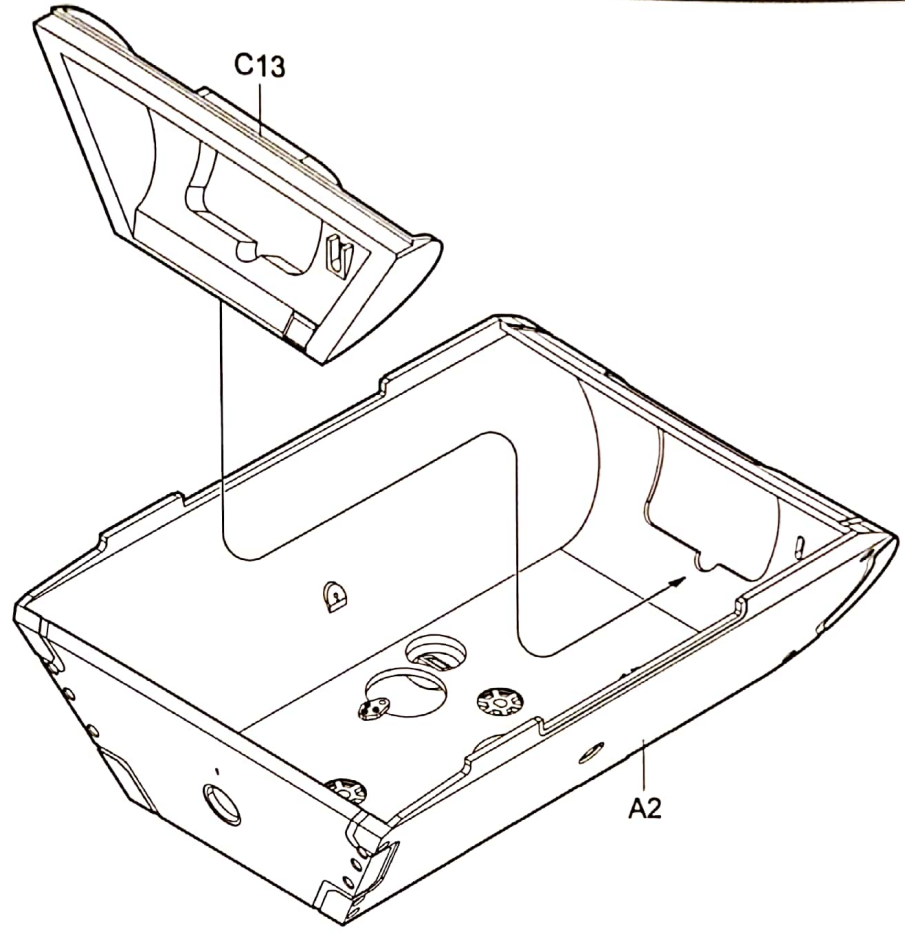
30



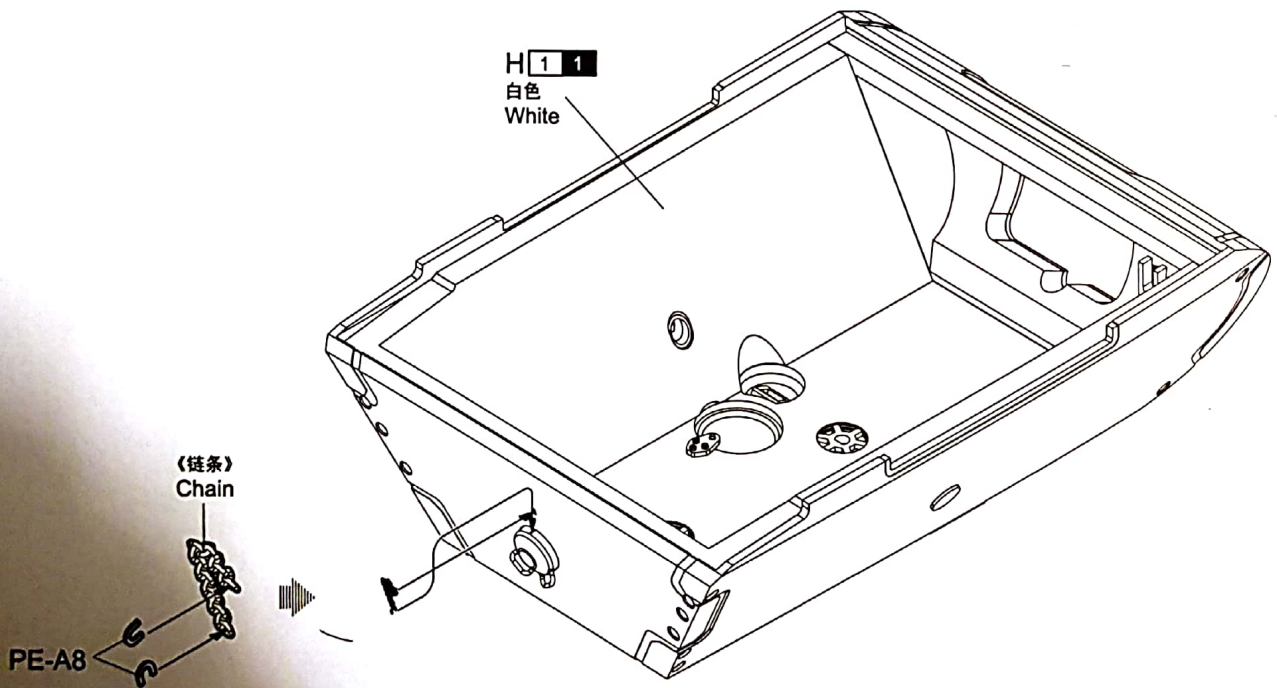
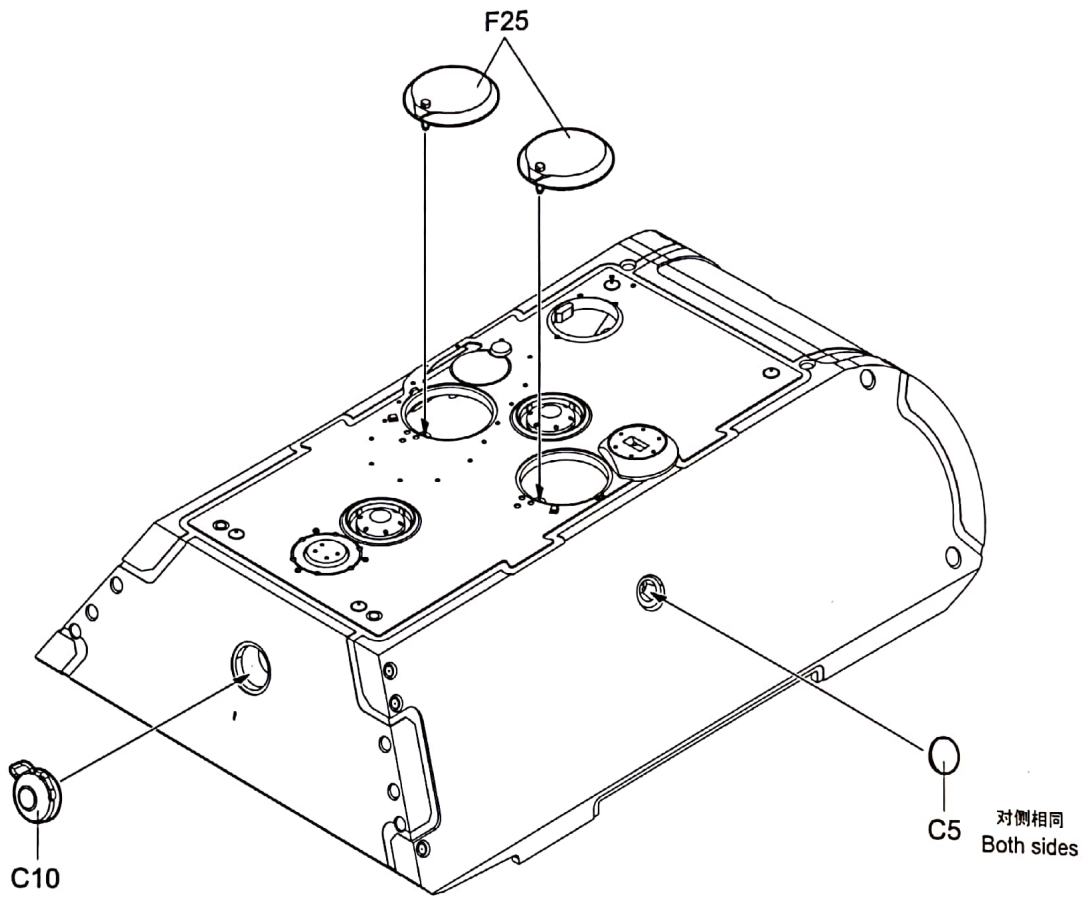


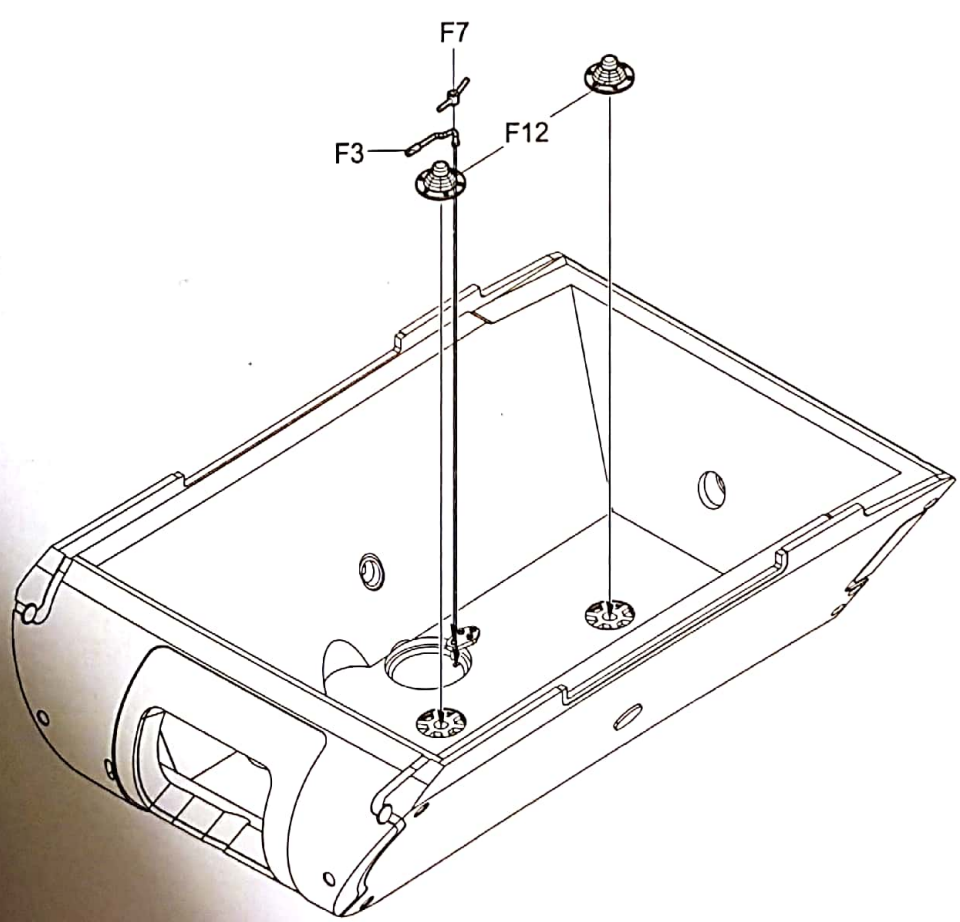
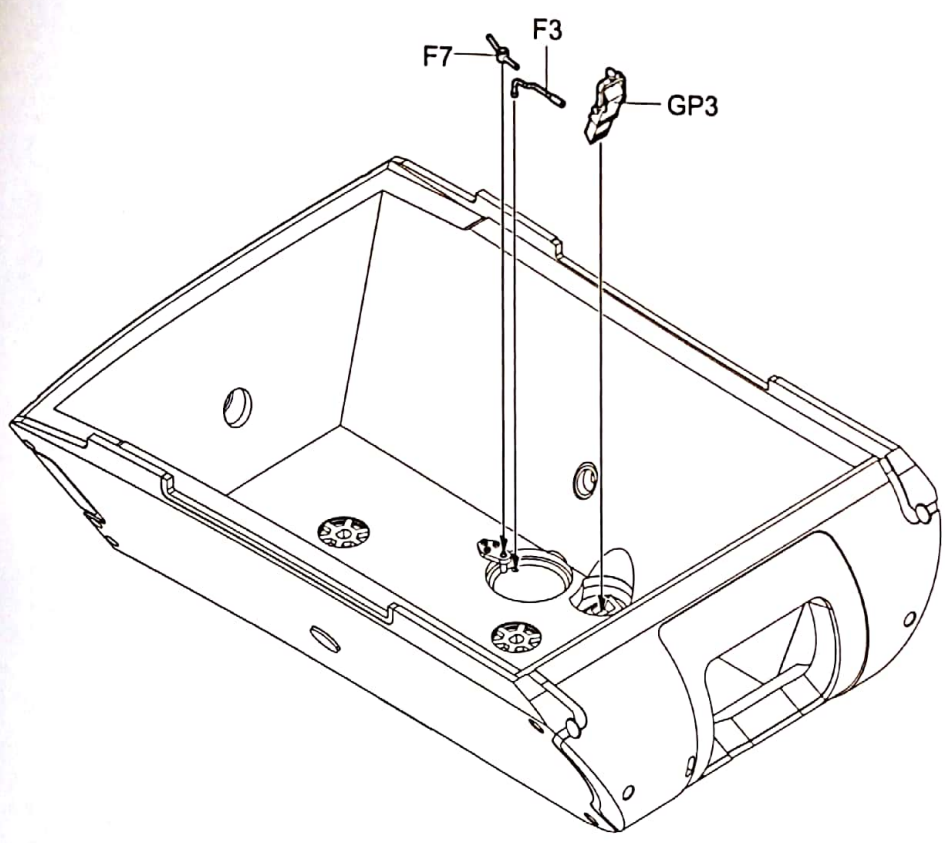
36



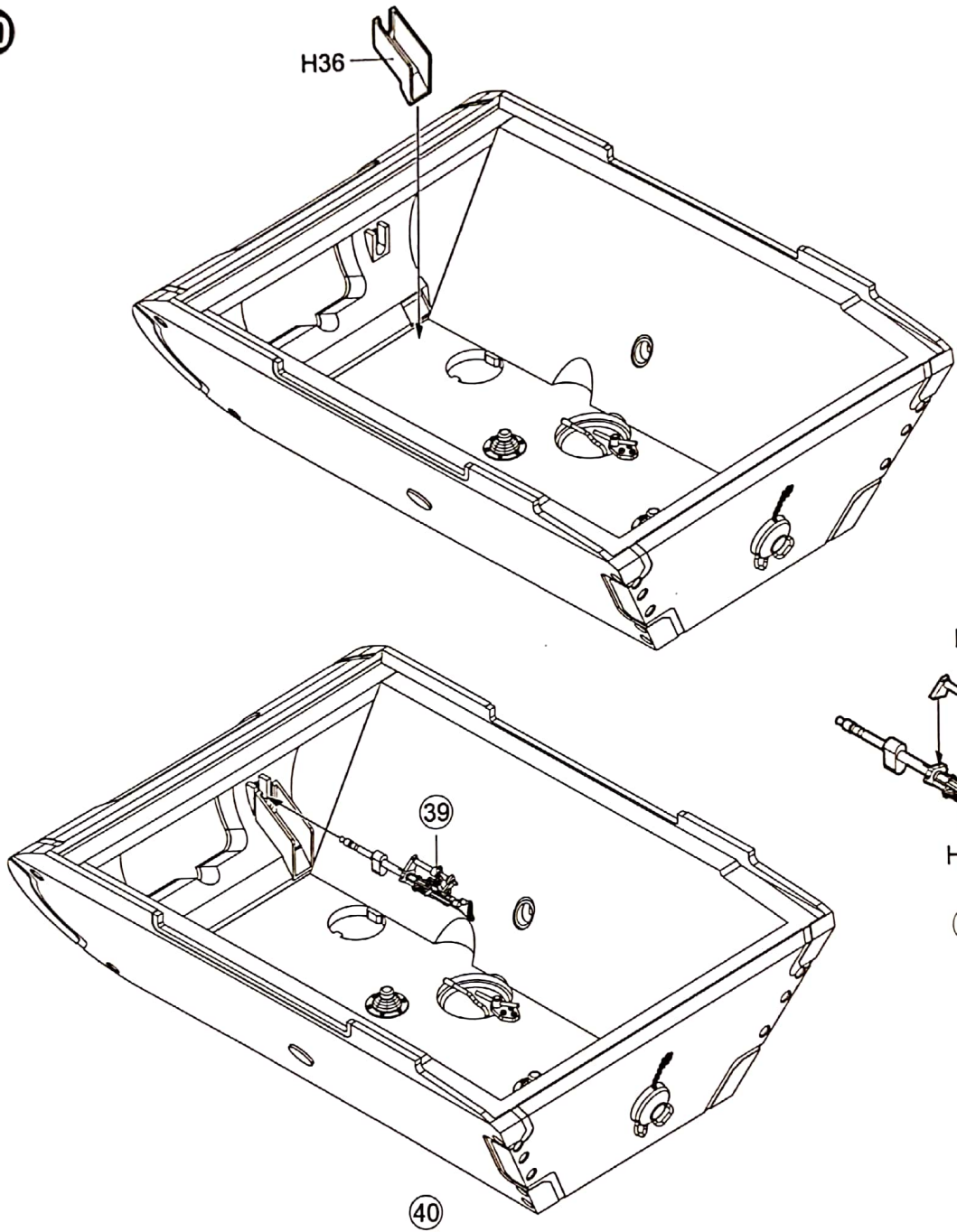


38

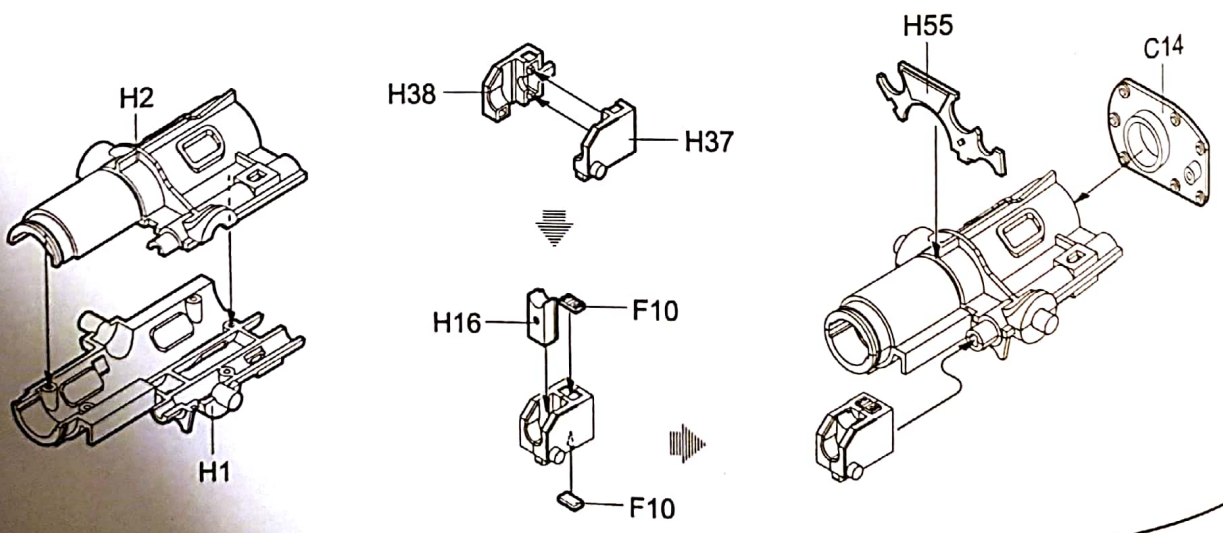




40



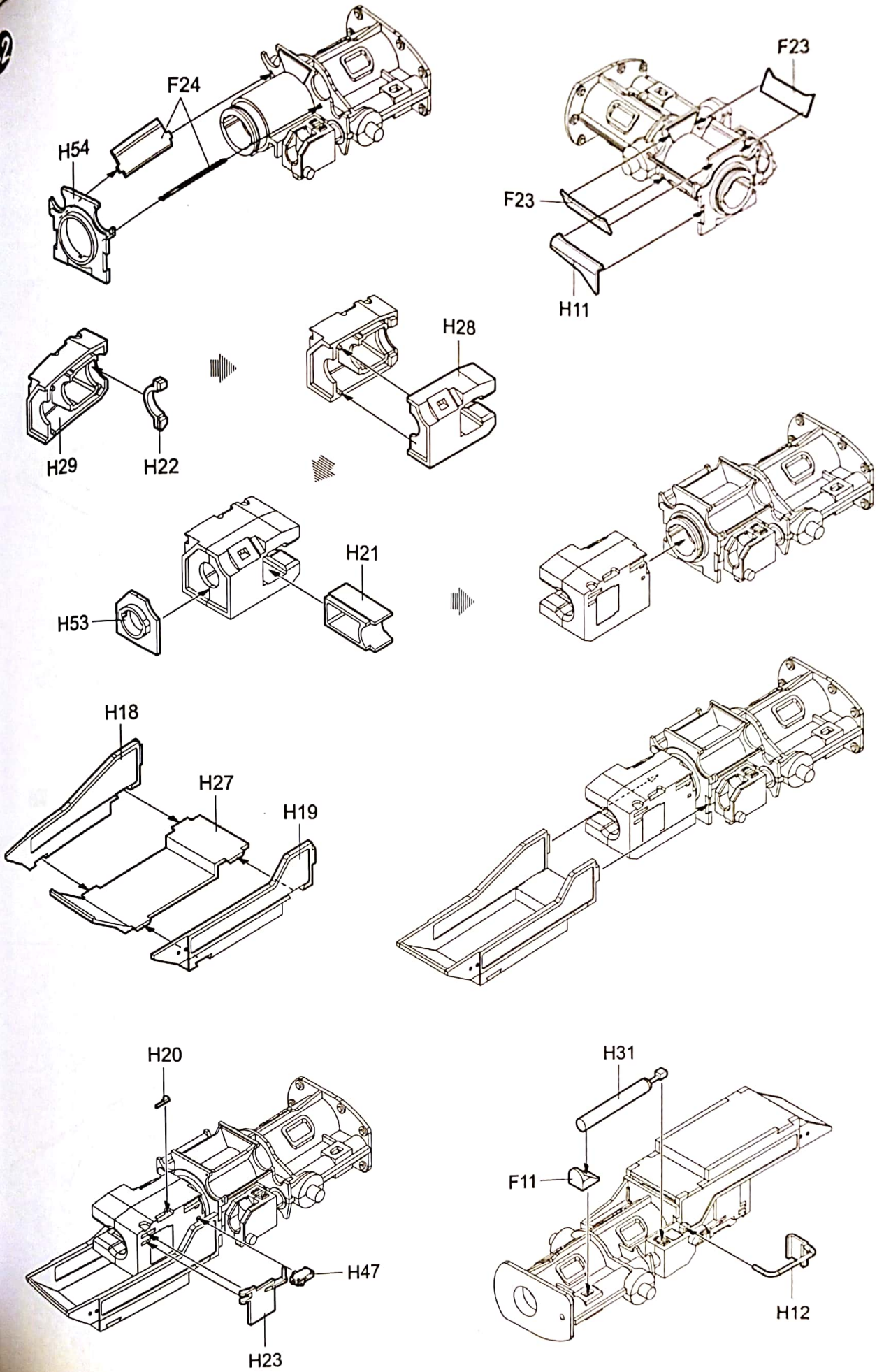
41



09541

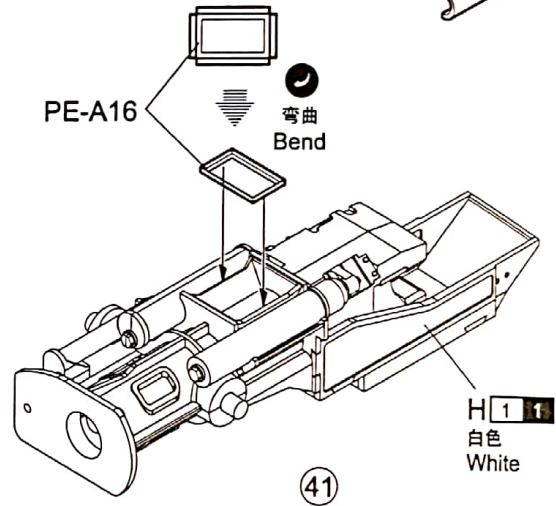
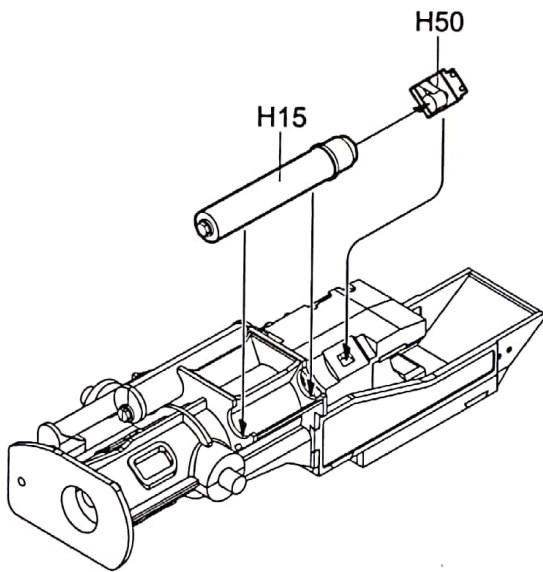
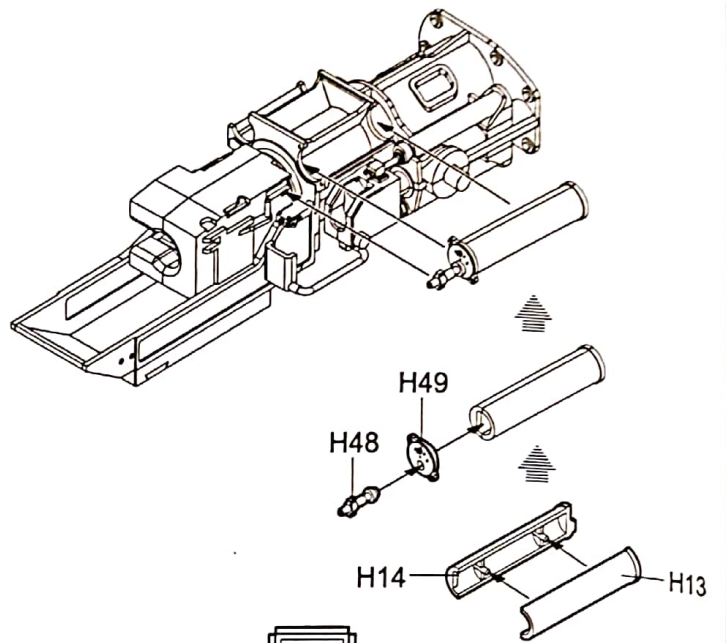
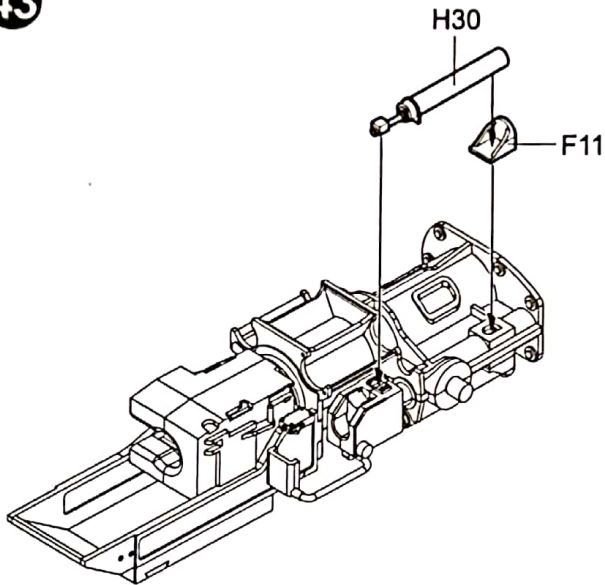
28

12

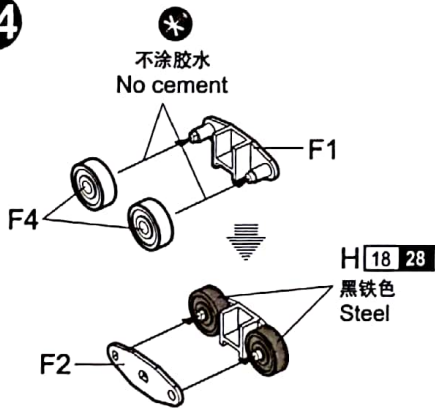


09541

43

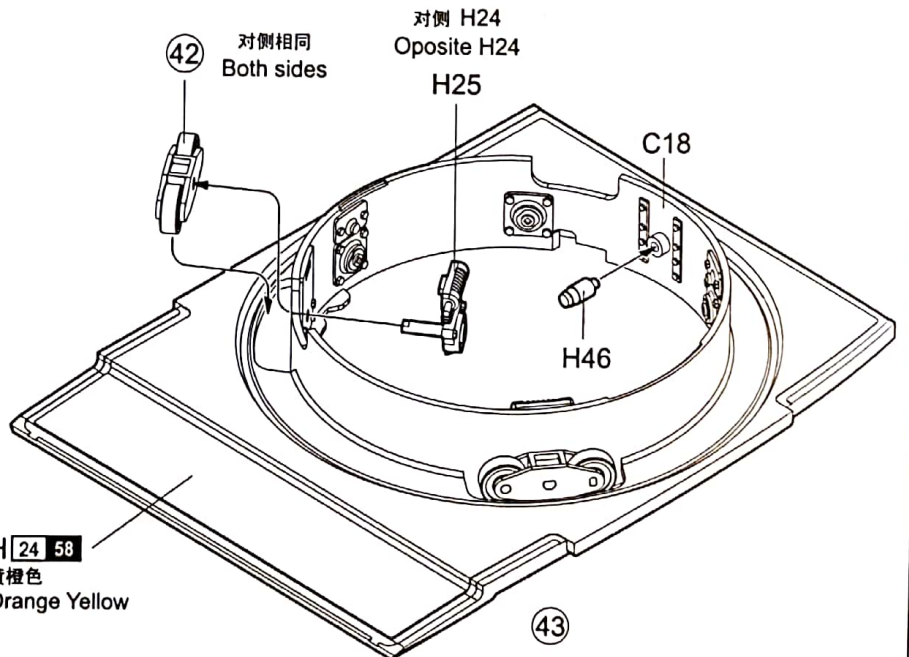


44



42
制作2组
Make two

H47 41 + H24 58
红棕色 黄橙色
Red Brown Orange Yellow



45

H 12 33
消光黑
Flat Black

H26
H9

H10

44

H3
H34

H39
H40

H8
H32
H33
45

44
C3

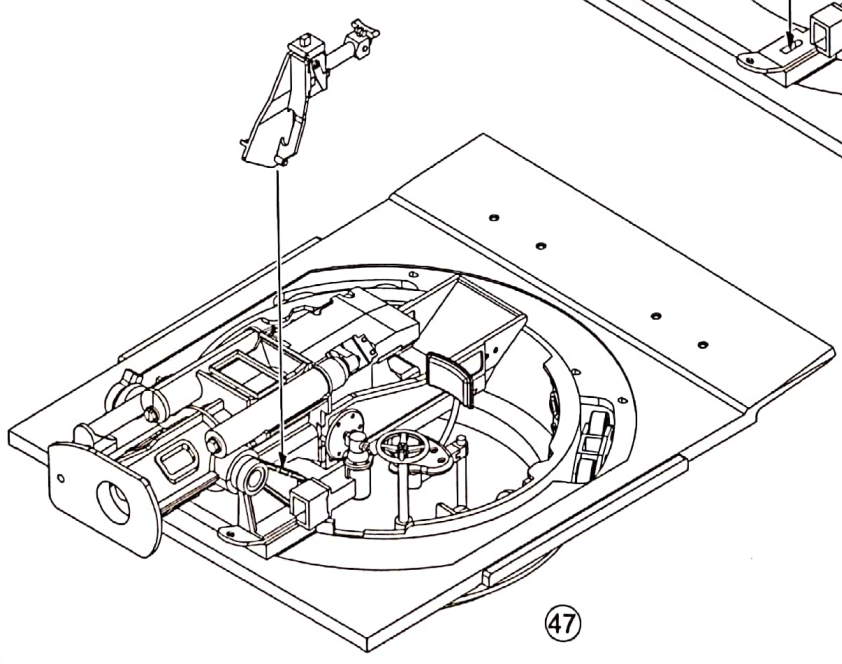
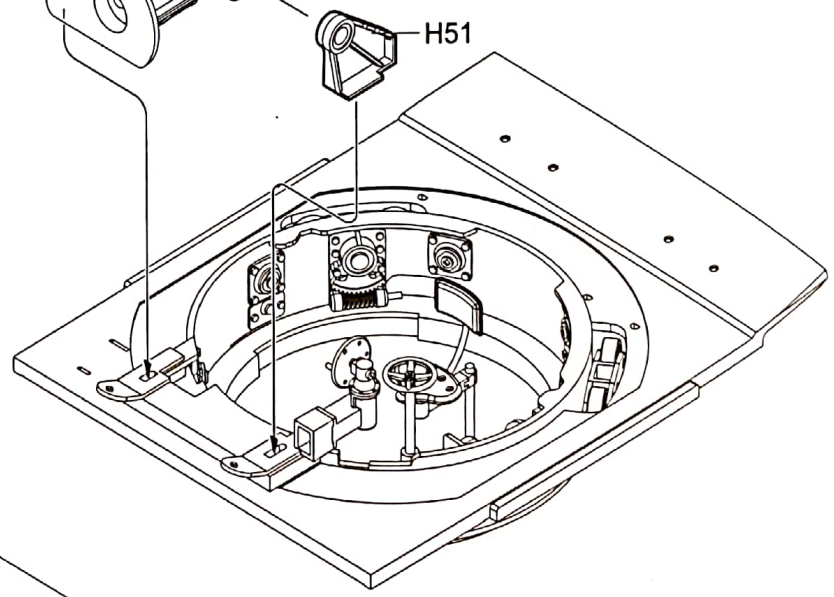
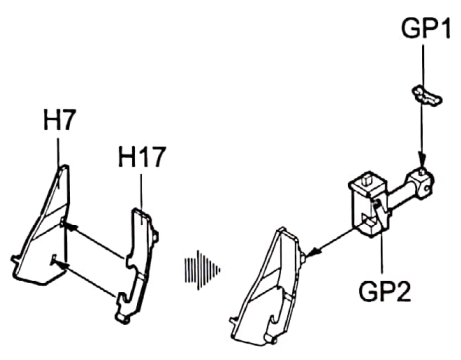
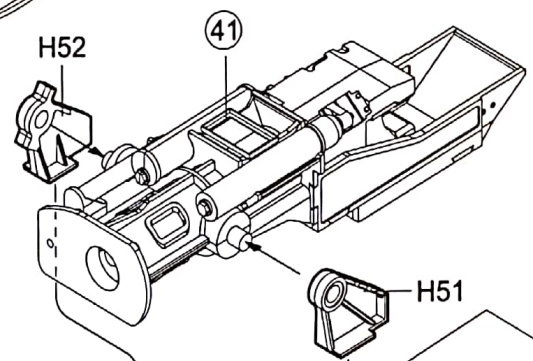
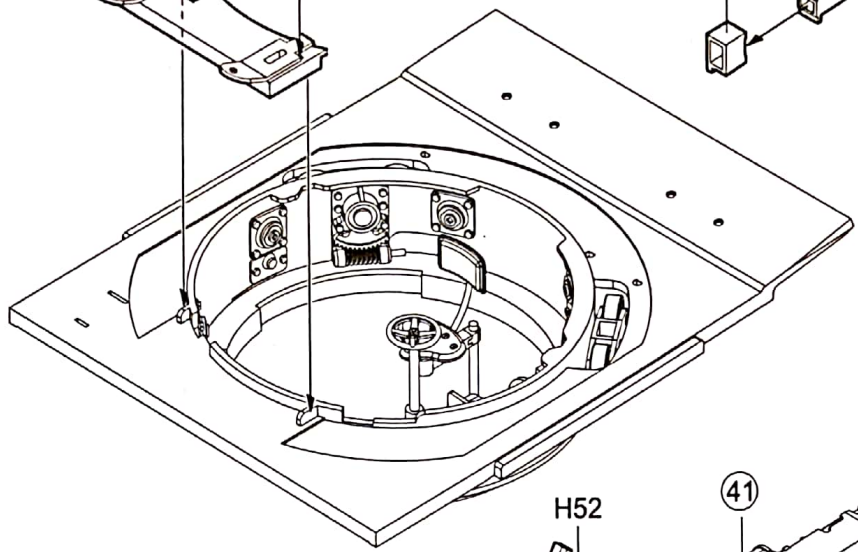
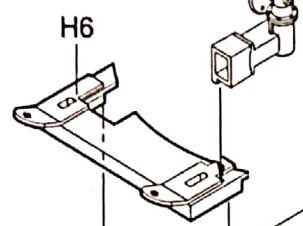
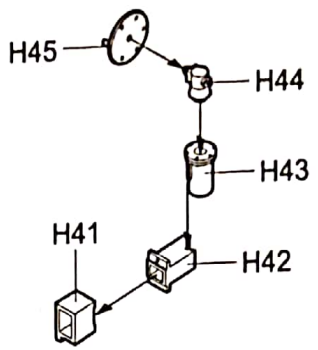
H 1 1
白色
White
45
46

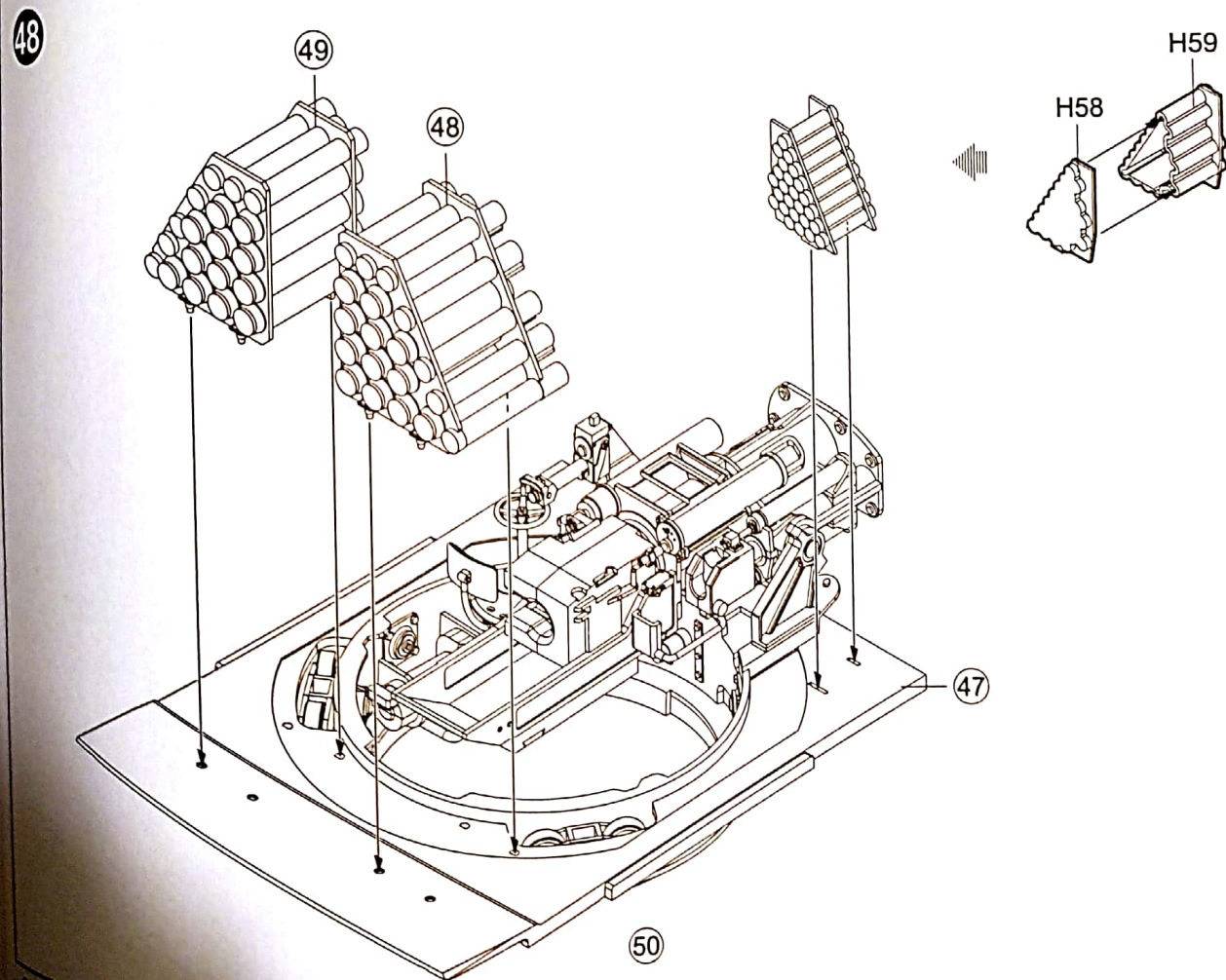
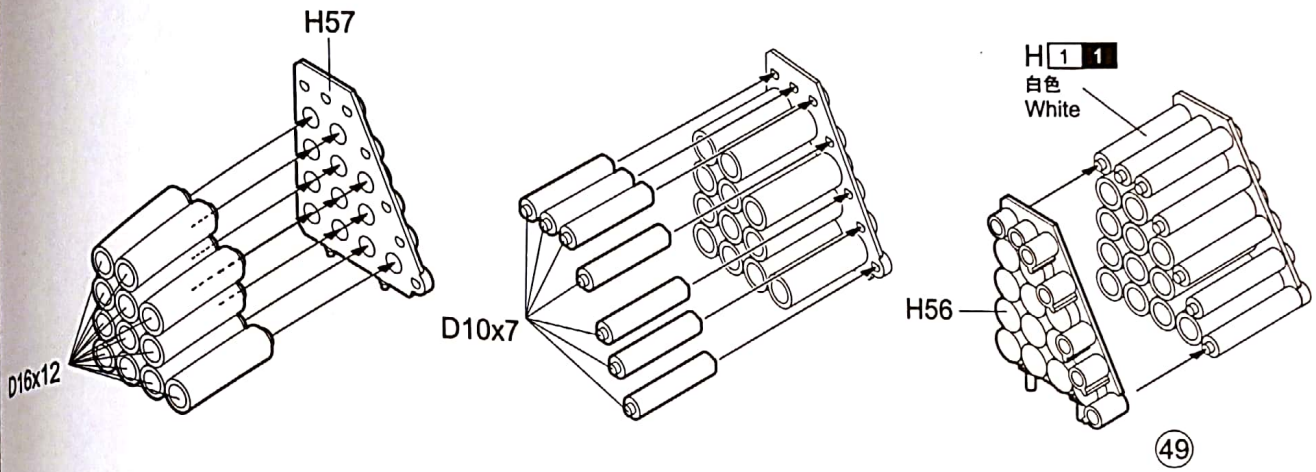
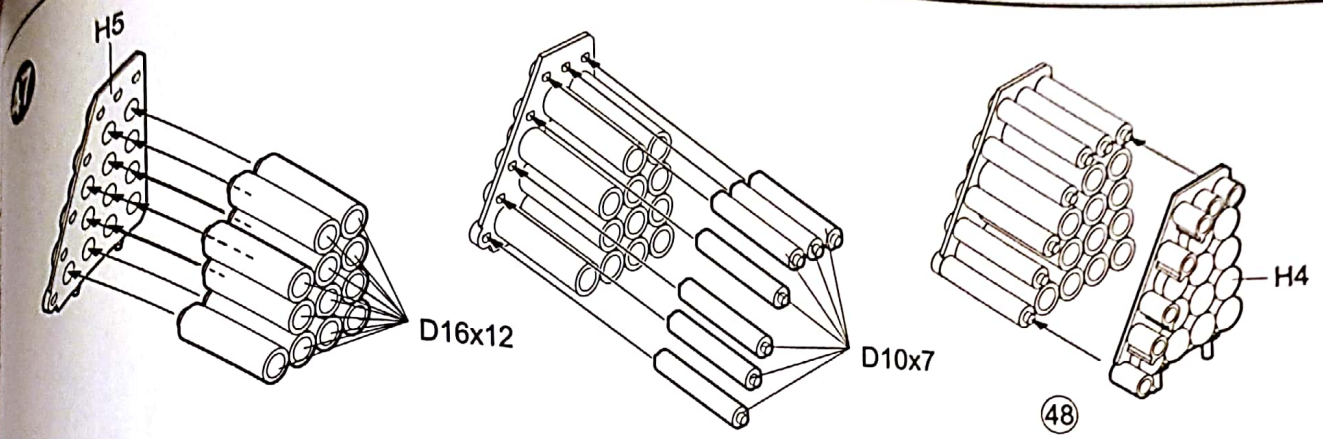
43
H 1 1
白色
White
46

09541

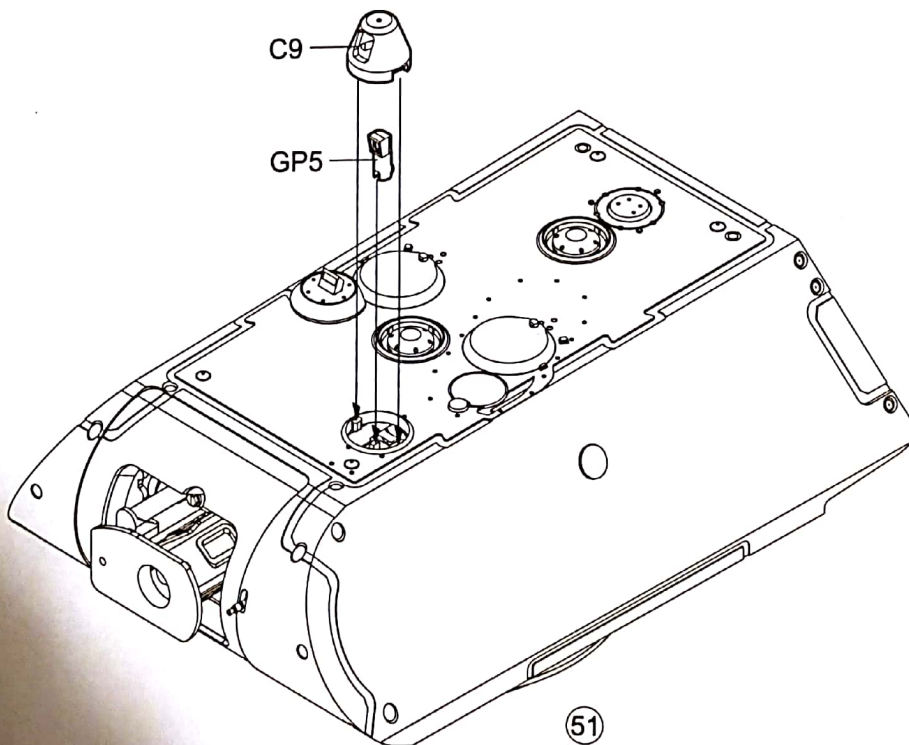
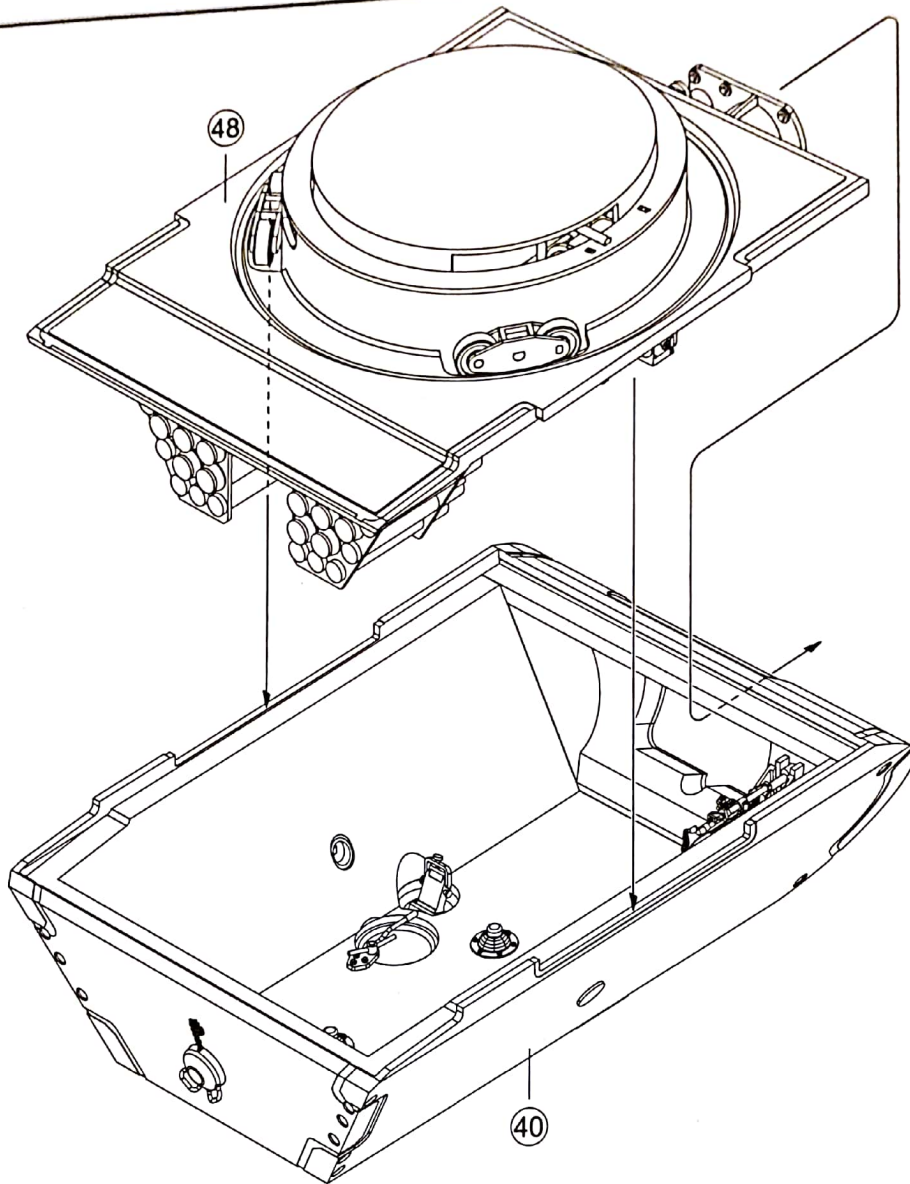
46

H1 1
白色
White

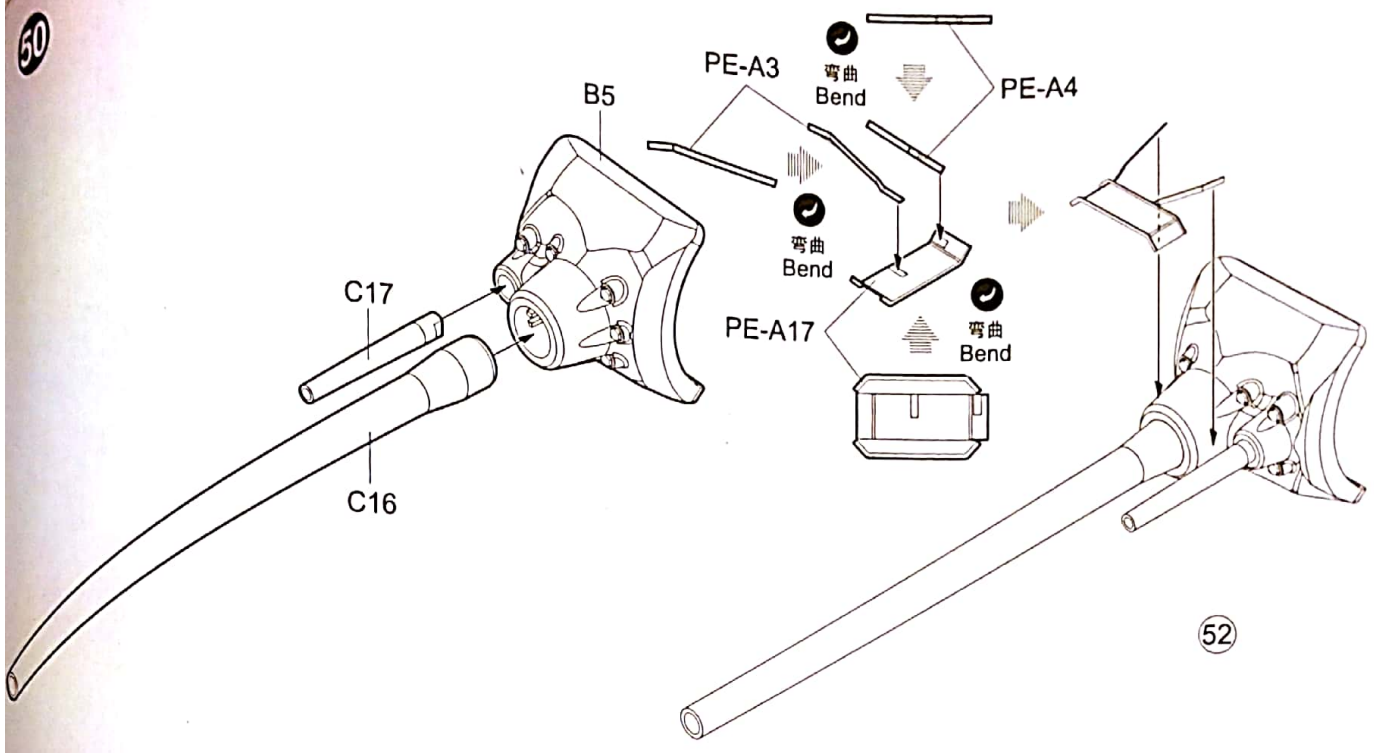




49

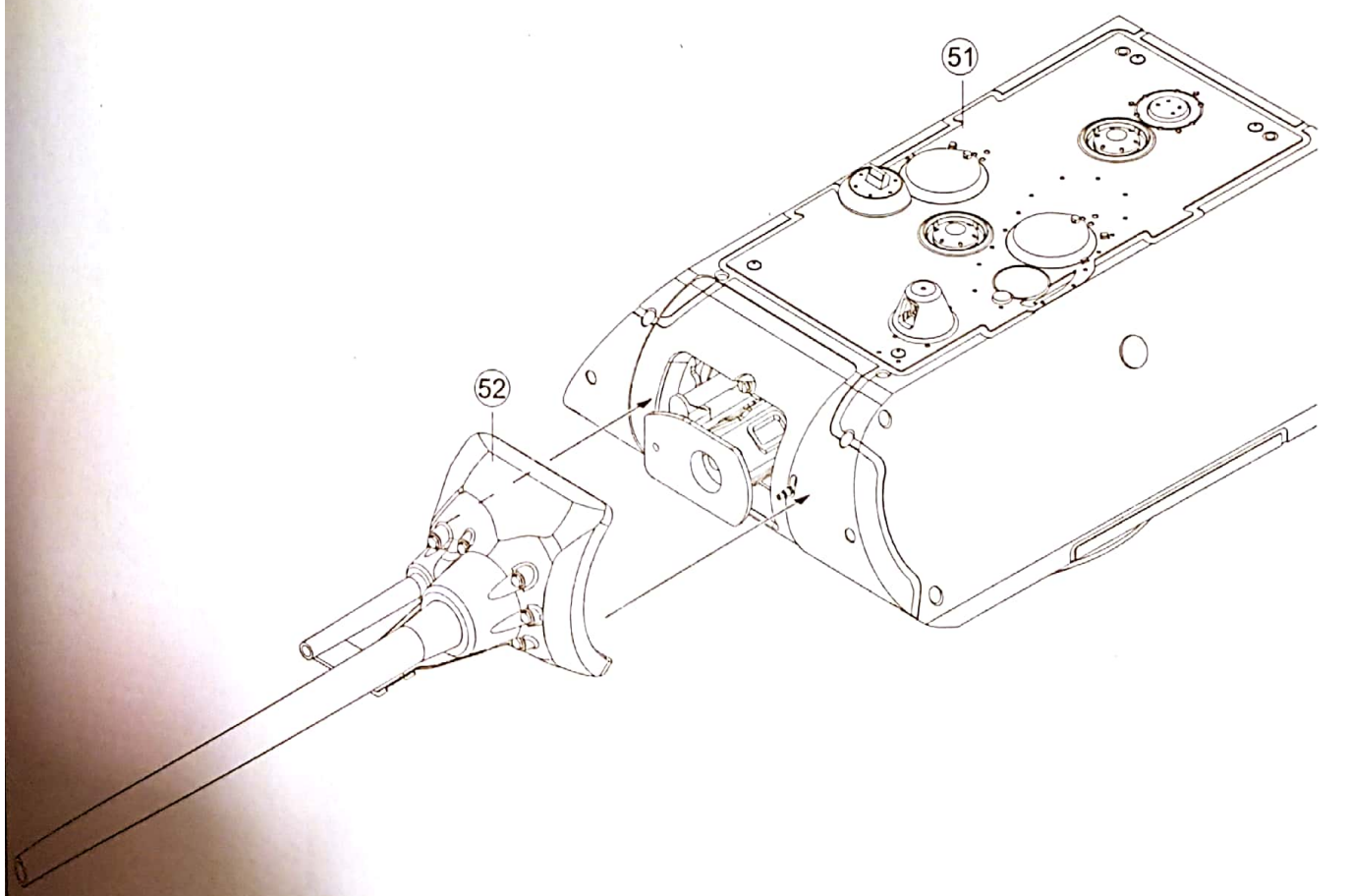


50

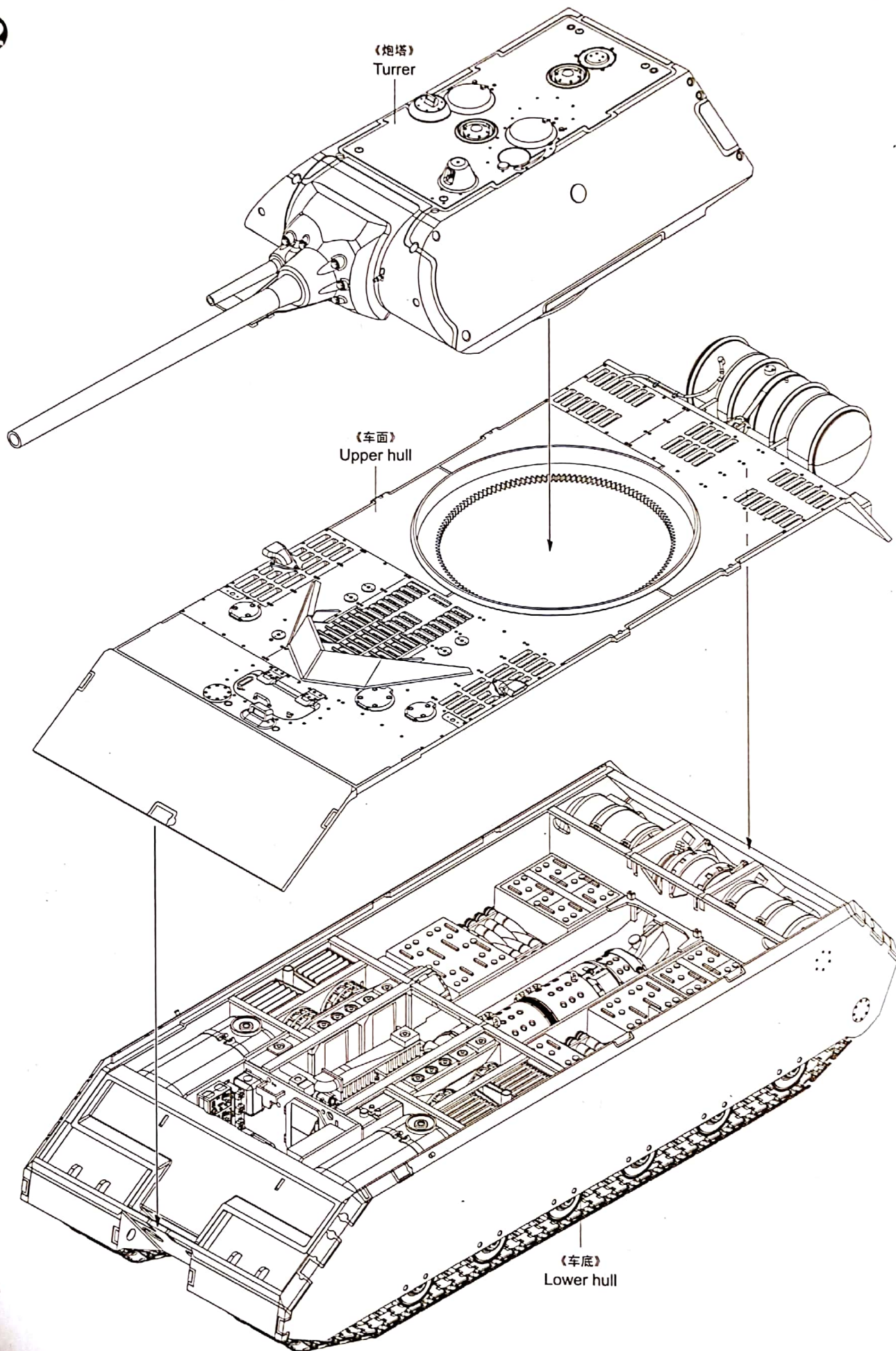


52

51



09541

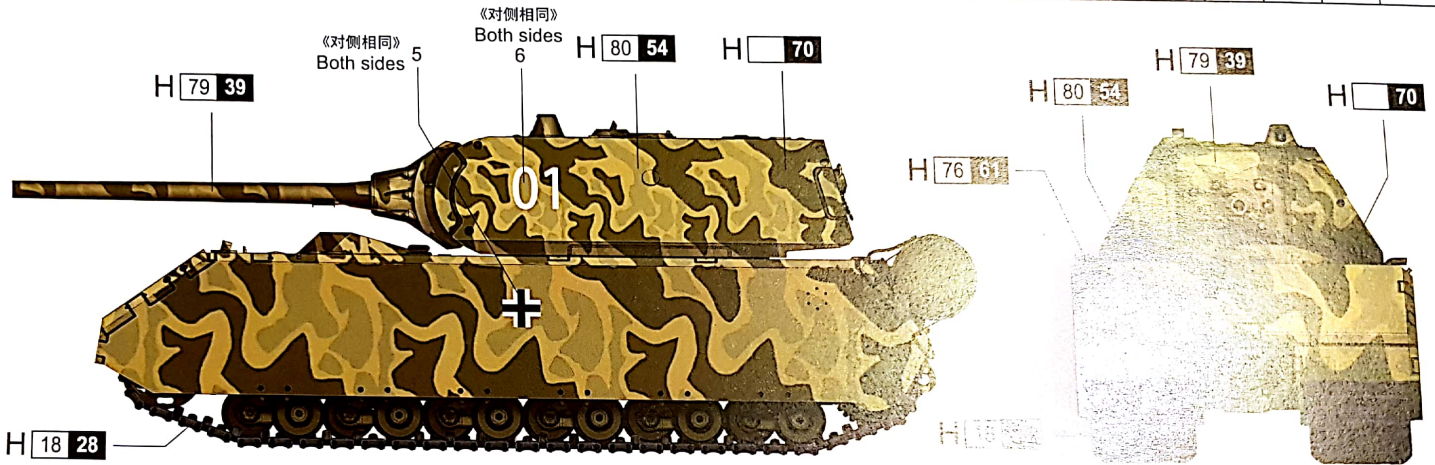


涂装同标贴指示 Painting & Marking guide

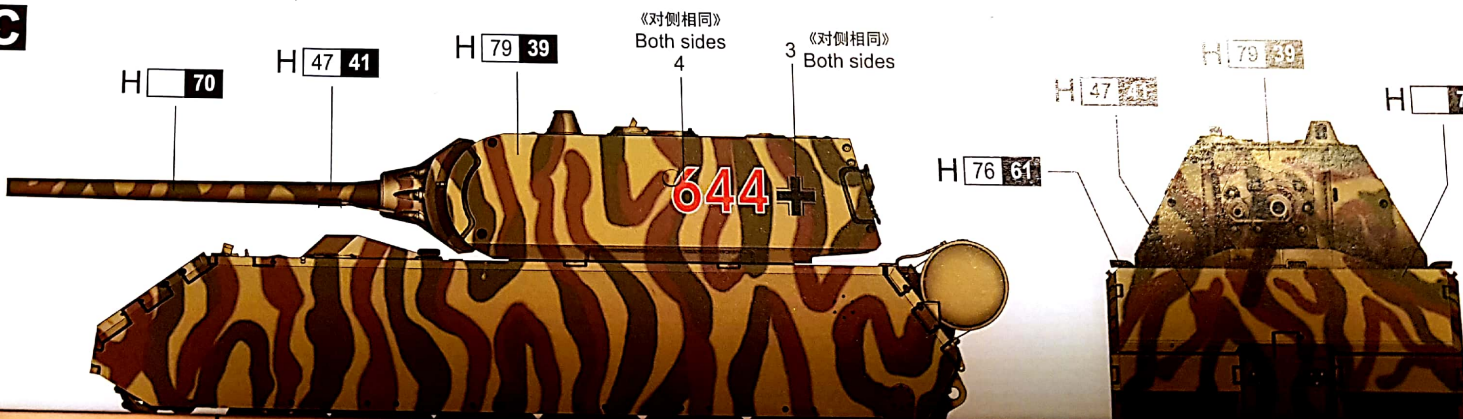
PAINT REFERENCE COLOR

Color	Mr.Hobby	Acrycion	Vallejo	Model Master	Tamiya	Humbrol	Color	Mr.Hobby	Acrycion	Vallejo	Model Master	Tamiya	Humbrol
Steel 黑铁色	H 18 28	N 18	864	1402	-	-	Red Brown 红棕色	H 47 41	N 47	984	-	XF64	160
Field Gray 原野灰	H 32 40	N 32	830	-	XF22	111	Burnt Iron 烧铁色	H 76 61	N 76	863	1795	X10	53
Dark Green 战车绿	H 70	N	-	-	-	-	Khaki Green 卡其绿	H 80 54	N 80	924	-	XF51	159
							Sandy Yellow 砂黄色	H 79 39	N 79	824	-	XF59	93

B



C



H 18 28



H 18 28



H 18 28

D

H 32 40

H 70

《对侧相同》
Both sides 1

H 47 41

《对侧相同》
Both sides 2



H 76 61

H 70

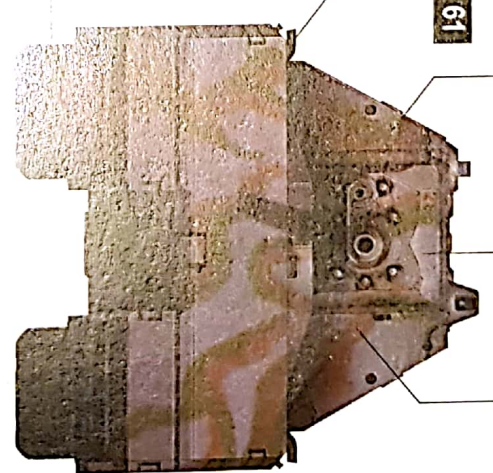
H 32 40

H 47 41

H 18 28



H 18 28



E

H 79 39

《对侧相同》
Both sides 8

H 47 41

《对侧相同》
Both sides 7

H 70



H 47 41

H 47 41

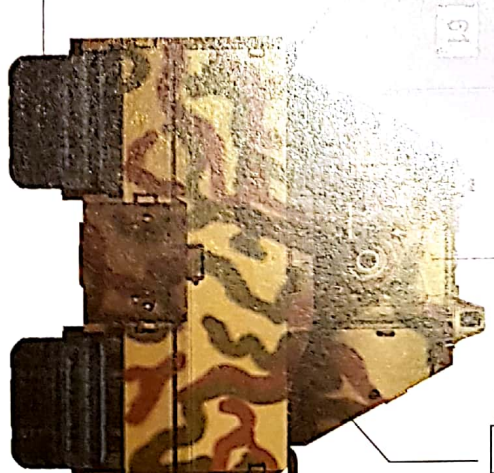
H 79 39

H 70

H 18 28



H 18 28



- H AQUEOUS HOBBY COLOR
- N ACRYLON COLOR
- M MR. COLOR

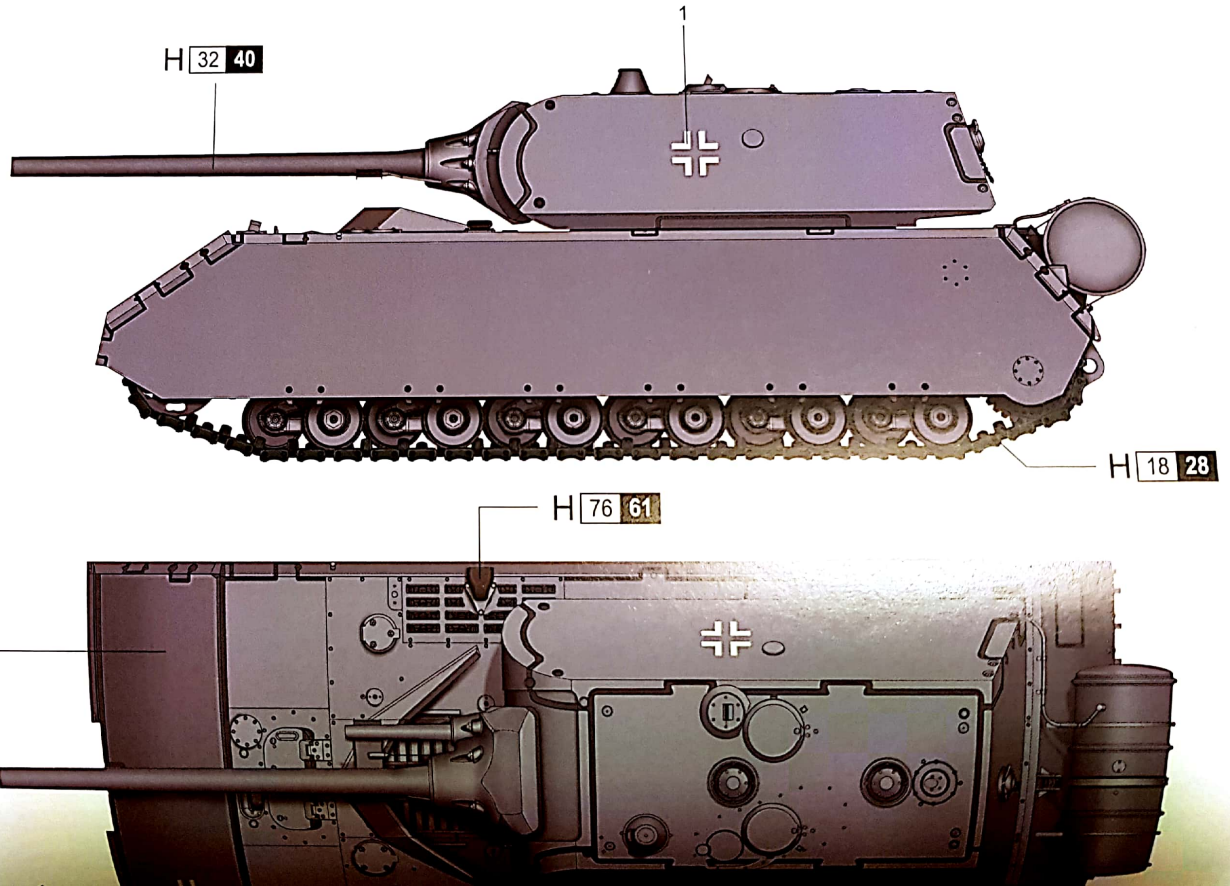
涂装同标贴指示

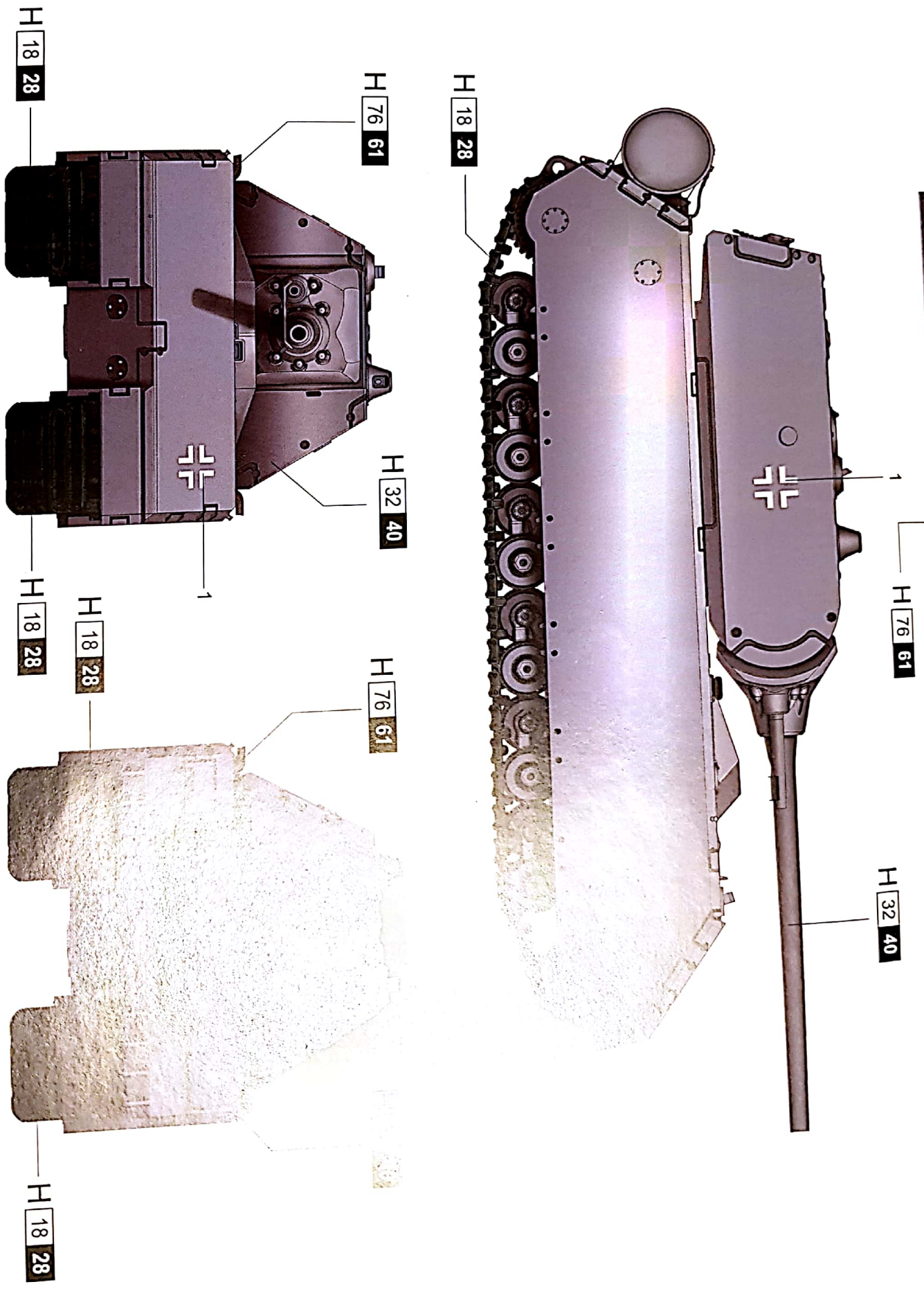
Painting & Marking guide

A

PAINT REFERENCE COLOR

Color	Mr.Hobby	Acrycion	Vallejo	Model Master	Tamiya	Humbrol	Color	Mr.Hobby	Acrycion	Vallejo	Model Master	Tamiya	Humbrol
Steel 黑铁色	H 18 28	N 18	864	1402	-	-	Red Brown 红棕色	H 47 41	N 47	984	-	XF64	160
Field Gray 原野灰	H 32 40	N 32	830	-	XF22	111	Burnt Iron 烧铁色	H 76 61	N 76	863	1795	X10	53
Dark Green 战车绿	H 70	N	-	-	-	-	Khaki Green 卡其绿	H 80 54	N 80	924	-	XF51	159
							Sandy Yellow 砂黄色	H 79 39	N 79	824	-	XF59	93





- H AQUEOUS HOBBY COLOR
- N ACRYSION COLOR
- M MR. COLO