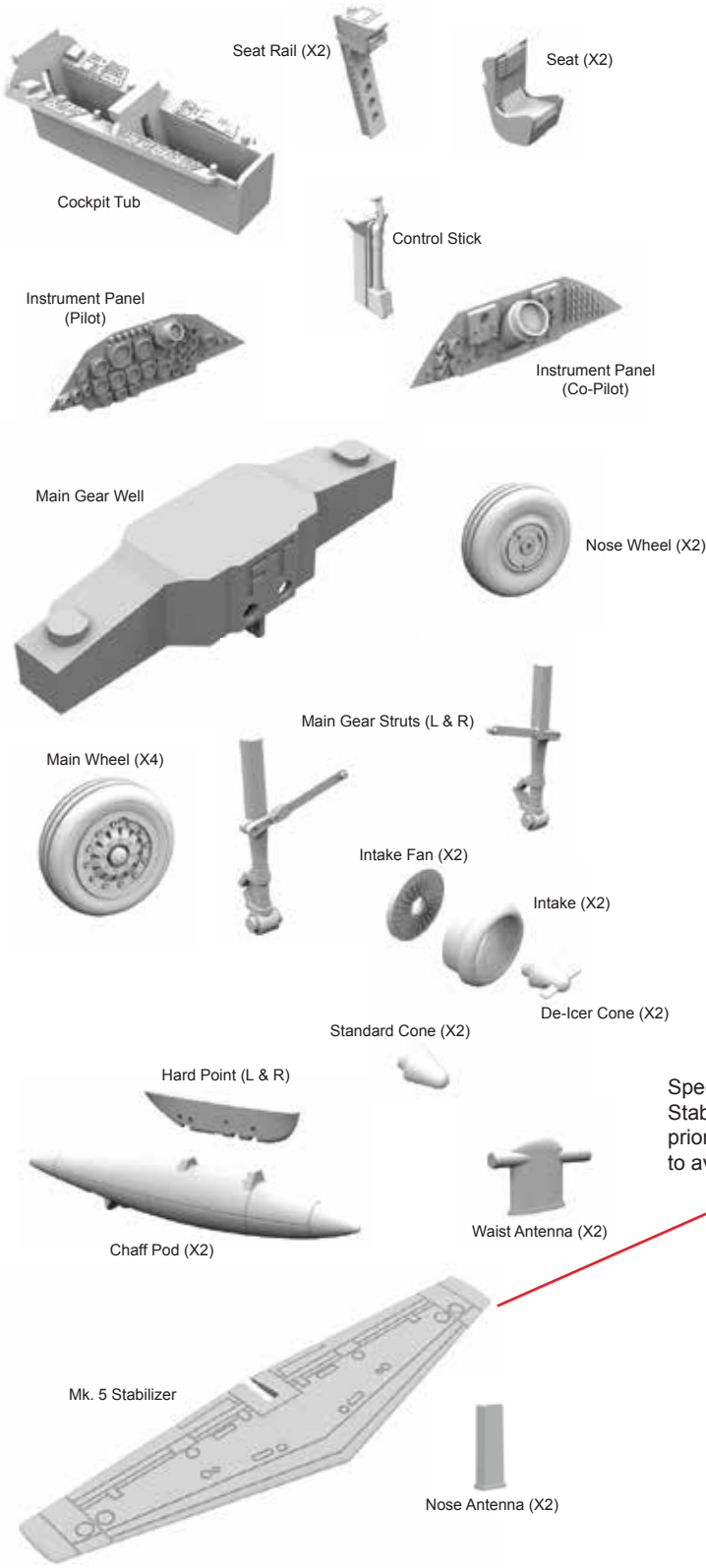


Instruction Sheet for the **AVRO CF-100 CANUCK**

Super Update Set for use with the Hobbycraft 1:72 scale kit



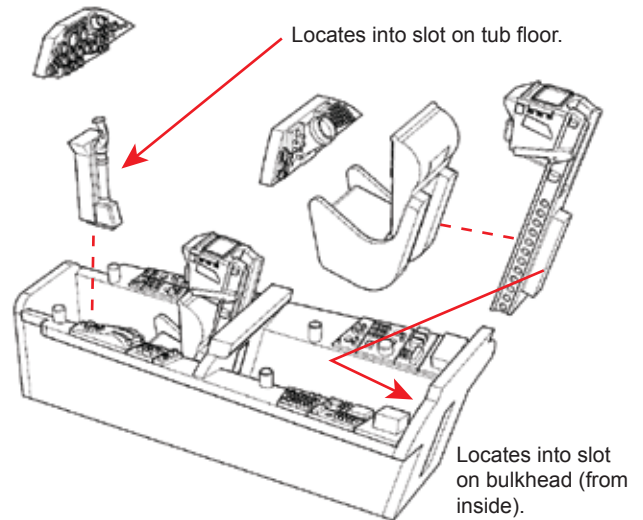
To facilitate easiest installation possible, please read and understand all directions before assembly.

1. With a sharp nipper tool, carefully remove all parts from their supports (these supports are necessary for the 3D printing process). Work **SLOWLY** and **CAREFULLY**. Always wear eye protection, as small support clippings may fly off. 3D printed resin parts can be glued with cyanoacrylate glue or epoxy glue.

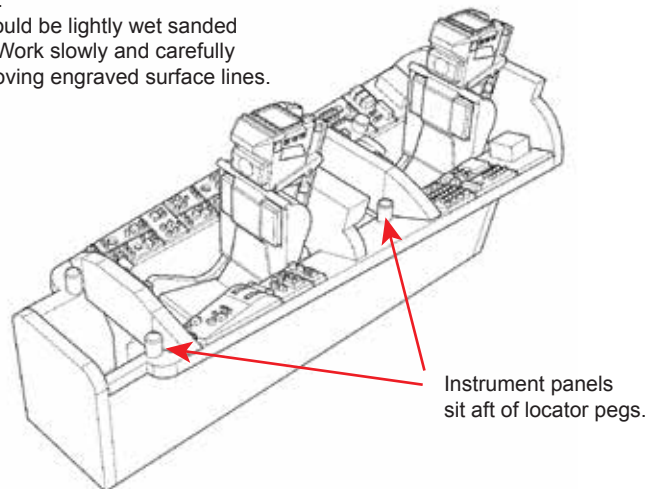
2. All parts should be primed prior to painting. Acrylic primer is recommended.

3. If any print resolution lines are present on parts with large, smooth surfaces (such as cowls, etc.), part may be lightly wet sanded with 600 grit wet-or-dry sandpaper.

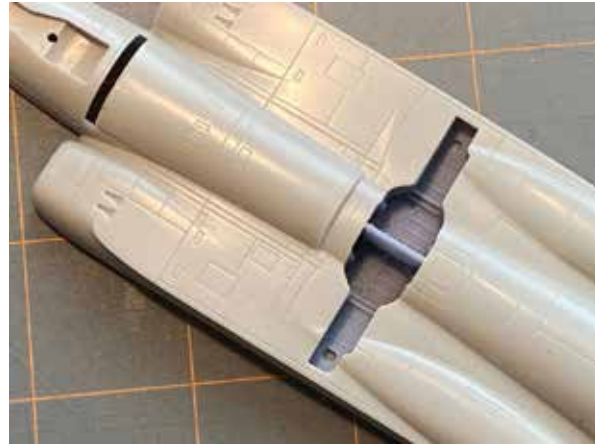
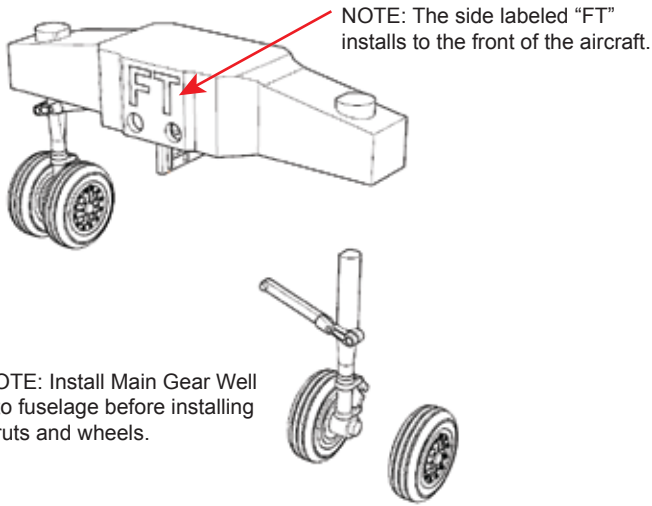
1. Cockpit Assembly



Special Note:
Stabilizer should be lightly wet sanded prior to use. Work slowly and carefully to avoid removing engraved surface lines.



2. Main Gear Assembly



3. Installation of Intakes



Assemble intakes first. Choose either standard cone or de-icer cone.

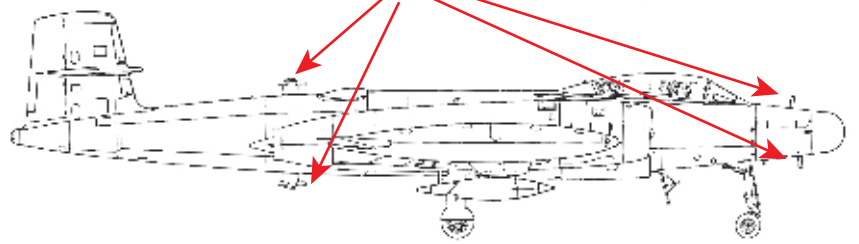
Grind away front of existing intake ports up to the first engraved line.

With fuselage halves taped together, block sand opening flat.

If fit is tight, grind away a small amount of plastic on the inside of the opening with a barrel-shaped grinding bit.



4. Antennae Locations



5. Chaff Pod Locations

