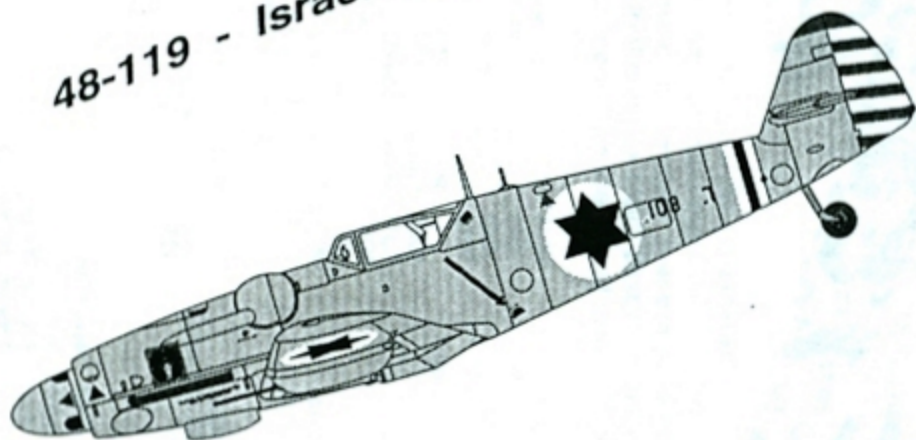


# AeroMaster™

48-119 - Israeli Avia S-199 Collection

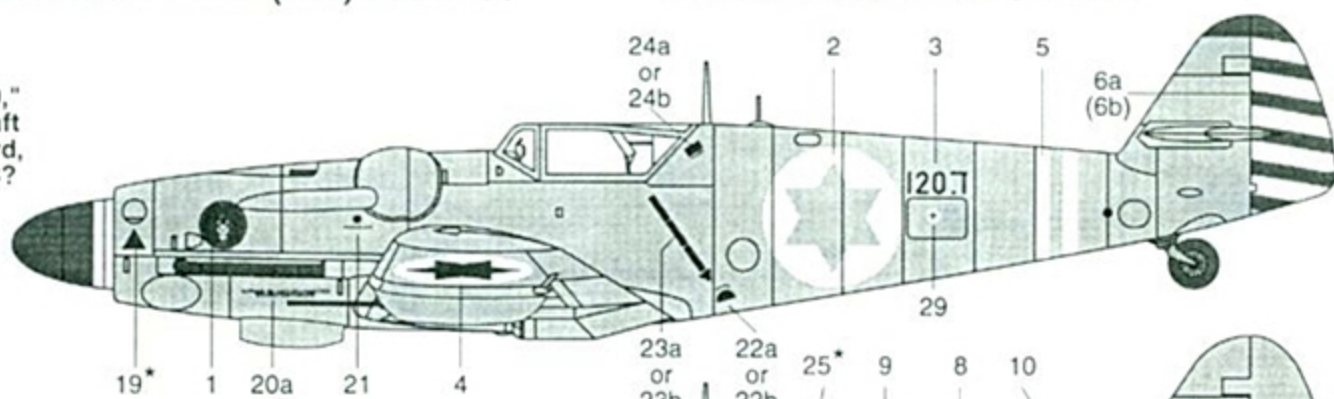


**AeroMaster Decals**™

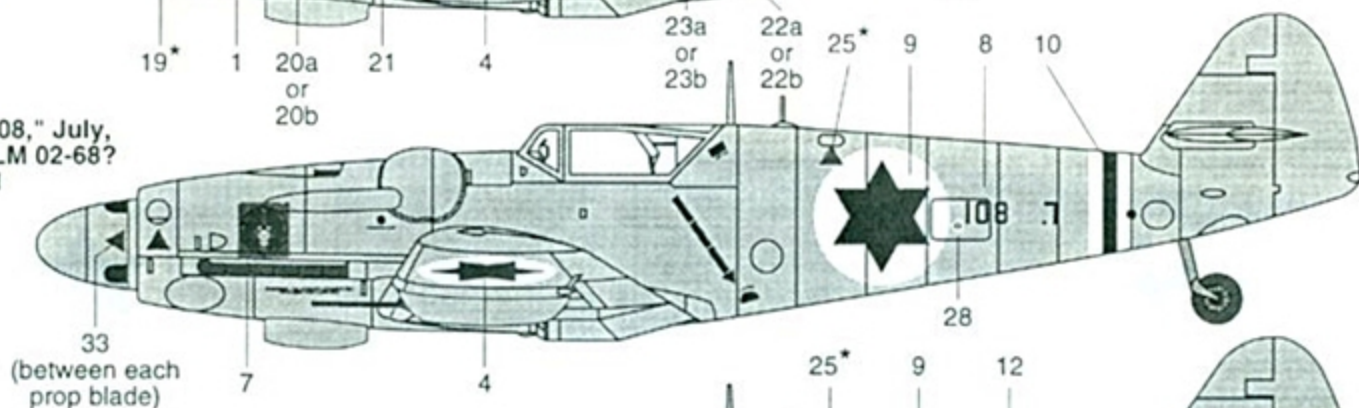
3615 NW 20th Avenue  
Miami, Florida 33142 USA  
(305) 635-3134 • Fax (305) 638-4197

A selection of Israel's first fighters, the Avia S-199 "Sakyn" (or "Knife" in Israeli service), as flown by No. 101 Squadron, the country's first fighter unit, during the 1948 War of Independence.

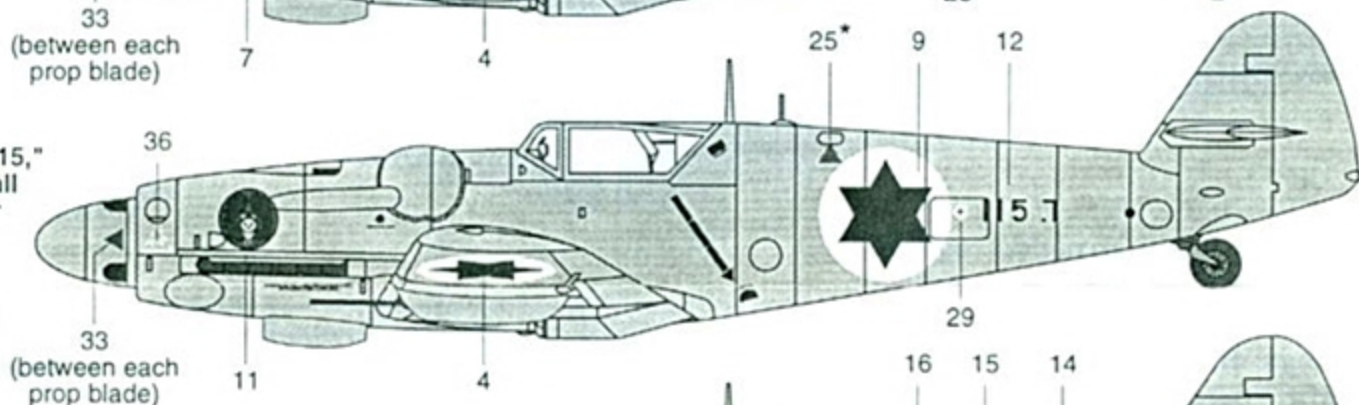
Avia S-199 "D-120,"  
June, 1948. Aircraft  
wears the standard,  
overall RLM 02-68?  
Gray-Green  
camouflage, as  
delivered from  
Czechoslovakia.  
Spinner is Red  
with a White  
base.



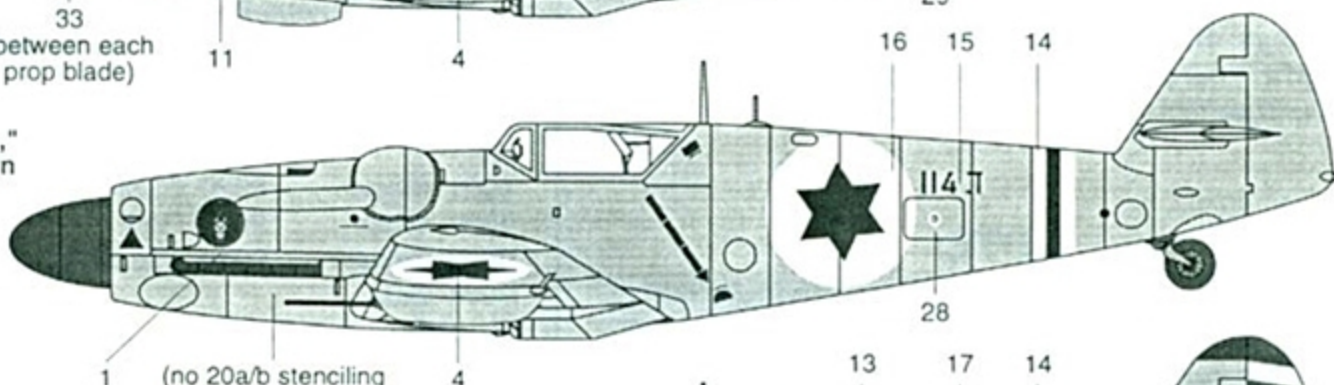
Avia S-199 "D-108," July,  
1948. Overall RLM 02-68?  
camouflage and  
spinner.  
Stenciling as per "D-120,"  
above. Note  
"tall" tail strut.



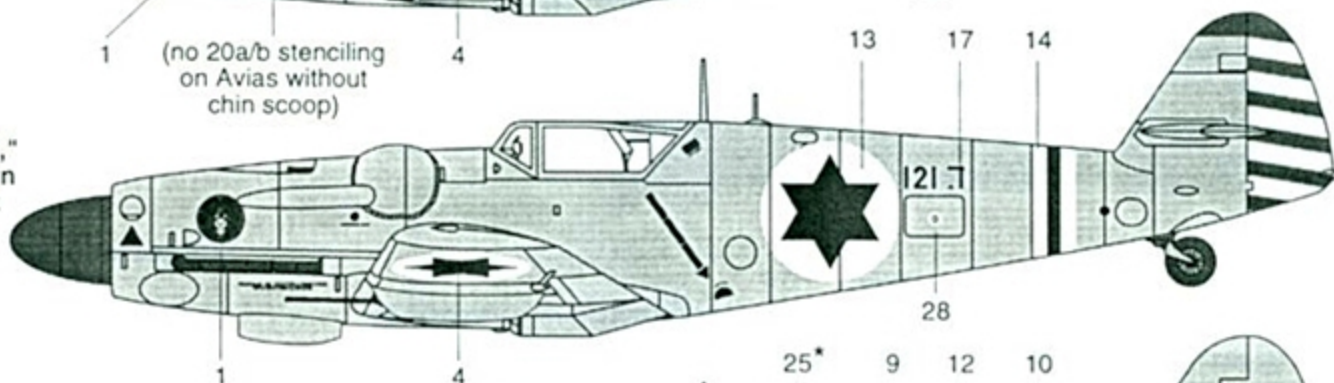
Avia S-199 "D-115,"  
mid-1948. Overall  
RLM 02-68? war  
paint and  
spinner.  
Standard  
stenciling, with  
an outlined oil  
triangle.



Avia S-199 "D-114,"  
as reportedly flown  
by 101 Sqn Cdr,  
Modi Alon, who  
scored Israel's  
first air-to-air  
victories.  
Standard RLM  
02-68? scheme  
and stenciling.



Avia S-199 "D-121,"  
as reportedly flown  
by Israel's current  
President, Ezer  
Weizman.  
Standard RLM  
02-68? scheme  
and stenciling.



Avia S-199 "D-106,"  
Overall RLM 02-68?  
scheme with  
standard  
stenciling. Note  
lack of unit  
badge and chin  
scoop.

