



Focke Wulf Fw 190D-9

フォッケウルフ Fw190D-9

德国Fw 190D-9战斗机

PLEASE READ BEFORE OPERATION!

- * Tools recommended as below: (Not included)
Adhesives; Paints; Side Cutters; Sharp Edged Pliers; Modeling Knife; Modeling File; Nippers; Drill; Scissors; Sand Paper; Soft Cloth; Cyanoacrylate Glue.
- * Make sure to read this instruction listed below before assembling.
- * The kit contains the small parts, they can be dangerous if swallowed by mistake, so keep them away from reach of children.
- * Cut the all parts off carefully and remove the waste parts into the garbage can.
- * More caution and care should be needed for cutting and handling the photo etched parts.
- * Make attention that some parts should be attached the decal when assembled.
- * During assembling, please tear up and throw away the plastic bags, or may cause the dangerous if wearing over head by children's mistake.
- * When using the adhesives and paints, please do not use them in the closed room or near the fire, also must be very careful to protect your eyes, face and clothes.
- * Adult supervised when assembled by children under 14 years old.

装配前请仔细阅读:

- * 推荐使用的模型工具(请自备):
专用模型胶水, 专用模型油漆, 水口剪刀, 长咀钳, 刀片, 锉刀, 镊子钳, 钻, 剪刀, 软布, 砂纸, 瞬间快干胶等。
- * 用水口剪刀或刀片小心切下所有塑胶零件和蚀刻片零件, 不要遗失小零件。
- * 切取蚀刻片时应特别注意防止利边划伤手指。
- * 用模型锉刀小心锉平所有零件表面的注射浇口。
- * 用适量的强力快干胶水粘合蚀刻片零件和金属轴, 切忌过量, 否则可能导致可动零件被粘住。
- * 注意某些零件表面需在装配时同步贴水上水贴纸。
- * 制作时应远离幼儿并将包装袋及时收妥, 谨防小孩玩耍而引起意外。



cyanoacrylate glue
强力胶



weight
配重



make hole
钻孔



cut / remove
切除



option
选择



no cement
不涂胶水



decal
贴纸



bend
弯曲



repair
填补

The method to apply the decals

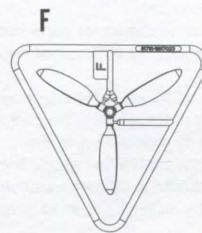
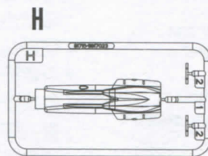
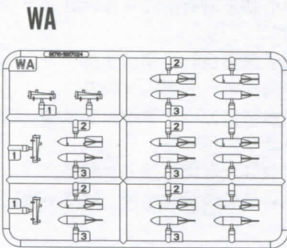
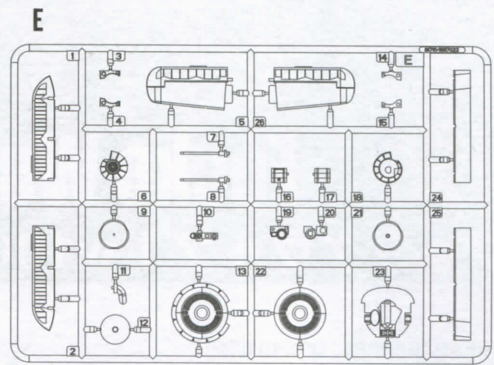
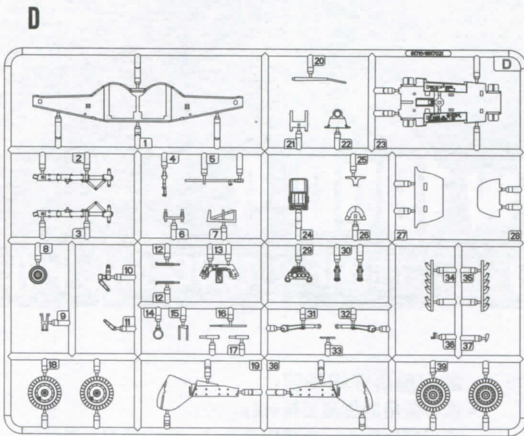
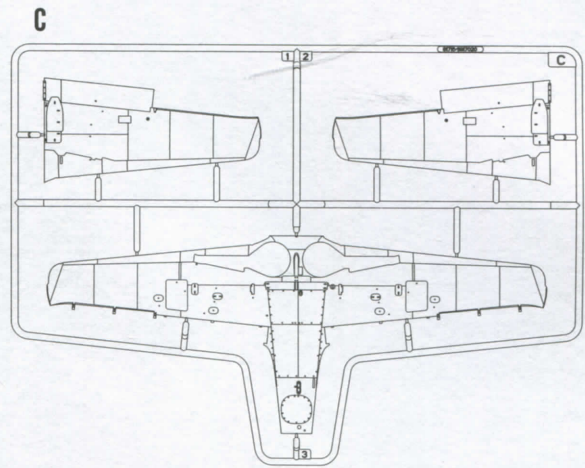
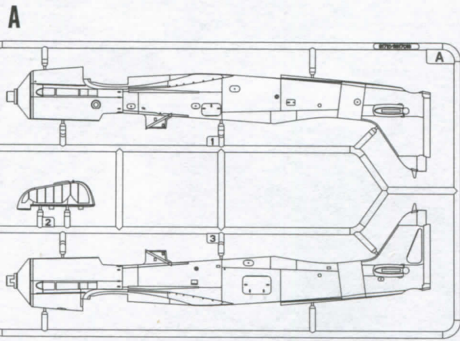
1. Cut off the decal from the decal paper and put it into the warm water 40°C for 10 seconds.
2. Take the decal from the water and put it on a piece of clean cloth.
3. Remove the decal slowly from the paper to the targeted location by a wet finger.
4. Use a piece of dry and soft cloth to press it gently on the decal until it getting dry and no bubble existing.

水贴纸的使用方法:

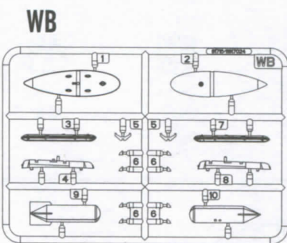
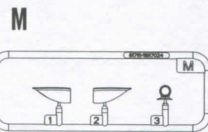
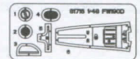
- 一. 把相关的印花从水贴纸上剪下, 放入40°C左右的温水中浸10秒。
- 二. 然后将印花放在干净的布上。
- 三. 拿上印花纸板, 手指蘸水将印花移到适当的位置。
- 四. 用软干布轻压印花直至水干, 气泡消失。

部品图

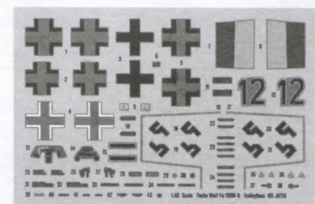
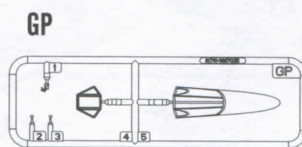
Parts



《蚀刻片》
Photo etched part(PE)

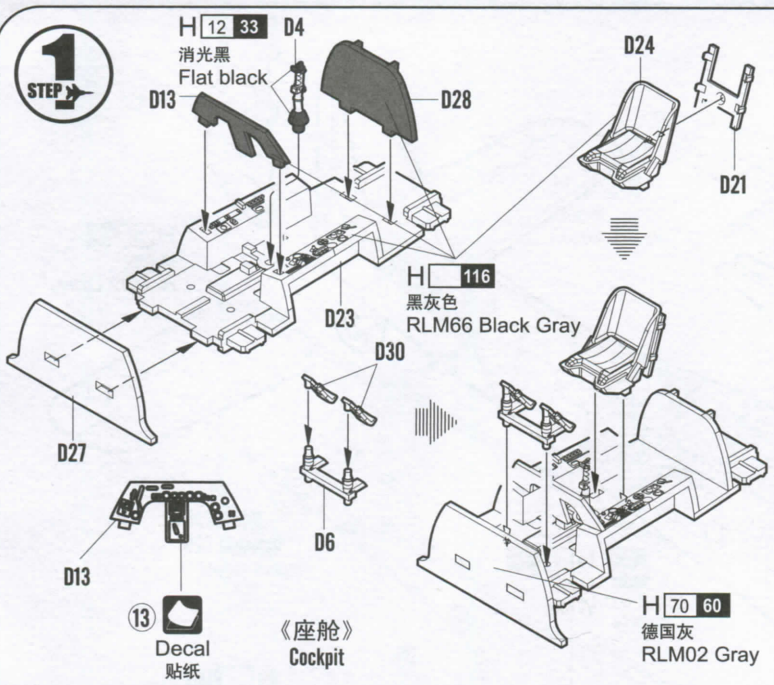


《水贴》
Decal

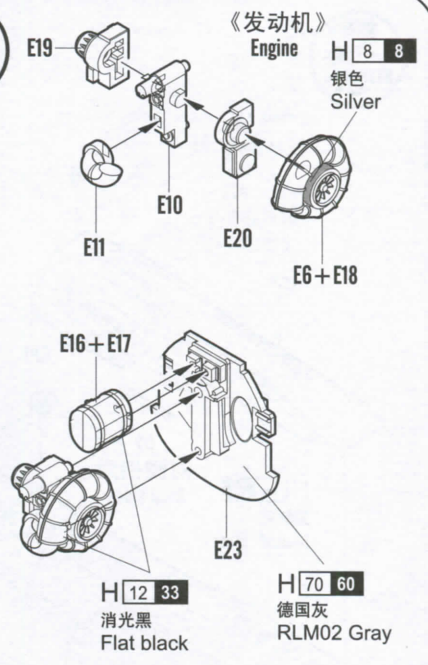


不用的部件: D17 E21 WB3 WB4 WB6 WB7 WB9 WB10 PE4
Unused parts

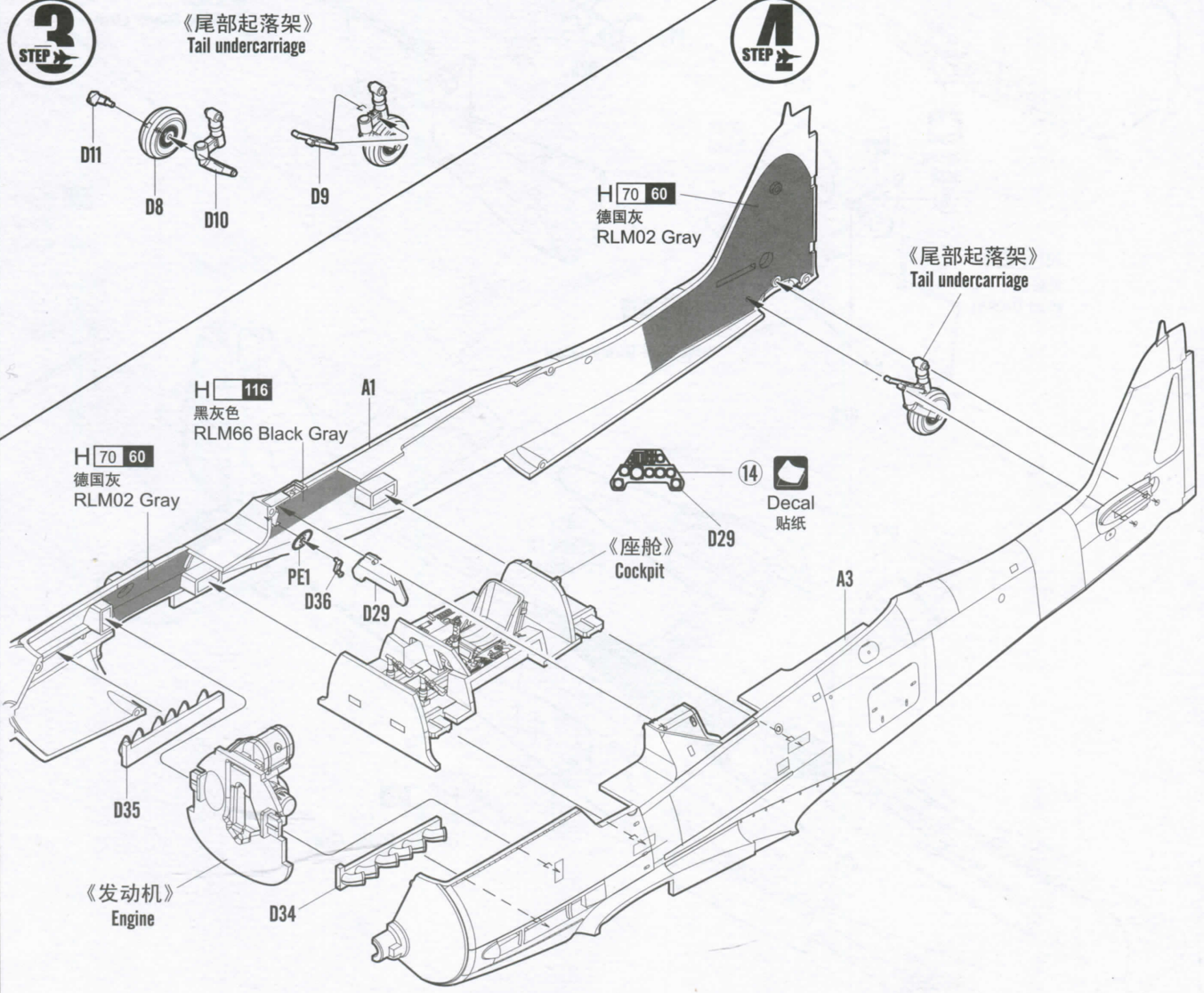
1
STEP



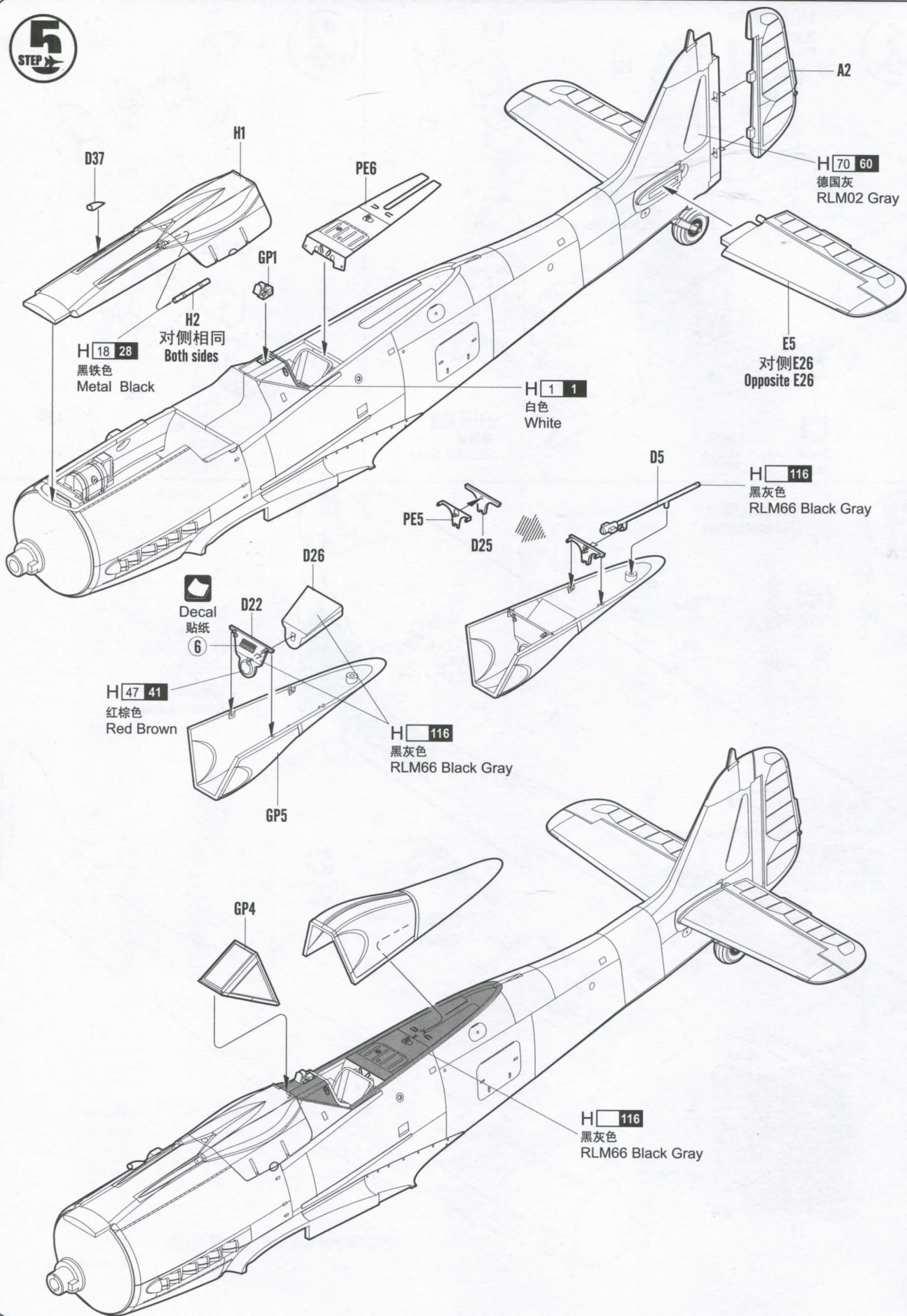
2
STEP

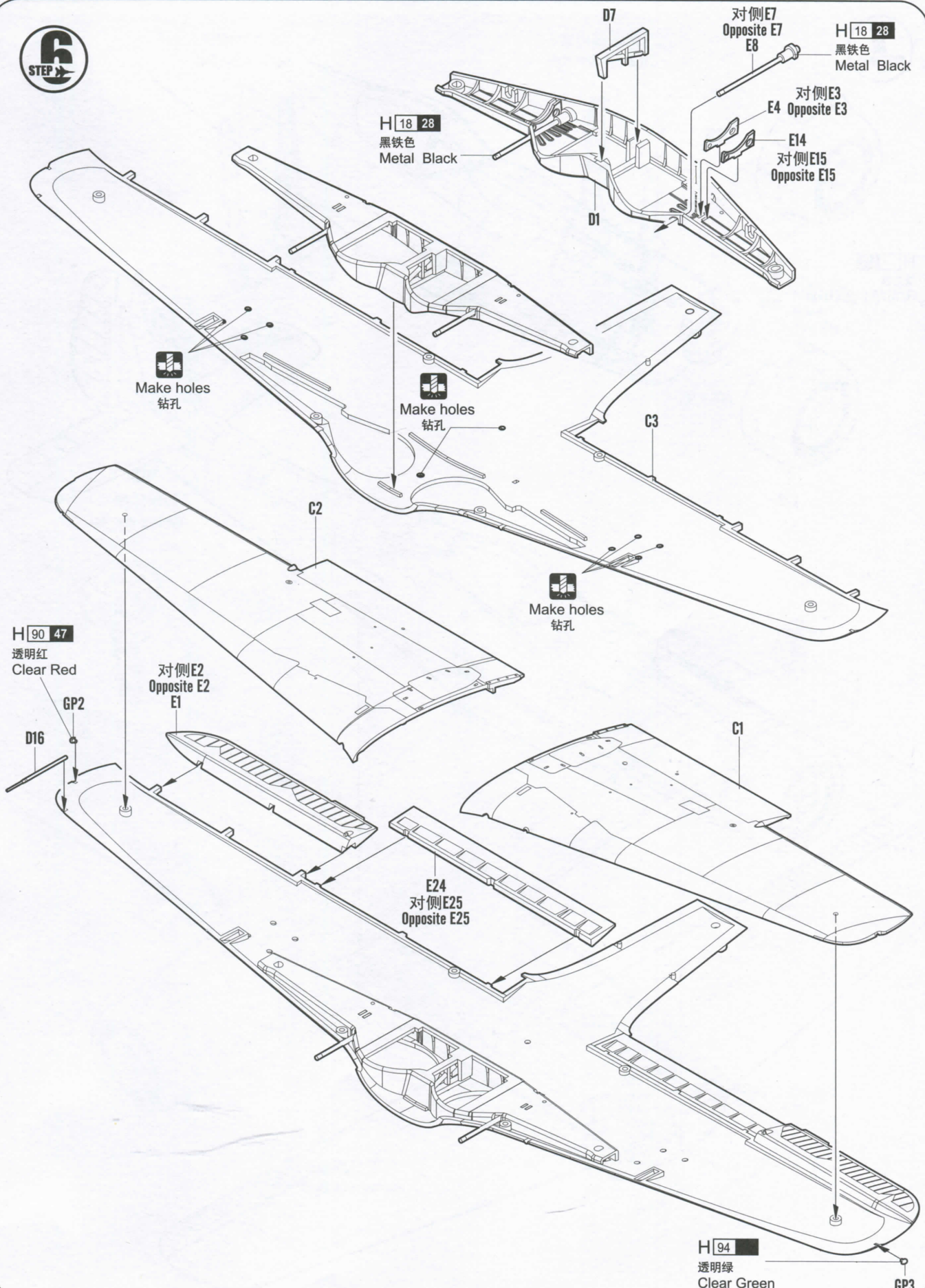


3
STEP



5
STEP





H 18 28

黑铁色
Metal Black

对侧E7
Opposite E7

H 18 28

黑铁色
Metal Black

对侧E3
Opposite E3

E4

E14
对侧E15
Opposite E15

Make holes
钻孔

Make holes
钻孔

Make holes
钻孔

H 90 47

透明红
Clear Red

对侧E2
Opposite E2

E1

C1

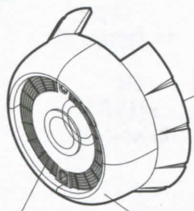
E24
对侧E25
Opposite E25

H 94

透明绿
Clear Green

GP3

7
STEP →



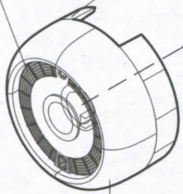
E13

H 117

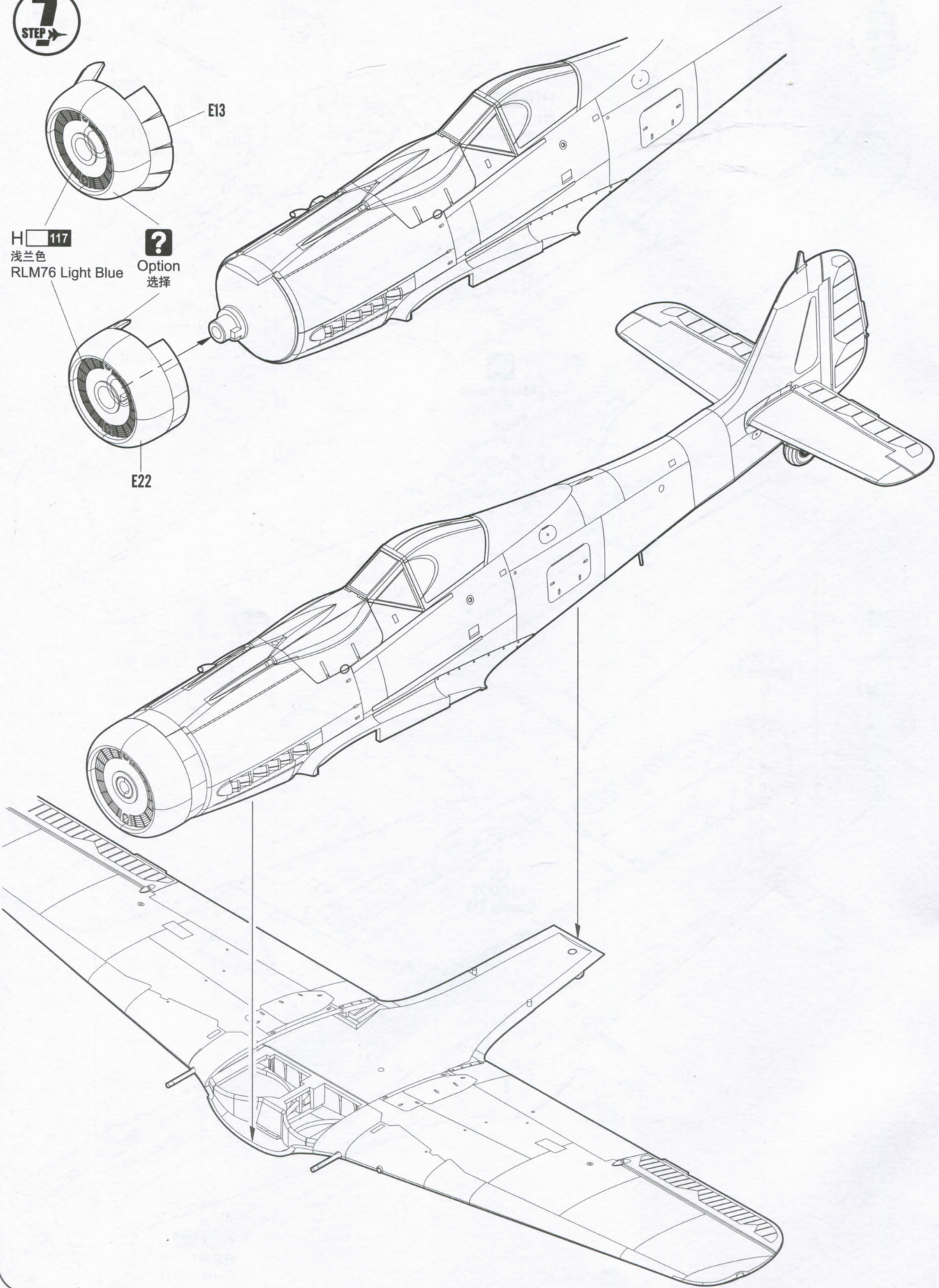
浅兰色
RLM76 Light Blue

?

Option
选择



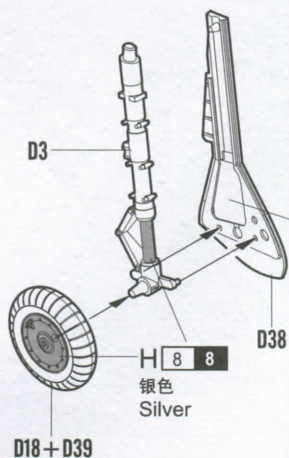
E22



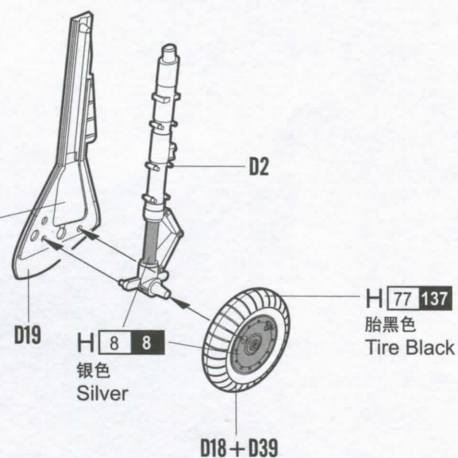


《左侧起落架》
Left undercarriage

《右侧起落架》
Right undercarriage

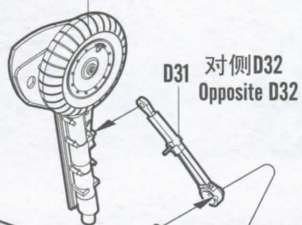


H 70 60
德国灰
RLM02 Gray



《左侧起落架》
Left undercarriage

H 18 28
黑铁色
Metal Black



D12
对侧相同
Both sides

D20

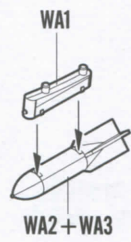
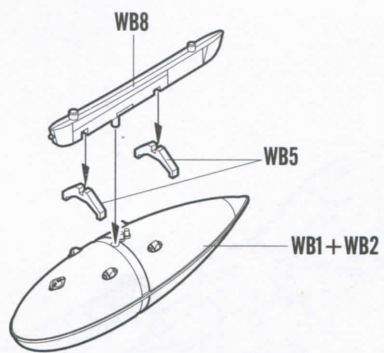
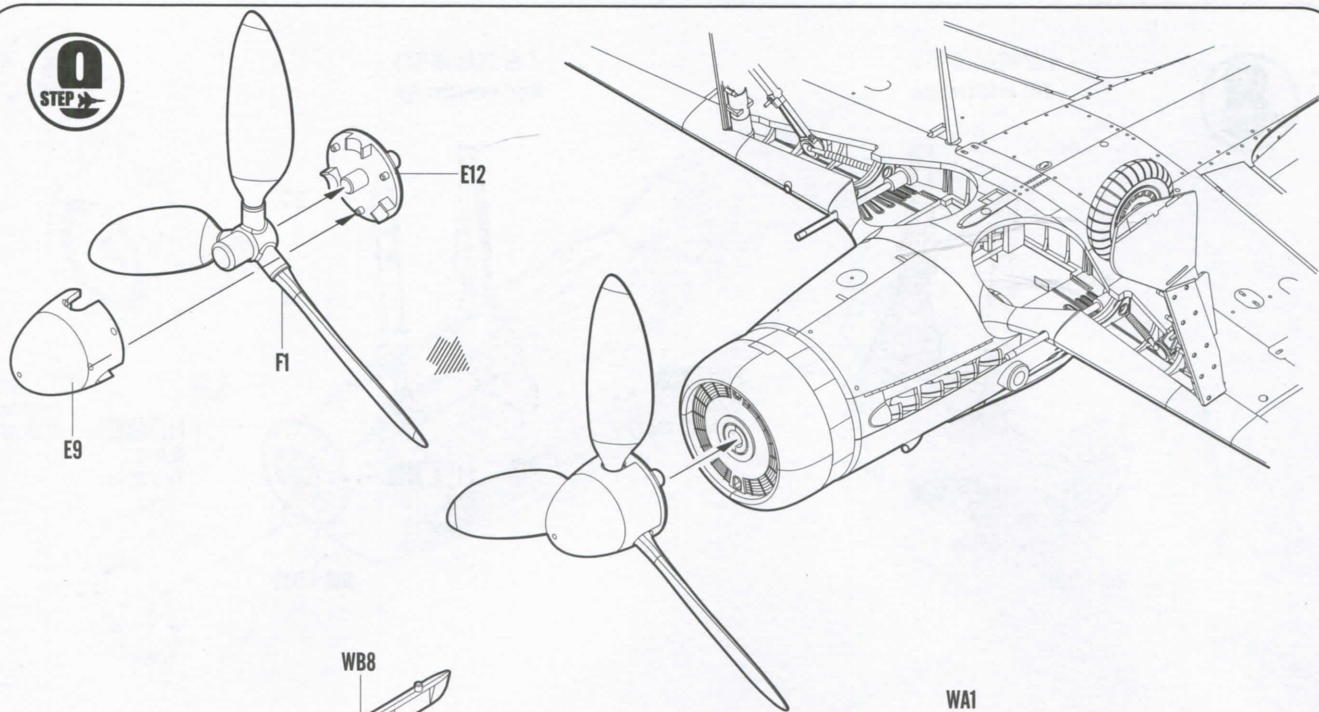
D15

D14

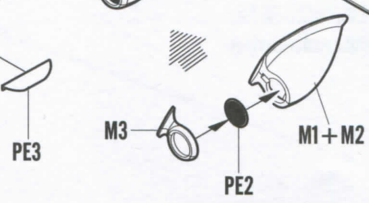
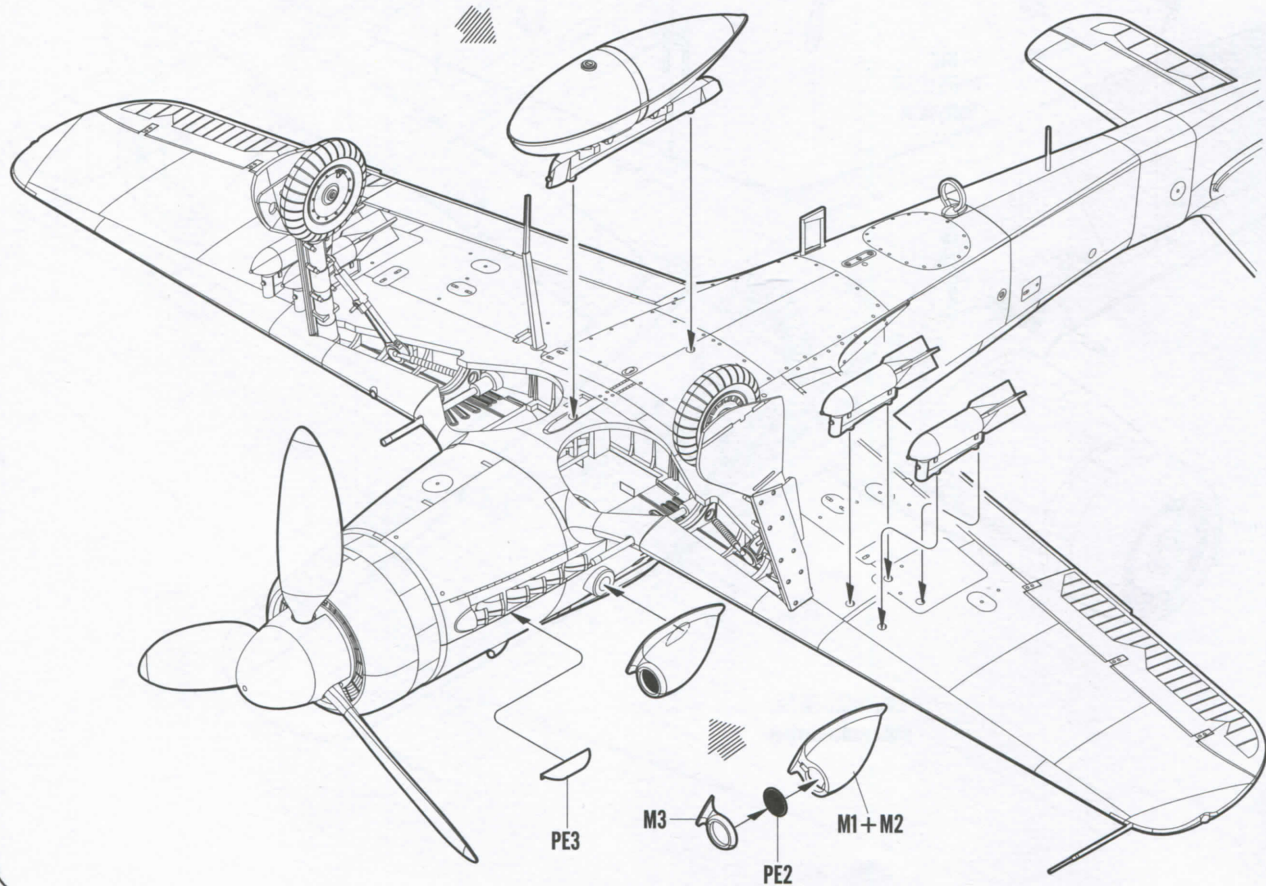
D33

《右侧起落架》
Right undercarriage

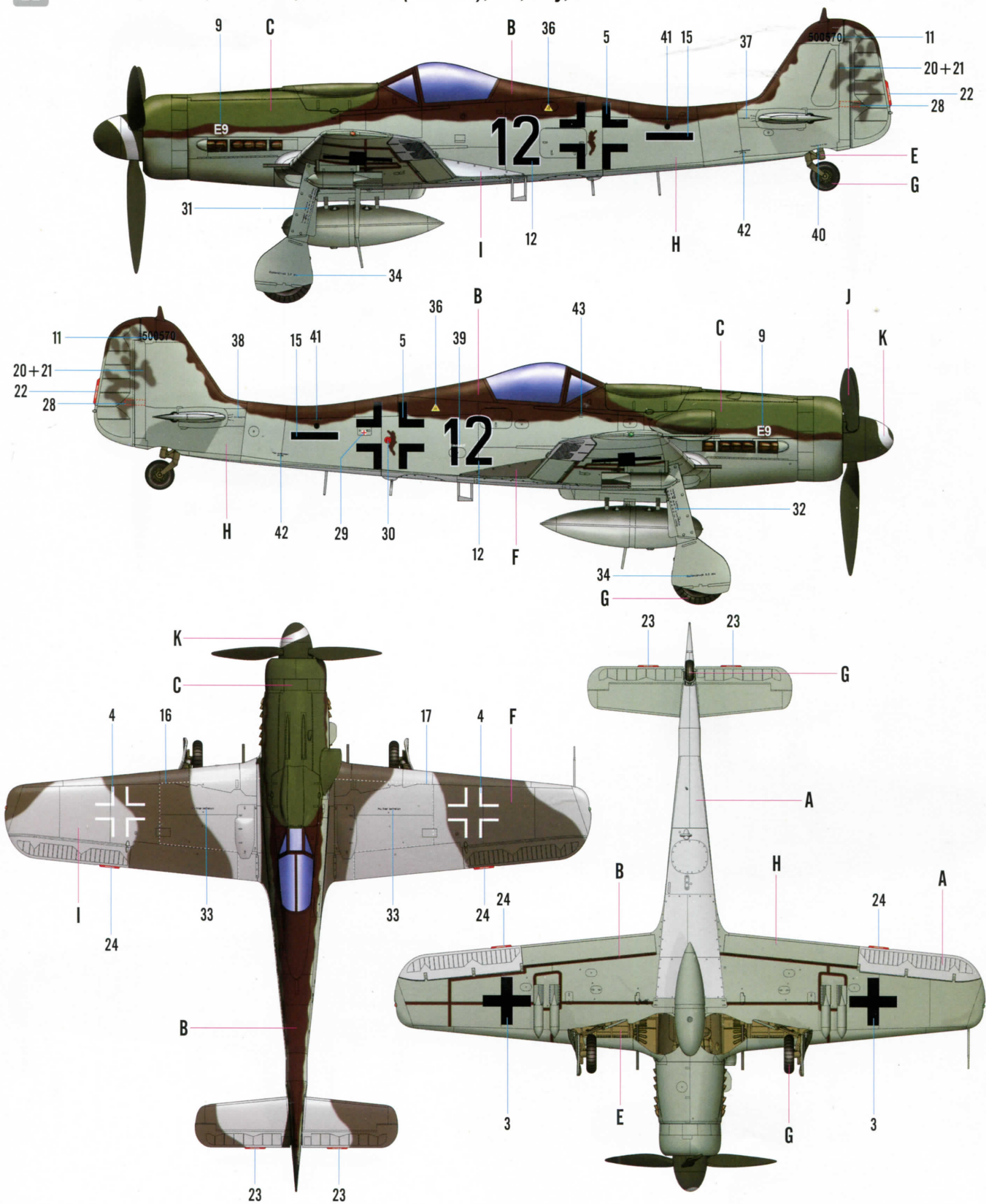
9
STEP



制作四组
Make four

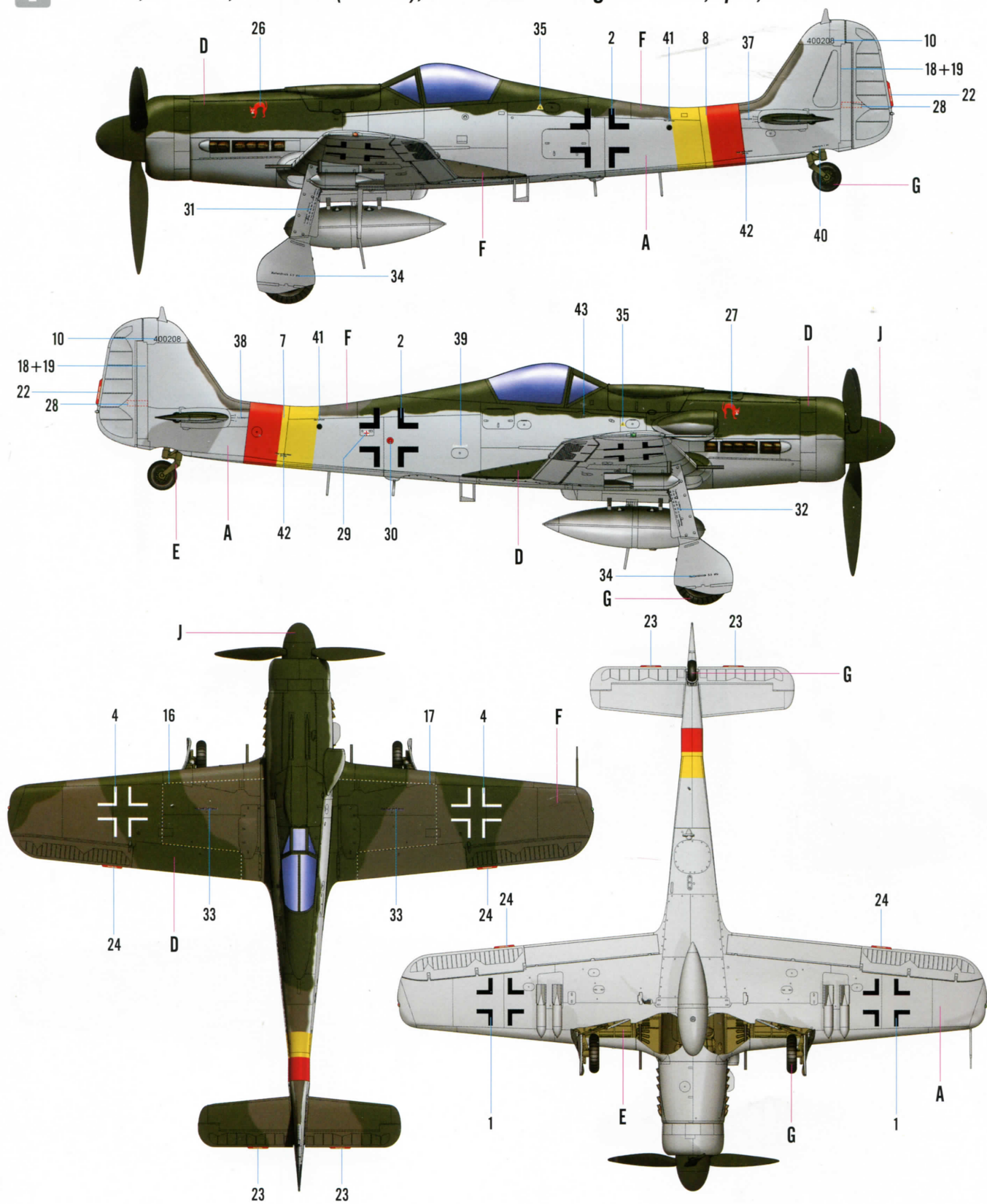


II German,II/JG 6,Black 12,Fw 190D-9(500570),8th,May,1945.



	Color	Mr.Hobby	Vallejo	Model Master	Tamiya	Humbrol
I	RLM77 Primer	H 334	--	--	XF19	167
J	黑绿色 RLM70 Black-Green	H 125	--	--	--	--
K	白色 White	H 1	842	1745	X2	22

I German, 7/JG 301, Fw 190D-9(400208), Pilot: Fahnrich Hagen Forster, April, 1945.



Color	Mr.Hobby	Vallejo	Model Master	Tamiya	Humbrol	Color	Mr.Hobby	Vallejo	Model Master	Tamiya	Humbrol
A 浅兰色 RLM76 Light Blue	H 117	907	1731	--	--	E 德国灰 RLM02 Gray	H 70 60	869	--	XF22	--
B 棕紫兰 RLM81 Brown Violet	H 121	887	--	XF51	155	F 灰紫色 RLM75 Gray Violet	H 69 37	--	--	--	--
C 浅绿色 RLM82 Light Green	H 122	823	--	--	--	G 胎黑色 Tyre Black	H 77 137	--	--	--	--
D 深绿色 RLM83 Dark Green	H 123	892	--	--	--	H 蓝绿色 RLM84 Green-Blue	H 82 31	--	--	XF53	--

