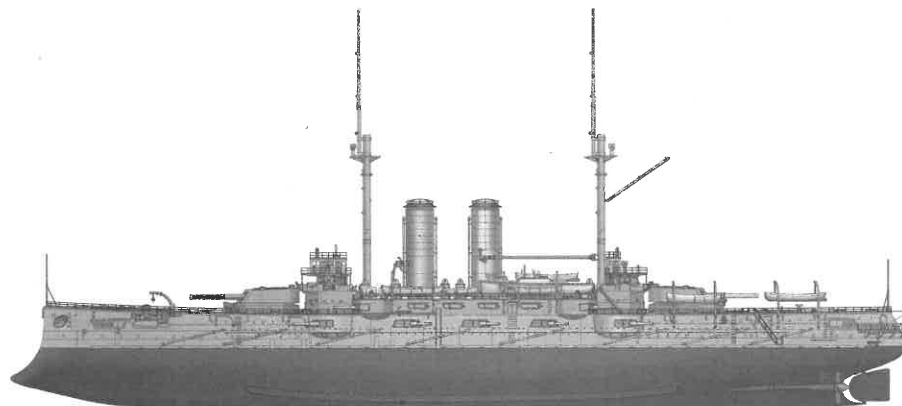


**1/200 SCALE**  
**ITEM NO.: 62004**



# Japanese Battleship Mikasa 1905

## 日本三笠号战列舰1905

### READ BEFORE ASSEMBLY:

- Study and understand these instructions thoroughly before beginning assembly
- When needed, remove photo-etch parts carefully using a modeling knife or photo etch sprue cutter, being careful not to damage or lose small parts.
- Take extra care in handling photo etch parts in order to avoid injury
- Apply instant cement sparingly to photo etch parts where instructed

- Tools recommended(not included in kit):Plastic and instant cements,sprue cutters,long nose pliers,modeling knife, small files, tweezers, pin vise & scissors. Soft cloth and sandpaper will also assist in construction
- Glue and paint are not included in the kit. Use plastic cement and hobby paints only. Color guide for purchasing paint is included in the kit.

### 装配之前仔细阅读

- 小心用模型锉刀锉平所有零件表面的注射浇口。
- 小心用刀片切下蚀刻片零件，不要遗失小零件。
- 用强力快干胶水粘合蚀刻片零件和金属轴。过量快干胶水使用可能导致可动零件会粘住，小心涂胶。
- 取蚀刻片时应特别注意安全，防止利边划伤手指。
- 某些零件表面需贴水上贴纸，请选择在装配的同时进行。
- 推荐模型工具(自备)：胶水，水口剪刀，长咀钳，刀片，锉刀，镊子，钳，钻，剪刀，瞬间快干胶。
- 软布同砂纸同时也应该是必备工具。
- 请使用塑料胶水和油漆，模型内不含。

### 水贴纸的使用:

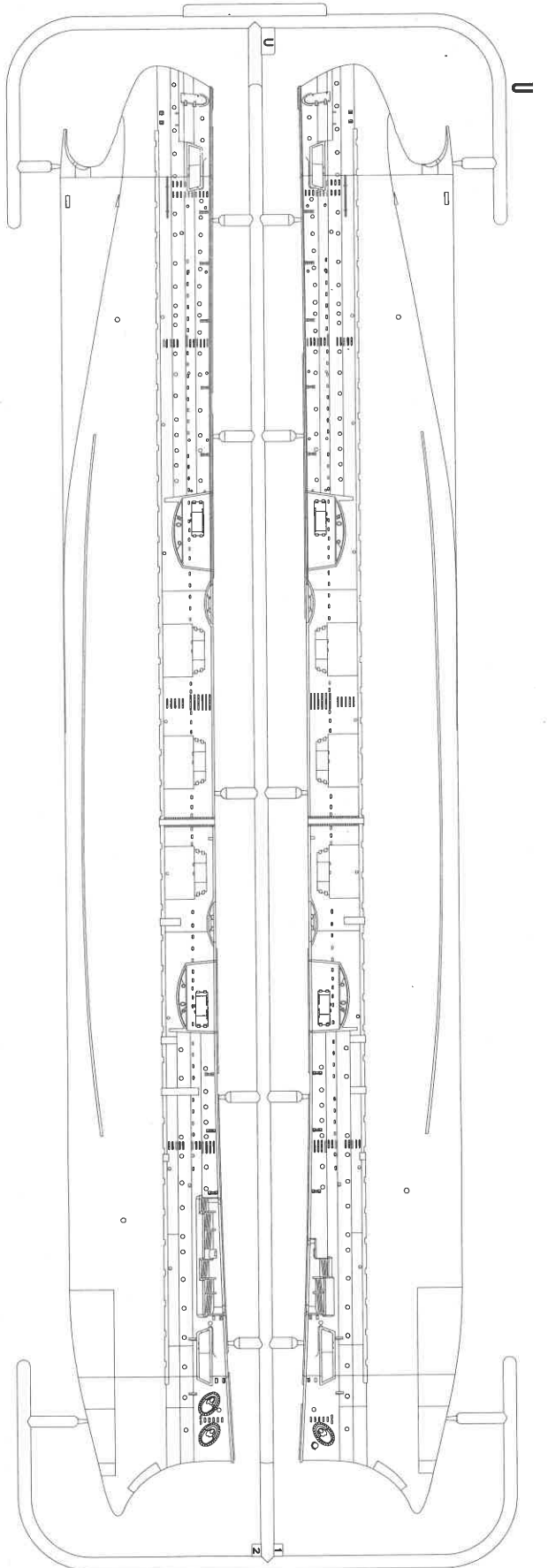
1. 从水贴纸上剪下印花;
2. 将印花放入温水中浸10秒，然后放在干净布上。
3. 拿着印花纸板将印花移到模型上;
4. 手指蘸水将印花移到适当的位置;
5. 用软布轻压印花直至水干，汽泡消失。

### DECAL APPLICATION:

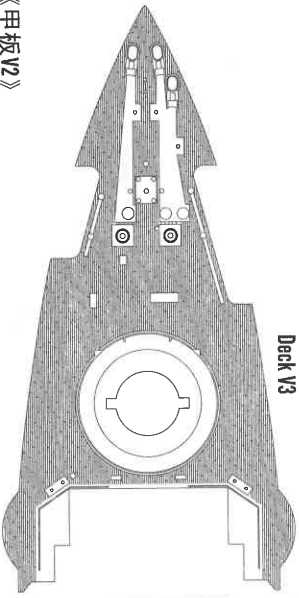
1. Cut decals from sheet as needed
2. Dip the decal in warm water for about 10 seconds and then place on soft clean cloth.
3. Hold the decal backing sheet edge and gently slide the decal onto the model in its proper position.

4. While still wet, decal can be adjusted for better fit on model by dampening it gently with your finger.
5. When placed in the proper position, gently press decal down with a soft cloth until excess water and air bubbles are gone.
6. Allow decal to dry completely before handling model

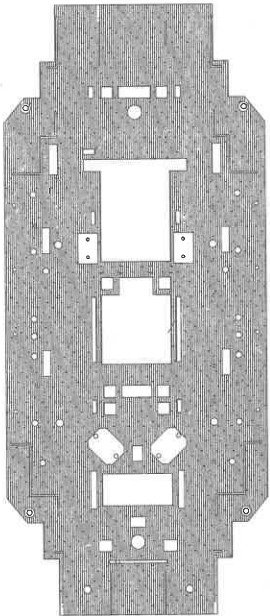




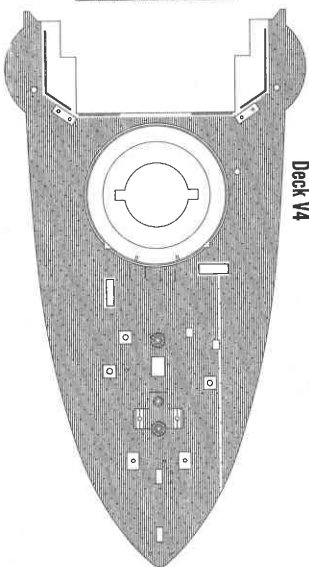
《甲板V3》  
Deck V3



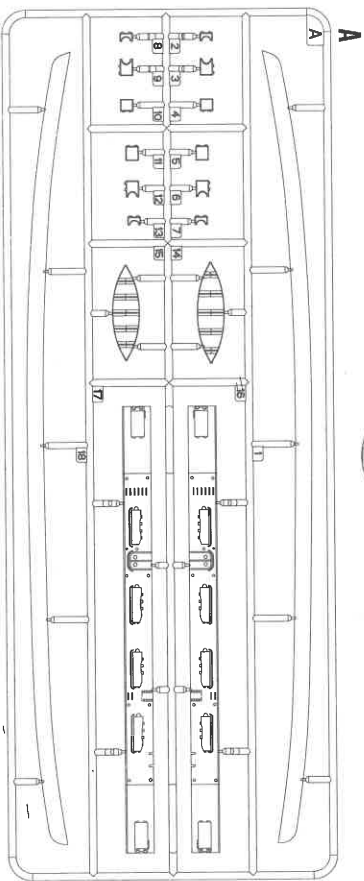
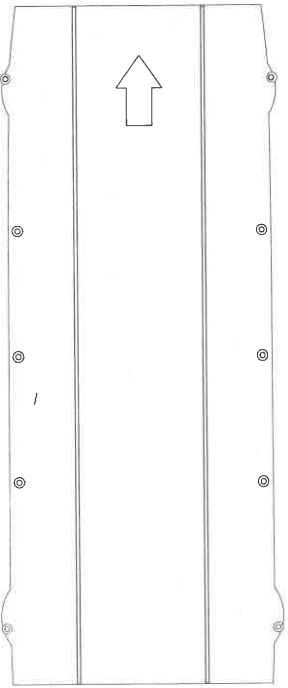
《甲板VI》  
Deck VI

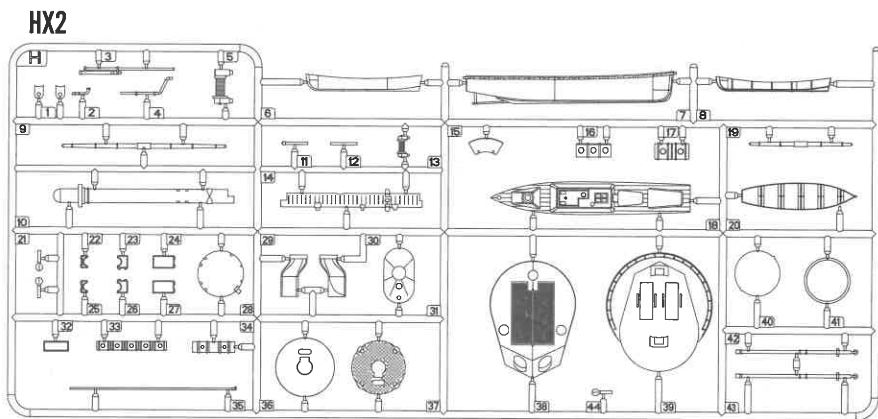
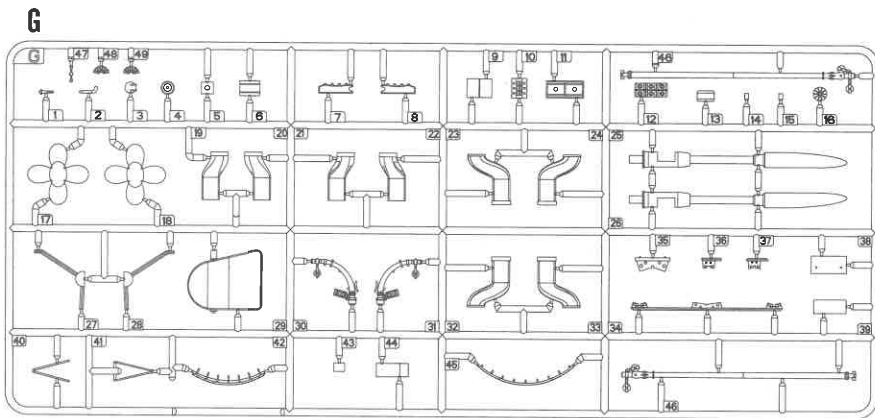
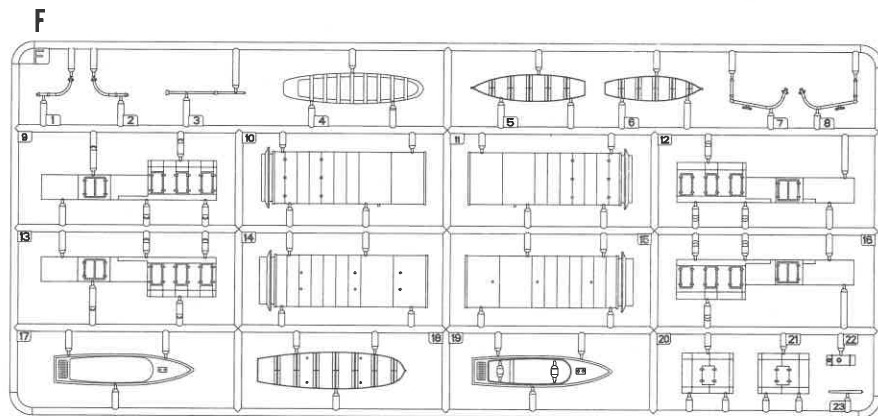
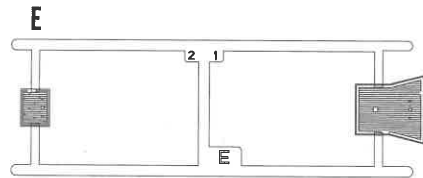
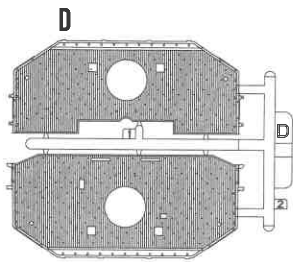
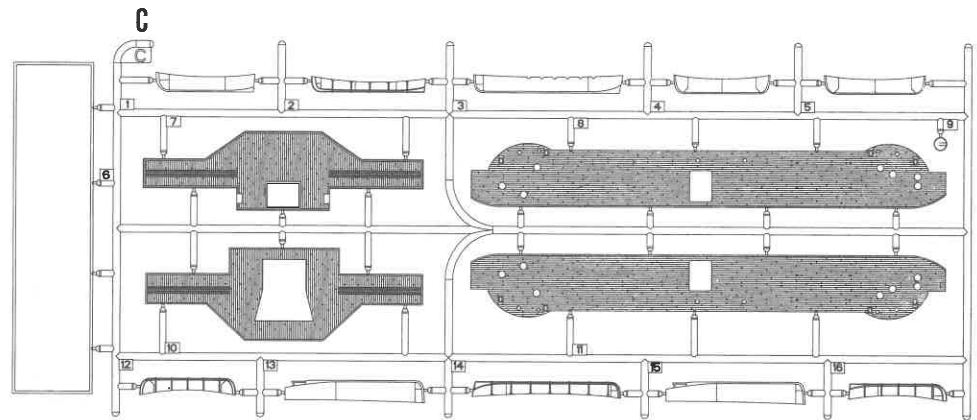
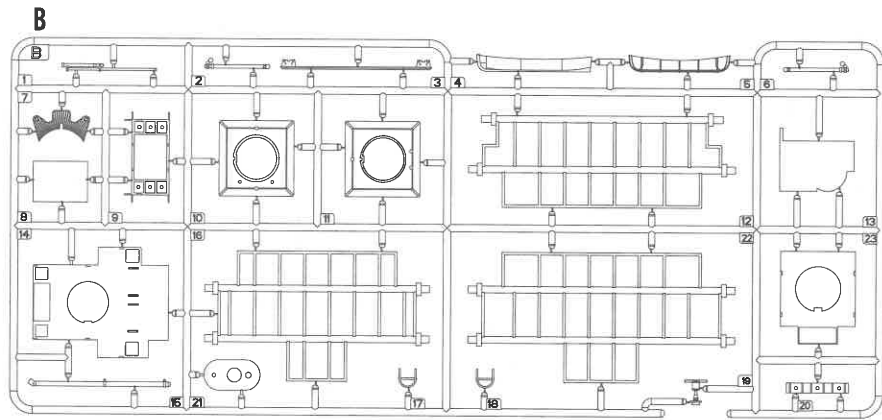


《甲板V4》  
Deck V4

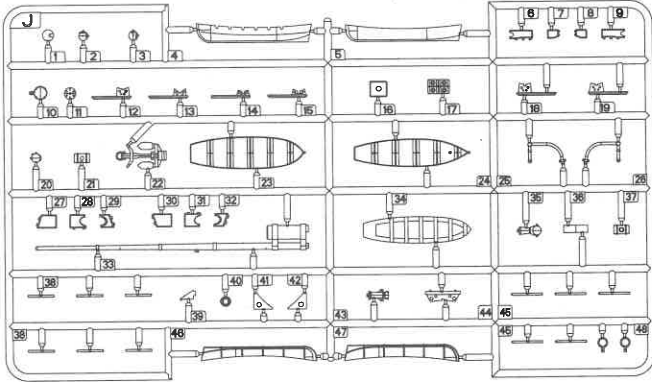


《甲板V2》  
Deck V2

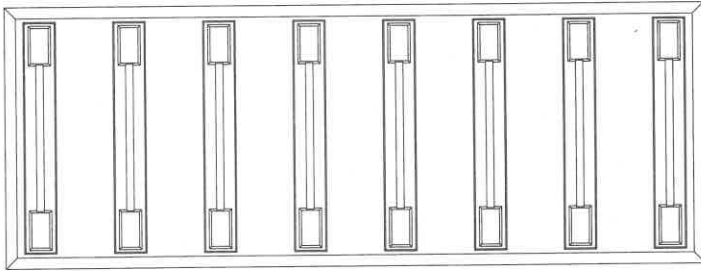




JX3



《座架》 Stand



KX4

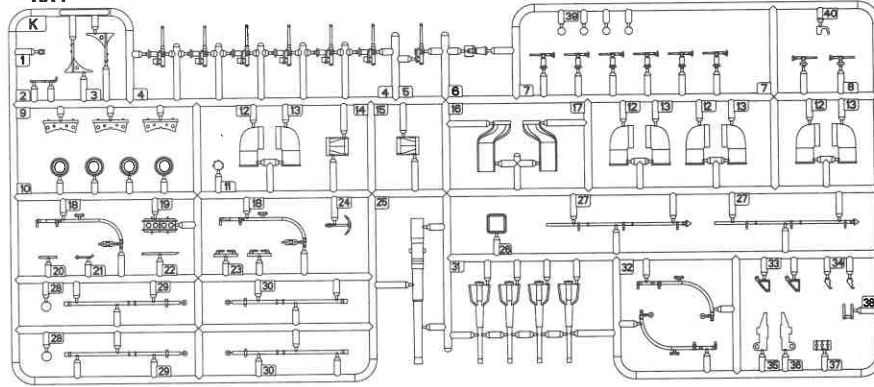


Photo Etched (A)

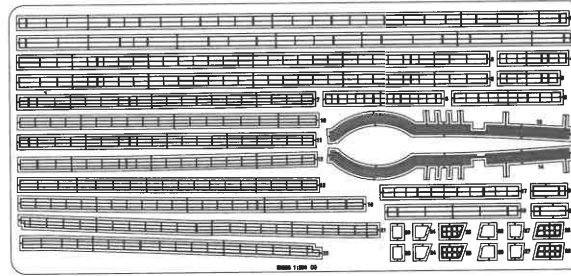


Photo Etched (B)

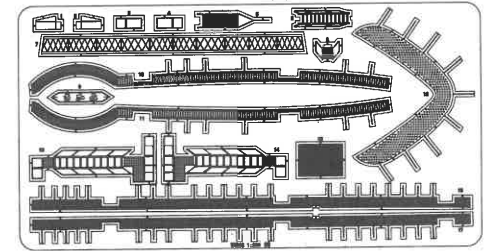


Photo Etched (C)X2

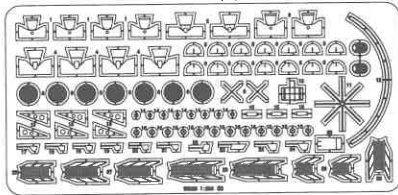


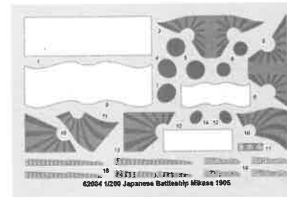
Photo Etched (K)



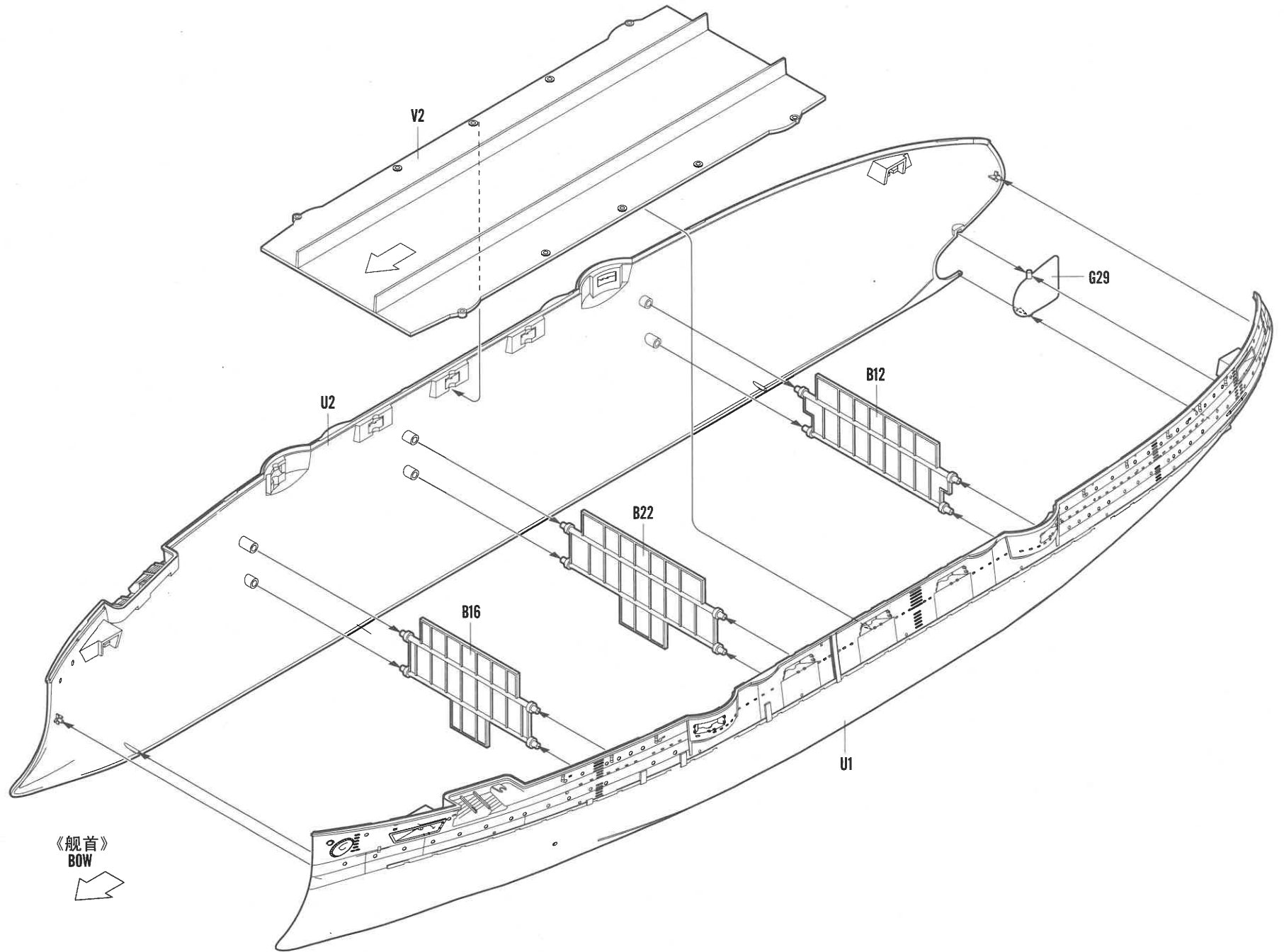
《锚链》 Chain



《水贴》 Decal

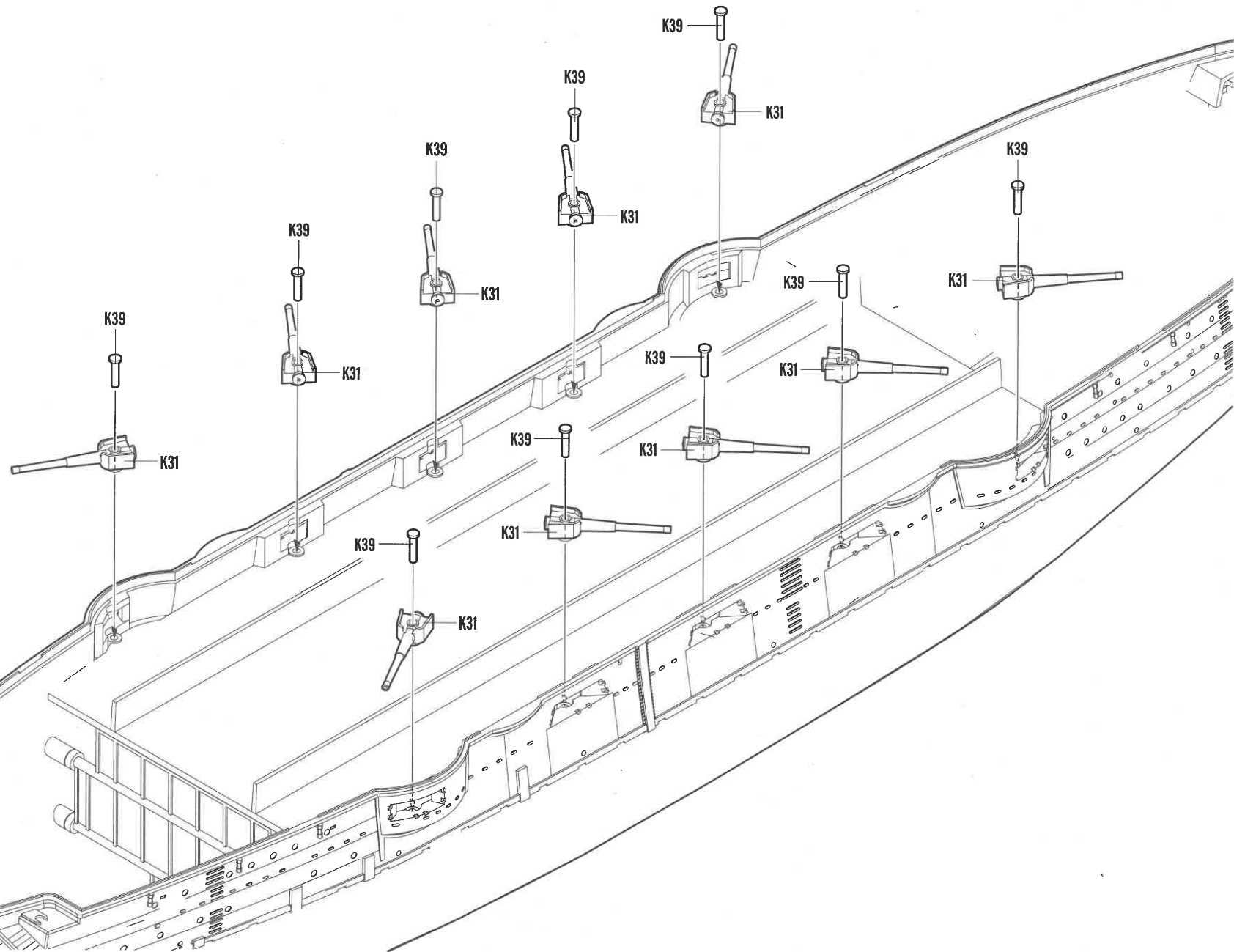


STEP  
**1**

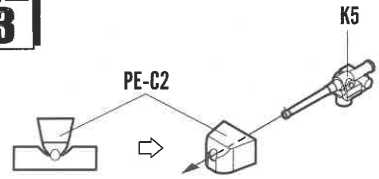


STEP  
2

《舰首》  
BOW

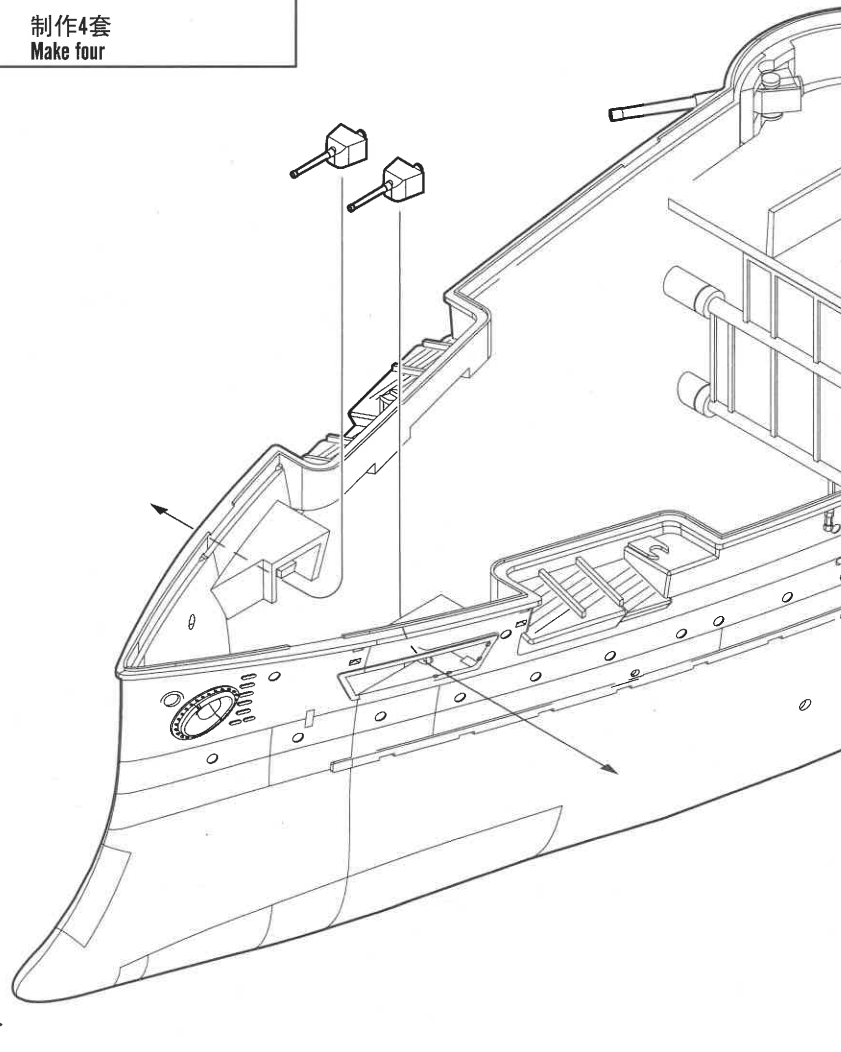


STEP 3

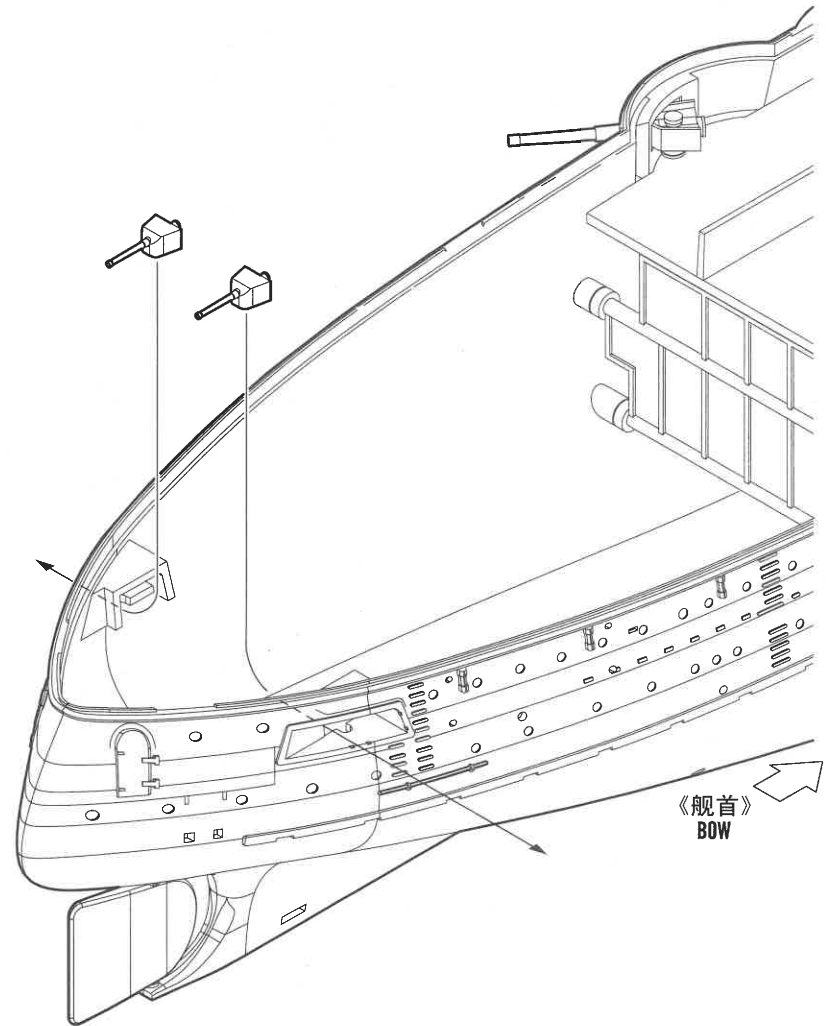


制作4套  
Make four

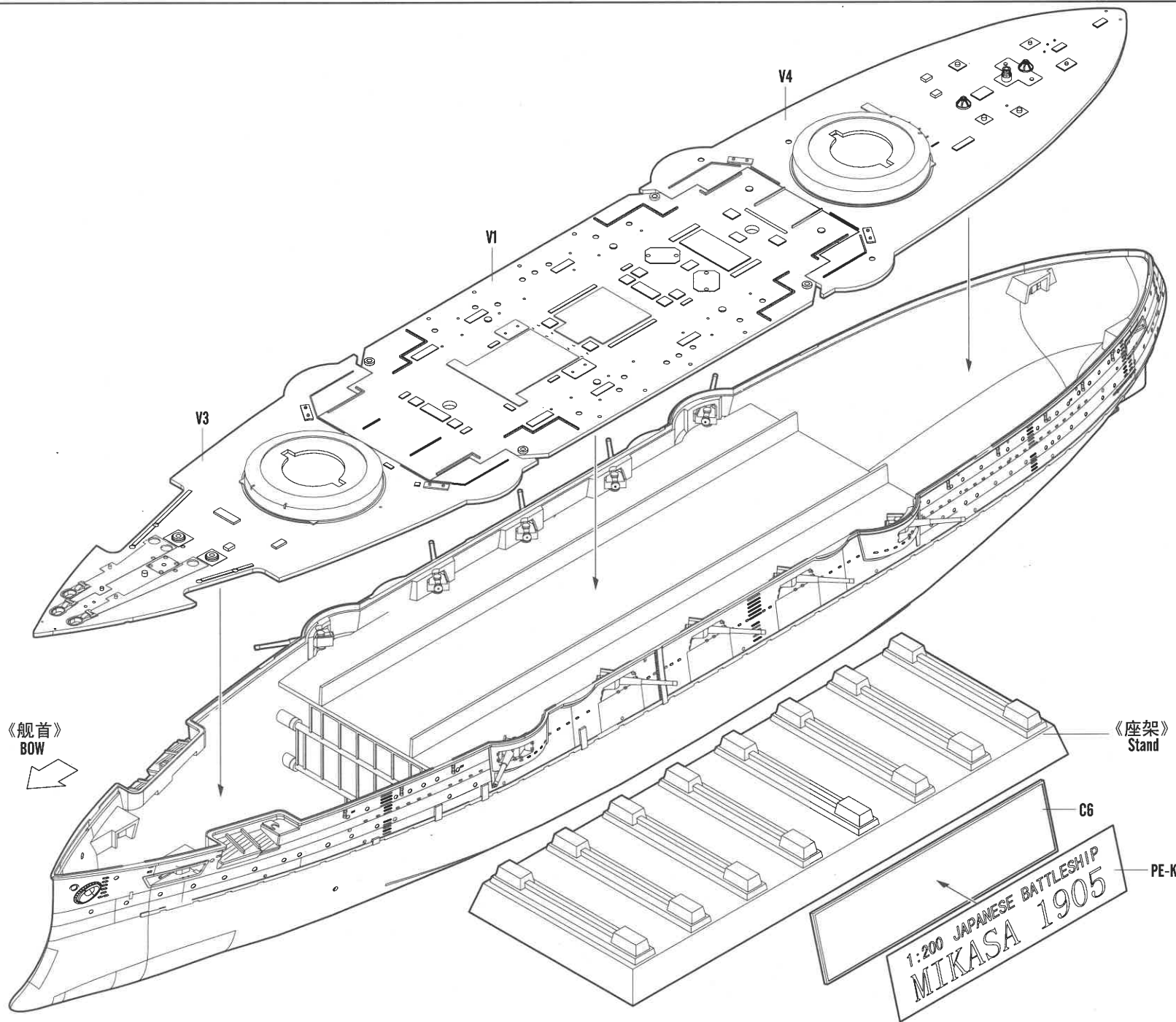
STEP 4



STEP 5

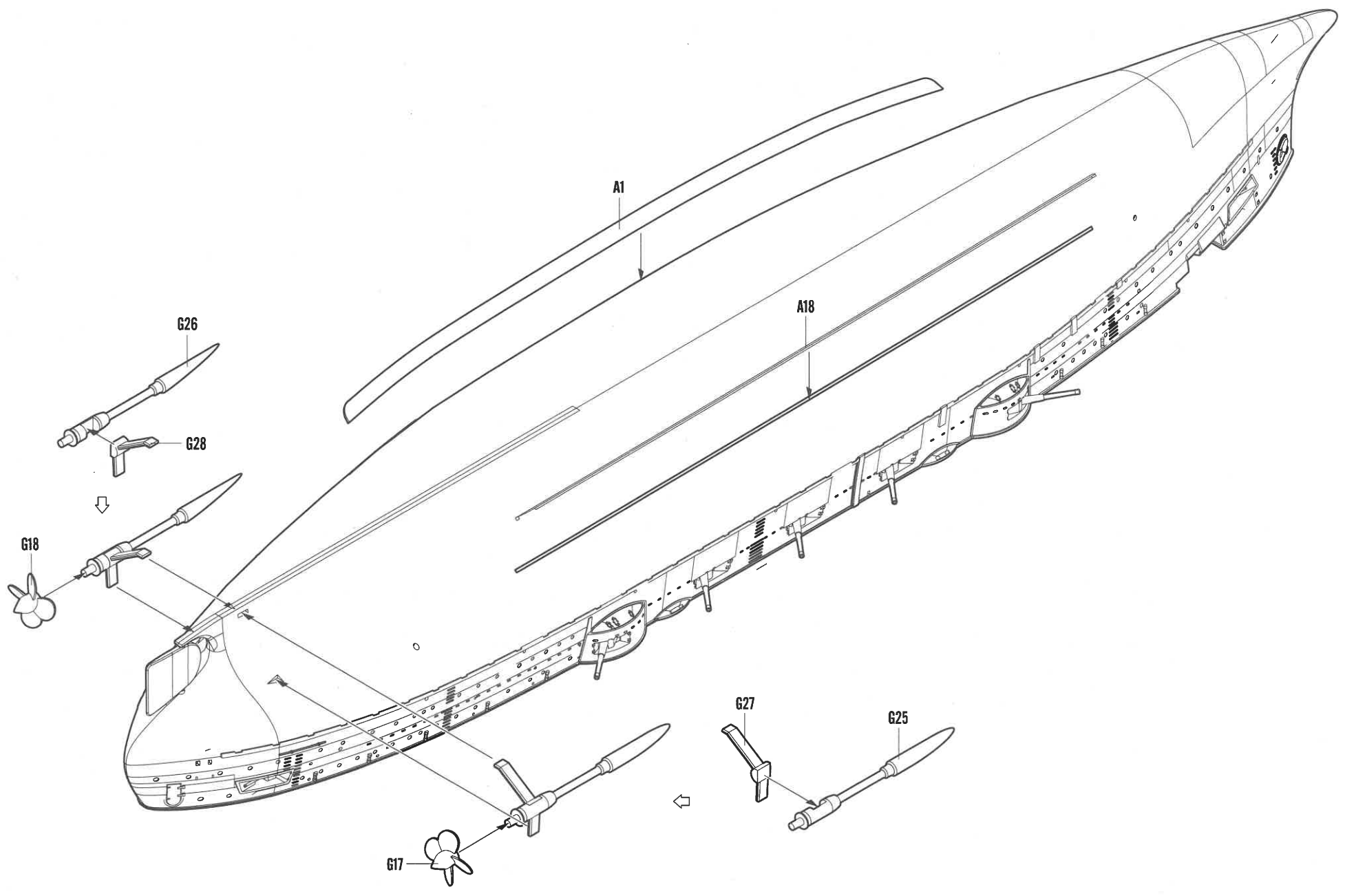


STEP  
6

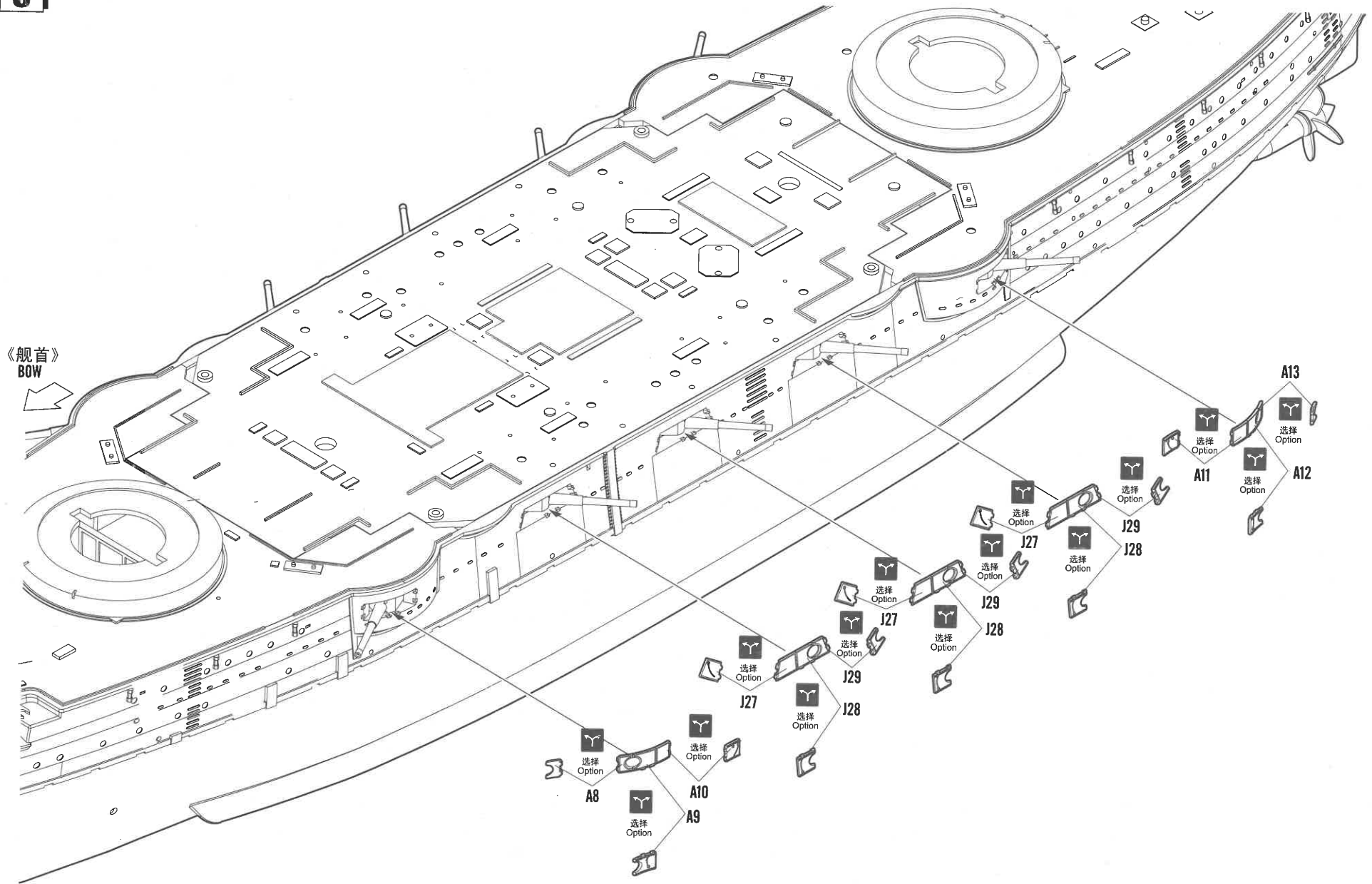




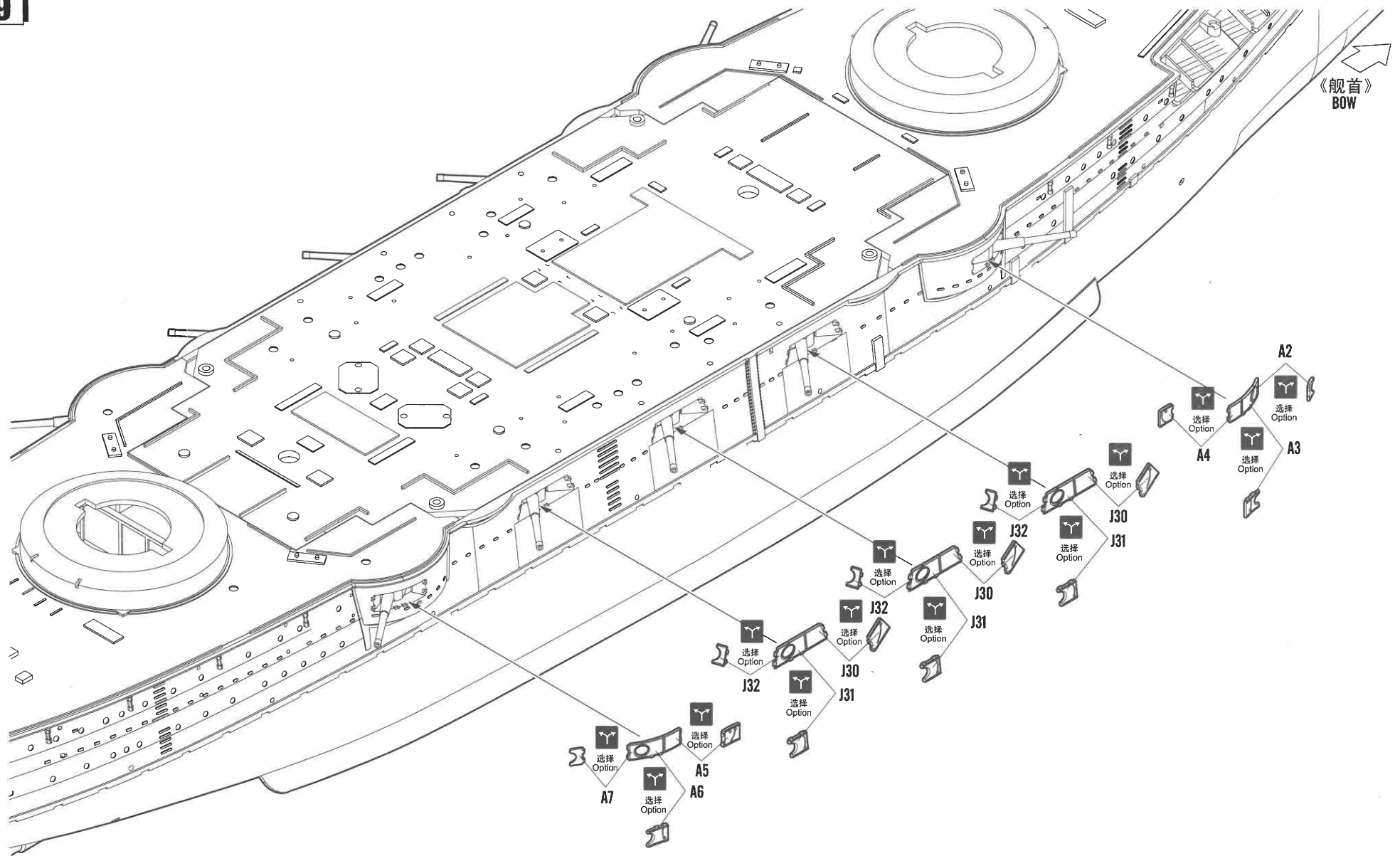
STEP  
7



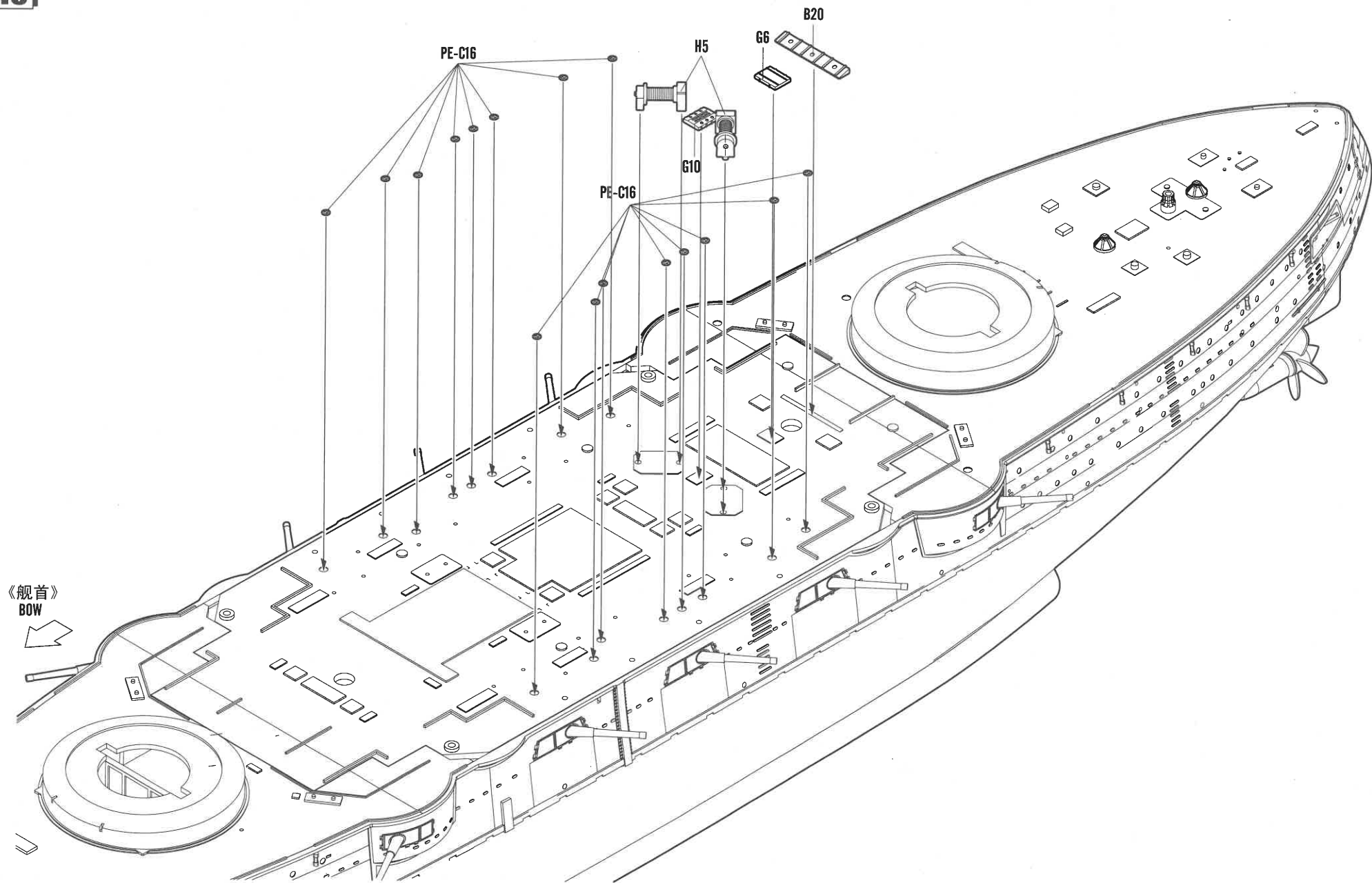
STEP  
8



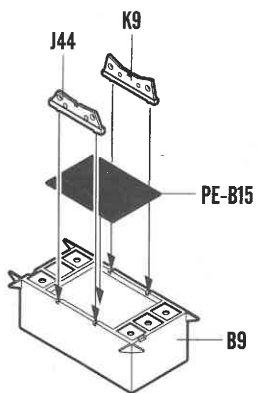
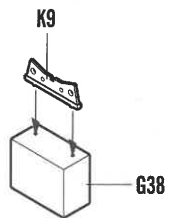
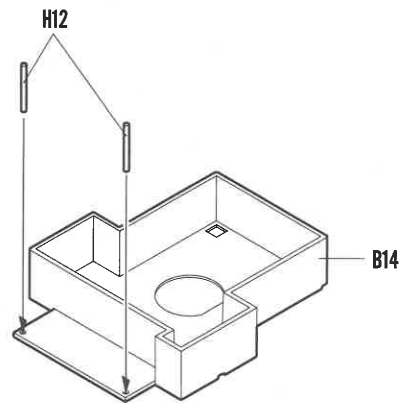
STEP  
9



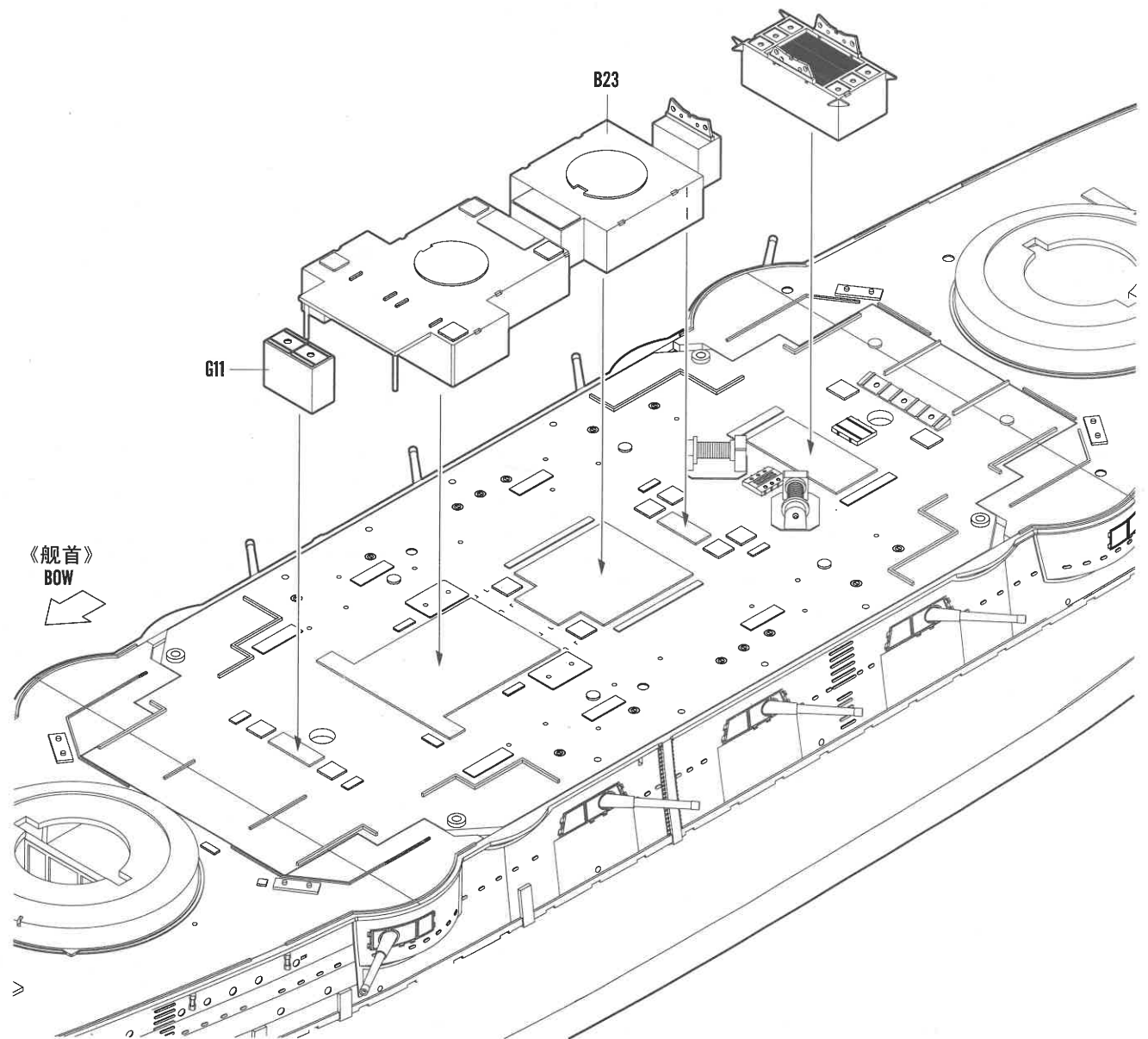
STEP  
10



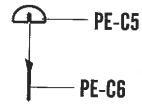
STEP  
11



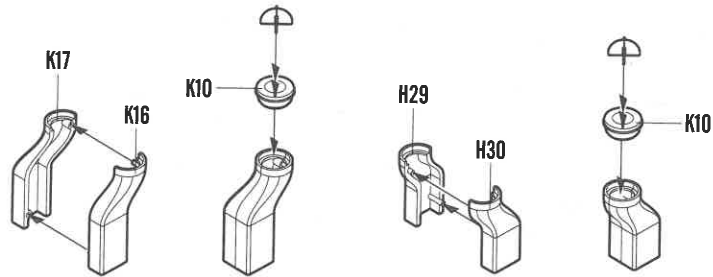
STEP  
12



STEP  
13

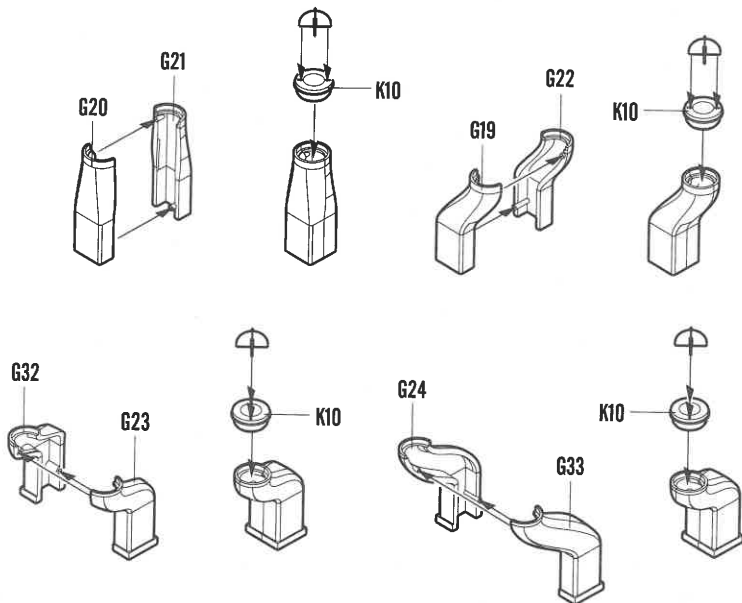


制作14套  
Make fourteen

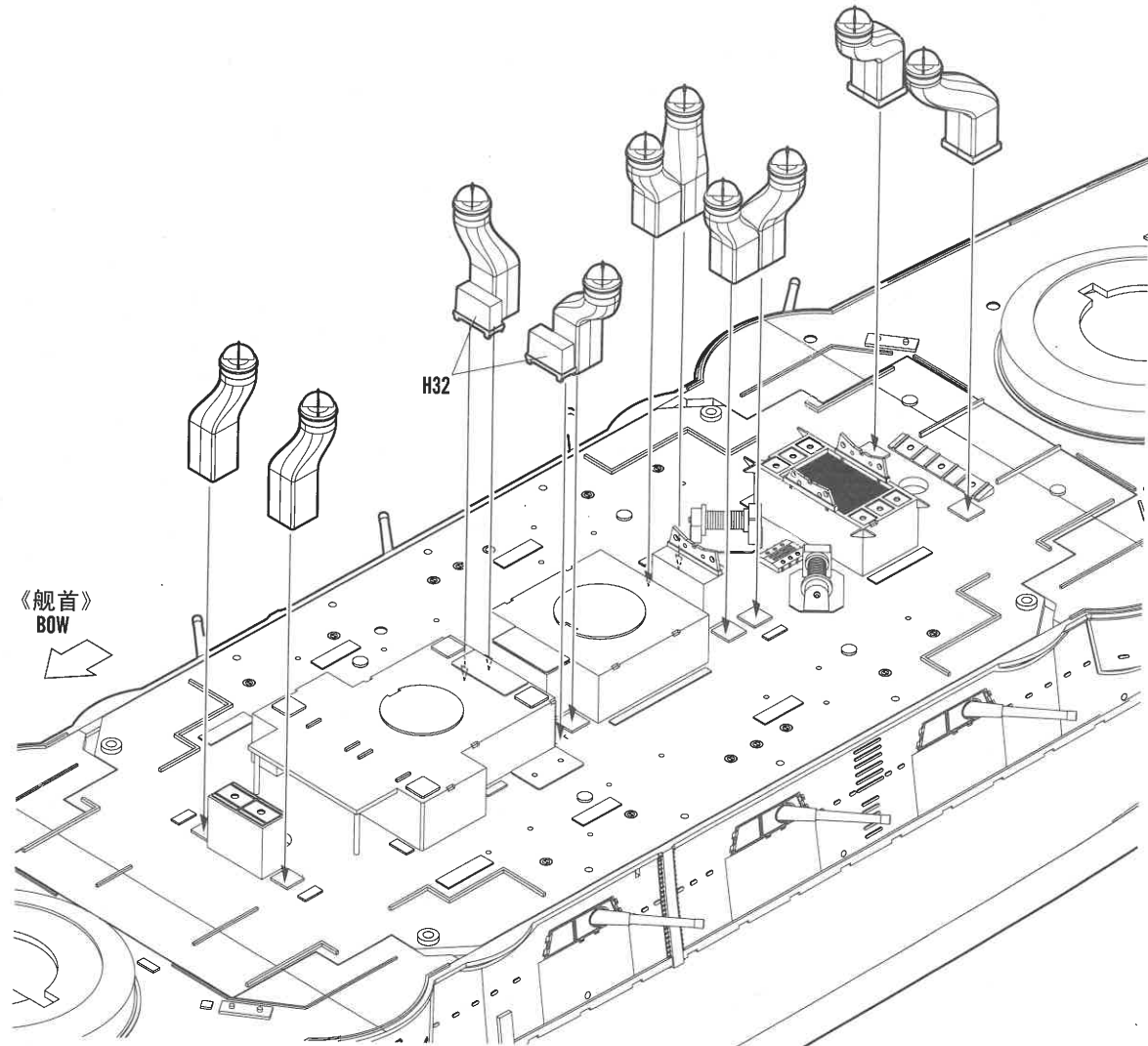


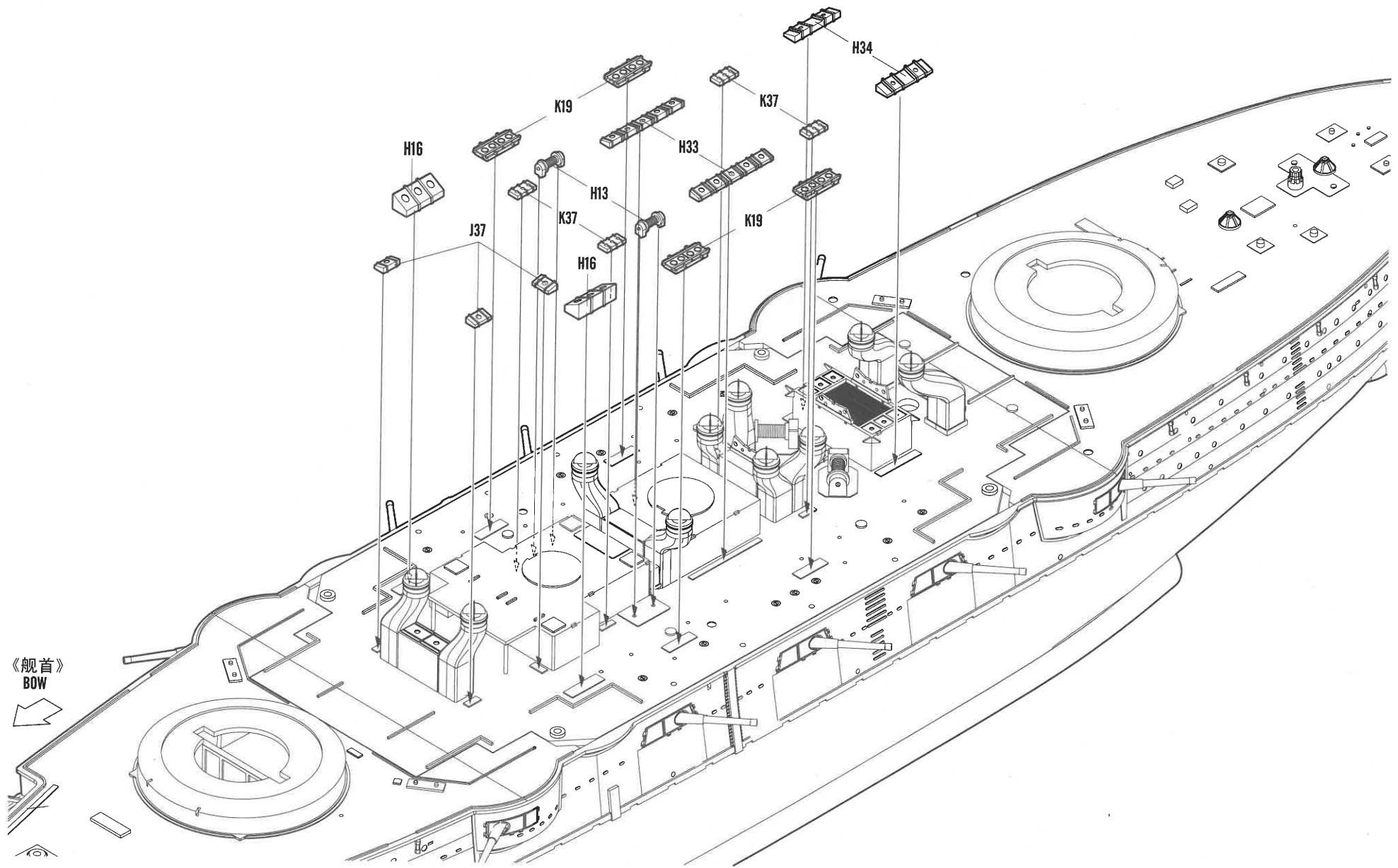
制作4套  
Make four

制作2套  
Make two

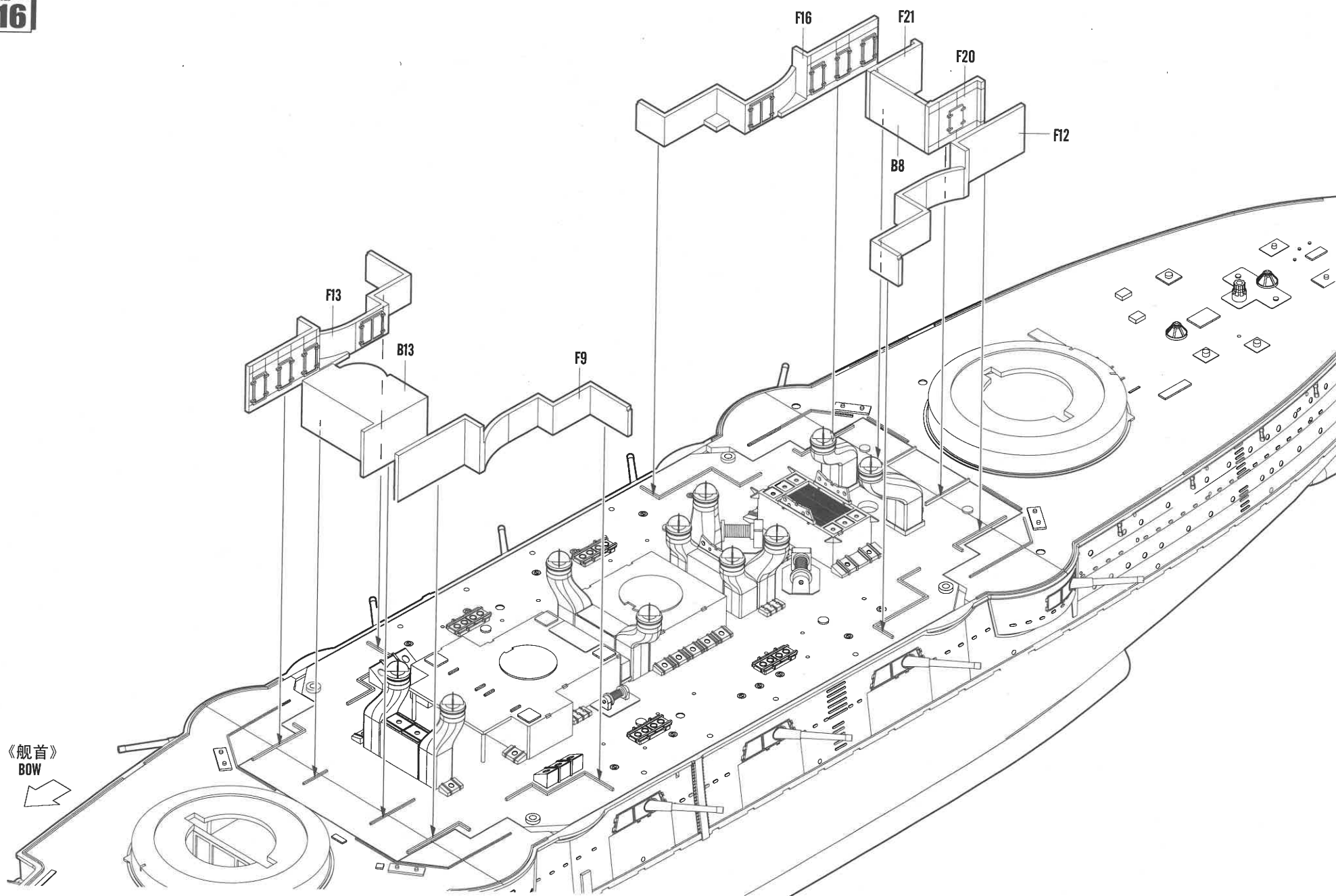


STEP  
14

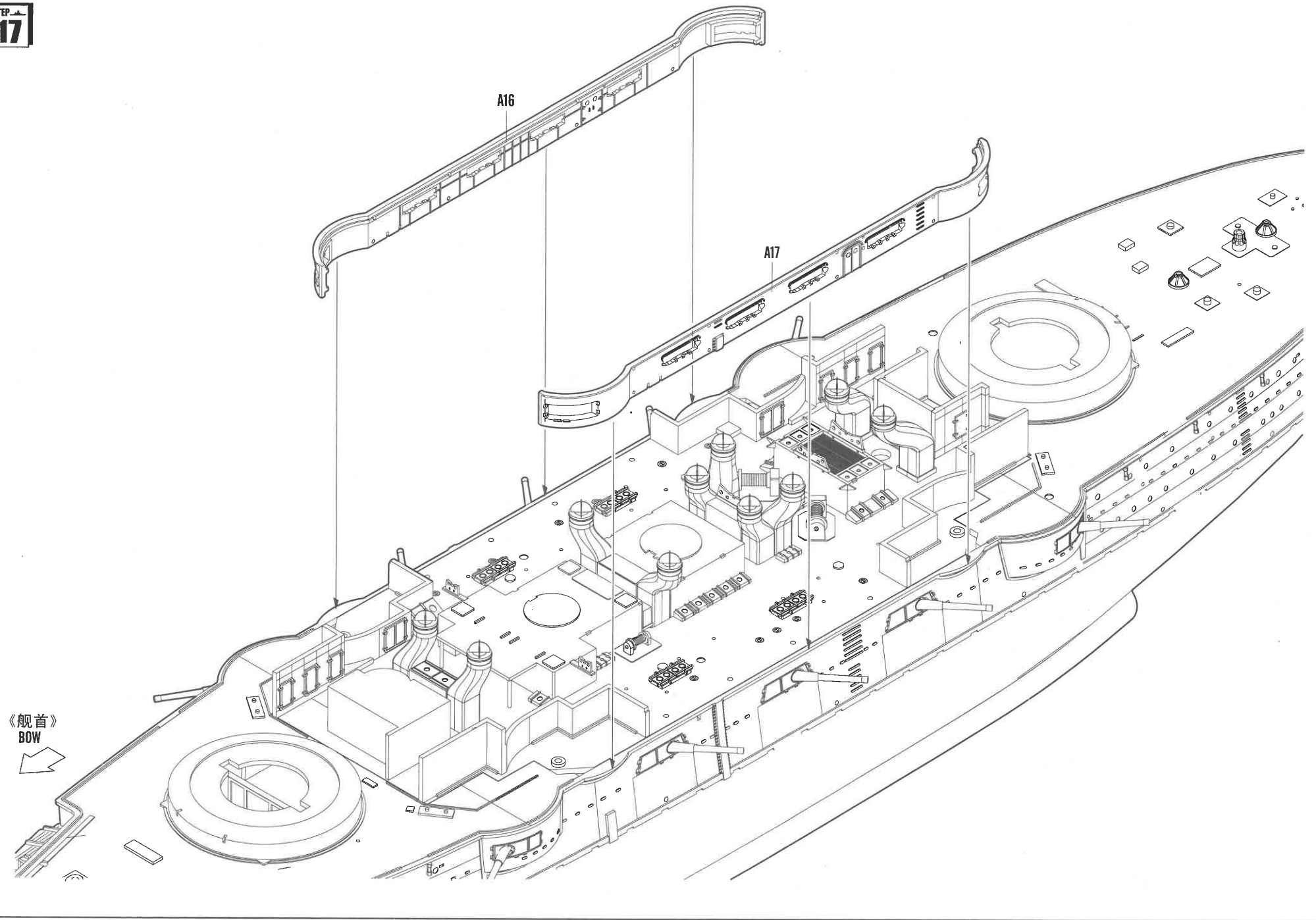


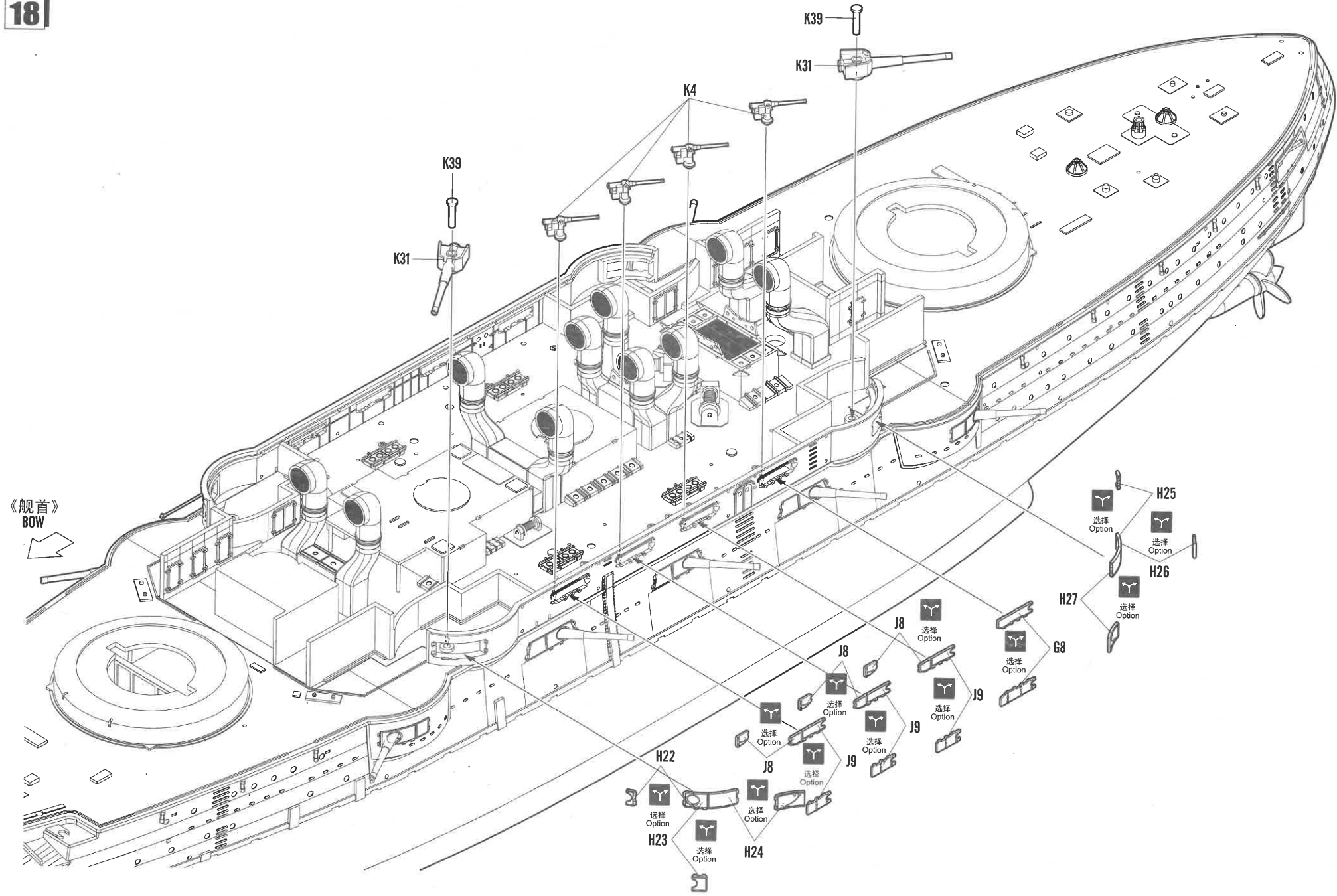


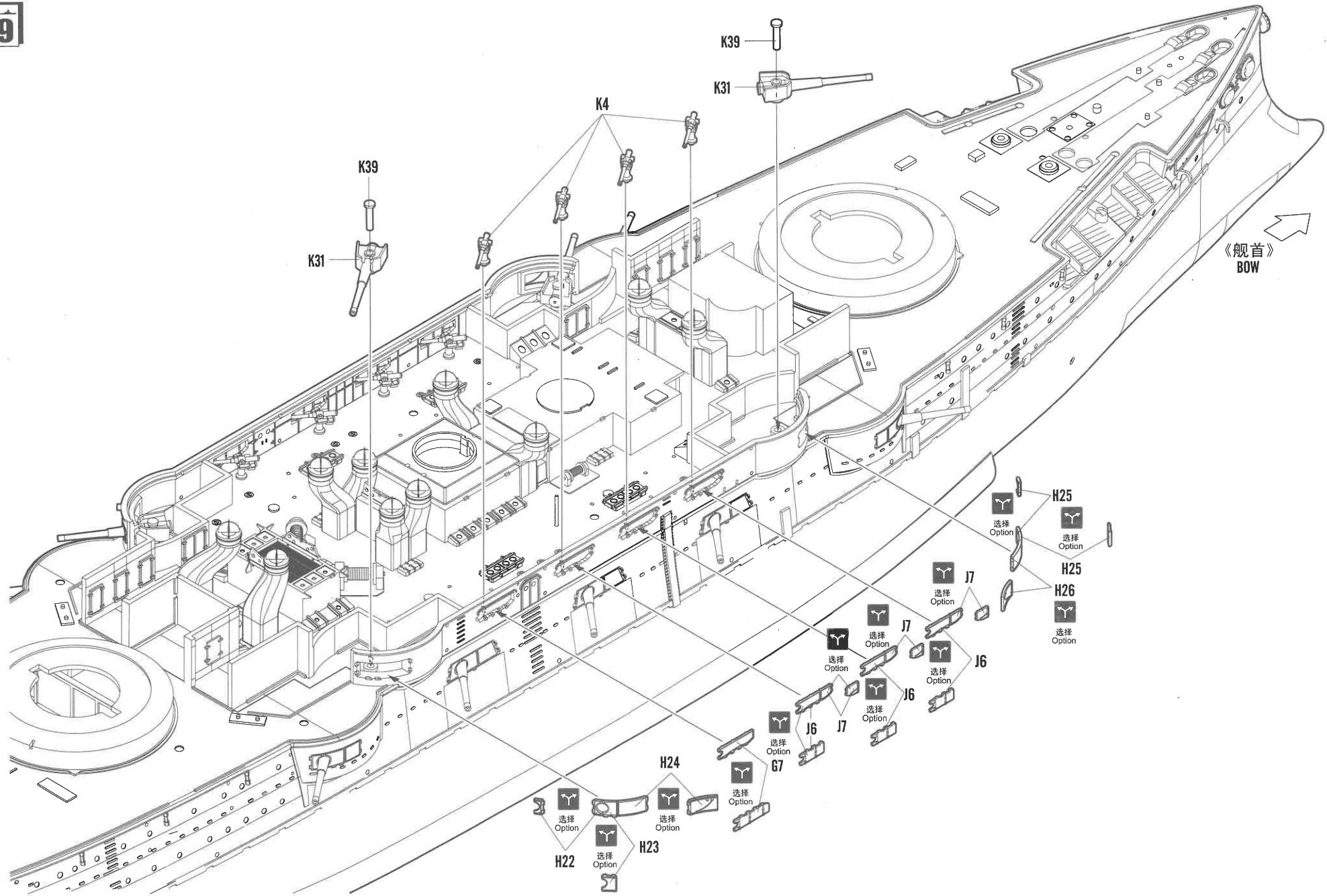
STEP  
16



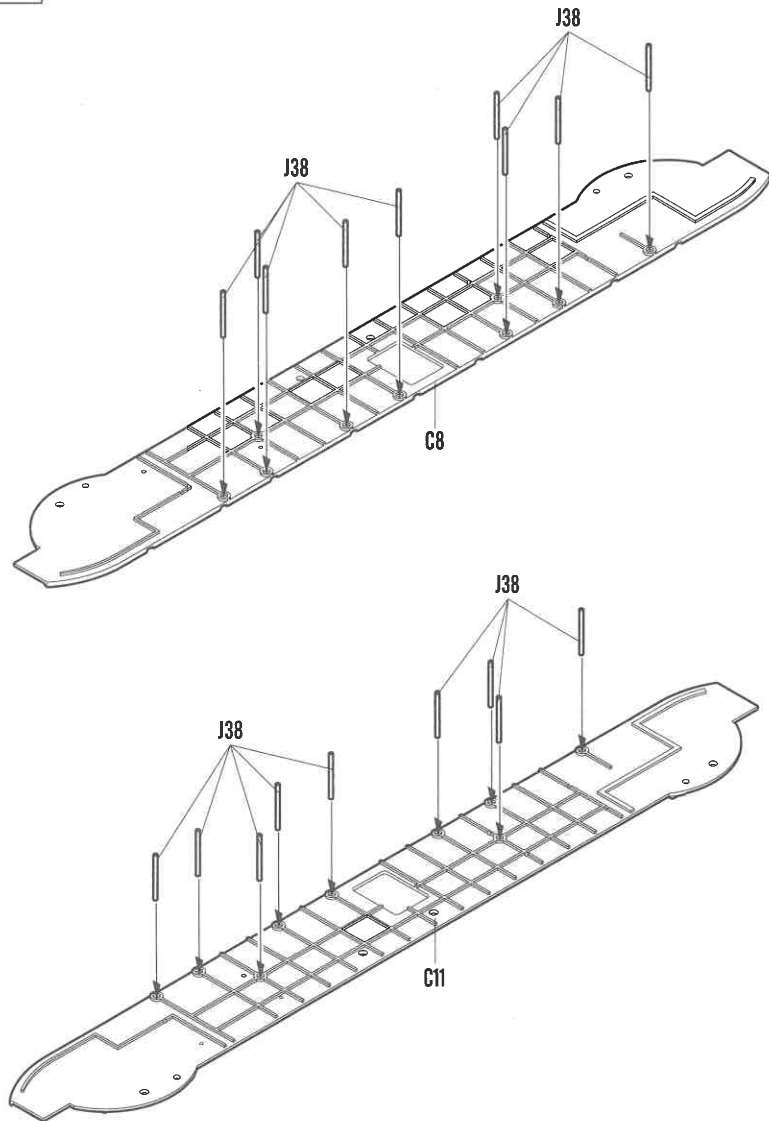






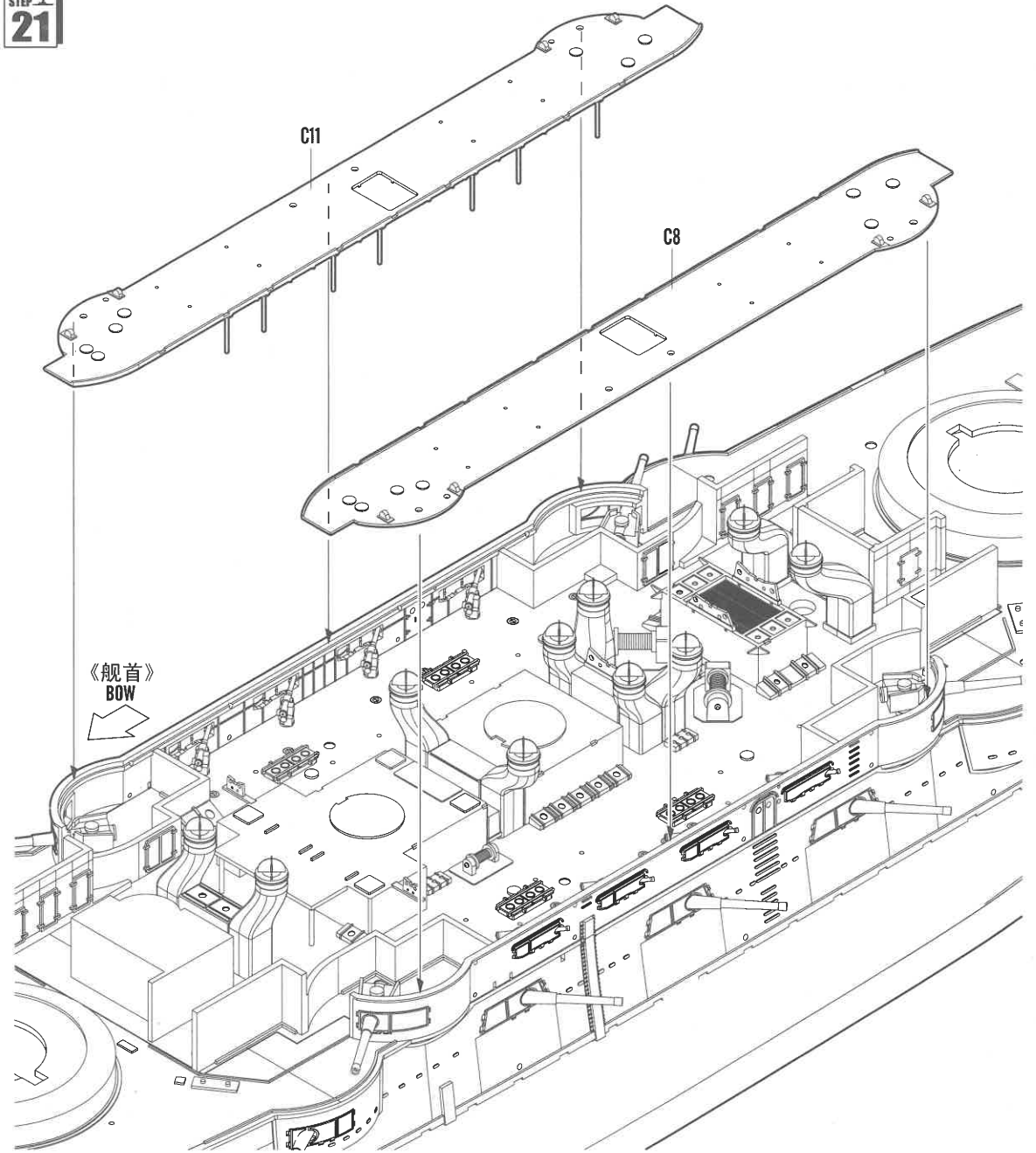


STEP  
20



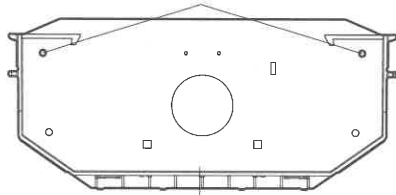
62004

STEP  
21



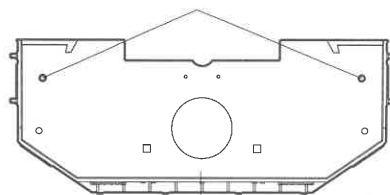
20

↓  
钻孔  
Make hole



D2

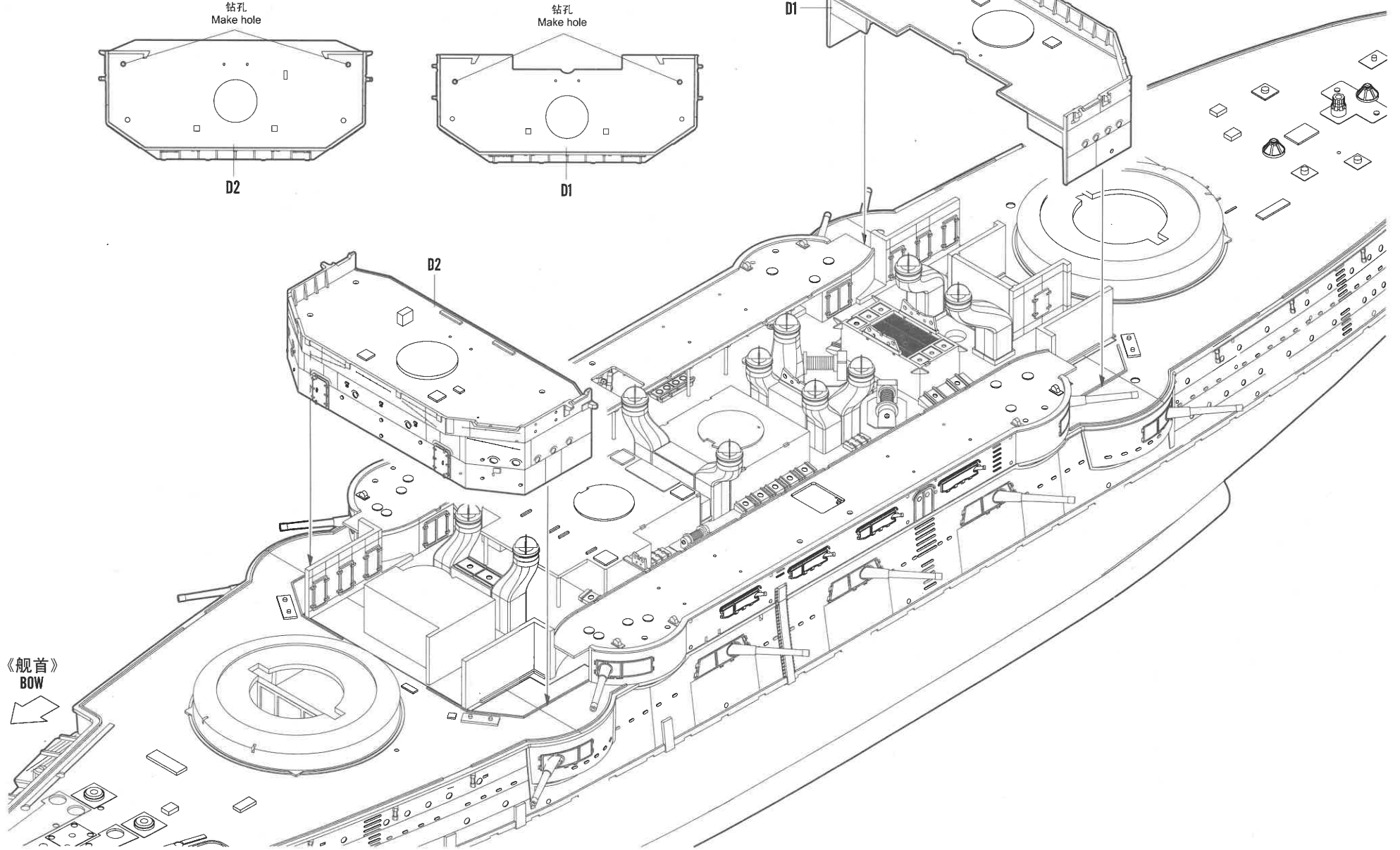
↓  
钻孔  
Make hole



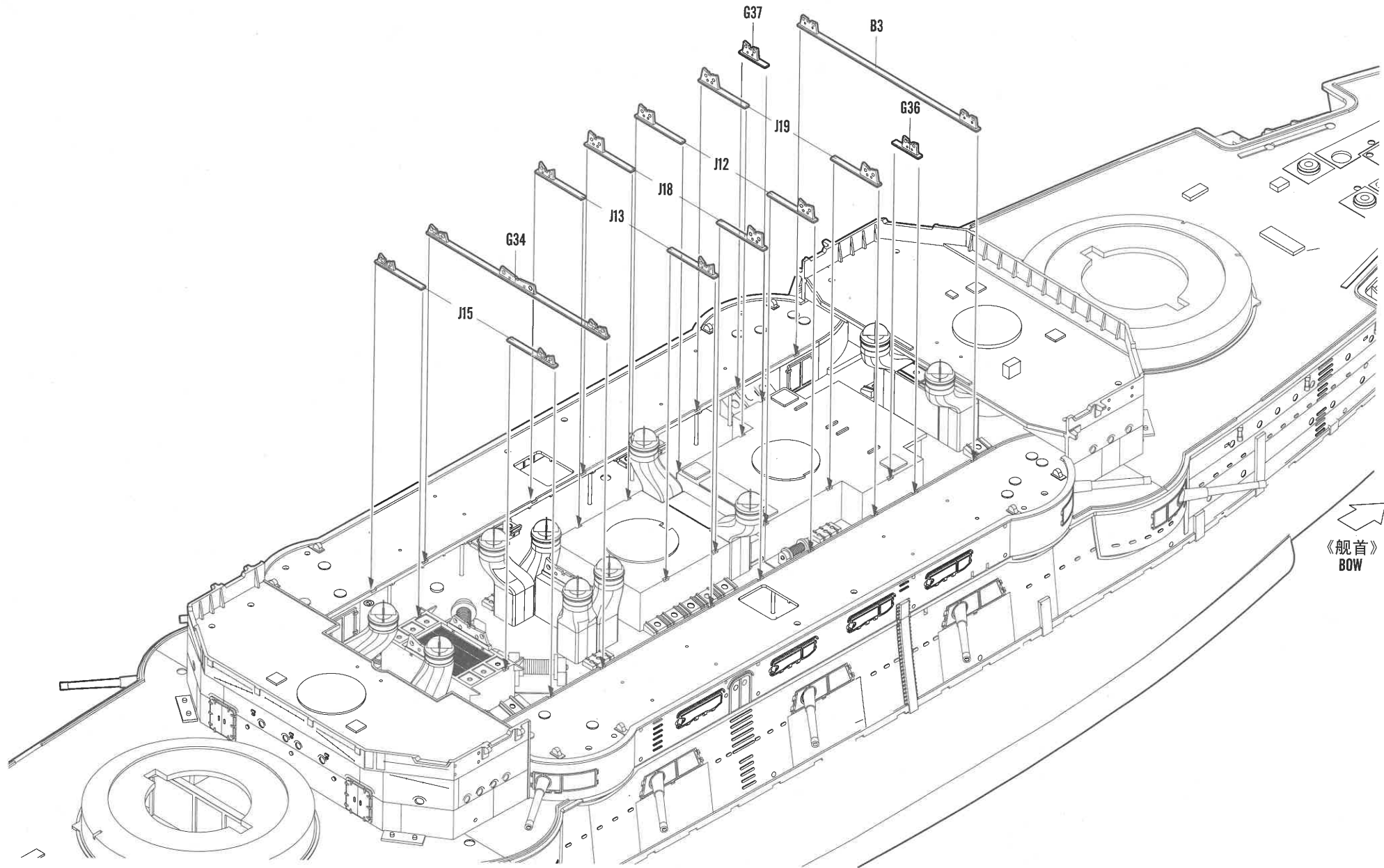
D1

D1

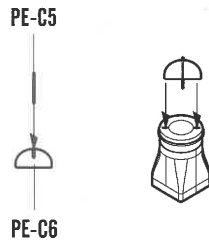
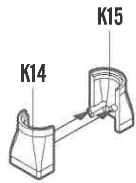
《舰首》  
BOW



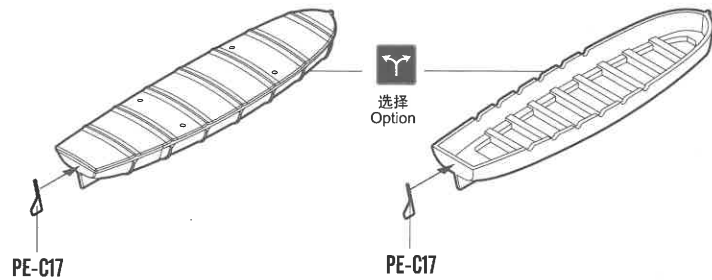
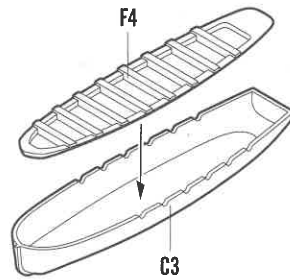
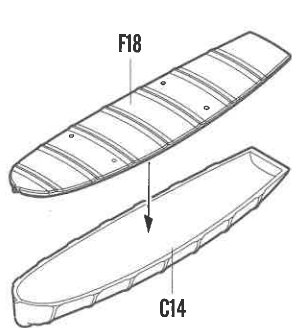
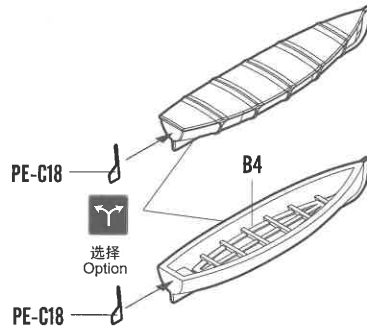
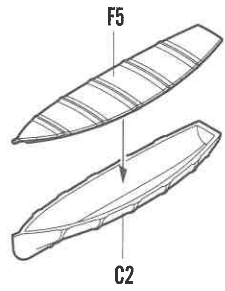
STEP  
23



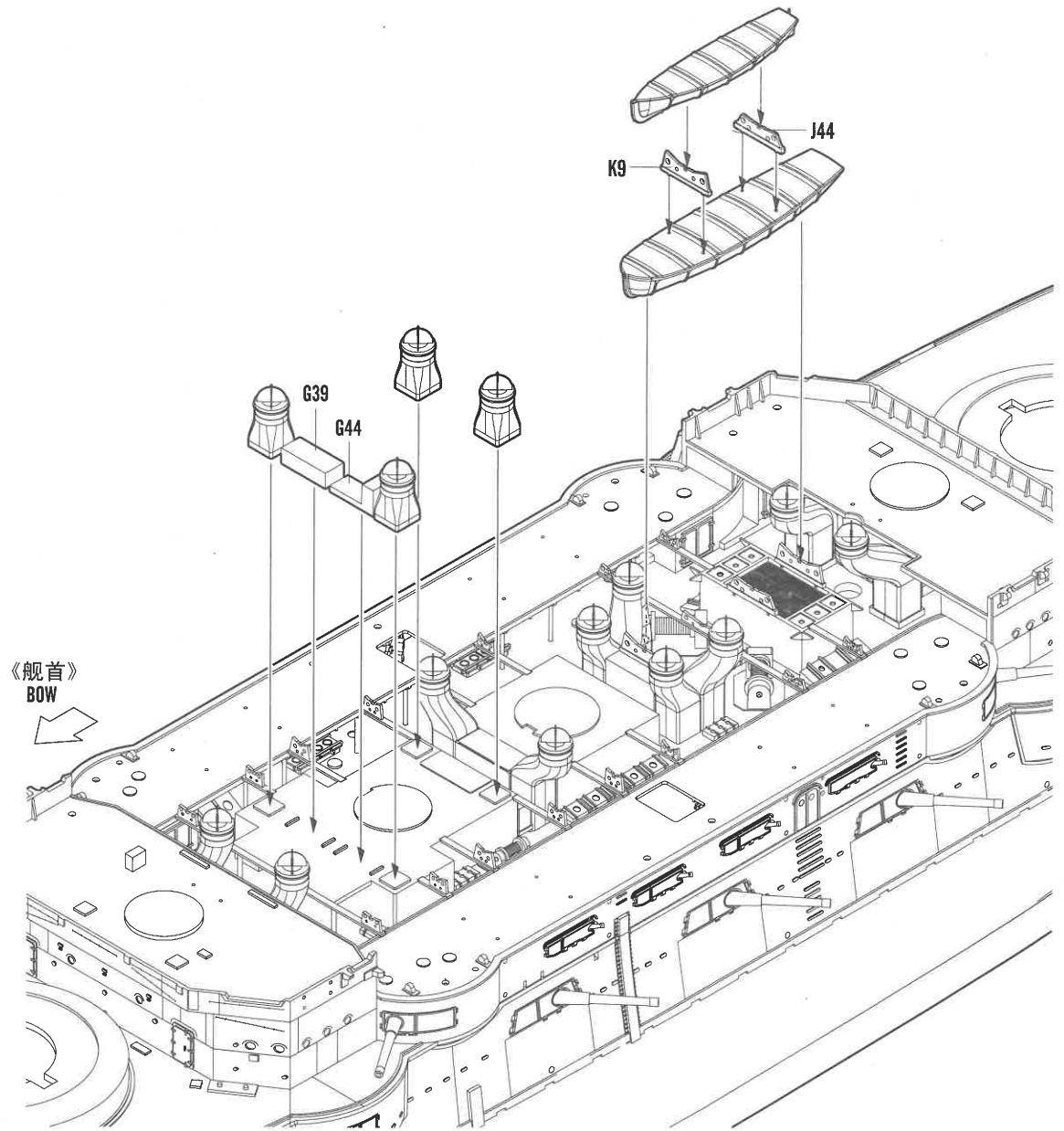
STEP  
24



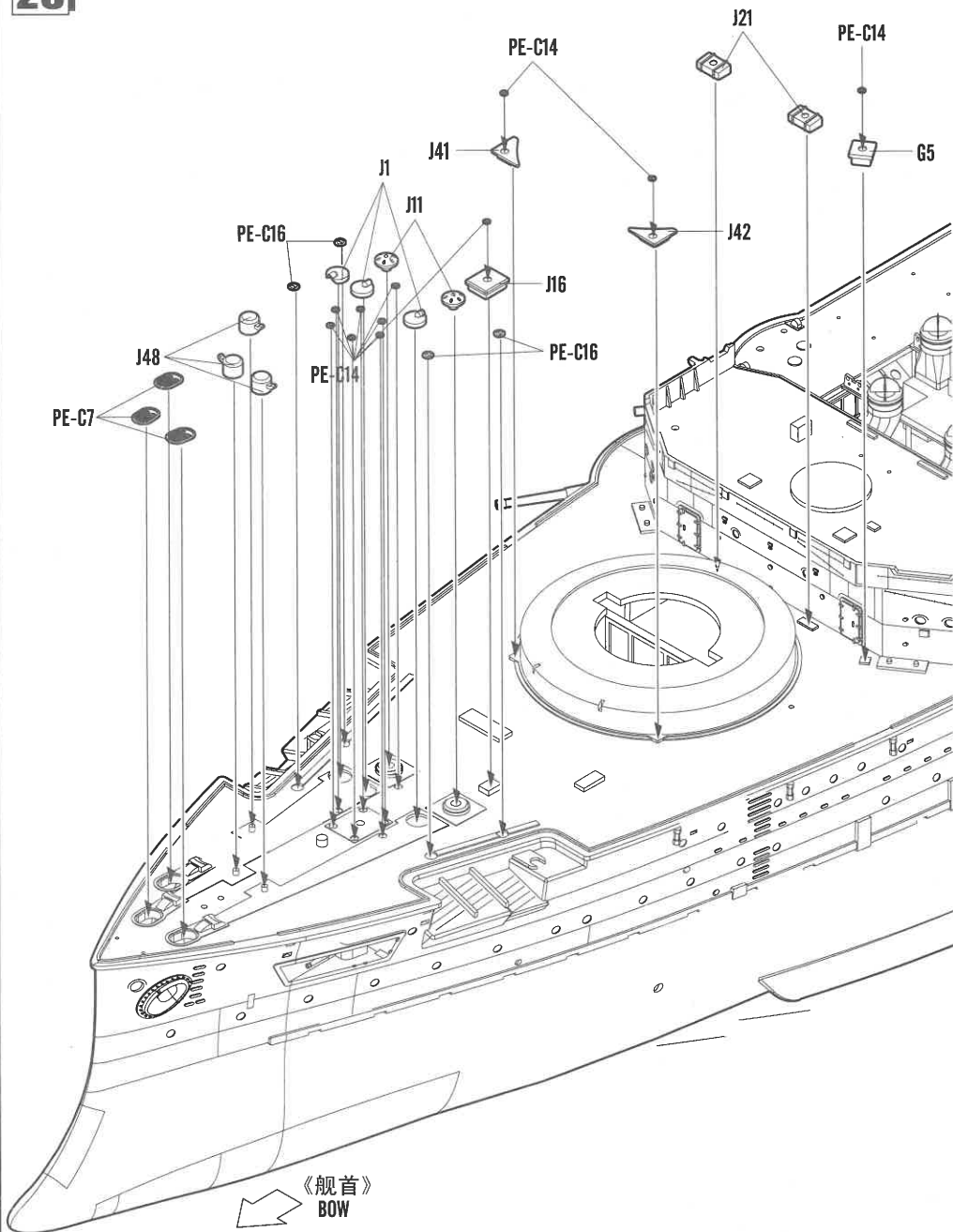
制作4套  
Make four



STEP  
25

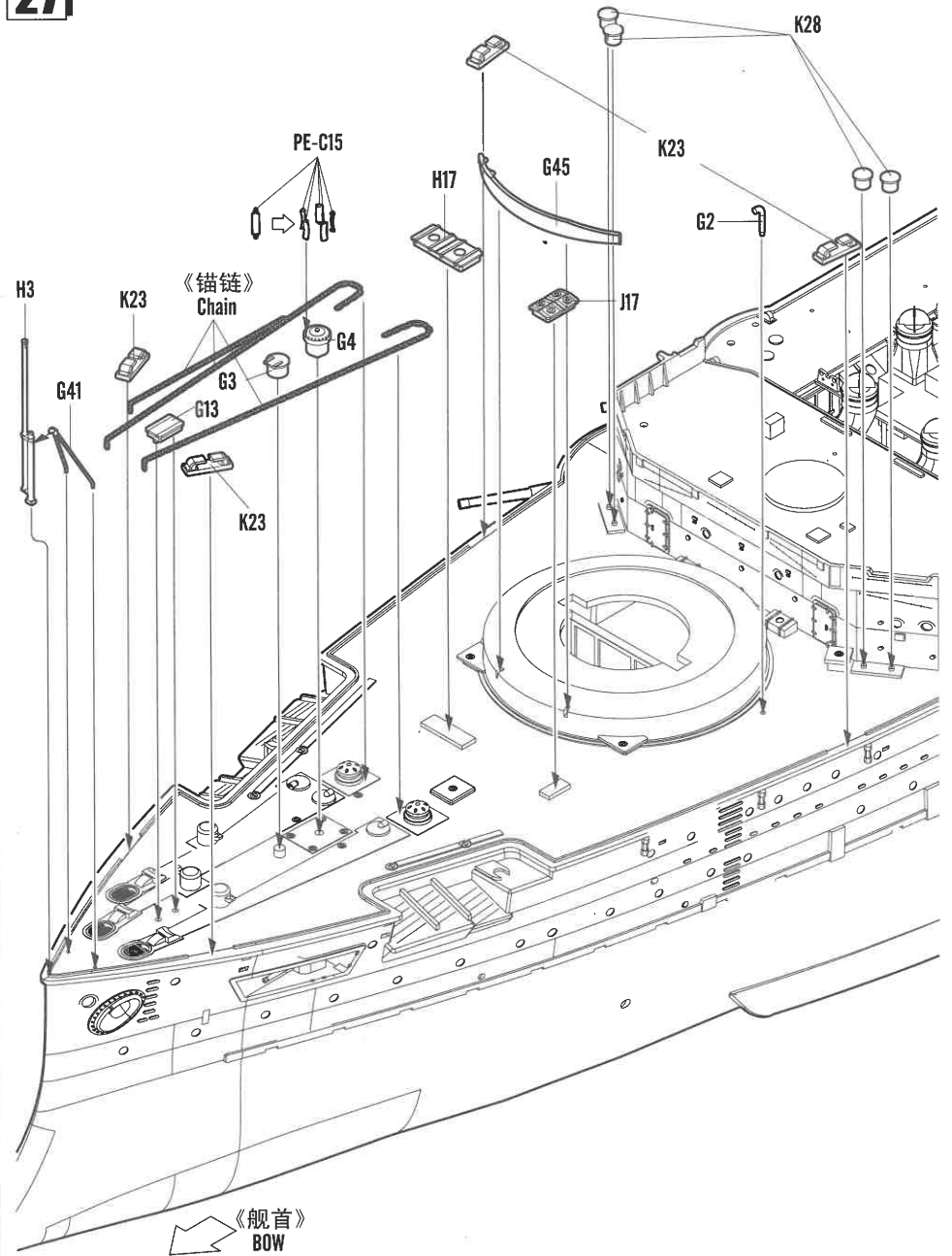


STEP  
26



62004

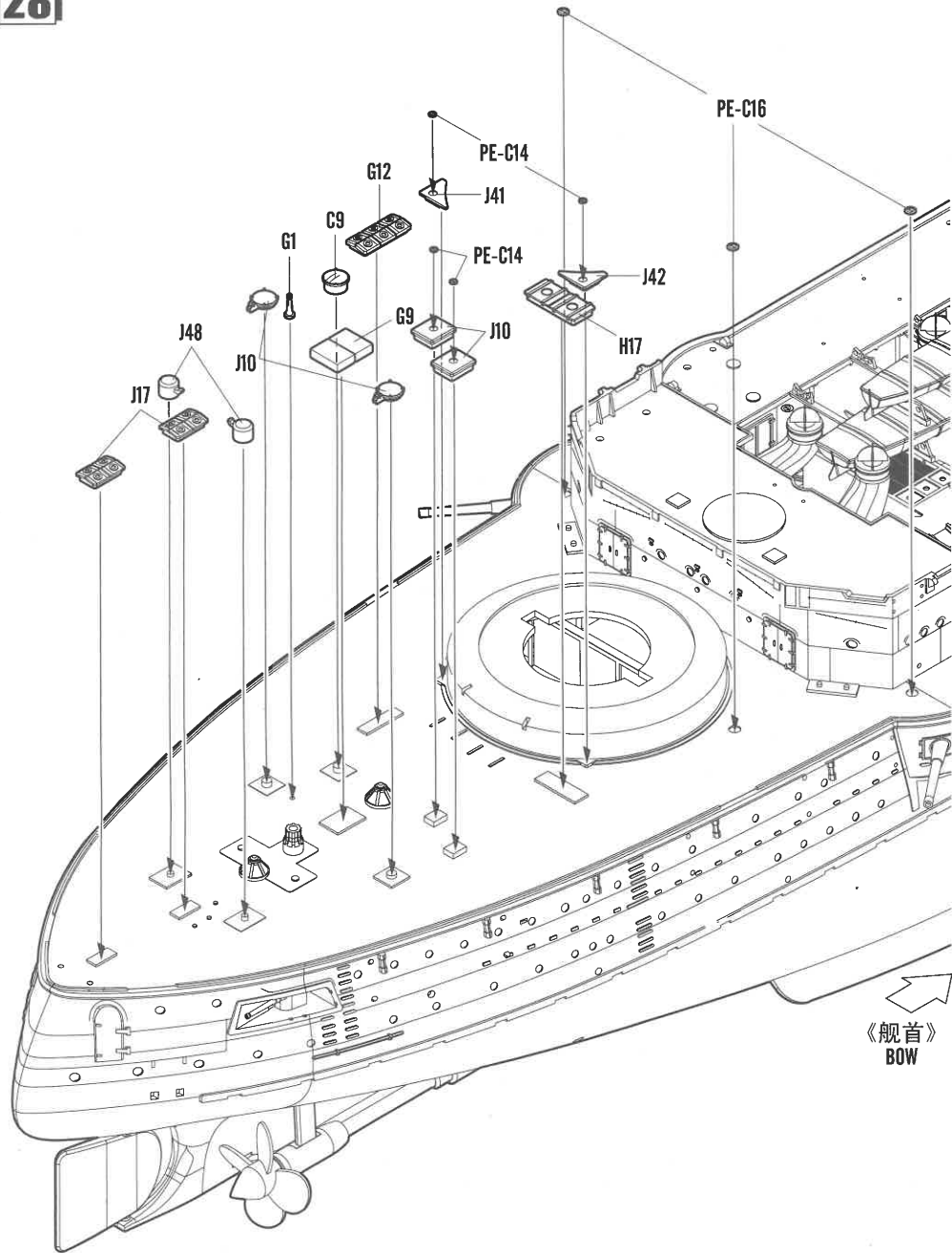
STEP  
27



24

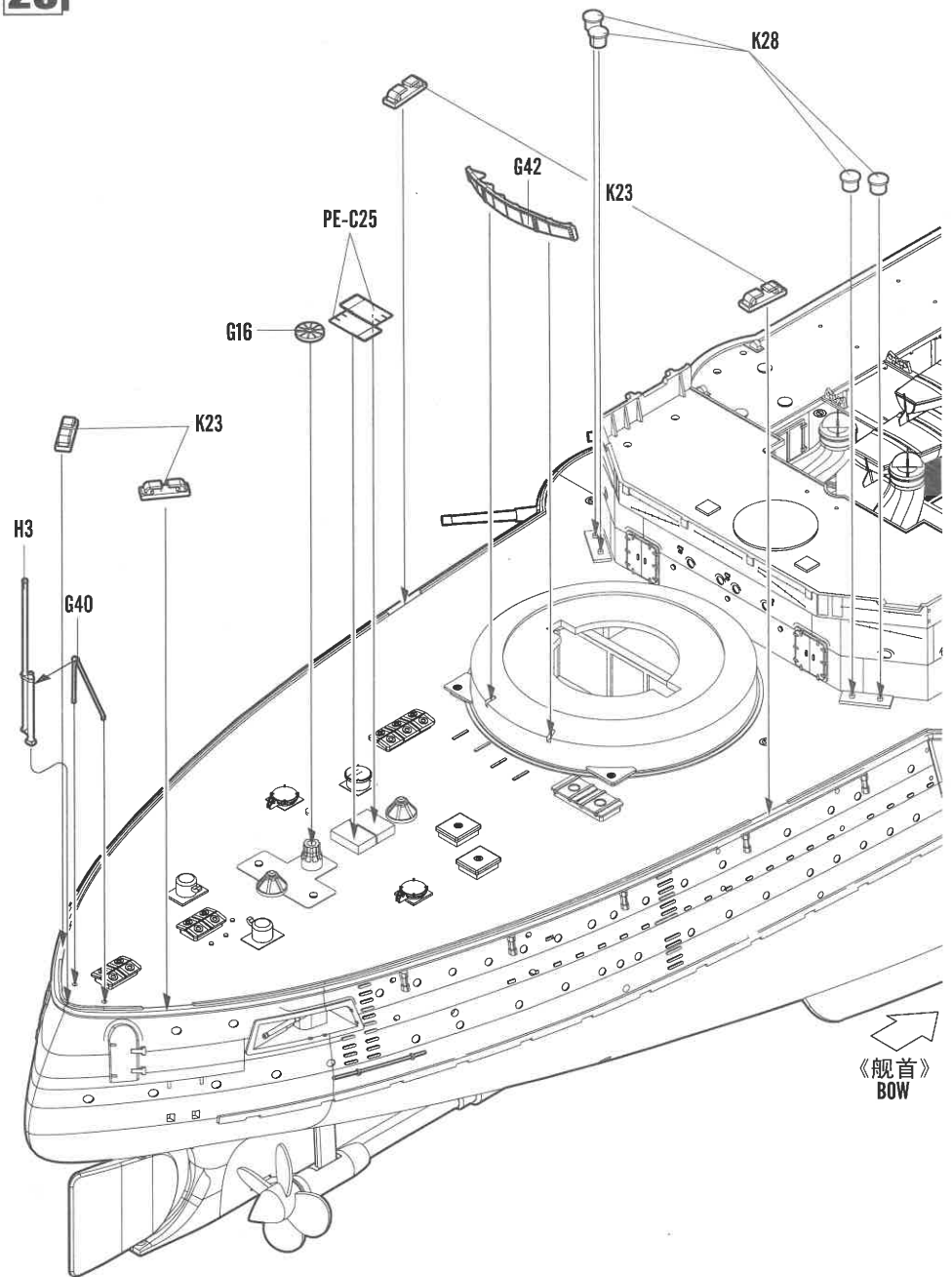


STEP  
28



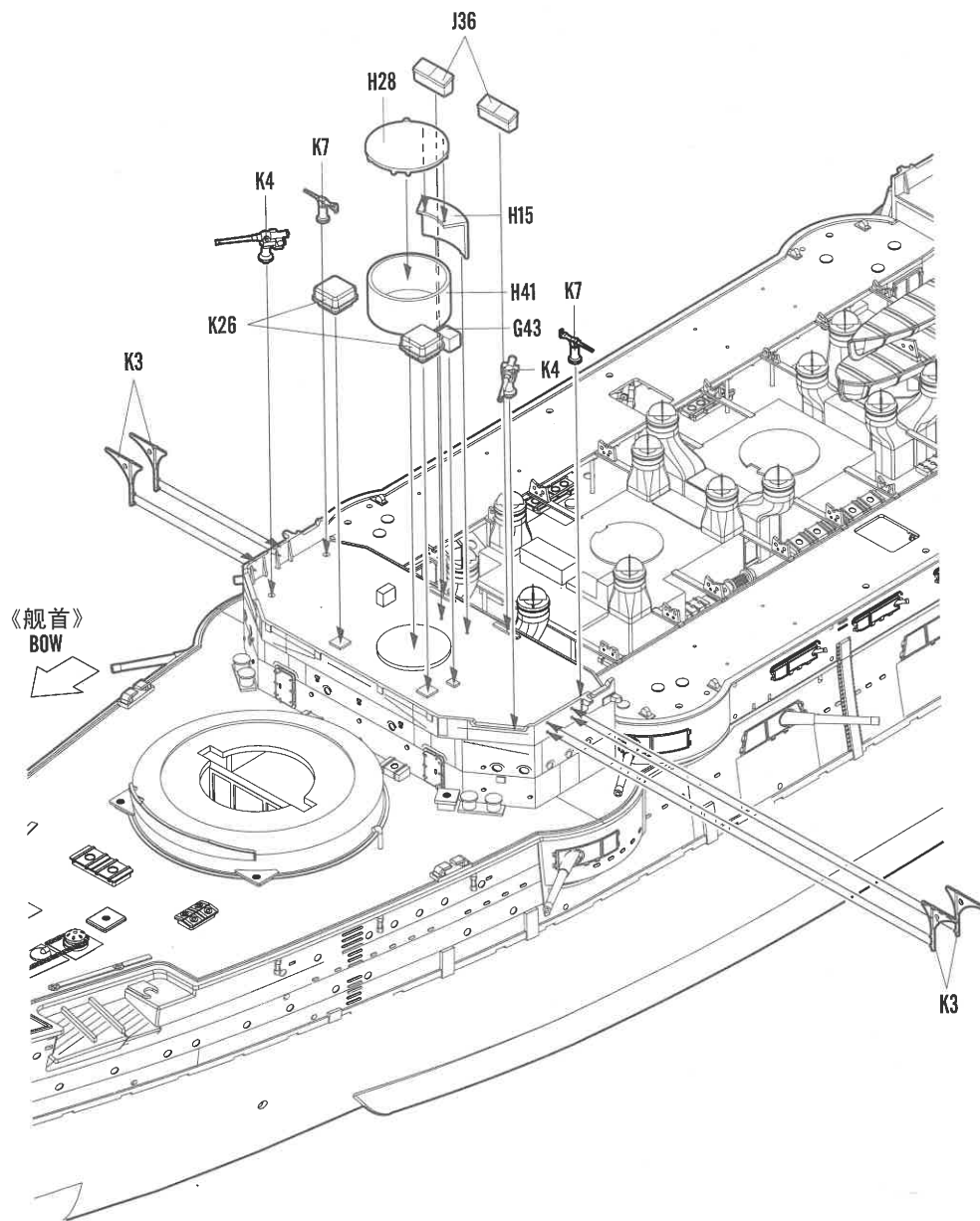
62004

STEP  
29



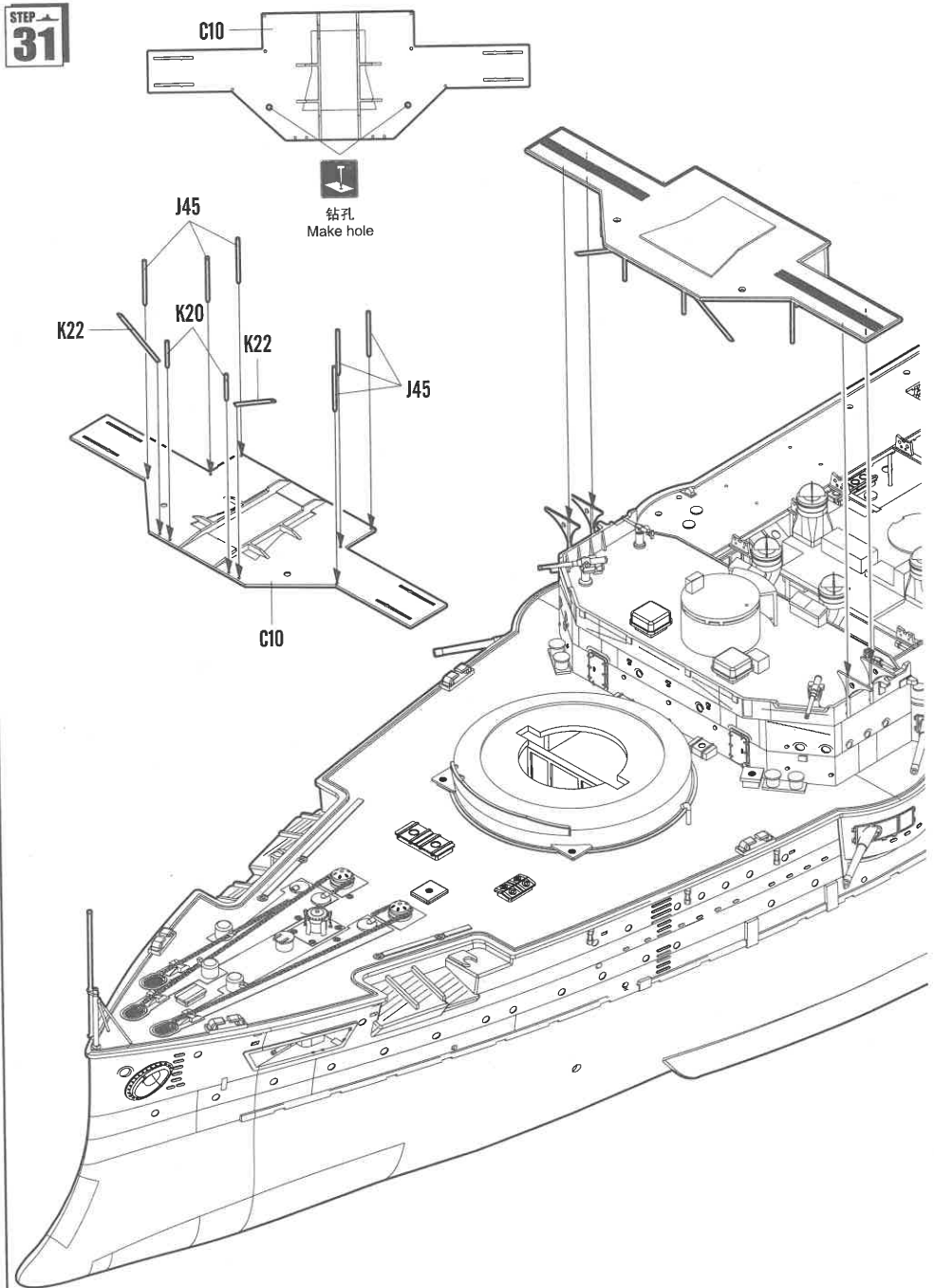
25

STEP 30



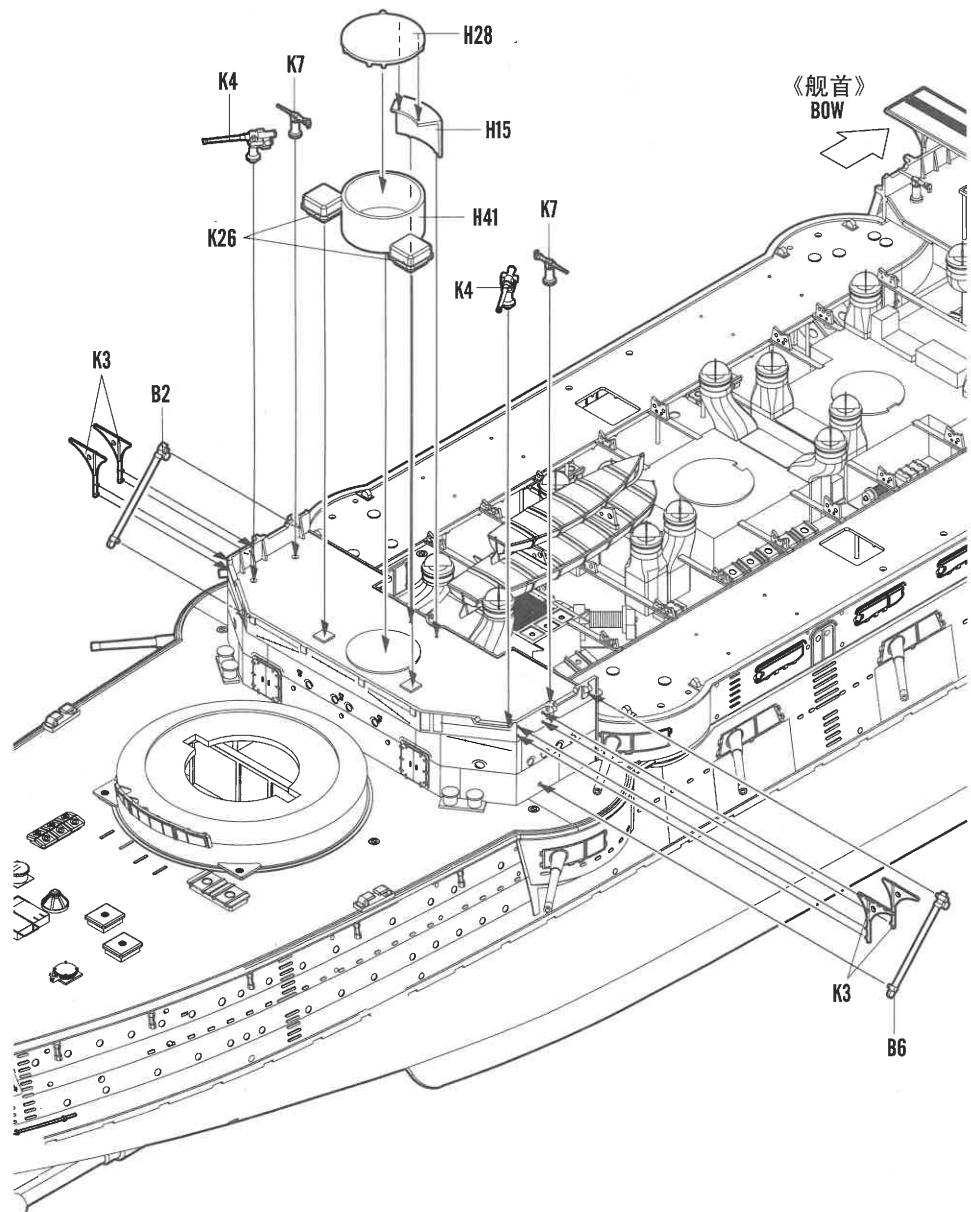
62004

STEP 31

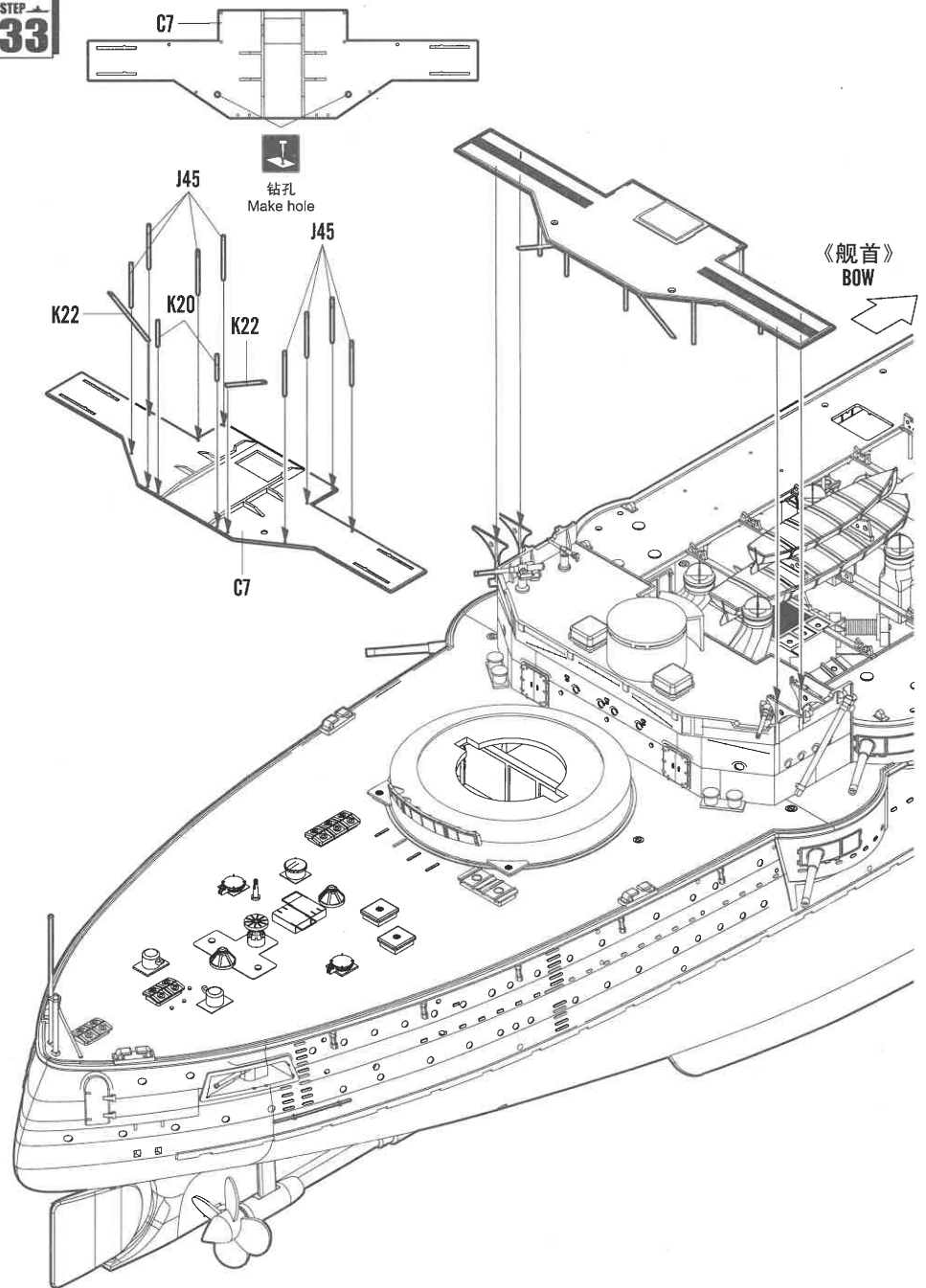


26

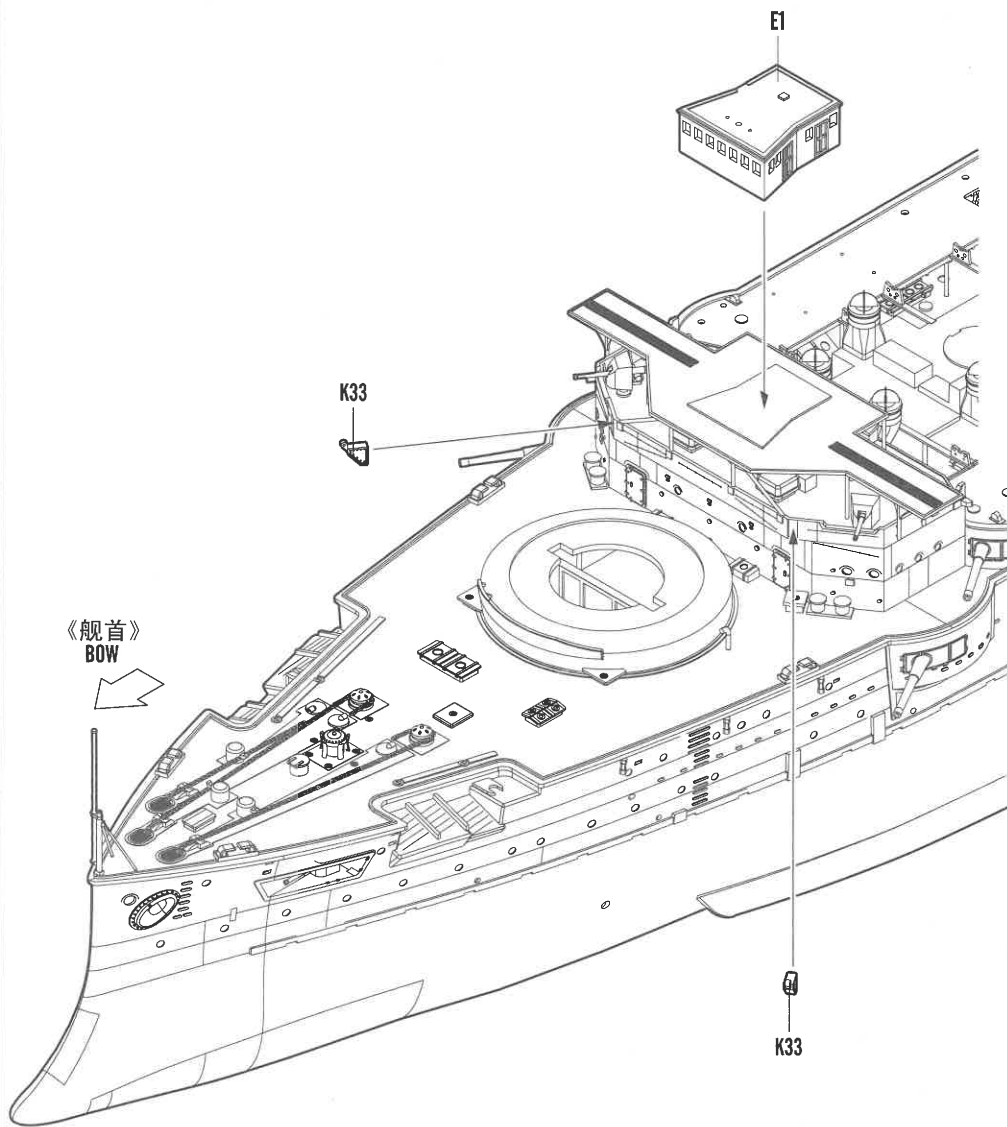
STEP  
32



STEP  
33

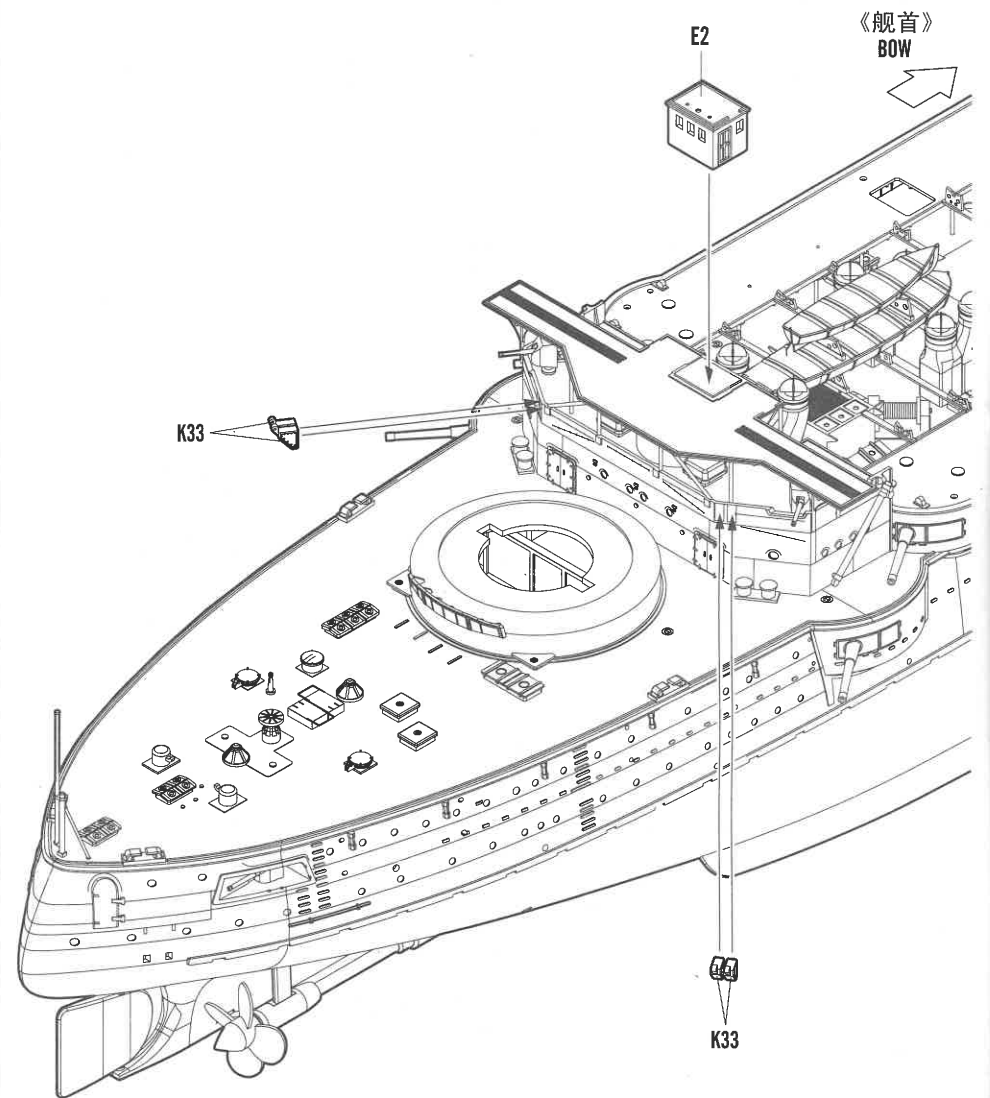


STEP  
34



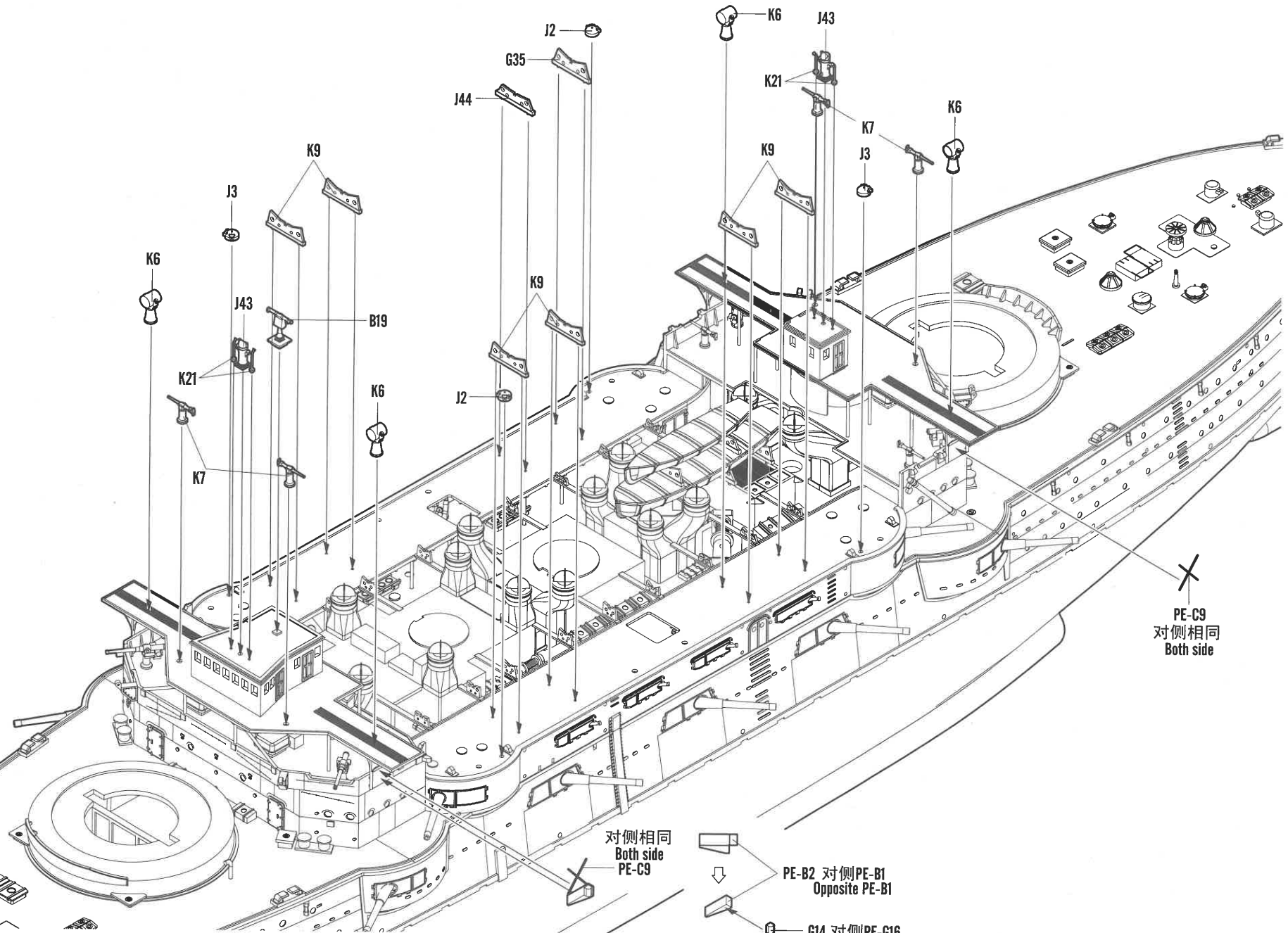
62004

STEP  
35



28

《舰首》  
BOW



PE-C9  
对侧相同  
Both side

对侧相同  
Both side  
PE-C9

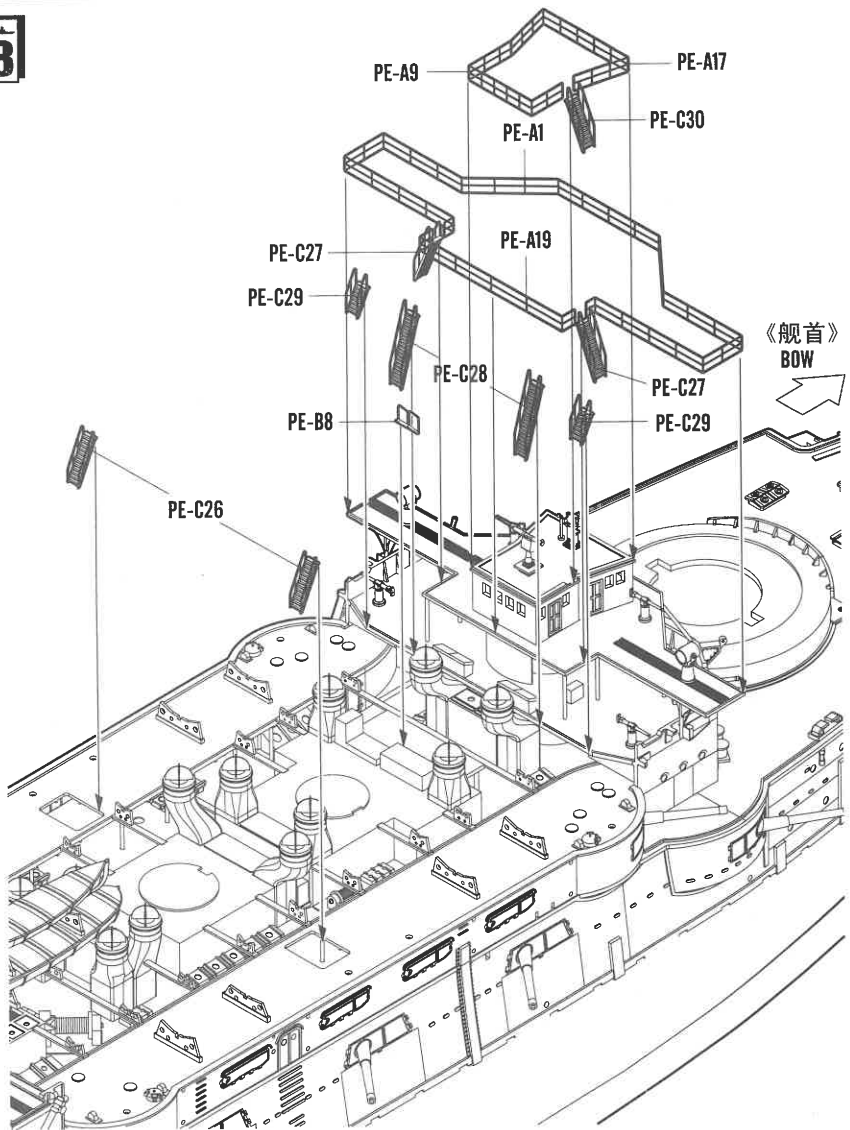
PE-B2 对侧PE-B1  
Opposite PE-B1

G14 对侧PE-G16  
Opposite PE-G15

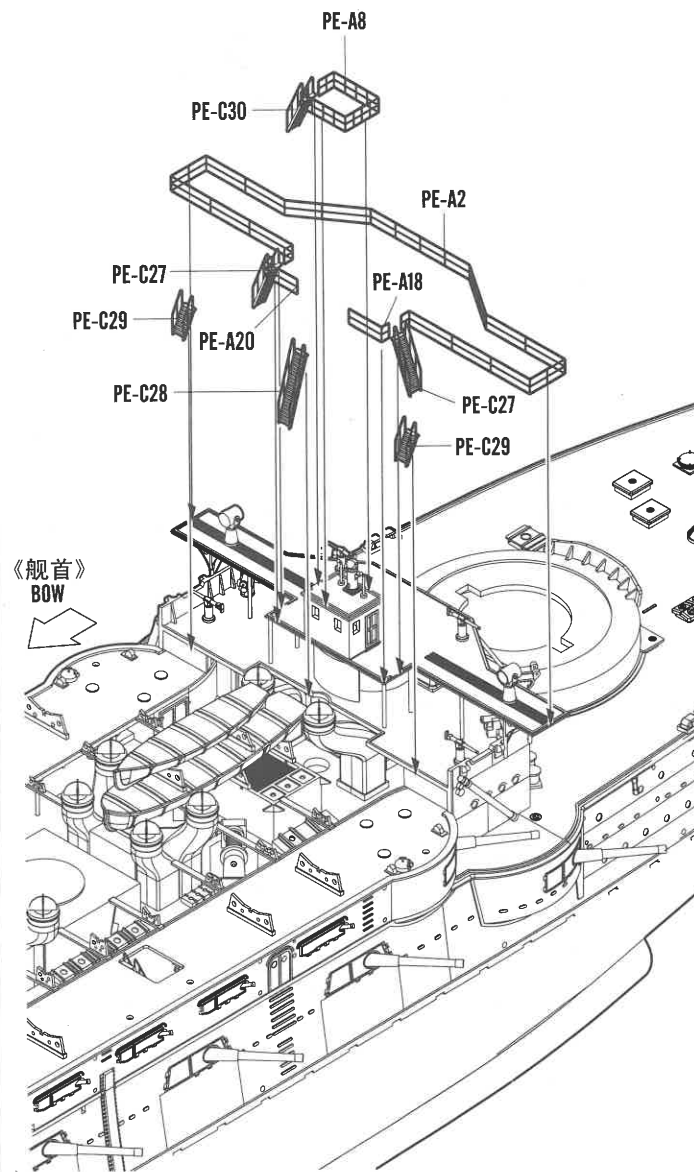
STEP 37



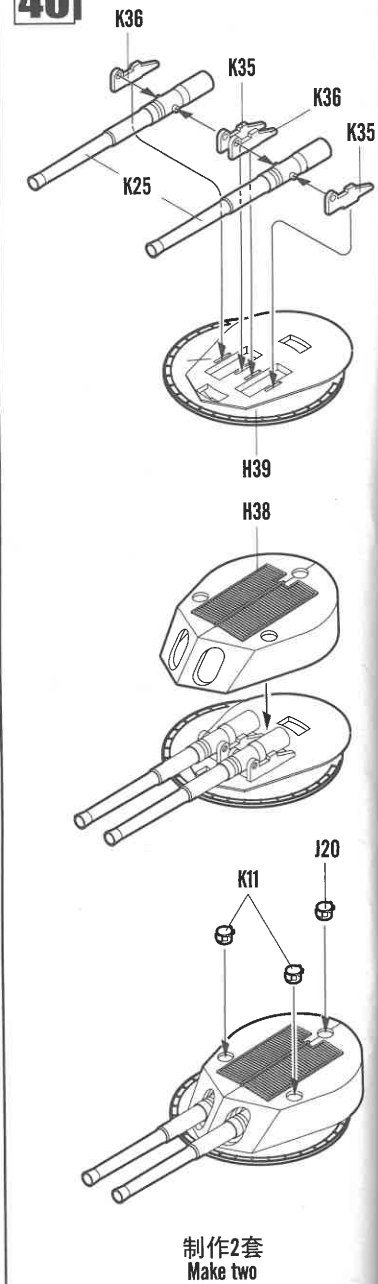
STEP 38



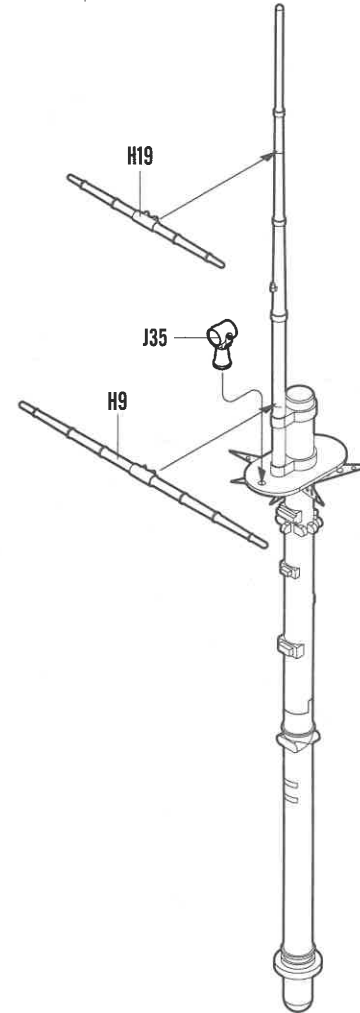
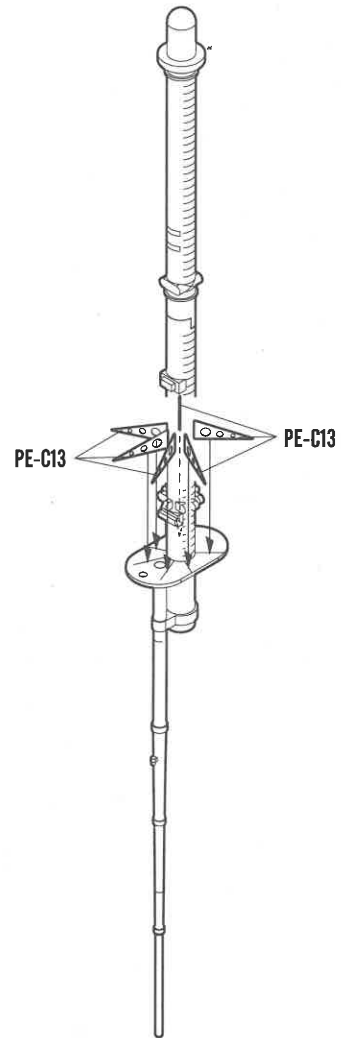
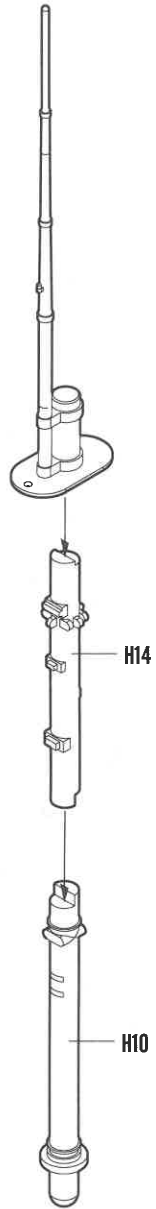
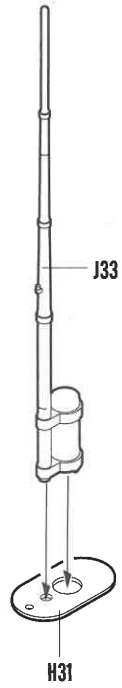
STEP 39

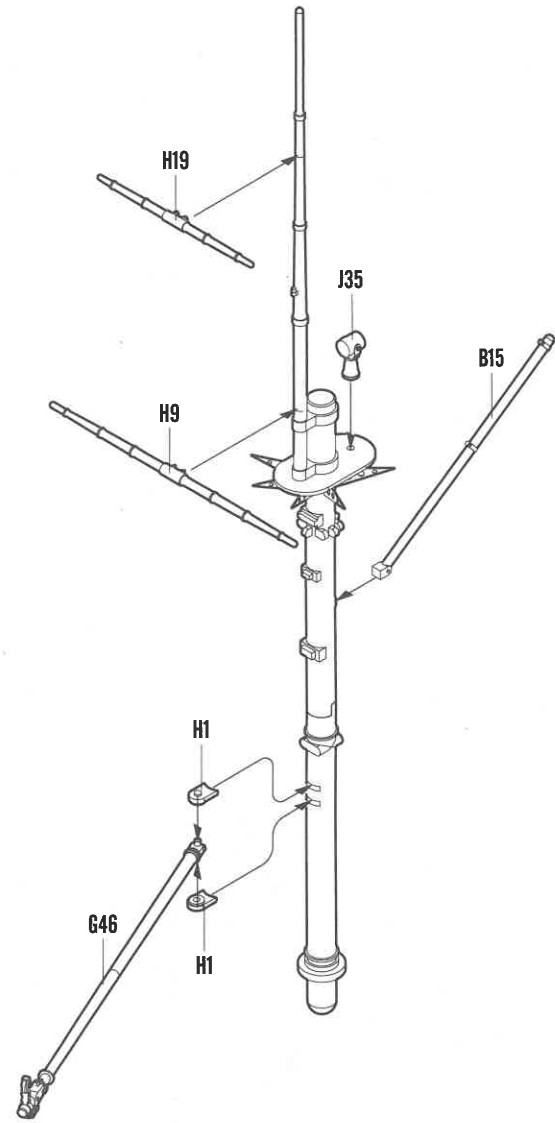
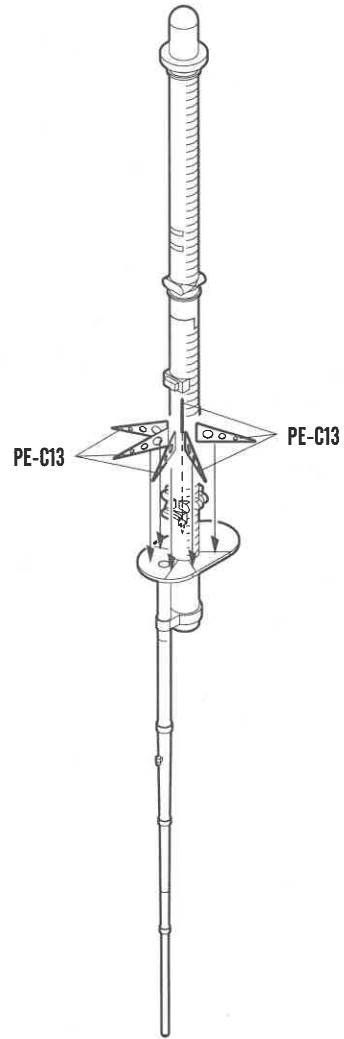
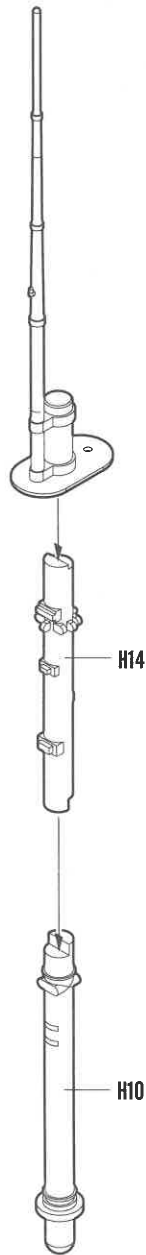
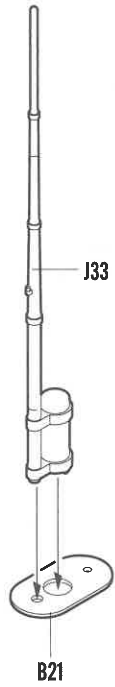


STEP 40



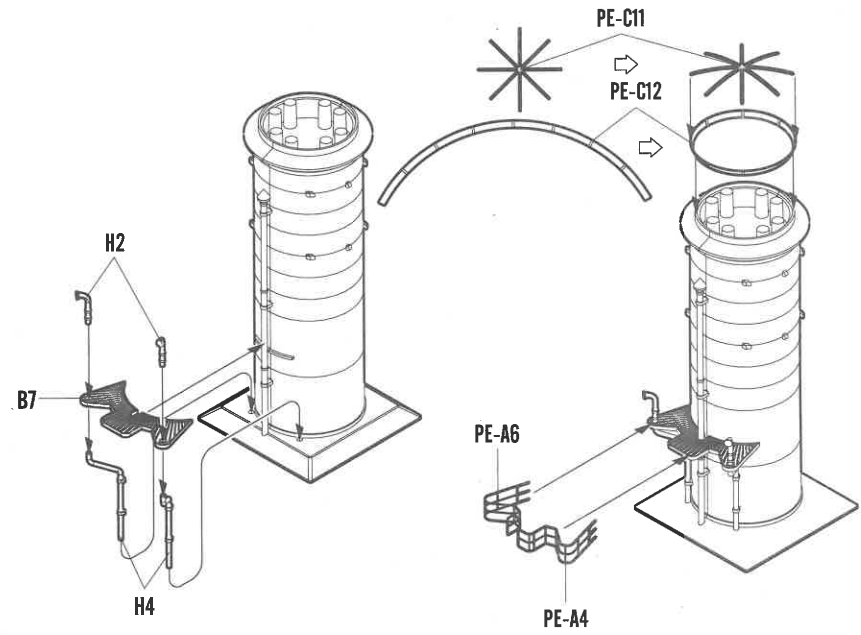
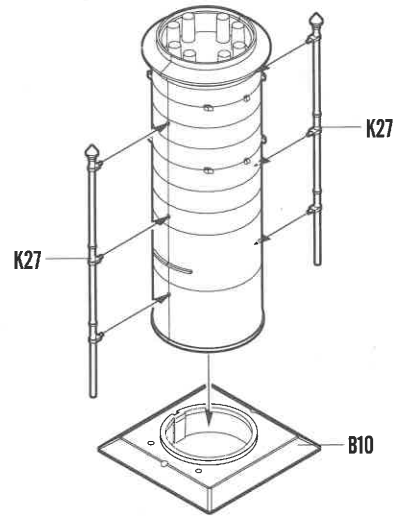
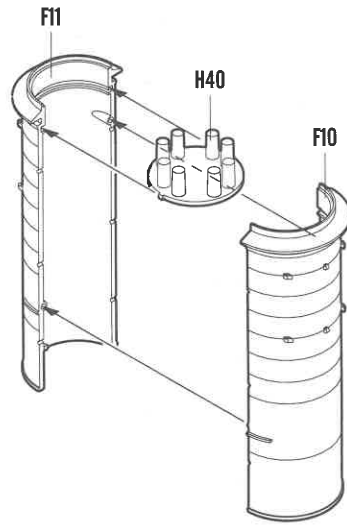
STEP  
41



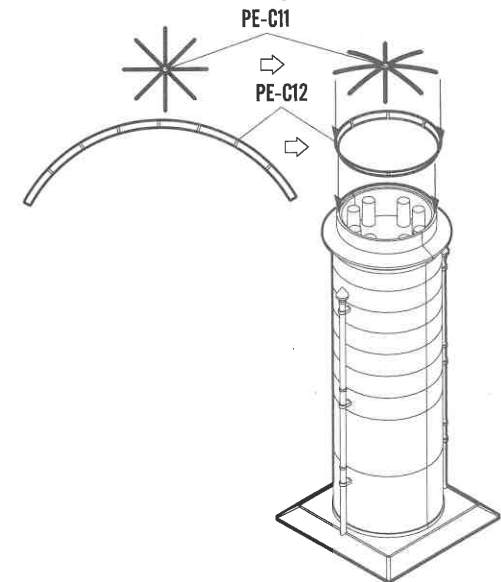
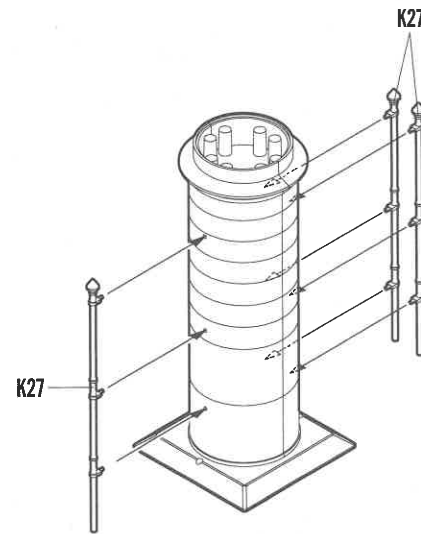
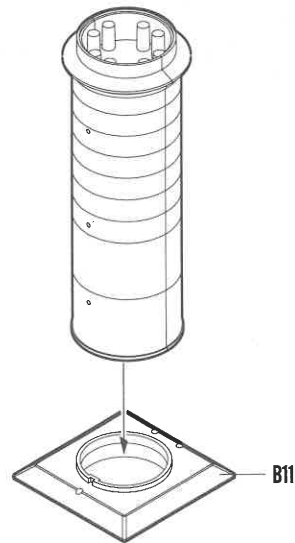
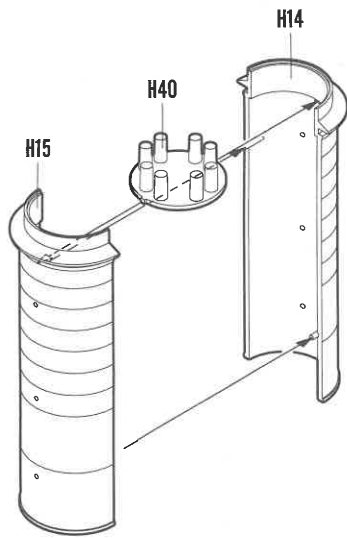


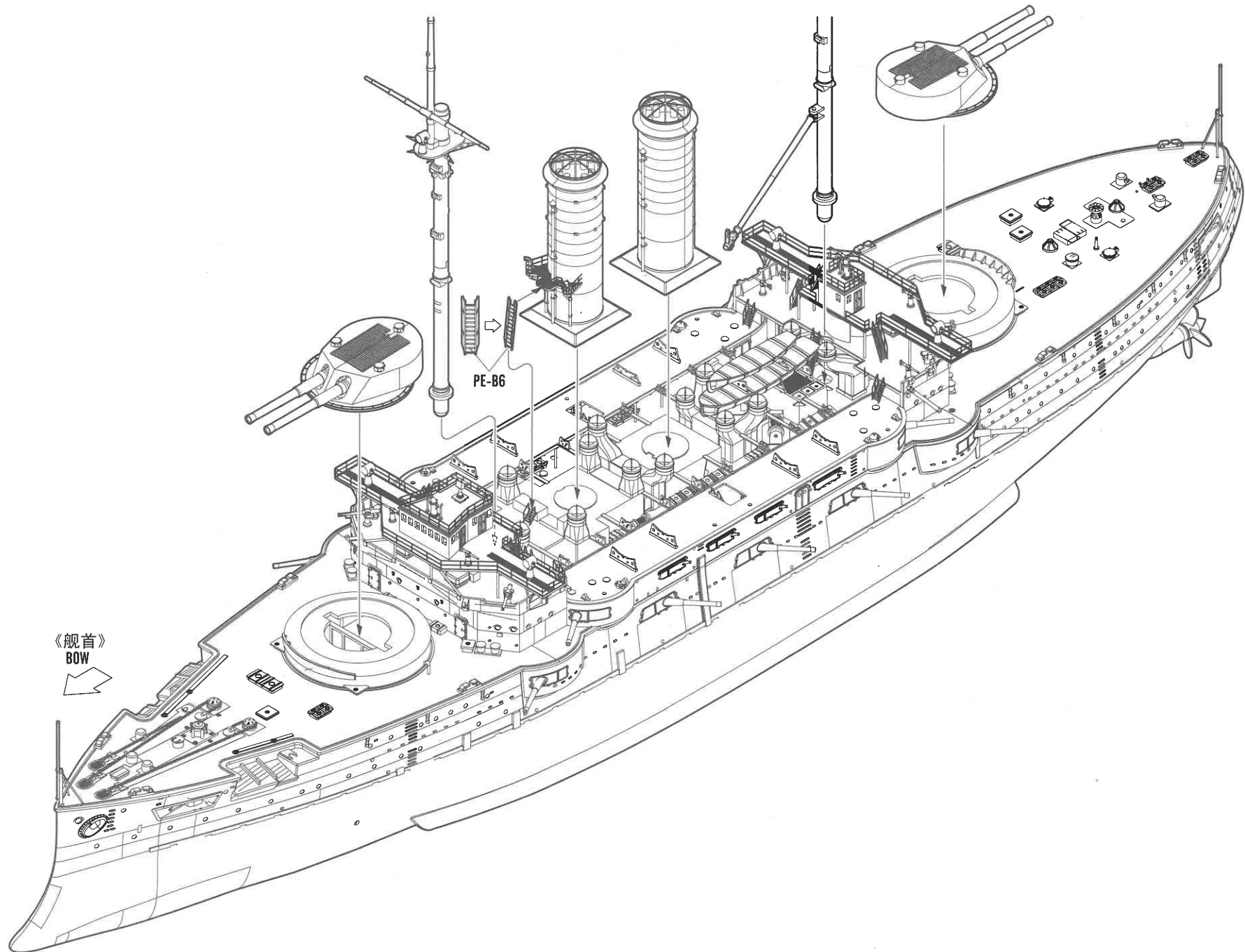


STEP  
43

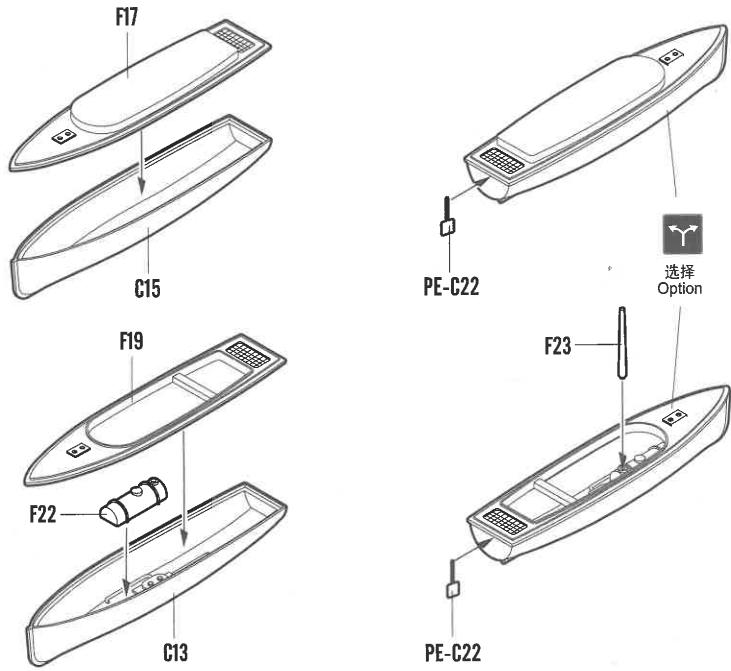


STEP  
44

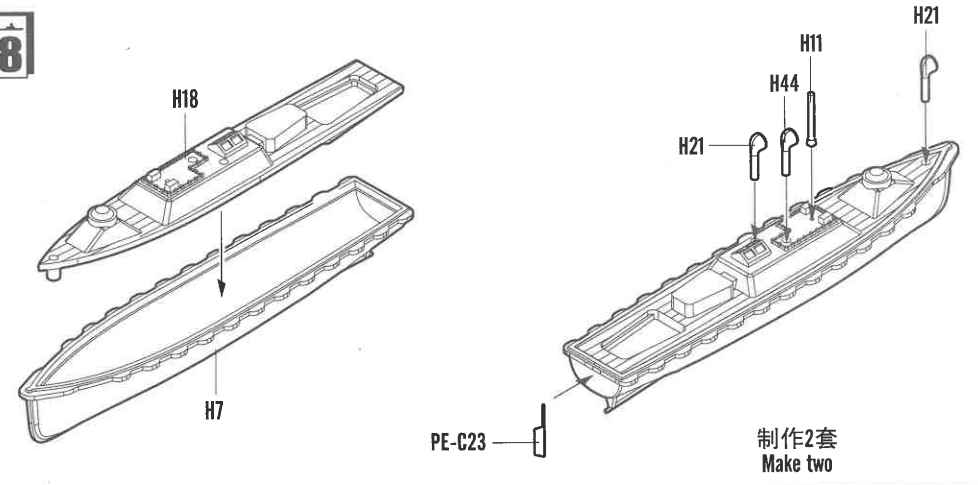




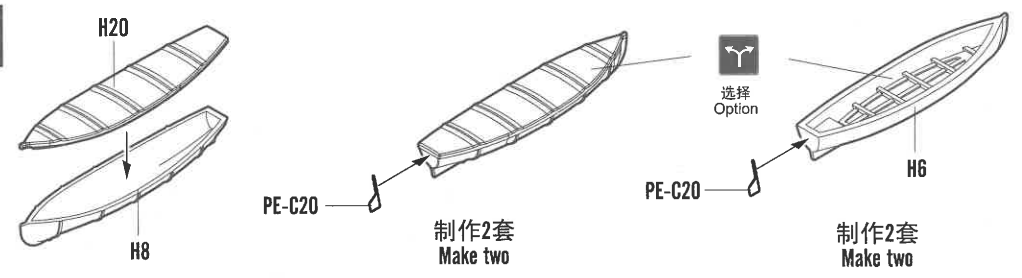
STEP 46



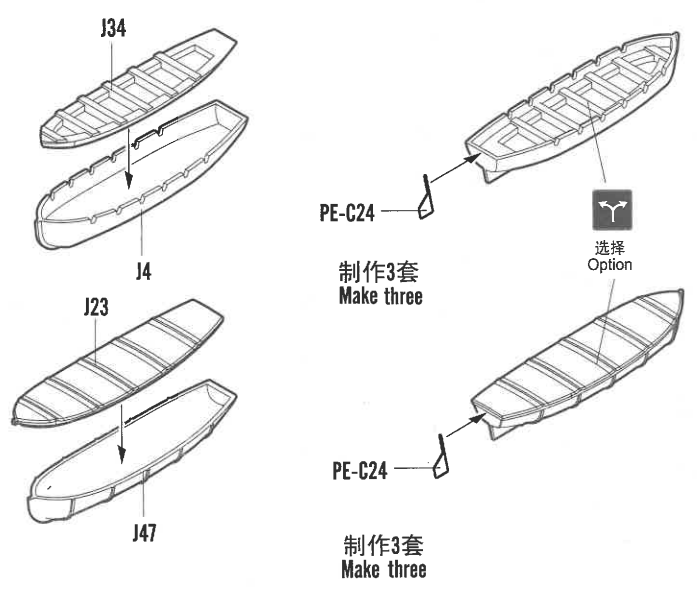
STEP 48



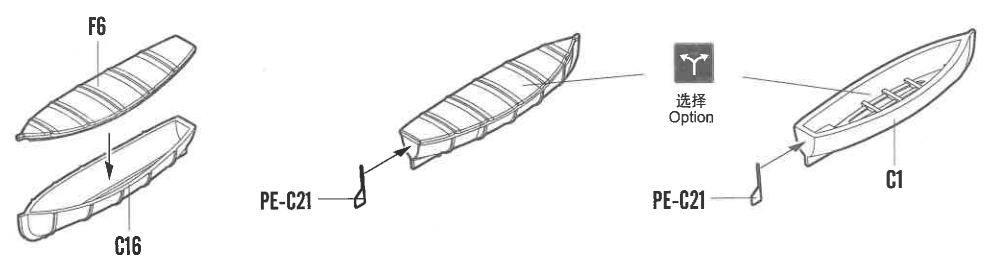
STEP 49



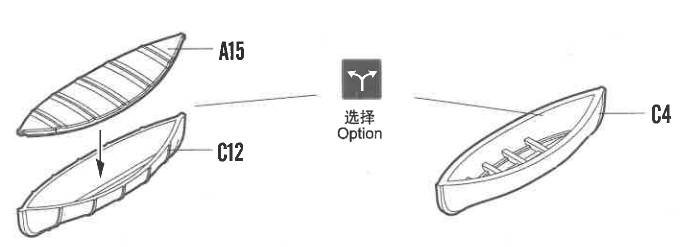
STEP 47



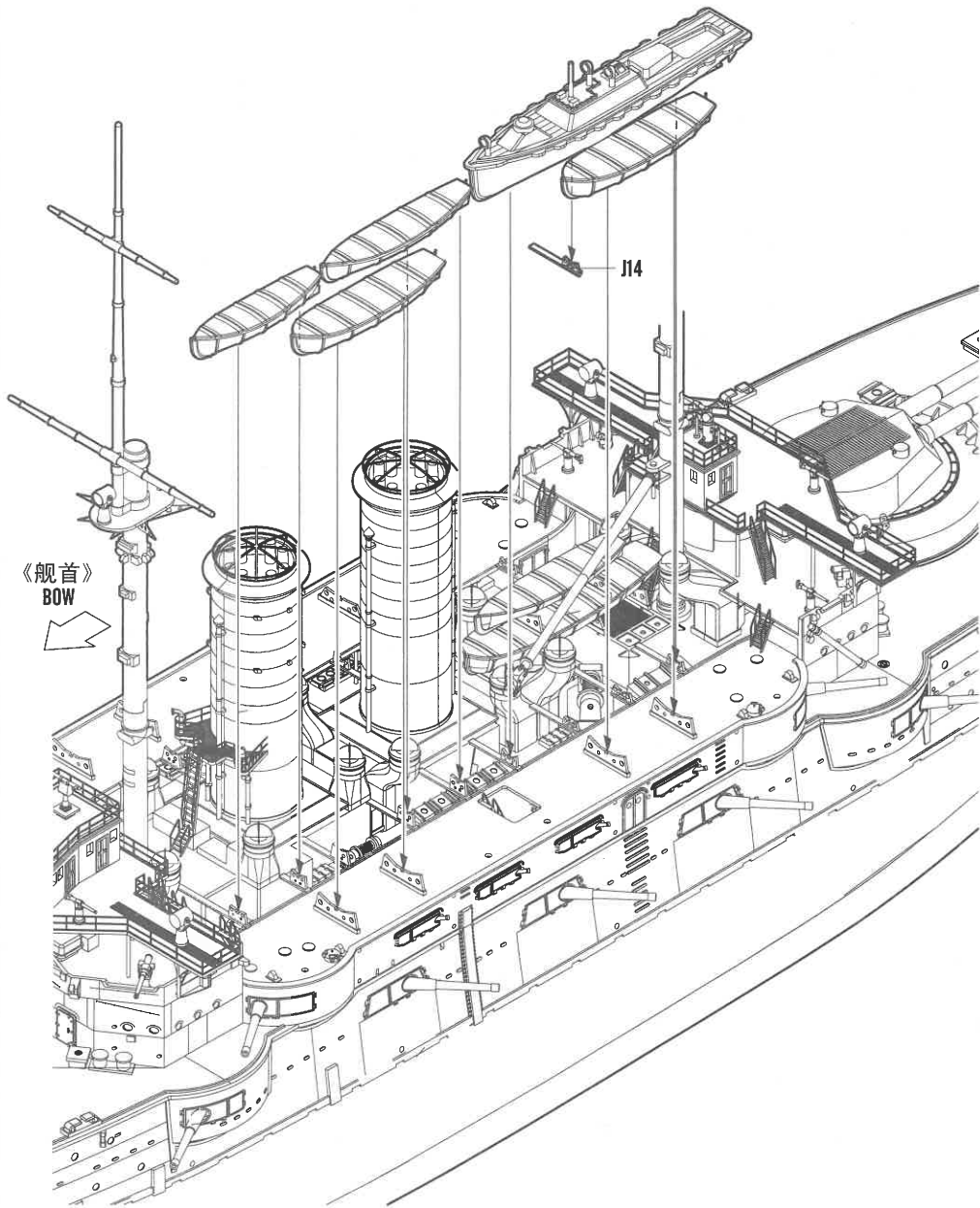
STEP 50



STEP 51

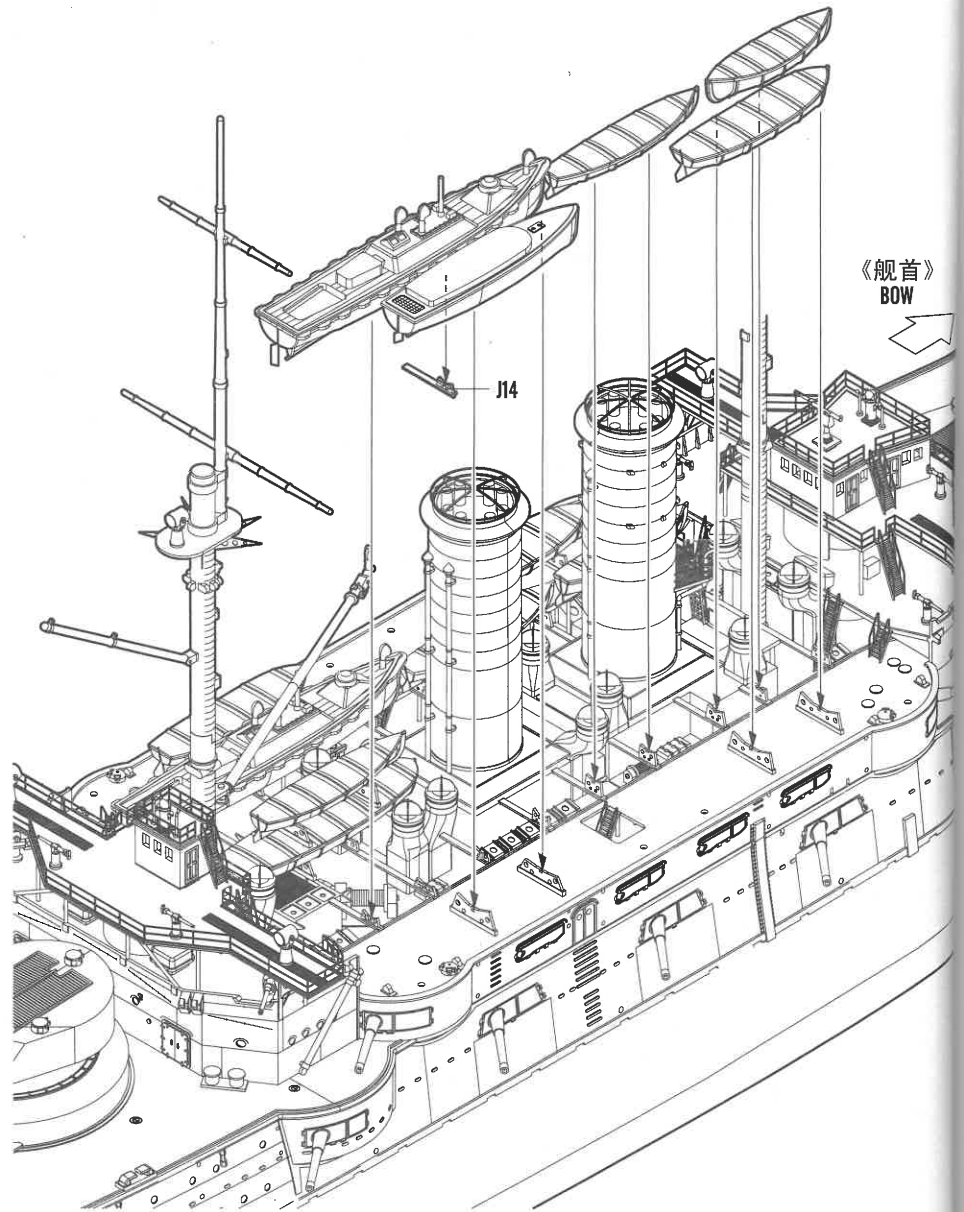


STEP  
52



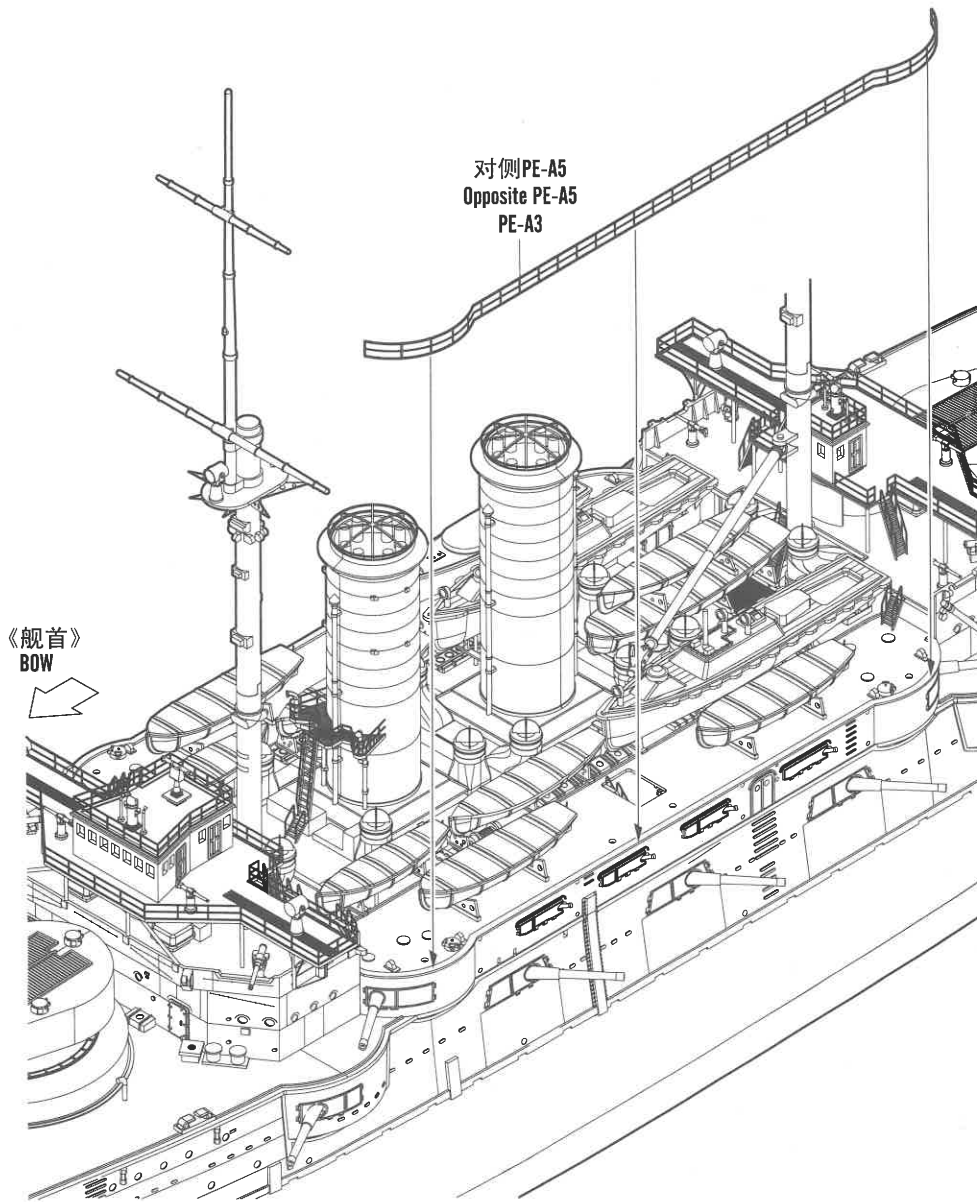
62004

STEP  
53

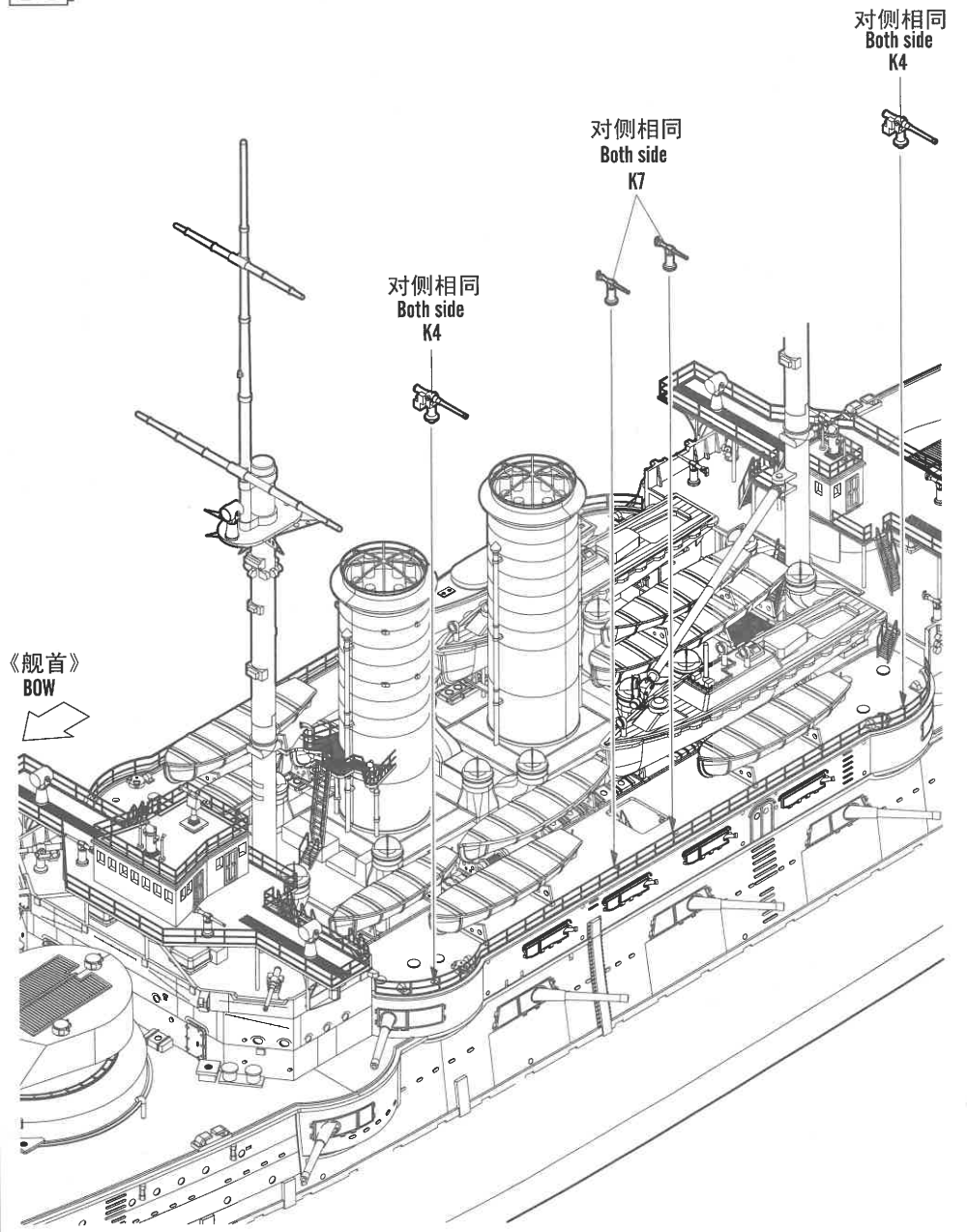


36

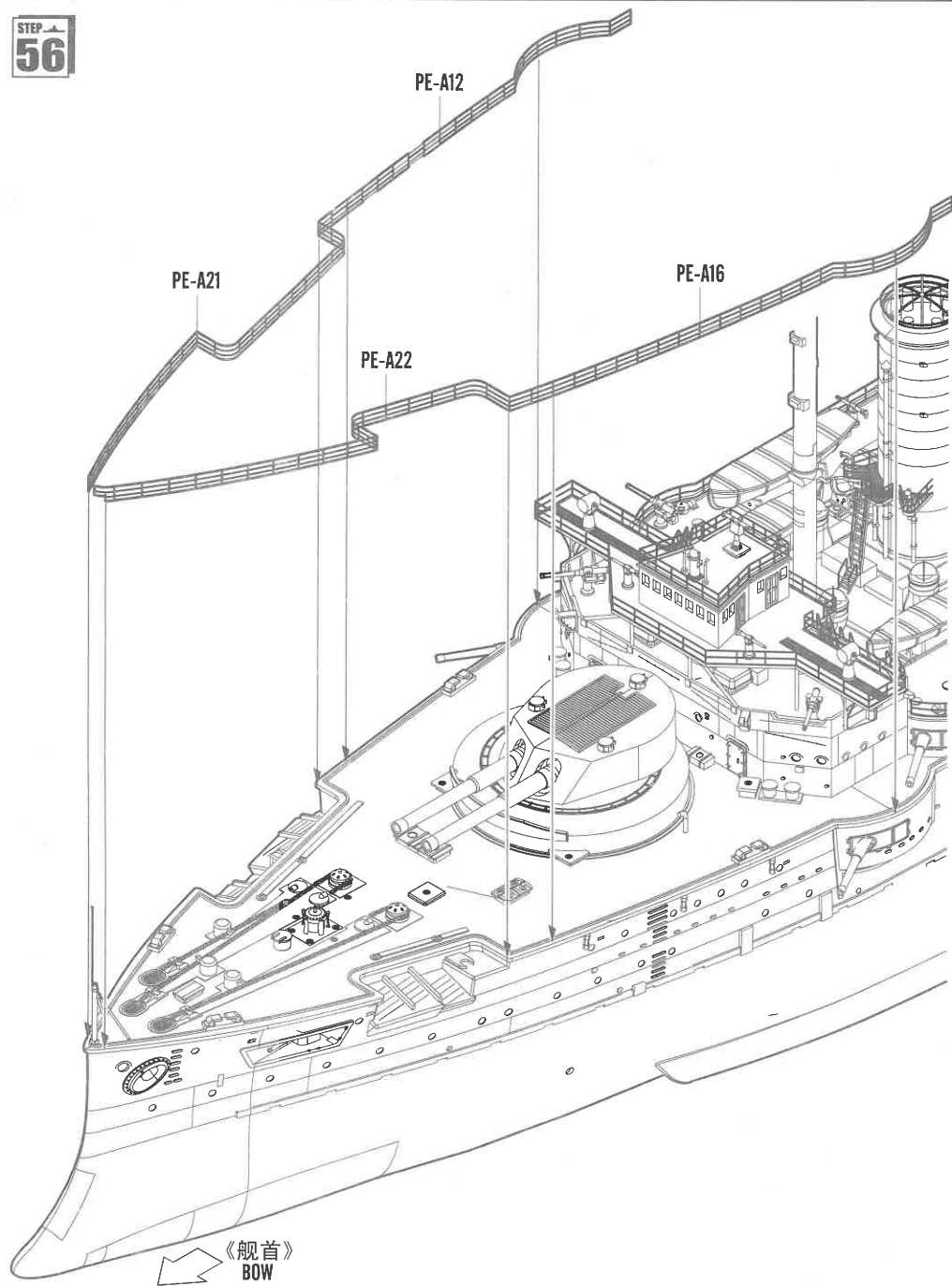
STEP  
54



STEP  
55

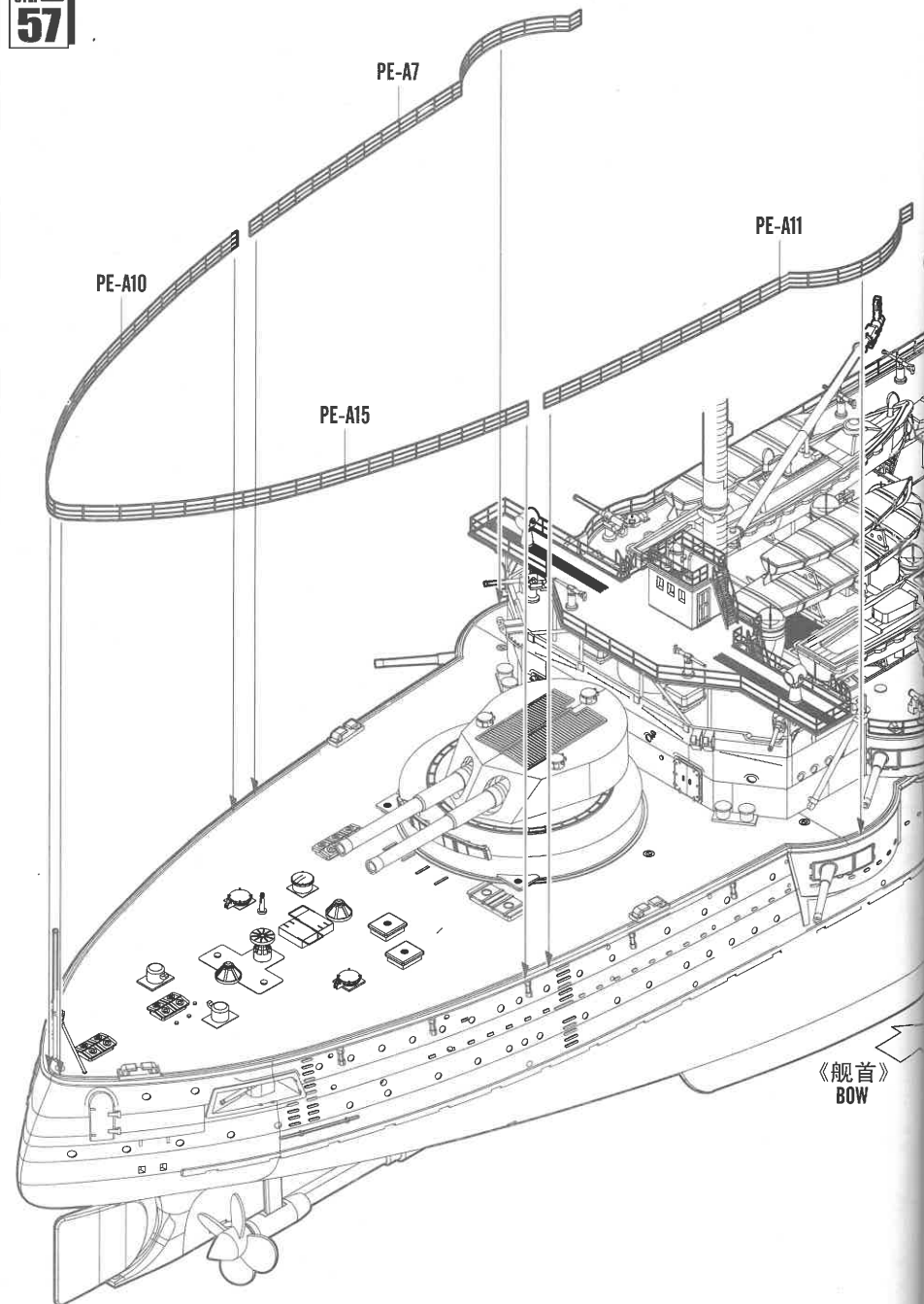


STEP  
56

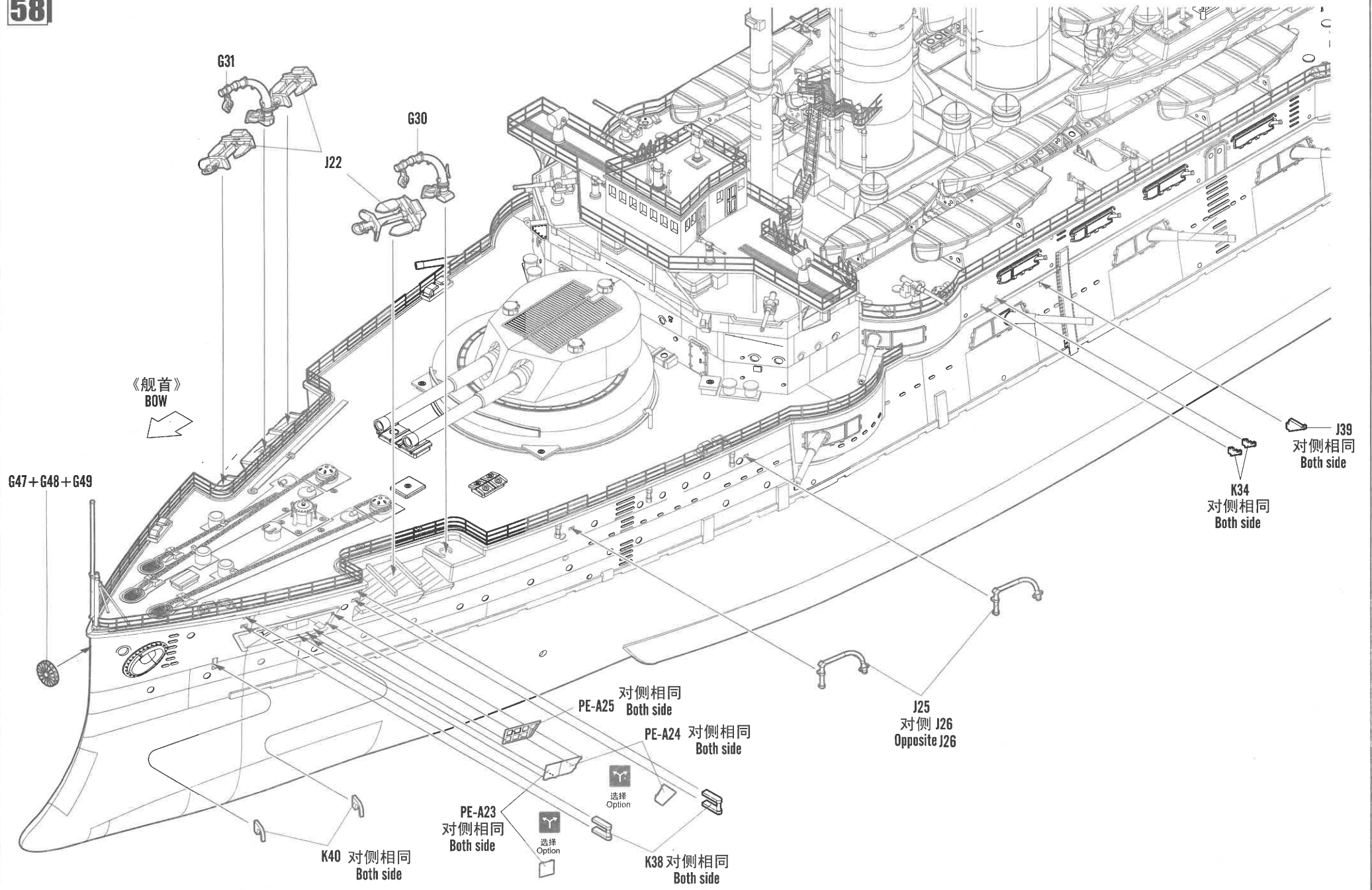


62004

STEP  
57



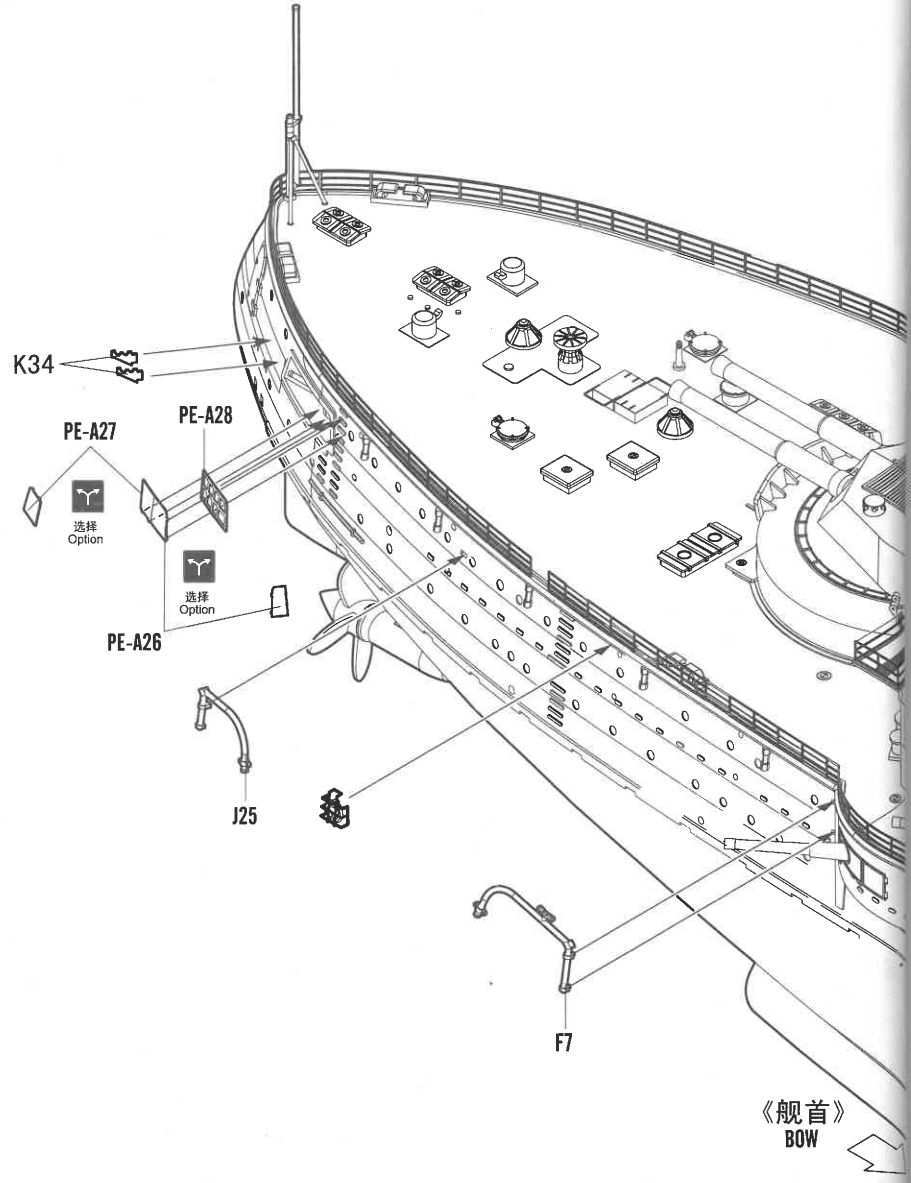
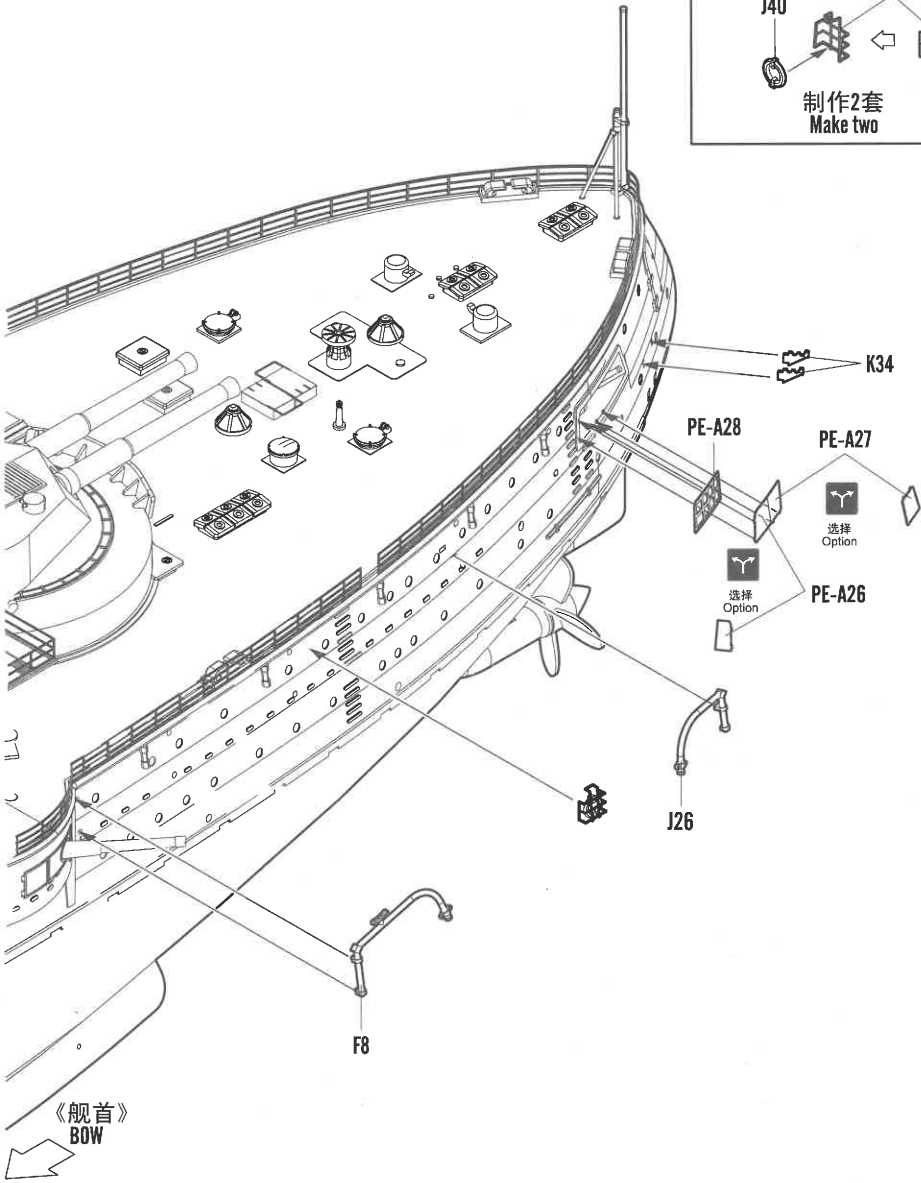
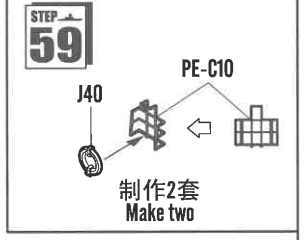
38



STEP 60

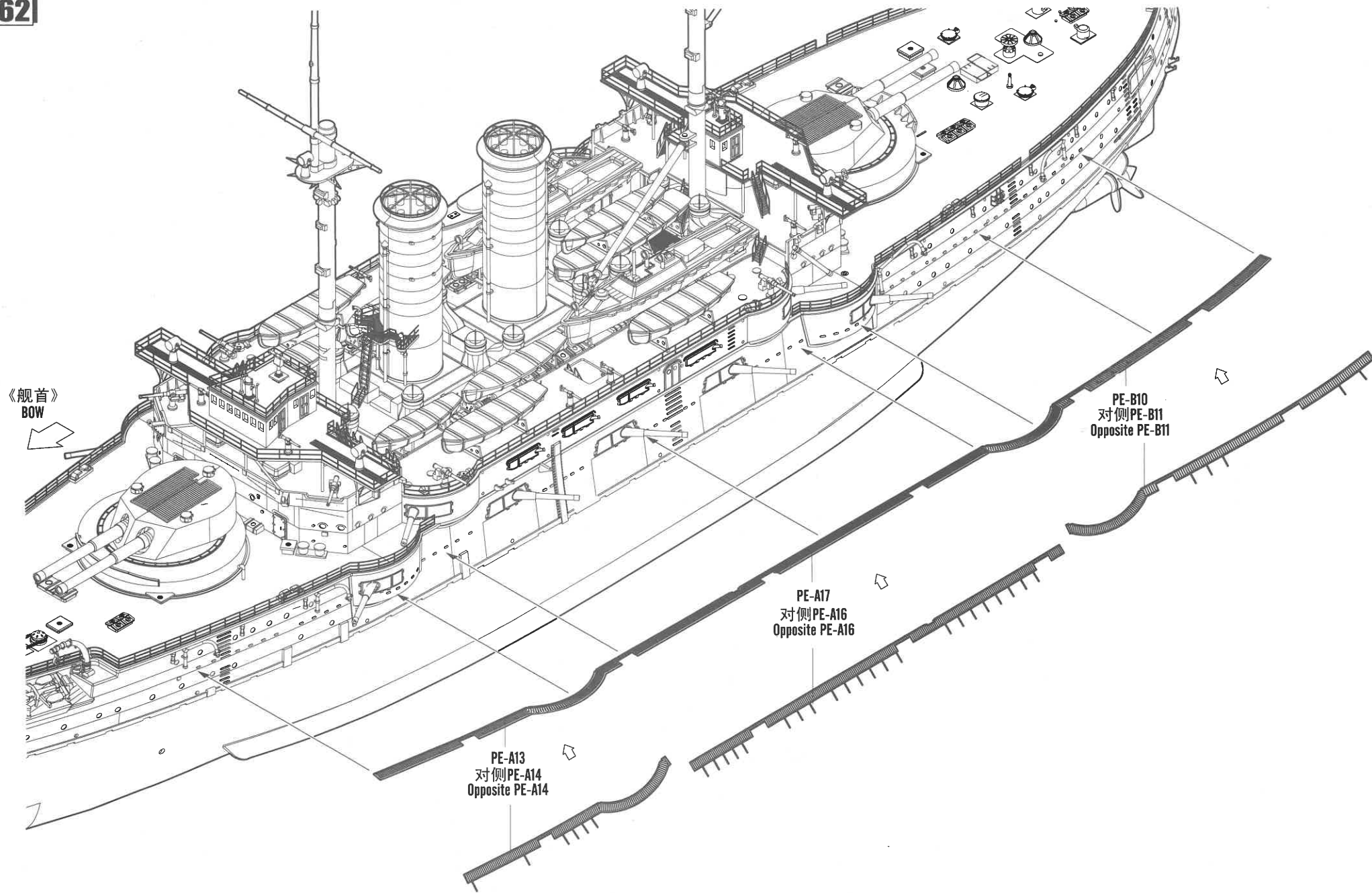
STEP 59

STEP 61





STEP  
62

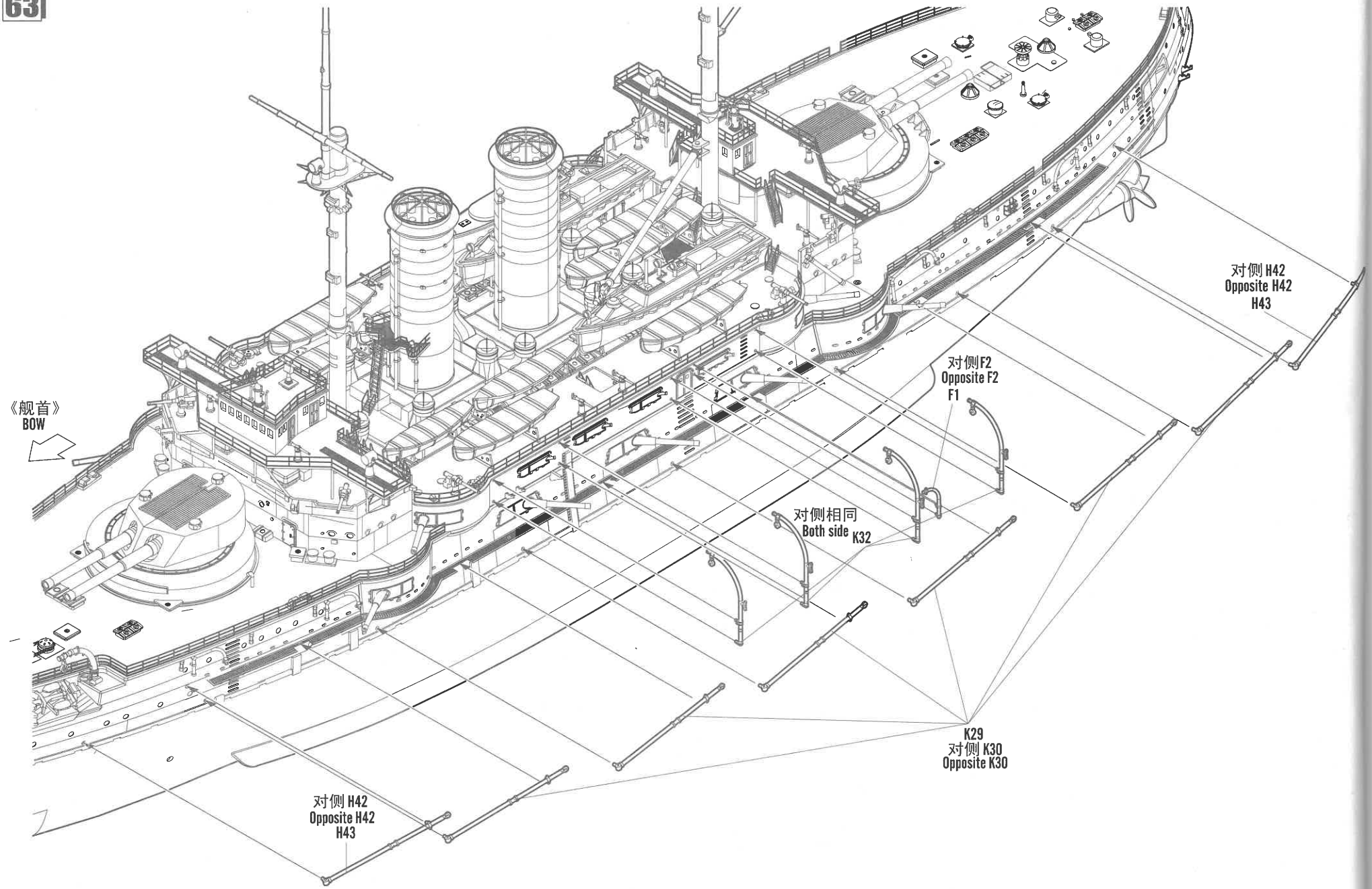


《舰首》  
BOW

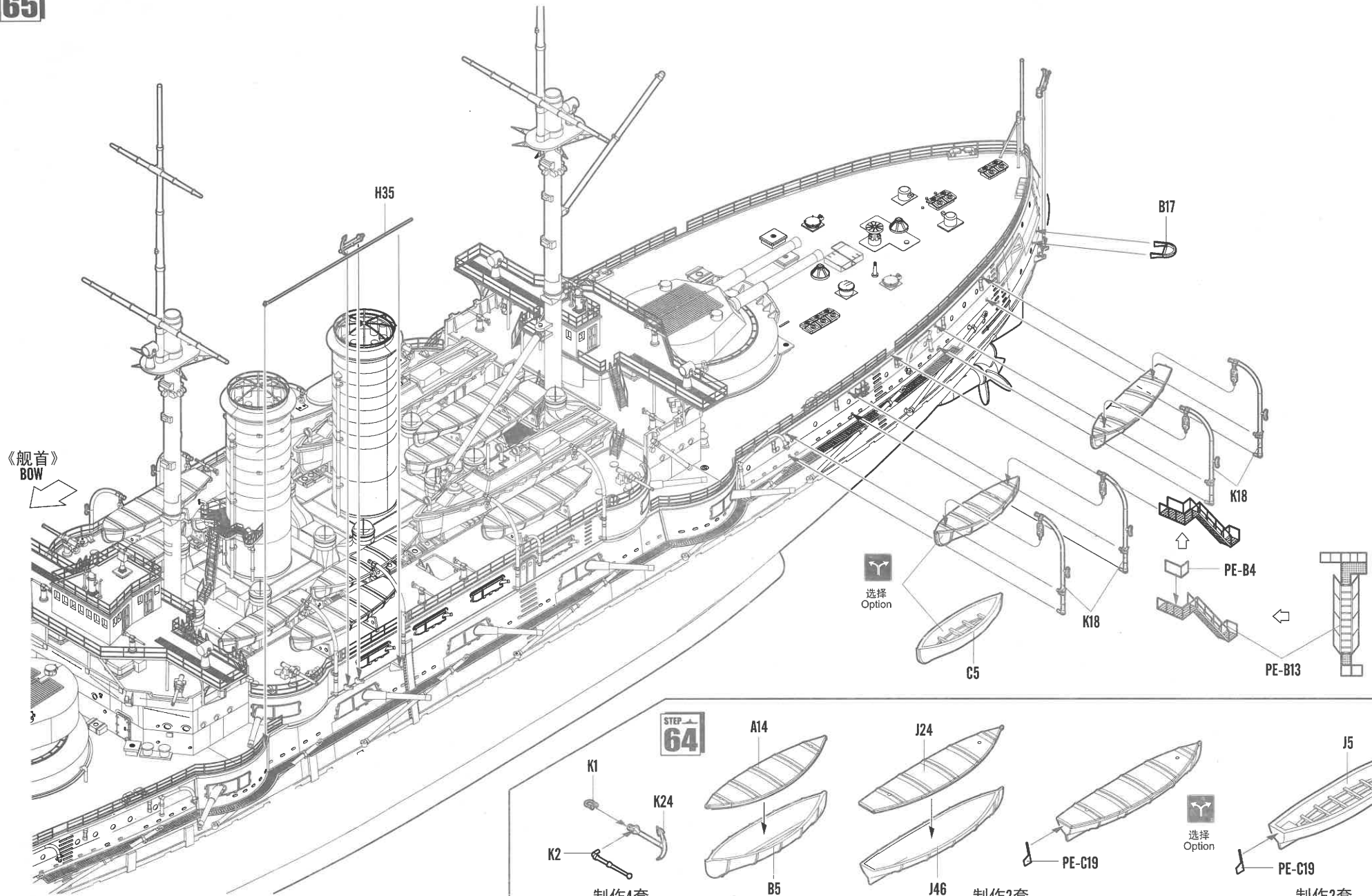
PE-B10  
对侧PE-B11  
Opposite PE-B11

PE-A17  
对侧PE-A16  
Opposite PE-A16

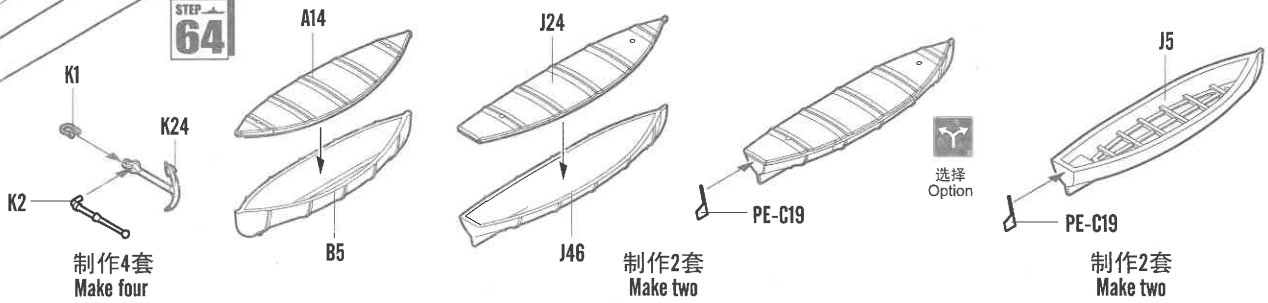
PE-A13  
对侧PE-A14  
Opposite PE-A14



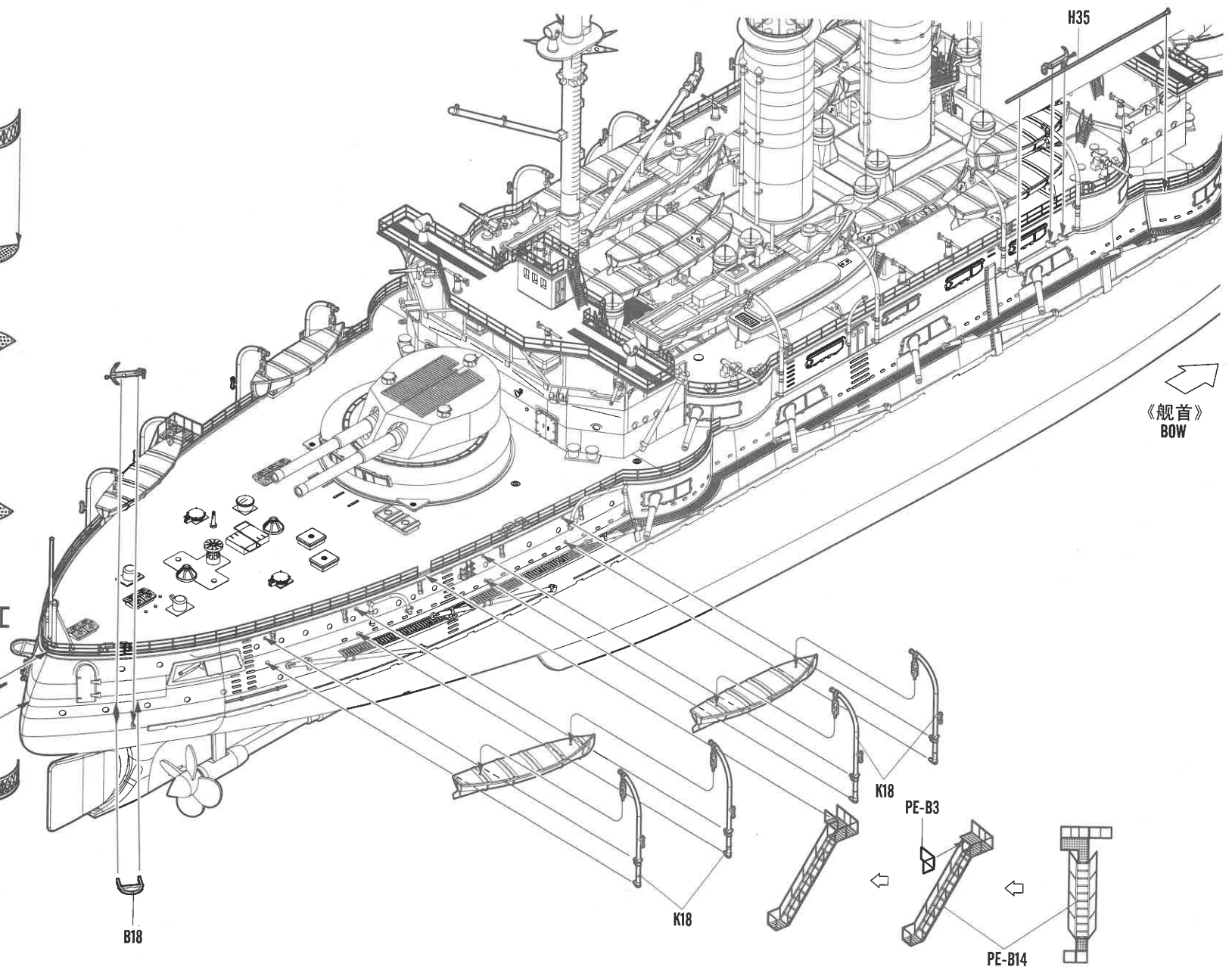
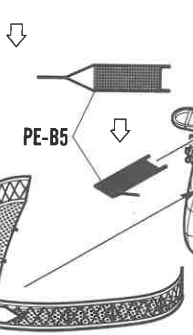
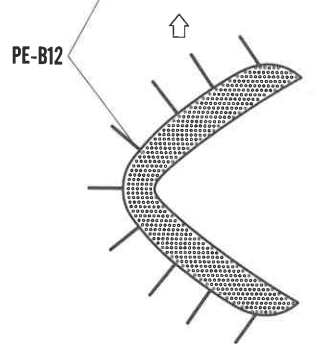
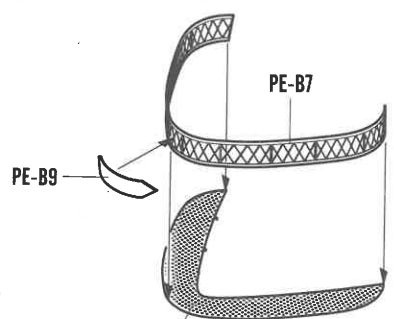
STEP 65



STEP 64



STEP  
66



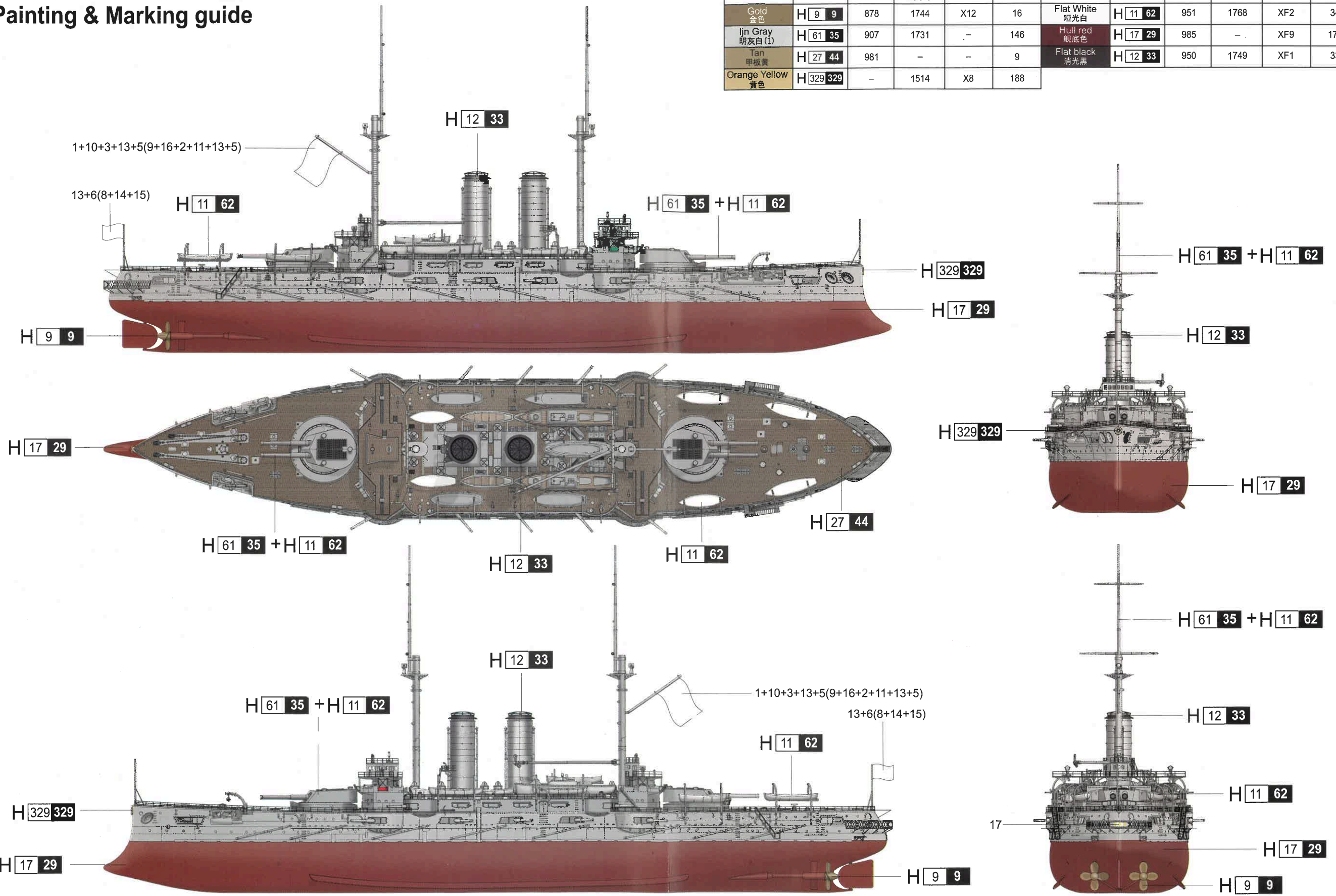
《舰首》  
BOW

# 涂装同标贴指示

## Painting & Marking guide

### PAINT REFERENCE COLOUR

Color	Mr.Hobby	Vallejo	Model Master	Tamiya	Humbrol	Color	Mr.Hobby	Vallejo	Model Master	Tamiya	Humbrol
Gold 金色	H 9 9	878	1744	X12	16	Flat White 哑光白	H 11 62	951	1768	XF2	34
Ijn Gray 明灰白(1)	H 61 35	907	1731	-	146	Hull red 舰底色	H 17 29	985	-	XF9	177
Tan 甲板黄	H 27 44	981	-	-	9	Flat black 消光黑	H 12 33	950	1749	XF1	33
Orange Yellow 黄	H 329 329	-	1514	X8	188						



H☒ AQUEOUS HOBBY COLOR    ☒ Mr.COLOR