

FOREART

Humber Armoured Car Mark IV

1/72
scale



英国“亨伯”MK4 装甲侦察车

ITEM 2007

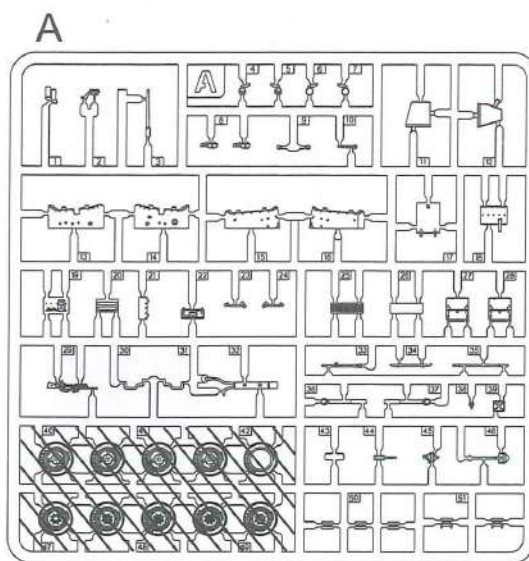
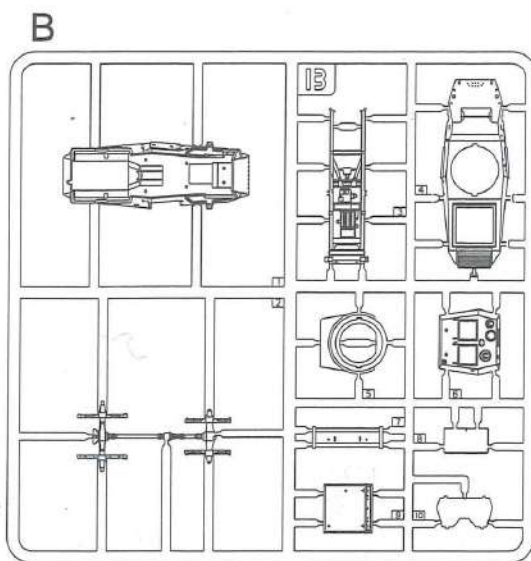


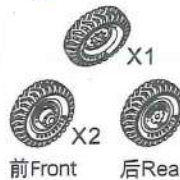
Photo-etch
水贴纸



Decal
蚀刻片



Metal barrel
金属炮管



X1
X2 X2 3D打印轮胎
Wheels(3D Printed)

切除阴影部分 Remove shaded parts	钻孔 Drill	对侧同样制作 Make the same for the other side	将孔填平 Fill holes	选择制作 Options to choose
锉平 File smoothly	制作2组 Make two sets	不用黏合 Do not cement	使用瞬间胶 Use instant glue	注意 Attention
塑料零件编号 Codes for plastic parts	蚀刻片编号 Codes for photo etched parts	过往步骤 Previous steps	被取代的零件编号 Codes for replaced parts	郡土油性漆 Gunze Mr.color

水贴使用说明

1. 将水贴剪下置于温水中浸泡约15秒。
2. 从水中取出水贴，等待图案与底纸自然分离。
3. 将水贴置于恰当的位置，轻轻将水贴印刷面推离底纸至适当位置。
4. 精确调整水贴的位置。
5. 用吸水纸巾或棉签轻轻按压水贴表面，将水份和气泡全部挤出。
6. 待其自然干燥。

Instruction for decal application

1. Cut decals from sheet and soak them into water for 15 seconds.
2. Take decals from water and wait them to separate from base paper naturally.
3. Hold the edge of decals and slide them onto the model.
4. Move decals to proper positions precisely.
5. Press decals down gently with water absorption paper or cotton bud until excess water and air bubbles are gone.
6. Wait decals dry.



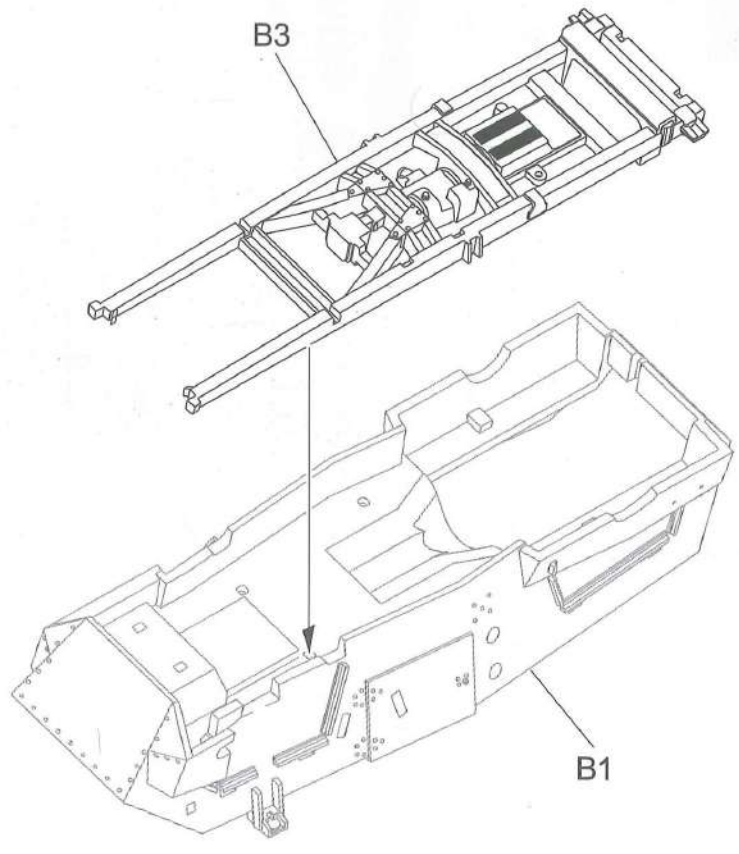
注意
CAUTION

在使用胶水组装模型或进行涂装上色的过程中，请保持通风环境。

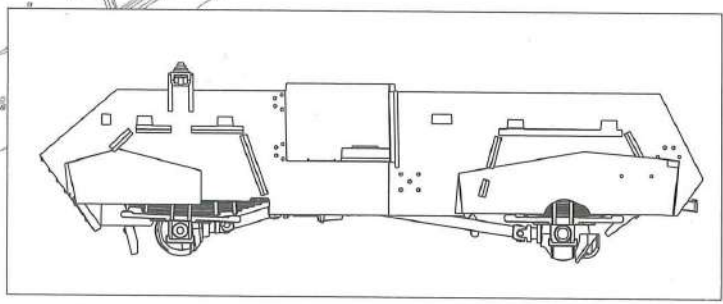
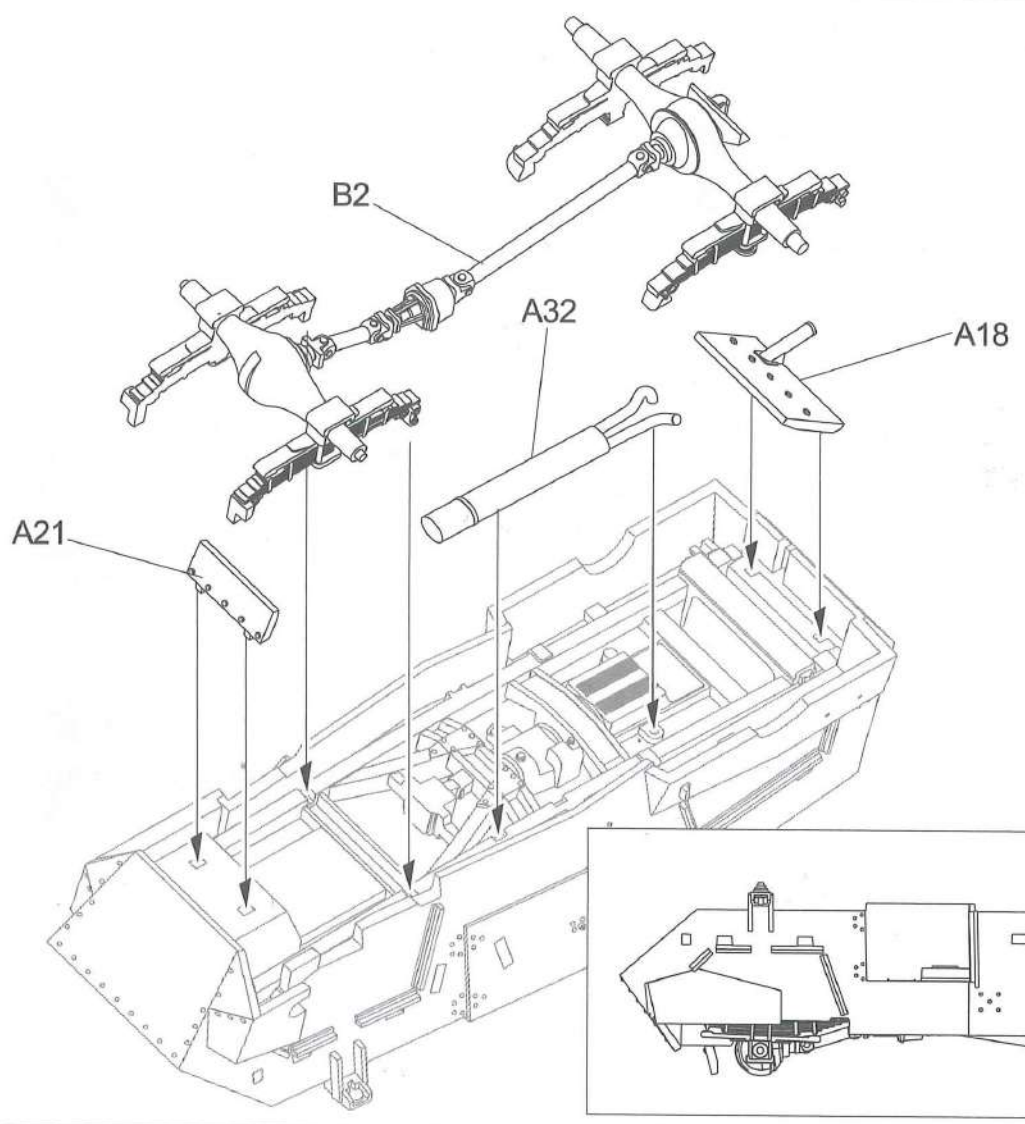
Keep ventilated when glue or paint was used

南京市极致模型玩具有限公司
中国江苏省南京市江北新区七瑶路7号
Nanjing JiZhi Models & Toys Co., Ltd.
No. 7 Qi Yao Road, Jiangbei New Area, Nanjing China
Tel: +86-25-86518995
E-mail: forehobby@sina.com
www.forehobby.com

1

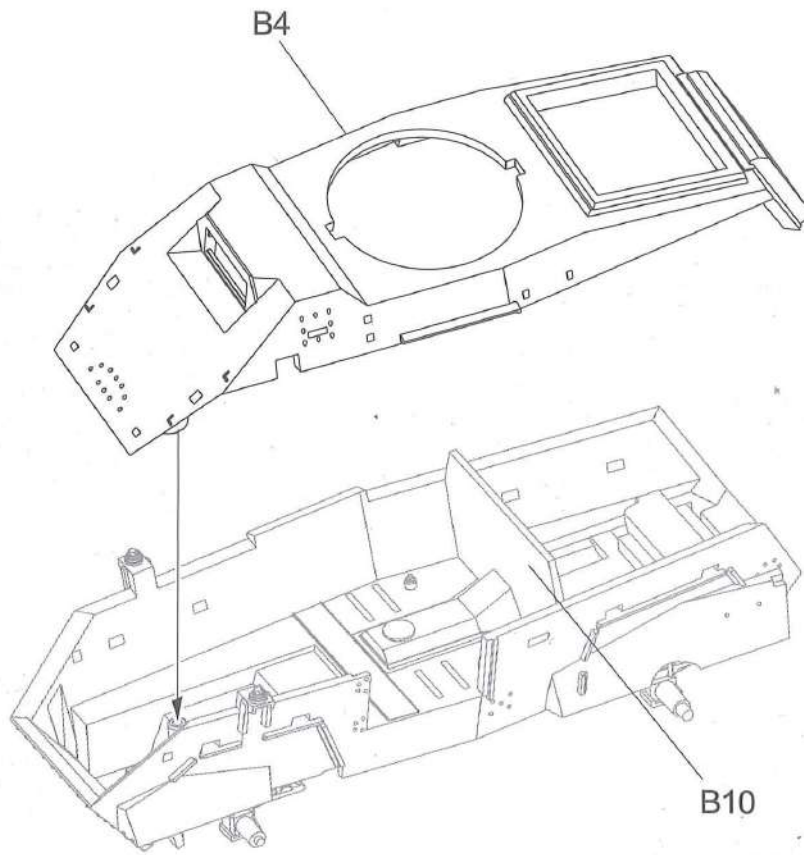


2

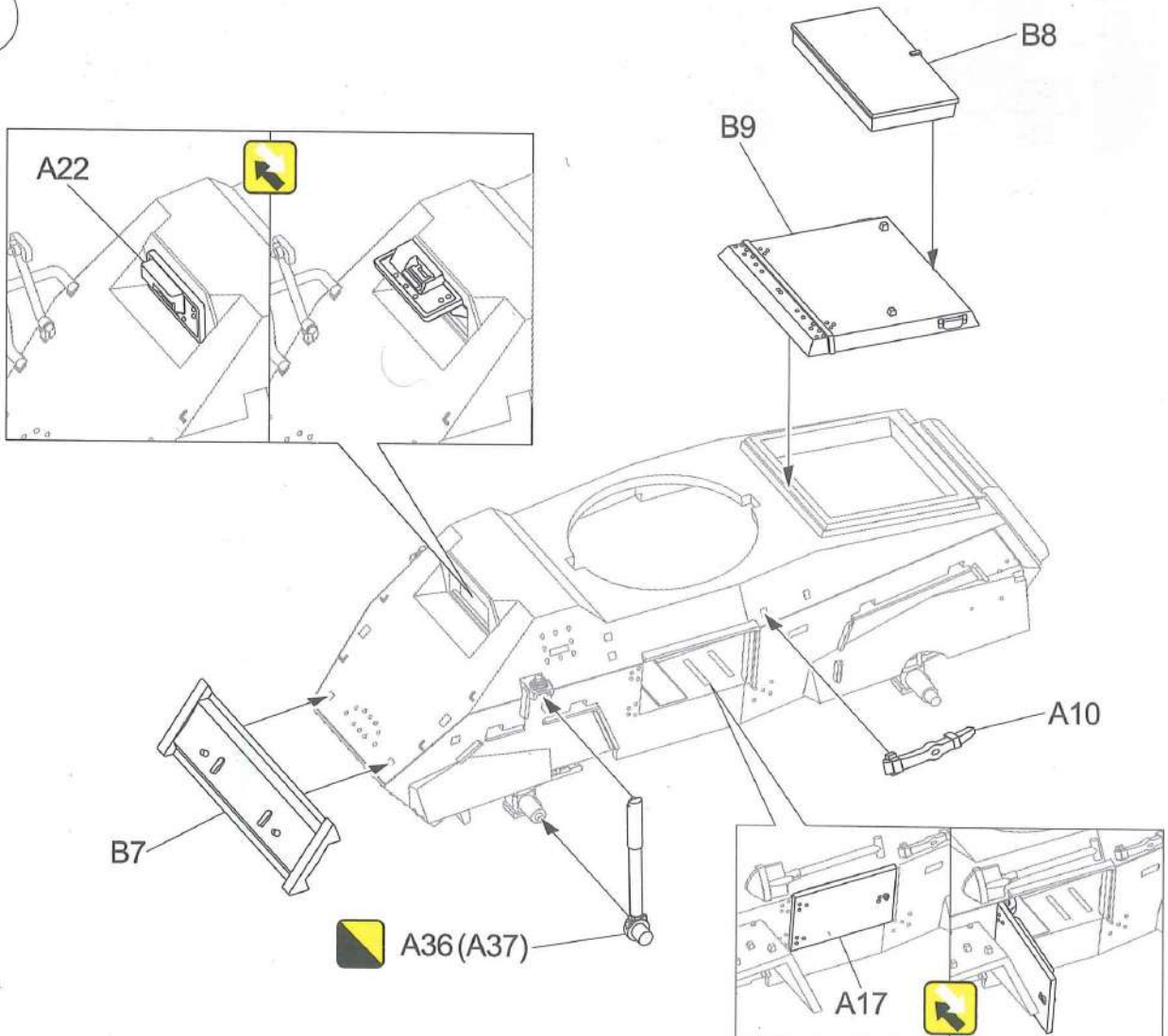


2

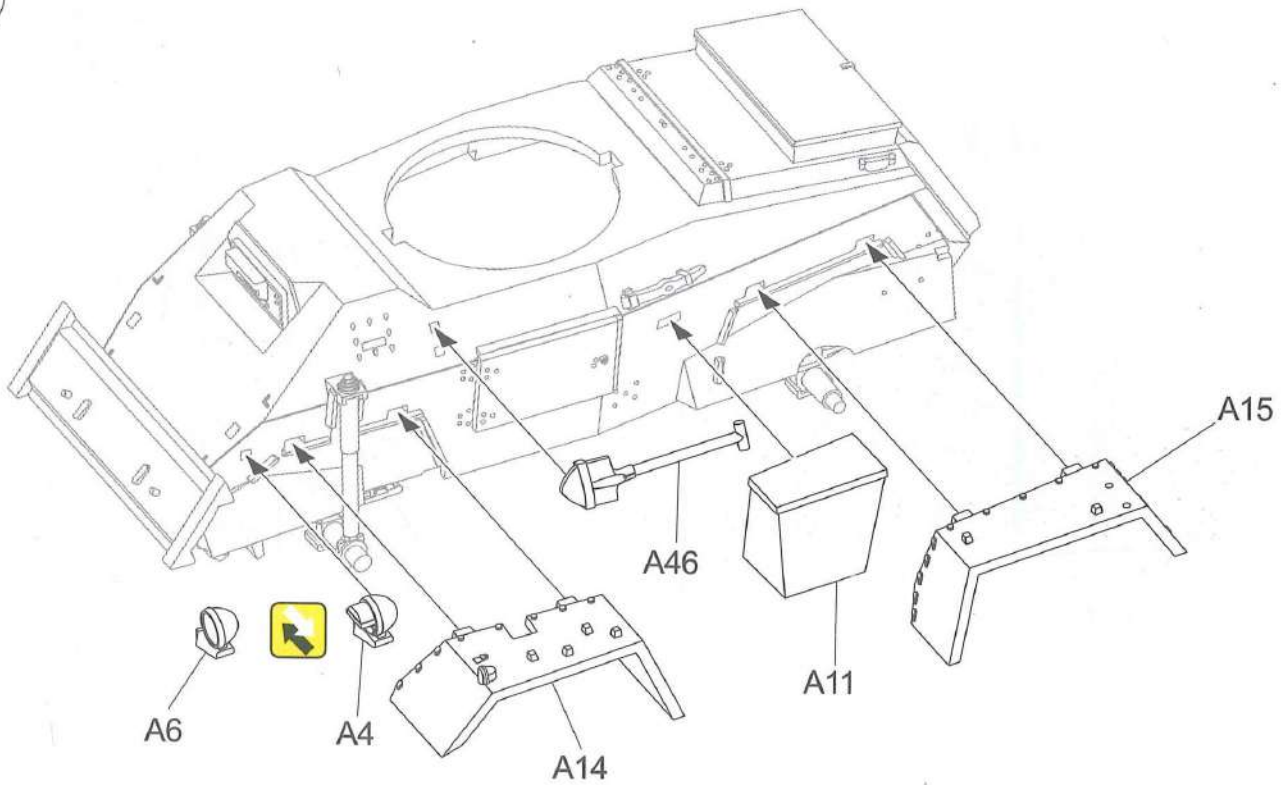
3



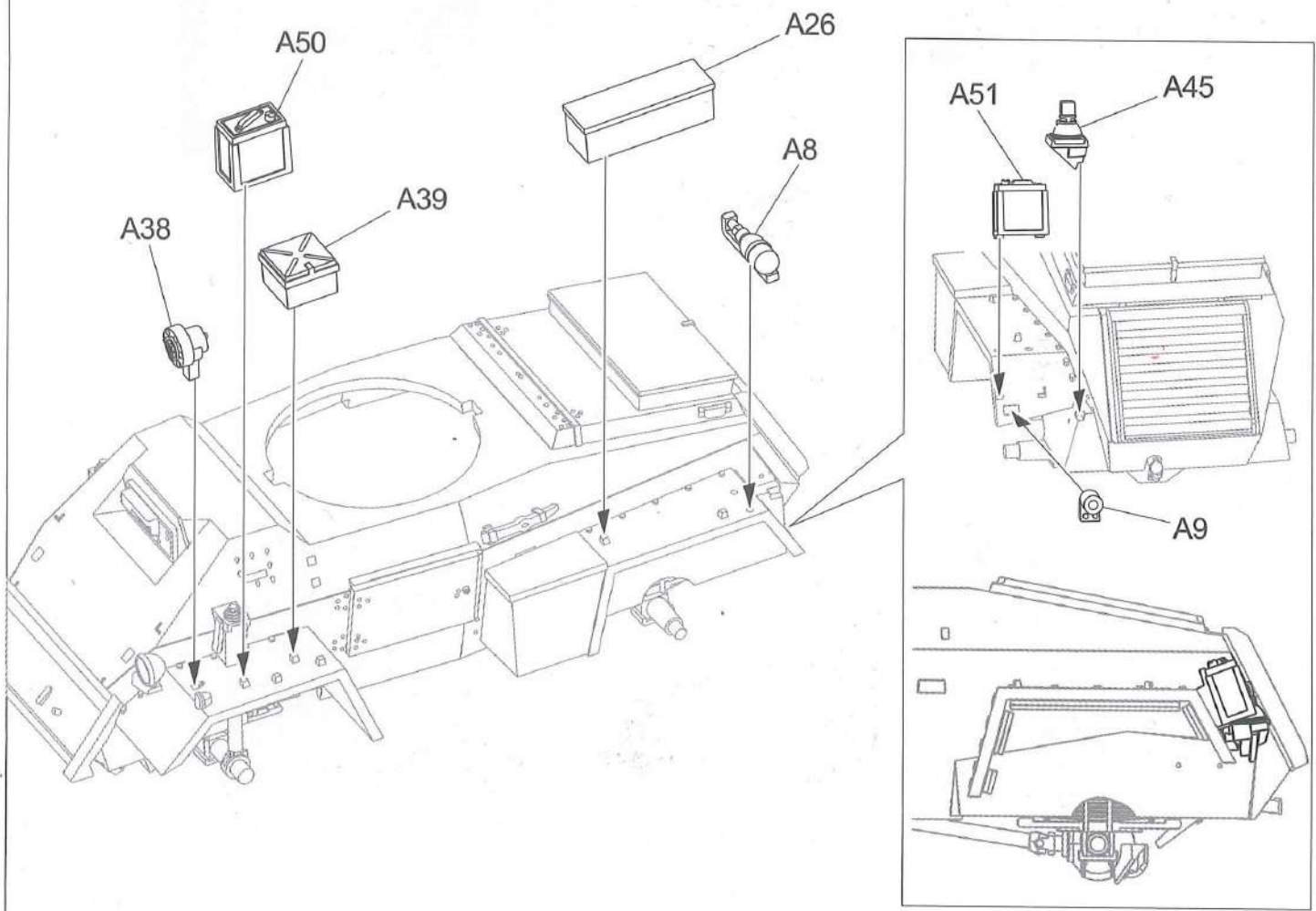
4



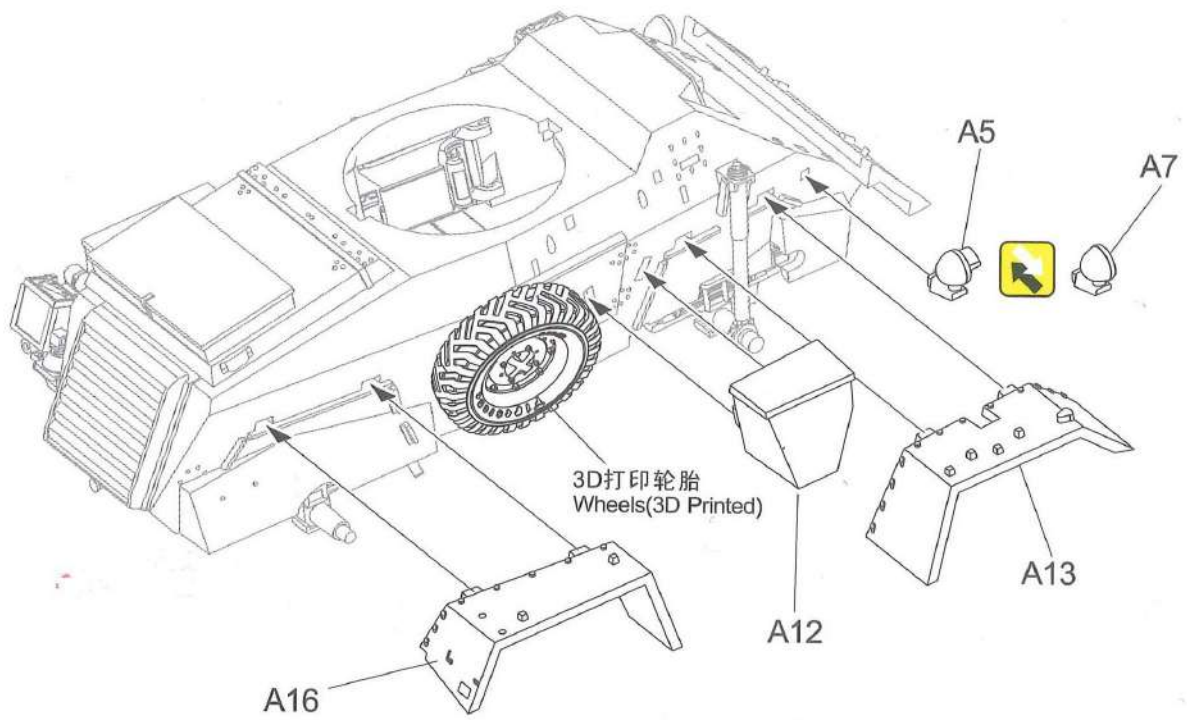
5



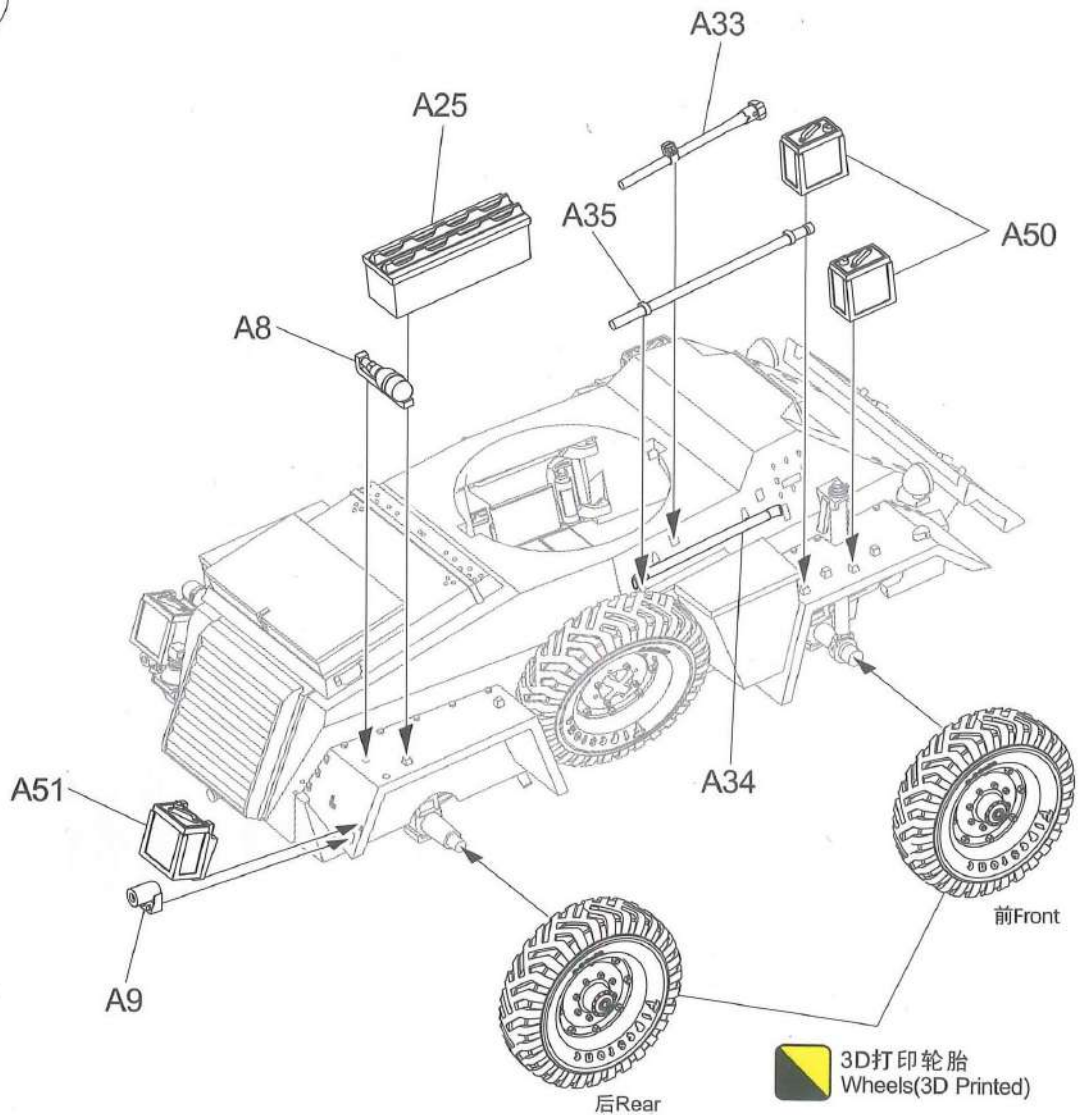
6



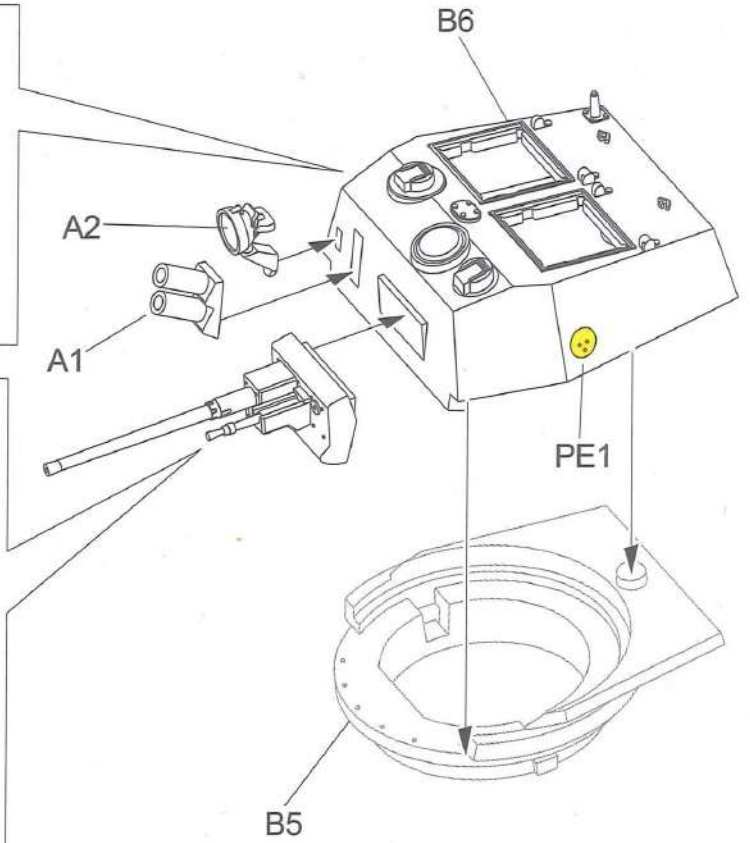
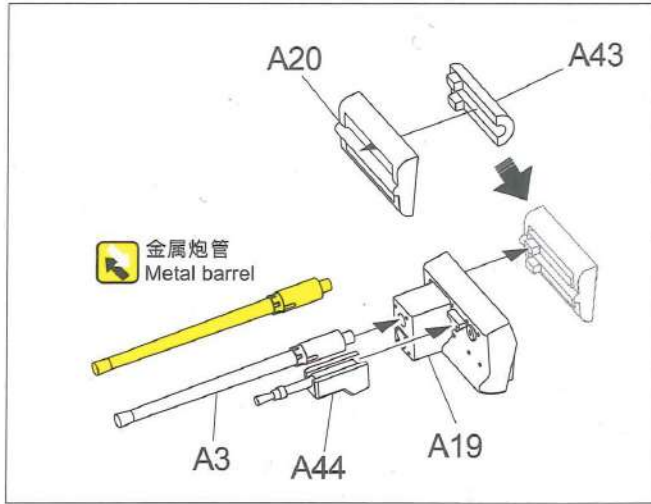
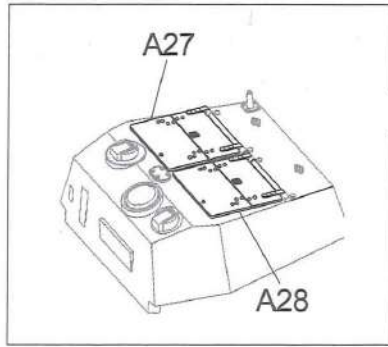
7



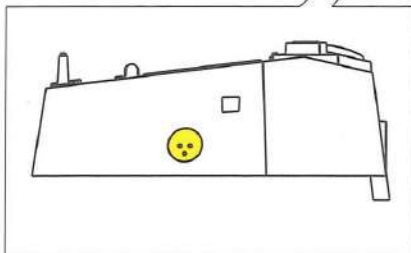
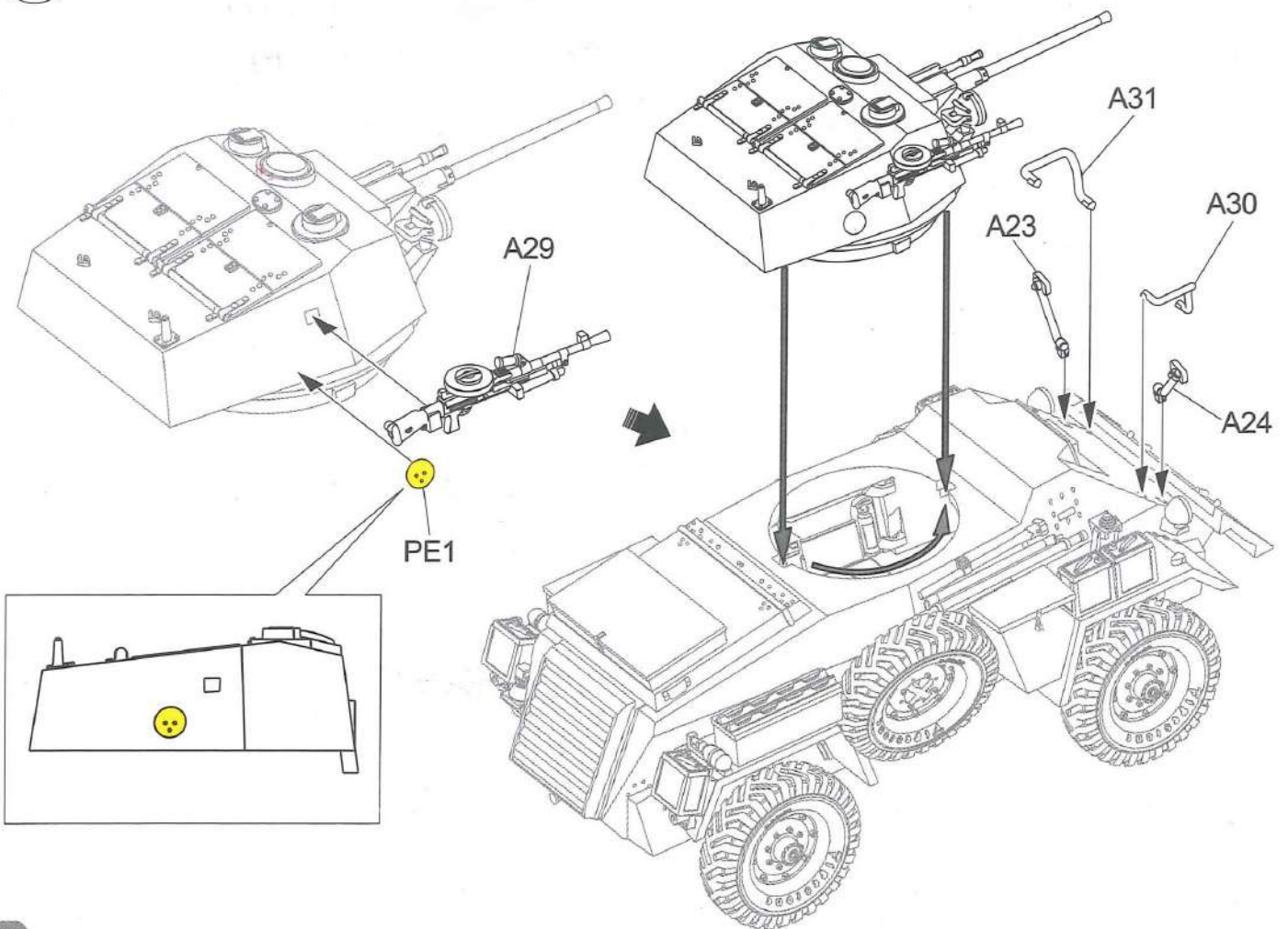
8



9



10



Markings

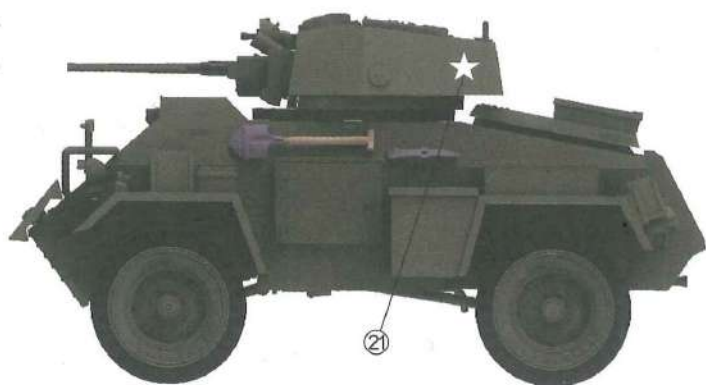
Battle Of The Reichswald, 53rd Welsh Infantry Division, february 1945
 1945年2月芮斯华森林战役，英国陆军第53步兵师



1st Polish Armored Division, France 1944
 1944年法国，波兰第一装甲师



Falaise Pocket, 1st Polish Armored Division, France 1944
 1944年法国法莱斯口袋战役，波兰第一装甲师



Print

	Color	GSI	TAMIYA	Vaiejo
灰绿色	dark green	<input type="checkbox"/> C70	XF-61	70. 968