

Douglas XA2D-1 Skyshark

1/72 scale resin model kit

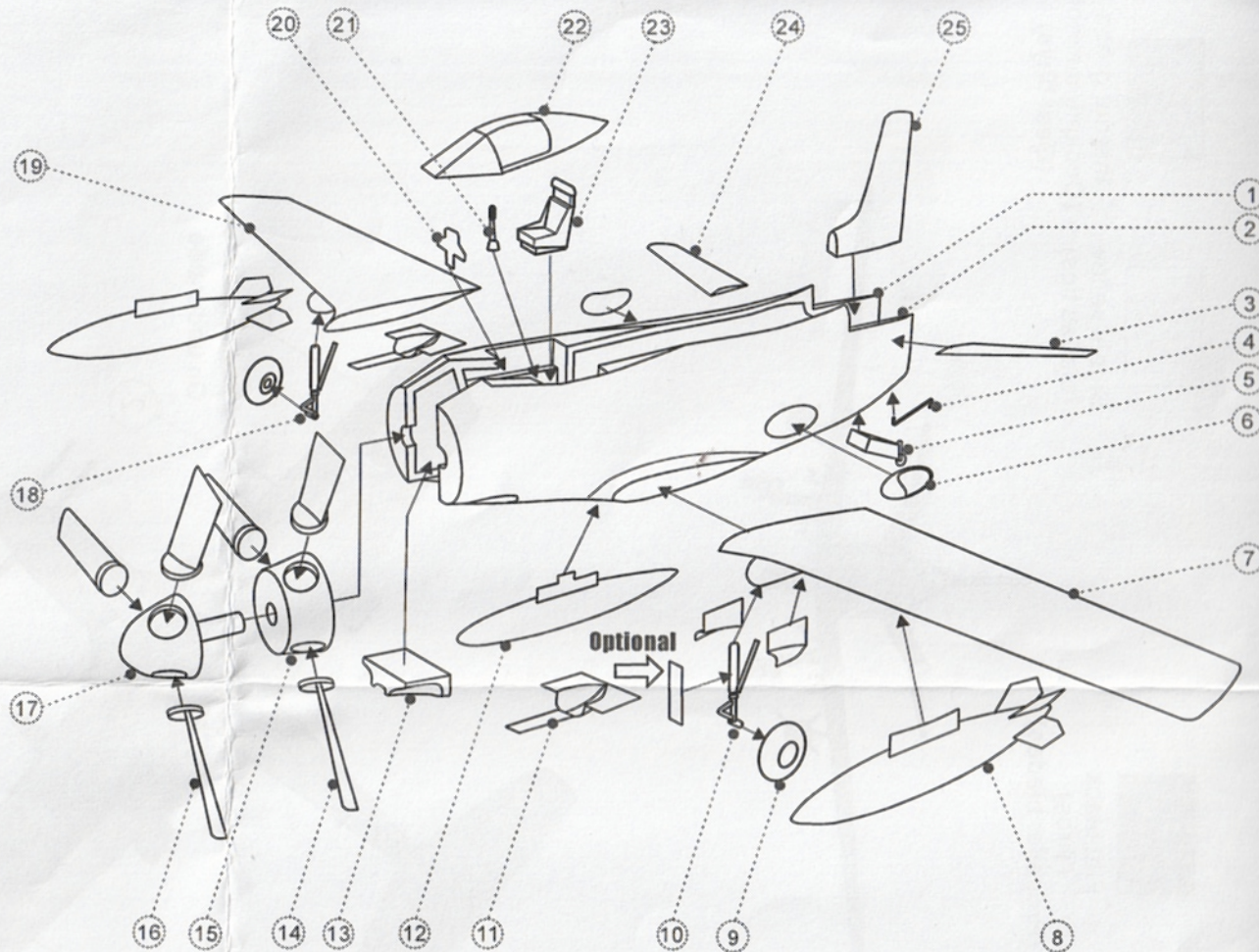
#AA-2048

In June 1945, with the success of the high performance AD Skyraider, the US Navy asked Douglas to design a new version of the AD with turbo-prop power, and selected Allison to design the power-plant. Allison proposed to install a pair of nose mounted engines to drive two contra-rotating propellers. In cruise flight, one of the engines and propellers could be shut down to increase the flight range. In 1947, two prototypes - designated XA2D-1 Skyshark - were ordered. The first flight was made in 1950. Performance was satisfactory but an engine vibration problem appeared. With the outbreak of the Korean War, the US Navy needed a new carrier based attack aircraft; the A2D-1 was ordered into production. However, the engine problem persisted and the first prototype crashed. The flight tests continued until one of the pre-production aircraft crashed in 1954. After that incident, the A2D-1 never flew again.

Specifications:

Span - 50ft.
Length - 41ft.2in.
Height - 17ft.
Powerplants - 1x Allison XT40-A-2 coupled turboprop
Crew - 1
Max speed - 501 mph
Armament - 4x 20mm T31cannon / 200 lbs bomb load

One of the production aircraft was unpainted in natural metal finishing.



- | | | |
|-------------------------------|------------------------------------|------------|
| 1 Starboard fuselage x 1 | 13 Jet intake insert x 1 | 25 Fin x 1 |
| 2 Port fuselage x 1 | 14 Aft propeller x 3 | |
| 3 Port tailplane x 1 | 15 Aft spinner x 1 | |
| 4 Starboard fuselage x 1 | 16 Fore propeller x 3 | |
| 5 Arresting hook x 1 | 17 Fore spinner x 1 | |
| 6 Tail landing gear x 1 | 18 Starboard main landing gear x 1 | |
| 7 Port main wing x 1 | 19 Starboard main wing x 1 | |
| 8 Outboard drop tank x 2 | 20 Instrument panel x 1 | |
| 9 Main wheel x 2 | 21 Control stick x 1 | |
| 10 Port main landing gear x 1 | 22 Canopy (vacformed part) x 1 | |
| 11 Main gear door x 2 | 23 Pilot seat x 1 | |
| 12 Center tank x 1 | 24 Starboard tailplane x 1 | |




ANIGRAND
CRAFTSWORK



PO Box 40, Texaco Road, NT,
Hong Kong.

E-mail : email@anigrand.com

Web : <http://www.anigrand.com>

Painting & Decals

-  Dark sea blue (Fuselage)
-  Aluminum Silver (Exhaust pipes) (Landing gears) (Propeller blades) (Wheel hubs)
-  Flat black (Tires)

-  Signal yellow (blades tips)
-  Interior green (Cockpit/interior) (Gear bays)

