



**KI-51 SONIA  
IN FOREIGN  
SERVICE**

**1:144**  
model # CP144003

scale model kit

SPAN: 84 mm

LENGTH: 65 mm

NUMBER OF PARTS: 48 pcs

	stages of assembly		optional
	variants of assembly		glue by super glue
	part number		do not glue
	separate details		make a hole
	apply decals		detach with knife
	apply the adhesive mask		paint
	bend		repeat the operation N times

**KI-51 "Sonia"**  
 Role Light bomber/diver bomber  
 Manufacturer Mitsubishi Jukogyo KK  
 First flight mid-1939  
 Primary user Imperial Japanese Army Air Force  
 Number built 2.385

The Mitsubishi Ki-51 "Sonia" was a light bomber/diver bomber in service with the Imperial Japanese Army during World War II. It first flew in mid-1939. Initially deployed against Chinese forces, it proved to be too slow to hold up against the fighter aircraft of the other Allied powers. As the war drew to a close, the Japanese began using them in kamikaze attacks.

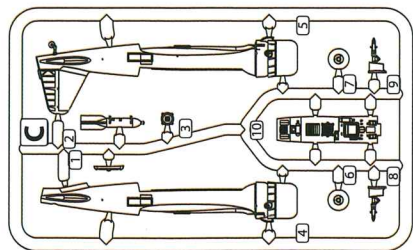
The series began as two prototypes. Its design incorporated a crew of two seated in tandem under a long greenhouse-style canopy with the pilot in front and a gunner in back. The cockpit sat ahead of midships and over the monoplane wing assemblies which themselves were straight projections with rounded tips. The large radial piston engine was mounted in a forward compartment as usual and the fuselage tapered elegantly to a point under the tail. A single rounded vertical tail fin was used along with low-set horizontal tailplanes. The undercarriage was of the tail-dragger arrangement and fixed in place with aerodynamic fairings set over the main legs - typical of early-war mounts such as the Ki-51.

Dimensions: length - 9.2 meters, wingspan - 12 meters, height - 2.7 meters. Maximum Take-Off Weight - 6,415 lbs. Power came from a single Mitsubishi Ha-26-II series 14-cylinder radial piston engine developing 950 horsepower. Maximum speed reached 265 miles per hour, a service ceiling up to 27,130 feet. Standard armament - 2x fixed, forward-firing 7.7mm Type 89 machine guns. The rear operator managed a single 7.7mm Te-4 series machine gun. Ki-51 was cleared to carry up to 440lbs of bombs.

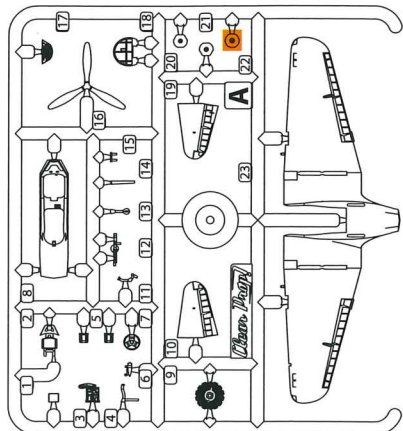
**REQUIRED PAINTS**

	MR. COLOR 1 A.MIG-0050 WHITE		MR. COLOR 16 A.MIG-0260 IJA GREEN		MR. COLOR 28 A.MIG-0191 STEEL		MR. COLOR 47 A.MIG-0093 CLEAR RED		MR. COLOR 61 A.MIG-0187 BURNT IRON		MR. COLOR 128 A.MIG-0258 IJA GRAY GREEN		MR. COLOR 131 A.MIG-0034 PROPELLER COLOR		MR. COLOR 138 A.MIG-0092 CLEAR GREEN
	MR. COLOR 8 A.MIG-0195 SILVER		MR. COLOR 55 A.MIG-0056 KHAKI		MR. COLOR 137 A.MIG-0033 TIRE BLACK		MR. COLOR 2 A.MIG-0046 BLACK SCHWARZ		MR. COLOR 126 A.MIG-0270 COCKPIT COLOR (MITSUBISHI)		MR. COLOR 58 A.MIG-0125 ORANGE YELLOW		MR. COLOR 218 A.MIG-0194 ALUMINIUM		

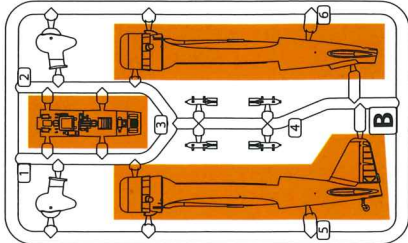
THIS MODEL IS PRODUCED FOR EXPERIENCED MODELERS OVER 14 YEARS



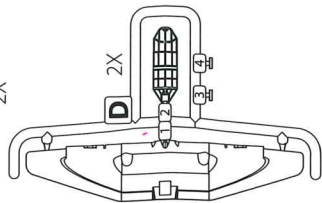
2X



2X

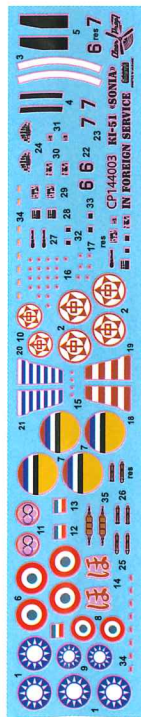


2X



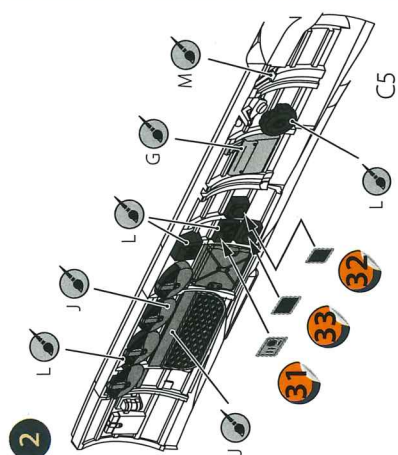
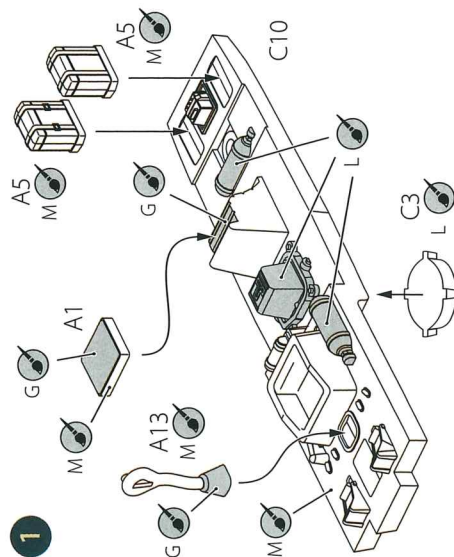
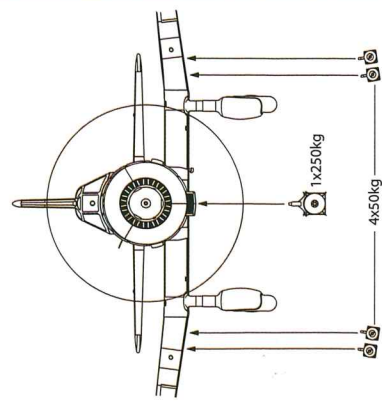
2X

DECAL SHEET

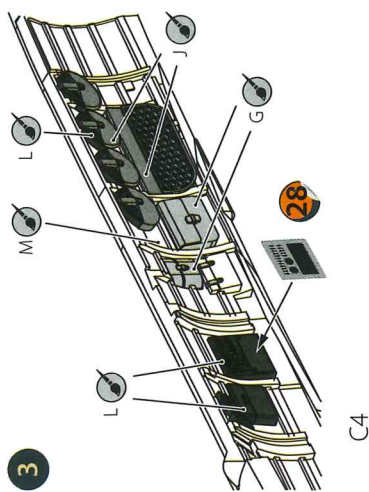


Parts not for use

BOMB LOADS

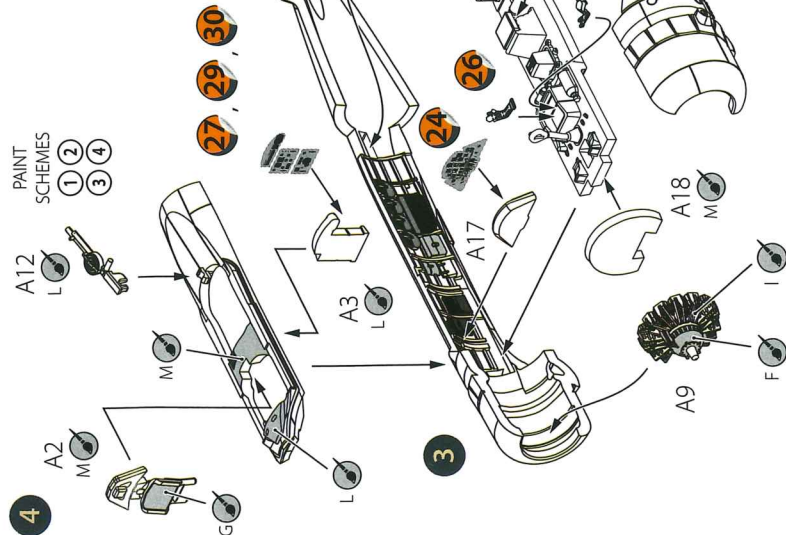


2



3

C4



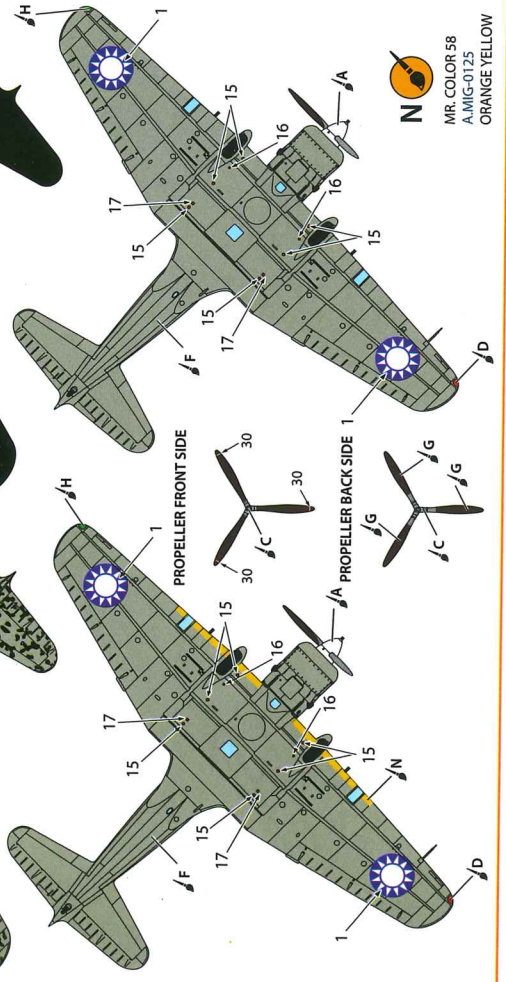
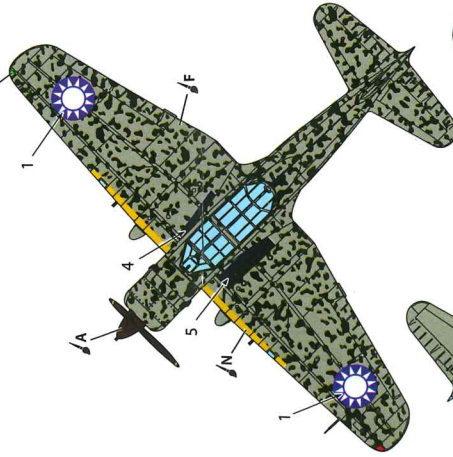
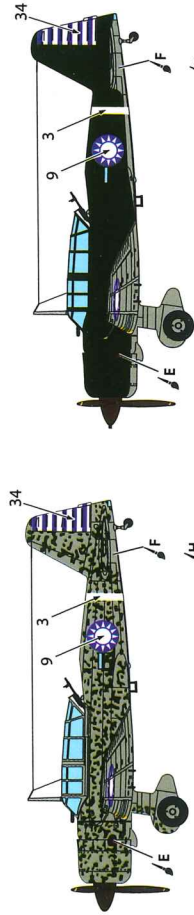
4

PAINT SCHEMES  
1 2 3 4



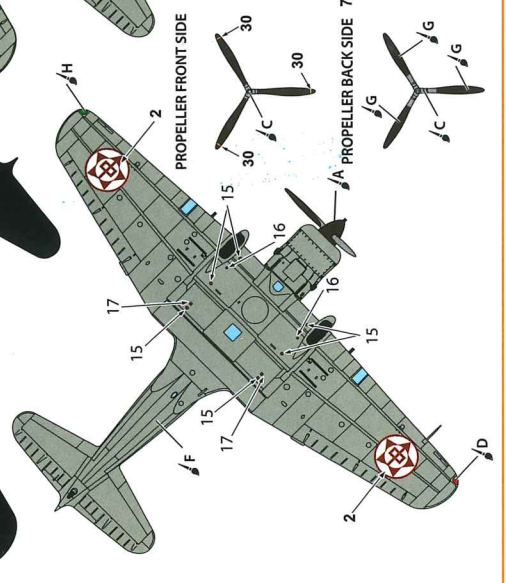
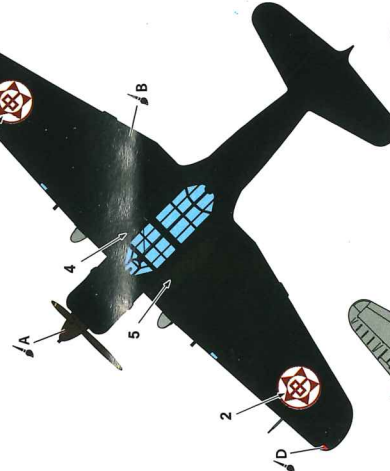
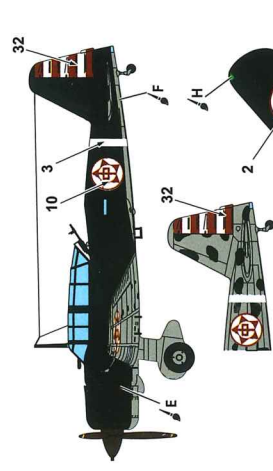
- A** MR. COLOR 1  
A.MIG-0050  
WHITE
- B** MR. COLOR 16  
A.MIG-0260  
JIA GREEN
- C** MR. COLOR 28  
A.MIG-0191  
STEEL
- D** MR. COLOR 47  
A.MIG-0093  
CLEAR RED
- E** MR. COLOR 61  
A.MIG-0187  
BURNT IRON
- F** MR. COLOR 128  
A.MIG-0258  
JIA GRAY GREEN
- G** MR. COLOR 131  
A.MIG-0034  
PROPELLER COLOR
- H** MR. COLOR 138  
A.MIG-0092  
CLEAR GREEN

① Ki-51 "Sonia", National Revolutionary Army Air Force, Mainland China, Shandong, 1946



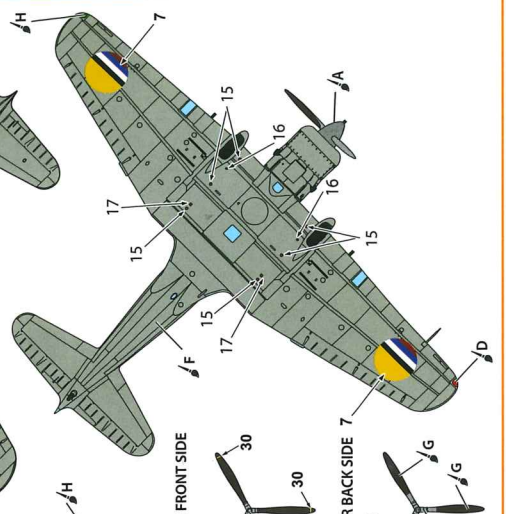
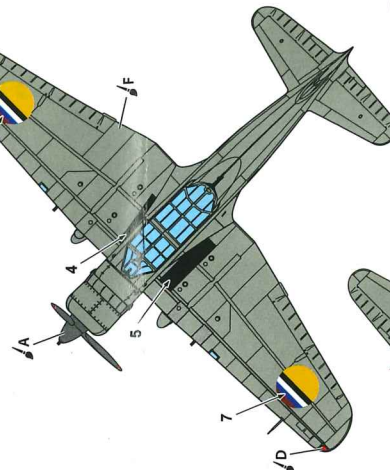
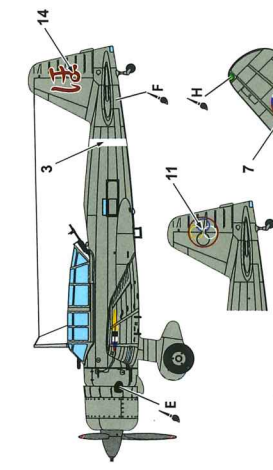
- N** MR. COLOR 58  
A.MIG-0125  
ORANGE YELLOW

② Ki-51 "Sonia", National Revolutionary Army Air Force, Mainland China, 1946.



- A** MR. COLOR 1  
A.MIG-0050  
WHITE
- B** MR. COLOR 16  
A.MIG-0260  
JIA GREEN
- C** MR. COLOR 28  
A.MIG-0191  
STEEL
- D** MR. COLOR 47  
A.MIG-0093  
CLEAR RED
- E** MR. COLOR 61  
A.MIG-0187  
BURNT IRON
- F** MR. COLOR 128  
A.MIG-0258  
JIA GRAY GREEN
- G** MR. COLOR 131  
A.MIG-0034  
PROPELLER COLOR
- H** MR. COLOR 138  
A.MIG-0092  
CLEAR GREEN

③ Ki-51 "Sonia", China Roundeil People's Liberation Army Air Force, Mainland China, 1946.





MR. COLOR 1  
A.MIG-0050  
WHITE



MR. COLOR 16  
A.MIG-0260  
J/A GREEN



MR. COLOR 28  
A.MIG-0191  
STEEL



MR. COLOR 47  
A.MIG-0093  
CLEAR RED



MR. COLOR 61  
A.MIG-0187  
BURN'T IRON



MR. COLOR 128  
A.MIG-0258  
J/A GRAY GREEN

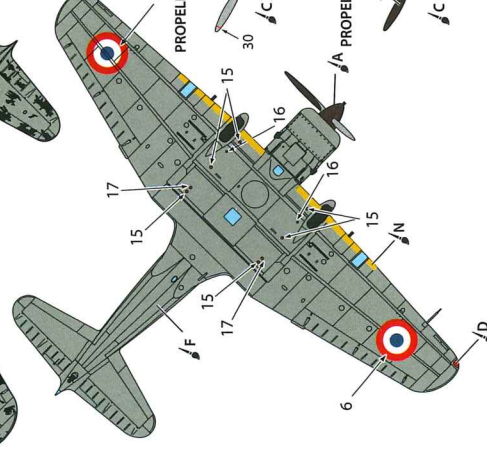
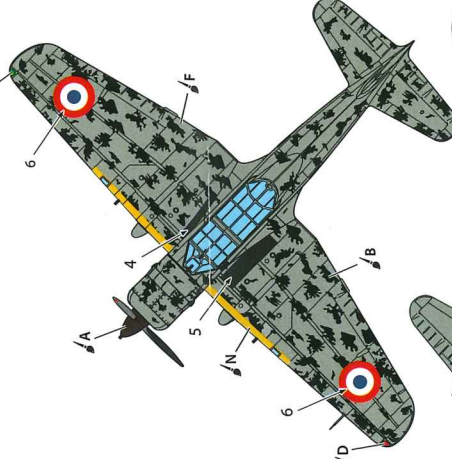
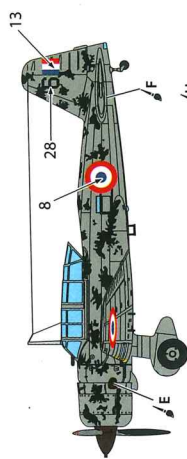


MR. COLOR 131  
A.MIG-0034  
PROPELLER COLOR

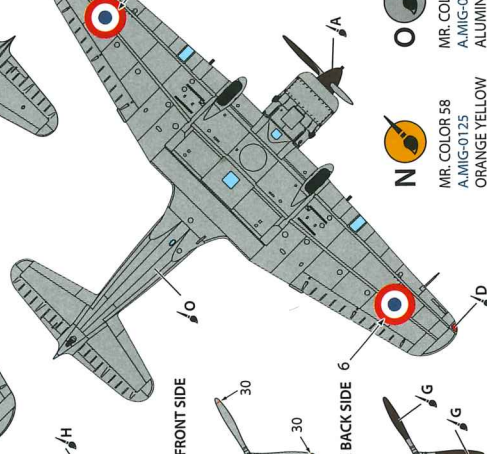
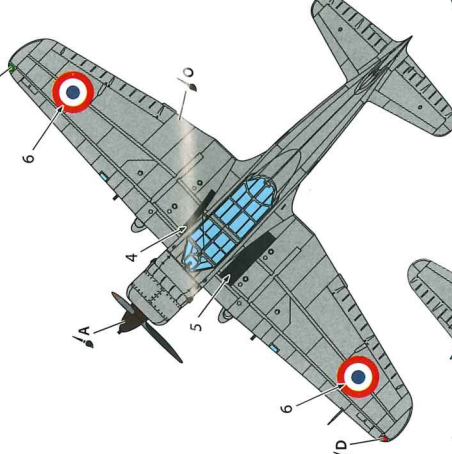
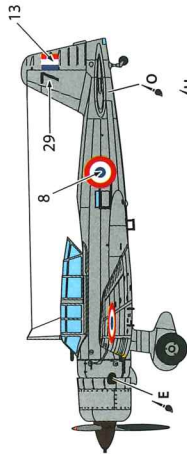


MR. COLOR 138  
A.MIG-0092  
CLEAR GREEN

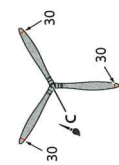
⑤ Ki-51 "Sonia", French air force, liaison squadron EL-99, early 1946.



⑥ Ki-51 "Sonia", French air force, liaison squadron EL-99, French Indochina, 1946 - 1949.



PROPELLER FRONT SIDE



PROPELLER BACK SIDE



MR. COLOR 58  
A.MIG-0125  
ORANGE YELLOW



MR. COLOR 218  
A.MIG-0194  
ALUMINIUM