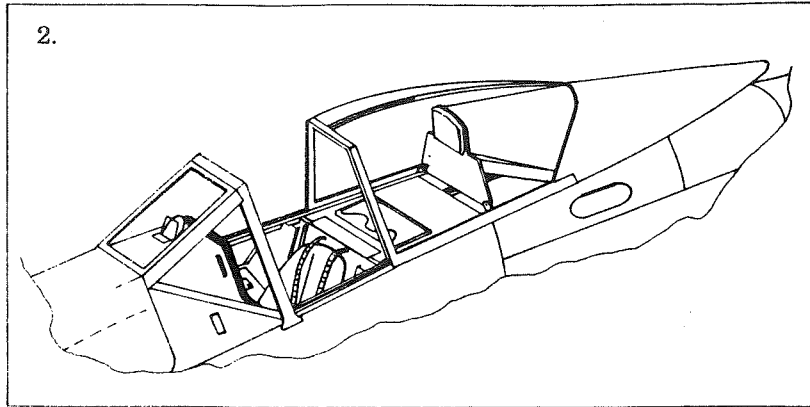


# FALCON Clear-Vax



## CANOPY SET NO. 5 - LUFTWAFFE FIGHTERS AND ATTACK AIRCRAFT.



N.B. As the use of this product is beyond the control of the seller it is sold with no warranty, statutory or otherwise, whatsoever.

Made in New Zealand



### ASSEMBLY NOTES

Cut the desired canopy, complete with base, away from the rest of the sheet. To separate the canopy from the base, carefully score around the edges with a very sharp modelling knife or scalpel. Any rough edges can be cleaned up with fine grade wet and dry sandpaper. The canopy is best attached to the model with PVA or white glue. Cyanoacrylate glue can also be used but must be used sparingly as large amounts tend to cause frosting on the clear areas. The best way to achieve crisp frame lines is by attaching pre-painted strips of decal film where required. It will be necessary to undercoat the frame lines marked on the canopy as decals need a painted surface for best adhesion.

1. Focke-Wulf FW190 Standard canopy. Suggested kits: Airfix FW190A - 8 and FW190D - 9. Trim rear fairing from kit fuselage in order to fit clear-vax canopy.

2. FW190 "Blown" canopy. Suggested kits: Airfix FW190A & D, Frog/Revell Ta152H. Suggested references: Squadron/Signal No 19, Aerodata No 1, Monogram Close-Ups 8 & 10.

3a. Messerschmitt Bf109B/E. Suggested kits: Heller Bf - 109B, Airfix or Matchbox Bf109E.

3b. Messerschmitt Bf109E/F. Suggested kit: as above. References: Squadron/Signal No 44, Aerodata No. 4.

4. Junkers Ju87B Stuka. Suggested kit: Fujimi Ju87B/R. Note on the drawing the position of the internal framelines as shaded and that the front edge of the rear section has been lengthened to fit under the rear lip of the pilots canopy.

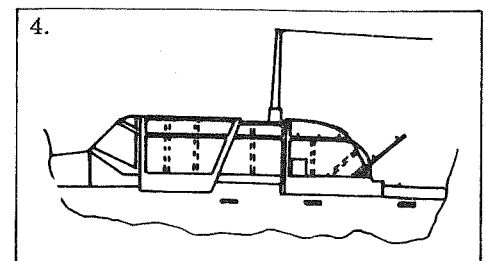
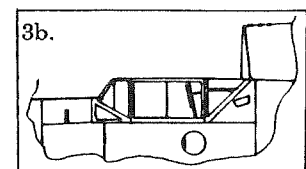
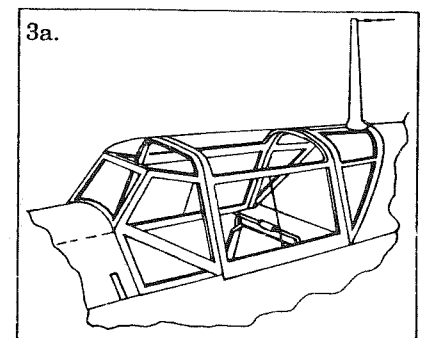
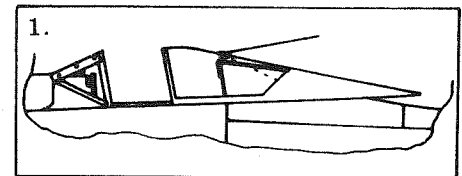
5. Ju87D Stuka. Suggested kit: Fujimi Ju87D/G. This canopy fits in similar fashion to the Ju87B. Suggested reference: Squadron/Signal No 73.

6. Henschel Hs129. Suggested kit: Airfix Hs129B. Using the drawing as a guide, cut away the shaded area and fit the clear-vax replacement. Note that the upper spine of the fuselage, aft of the canopy, is moulded too sharp and needs rounding off for better accuracy. The engine cowlings also need reshaping. Reference: Squadron/Signal Luftwaffe in Action No 4.

7. Horten Ho229. Suggested kit: Pioneer 2 Ho229.

8. Messerschmitt Me410. Suggested kit: Matchbox Me410A. Note the internal horizontal frameline on the main canopy. Suggested references. Scale models Feb/Mar 1979, Modelaid No 2.

9. Heinkel He219. Suggested kit: Revell He219A - 5. Suggested reference: Profile No 219.



10. Heinkel He112. Suggested kit: Heller He112B. Note that the sliding section is designed to overlap the rear piece.

11. Focke-Wulf Ta154. Suggested kit: Pioneer 2 Ta154A-0. Some filling will be necessary to build up the fuselage at the cockpit rear. This is due to the poor fit of the kit parts. Suggested reference: Warplanes of the Third Reich - William Green (McDonald).

12. Messerschmitt Me163 "Komet". Suggested kit: Heller Me163. Suggested reference: Scale Models; August 1977.

Please note that where we suggest a certain kitset as suitable for our replacement canopy, the suggested kit is generally regarded as the most accurate model to the given scale. We cannot guarantee that our canopy will fit other kits of the same subject.

Produced by  
**FALCON INDUSTRIES**  
P.O. BOX 42-093  
WELLINGTON  
NEW ZEALAND

Falcon Industries is an  
associate member of  
I.P.M.S. New Zealand

