

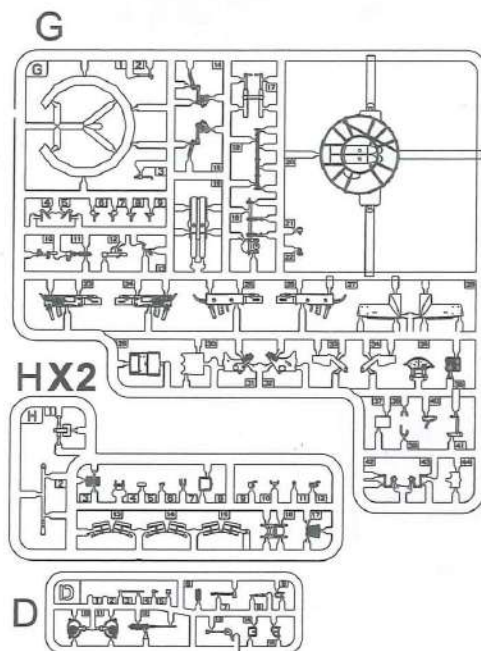
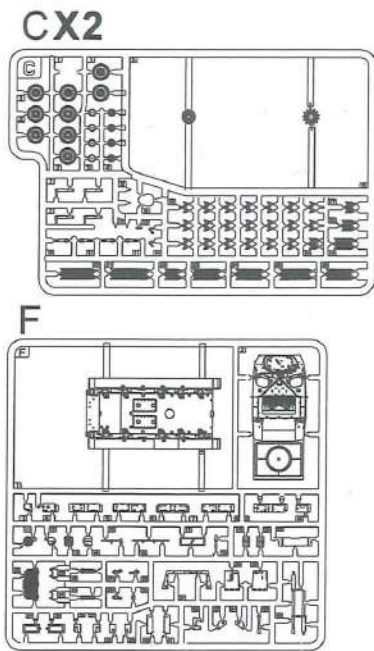


M19 TWIN 40MM GUN MOTOR CARRIAGE

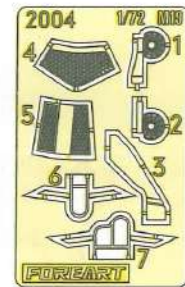
**1/72
scale**

M19双联装40毫米自行高射炮

ITEM 2004



Decal
水贴纸



Metal barrel
金属炮管

Photo-etch
蚀刻片

切除阴影部分 Remove shaded parts	钻孔 Drill	对侧同样制作 Make the same for the other side	将孔填平 Fill holes	选择制作 Options to choose
锉平 File smoothly	x2 制作2组 Make two sets	不用黏合 Do not cement	使用瞬间胶 Use instant glue	注意 Attention
A1 塑料零件编号 Codes for plastic parts	A2 蚀刻片编号 Codes for photo etched parts	16 过往步骤 Previous steps	A1 被取代的零件编号 Codes for replaced parts	C35 郡士油性漆 Gunze Mr.color

水贴使用说明

1. 将水贴剪下置于温水中浸泡约15秒。
2. 从水中取出水贴，等待图案与底纸自然分离。
3. 将水贴置于恰当的位置，轻轻将水贴印刷面推离底纸至适当位置。
4. 精确调整水贴的位置。
5. 用吸水纸巾或棉签轻轻按压水贴表面，将水份和气泡全部挤出。
6. 待其自然干燥。

Instruction for decal application

1. Cut decals from sheet and soak them into water for 15 seconds.
2. Take decals from water and wait them to separate from base paper naturally.
3. Hold the edge of decals and slide them onto the model.
4. Move decals to proper positions precisely.
5. Press decals down gently with water absorption paper or cotton bud until excess water and air bubbles are gone.
6. Wait decals dry.



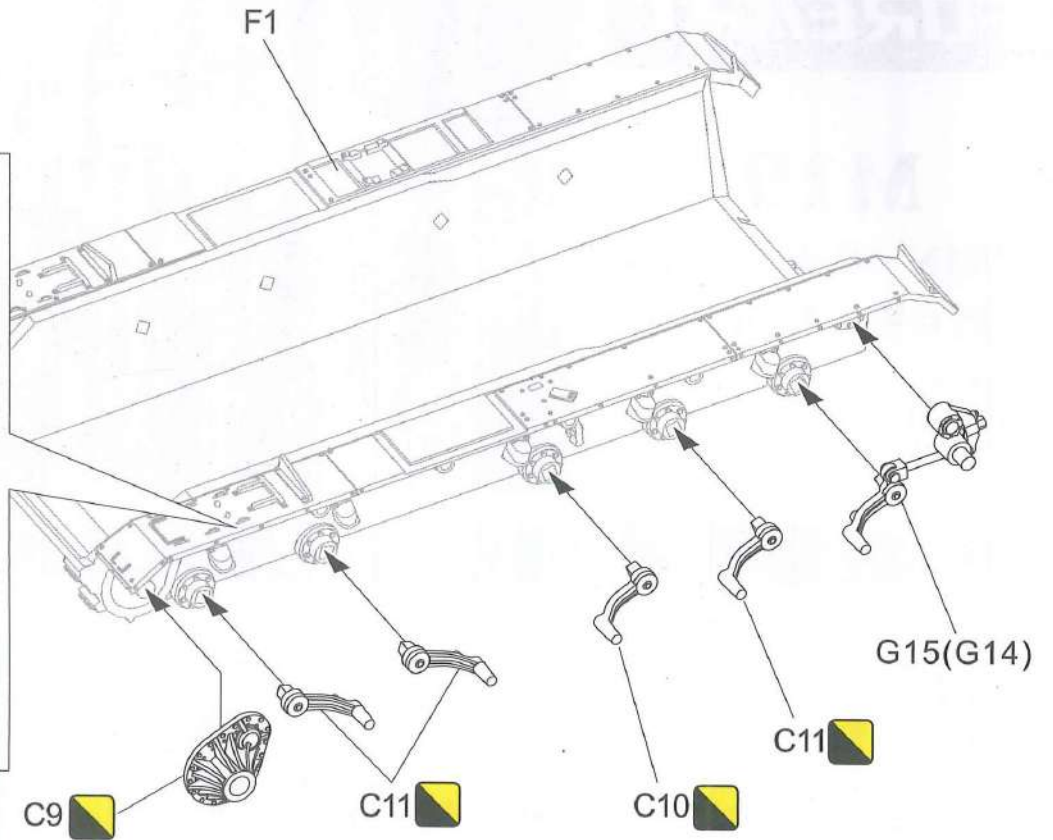
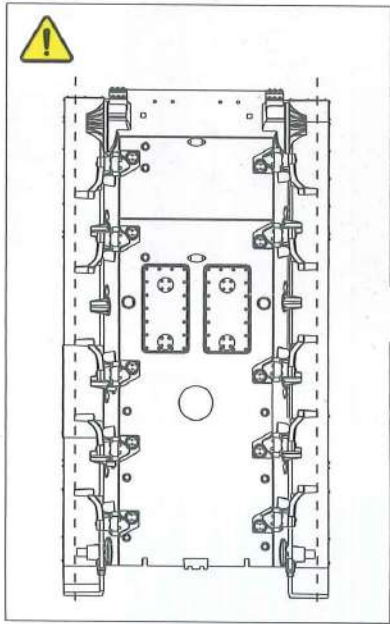
**注意
CAUTION**

在使用胶水组装模型或进行涂装上色的过程中，请保持通风环境。

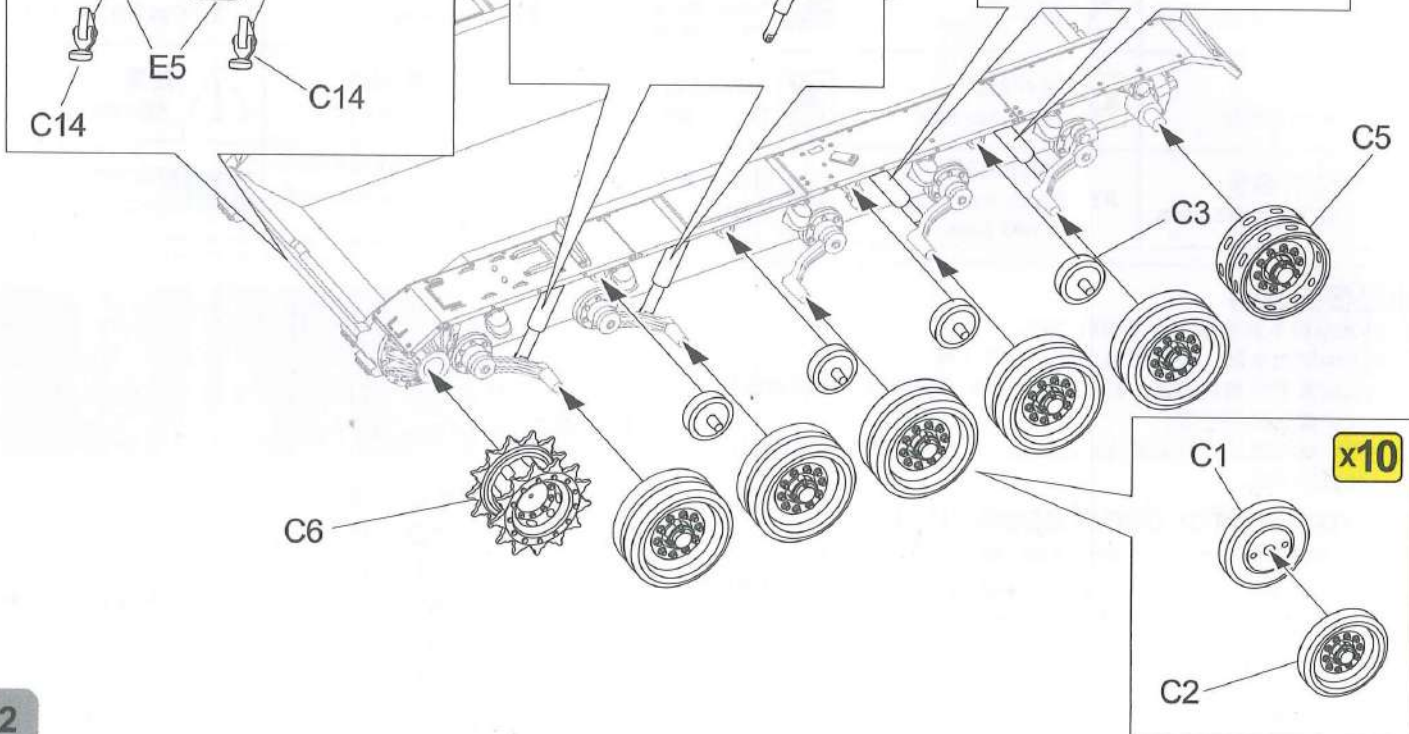
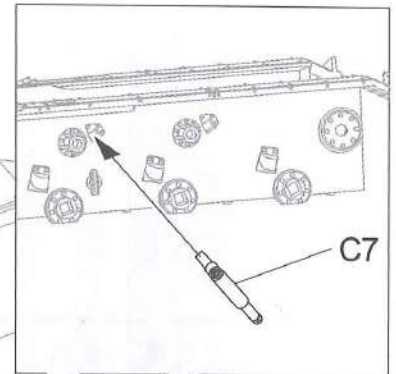
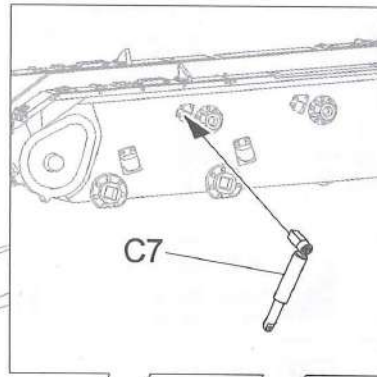
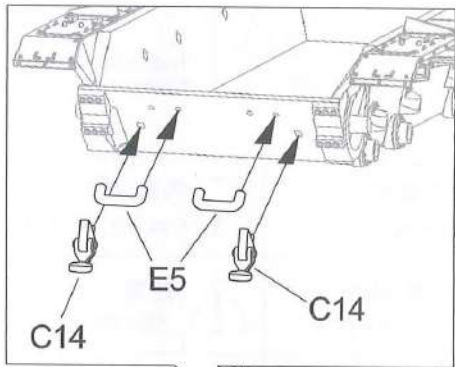
Keep ventilated when glue or paint was used

南京市极致模型玩具有限公司
中国江苏省南京市江北新区七瑶路7号
Nanjing JiZhi Models & Toys Co., Ltd.
No. 7 Qi Yao Road, Jiangbei New Area, Nanjing China
Tel: +86-25-86518995
E-mail: forehobby@sina.com
www.forehobby.com

1

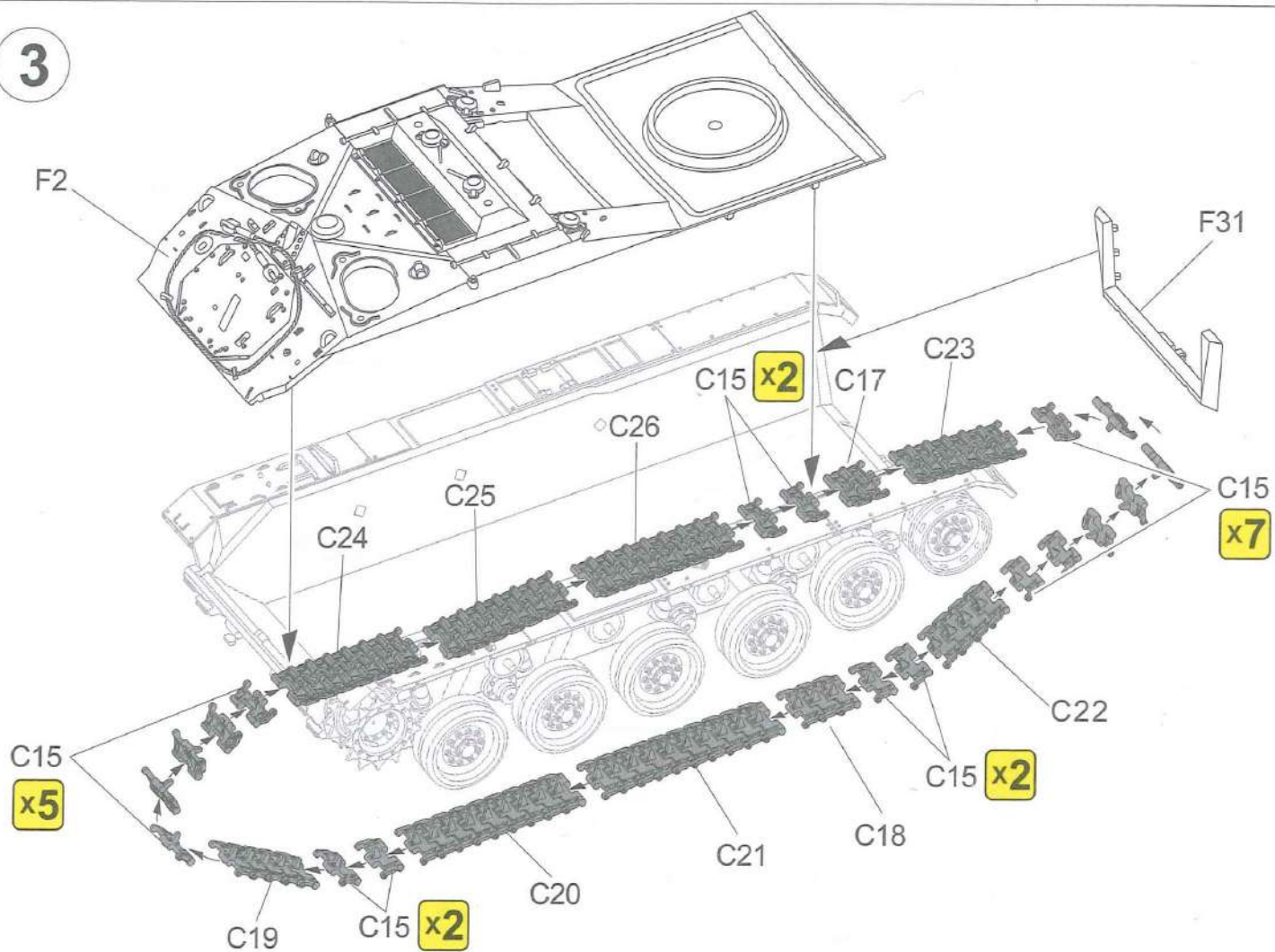


2

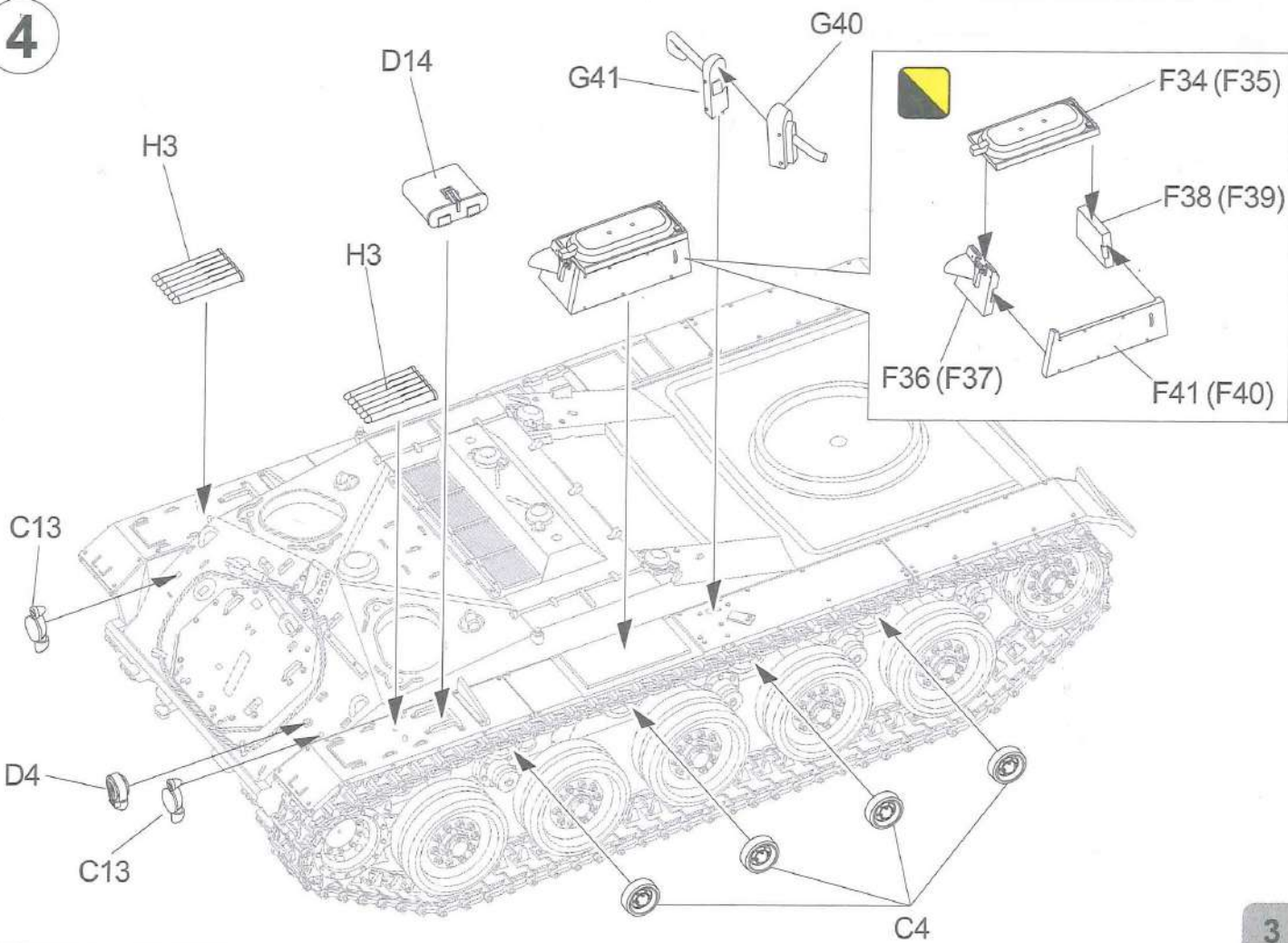


2

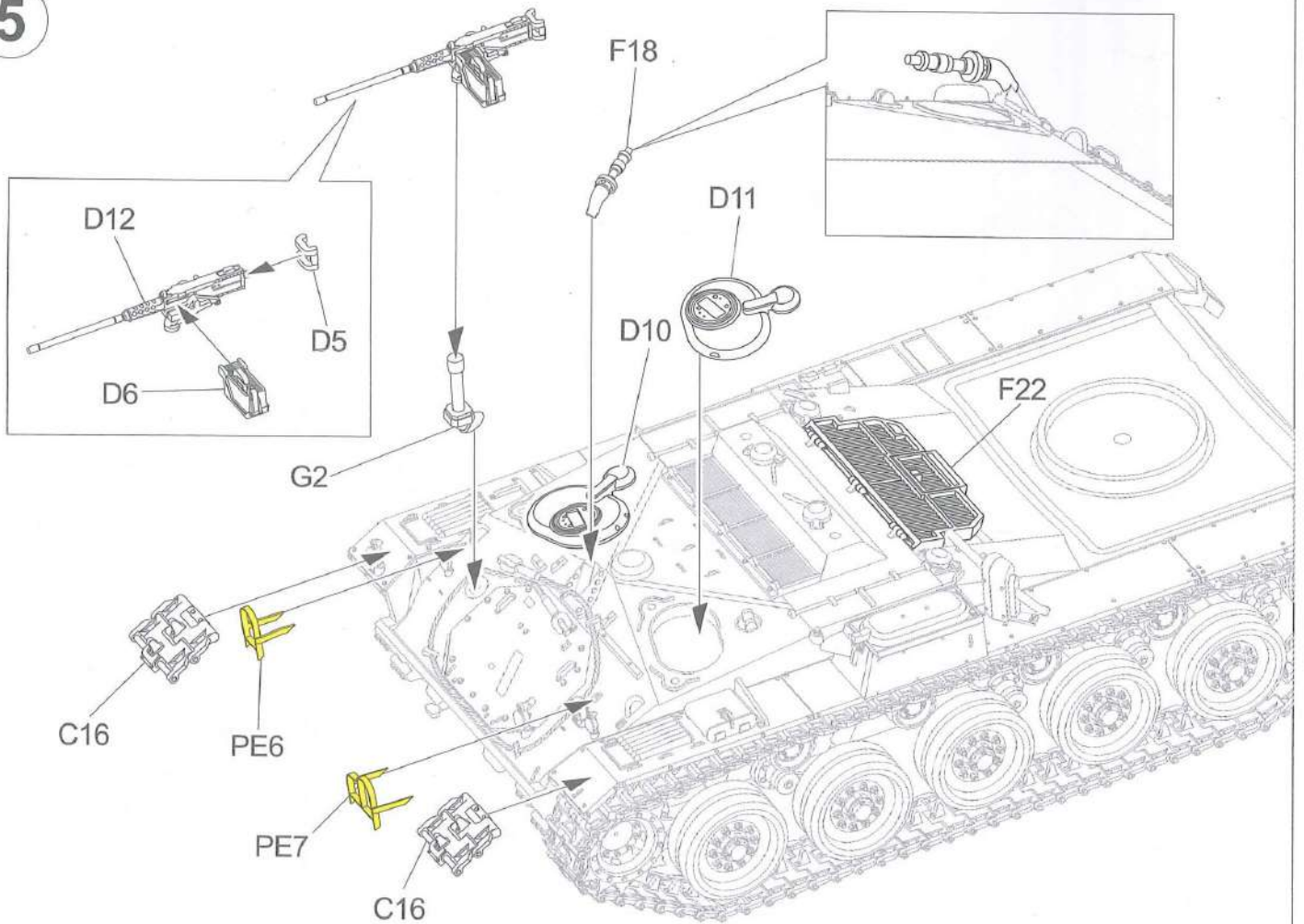
3



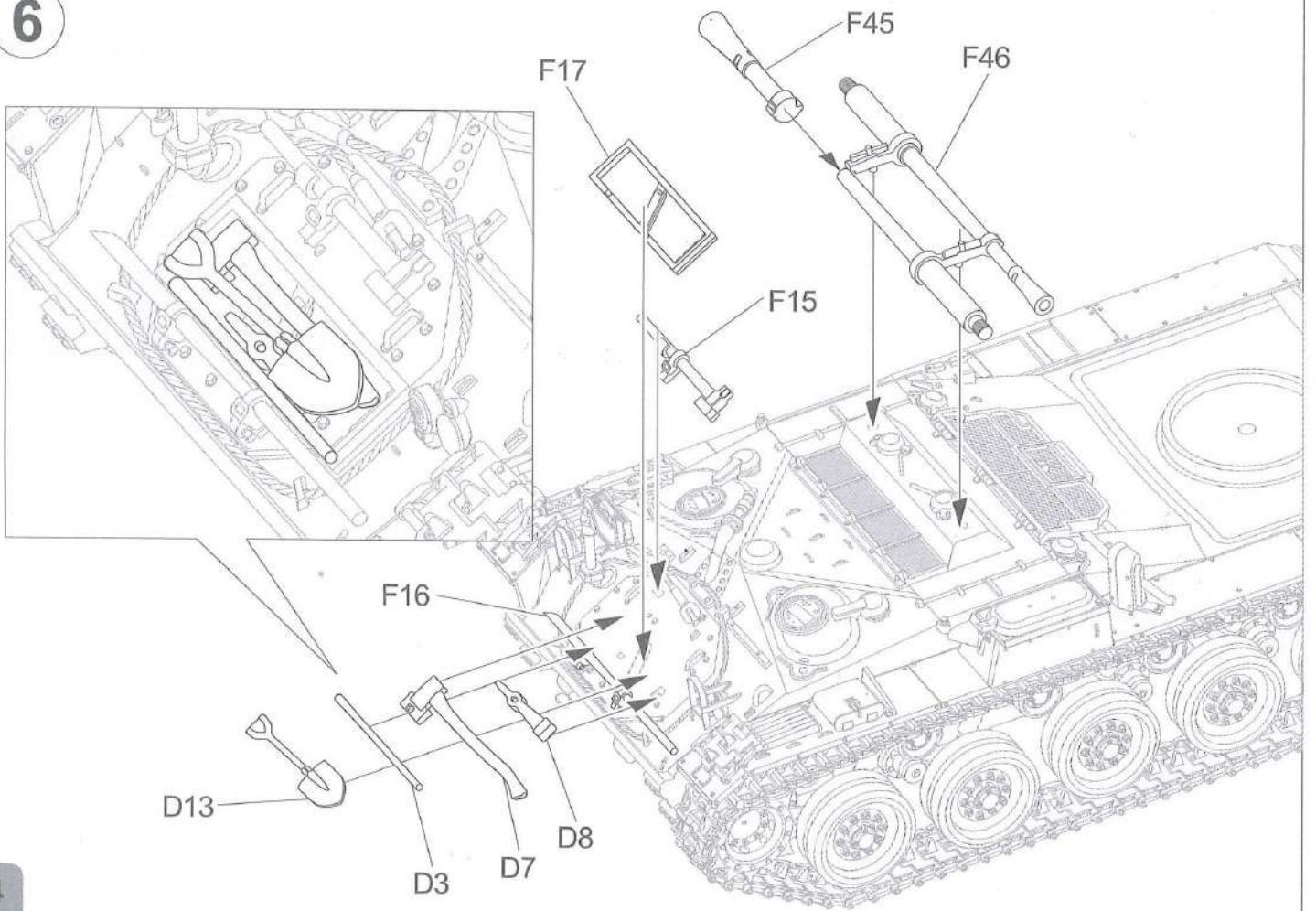
4



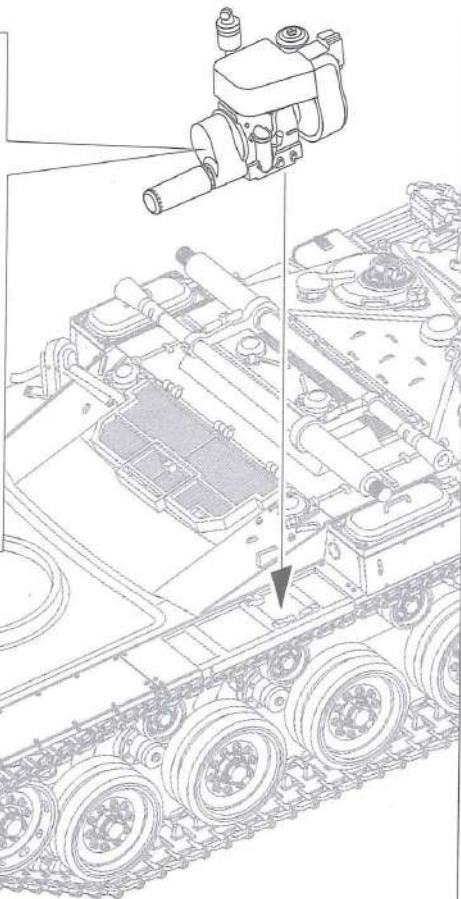
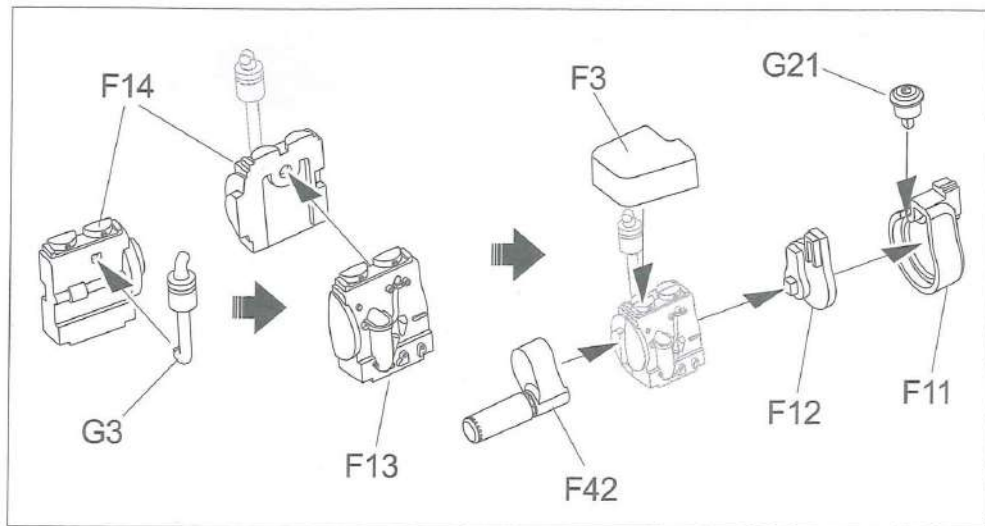
5



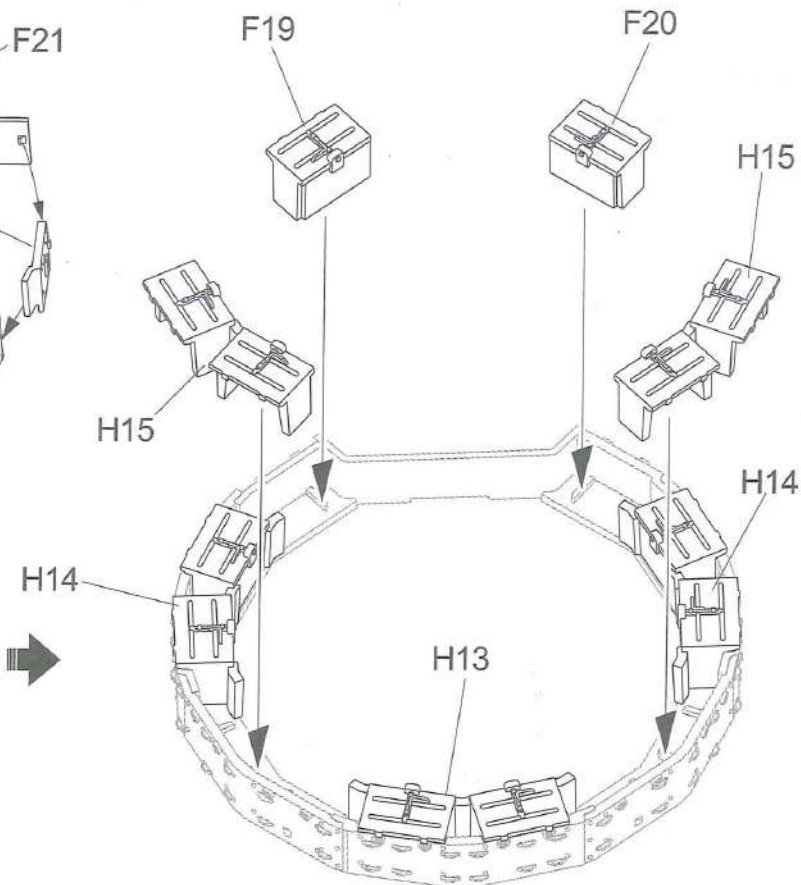
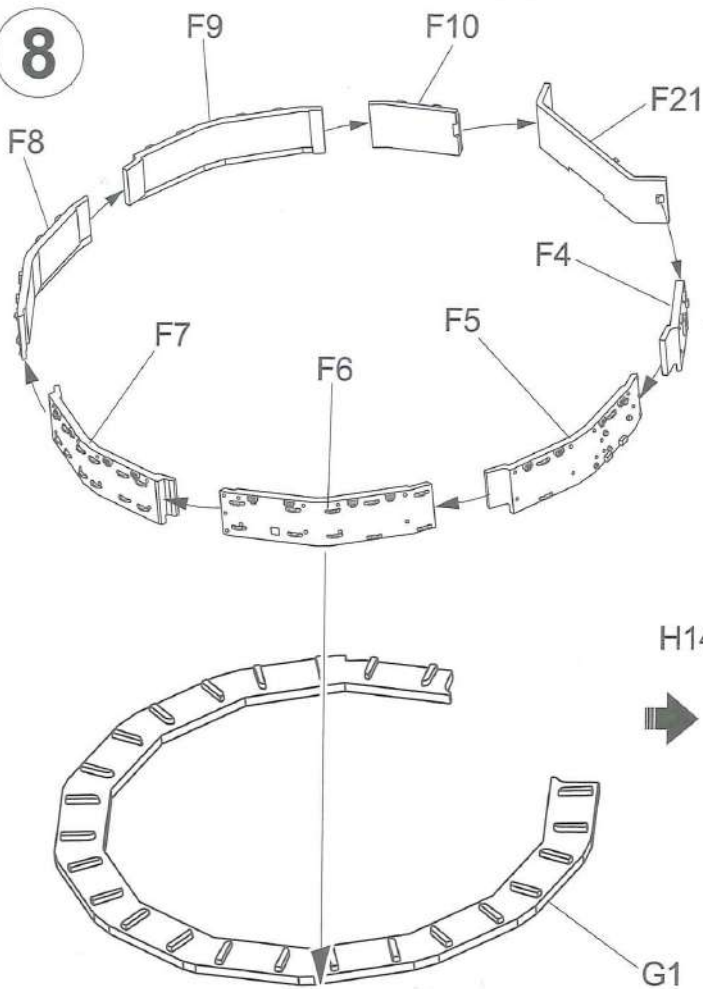
6



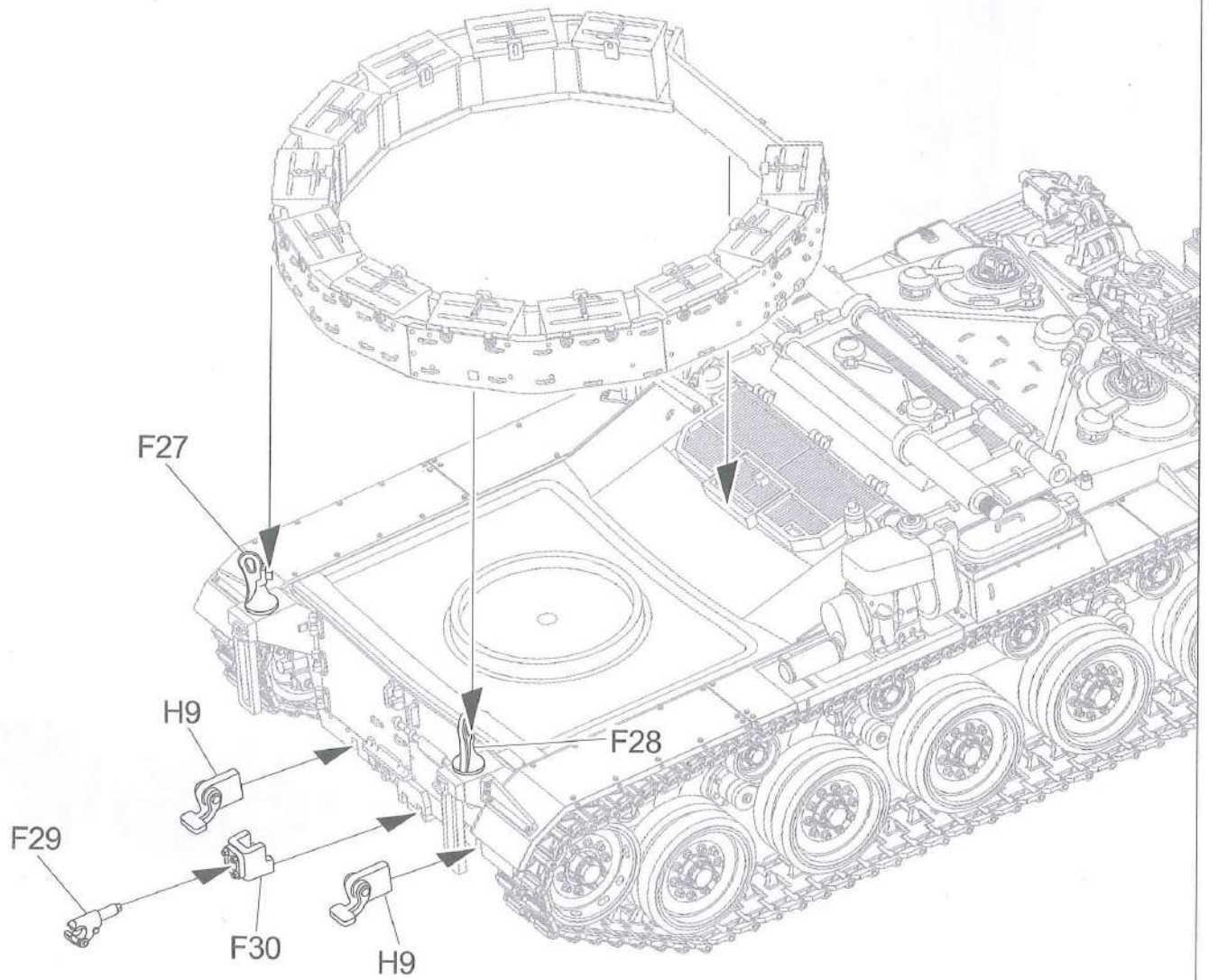
7



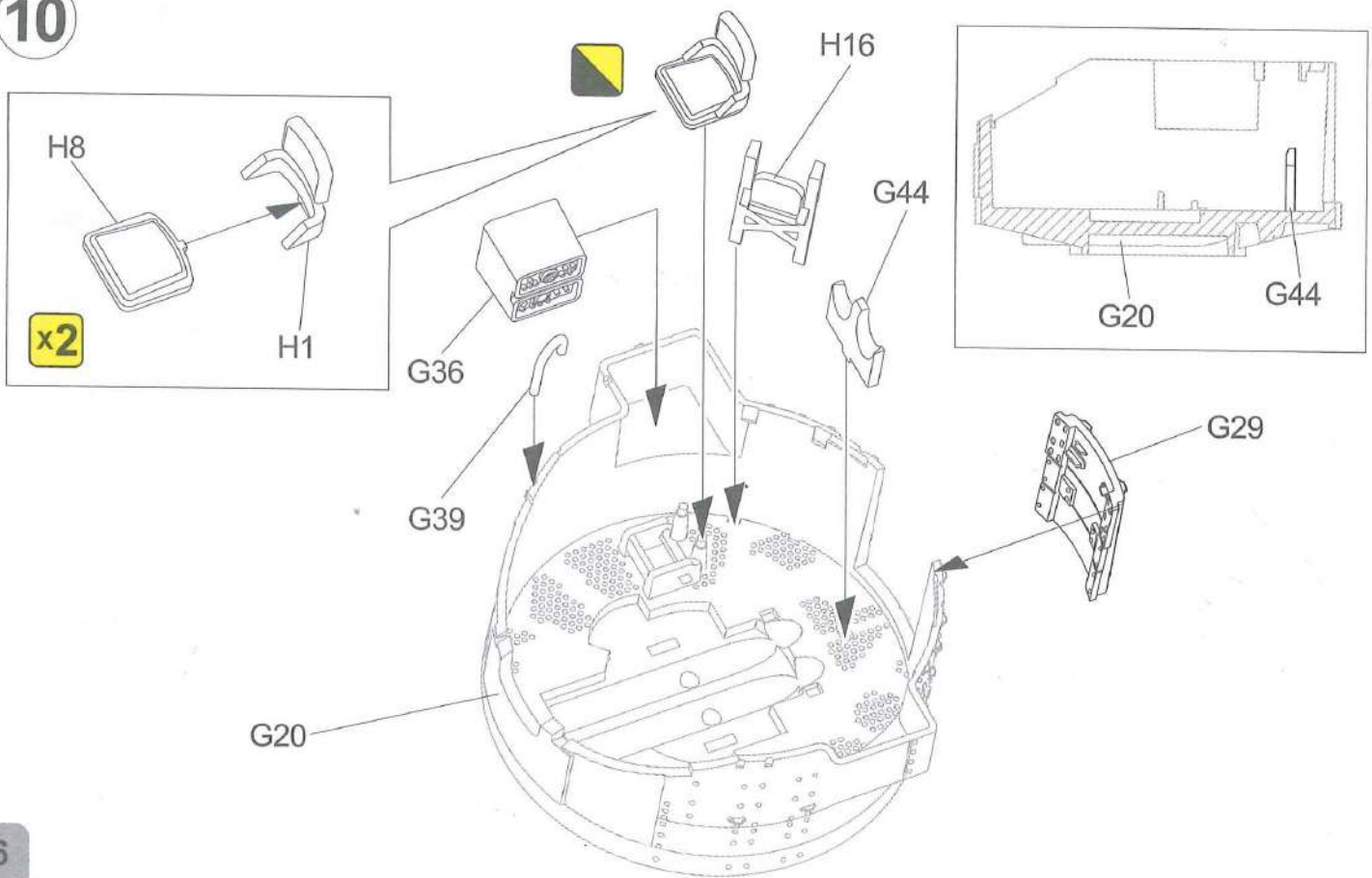
8



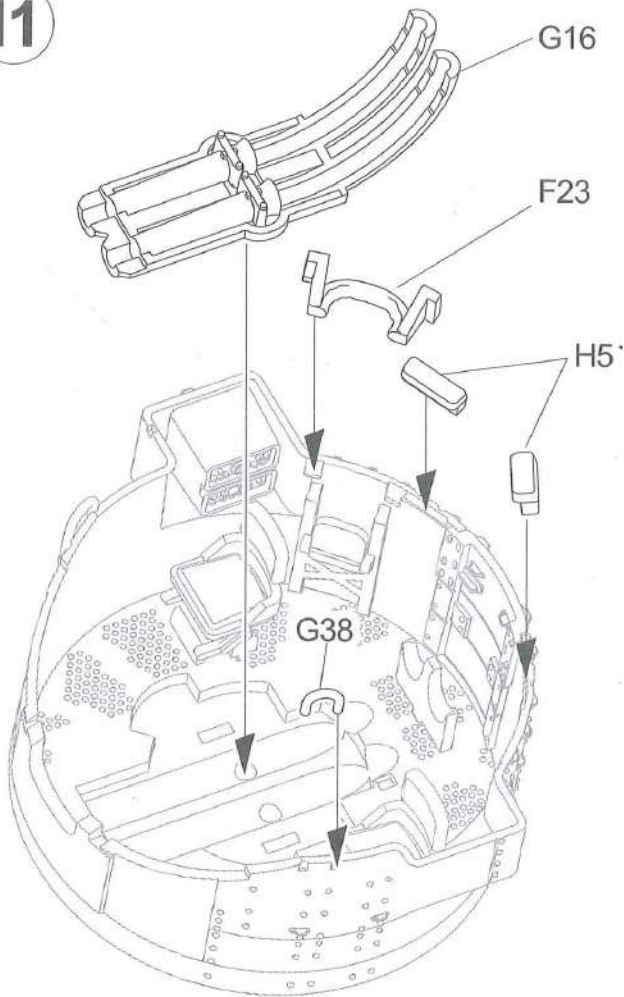
9



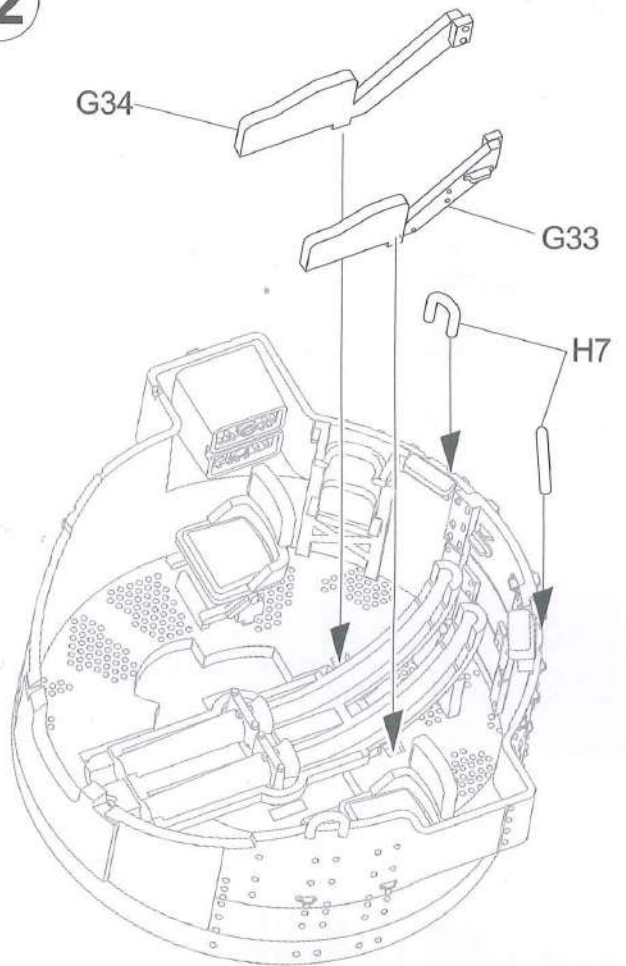
10



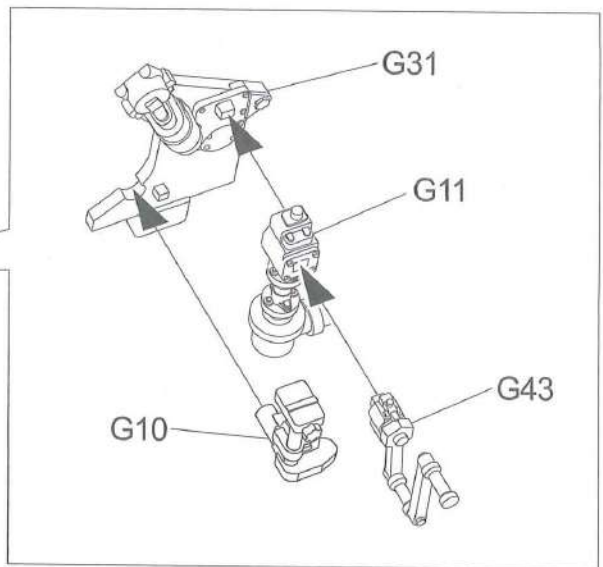
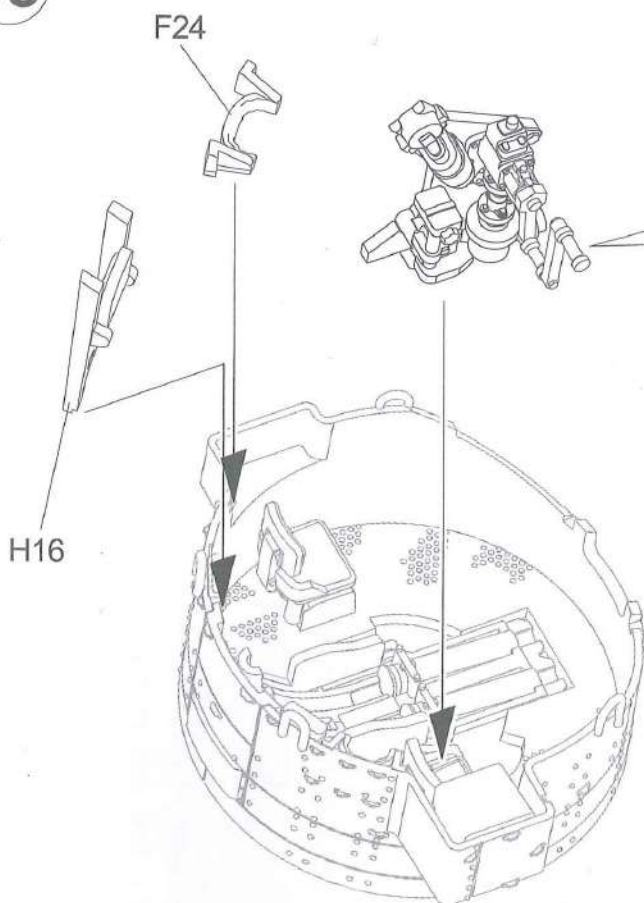
11



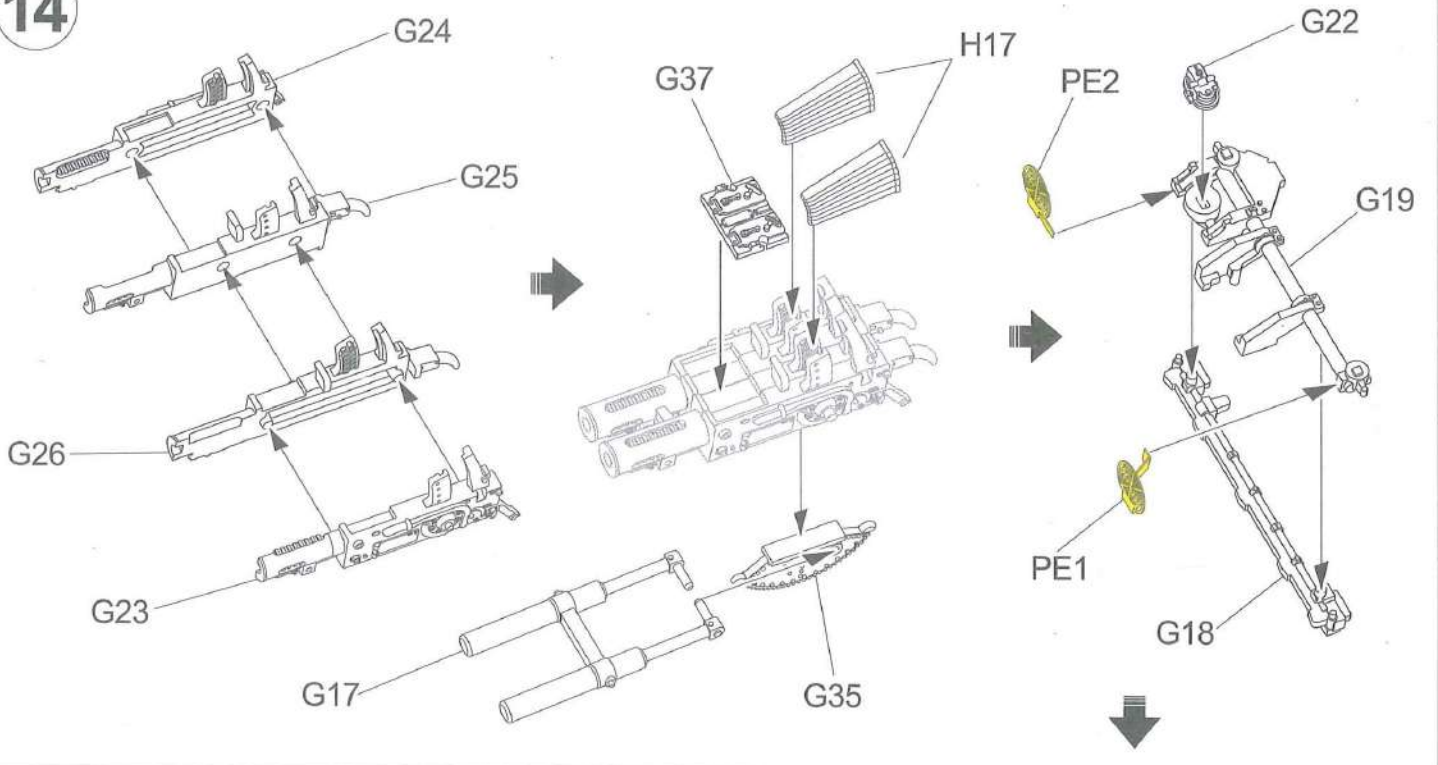
12



13

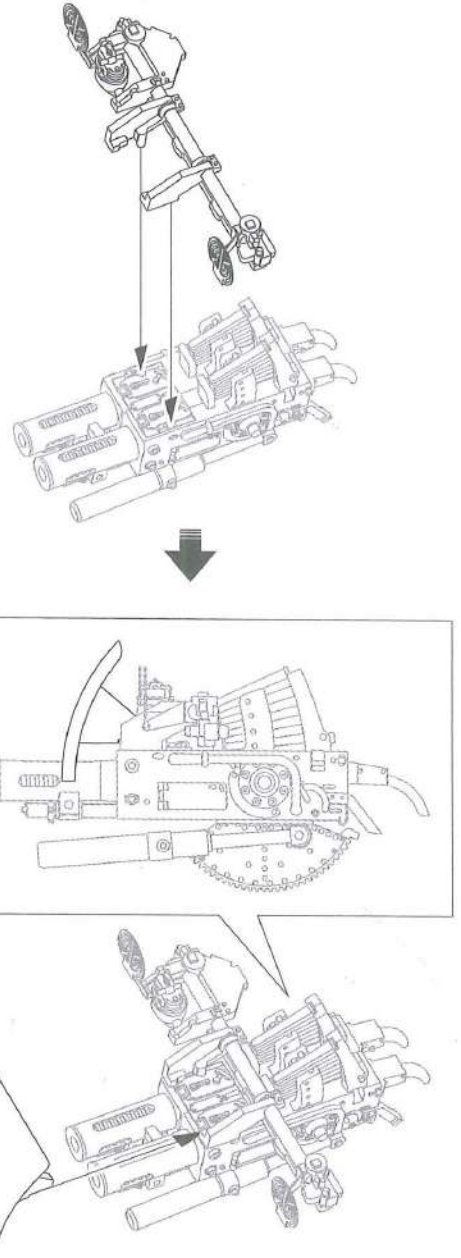
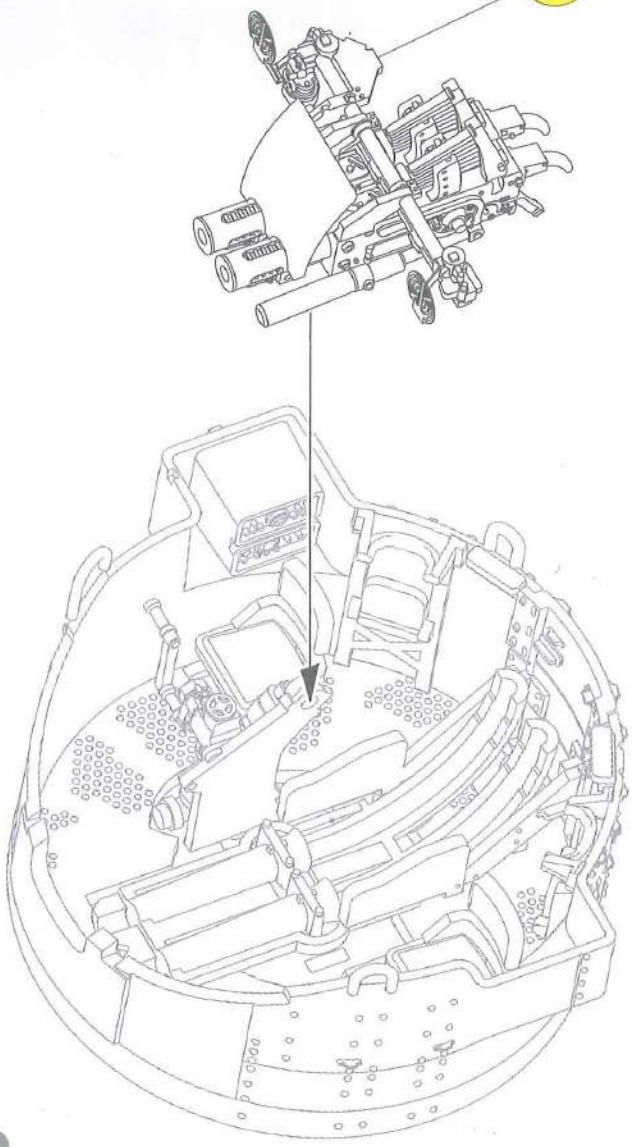


14

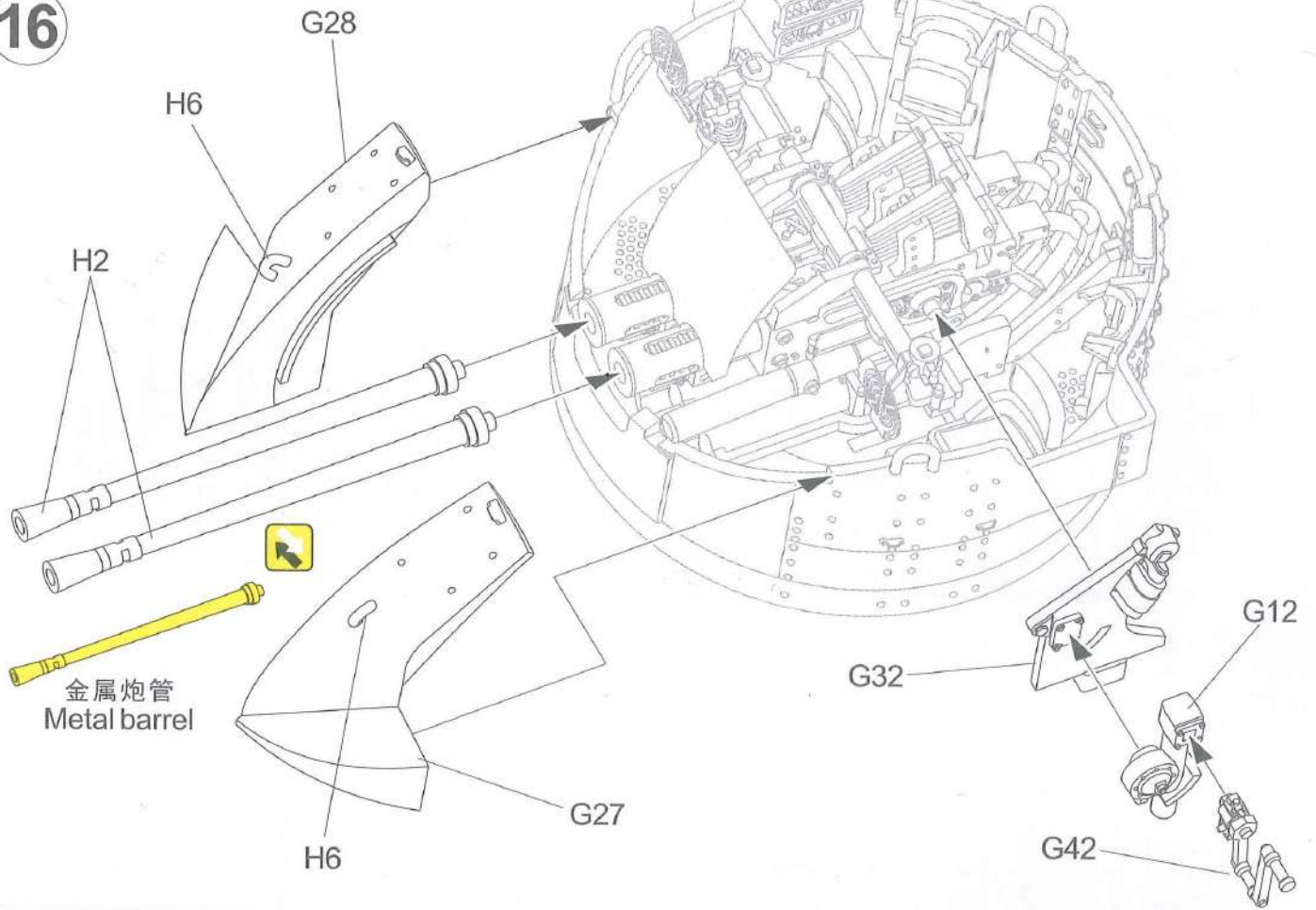


15

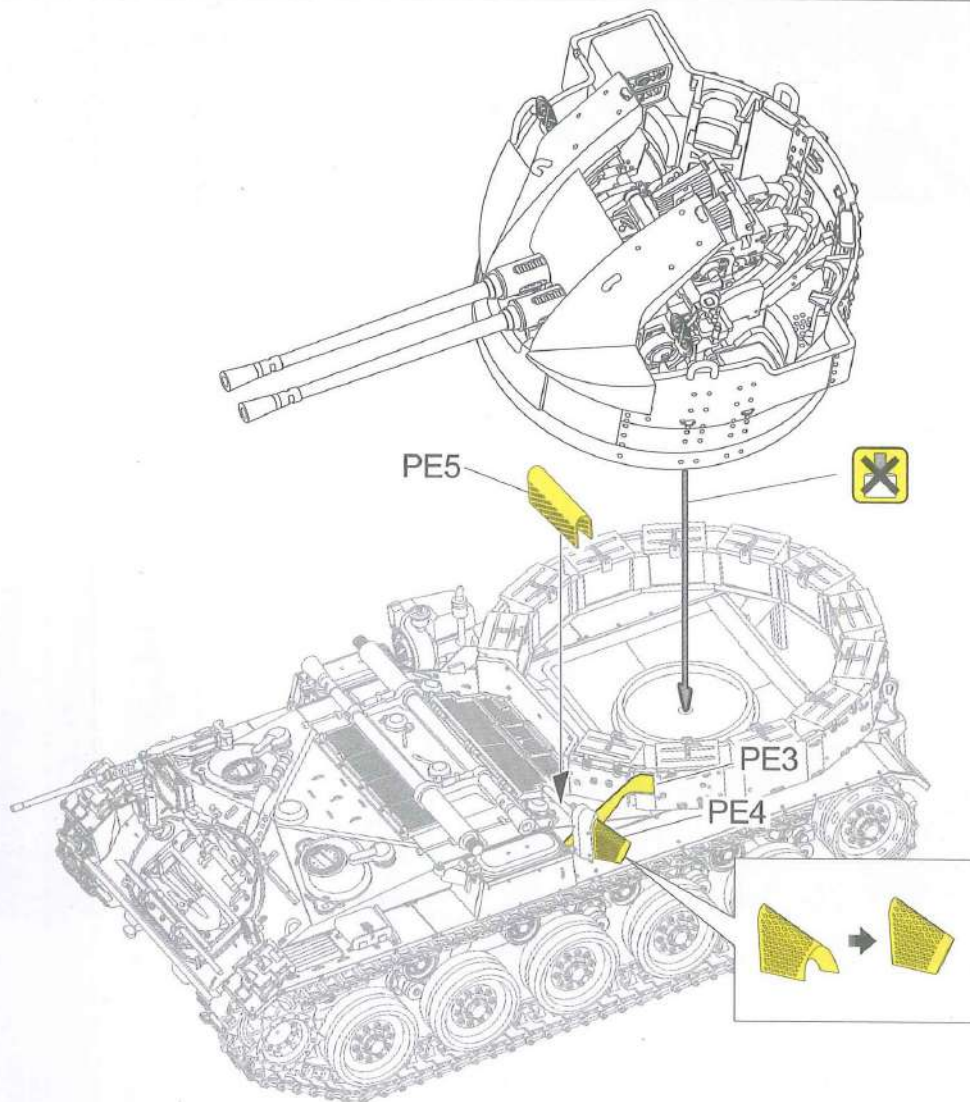
14



16

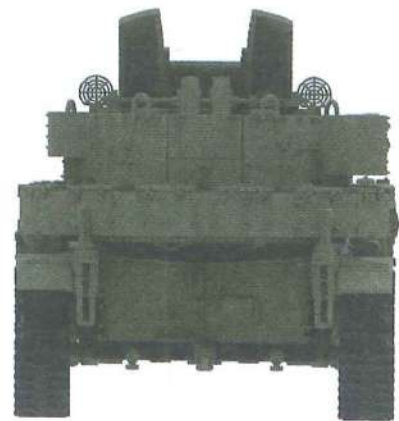
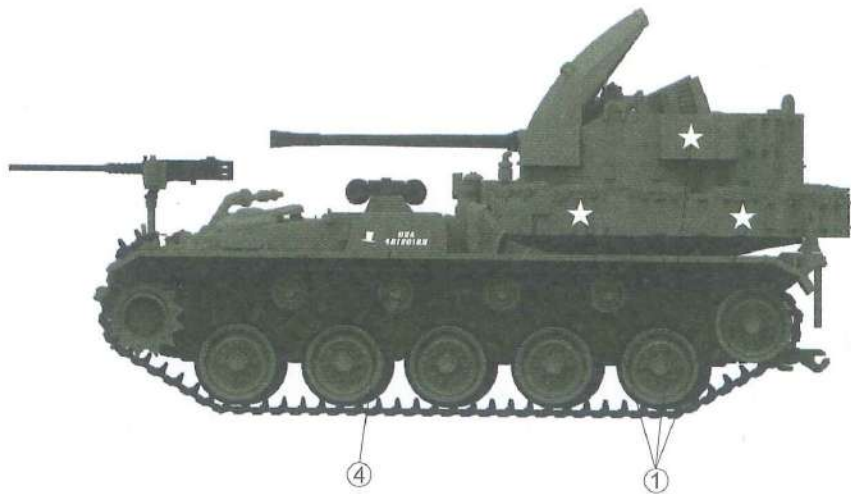


17

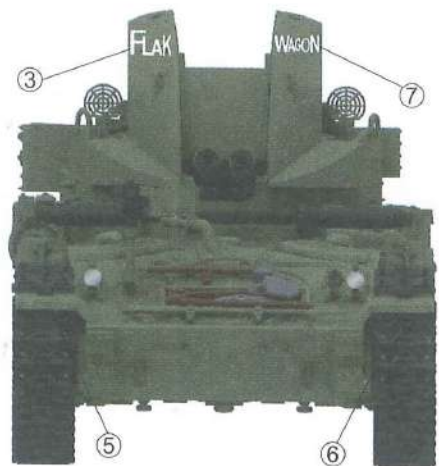


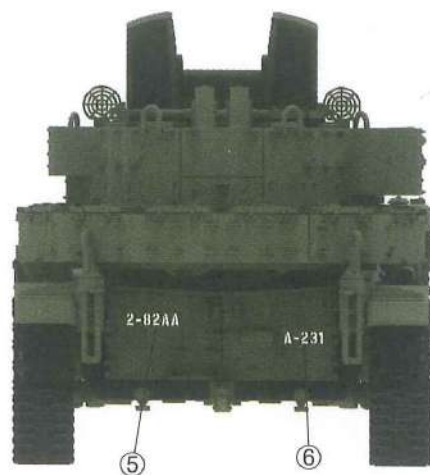
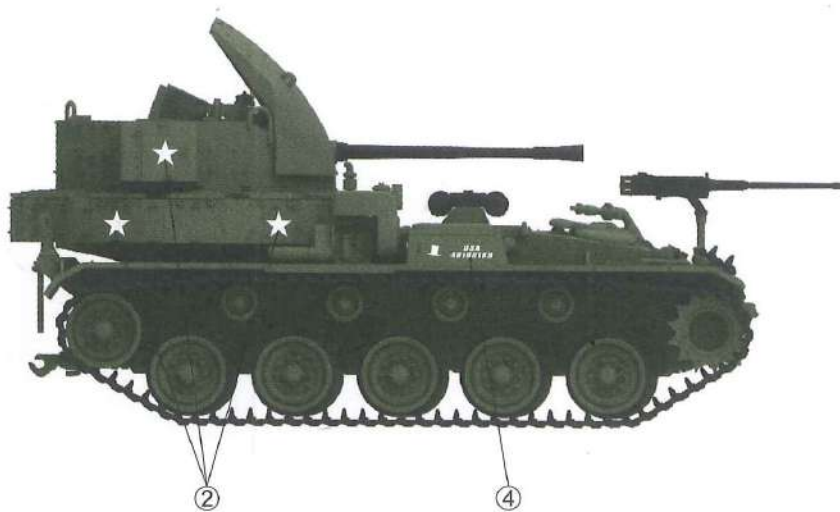
Markings

15th Antiaircraft Artillery Battalion, Yumok Chong near the 38th Parallel in late May 1951
 1951年5月下旬，第15高射炮营三八线附近



82nd Anti-aircraft, 37th Field Artillery, 2nd Infantry Division, the Winter of 1950-1951
 1950-1951年冬季战争期间，第2步兵师37师属炮兵团82高射炮营





Print

Color	GSI	TAMIYA	Vaiiejo
深绿褐色 olive drab	N-78 C38	XF-58	70.967

FOREART