

MRZR D4 Ultralight Tactical All-Terrain Vehicle

M R Z R D 4 超 轻 型 全 地 形 车

1/35
SCALE

2005

DUAL COMBO

MRZR D4 超轻型全地形车
MRZR D4 Ultralight Tactical All-Terrain Vehicle

美军特种作战司令部订购的MRZR 2和MRZR 4超轻型全地形车于2013年开始交付，而后的使用证明，这种车型是一种非常成功的设计。除了能满足特种部队的作战需求外，常规部队在日常的勤务中也非常需要这样一种小型的、机动型、多功能的全地形车。在充分采纳用户改进意见和使用习惯后结合市面民用型RZR成熟技术应用的基础上，针对全球范围内盟友军队的需求，推出了改进型的北极星双座款MRZR D2和四座款MRZR D4超轻型全地形车。

MRZR D4是一款超轻型全地形车，D4为四座版本。全车重952公斤，有效载荷为680公斤。动力装置为一台排量为993CC的四冲程SOHC三缸涡轮增压柴油发动机。使用一台CVT全自动变速箱，最大时速为100KM/H。前悬挂采用多连杆样式独立悬挂系统，后悬挂采用拖曳臂样式独立悬挂系统。整车采用高强度可折叠的防滚架包裹。保证减重设计的同时又能兼顾整车的结构强度。

MRZR D4较小的尺寸和重量赋予其强大便捷的前沿部署能力，能兼容美军及其盟友全球前沿部署的所有运输系统。除开自身敏捷的速度和自力往前沿移动外，常见的运输方式可由CH53直接内部装载或吊运部署，折叠防滚架后可由MV-22直接内部装载运输。美国海军陆战队可以采用LCAC气垫运输艇或AAVP两栖装甲车内部直接装载。堪称上天，入地，下海的多面手。

MRZR D4自身就是一款模块化设计的多功能车辆，在前线通过简易的工具就能完成拆解安装，模块化功能扩展。在特种部队手中，它可以通过加装通用机枪和班用机枪的组合就能成为一个火力凶猛的火力输出单位，就算遇到敌方的装甲目标，也可以通过货斗携带的大量反坦克导弹进行招架还击。针对目前战争演化为无人机技术占优的一方逐渐主宰战场单方面屠杀的严峻形式，MRZR D4通过加装M-SHORAD系统移植的四面相控阵雷达能都有效的探测低小慢无人机目标的骚扰，反无人机型MRZR D4的装备部署能掩护作战部队在接敌前线从容应对敌方巡飞弹，FPV穿越机，无人侦察机的恫吓。MRZR D4作为一款全地形的多功能车辆目前已经出现多种衍生车型，涵盖医疗救护，通讯中继，电磁干扰，巡飞弹发射，激光杀伤，探测侦察各个模块。

MRZR D4超轻型全地形车因其强大性能被全球用户所认可。目前已经大量装备美军各个军种及全球三十多个国家和地区。

The deliveries of MRZR 2 and MRZR 4 ultralight tactical all-terrain vehicles ordered by USSOCOM commenced in 2013. The usage and services of these vehicles proved that the design of such type of vehicles was a great success subsequently. Besides satisfying demands of special operation forces, this type of small, mobile and versatile all terrain off-road vehicles were sought by conventional forces for daily service and operations as well. After collecting information on user habits and improving opinions, Polaris launched upgraded two-seat MRZR D2 and four-seat MRZR D4 ultralight all terrain off-road vehicles in response to demands of allied forces worldwide based on current mature technology of civilian RZR vehicles.

MRZR D4 is a four-seat ultralight tactical all-terrain vehicle with a curb weight about 952kg and a payload capacity about 680kg. The vehicles is equipped with a 4-stroke SOHC three cylinder turbo diesel engine and an automatic CVT with a max. speed of 100km/h. It applies an independent dual a-arm front suspension and an independent trailing arm rear suspension. There are foldable anti-roll bars of high strength that protect the crew in case the vehicle rolls over. Their overall design makes them strong and light.

The small size and light weight of MRZR D4s make the vehicles very agile and mobile to be deployed in forward areas and mated to all transportation systems of US and allied forces in those areas. The vehicles can drive to forward areas by a high speed and durability. They can also be airlifted internally by CH53 helicopters or V-22 Osprey tiltrotors transport with anti-roll bars of the vehicle being folded down prior to airlifting. The USMC can transport them by LCACs or AAAP amphibious vehicles internally directly. They are multi-transportable vehicles by air, by land and by sea.

With its versatile and modular design, MRZR D4 can be quickly customized and re-configured for different purposes by simple tools. The vehicles can be armed to a strong firing unit by equipping general machine guns and squad machine guns. The Special Operation Force can carry out fast attack with the lot of anti-tank missiles carried by the rear cargo trailer when encountering enemy tanks. In response to current severe situation where parties with superior drone technology gradually dominate the battlefield for unilateral slaughter, MRZR D4 was upgraded to an anti-drone variant by equipping a M-SHORAD system with 4 MHRs which can detect small drones flying by low altitude and speed effectively. The deployment of anti-drone MRZR D4s helps forces to handle threats from enemy patrol missiles, FPV traversing aircraft and unmanned reconnaissance aircraft easily at front lines. The versatile all-terrain vehicles MRZR D4s have been re-configured to many variants with different modules including medical rescue, communication relay, electromagnetic interference, missile launch, laser killing, detection and reconnaissance modules.

MRZR D4 ultralight all-terrain vehicles are recognized by worldwide users by their super performance. They are deployed to variant US forces, over 30 countries and regions around the world in large numbers.

制作前请仔细阅读以下内容
Read carefully before assembly

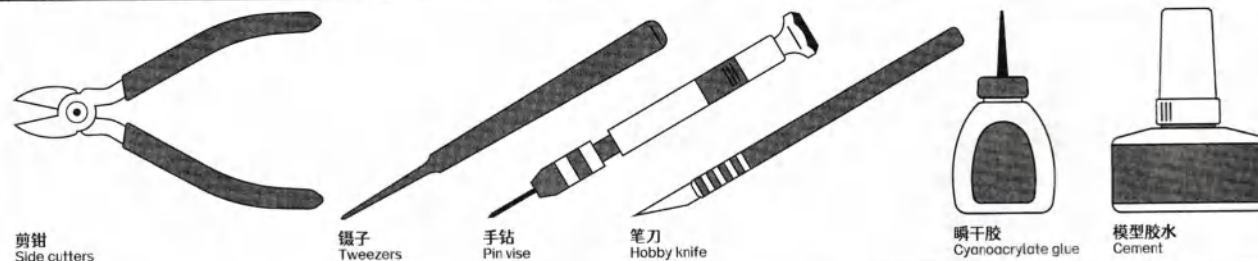
注意

- 本模型适合的最小年龄为14周岁，14周岁以下制作时应当有家长陪同。
- 请勿吞食产品包装中的物品，包括且不限于零件、说明书、包装袋等。
- 将零件取出后应立即丢弃包装袋，请勿将包装袋置于口鼻处或套在头上，以免引起窒息。
- 请勿将本产品置于明火或者高温源附近。

Caution

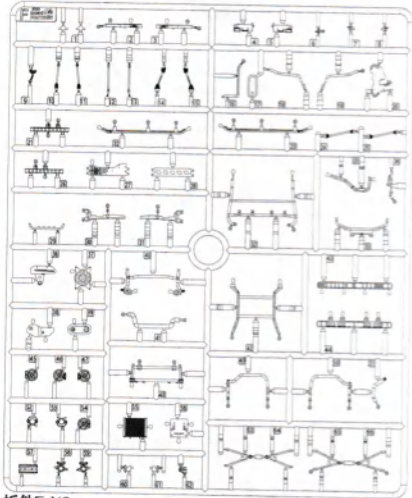
- This model kit is for user aged 14 or above. User under 14 should be accompanied by parents when building this kit.
- Don't swallow any items in the package, including but not limited to parts, stickers, manual and vinyl bags.
- Please throw the vinyl bags away once you unpacked parts. Don't put the bags onto mouth, nose or over the head to avoid suffocation.
- Keep this product away from fire or high temperature source.

使用工具
Tools recommended

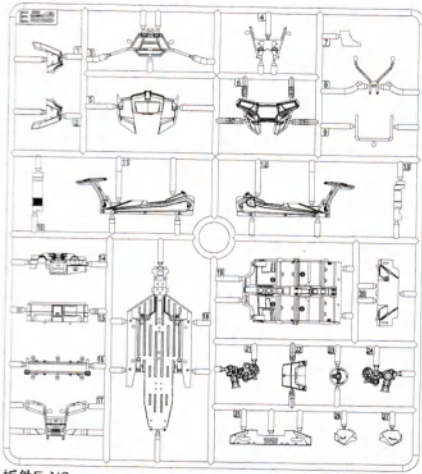


图标说明
Icon

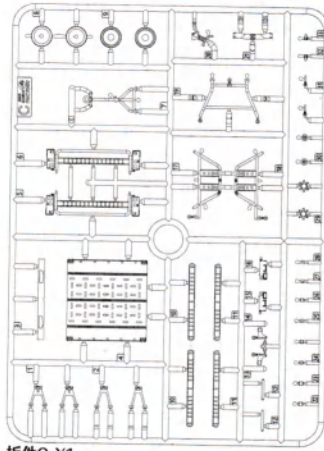




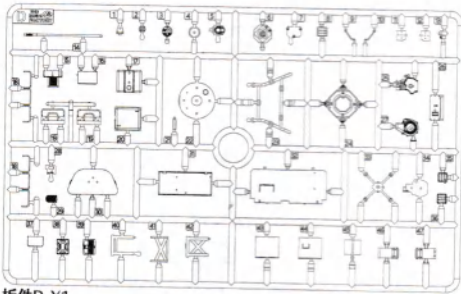
板件F X2
Parts F X2



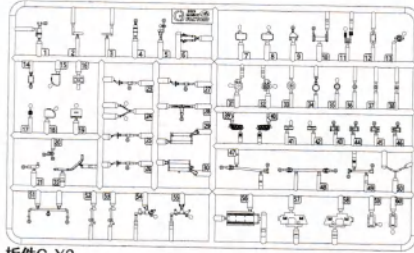
板件E X2
Parts E X2



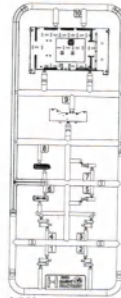
板件C X1
Parts C X1



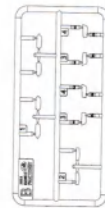
板件D X1
Parts D X1



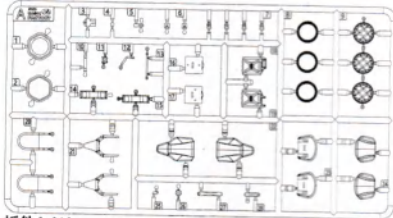
板件G X2
Parts G X2



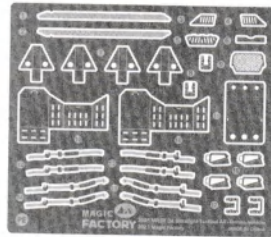
板件H X2
Parts H X2



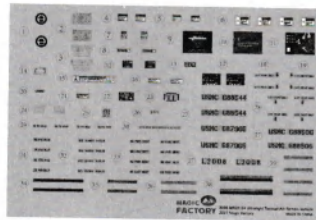
板件B X1
Parts B X1



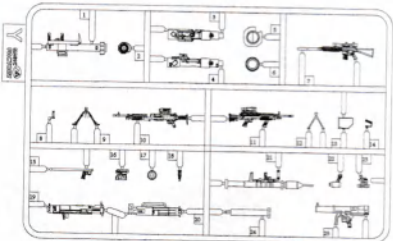
板件A X4
Parts A X4



PE X2
PE X2



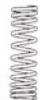
水贴 X1
Decal X1



板件Y X2
Parts Y X2



镜面贴纸 X1
reflective foil X1



弹簧样式B X4
Spring B X4



弹簧样式A X6
Spring A X6



轮胎样式B X2
Tire B X2



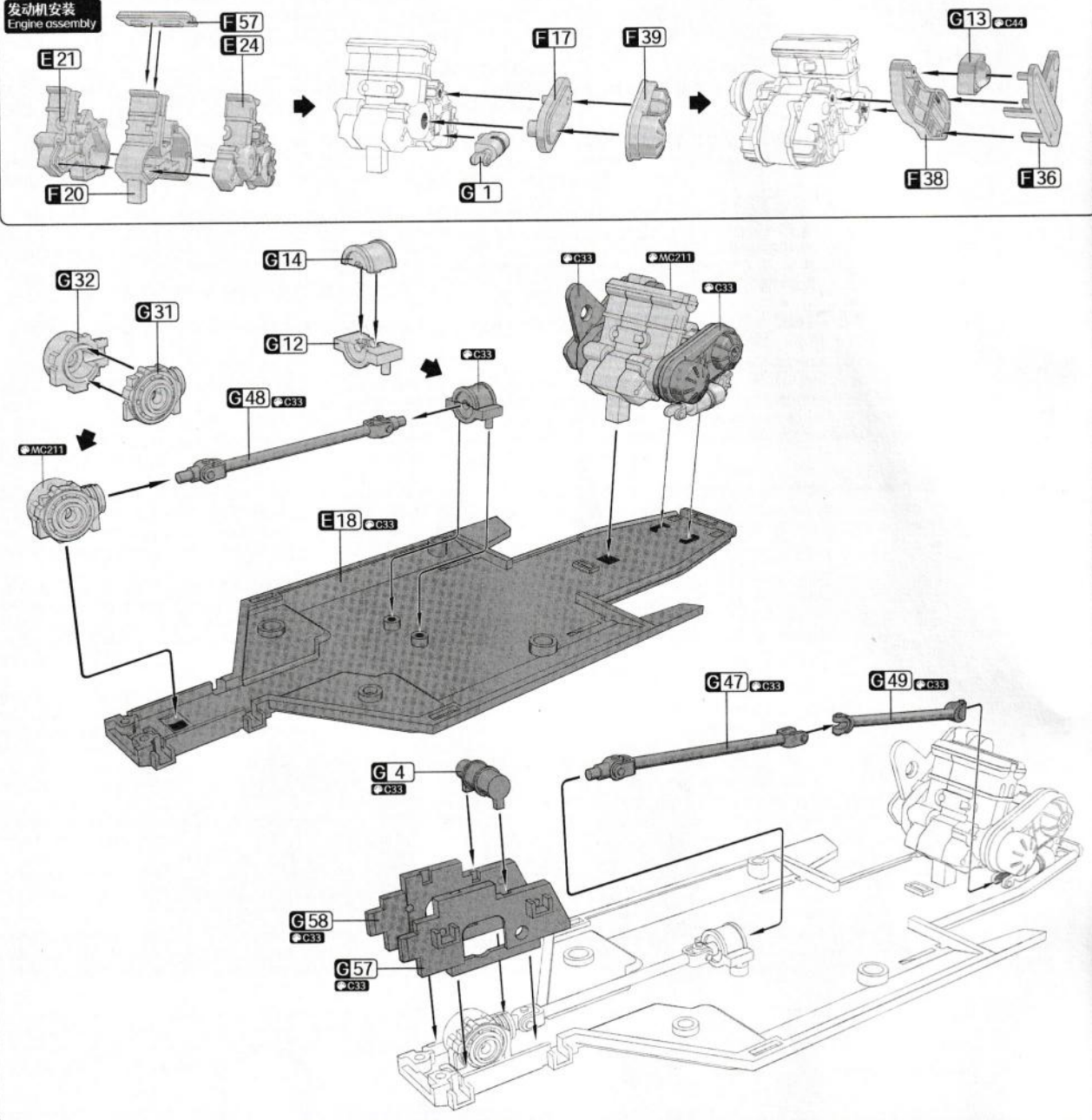
轮胎样式A X10
Tire A X10

色表
Color Reference

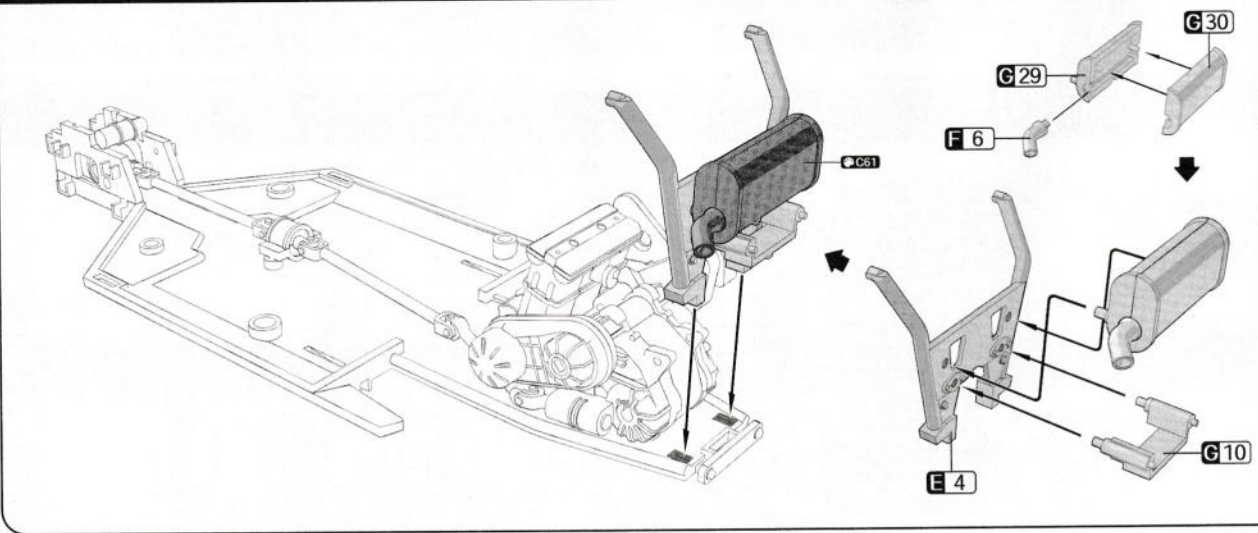
		AK	Mr.Color	TAMIYA	
	砂黄	Military Tan	RC079	C44	XF-57
	亚光黑	Flat Black	RC001	C33	XF-1
	浅灰蓝	Light Ghost Grey	RC252	C308	AS-26
	半光泽绿	Semi-gloss Green	RC012	C312	XF-5
	美军绿	Nato Green	RC083	C303	XF-67
	橡胶黑	Tire Black	RC022	C137	XF-85
	金属银	Chrome Silver	-	MC211	X-11
	橄榄褐	Olive Drab	RC026	C304	XF-62
	黄棕色	Earth Yellow	RC030	C321	AS-15
	透明红	Clear Red	RC503	C47	X-27
	枪铁色	Gun Metal	RC015	MC214	X-10
	烧铁色	Metallic Burnt Iron	-	C61	XF-84
	金属金	Metallic Gold	-	MC217	X-12

1. 发动机和传动装置安装 Engine & transmission assembly

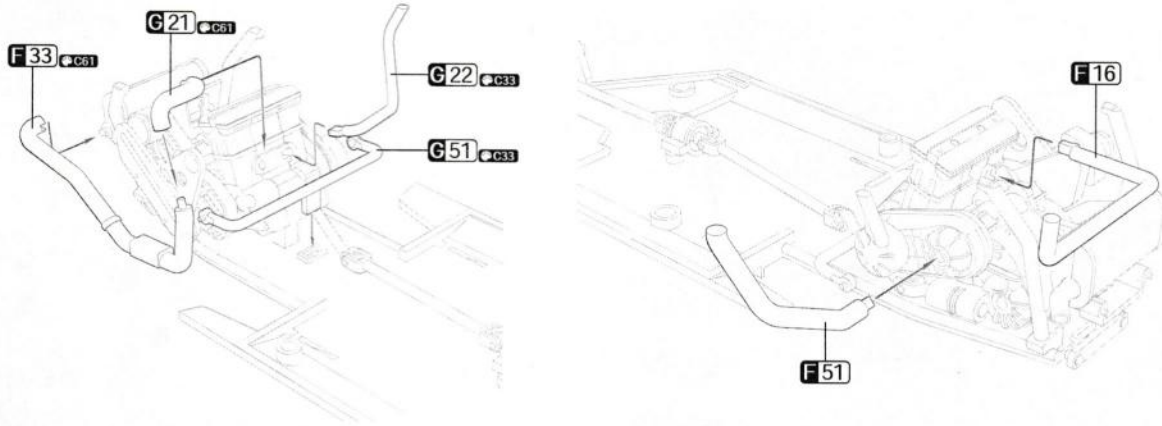
发动机安装
Engine assembly



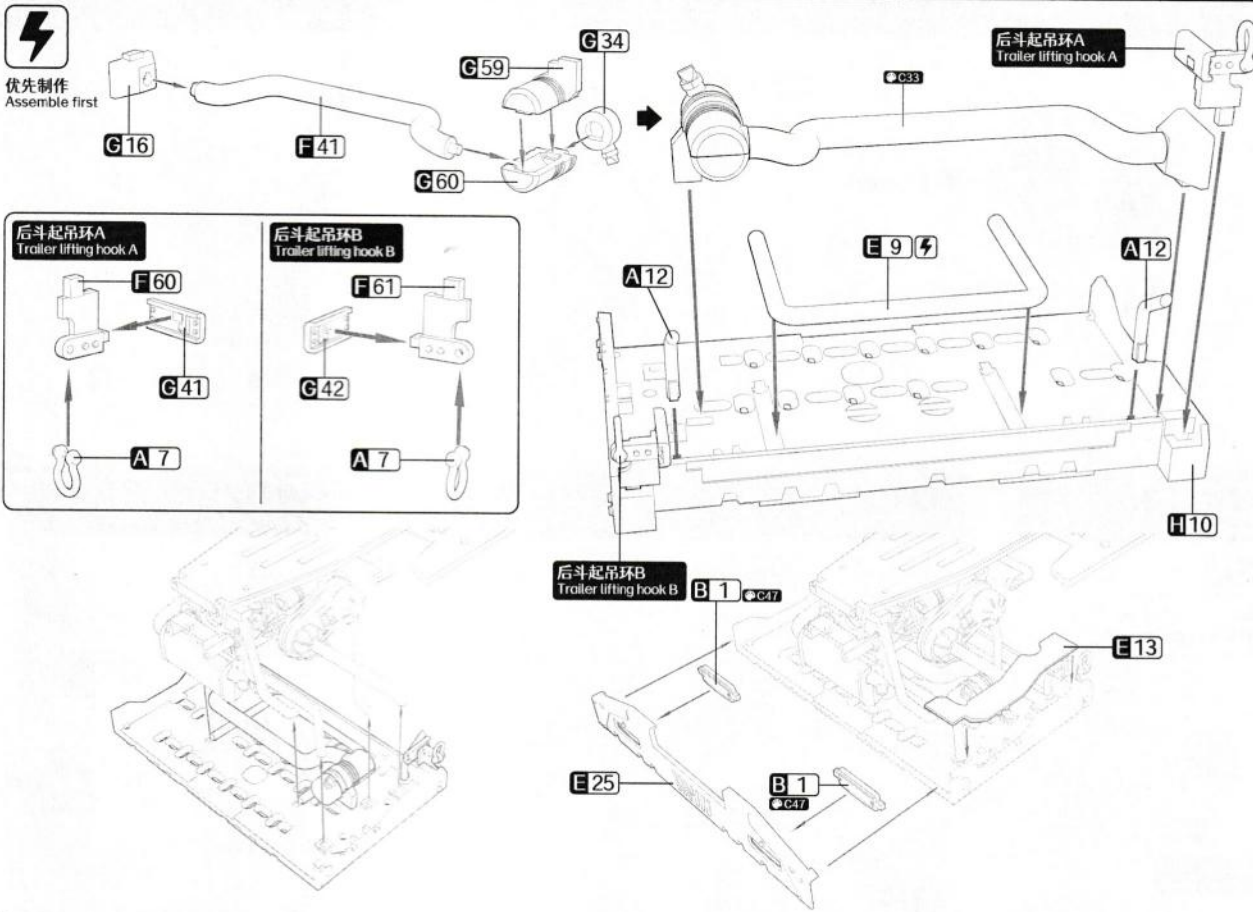
2. 排气管支架安装 Exhaust pipe rack assembly



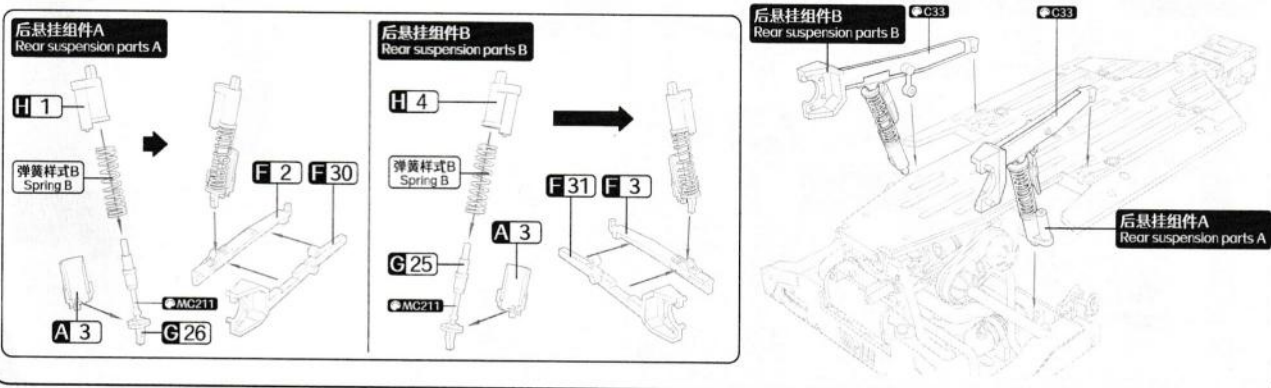
3. 发动机管线安装 Engine pipe assembly



4. 涡轮增压进气管及后斗组件安装 Turbo inlet hose & rear trailer parts assembly



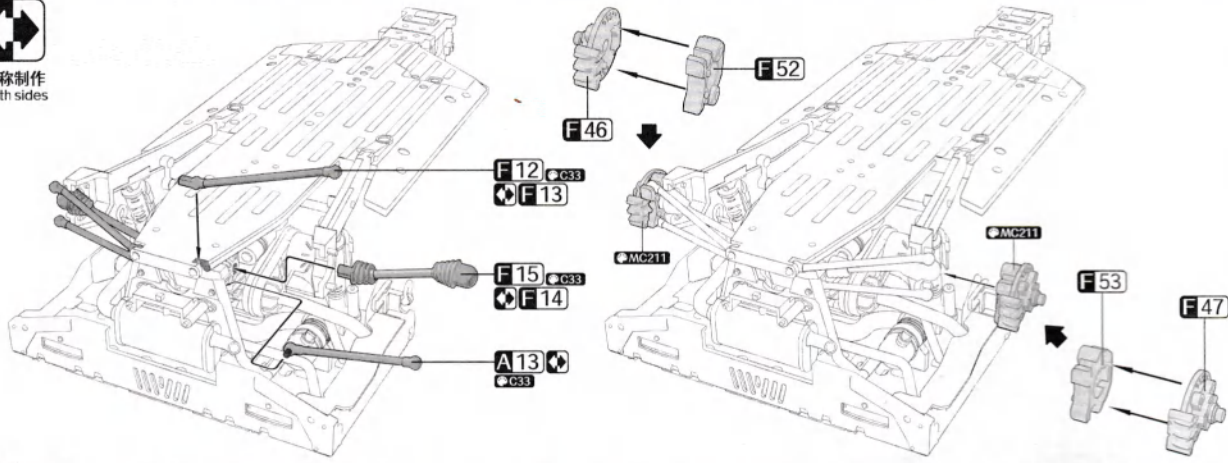
5. 后悬挂组件安装 Rear suspension parts assembly



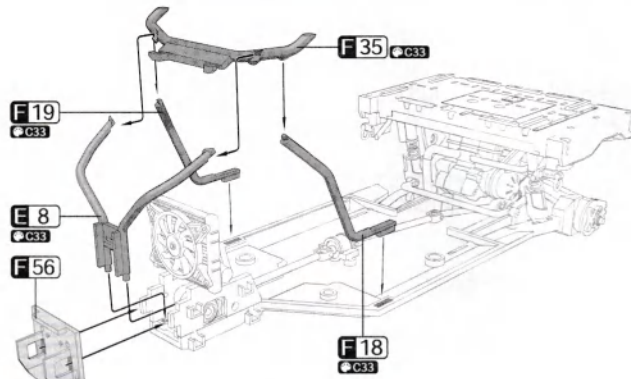
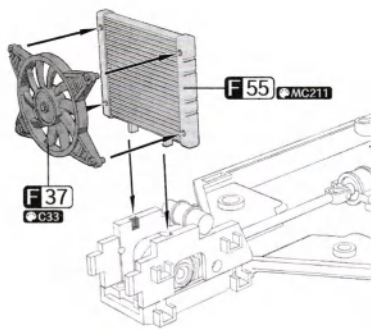
6. 后部半轴及刹车盘组件安装 Rear semi-axis & brake disc parts assembly



对称制作
Both sides



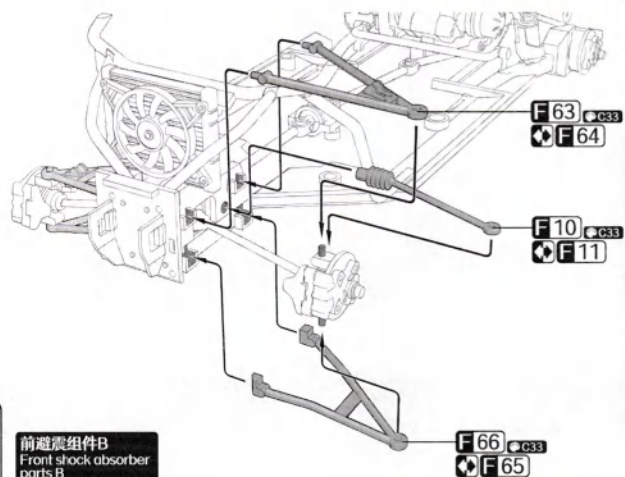
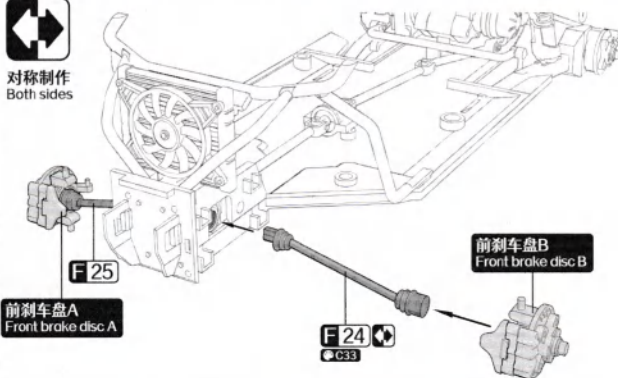
7. 风冷散热器及前部支架安装 Air cooled radiator & front rack assembly



8. 前部悬挂及行走机构安装 Front suspension & running gear assembly



对称制作
Both sides



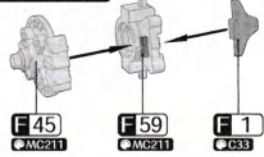
前避震组件A
Front shock absorber parts A



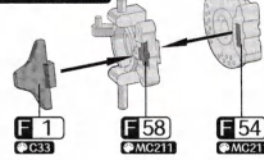
前避震组件B
Front shock absorber parts B



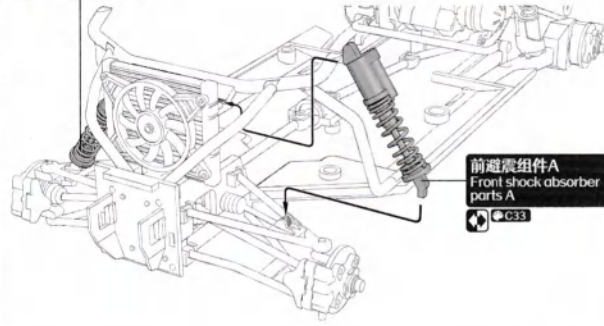
前刹车盘A
Front brake disc A



前刹车盘B
Front brake disc B



前避震组件B
Front shock absorber parts B

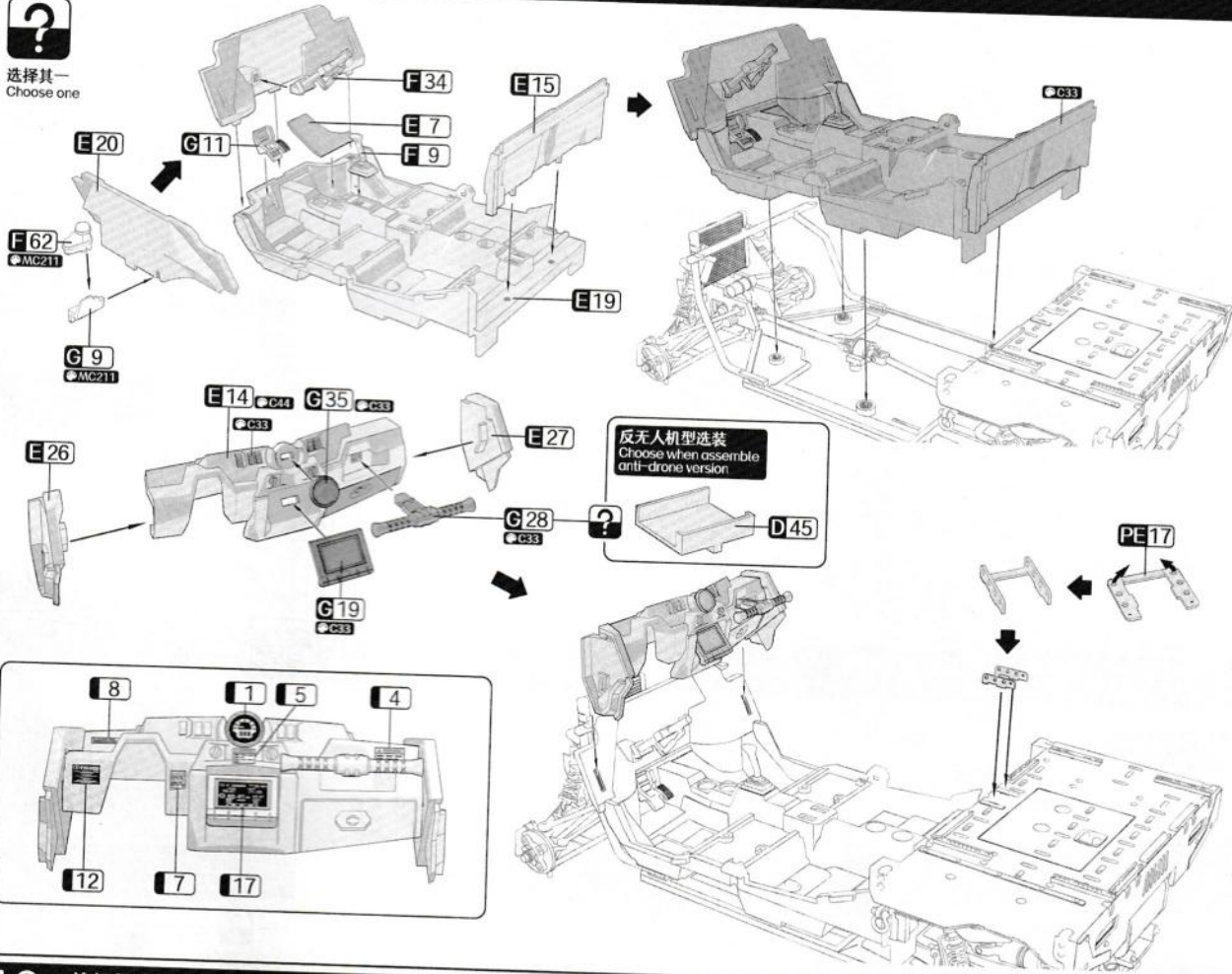


前避震组件A
Front shock absorber parts A

9. 中控台及内饰组件安装 Central control & cab parts assembly



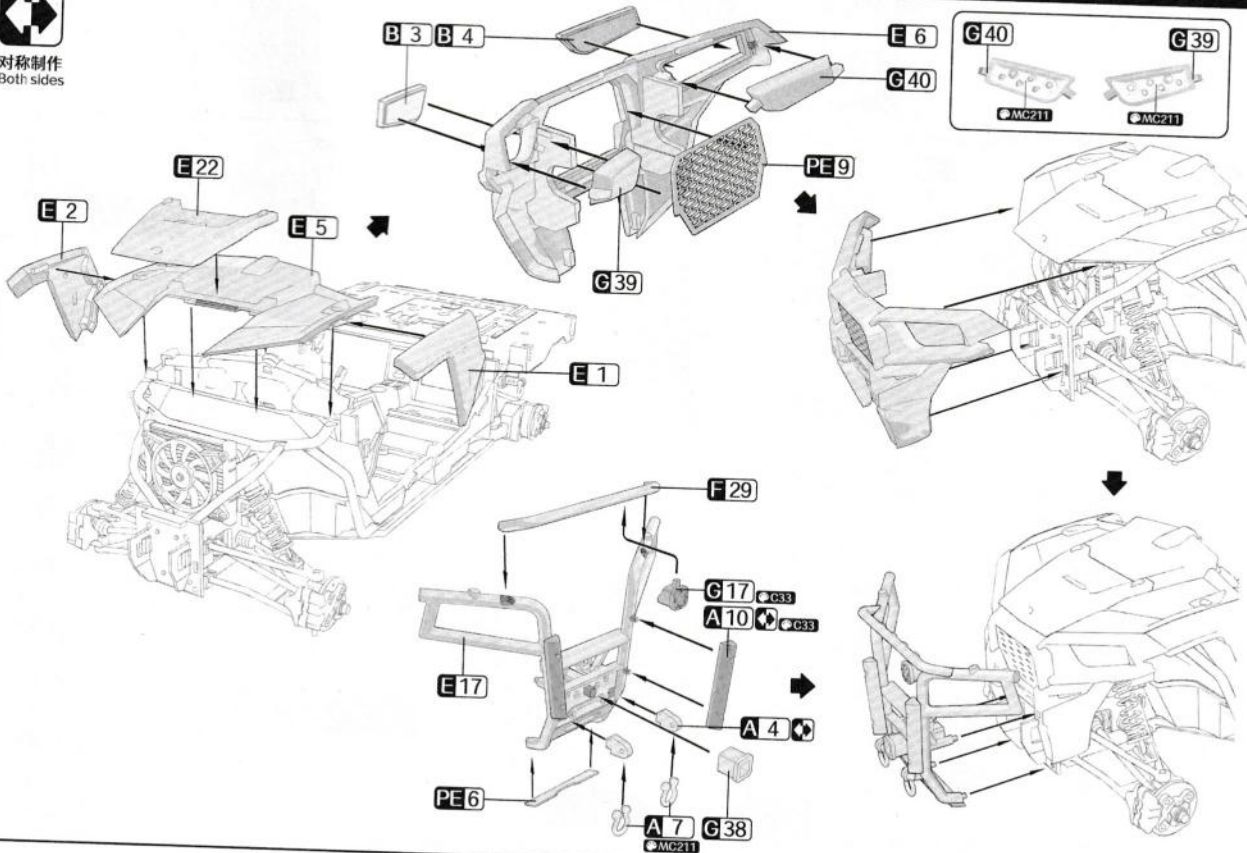
选择其一
Choose one



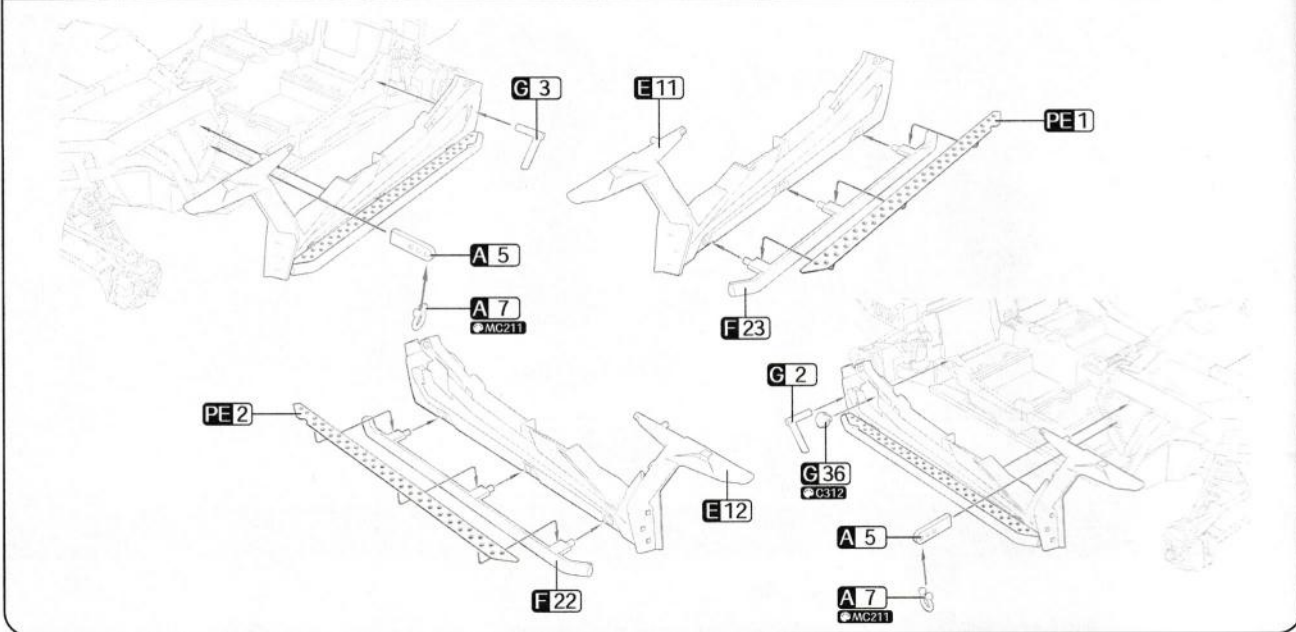
10. 前部保险杠组件安装 Front bumper assembly



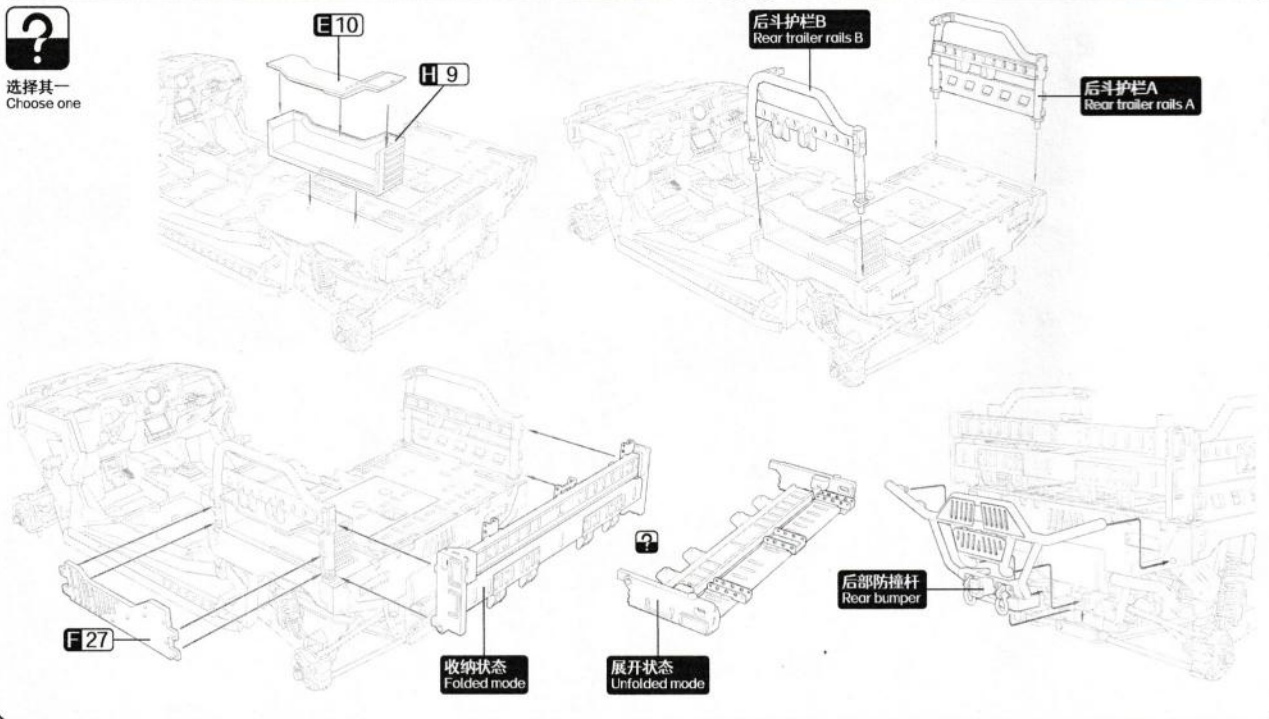
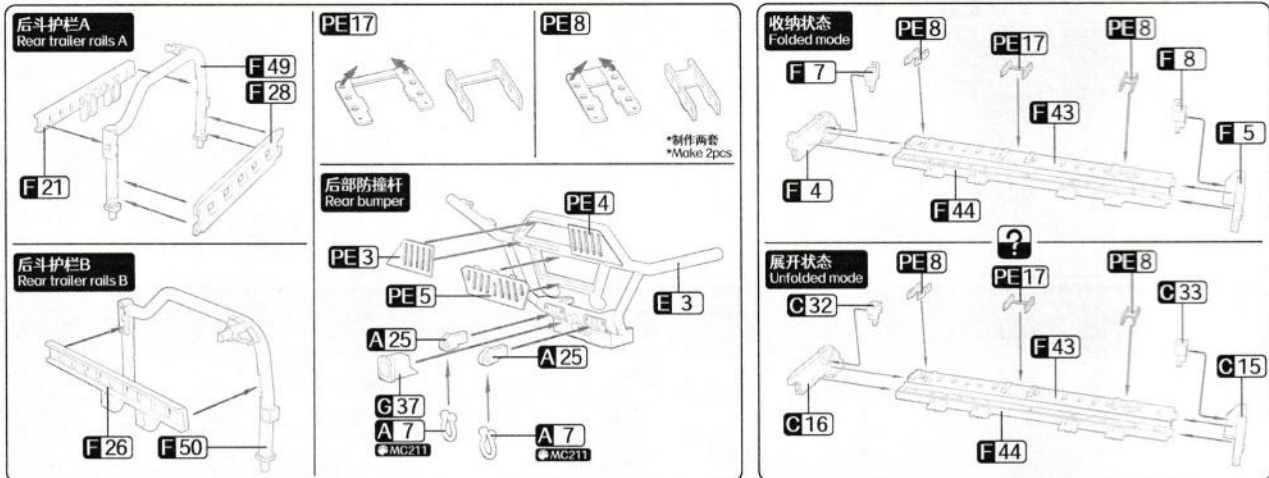
对称制作
Both sides



11. 脚踏板侧杠组件安装 Side step assembly



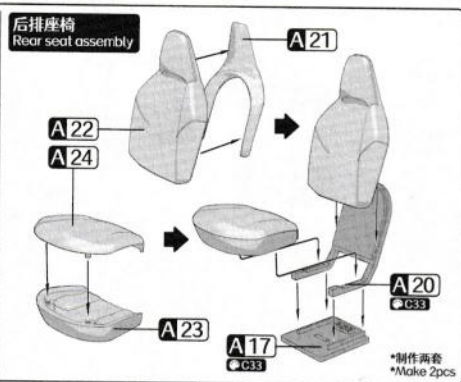
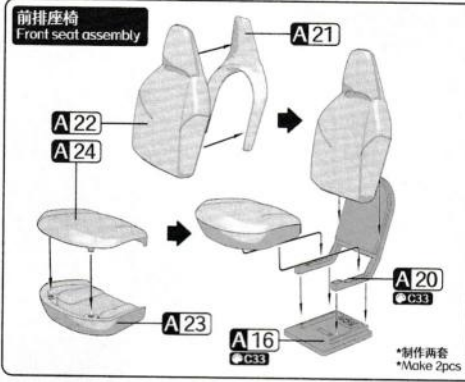
12. 后斗组件安装 Rear trailer assembly



13. 座椅安装 Seat assembly

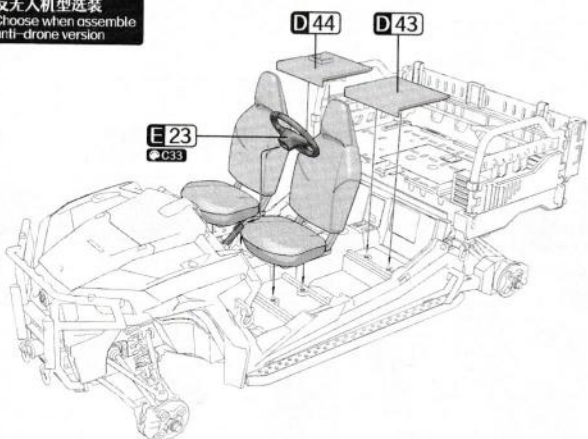
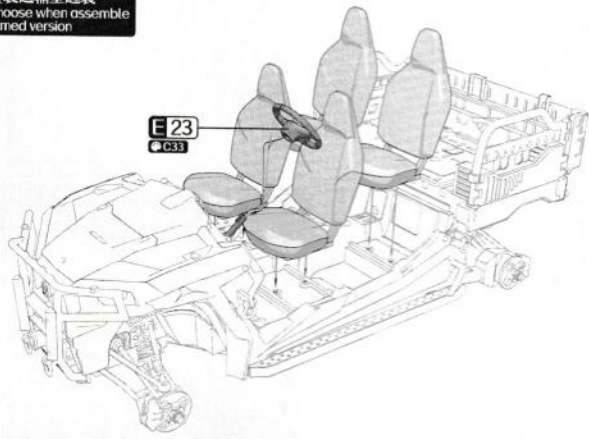


选择其一
Choose one

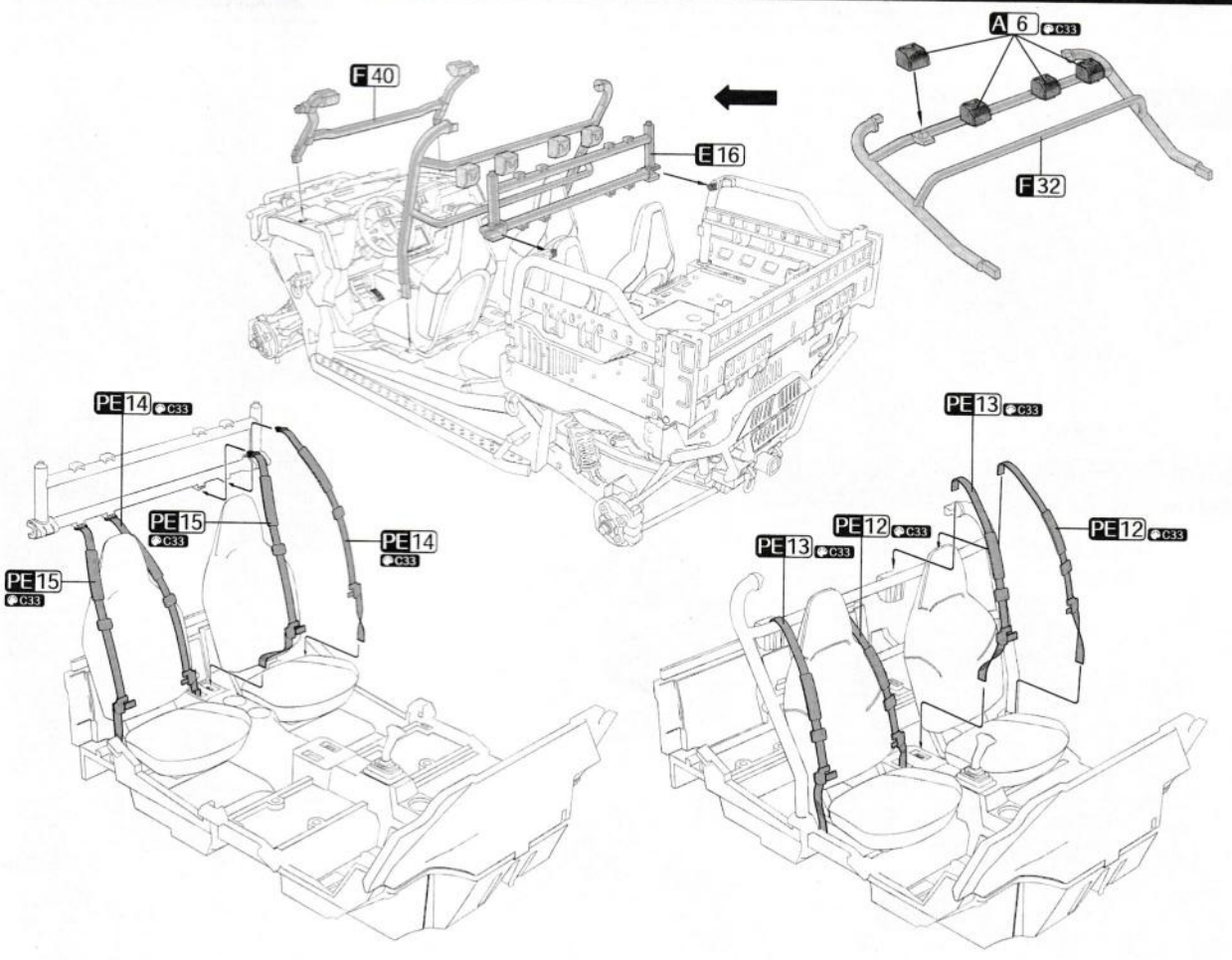


武装运输型选装
Choose when assemble
armed version

反无人机型选装
Choose when assemble
anti-drone version



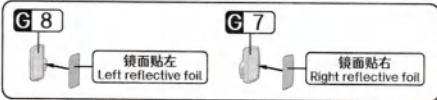
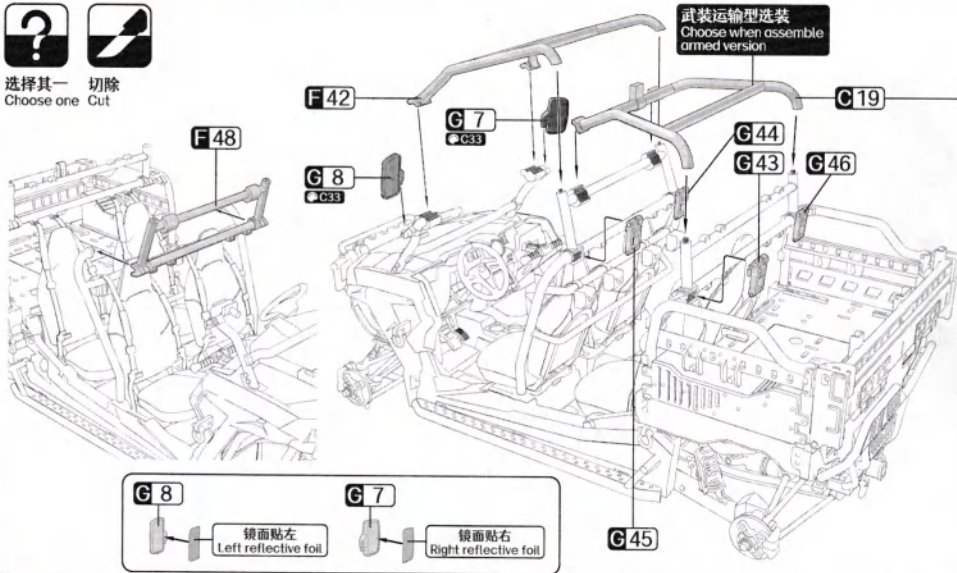
14. 防滚架及安全带安装 Anti-roll bar & seatbelt assembly



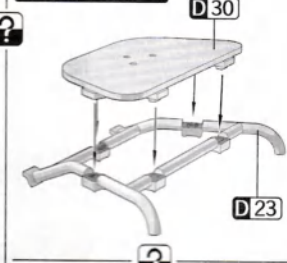
15. 车顶防滚架组件安装 Roof anti-roll bar assembly



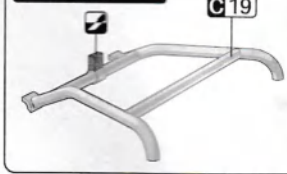
选择其一 切除
Choose one Cut



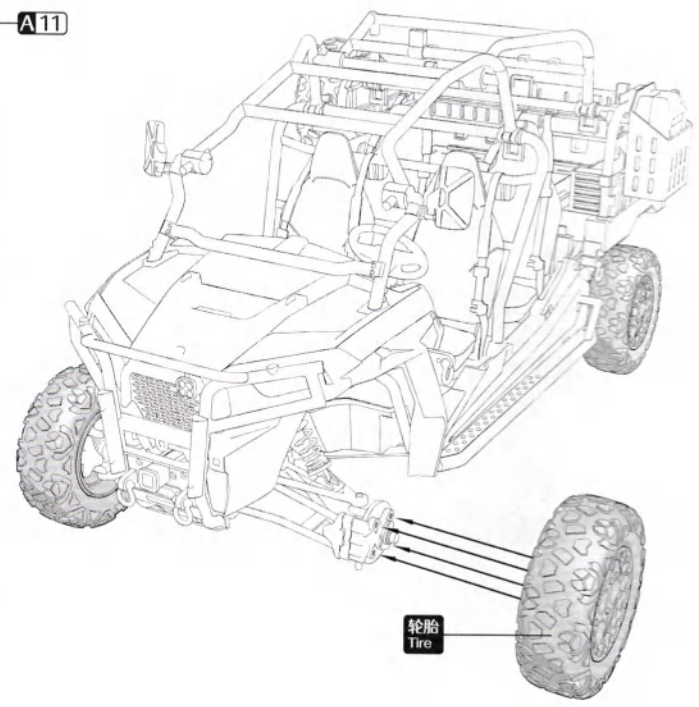
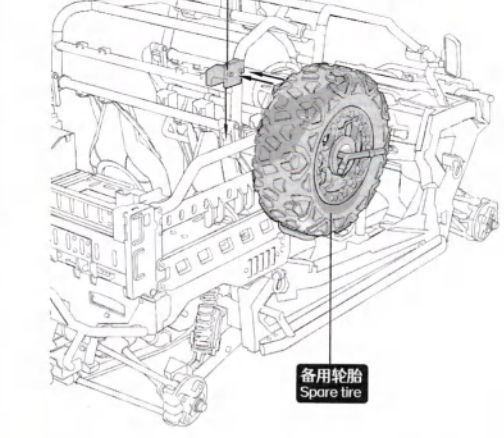
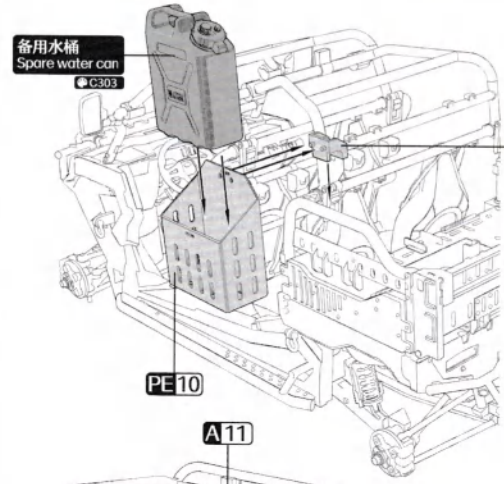
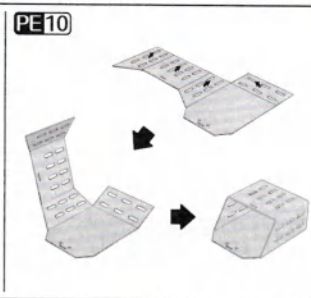
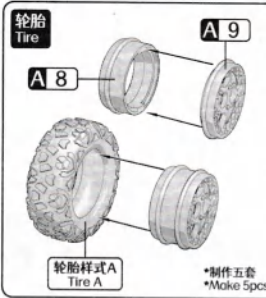
反无人机型选装
Choose when assemble anti-drone version



常规型选装
Choose when assemble common version



16. 轮胎及备用水桶组件安装 Tire & spare water can assembly

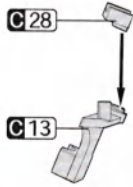


17. 机枪支架安装 Machine gun mount assembly

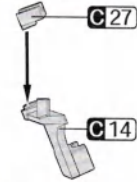


伏先制作
Assemble first

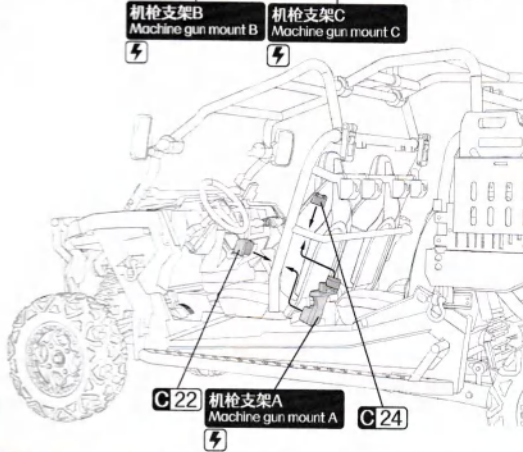
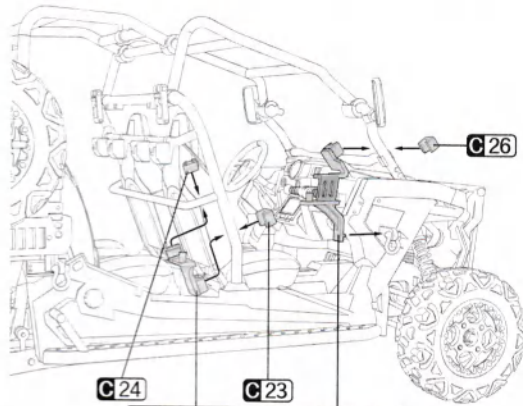
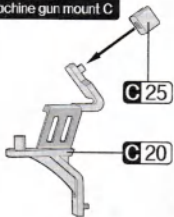
机枪支架A Machine gun mount A



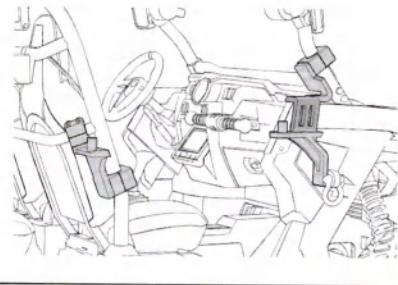
机枪支架B Machine gun mount B



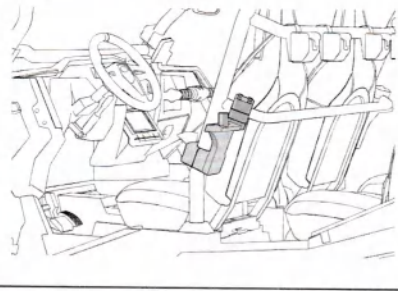
机枪支架C Machine gun mount C



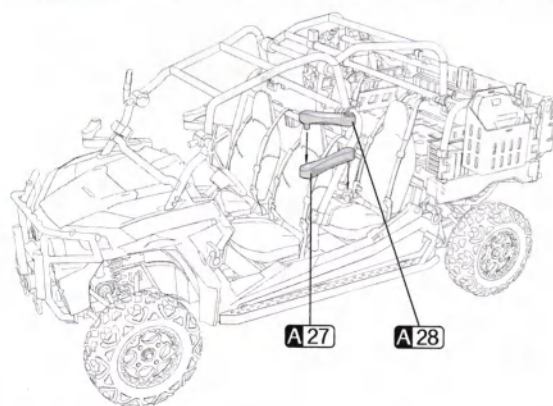
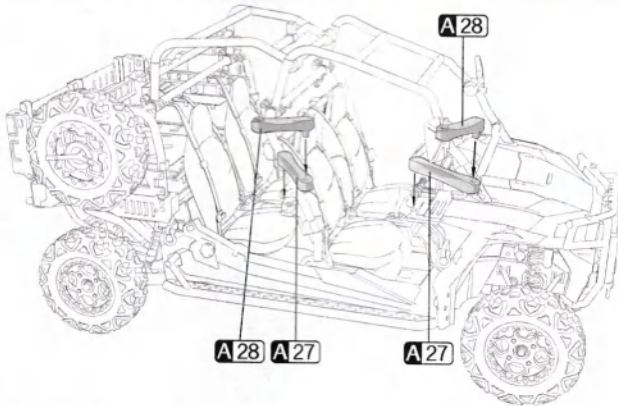
*注意零件安装方向与位置
*Note part assembly direction & position



*注意零件安装方向与位置
*Note part assembly direction & position



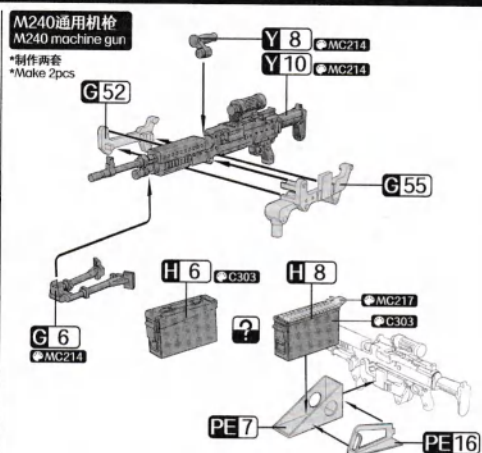
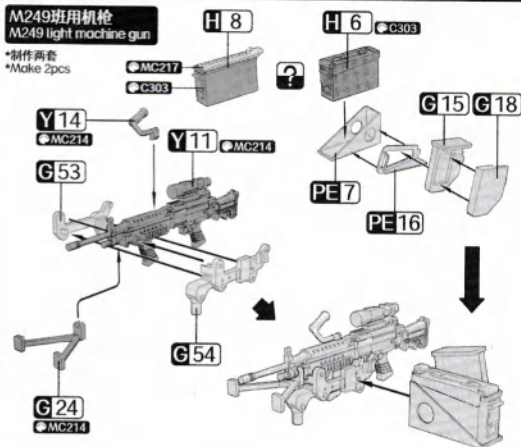
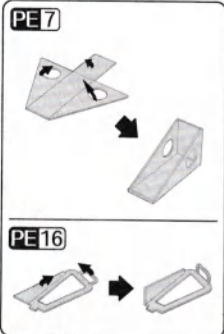
18. 机枪活动肘节安装 Machine gun swing arm assembly



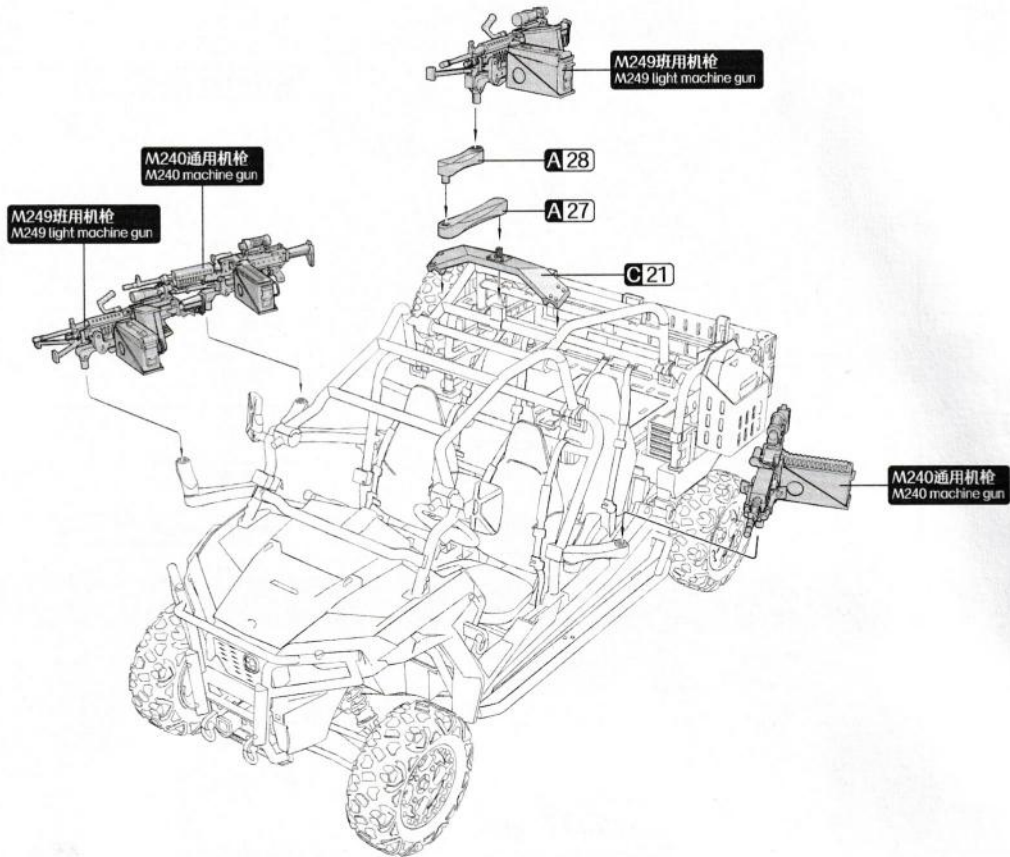
19. 车载机枪组件安装 Machine gun parts assembly



选择其一
Choose one

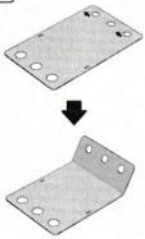


20. 武器组整合安装 Weapons attachment



21. 货斗行走机构组件安装 Trailer running gear assembly

PE 11



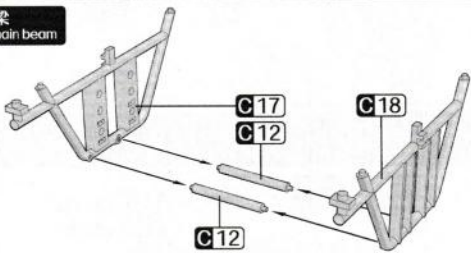
货斗避震组件A
Trailer shock absorber parts A



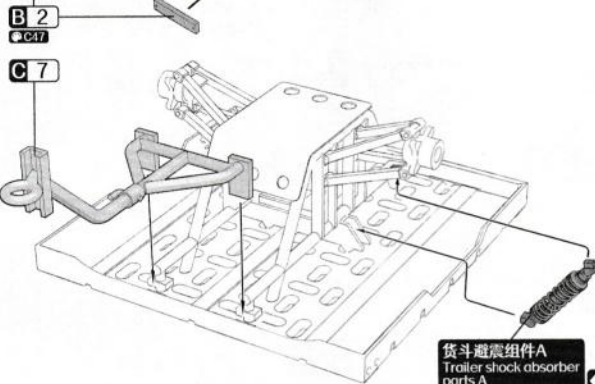
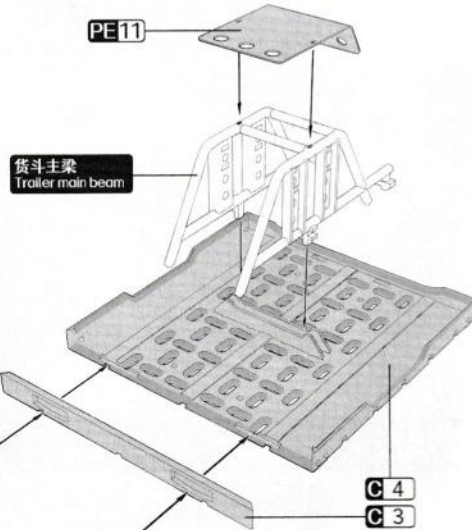
货斗避震组件B
Trailer shock absorber parts B



货斗主梁
Trailer main beam

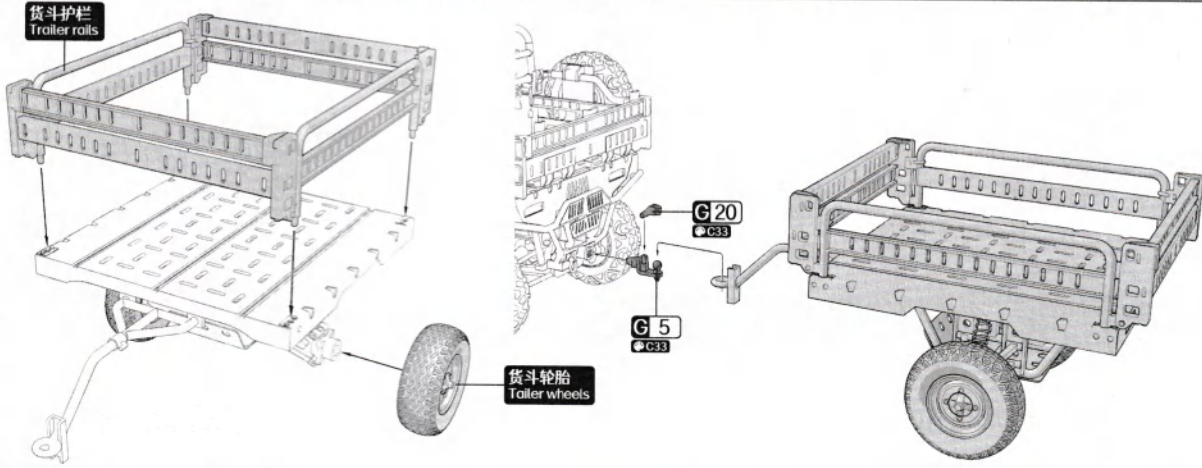
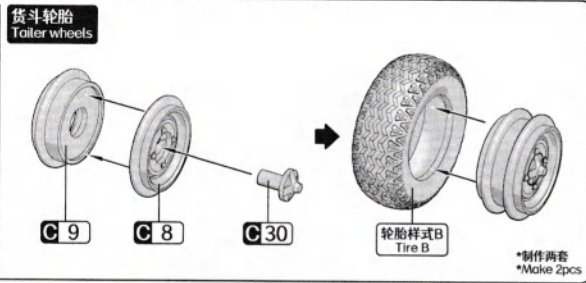
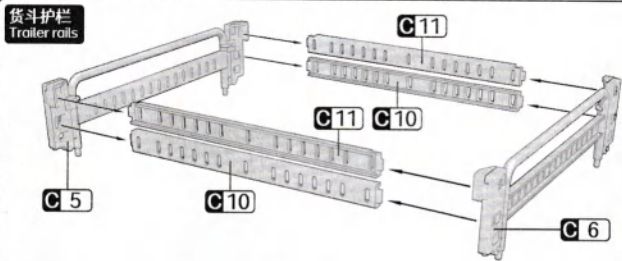


PE 11

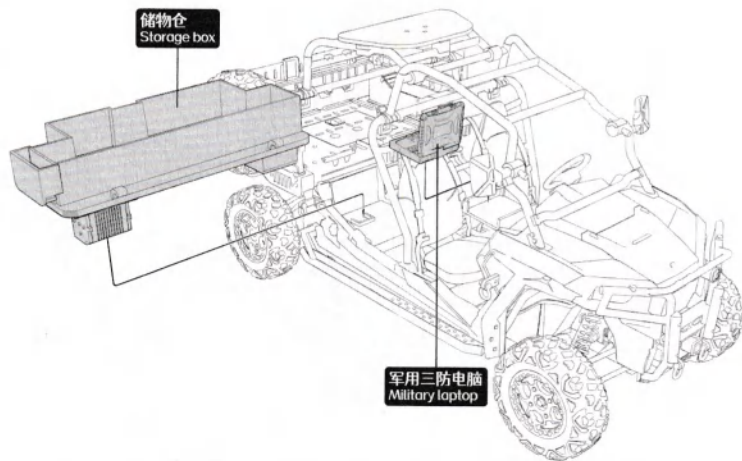
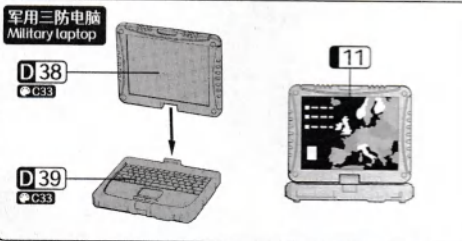
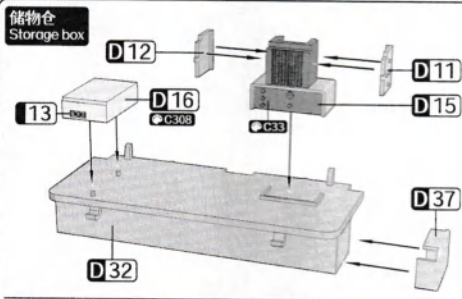


对称制作
Both sides

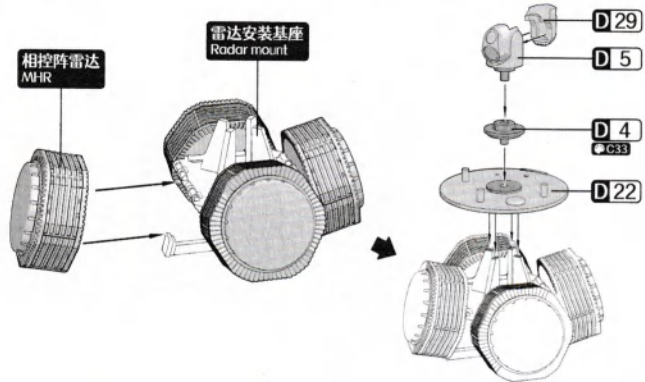
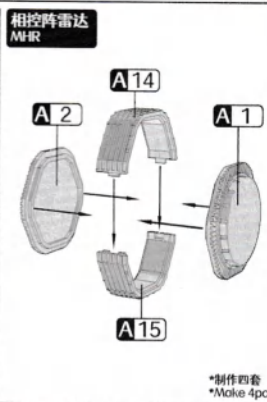
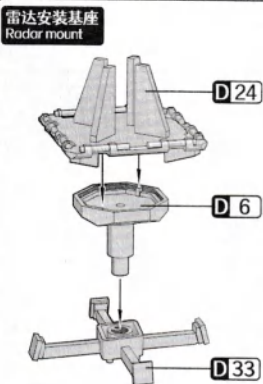
22. 货斗围栏安装 Trailer rail assembly



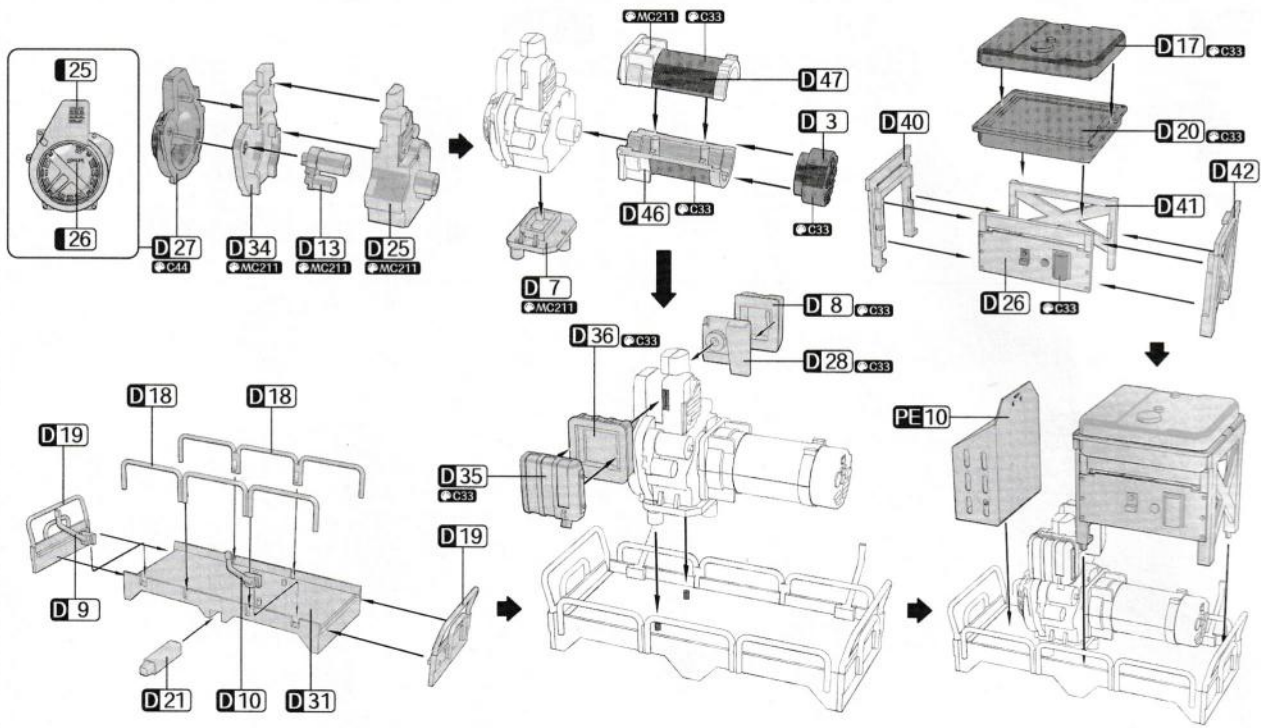
23. 电子设备及储物舱安装 Electronic device & storage box assembly



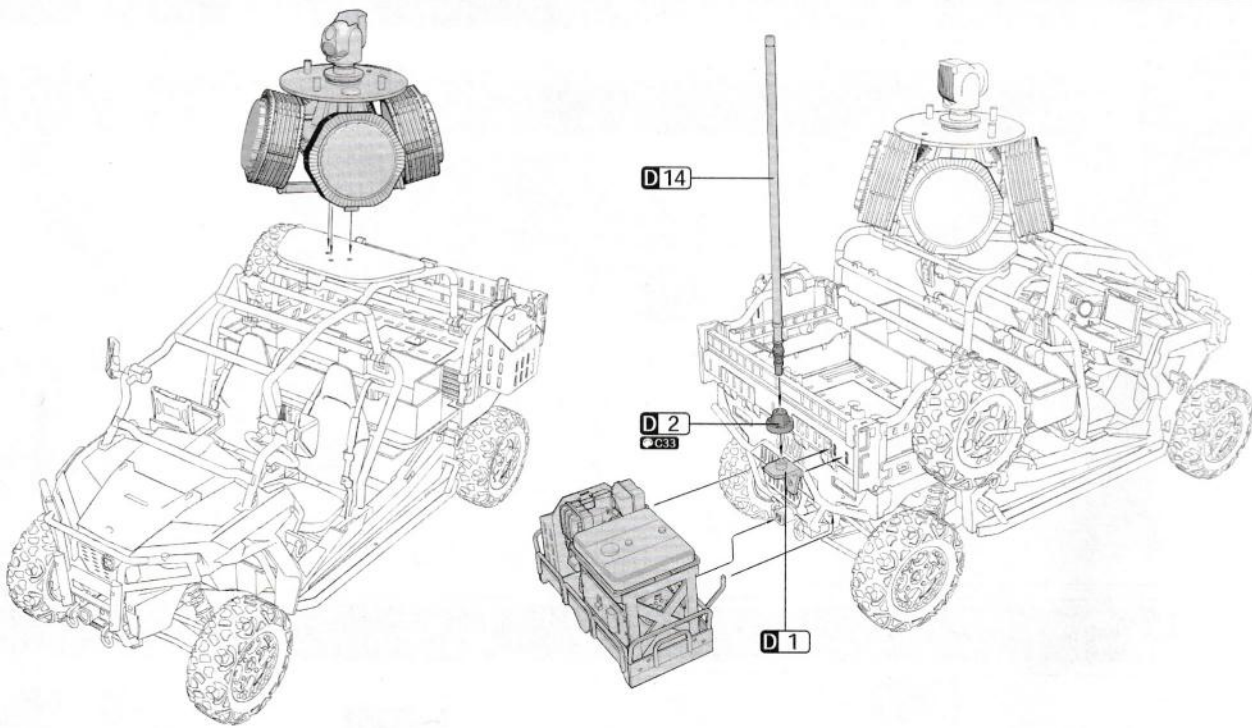
24. MHR相控阵雷达安装 MHR assembly



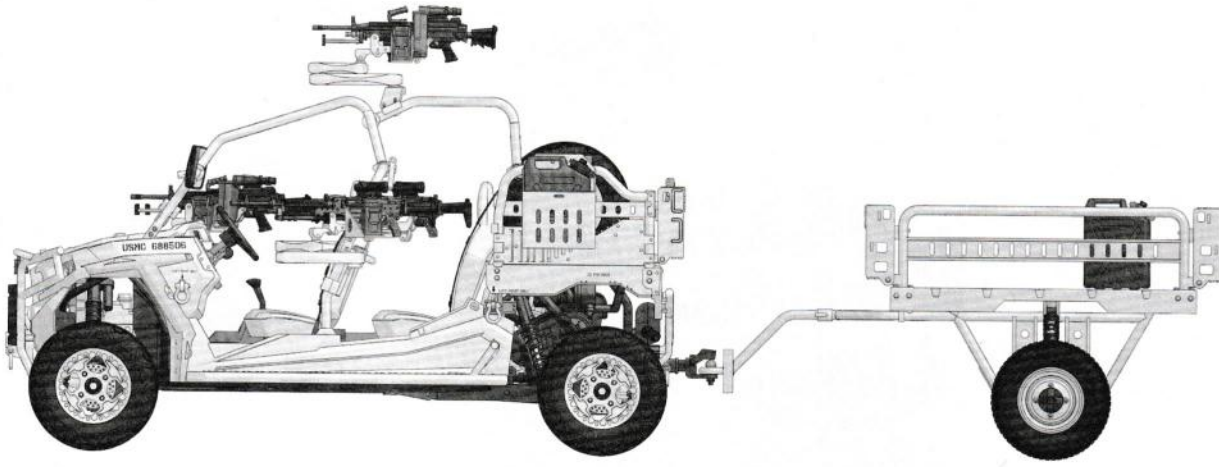
25. 车载电源组件安装 Power pack assembly



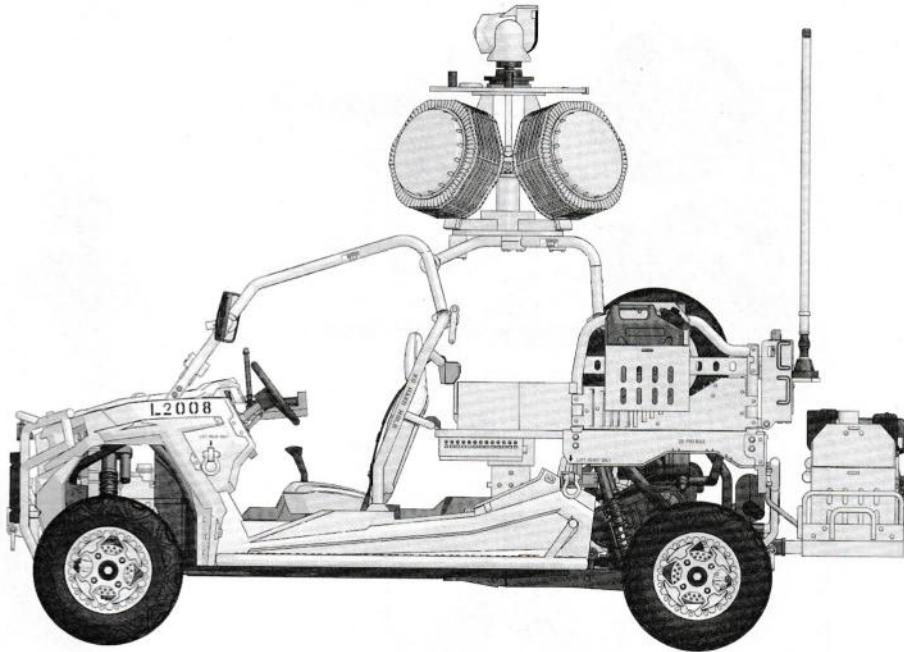
26. 反无人机系统整合安装 Anti drone system parts attachment



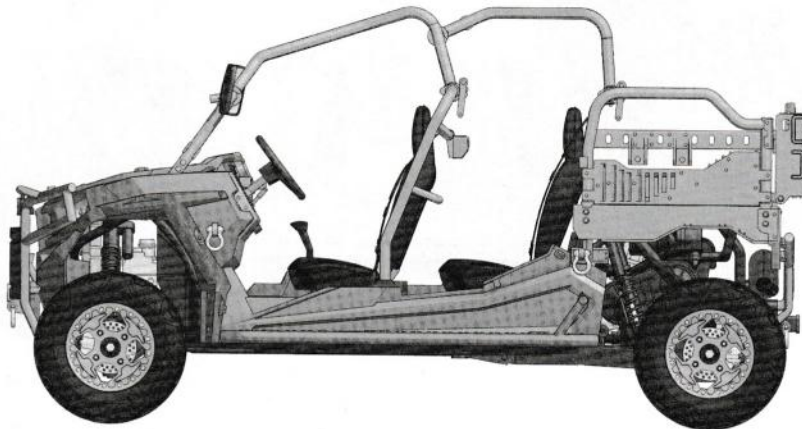
武装运输型
armed version



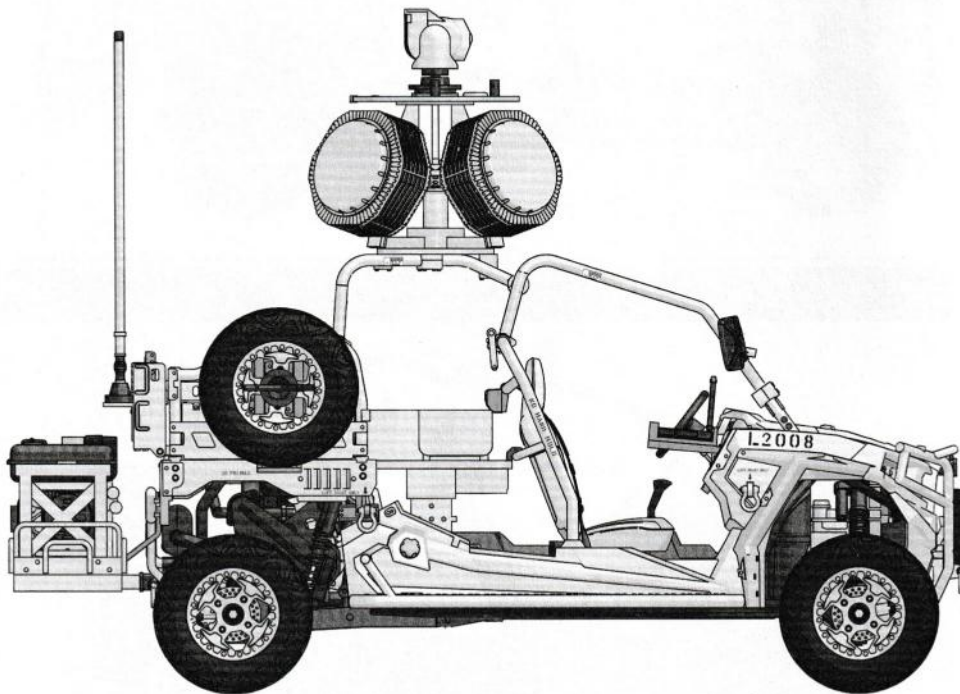
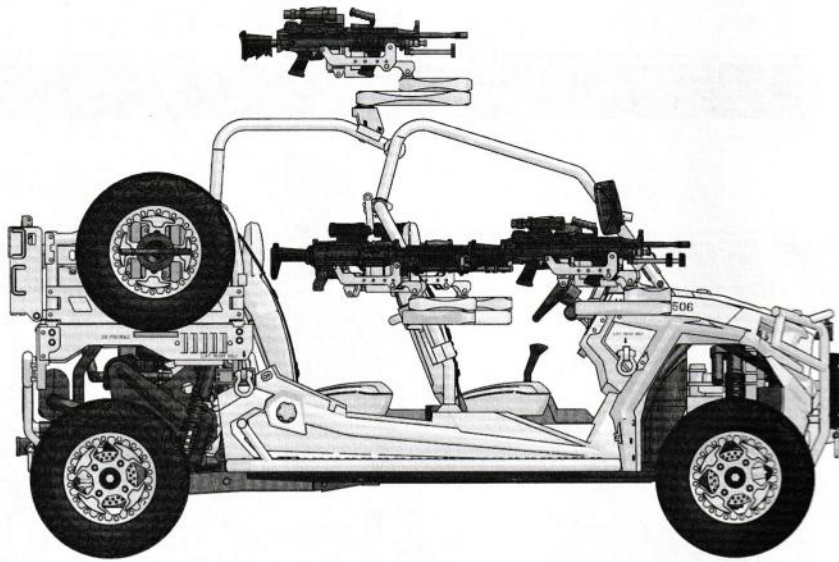
反无人机型
anti-drone version

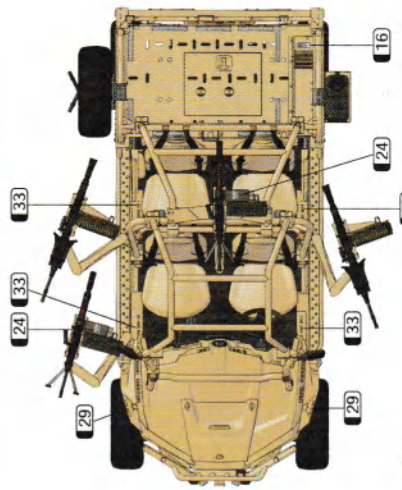
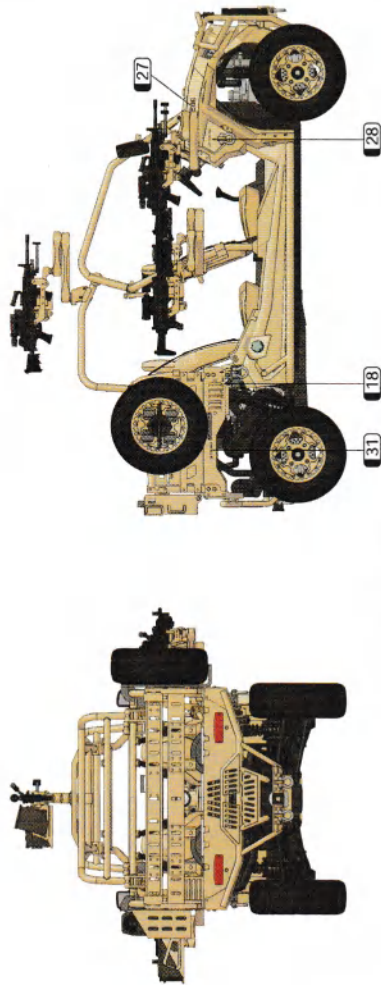
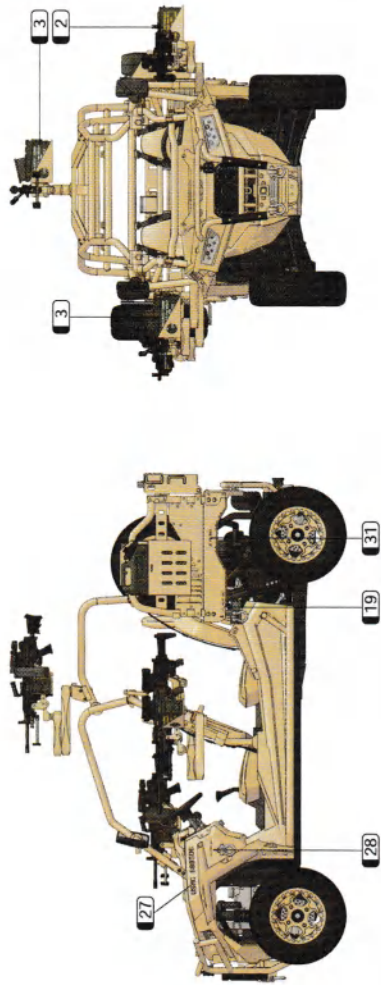


常规型
Common version

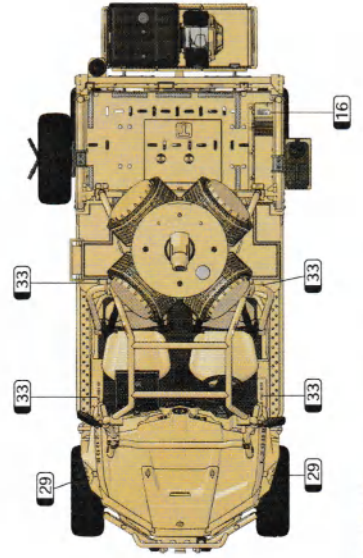
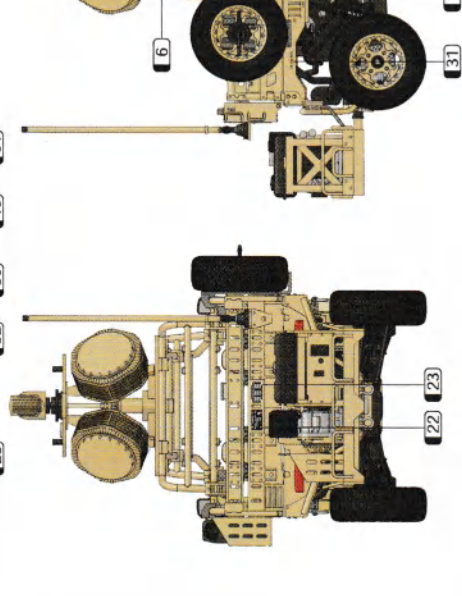
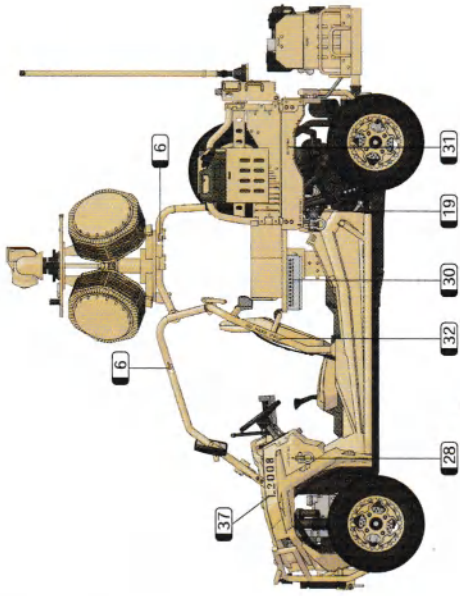


MAGIC 
FACTORY





美国海军陆战队第二师第二轻型装甲侦察营
2nd Light Armoured Recon Battalion, 2nd Marine Division, United States Marine Corps



美国海军陆战队第13远征部队
The 13th Expeditionary Unit, United States Marine Corps

AK Mr. Color TAMIYA

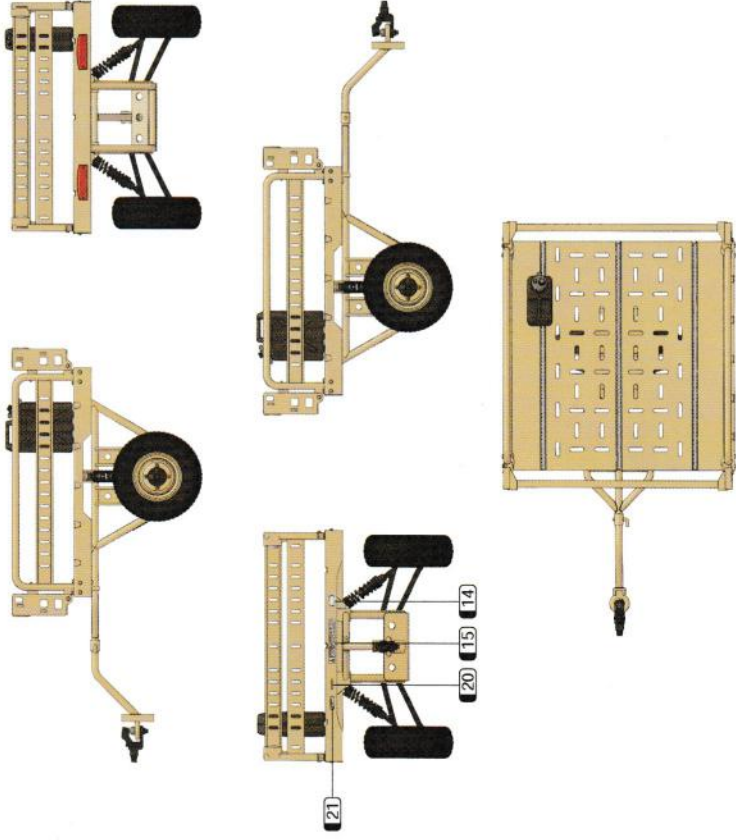
砂黄	Military Tan	RC079	C44	XF-57
亚光黑	Flat Black	RC001	C33	XF-1
浅灰蓝	Light Ghost Grey	RC252	C308	AS-26
半光泽绿	Semi-gloss Green	RC012	C312	XF-5
美军绿	Nato Green	RC083	C303	XF-67
橡胶黑	Tire Black	RC022	C137	XF-85
金属银	Chrome Silver	-	MC211	X-11
橄榄褐	Olive Drab	RC026	C304	XF-62
黄棕色	Earth Yellow	RC030	C321	AS-15
透明红	Clear Red	RC503	C47	X-27
枪铁色	Gun Metal	RC015	MC214	X-10
烧铁色	Metallic Burnt Iron	-	C61	XF-84
金属金	Metallic Gold	-	MC217	X-12

MAGIC FACTORY



展会推广展示涂装
Trade Show Propaganda Showcase Painting

MAGIC FACTORY



MAGIC FACTORY



Mr. Color

