

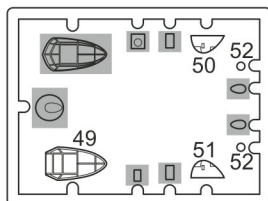
DE HAVILLAND MOSQUITO NF/F/PR.II

INTRUDER



MKM144123
1/144 scale

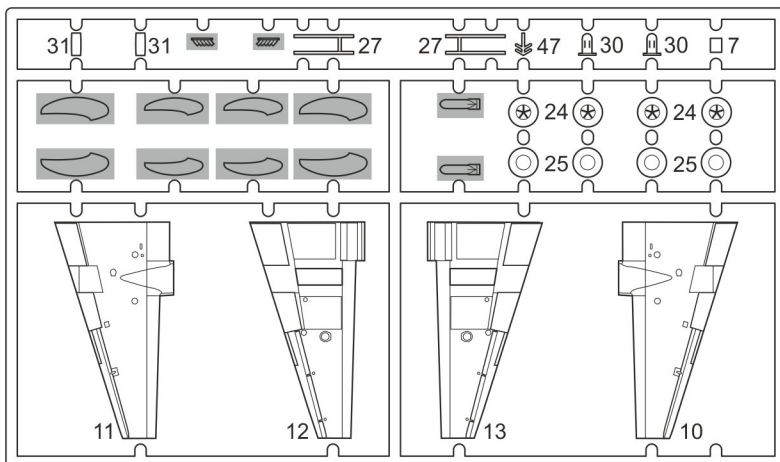
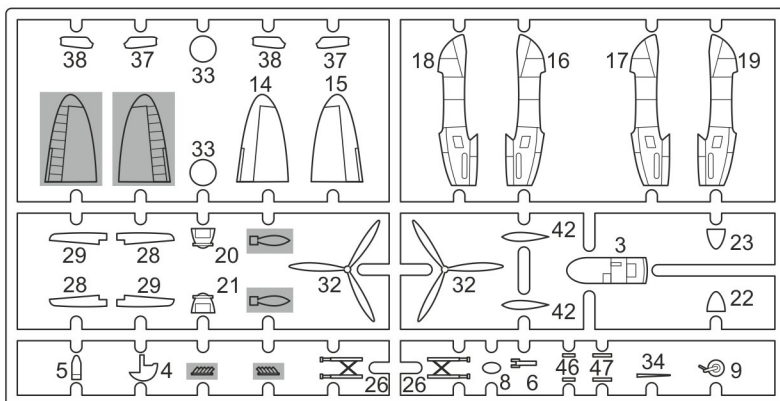
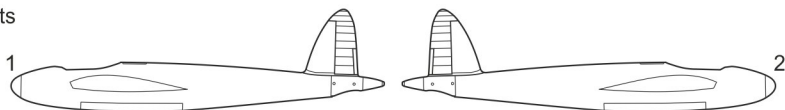
parts not
to be used



clear parts

MARK I Ltd.
PO Box 10
CZ-100 31 Prague 10
Czech Republic
mark1@cmail.cz
www.4pluspublications.com

plastic parts



2x Repeat this operation

Glue

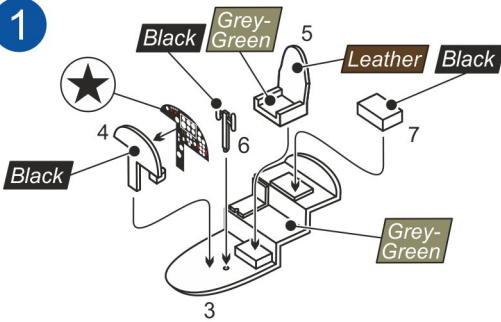
Decal

Drill

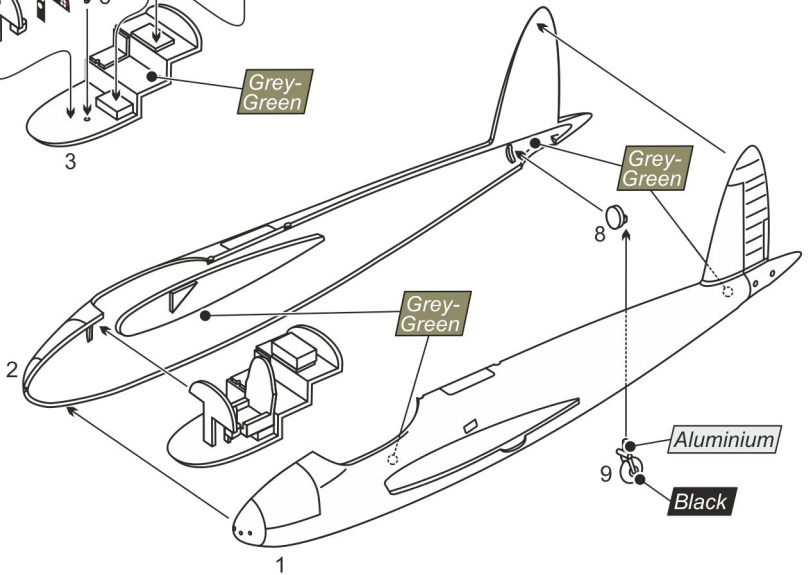
Detach/cut

Optional

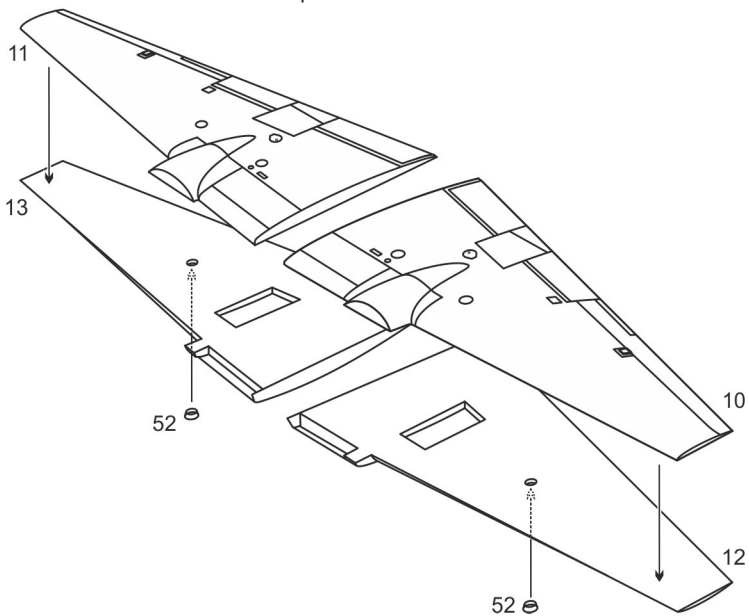
1



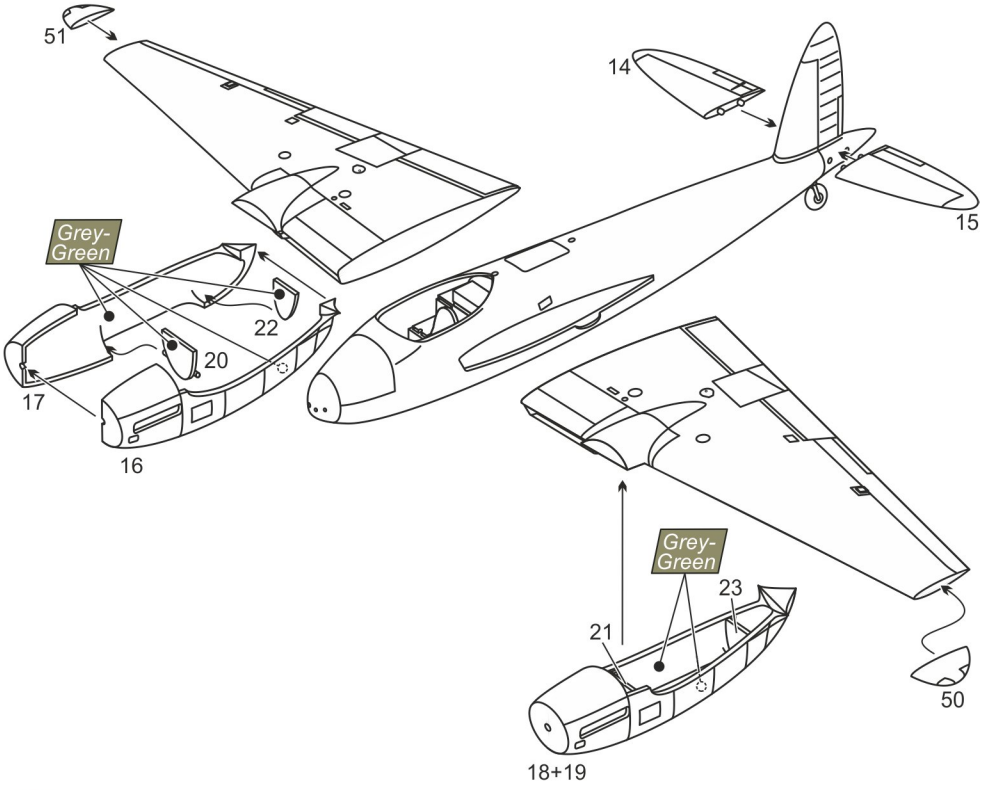
2



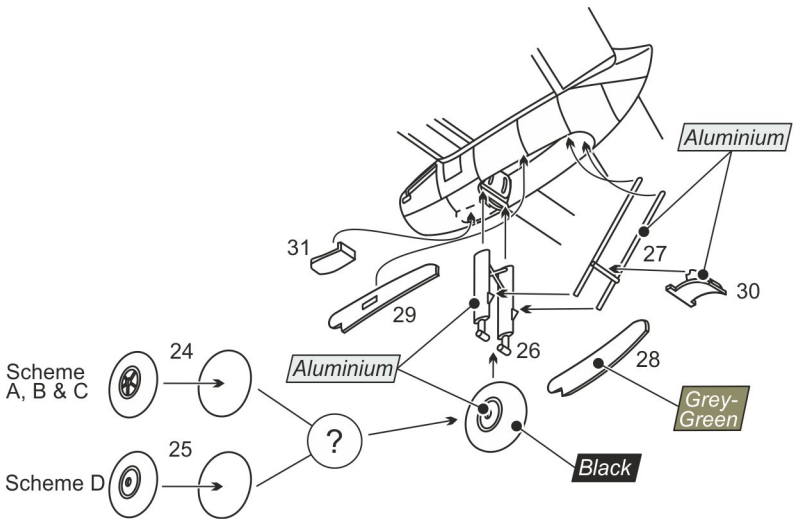
3



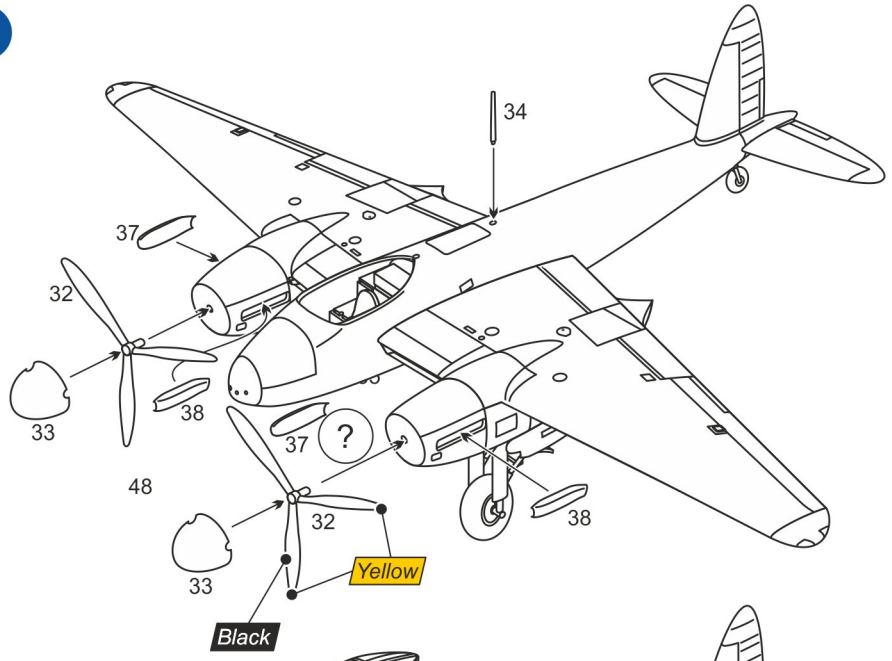
4



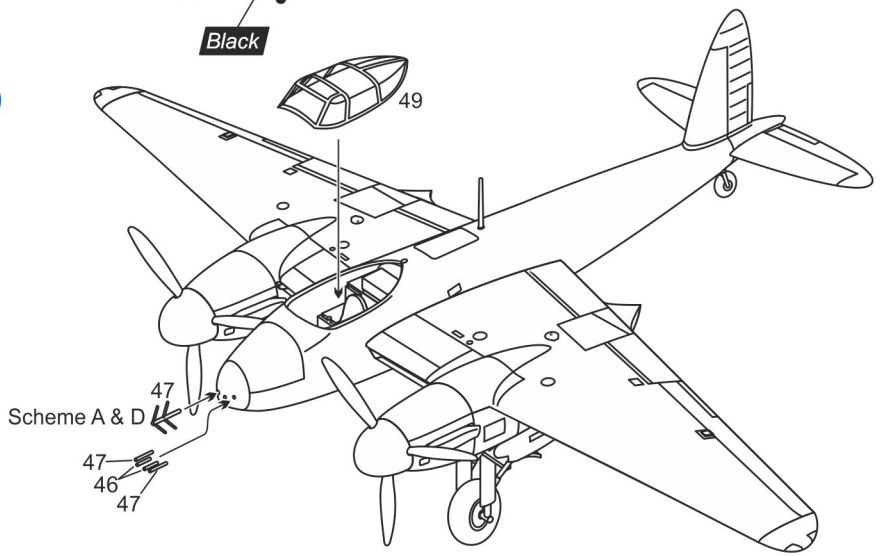
5



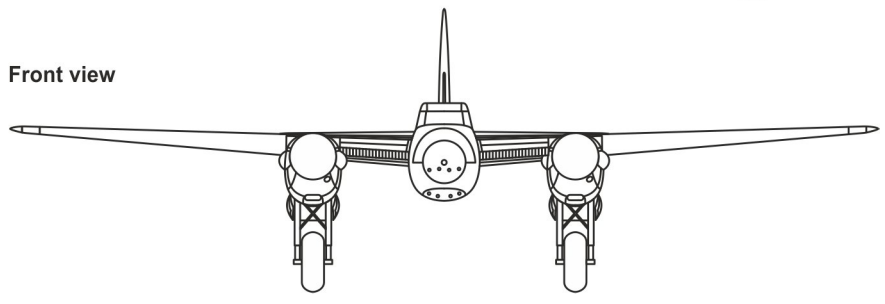
6



7

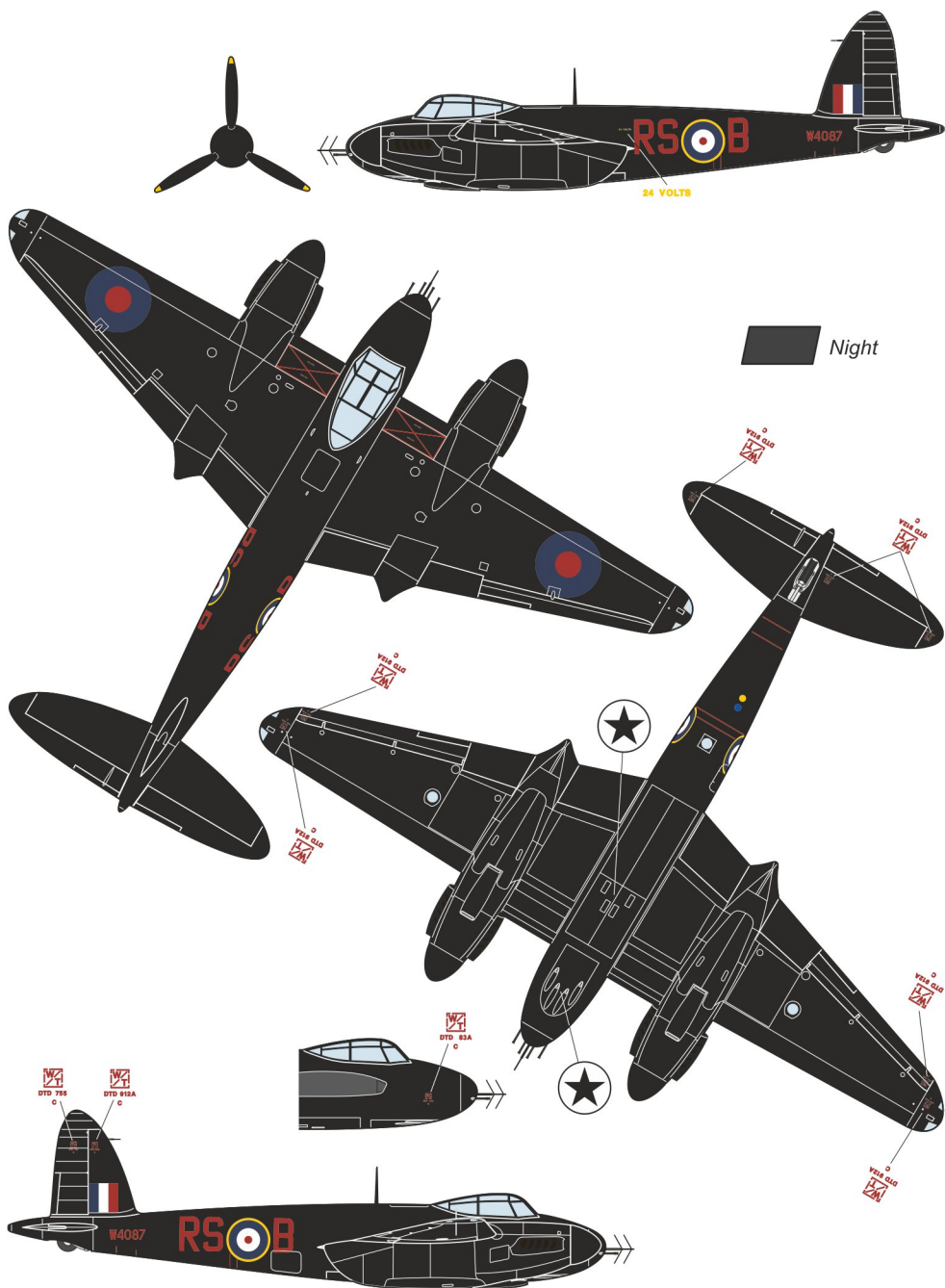


Front view



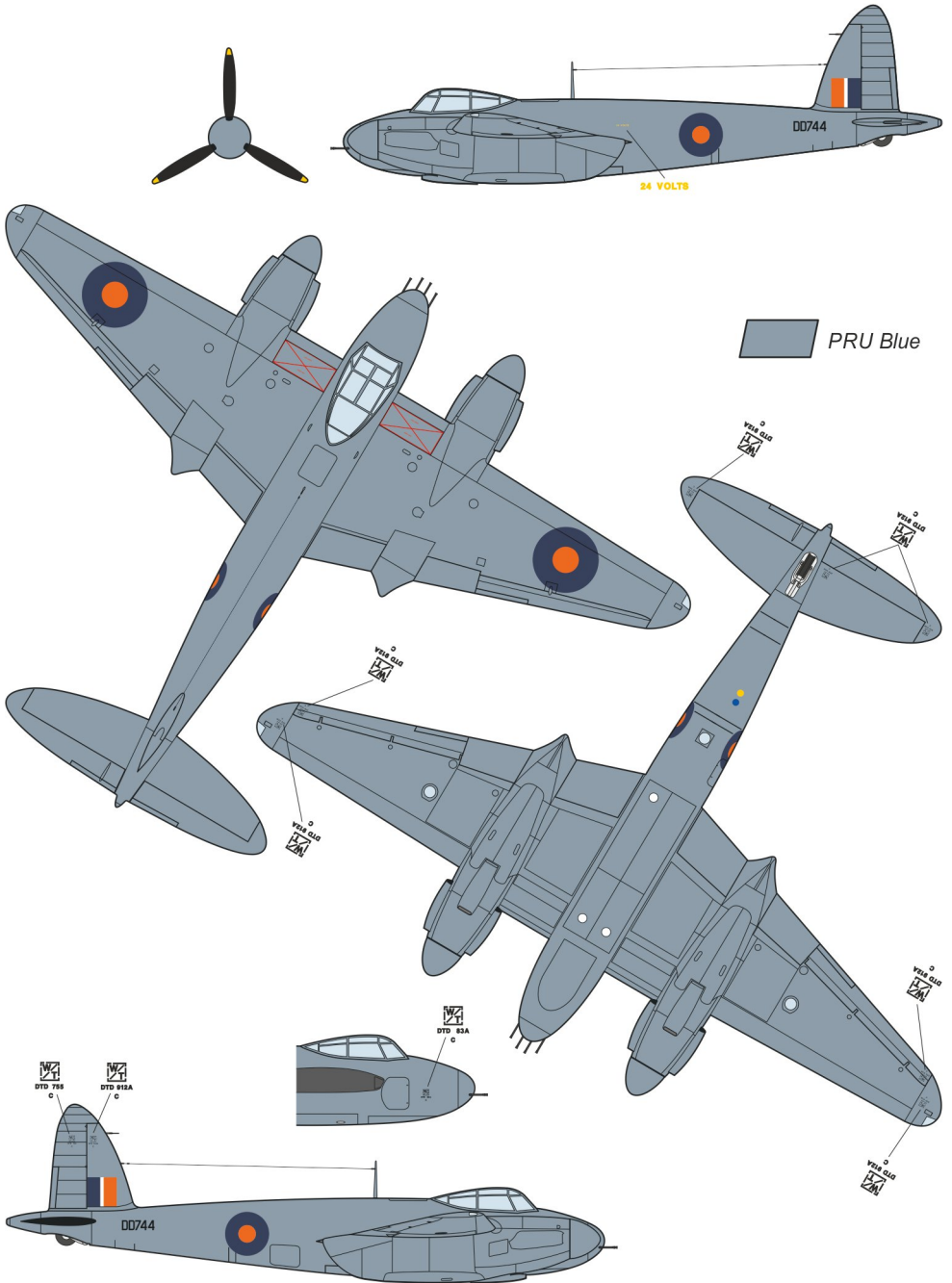
A

de Havilland DH.98 Mosquito NF Mk.II, W4087, Red RS-B, No.157 Sq., Royal Air Force, Castle Camps airfield, Cambridgeshire, U.K., April 1942



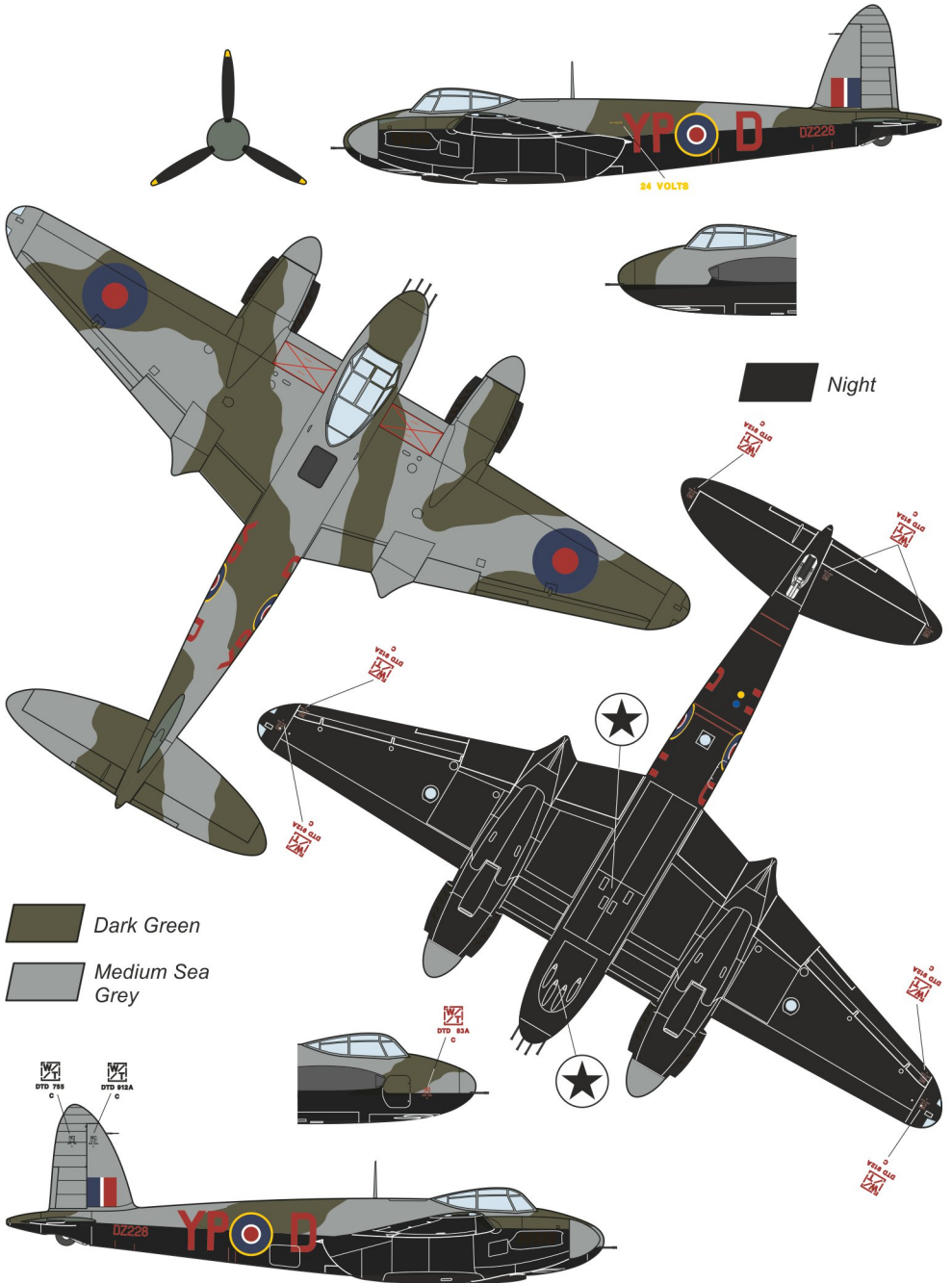
B

de Havilland DH.98 Mosquito PR Mk.II, DD744, No.60 Sq., South African Air Force, Castel Benito airfield, Libya, North Africa, summer 1943





de Havilland DH.98 Mosquito F Mk.II, DZ228, Red YP-D, No.23 Sq., Royal Air Force, Luqa airfield, Malta, December 1942





de Havilland DH.98 Mosquito F Mk.II, DZ757, Red RA-Q, No.410 'Cougar' Sq., Royal Canadian Air Force, Coleby Grange airfield, Lincolnshire, U.K., September 1943

