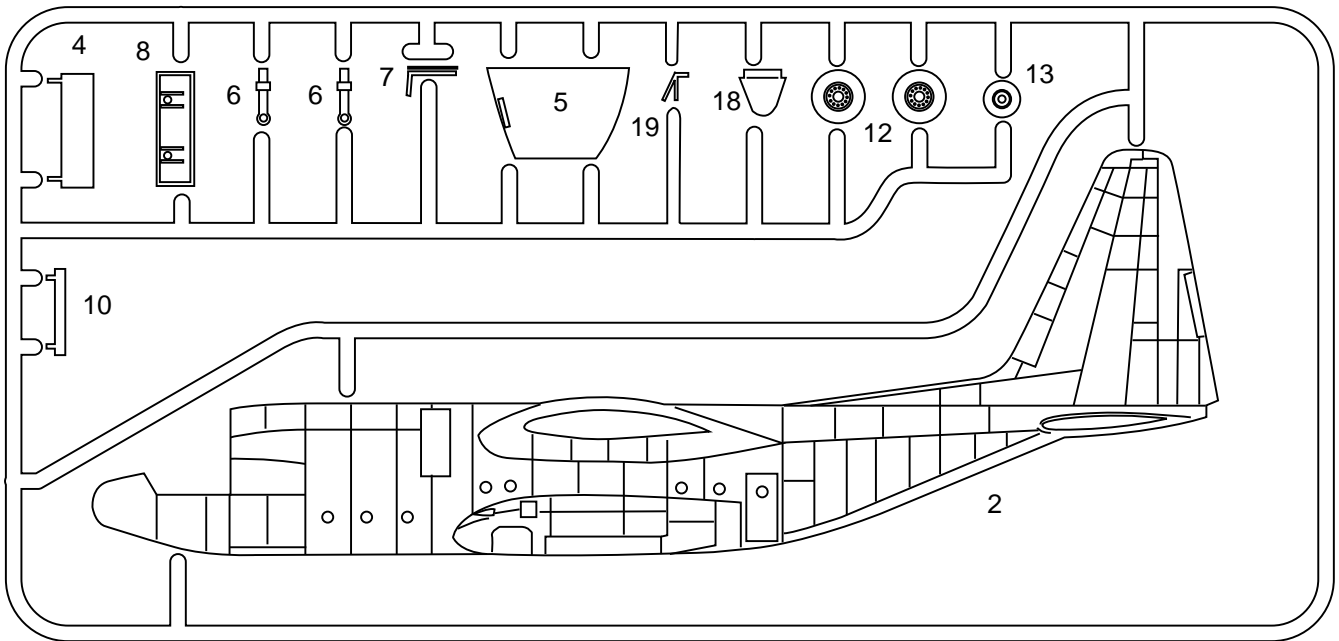


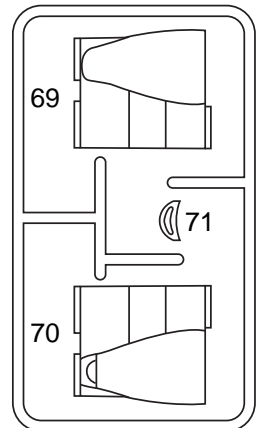
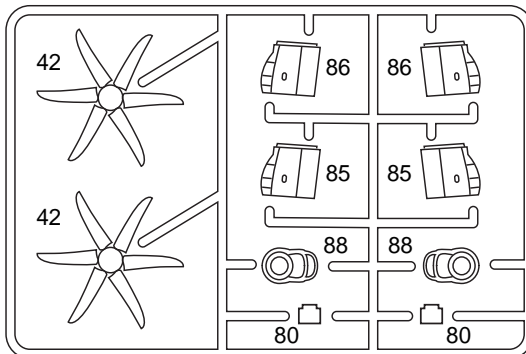
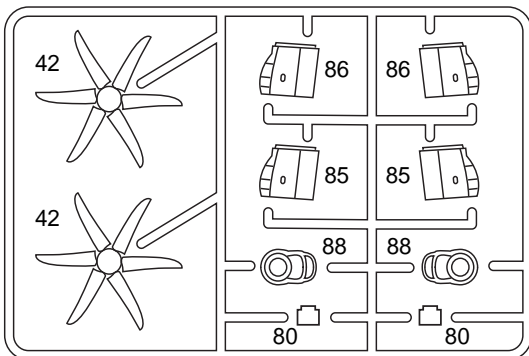
'A' FUSELAGE PARTS SPRUES



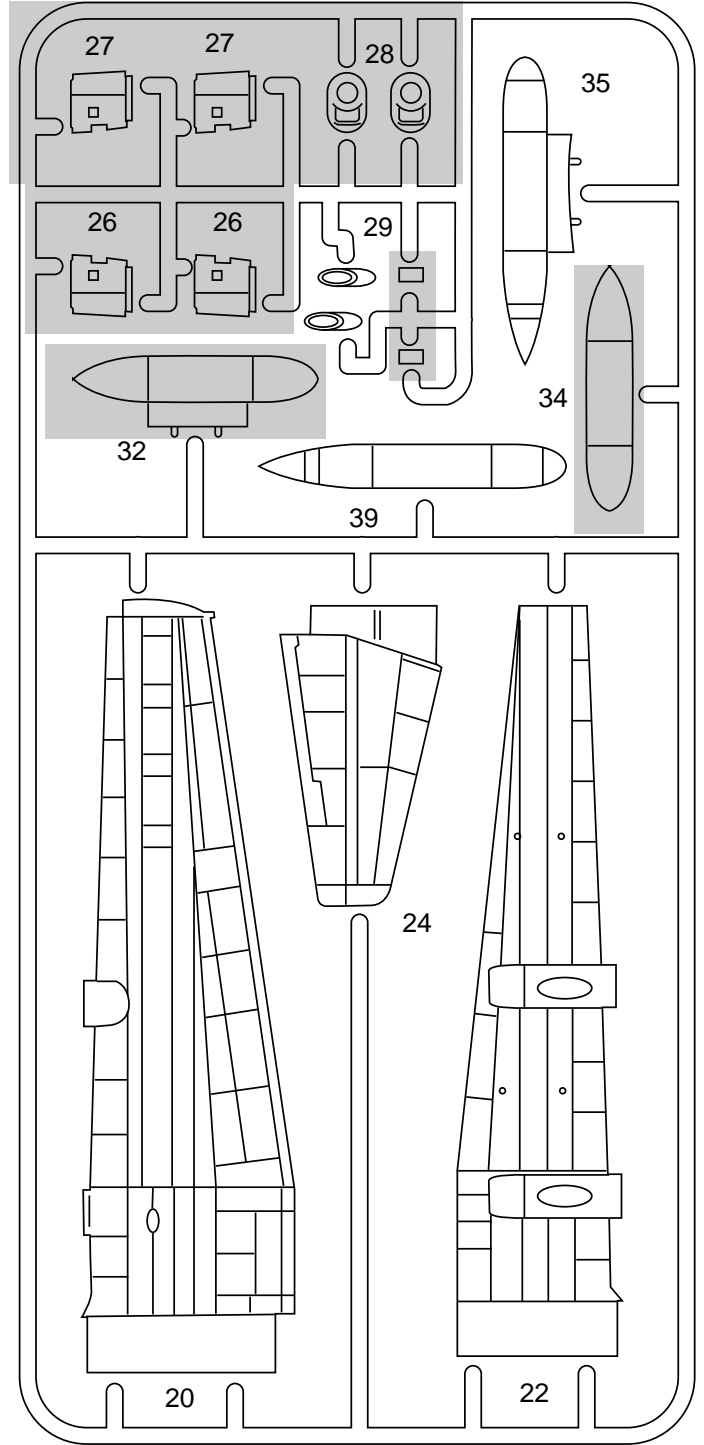
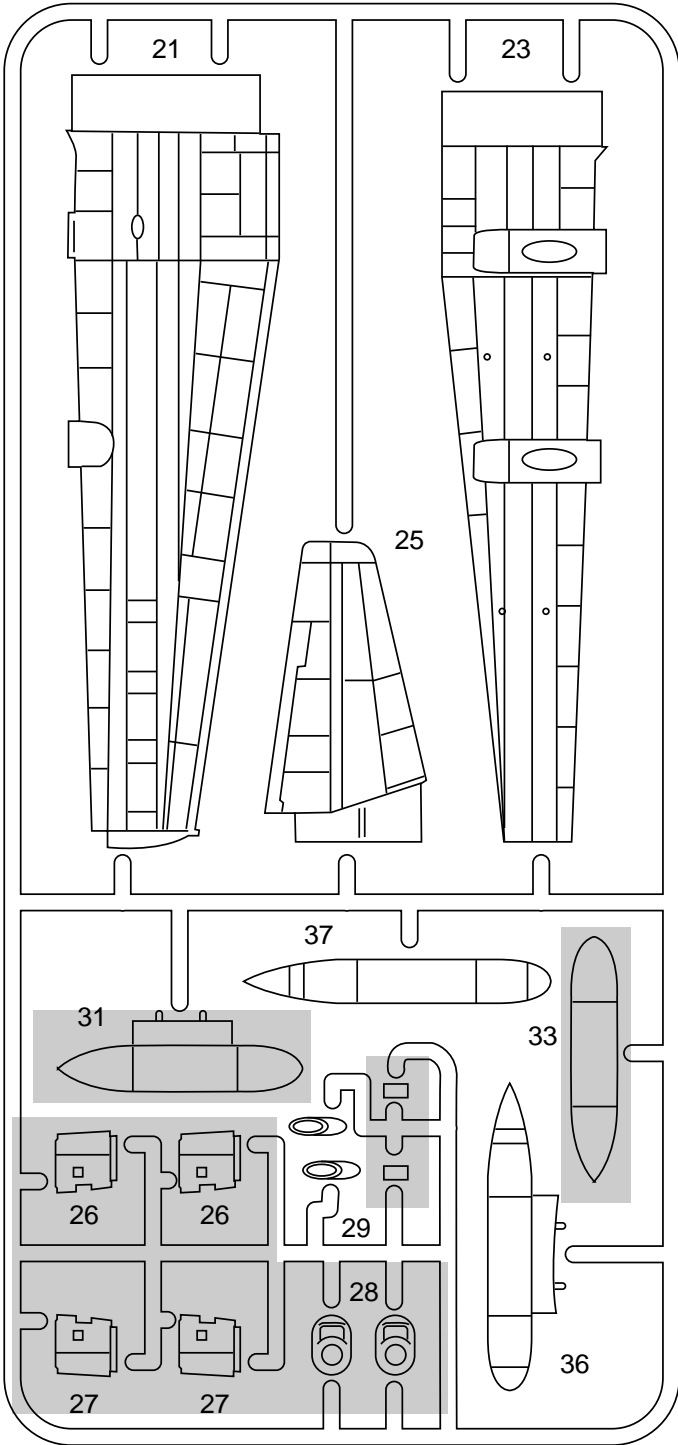
J VERSION PARTS SPRUE

J VERSION PARTS SPRUE

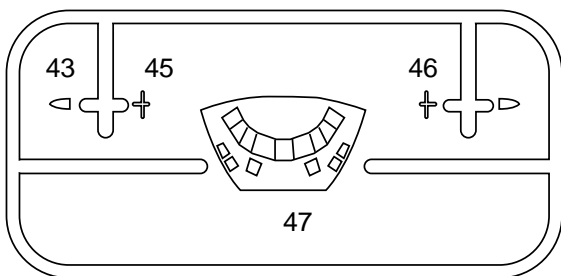
FUSELAGE SPONSON SPRUE



'B' WING / ENGINE / TANK PARTS SPRUE

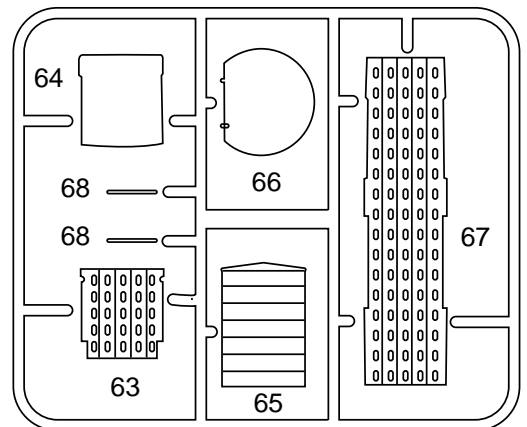


'C' CLEAR PARTS SPRUE



NOTE
Parts shown in Gray
are not for use

INTERIOR PARTS SPRUE





Cement
Coller
Kleben
Pegar
Incollare
Colar
Kleven



DO NOT Cement
Ne pas Coller
Nicht Kleben
No Pegar
Non Incollare
Nao Colar
Niet Kleven



Cut away
Couper
Scheiden
Cortar
Tagliere
Cortar
Snijden



Optional parts
Choix
Auswahlmöglichkeit
Eleccion
Scelta
Opaco
Keuze



3

Repeat operation
R p terer l' op ration
Vorgang wiederholen
Repitir la operacion
Ripetere
Repitir a operacao
Herhalen

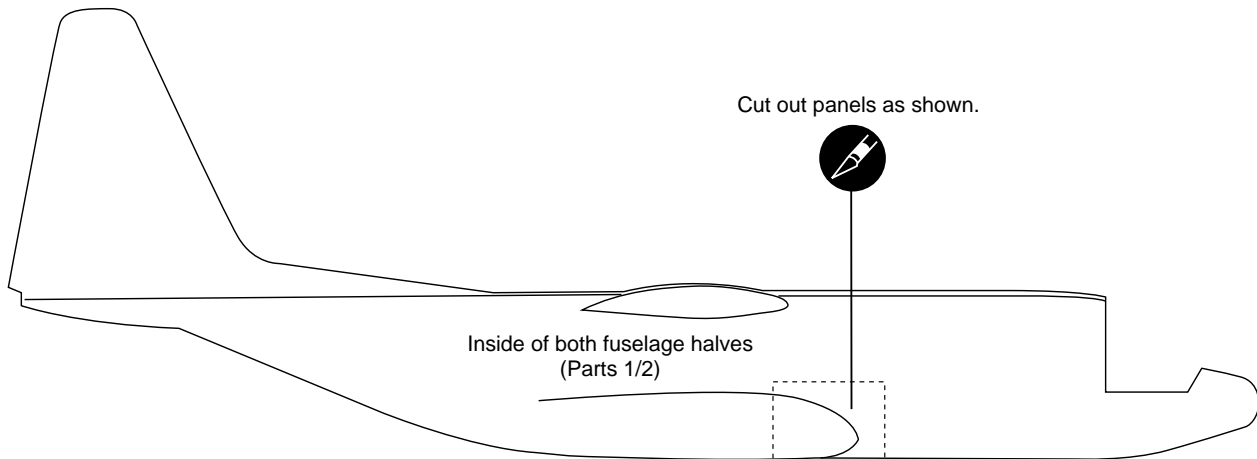


Symmetrical assembly

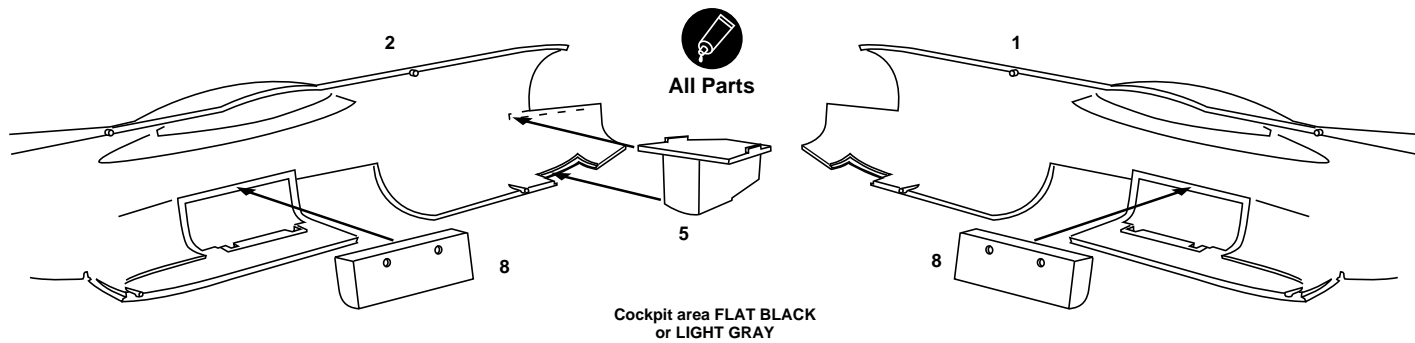


Drill hole

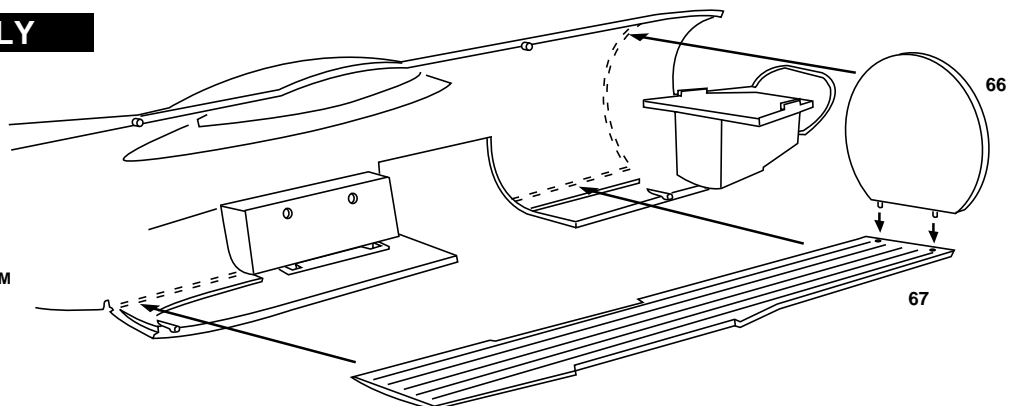
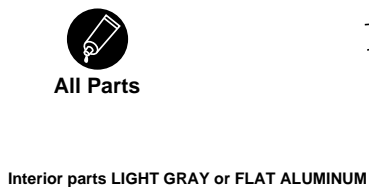
C-130J



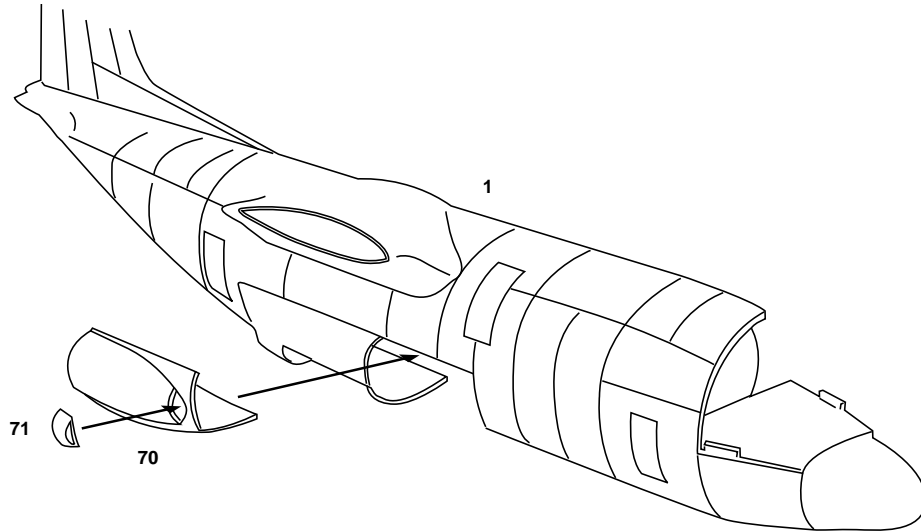
1 WHEEL WELLS



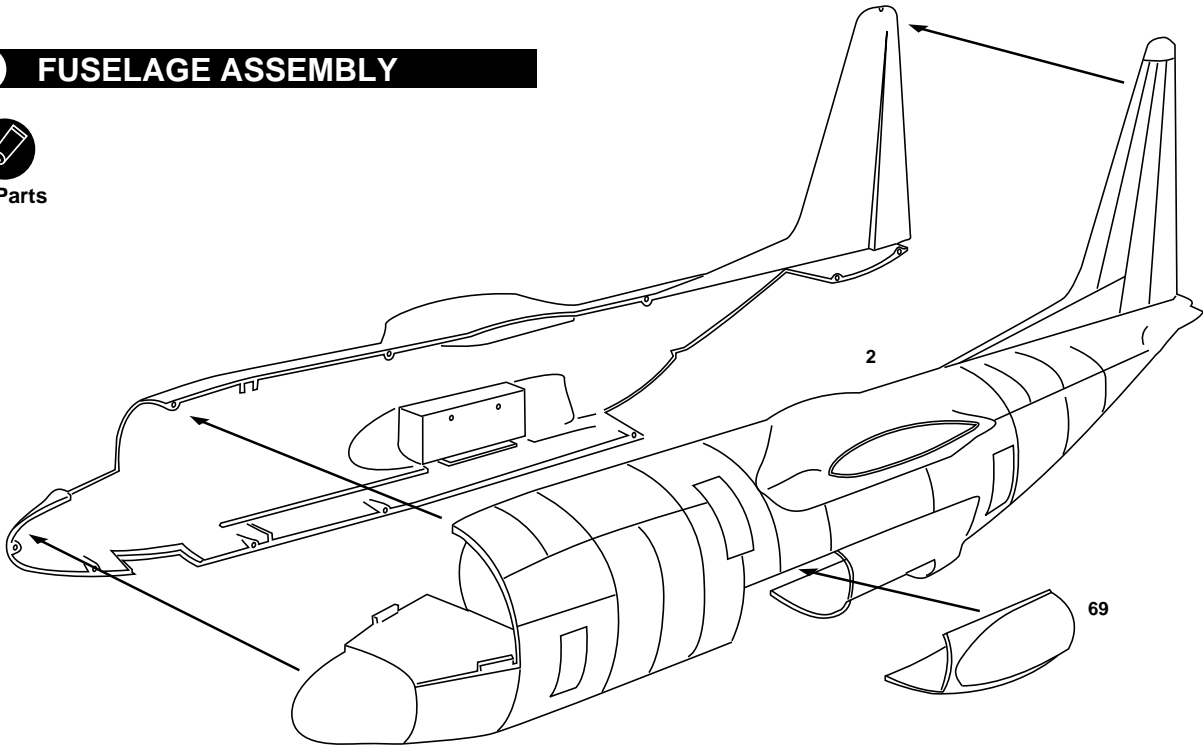
2 INTERIOR ASSEMBLY



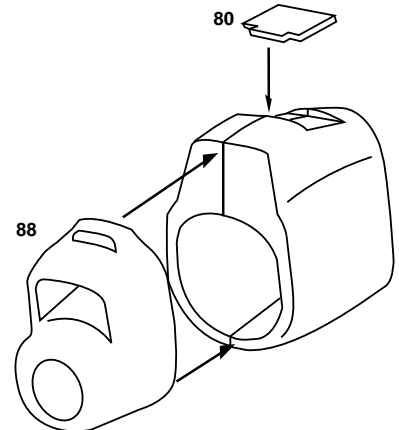
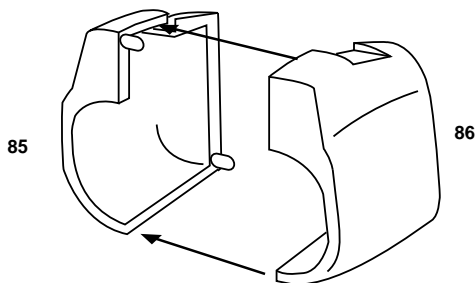
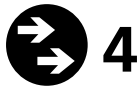
3 RIGHT FUSELAGE SPONSON



4 FUSELAGE ASSEMBLY



5 NACELLE ASSEMBLY

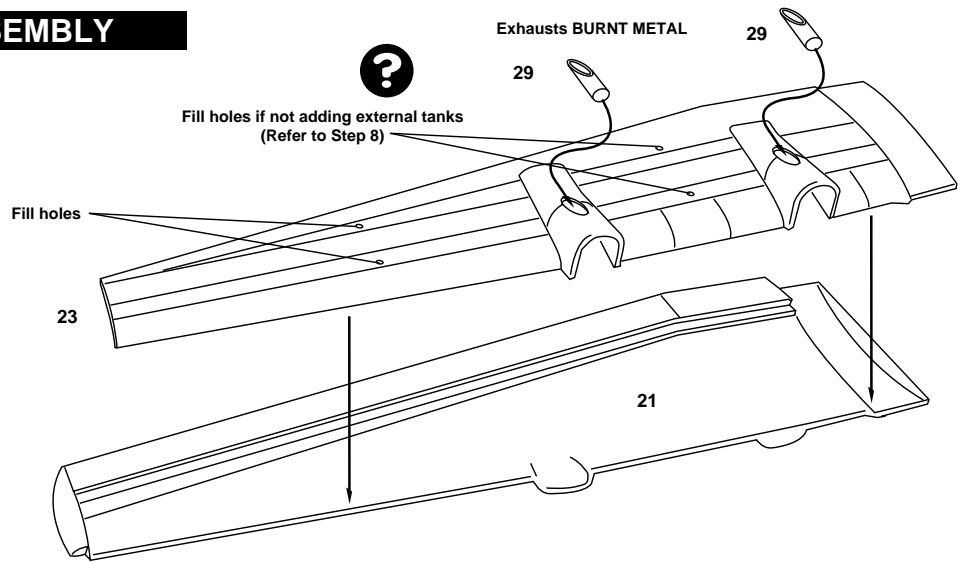


NOTE - Parts are shown upside down for clarity.

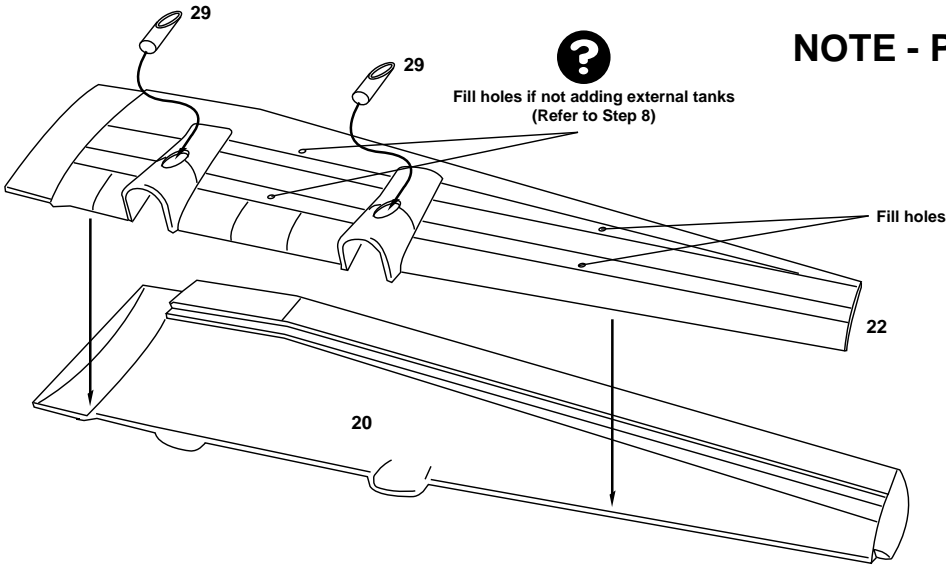
6 WING / EXHAUST ASSEMBLY



LEFT WING



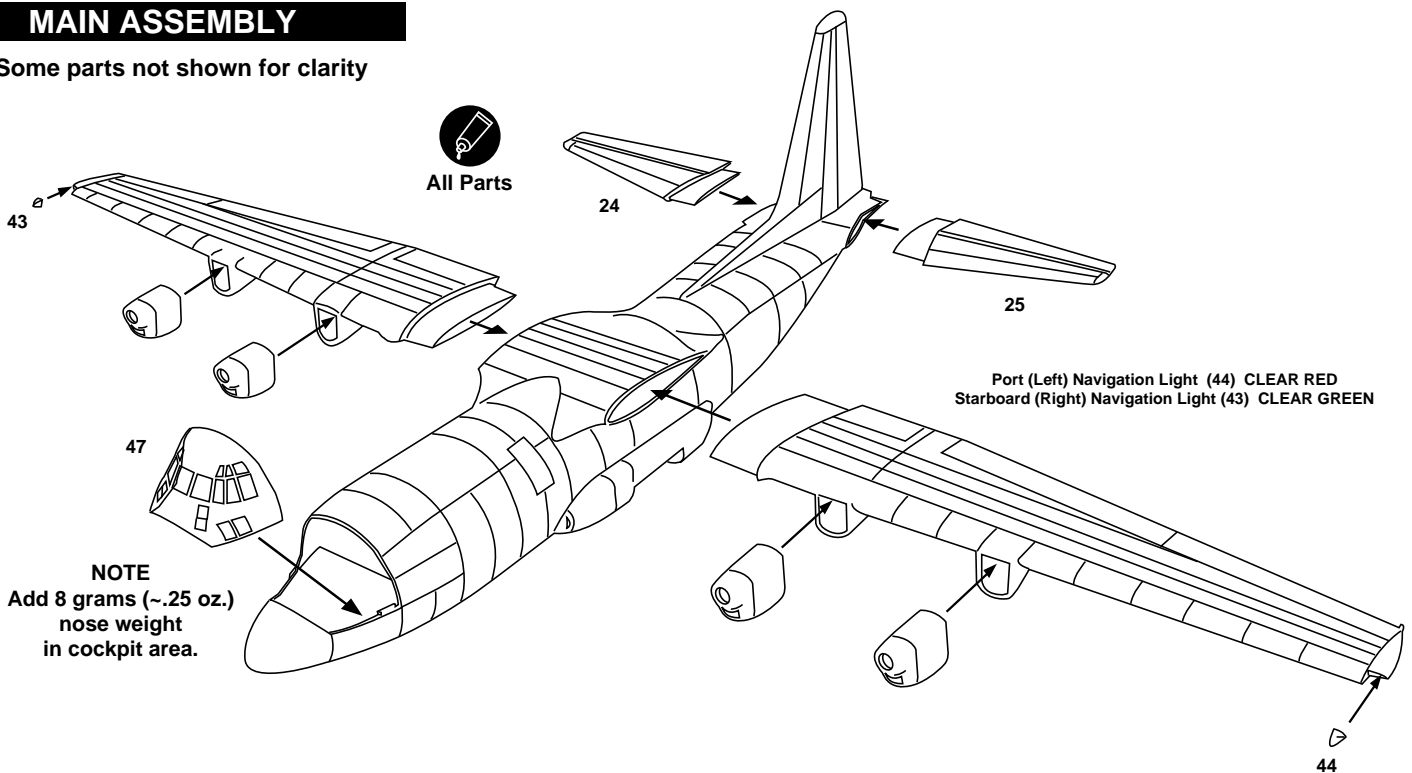
NOTE - Parts are shown upside down.



RIGHT WING

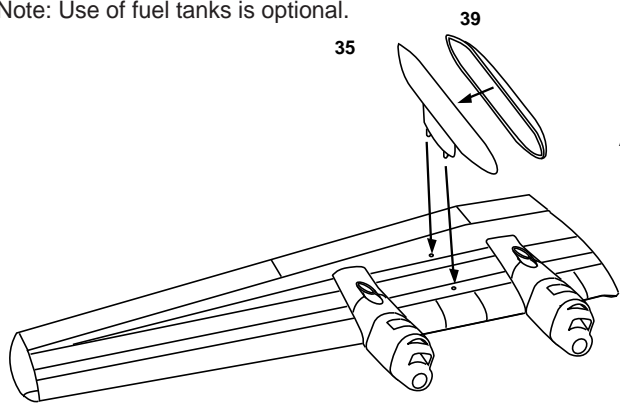
7 MAIN ASSEMBLY

Some parts not shown for clarity

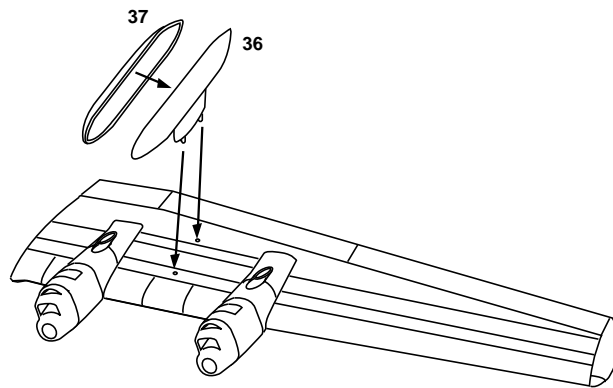


8 EXTERNAL FUEL TANKS

Note: Use of fuel tanks is optional.



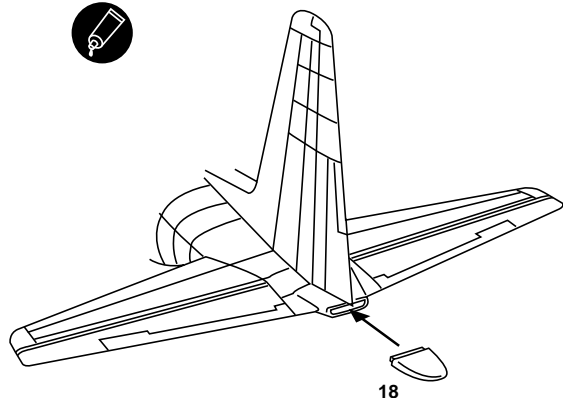
LEFT WING



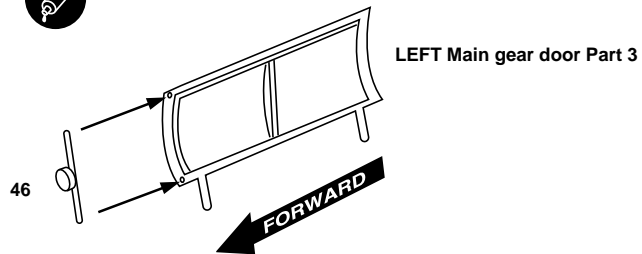
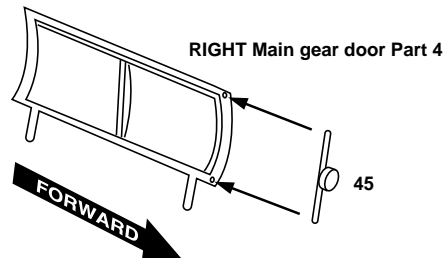
RIGHT WING

NOTE - Parts are shown upside down.

9 BEAVER TAIL



10 LANDING LIGHTS

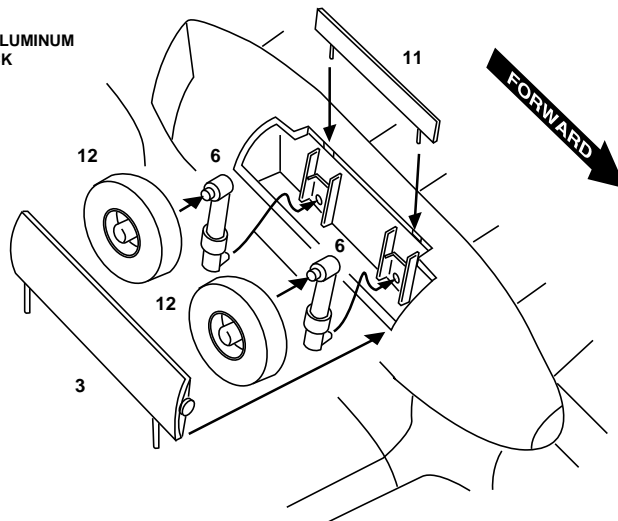
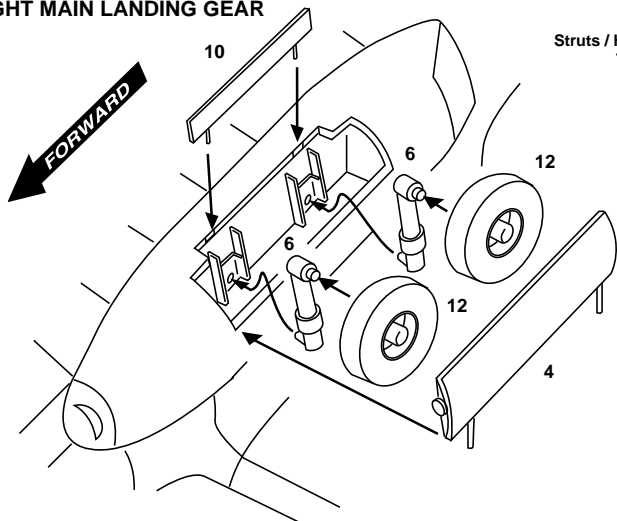


11 MAIN LANDING GEAR

RIGHT MAIN LANDING GEAR

LEFT MAIN LANDING GEAR

Struts / Hubs / Interiors ALUMINUM
Tires FLAT BLACK

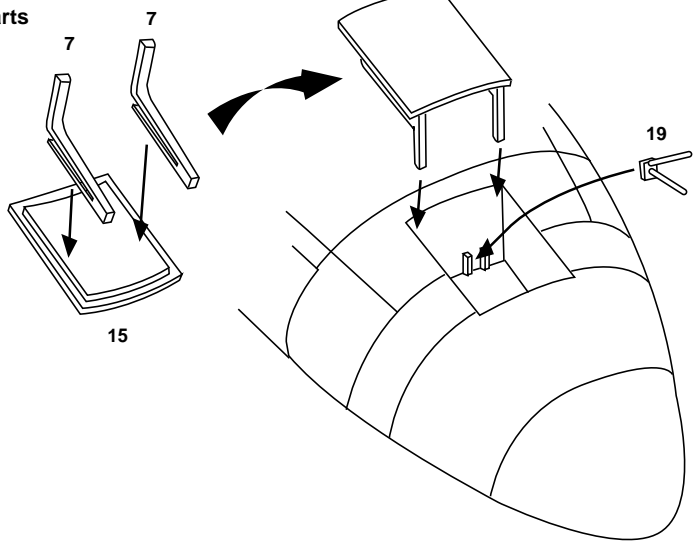


All Parts

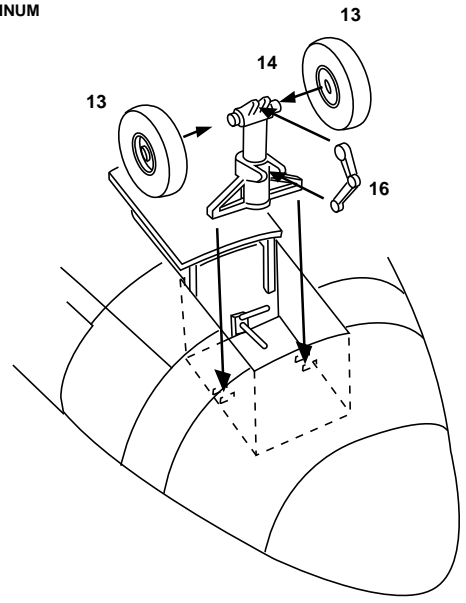
12 NOSE LANDING GEAR



All Parts



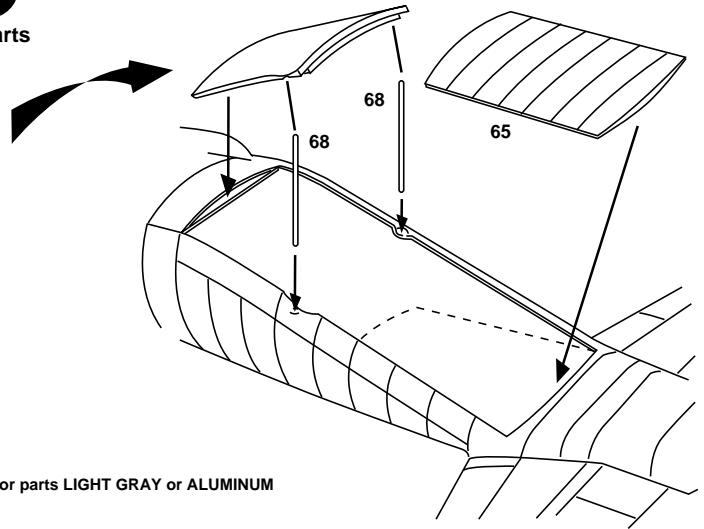
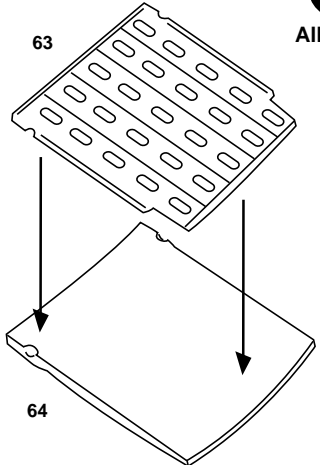
Strut / Hubs / Interior ALUMINUM
Wheels FLAT BLACK



13 CARGO HATCH

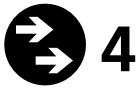


All Parts



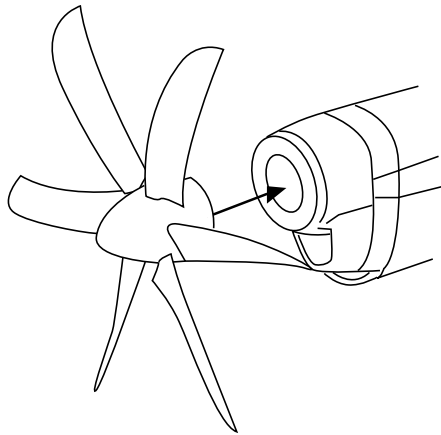
Interior parts LIGHT GRAY or ALUMINUM

14 PROPELLERS

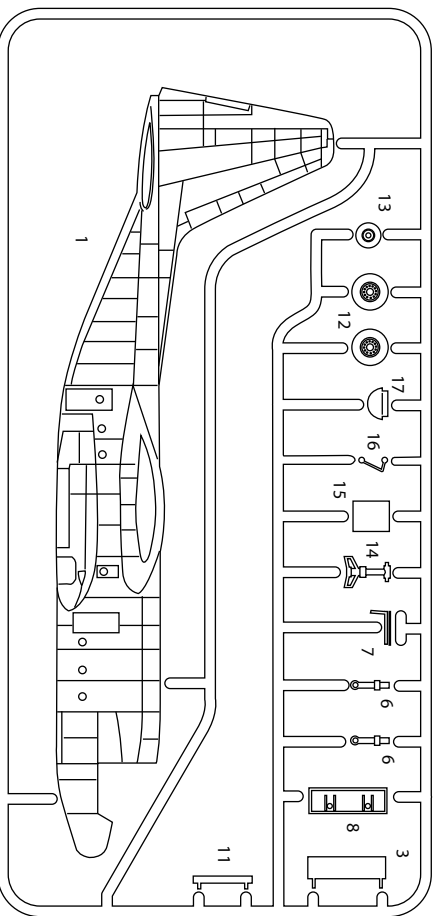


Hub / Blades FLAT BLACK

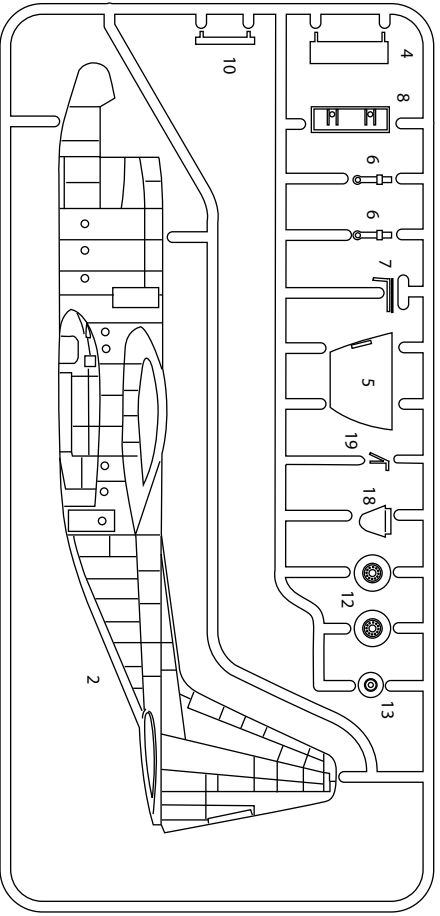
42



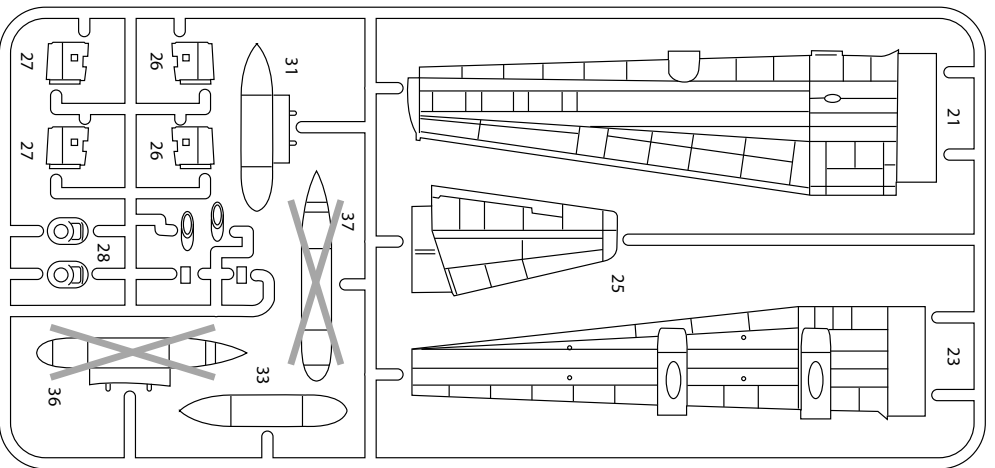
All Parts



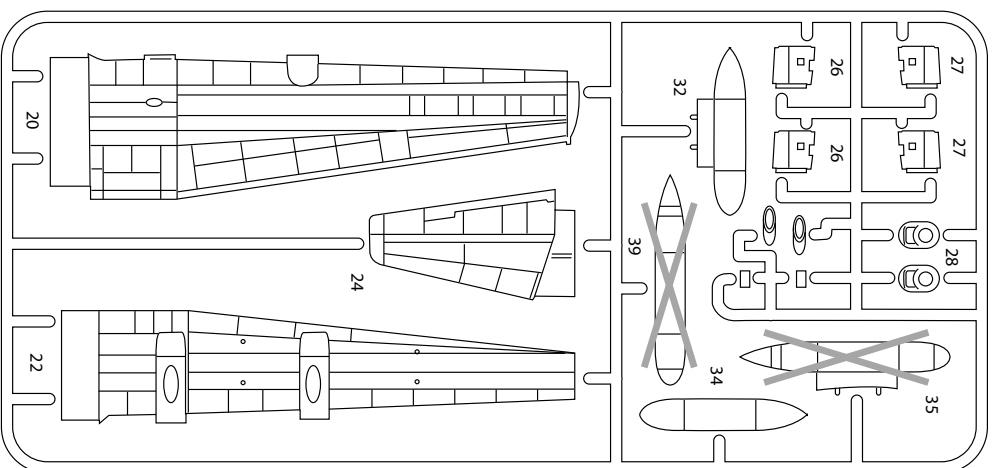
A. FUSELAGE PARTS SPRUES



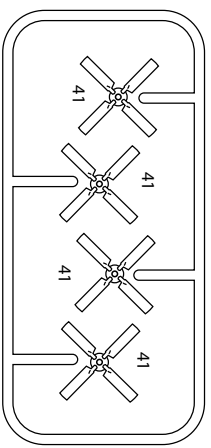
B. WING / ENGINE / TANK PARTS SPRUE



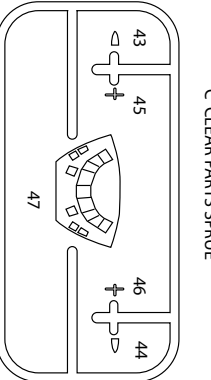
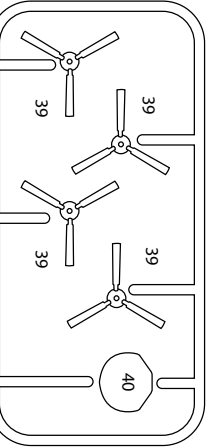
C. CLEAR PARTS SPRUE



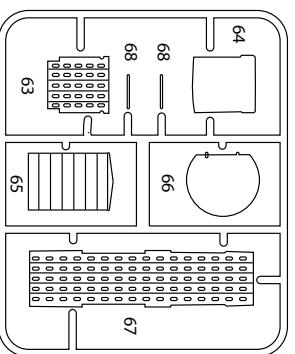
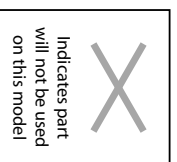
D. PROPELLER / ROMAN NOSE SPRUE



E. PROPELLER SPRUE



F. PROPELLER SPRUE




G. CLEAR PARTS SPRUE

- 

Cement
Coller
Kleben
Pegar
Incollare
Colar
Kleven
- 

DO NOT Cement
Ne pas Coller
Nicht Kleben
No Pegar
Non Incollare
Nao Colar
Niet Kleven
- 

Cut away
Couper
Scheiden
Cortar
Tagliere
Cortar
Snijden
- 

Optional parts
Choix
Auswahlmöglichkeit
Eleccion
Scelta
Opaco
Keuze
- 

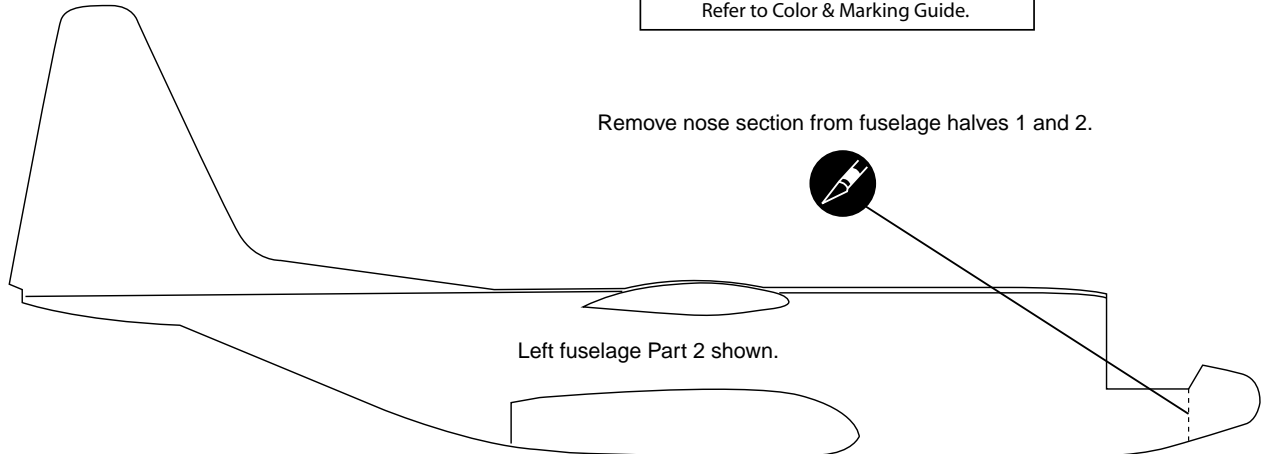
3
Repeat operation
Répétez l'opération
Vorgang wiederholen
Repitir la operacion
Ripetere
Repitir a operacao
Herhalen
- 

Symmetrical assembly
- 

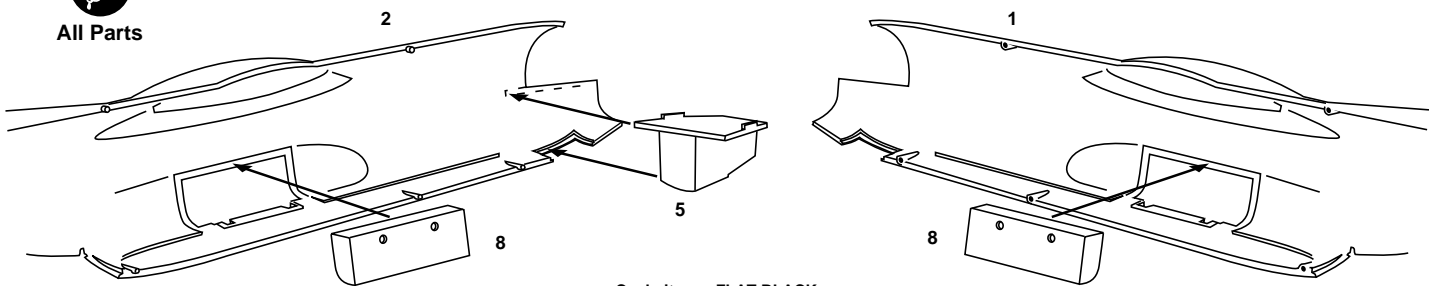
Drill hole

1 FUSELAGE NOSE SECTION

NOTE
This Step applies ONLY to the Missouri
Air National Guard version.
Refer to Color & Marking Guide.

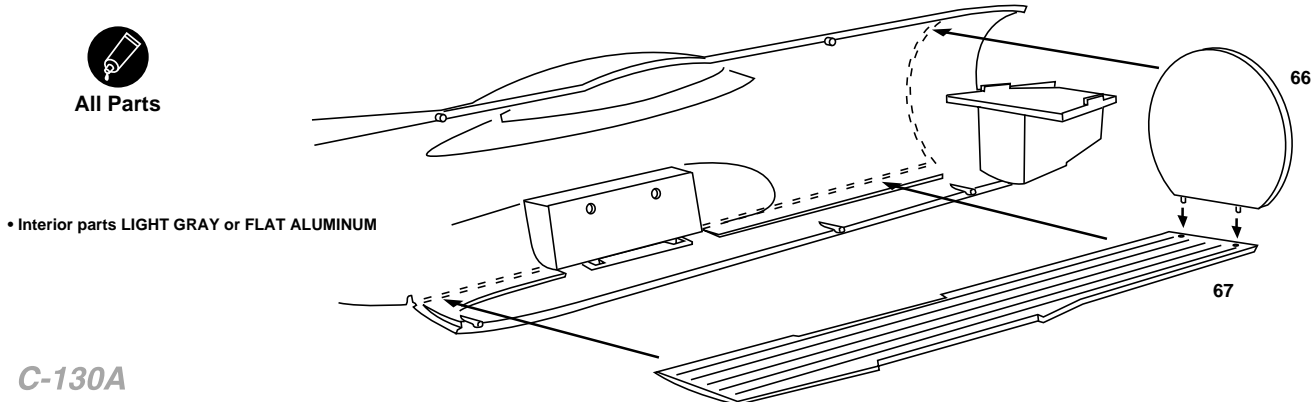


2 WHEEL WELLS



• Cockpit area **FLAT BLACK**
or **LIGHT GRAY**

3 INTERIOR ASSEMBLY

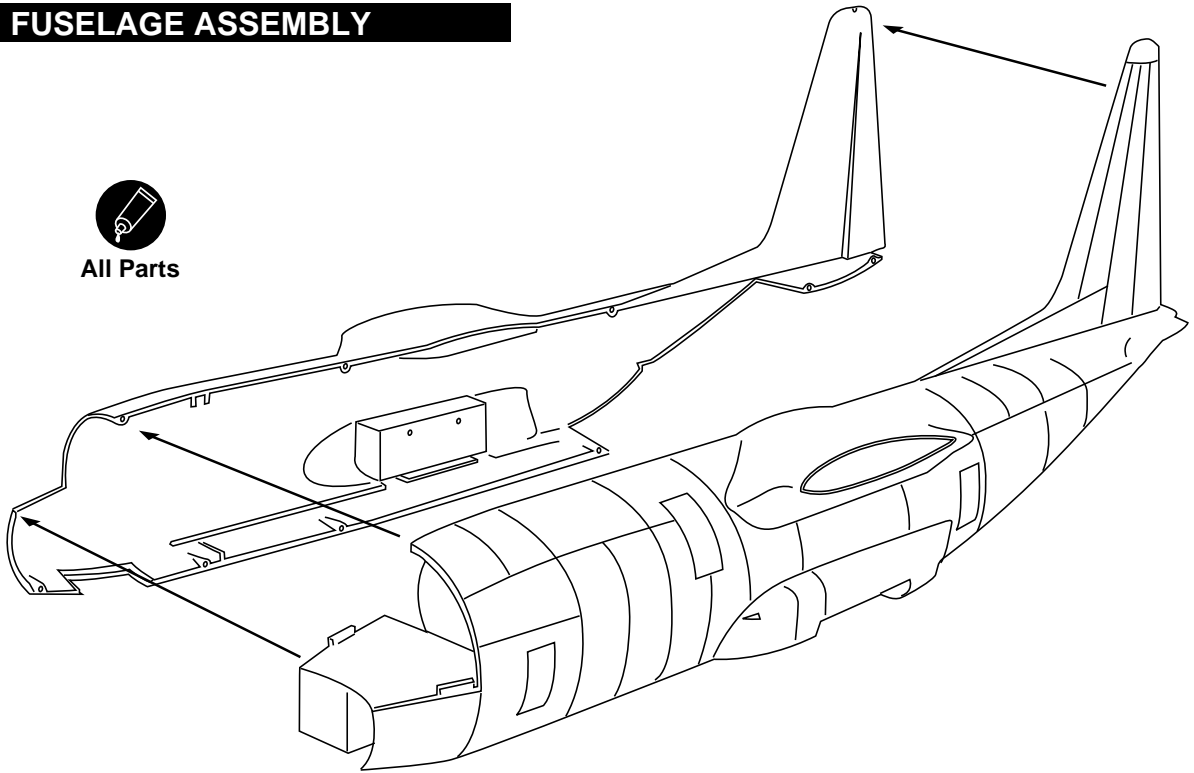


• Interior parts **LIGHT GRAY** or **FLAT ALUMINUM**

4 FUSELAGE ASSEMBLY



All Parts

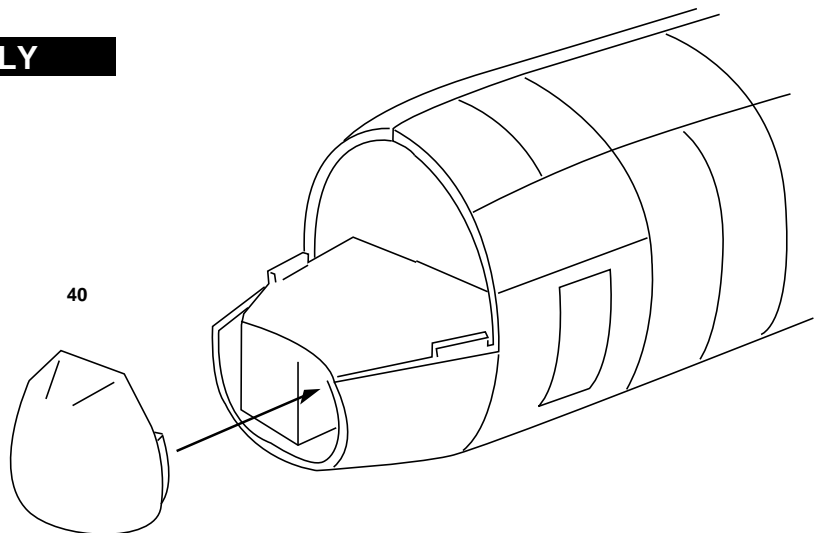


5 'ROMAN' NOSE ASSEMBLY



All Parts

NOTE
This Step applies ONLY to the Missouri
Air National Guard version.
Refer to Color & Marking Guide.



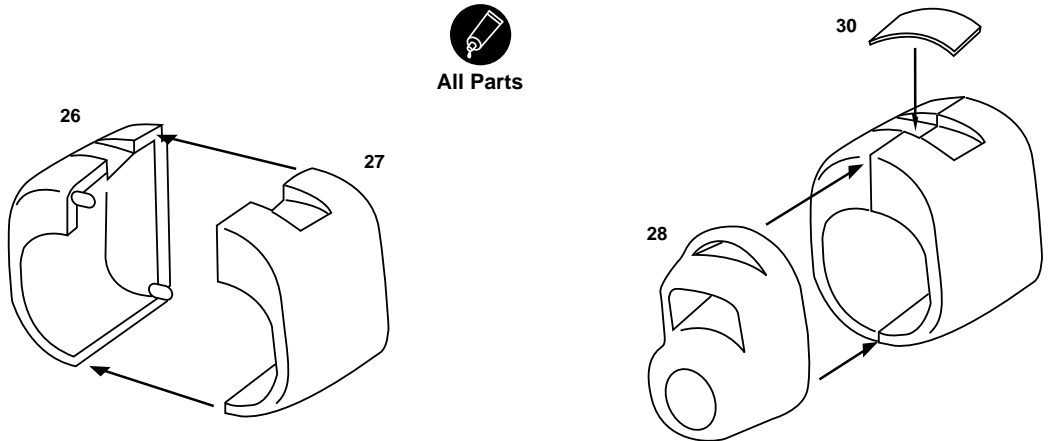
6 NACELLE ASSEMBLY



4



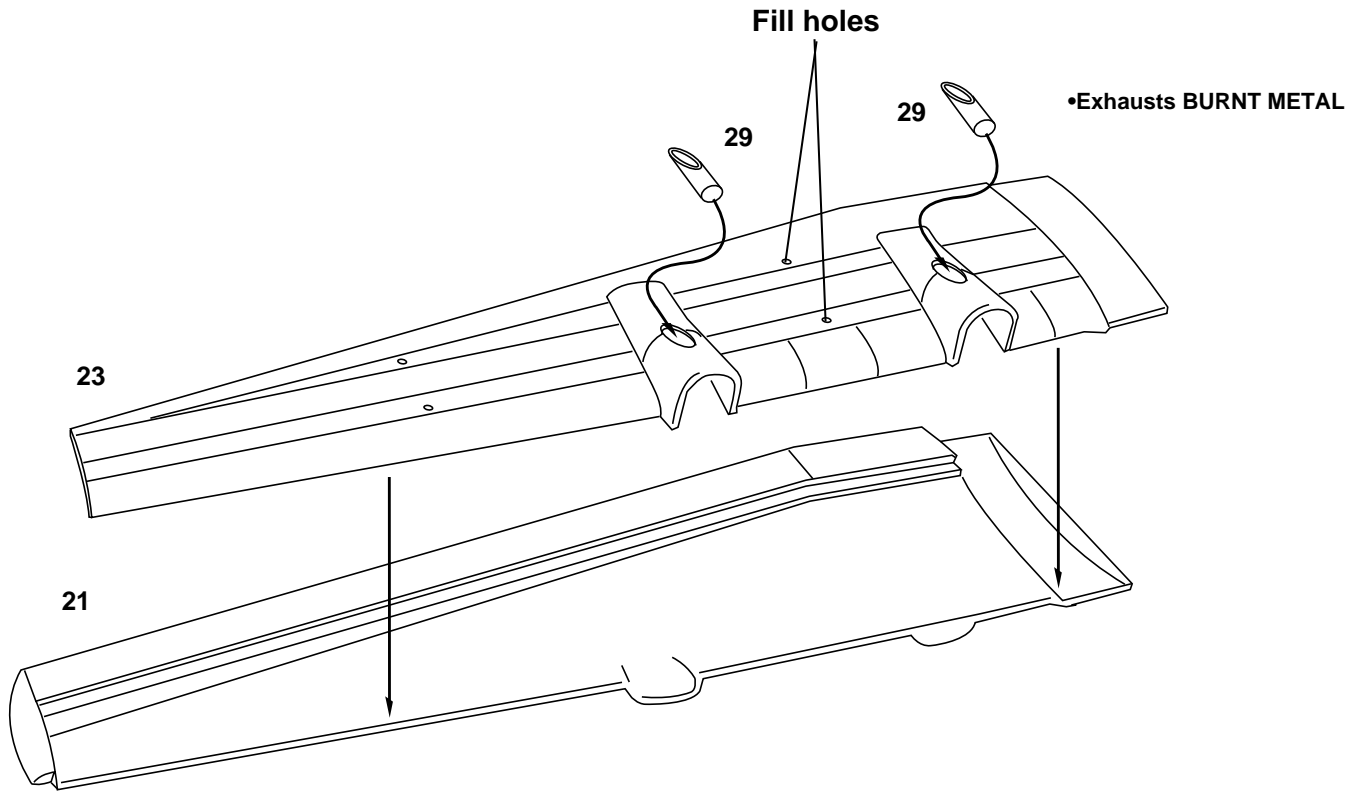
All Parts



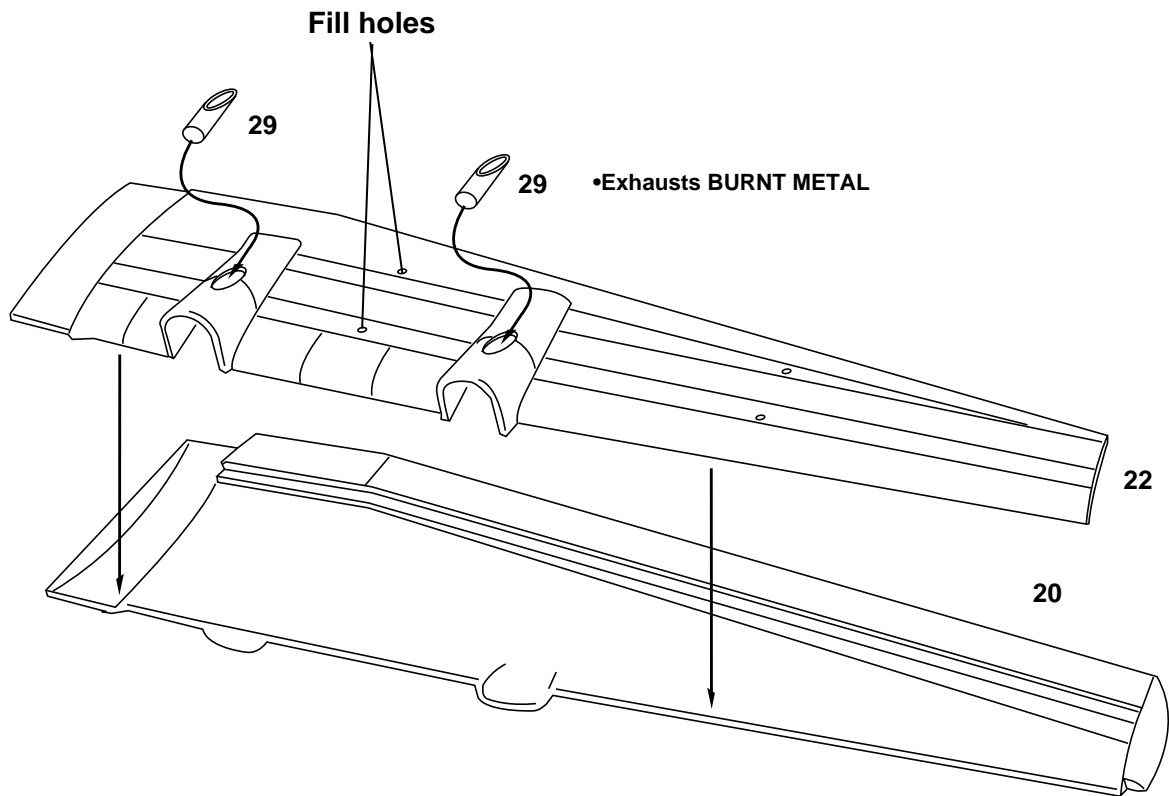
C-130A

NOTE - Parts are shown upside down for clarity.

7 WING / EXHAUST ASSEMBLY

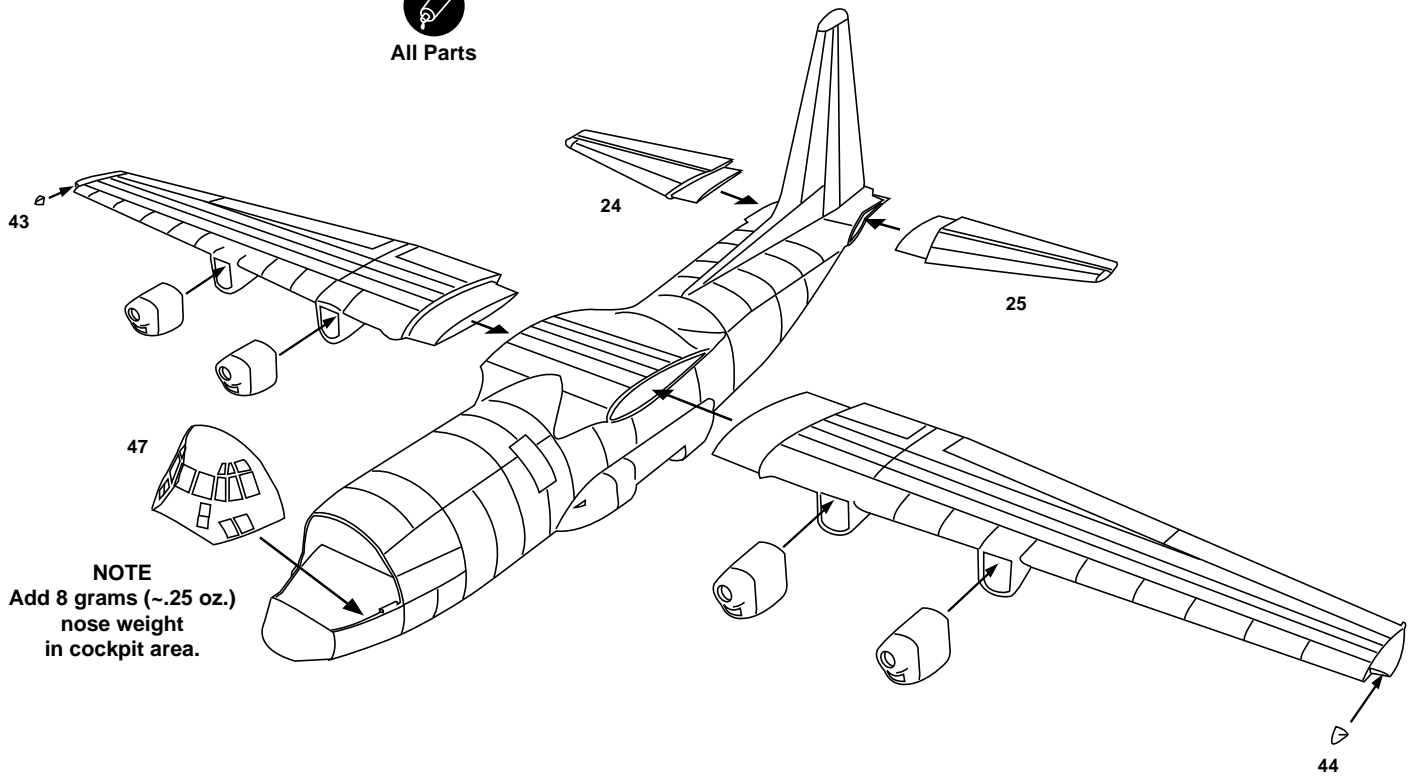


NOTE - Parts are shown upside down.

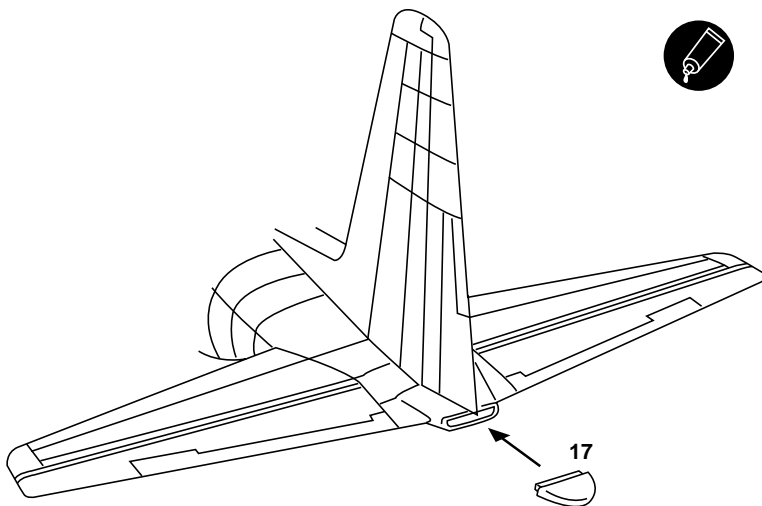


8 MAIN ASSEMBLY

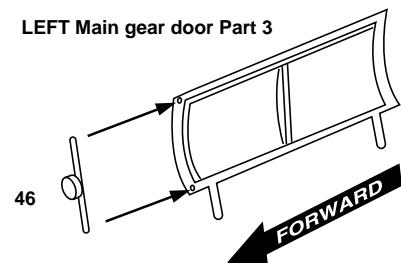
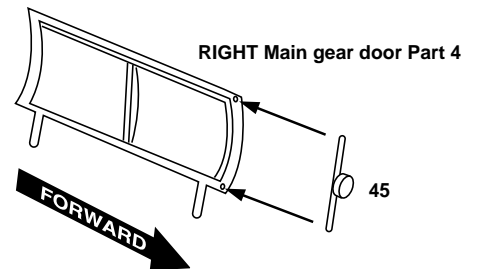
Some parts not shown for clarity



9 BEAVER TAIL

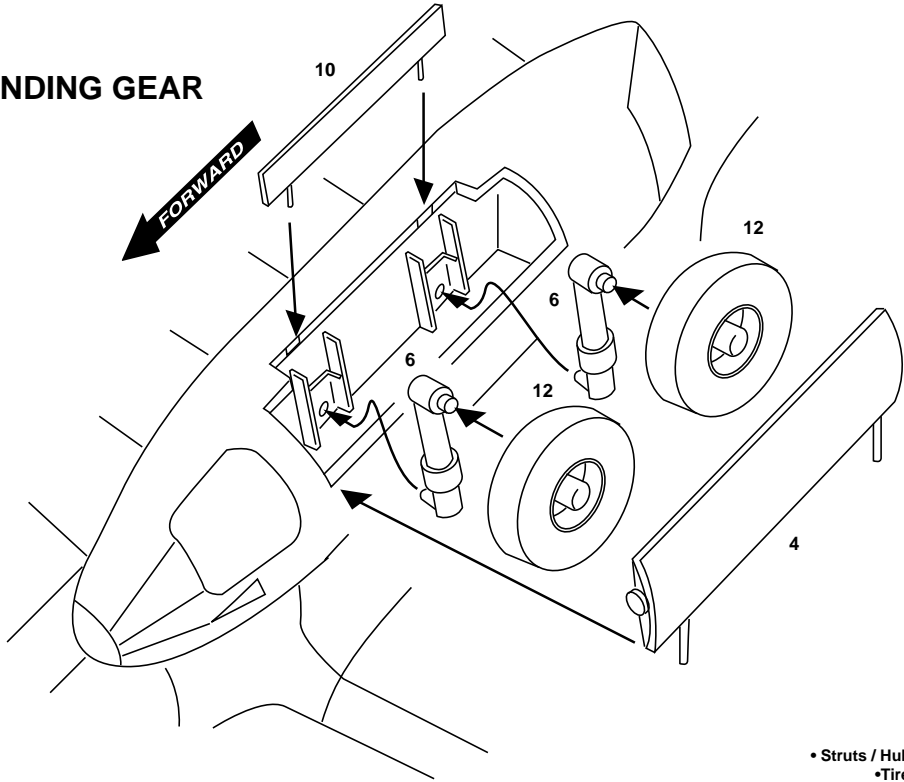


10 LANDING LIGHTS



11 MAIN LANDING GEAR

RIGHT MAIN LANDING GEAR

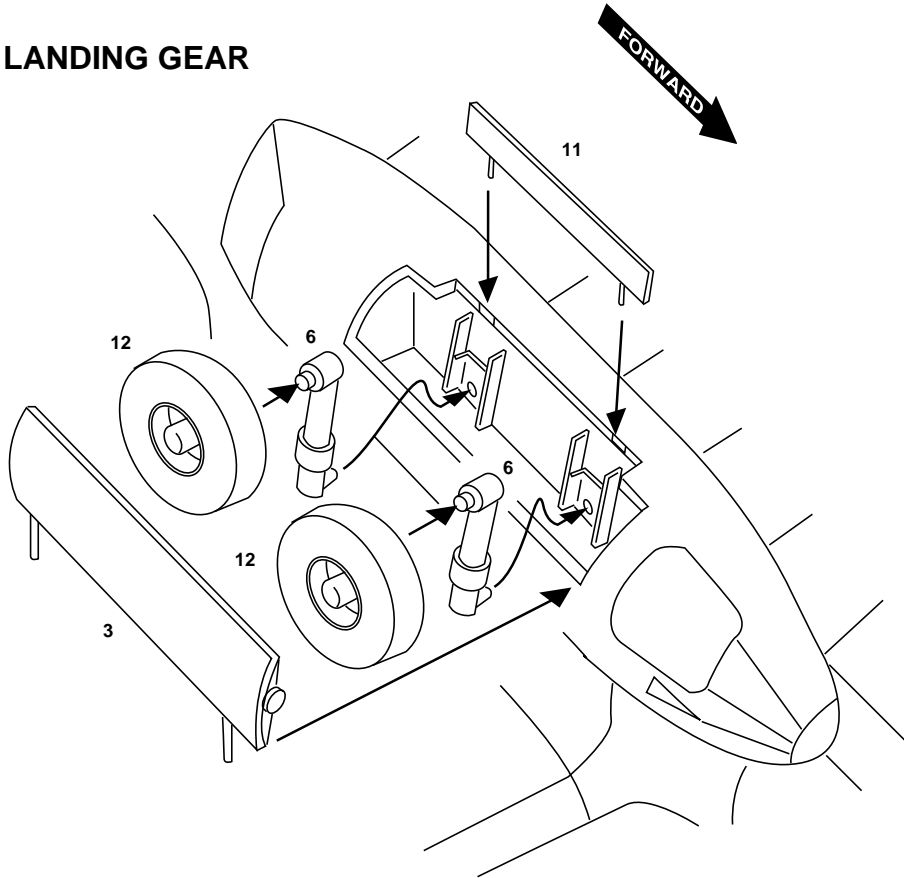


- Struts / Hubs / Interiors ALUMINUM
- Tires FLAT BLACK

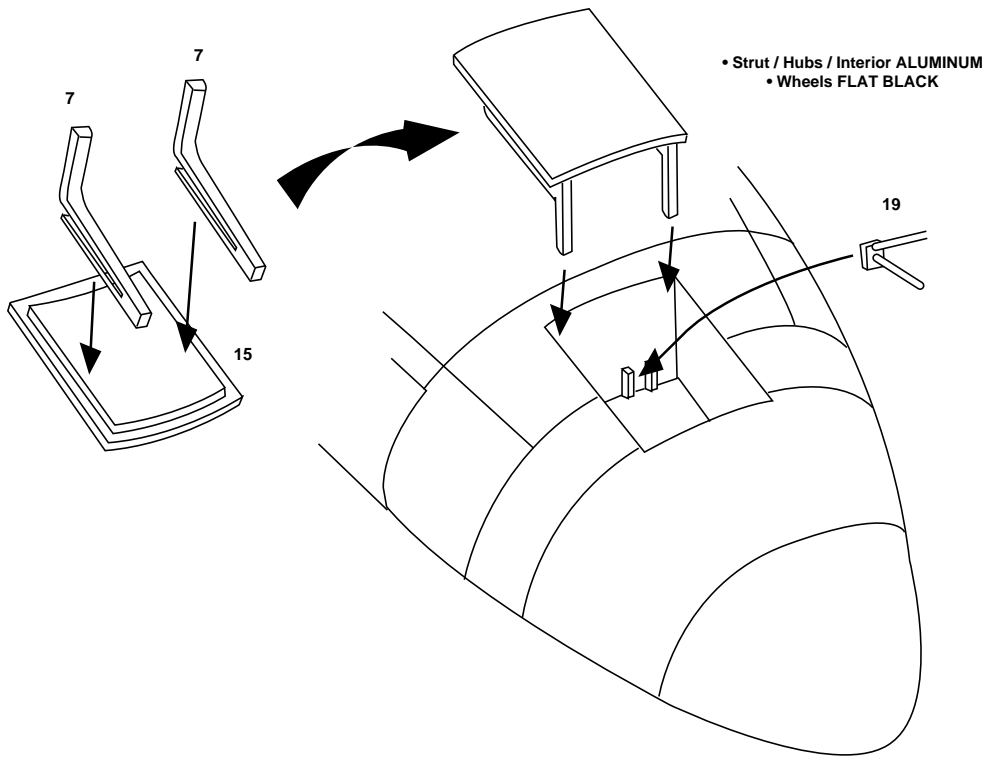


All Parts

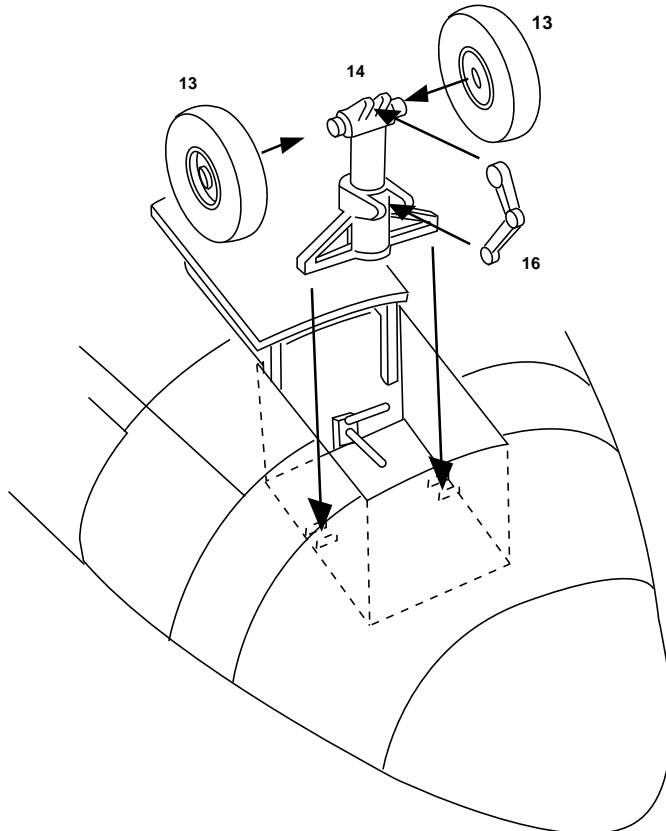
LEFT MAIN LANDING GEAR



12 NOSE LANDING GEAR



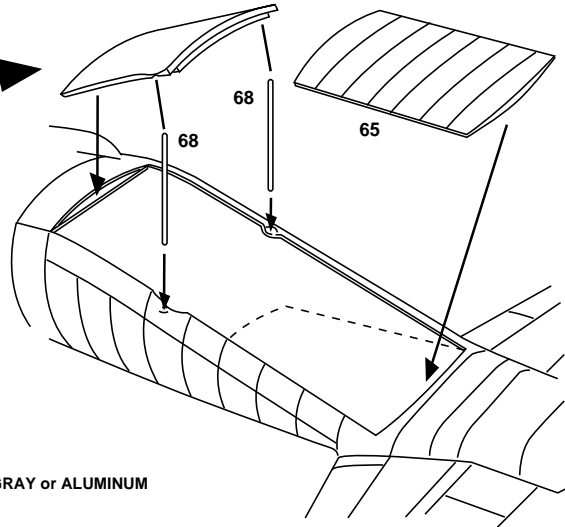
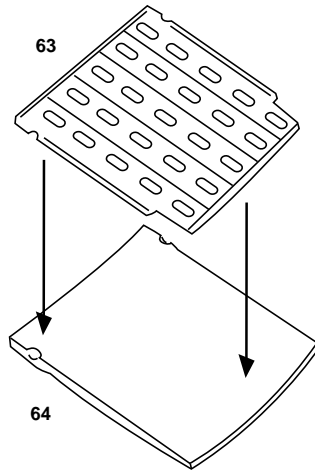

All Parts



13 CARGO HATCH



All Parts



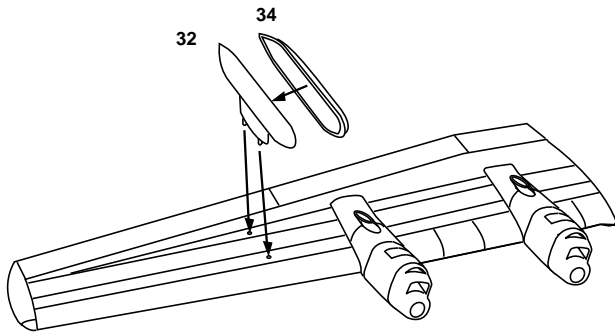
• Interior parts LIGHT GRAY or ALUMINUM

14 EXTERNAL FUEL TANKS

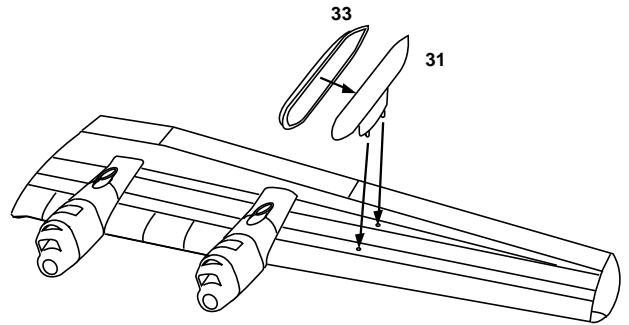
LEFT WING



All Parts



RIGHT WING



NOTE - Parts are shown upside down.

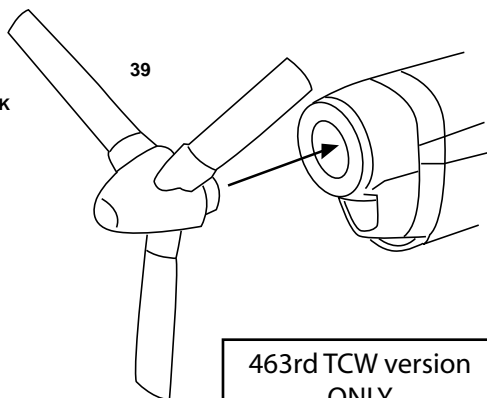
15 PROPELLERS



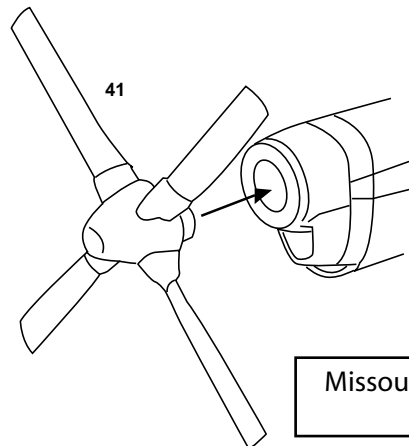
•Hub / Blades FLAT BLACK



All Parts

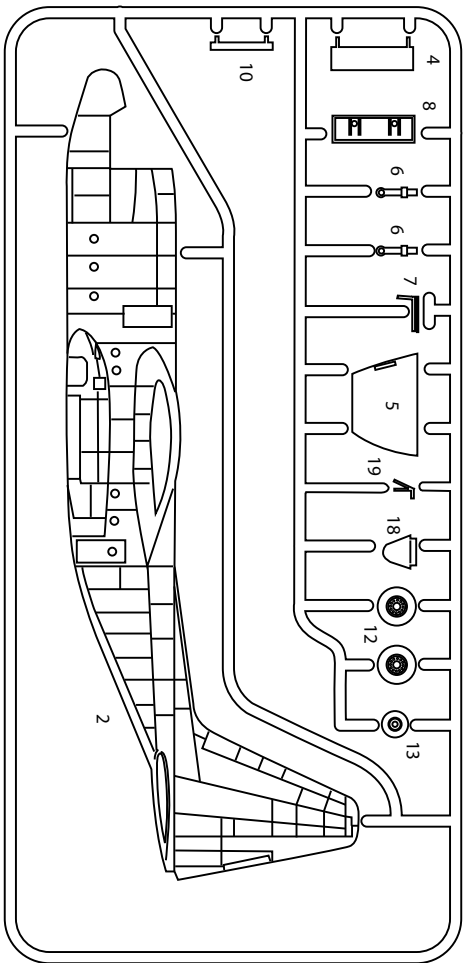
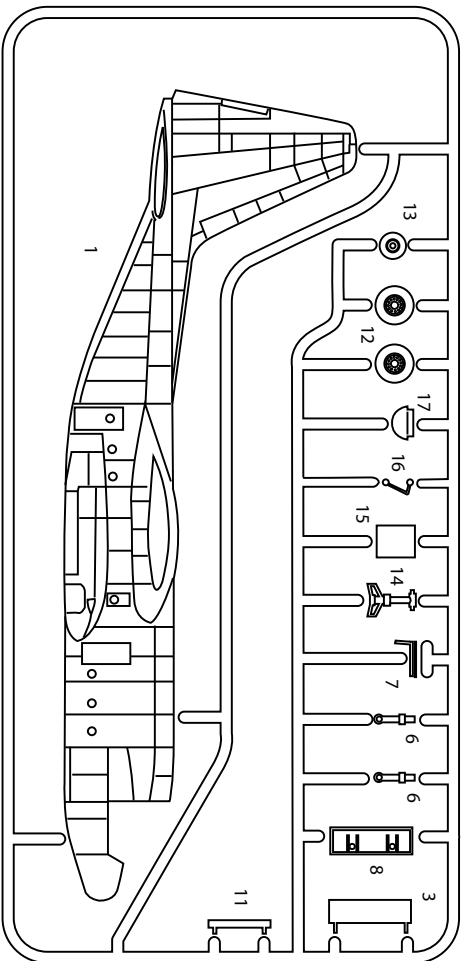


463rd TCW version
ONLY

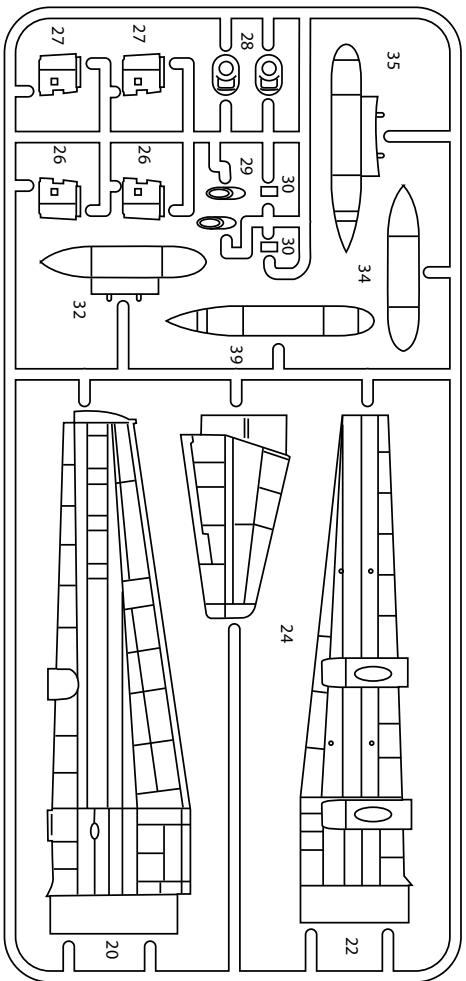
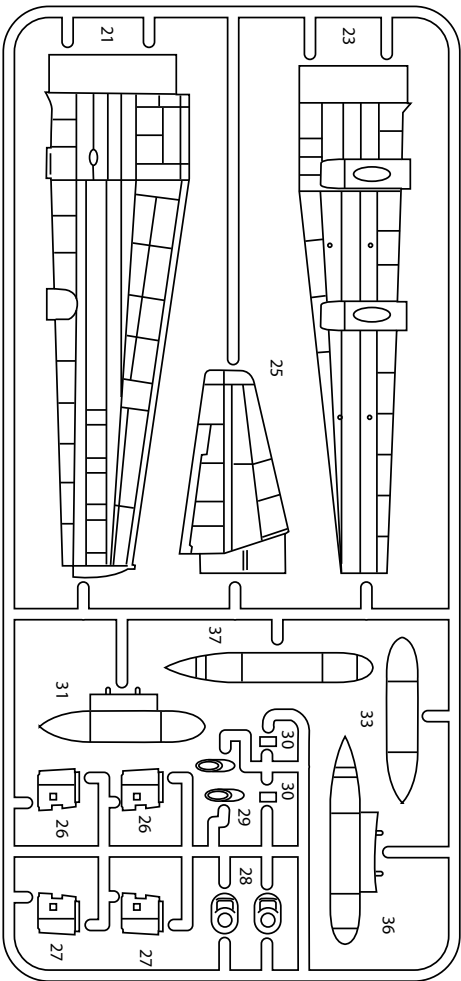


Missouri ANG version
ONLY

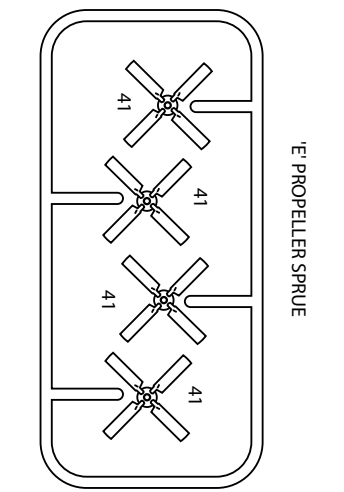
'A' FUSELAGE PARTS SPRUES



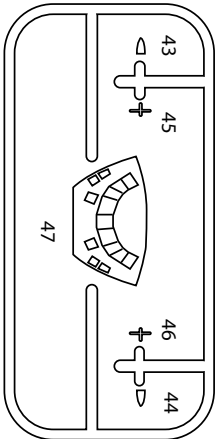
'B' WING / ENGINE / TANK PARTS SPRUE



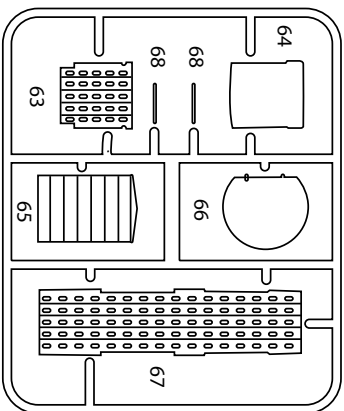
INTERIOR PARTS SPRUE



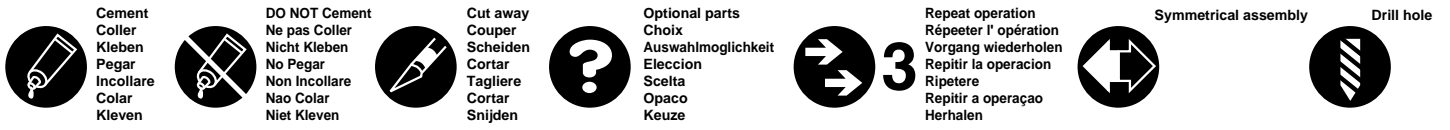
'E' PROPELLER SPRUE



'C' CLEAR PARTS SPRUE



INTERIOR PARTS SPRUE

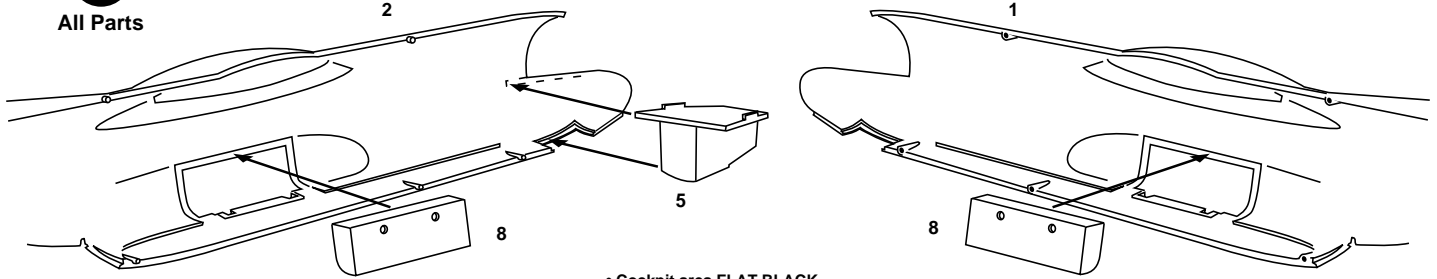


1 WHEEL WELLS

2 • Left (Port) Fuselage / fuselage gauche / linker rumpf
 1 • Right (Starboard) Fuselage / fuselage droite / richtiger rumpf
 5/8 • Wheel well / pousser bien / drehen sie gut



All Parts



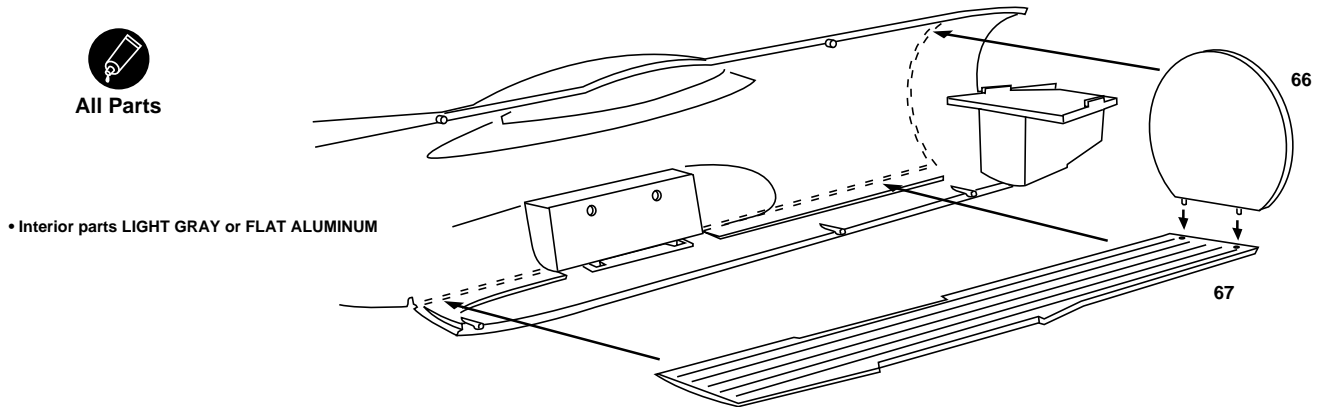
• Cockpit area **FLAT BLACK**
 or **LIGHT GRAY**

2 INTERIOR ASSEMBLY

66/67 • Interior parts / L'interieur separe / inneres trennt



All Parts

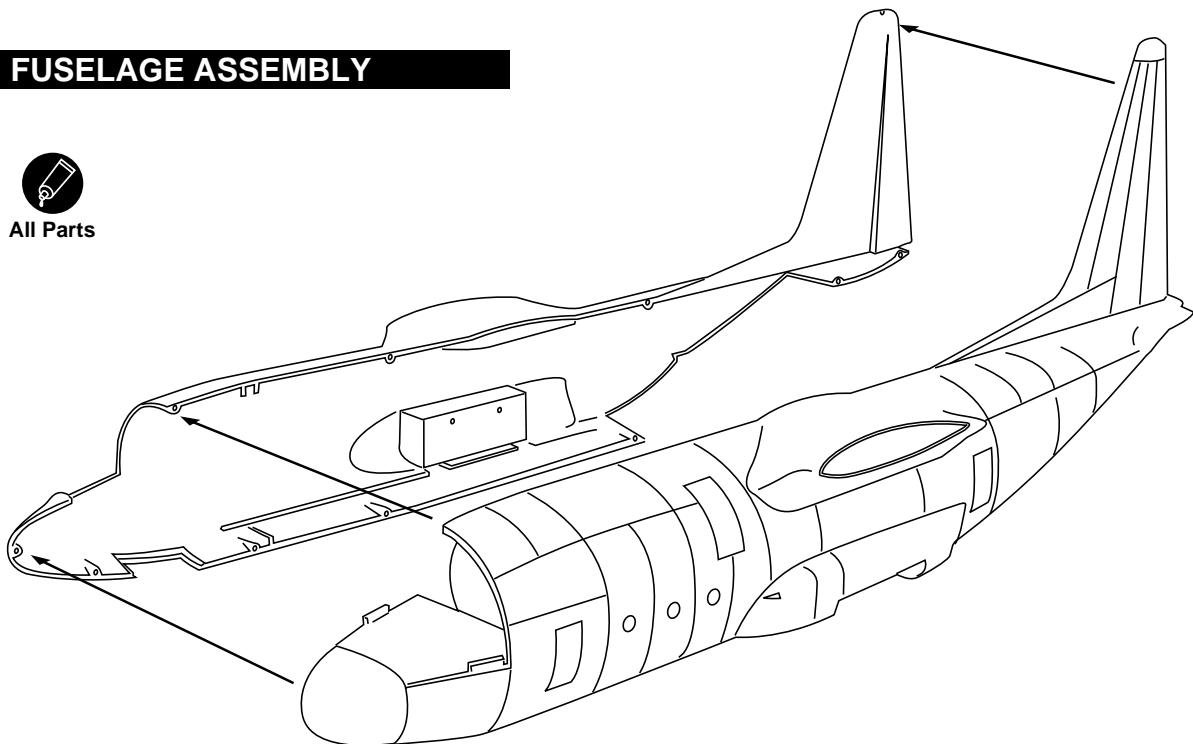


• Interior parts **LIGHT GRAY** or **FLAT ALUMINUM**

3 FUSELAGE ASSEMBLY

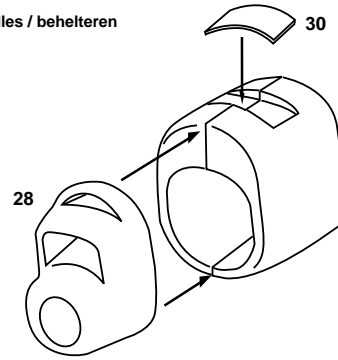
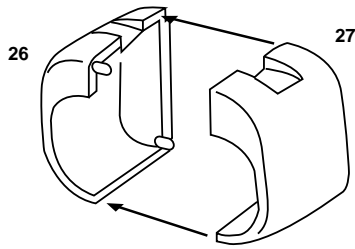
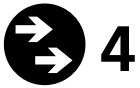


All Parts



4 NACELLE ASSEMBLY

26/27/28 • Engine Nacelles / nacelles / behälter
30 • Flap / rabat / klappe

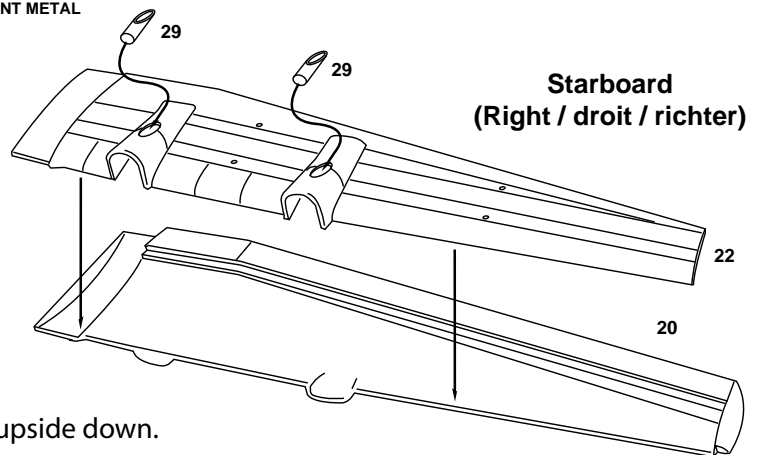
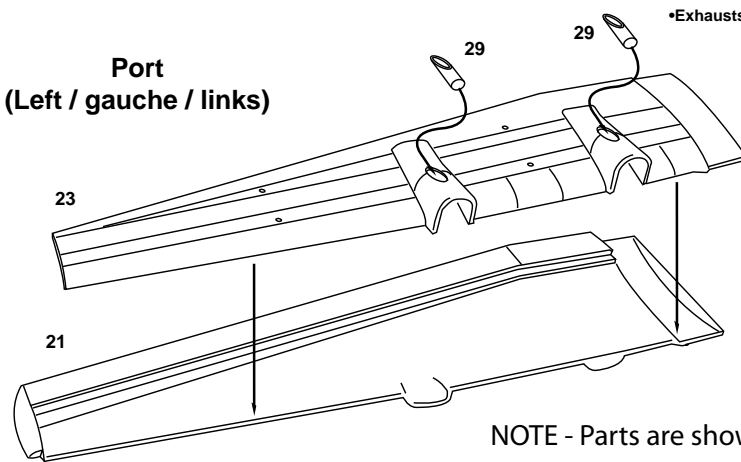


NOTE - Parts are shown upside down for clarity.

5 WING / EXHAUST ASSEMBLY

21 • Left (Port) Upper Wing / supérieur aile gauche / linker oberen flügel
23 • Left (Port) Lower Wing / bas aile gauche / linker läßt flügel
29 • Exhaust / échappement / auspumpen

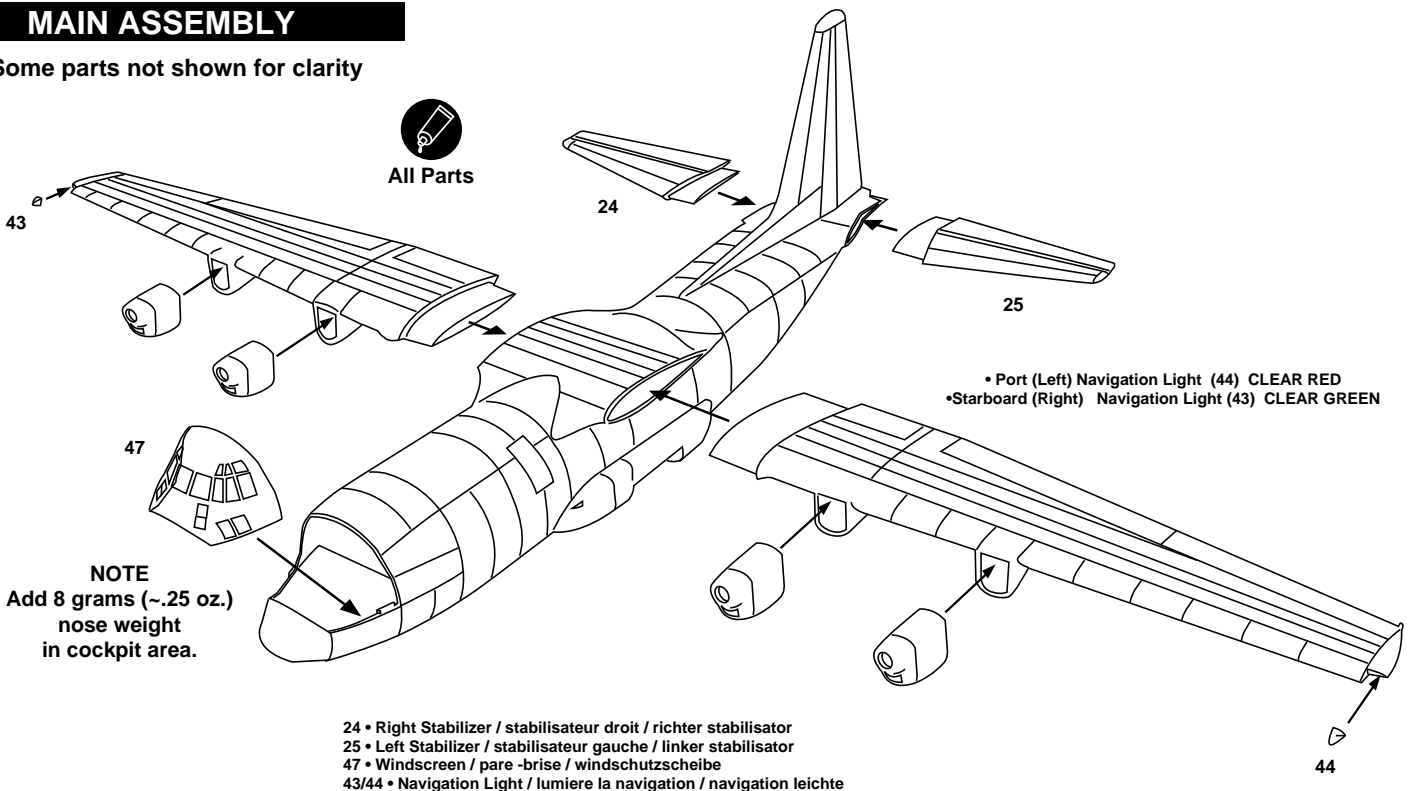
20 • Right (Starboard) Upper Wing / supérieur aile droit / richter oberen flügel
22 • Right (Starboard) Lower Wing / bas aile droit / richter läßt flügel
29 • Exhaust / échappement / auspumpen



NOTE - Parts are shown upside down.

6 MAIN ASSEMBLY

Some parts not shown for clarity



NOTE
Add 8 grams (~.25 oz.)
nose weight
in cockpit area.

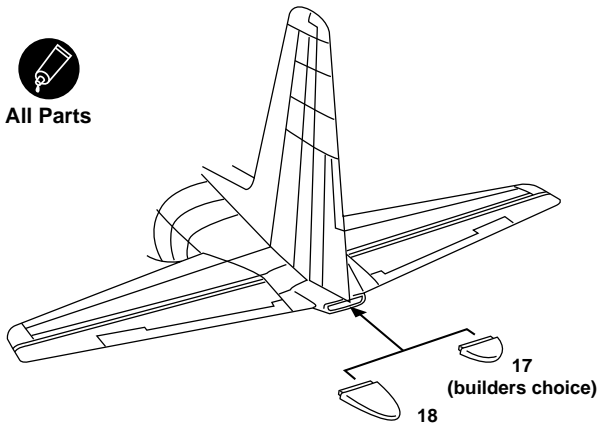
24 • Right Stabilizer / stabilisateur droit / richter stabilisator
25 • Left Stabilizer / stabilisateur gauche / linker stabilisator
47 • Windscreen / pare-brise / windschutzscheibe
43/44 • Navigation Light / lumière la navigation / navigation leuchte

7 BEAVER TAIL

17/18 • Tail / queue / schwanz



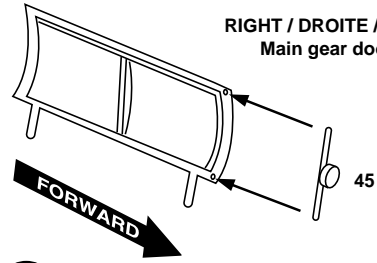
All Parts



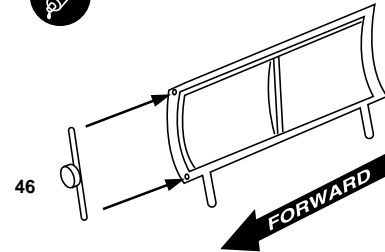
8 LANDING LIGHTS

45 • Landing light / l'atterrissage allume /
landung anzünden

RIGHT / DROITE / RICHTIGER
Main gear door Part 4



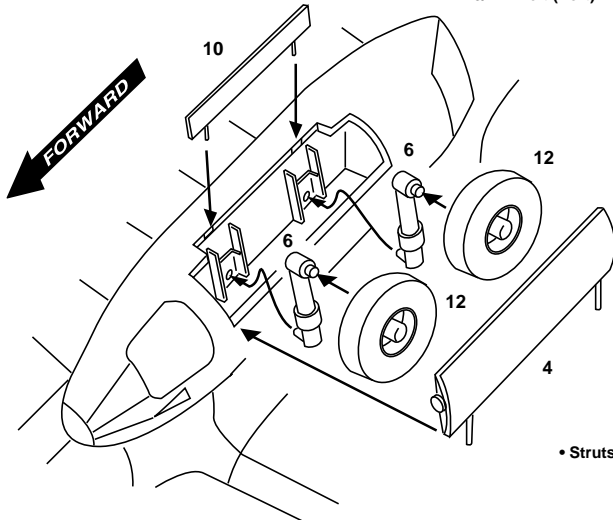
LEFT / GAUCHE / LINKER
Main gear door Part 3



9 MAIN LANDING GEAR

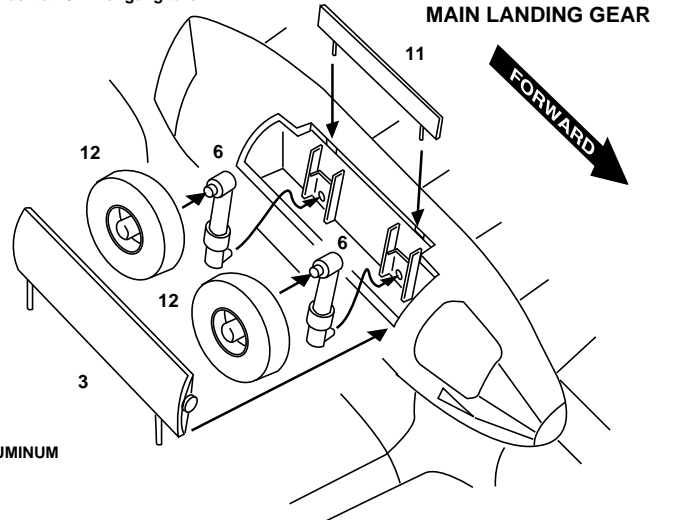
6 • Right (Starboard) Main Gear Strut / entretoise principal droit / richter hauptlandung strut
12 • Mainwheel / roue principale / hauptrad
4/10 • Right (Starboard) Main Gear Door / trappe de train / richter gang türen

RIGHT / DROITE / RICHTIGER
MAIN LANDING GEAR



6 • Left (Port) Main Gear Strut / entretoise principal gauche / linker hauptlandung strut
12 • Mainwheel / roue principale / hauptrad
3/11 • Left (Port) Main Gear Door / trappe de train / linker gang türen

LEFT / GAUCHE / LINKER
MAIN LANDING GEAR



All Parts

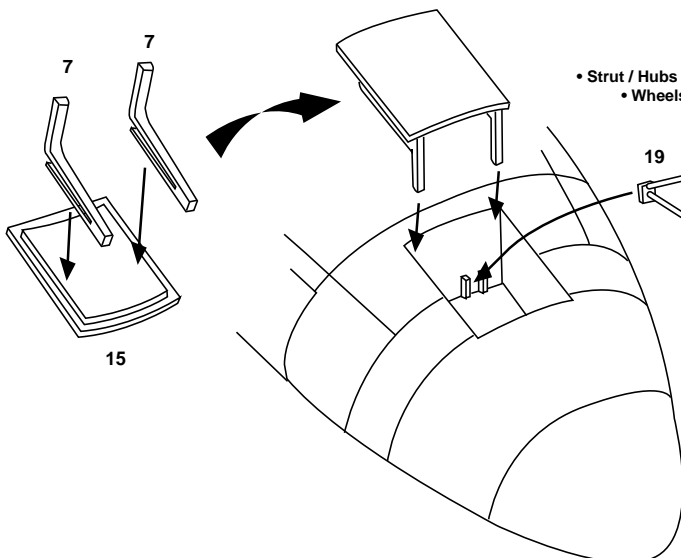
• Struts / Hubs / Interiors ALUMINUM
• Tires FLAT BLACK

10 NOSE LANDING GEAR

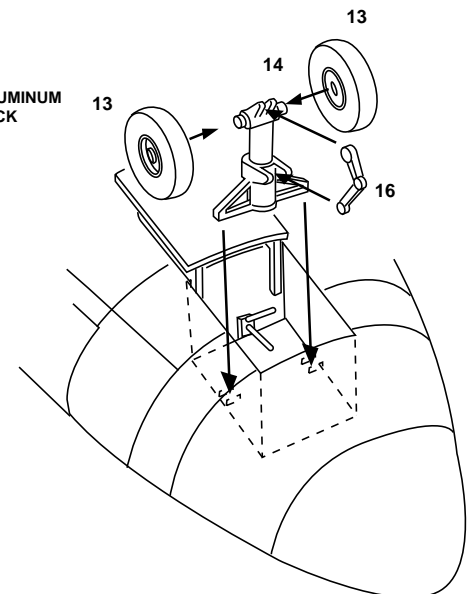
14 • Nose gear strut / train d'atterrissage avant / nase gang strut
13 • Nosewheel / roulette de nez / nase rad
7/15 • Nose gear doors / trappe de train / nase gang tür
16 • Scissors / ciseaux / schere
19 • Strut / entretoise / strut



All Parts

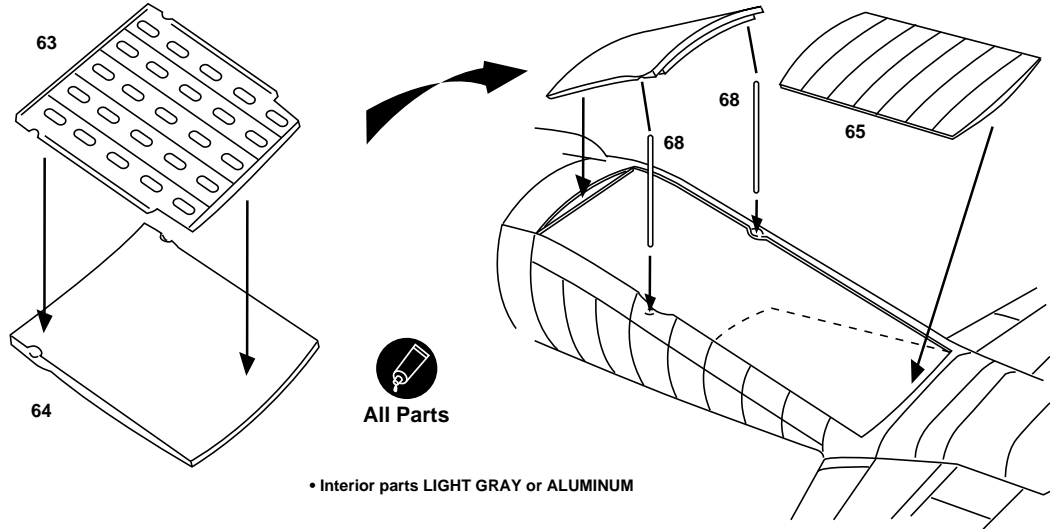


• Strut / Hubs / Interior ALUMINUM
• Wheels FLAT BLACK



11 CARGO HATCH

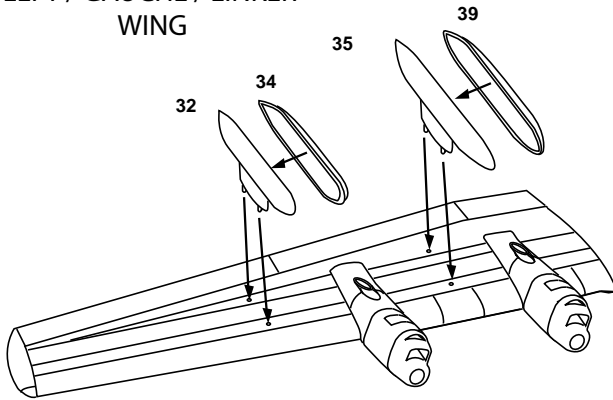
63/64/65 • Cargo hatch / couvée de cargaison / frachthalbtür
68 • Strut / entretoise / strut



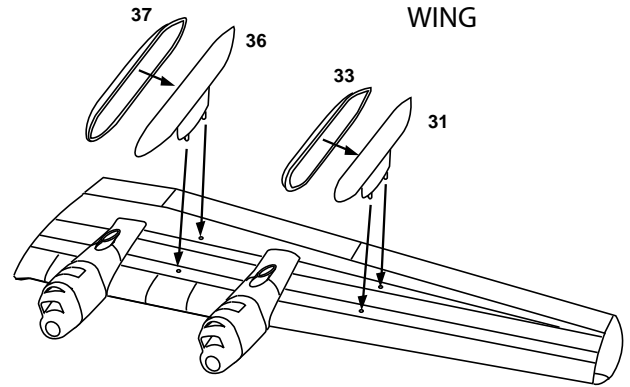
12 EXTERNAL FUEL TANKS

31/32/33/34/35/36/37/39 Fuel tank / alimenter le reservoir / tank

LEFT / GAUCHE / LINKER
WING



RIGHT / DROITE / RICHTIGER
WING

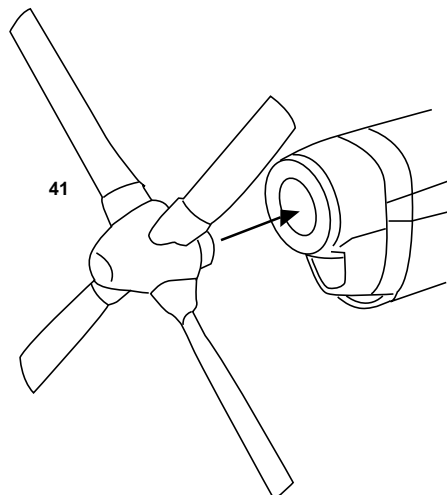


NOTE - Parts are shown upside down.

13 PROPELLERS

41 • Propeller / helice / propeller

4



All Parts