

1/72 SCALE

M.S.406 Fighter



EASY ASSEMBLY AUTHENTIC KIT



cyanoacrylate glue
強力胶



weight
配重



make hole
钻孔



cut / remove
切除



option
选择



no cement
不涂胶水



decal
贴纸



bend
弯曲

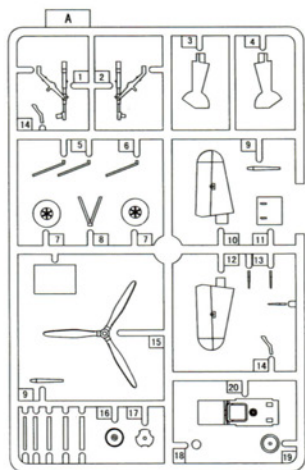
The way to apply the decals

1. Cut off the decal from the decal paper and put it into the warm water 40°C for 10 seconds.
2. Take the decal from the water and put it on a piece of clean cloth.
3. Remove the decal slowly from the paper to the targeted location by a wet finger.
4. Use a piece of dry and soft cloth to press it gently on the decal until it getting dry and no bubble existing.

水贴纸的使用方法:

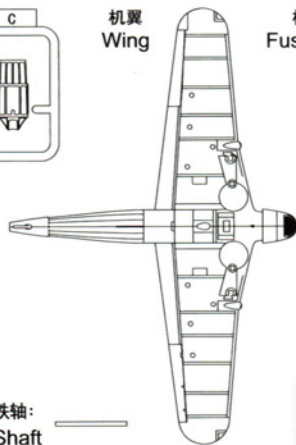
- 一. 把相关的印花从水贴纸上剪下, 放入40°C左右的温水中浸10秒。
- 二. 然后将印花放在干净的布上。
- 三. 拿上印花纸, 手指蘸水将印花移到适当的位置。
- 四. 用软干布轻压印花直至水干, 气泡消失。

80235



机翼
Wing

机身
Fuselage



水贴
Decal

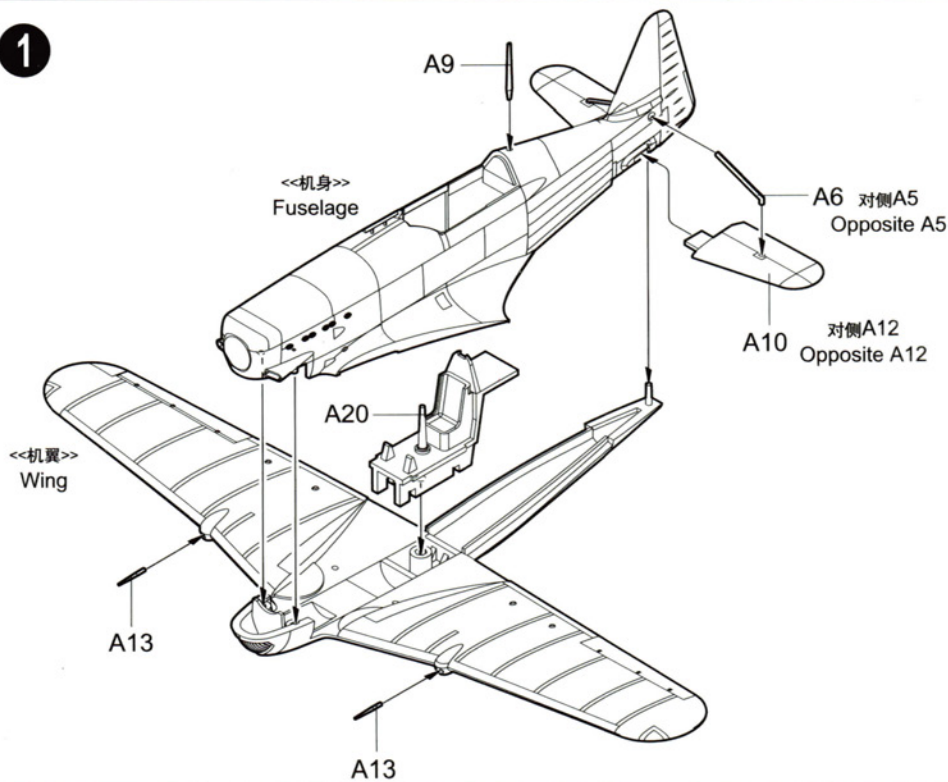


铁轴:
Shaft

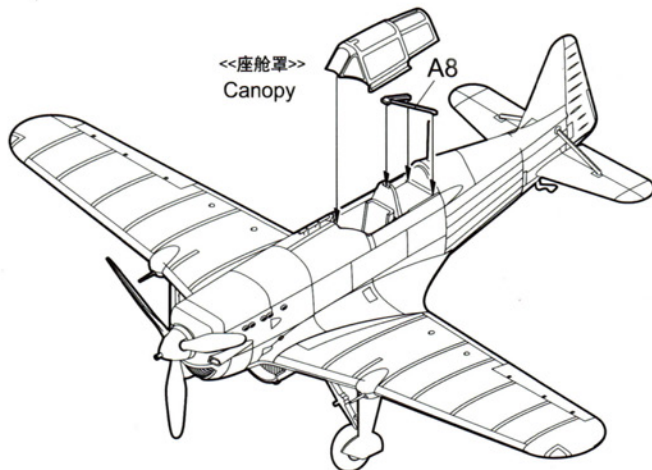
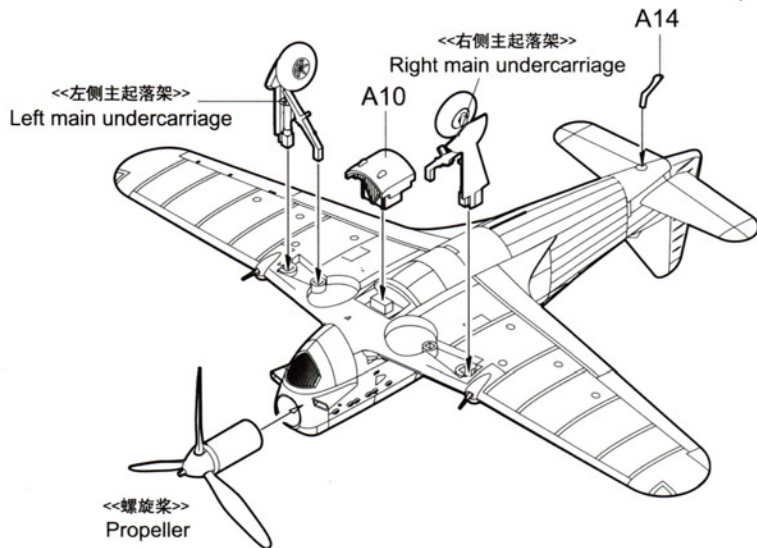
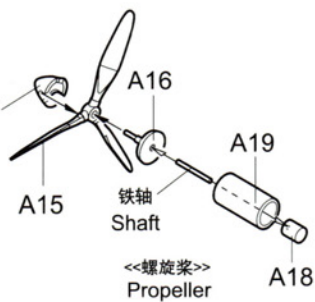
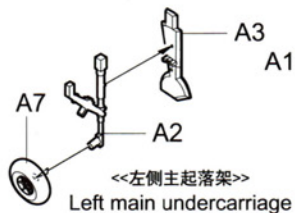
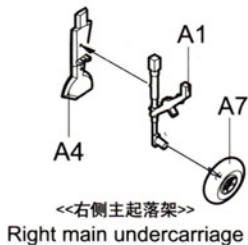


部品图 Parts

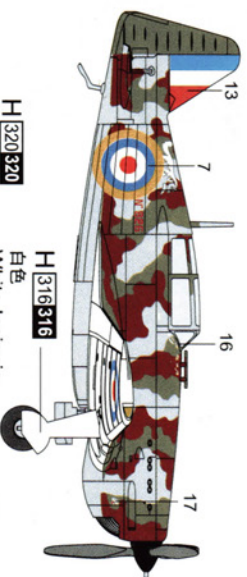
1



2



M.S.406 N° 826 (AX674)
Haifa, September 1940.



H [320 320]
深松叶色
Dark Green

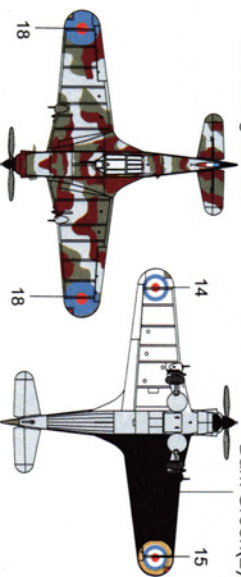
H [316 316]
白色
White Insignia



H [117 117]
浅兰色
Rim/6 Light Blue

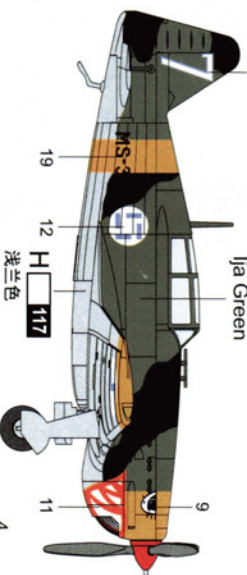
H [47 41]
红棕色
Red Brown

H [73 23]
墨绿色
Dark Green(2)

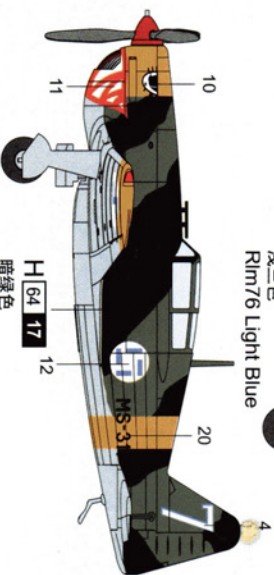


Finland Air Force.

H [60 16]
浓绿(2)
Ija Green



H [117 117]
浅兰色
Rim/6 Light Blue



H [64 17]
暗绿色
RLM71 Dark Green

