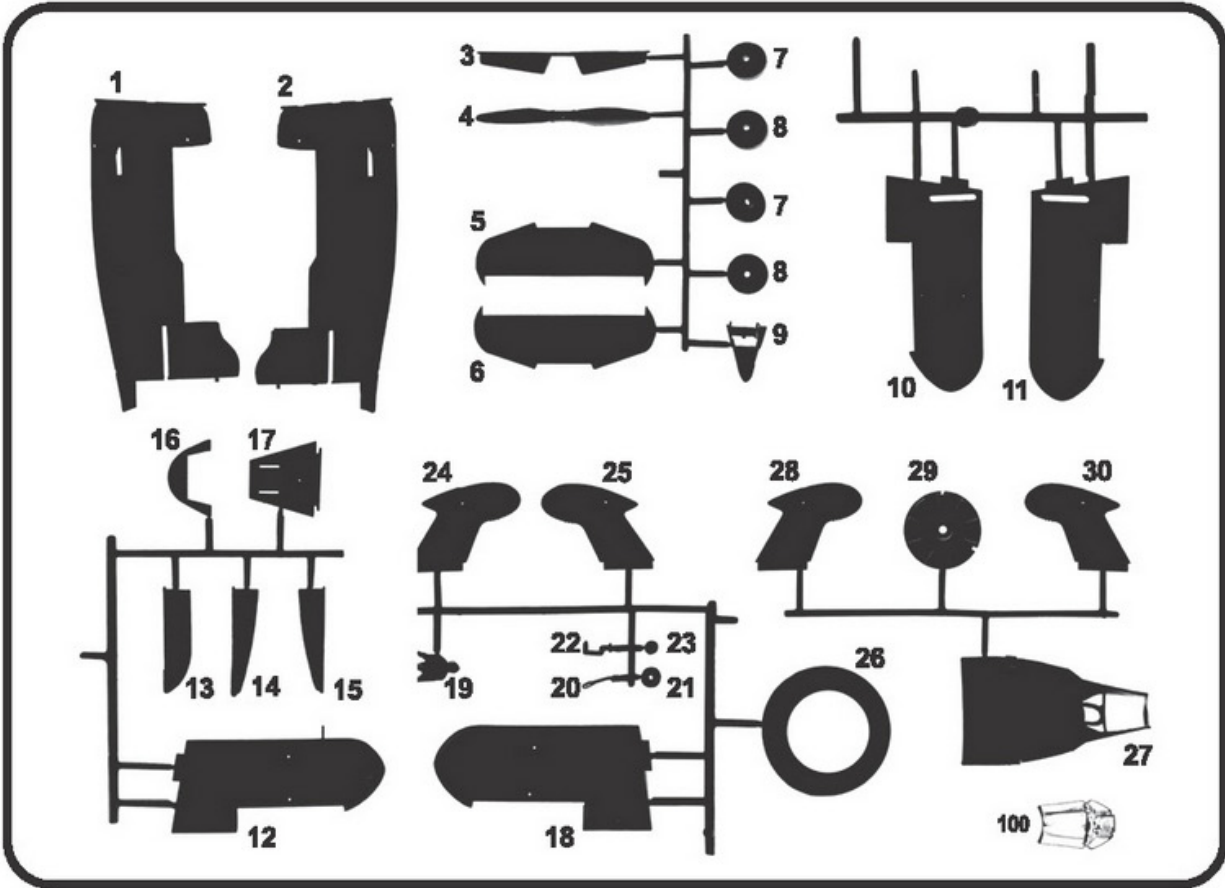


SKILL LEVEL 3
AGES 13
 HL515/12



"Your thirst takes wings"

• 1930s •
GEE BEE
 • RACER •
 1:32 SCALE MODEL KIT



KEY TO SYMBOLS

- PART NUMBER
- CHROME PART
- REPEAT STEPS FOR OTHER SIDE
- DO NOT CEMENT
- A** PAINTING CODE
- SHOWN UP/SIDE DOWN
- ORGAL

Round 2, LLC.
 4873 Meghan Beeler Court
 South Bend, IN 46828

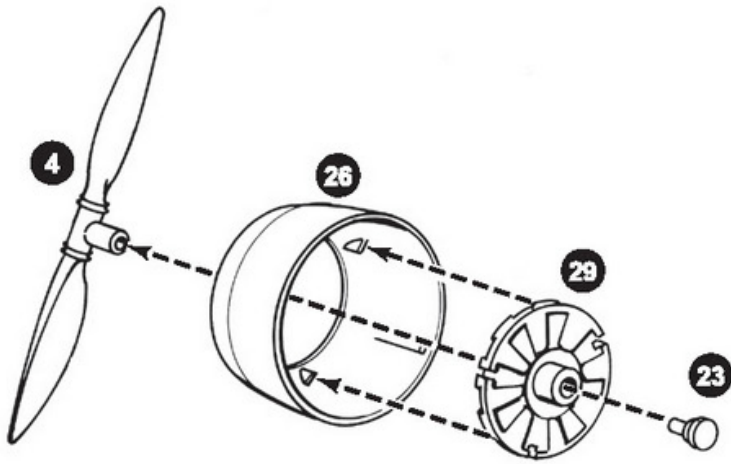
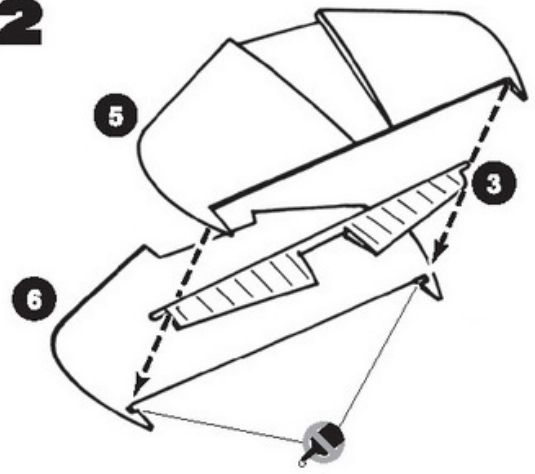
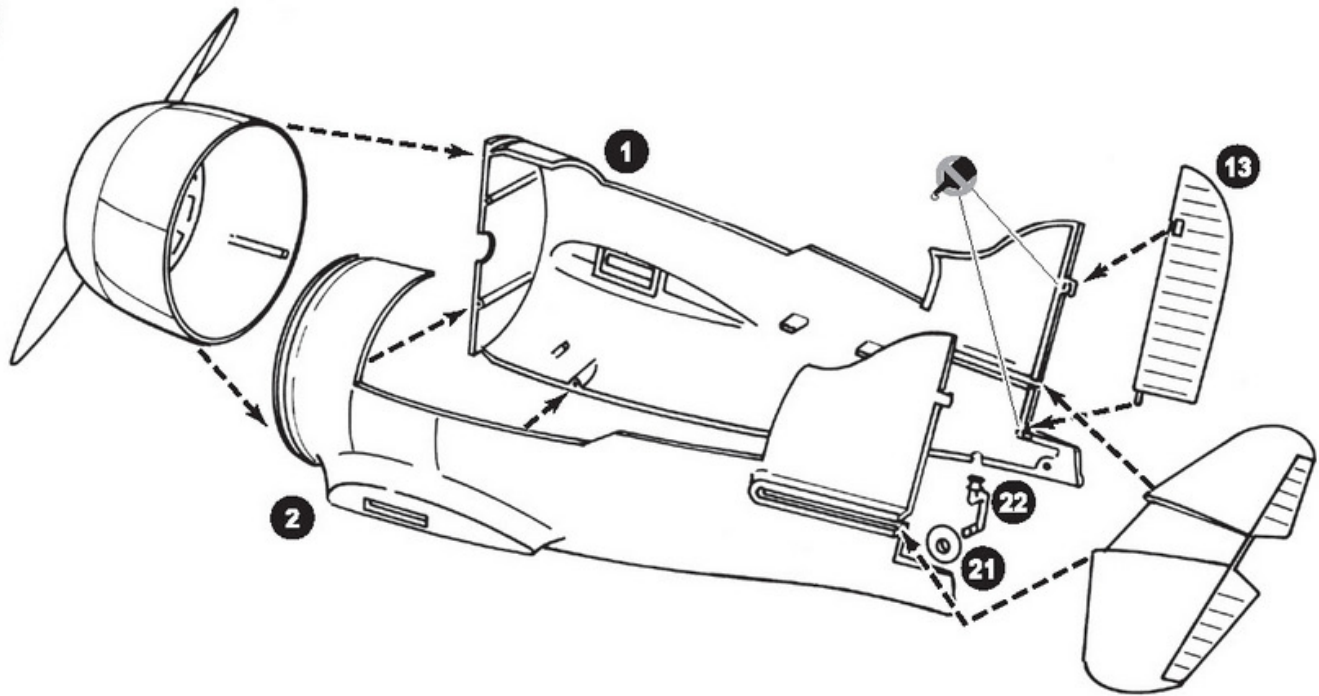
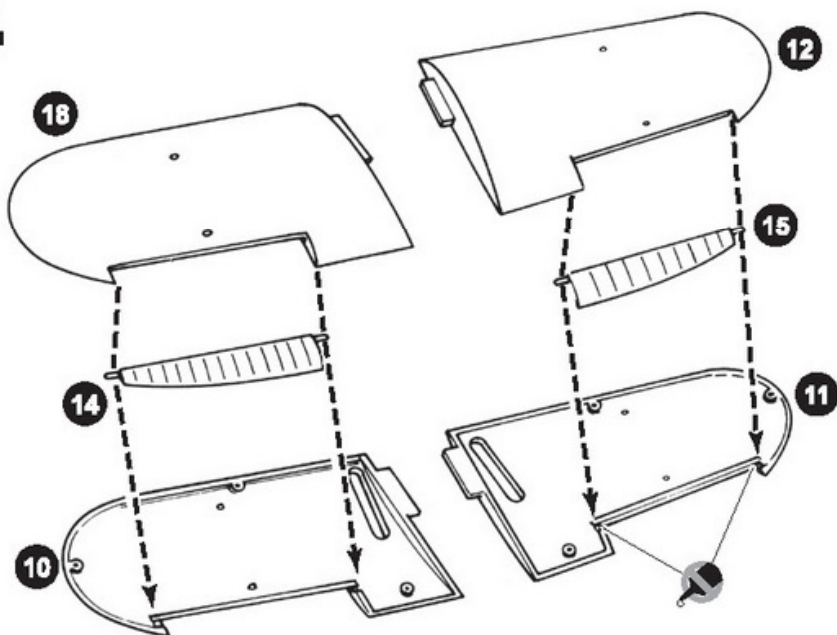
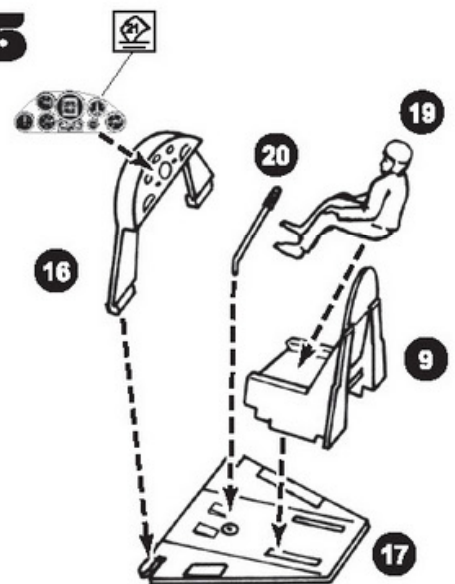
CE International Hobbycraft UK Ltd
 21 St. Thomas Street
 Bristol BS1 6JB England



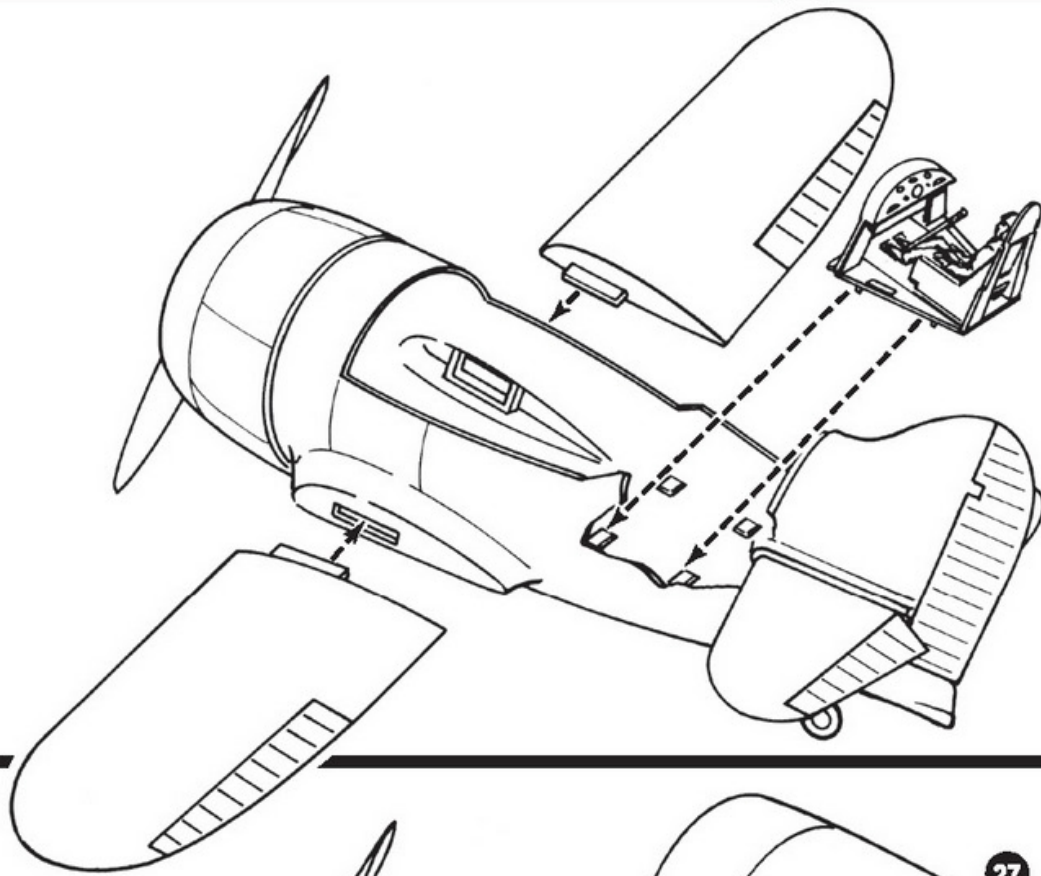
COCA-COLA, CONE, the Contour Bottle Design, the Red Disc Icon and the Dynamic Ribbon Device are trademarks of The Coca-Cola Company. Coca-Cola graphics ©2017 The Coca-Cola Company. All rights reserved. Distributed by Round 2 LLC, LINDBERG and ROUND 2 and design are trademarks of Round 2, LLC. ©2017 Round 2, LLC, South Bend, IN 46828 USA. All product is designed and made in the USA, except for decals which are made in Italy. All rights reserved.

round2models.com

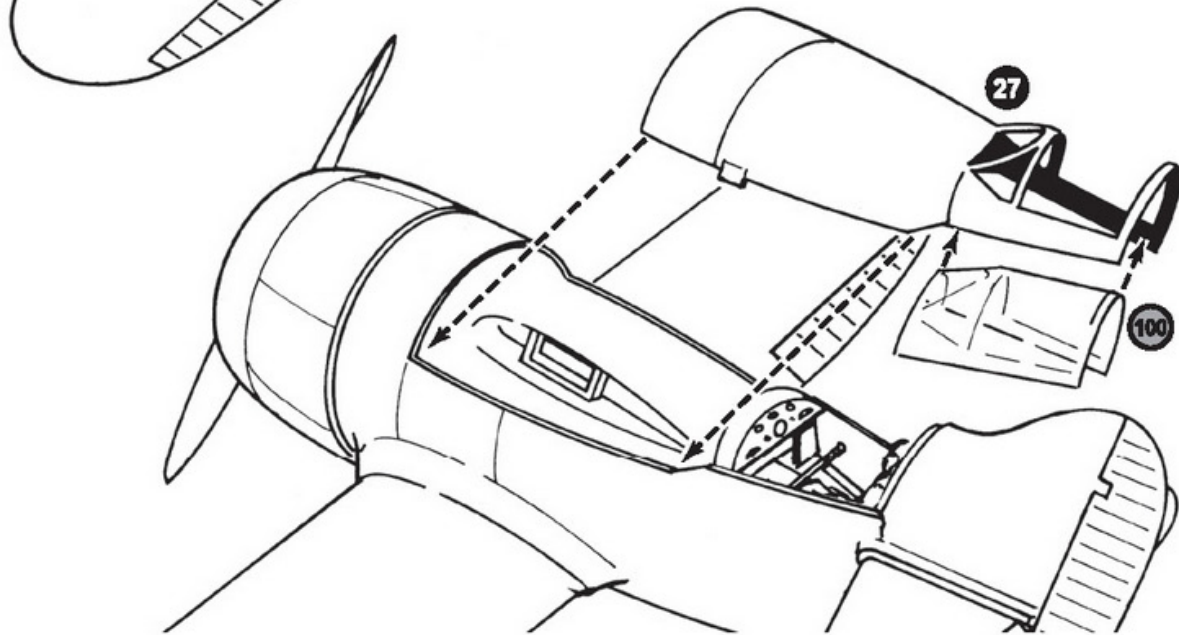
collectormodel.com

1**2****3****4****5**

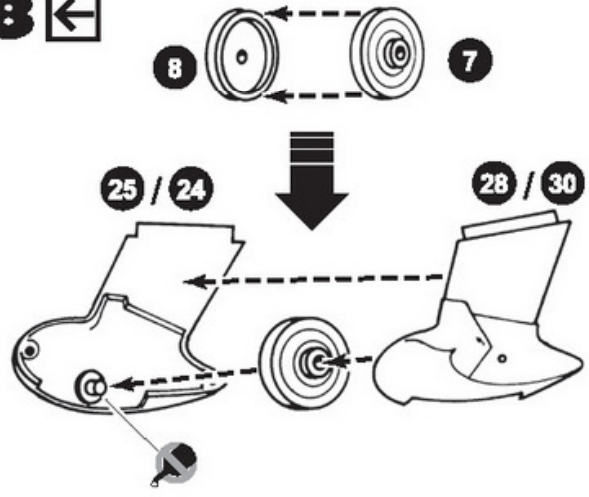
6



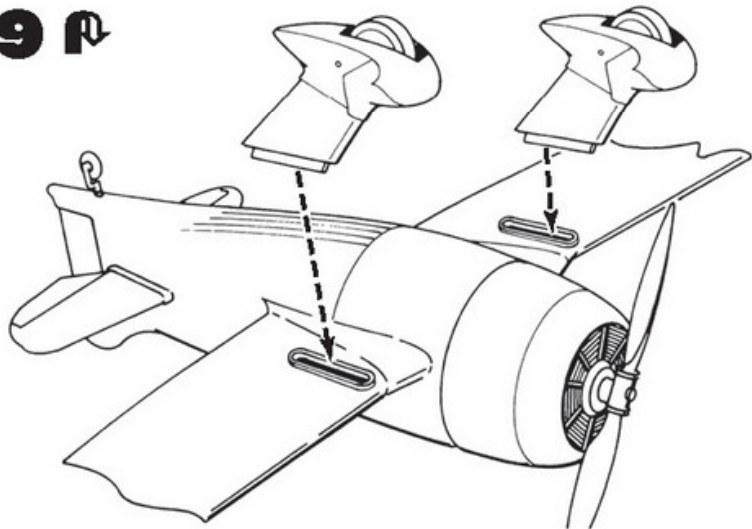
7



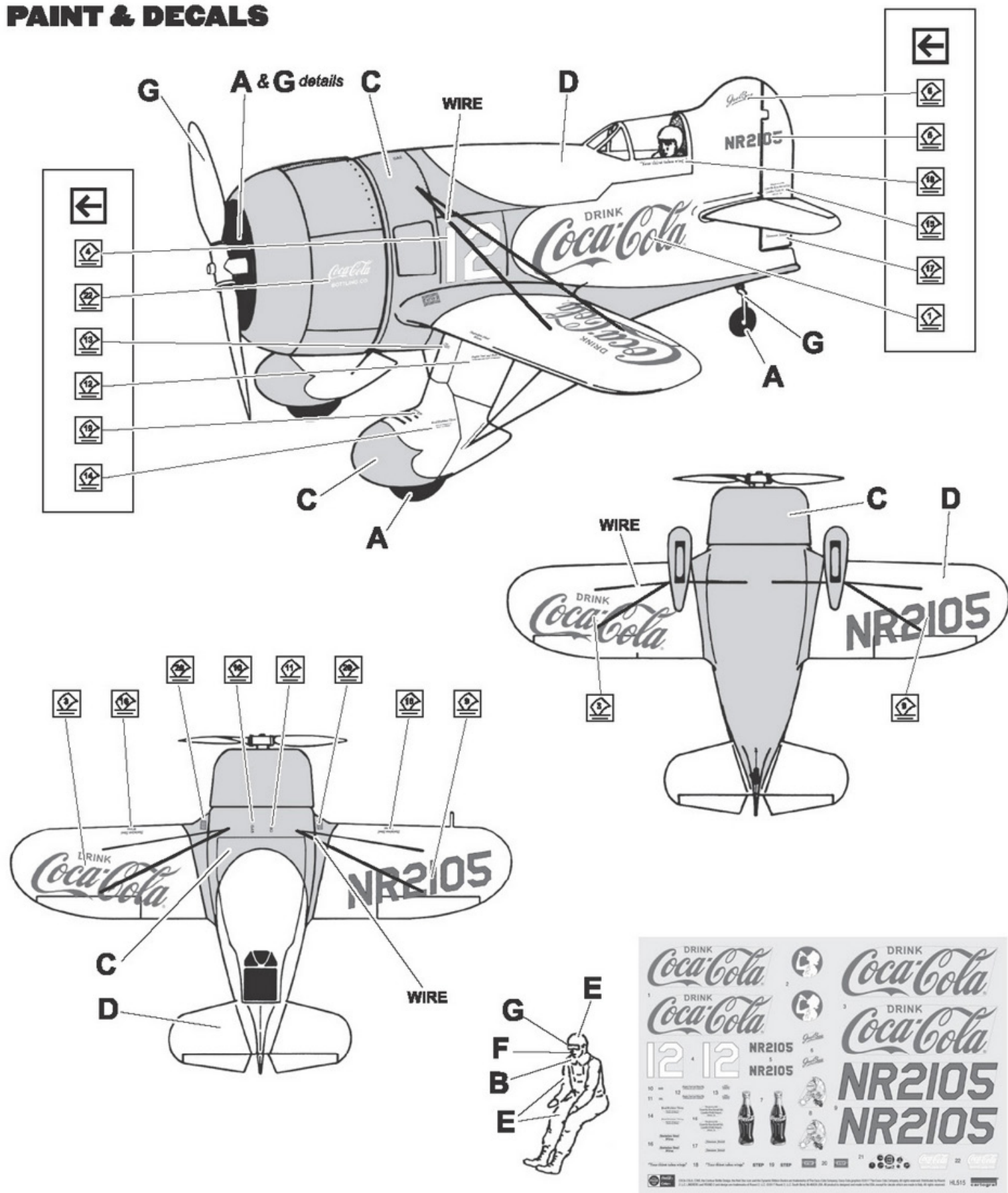
8 ←



9 ↻



PAINT & DECALS



COLOR CHART

A	B	C	D	E	F	G
Black	White	Red	Yellow	Brown	Flesh	Silver


**MADE IN THE
USA**
WITH OVER 90% US PARTS



NOW INCLUDES
PREMIER QUALITY DECALS BY
cartograf
CARTOGRAF.COM

Coca-Cola



“Your thirst takes wings”

• 1930s •
**GEE
BEE**
• RACER •

1:32 SCALE
MODEL KIT

**the *New* LINDBERG
line**
ESTABLISHED SINCE 1933



GEE BEE RACER

ROTATING PROPELLER

DETAILED PILOT

MOVING AILERONS, ELEVATOR & RUDDER

INCLUDES WIRE FOR RIGGING

AUTHENTIC DECALS

10.75" WINGSPAN | 7.25" LONG

round2models.com
collectormodel.com



Pictured model painted, assembled and photographed by E. James Small. smallartworks.ca



ROUND 2, LLC
4073 MEGHAN BEELER COURT
SOUTH BEND, IN 46628



INTERNATIONAL HOBBYCRAFT (UK) LTD.
21 ST. THOMAS STREET
BRISTOL BS1 6JS ENGLAND



COCA-COLA, COKE, the Contour Bottle Design, the Red Disc Icon and the Dynamic Ribbon Device are trademarks of The Coca-Cola Company. Coca-Cola graphics ©2017 The Coca-Cola Company. All rights reserved. Distributed by Round 2 LLC, LINDBERG and ROUND 2 and design are trademarks of Round 2, LLC. ©2017 Round 2, LLC, South Bend, IN 46628 USA. All product is designed and made in the USA, except for decals which are made in Italy. All rights reserved.

Item# HL515/12



8 49398 01342 7

03/27/2017JK1
Made in Michigan, USA

WARNING:
CHOKING HAZARD - Small parts.
Not for children under 3 yrs.