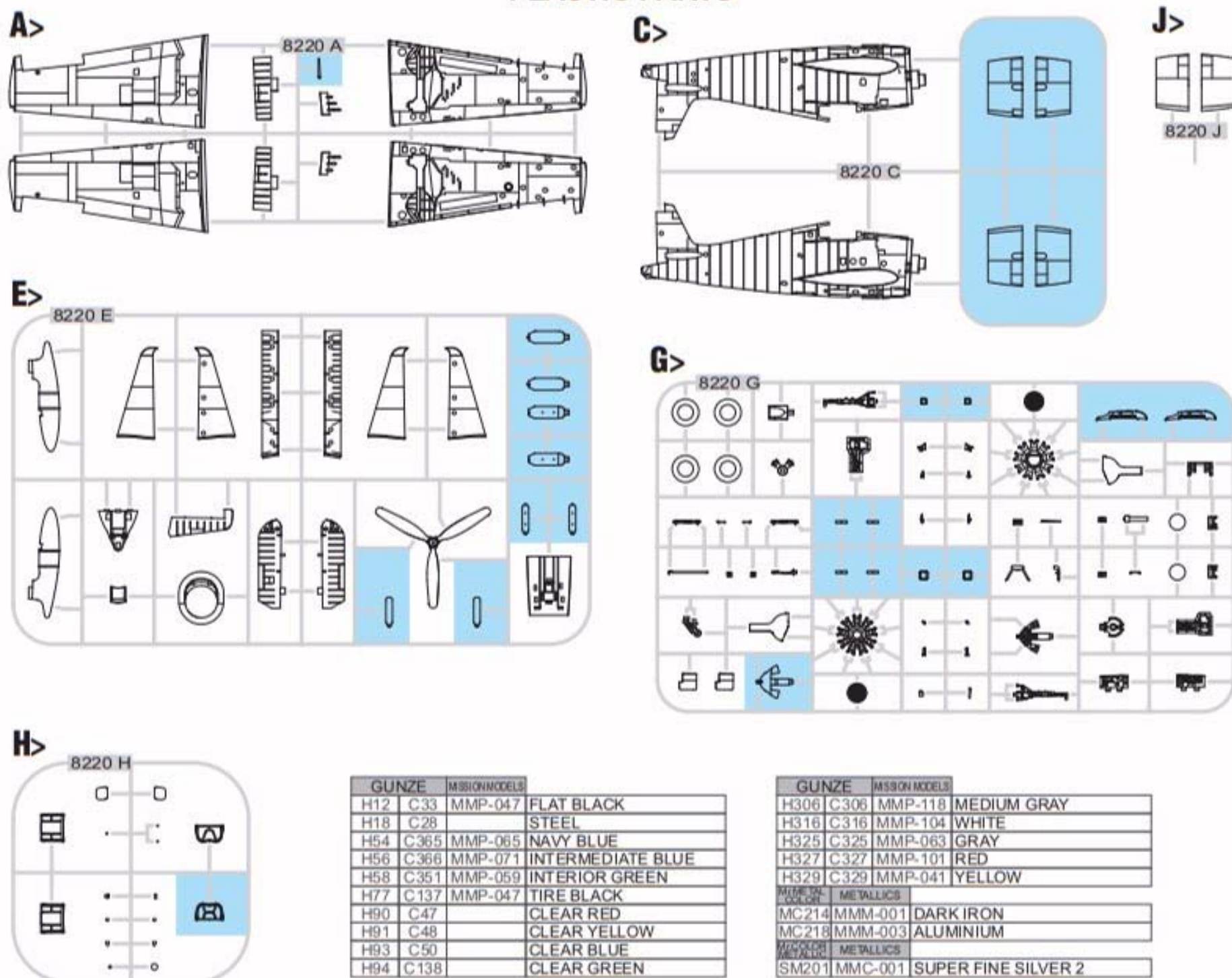


PLASTIC PARTS

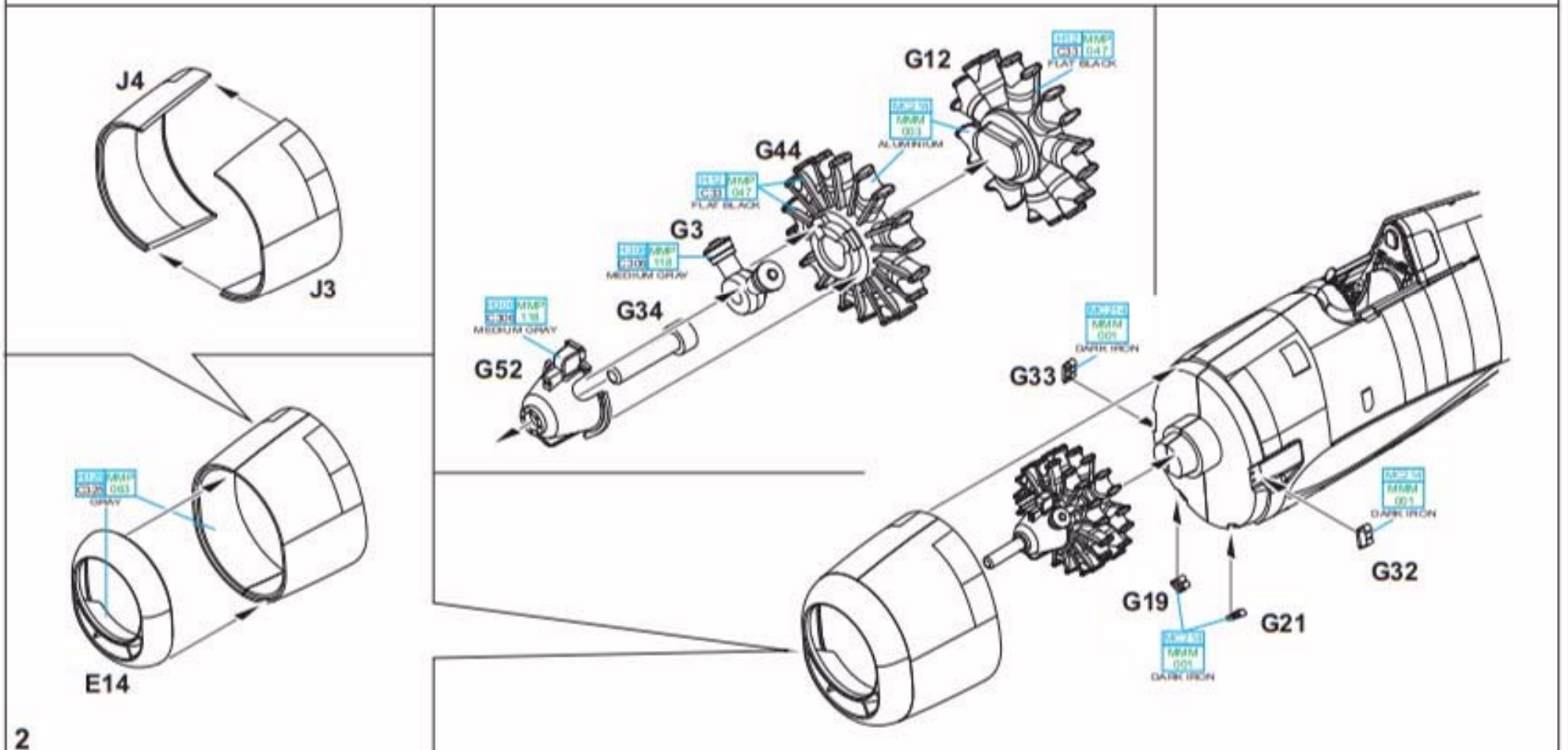
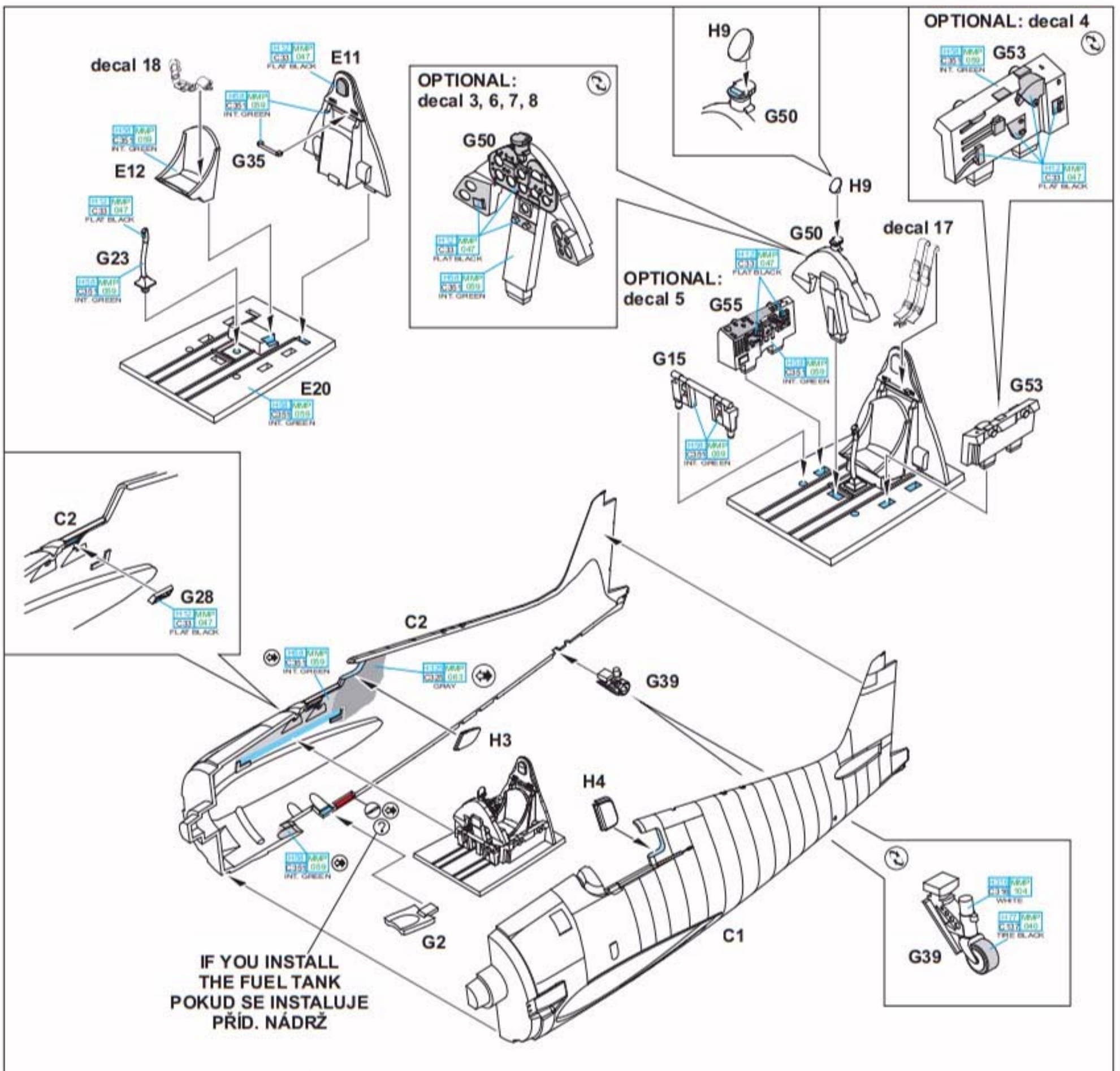


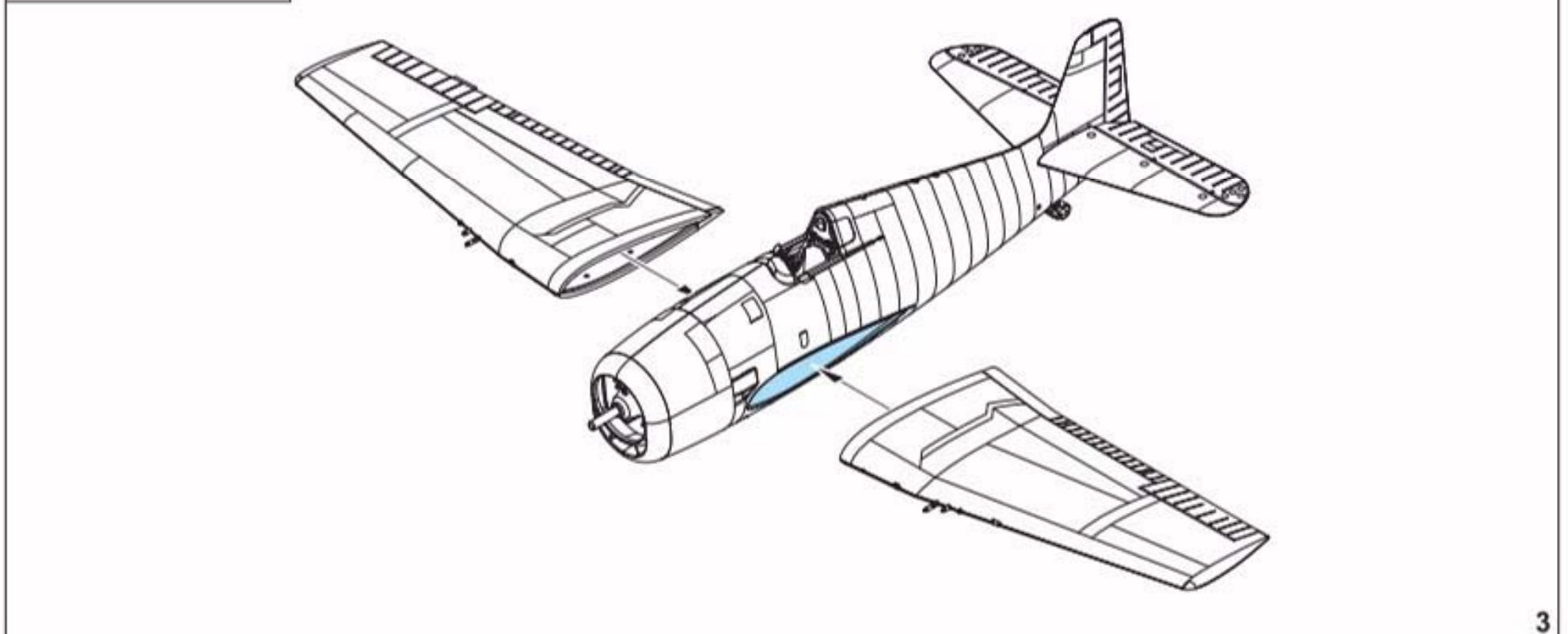
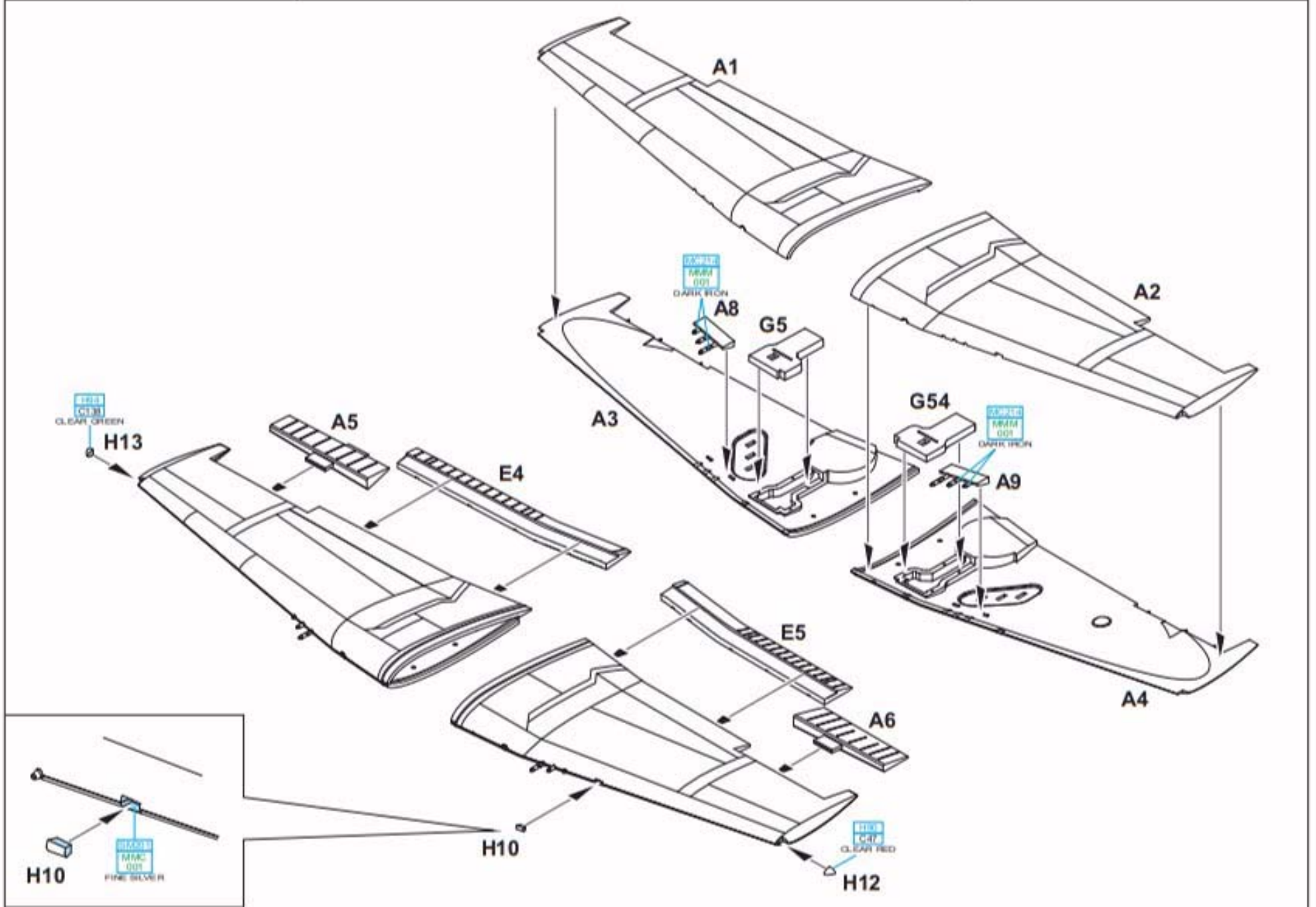
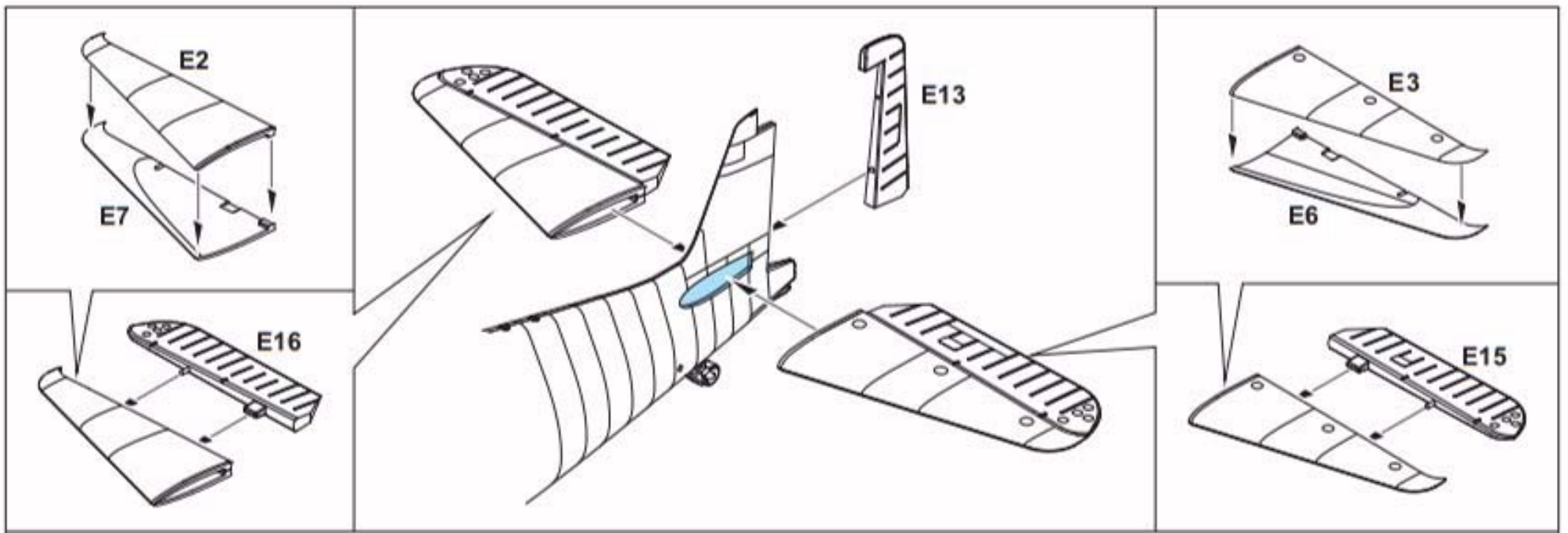
ATTENTION * UPOZORNĚNÍ * ACHTUNG * ATTENTION

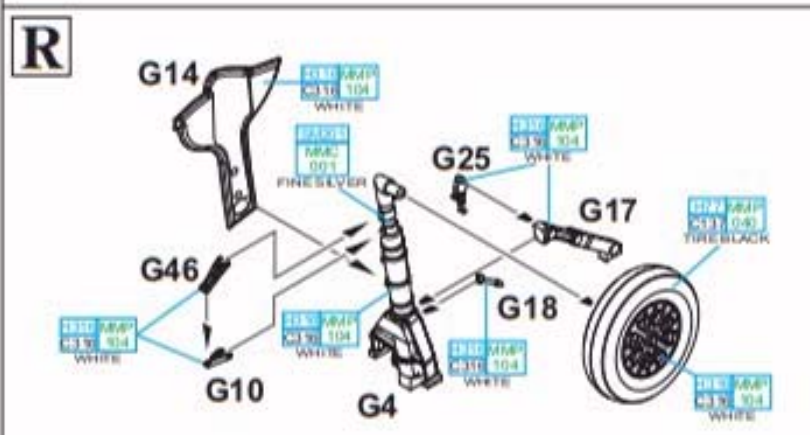
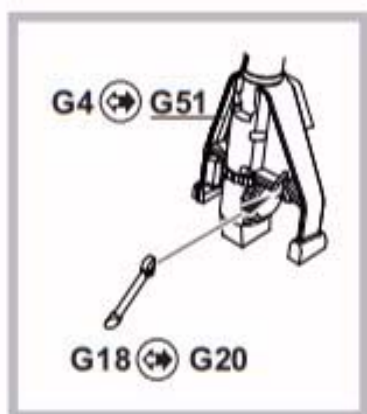
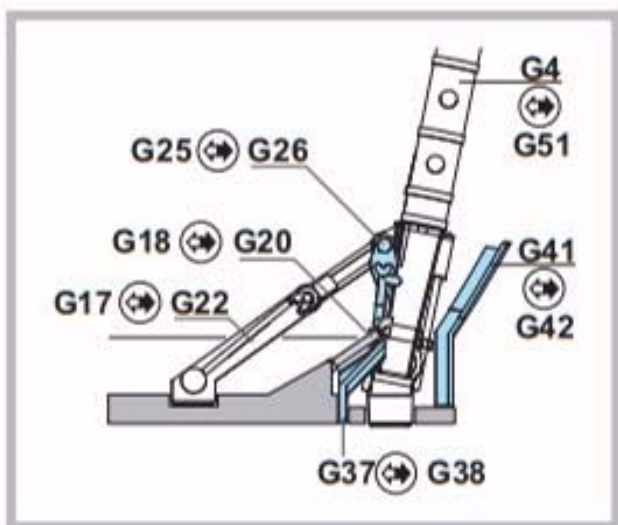
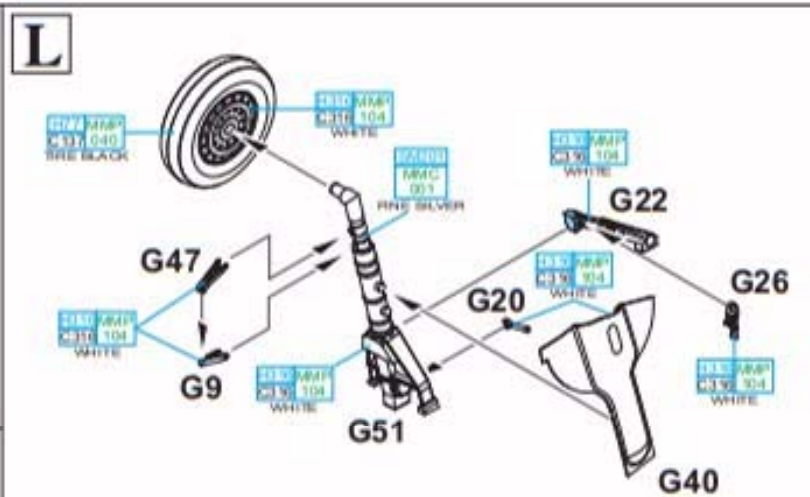
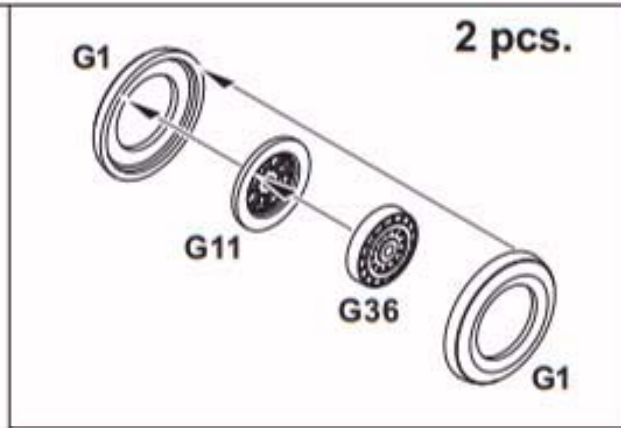
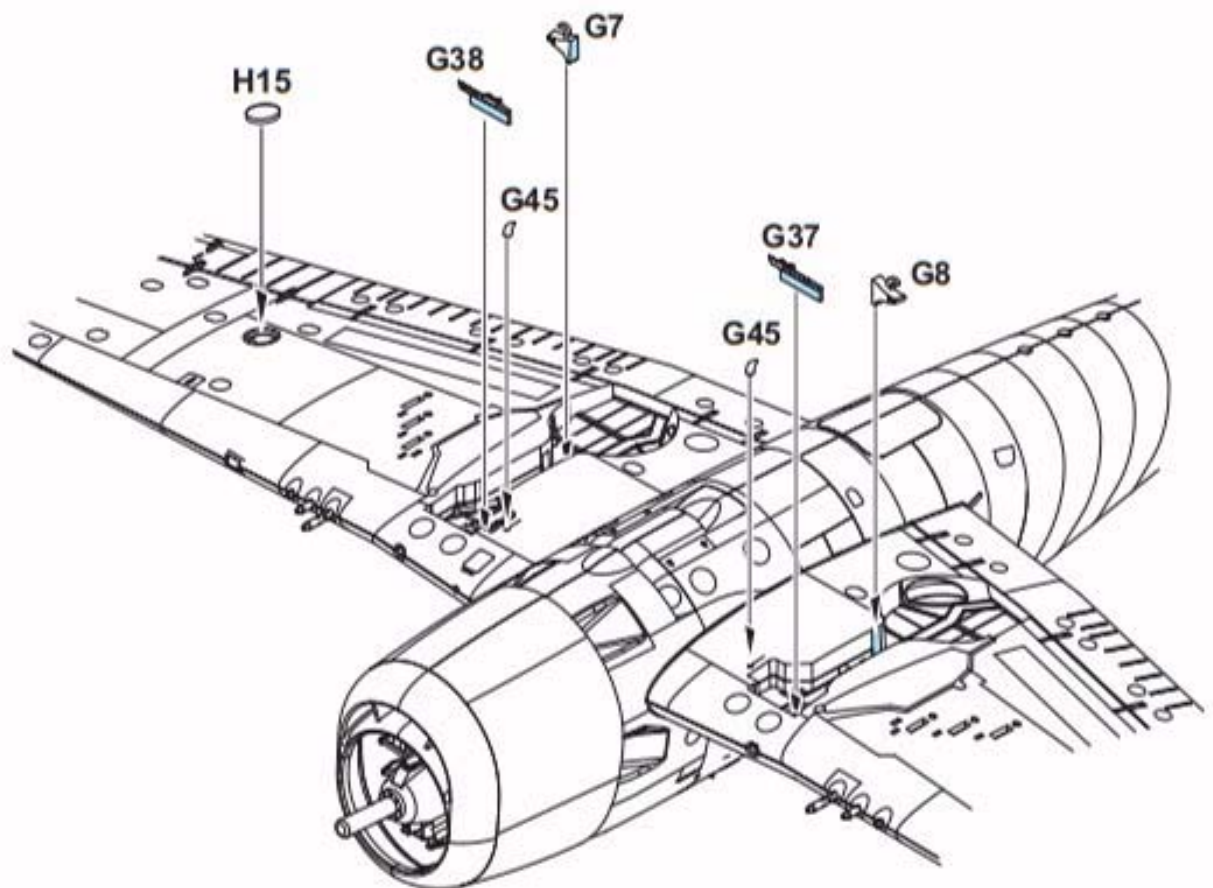
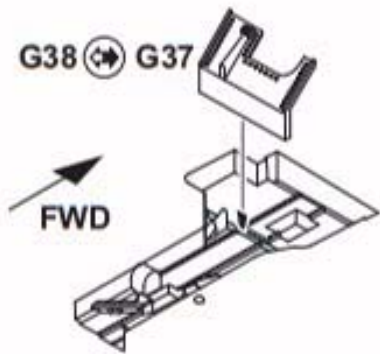
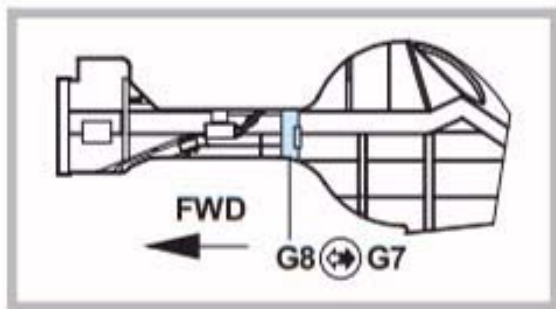
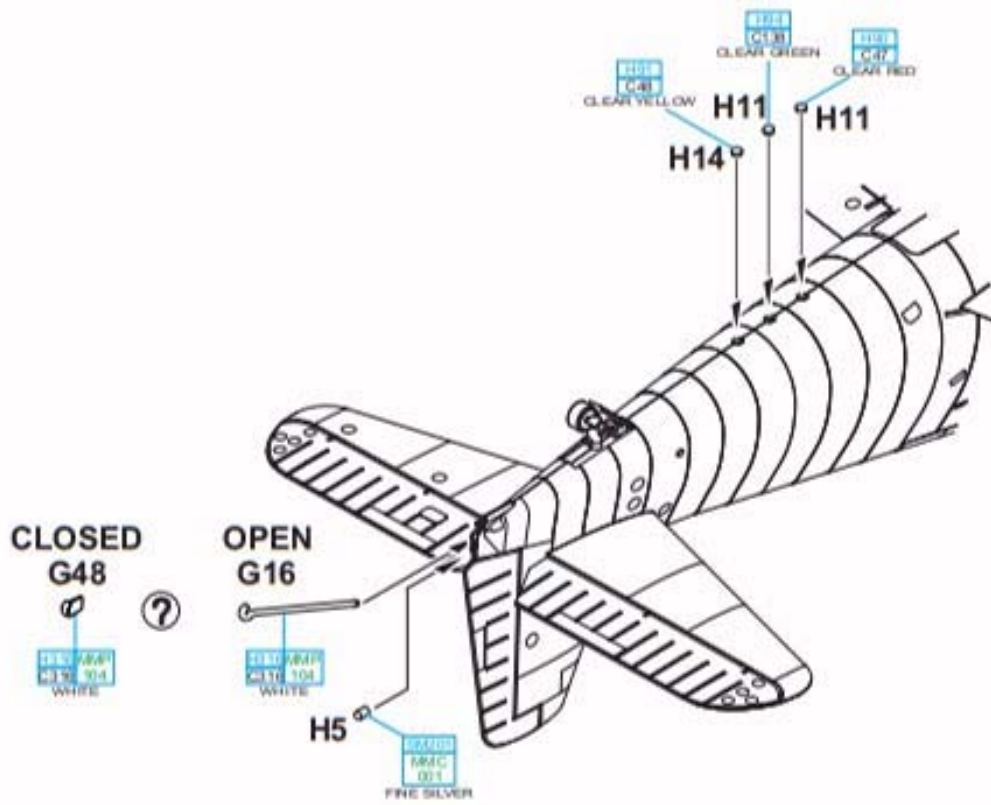
- (GB)** Carefully read instruction sheet before assembling. When you use glue or paint, do not use near open flame and use in well ventilated room. Keep out of reach of small children. Children must not be allowed to suck any part, or pull vinyl bag over the head.
- (CZ)** Před započatím stavby si pečlivě prostudujte stavební návod. Při používání barev a lepidel pracujte v dobře větrané místnosti. Lepidla ani barvy nepoužívejte v blízkosti otevřeného ohně. Model není určen malým dětem, mohlo by dojít k požití drobných dílů.
- (D)** Vor dem Zusammenbau die Bauanleitung gut durchlesen. Kleber und Farben nicht in der Nähe von offenem Feuer verwenden und für eine ausreichende Belüftung sorgen. Den Bausatz von kleinen Kindern fernhalten. Vermeiden Sie, dass Kinder Bauteile in den Mund nehmen oder sich Plastiktüten über den Kopf ziehen.
- (F)** Lire soigneusement la fiche d'instructions avant d'assembler. Ne pas utiliser de colle ou de peinture à proximité d'une flamme nue, et aérer la pièce de temps en temps. Garder hors de portée des enfants en bas âge. Ne pas laisser les enfants mettre en bouche ou sucer les pièces, ou passer un sachet vinyl sur la tête.

INSTRUCTION SIGNS * INSTR. SYMBOLY * INSTRUKTION SINNBILDEN * SYMBOLES

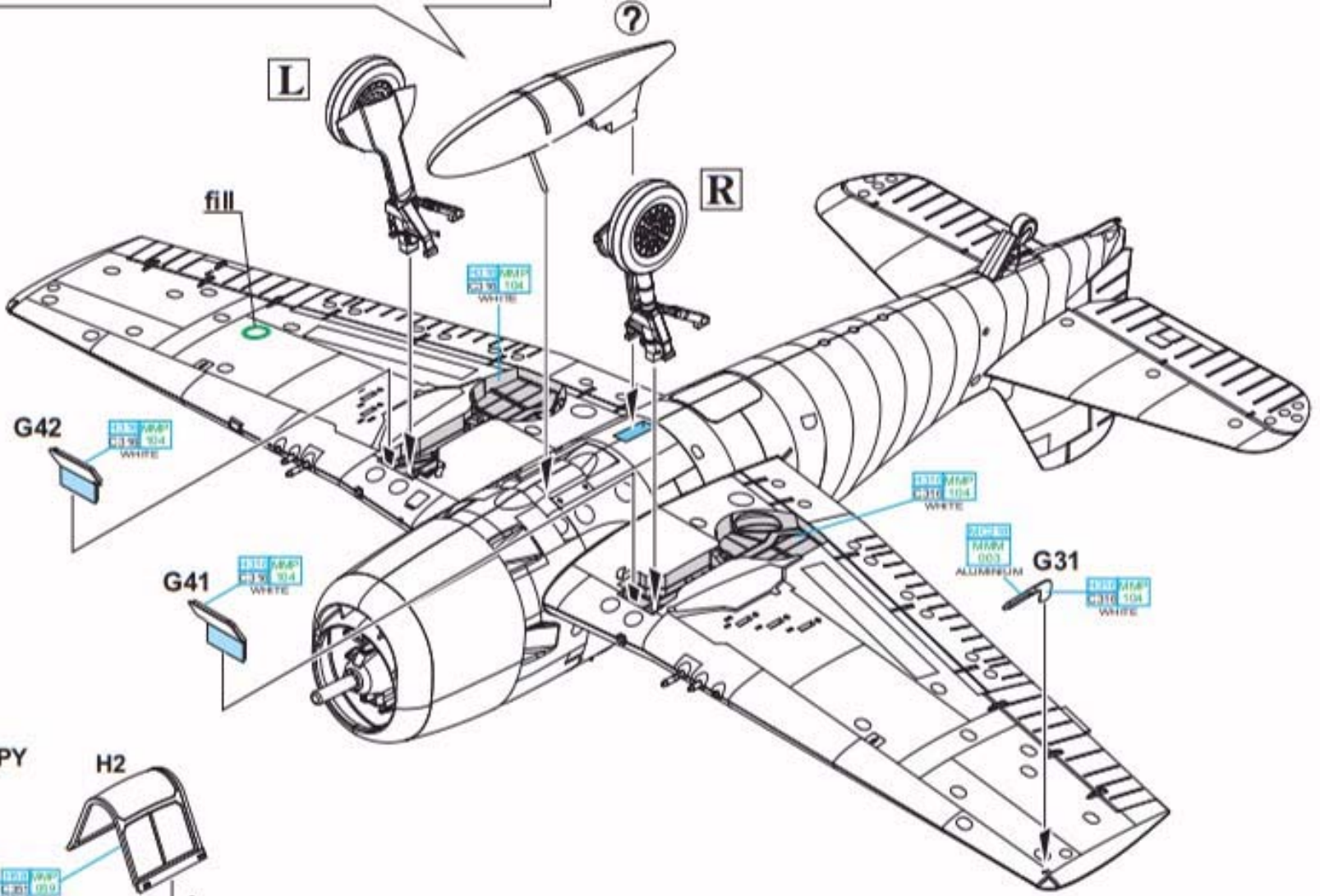
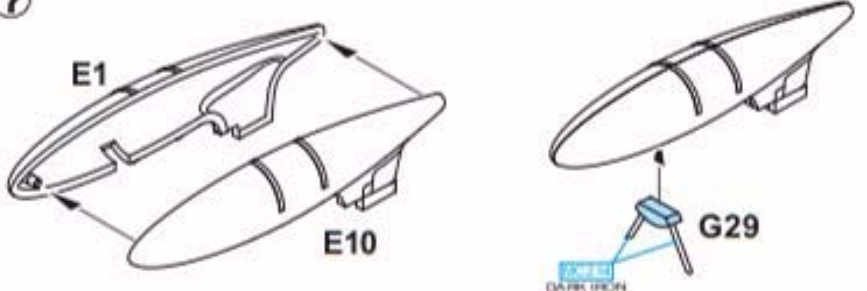
-  OPTIONAL VOLBA
-  BEND OHNOUT
-  SAND BROUSIT
-  OPEN HOLE VYVRTAT OTVOR
-  SYMETRICAL ASSEMBLY SYMETRICKÁ MONTÁŽ
-  REMOVE ODŘÍZNOUT
-  REVERSE SIDE OTOČIT
-  APPLY EDUARD MASK AND PAINT POUŽIT EDUARD MASK NABARVIT



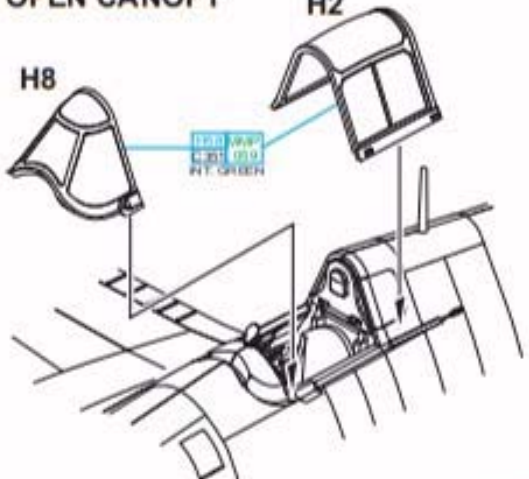




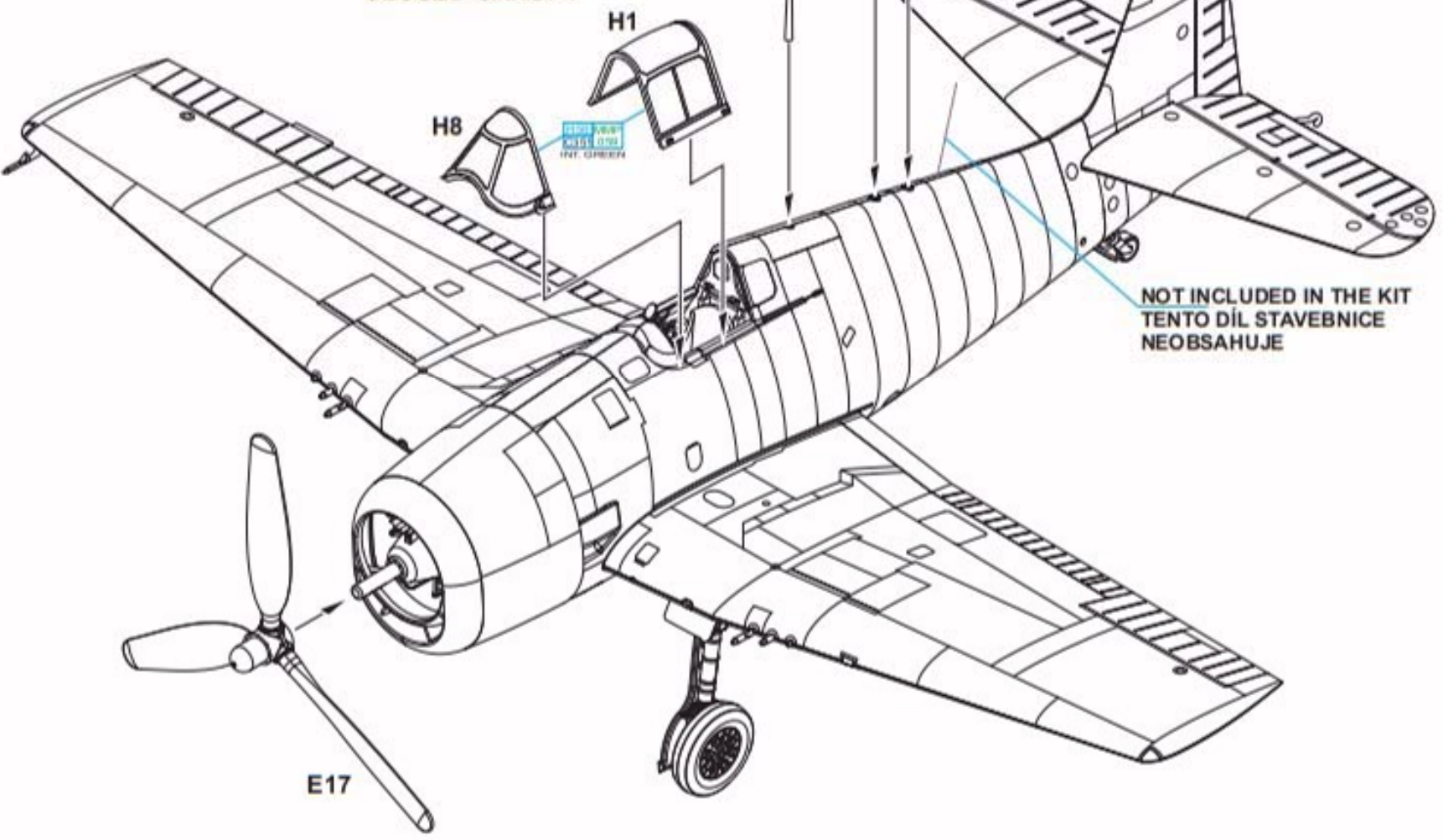
?



OPEN CANOPY



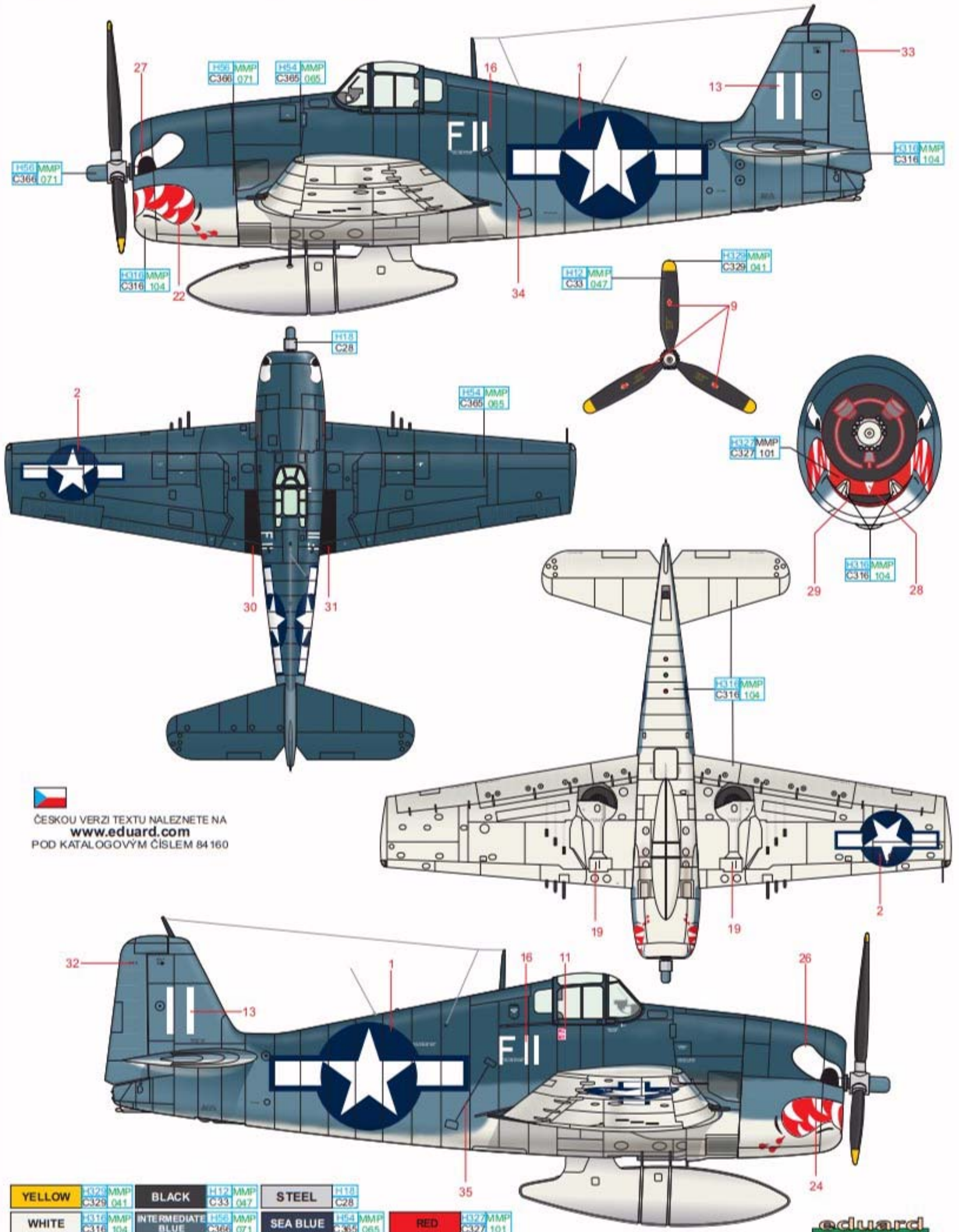
CLOSED CANOPY



NOT INCLUDED IN THE KIT
TENTO DÍL STAVEBNICE
NEBSAHUJE

A VF-27, USS Princeton, October 1944

The most striking markings applied to the Hellcat were applied to the aircraft of VF-27 on the USS Princeton (CVL-23). The sharkmouth and bloodshot eyes seared themselves into the memory of more than one Japanese pilot. The sharkmouth and eyes were applied to all the Hellcats serving with VF-27 by one of its pilots, Robert Burnell, and with them, wreaked havoc everywhere they operated in the Pacific. Over this span, they accounted for some two hundred downed enemy aircraft. The end of combat for VF-27 came about on October 24th, 1944, when the Princeton suffered a Japanese bomb hit. A major fire ensued, and the Princeton was finally sunk using torpedoes launched from friendly ships. Only a few aircraft that were in the air at the time landed on the USS Essex. One of them was this Hellcat, with the uncommon 'F11' marking and with two kill marks in the form of small Japanese flags below the cockpit.



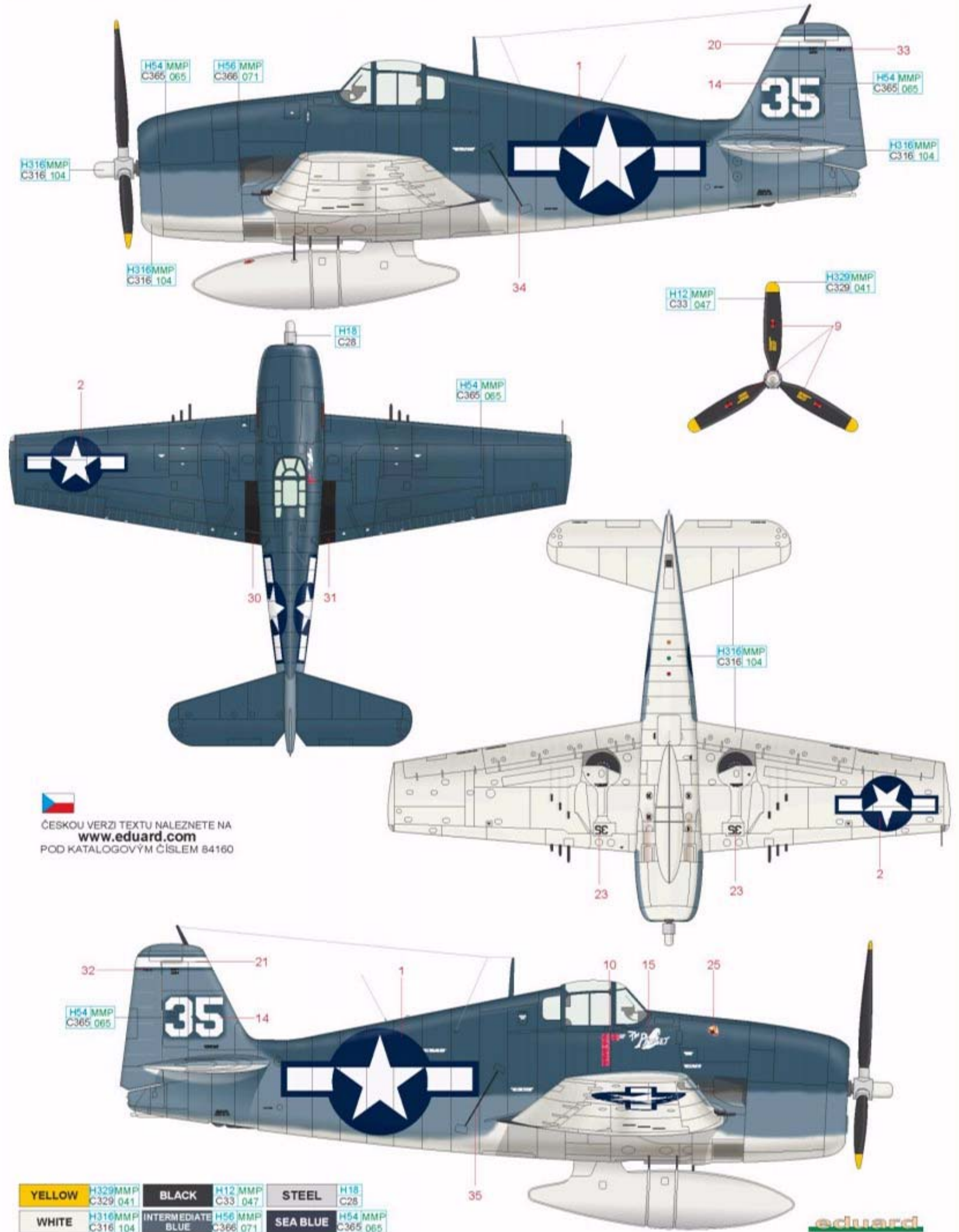
ČESKOU VERZI TEXTU NALEZNETE NA
www.eduard.com
 POD KATALOGOVÝM ČÍSLEM 84 160

YELLOW	H129 MMP C329 041	BLACK	H132 MMP C33 047	STEEL	H118 C28
WHITE	H110 MMP C316 104	INTERMEDIATE BLUE	H154 MMP C366 071	SEA BLUE	H154 MMP C365 065
				RED	H127 MMP C327 101

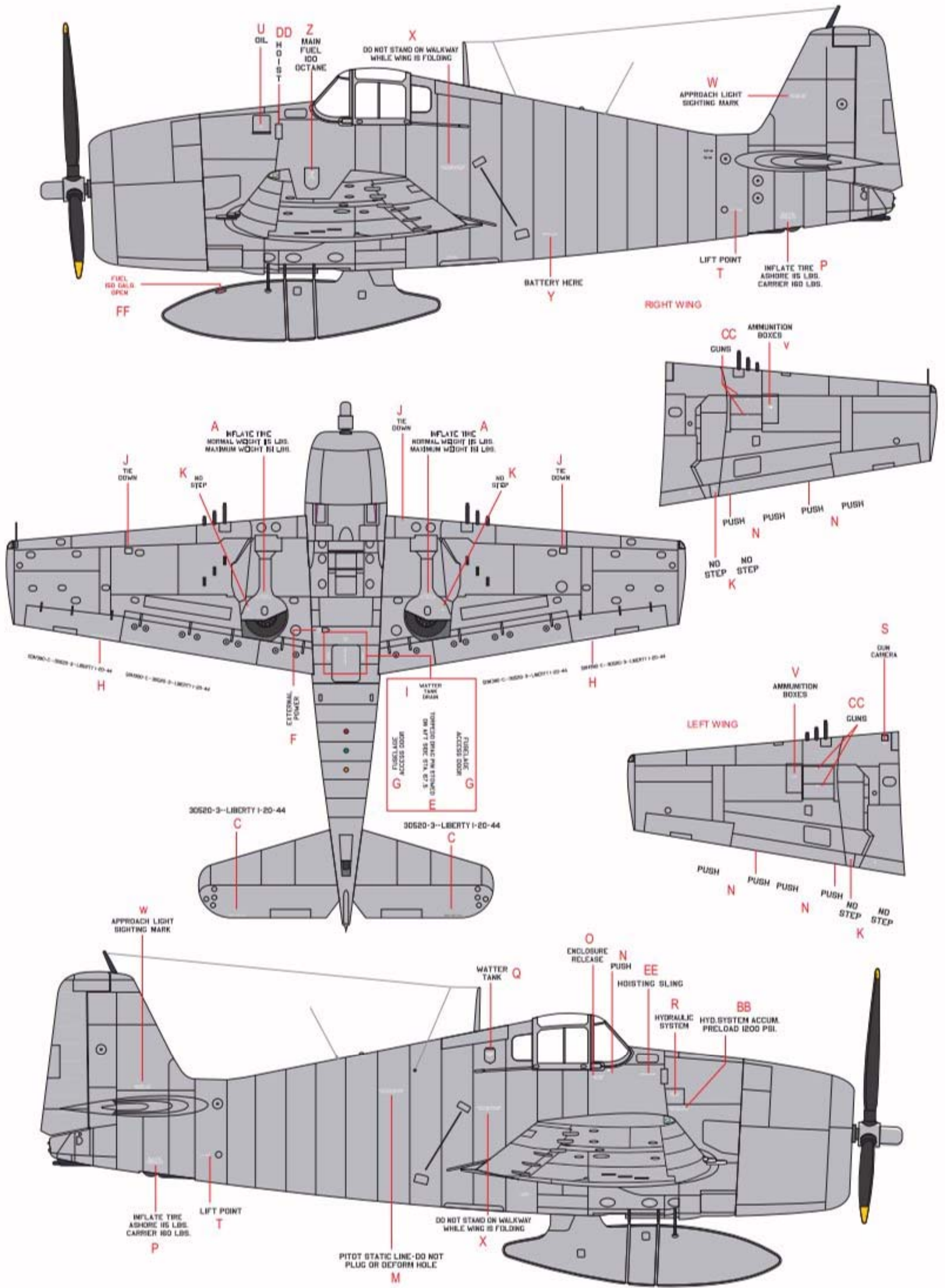


B flown by Lt. Arthur Singer, VF-15, USS Essex, October 24th - 25th, 1944

USS Essex (CV-9) participated with Task Force 58 in the Battle of Leyte Gulf that took place on October 24 – 25, 1944 in the Philippines. VF-15 Hellcats were launched from Essex as part of the second wave of U.S. aircraft that attacked the Japanese battleship Musashi and helped to sink her on October 24th. Arthur Singer, Jr. achieved ace status on September 12th, 1944, downing a J2M Jack fighter over Cebu. He was awarded the Distinguished Flying Cross for his extraordinary achievements while participating in aerial combat on October 25th, 1944. Singer's final tally was ten victories.



ČESKOU VERZI TEXTU NALEZNETE NA
www.eduard.com
POD KATALOGOVÝM ČÍSLEM 84160





32

F6F-3 NAVY 3284



33

NAVY 3284 F6F-3

35 14 35
F11 16 F11



2

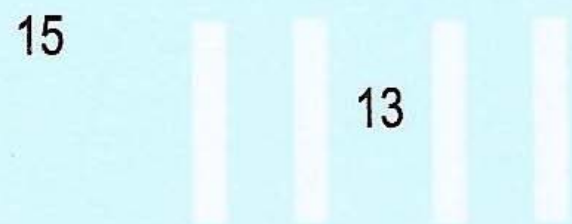
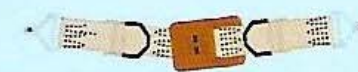


2

17



18



13

15



29

25



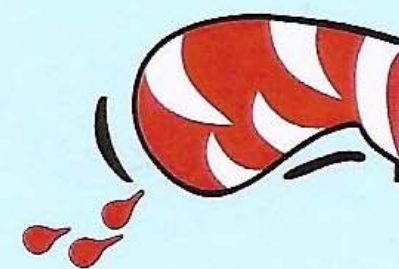
28



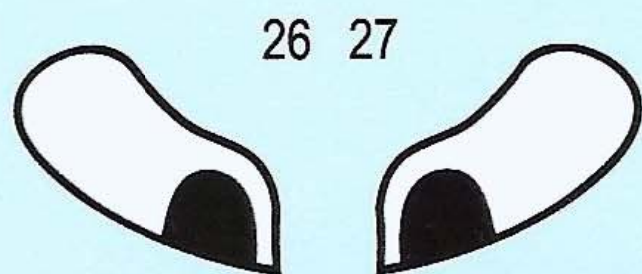
11



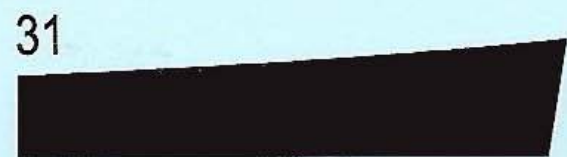
9



23

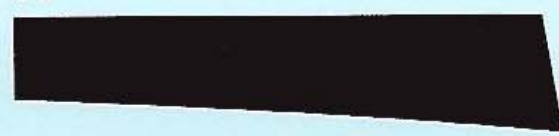


26 27



31

30



21



20



34

35

23 35 35

19 11 11

A **REFUELING TRUCK**
 NORMAL WEIGHT 25 LBS.
 MAXIMUM WEIGHT 50 LBS.

B **STARTER CARTRIDGE** **STARTER CARTRIDGE** **STARTER CARTRIDGE**

D **MAIN FUEL DRAIN** **MAIN FUEL DRAIN** **MAIN FUEL DRAIN**

E **TORPEDO DATA PINS STORED ON LEFT SIDE STL 07.5**

F **EXTERNAL POWER**

H **ENGINE C-30000-3-1-100011-1-00-14** **ENGINE C-30000-3-1-100011-1-00-14** **ENGINE C-30000-3-1-100011-1-00-14**

G **FUEL/AIR ACCESS DOOR** **FUEL/AIR ACCESS DOOR** **FUEL/AIR ACCESS DOOR**

I **WATER TANK DRAIN** **WATER TANK DRAIN**

J **TIE DOWN** **TIE DOWN** **TIE DOWN**

K **NO STEP** **NO STEP** **NO STEP**

M **ENGINE C-30000-3-1-100011-1-00-14** **ENGINE C-30000-3-1-100011-1-00-14** **ENGINE C-30000-3-1-100011-1-00-14**

L

N **ENGINE C-30000-3-1-100011-1-00-14** **ENGINE C-30000-3-1-100011-1-00-14** **ENGINE C-30000-3-1-100011-1-00-14**

HH

O **ENGINE C-30000-3-1-100011-1-00-14** **ENGINE C-30000-3-1-100011-1-00-14** **ENGINE C-30000-3-1-100011-1-00-14**

HH

P **ENGINE C-30000-3-1-100011-1-00-14** **ENGINE C-30000-3-1-100011-1-00-14** **ENGINE C-30000-3-1-100011-1-00-14**

Q **ENGINE C-30000-3-1-100011-1-00-14** **ENGINE C-30000-3-1-100011-1-00-14** **ENGINE C-30000-3-1-100011-1-00-14**

FIGURE 0.0 SPARE PARTS FOR USE WITH REFUELING TRUCK. SEE THE REFUELING TRUCK LAUNCHER MANUAL FOR MORE INFORMATION.
 PLACE SPARE PARTS IN THE SPARE PARTS COMPARTMENT OF THE REFUELING TRUCK.
 FIGURE 0.0 SPARE PARTS FOR USE WITH REFUELING TRUCK. SEE THE REFUELING TRUCK LAUNCHER MANUAL FOR MORE INFORMATION.
 PLACE SPARE PARTS IN THE SPARE PARTS COMPARTMENT OF THE REFUELING TRUCK.

R **ENGINE C-30000-3-1-100011-1-00-14** **ENGINE C-30000-3-1-100011-1-00-14** **ENGINE C-30000-3-1-100011-1-00-14**

FIGURE 0.0 SPARE PARTS FOR USE WITH REFUELING TRUCK. SEE THE REFUELING TRUCK LAUNCHER MANUAL FOR MORE INFORMATION.
 PLACE SPARE PARTS IN THE SPARE PARTS COMPARTMENT OF THE REFUELING TRUCK.
 FIGURE 0.0 SPARE PARTS FOR USE WITH REFUELING TRUCK. SEE THE REFUELING TRUCK LAUNCHER MANUAL FOR MORE INFORMATION.
 PLACE SPARE PARTS IN THE SPARE PARTS COMPARTMENT OF THE REFUELING TRUCK.

S **ENGINE C-30000-3-1-100011-1-00-14** **ENGINE C-30000-3-1-100011-1-00-14** **ENGINE C-30000-3-1-100011-1-00-14**

BB **FUEL/AIR ACCESS DOOR** **FUEL/AIR ACCESS DOOR** **FUEL/AIR ACCESS DOOR**

FIGURE 0.0 SPARE PARTS FOR USE WITH REFUELING TRUCK. SEE THE REFUELING TRUCK LAUNCHER MANUAL FOR MORE INFORMATION.
 PLACE SPARE PARTS IN THE SPARE PARTS COMPARTMENT OF THE REFUELING TRUCK.
 FIGURE 0.0 SPARE PARTS FOR USE WITH REFUELING TRUCK. SEE THE REFUELING TRUCK LAUNCHER MANUAL FOR MORE INFORMATION.
 PLACE SPARE PARTS IN THE SPARE PARTS COMPARTMENT OF THE REFUELING TRUCK.

8220A F6F-3 Hellcat
Stencils data

eduard

F6F-3



WEEKEND
e d i t i o n

1/48
scale