

Combat Models

malliharrastajan tavaratalo

Sisu XA-180 Ambulance version

Instruction for scale 1/72 Sisu XA-180 model kit, early or later version.
To build this kit, you need a hobby knife, small side cutters, sandpaper or file and plastic glue. We recommend to use Tamiya "green cap" glue.

Kit contains 5 different sprues: A, B, C, D, and E

Sprue A and D have part for body and underframe.

Sprue B has detailing parts

Sprue C contains wheels

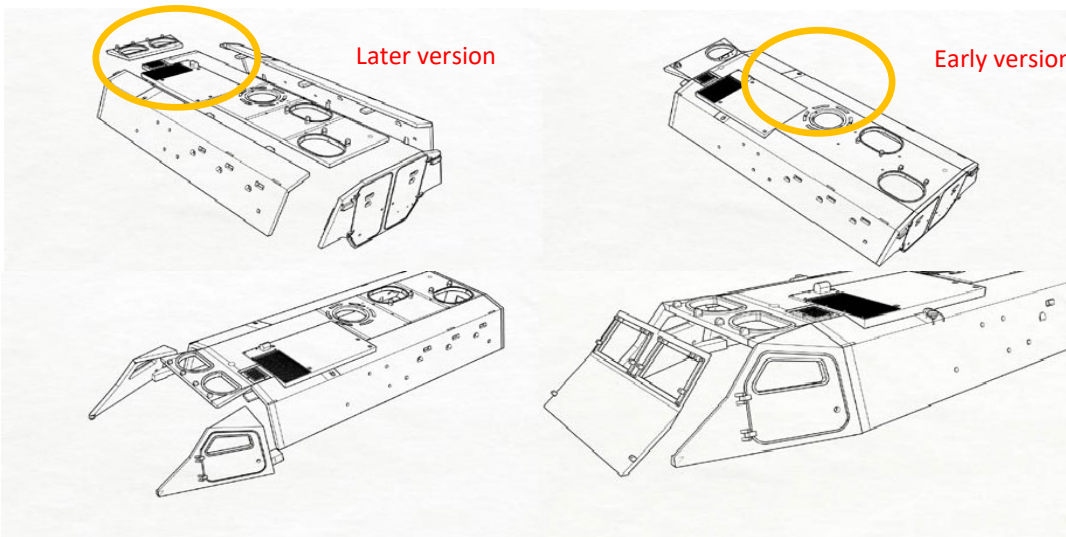
Sprue E has parts for axles

This kit has about 200 parts

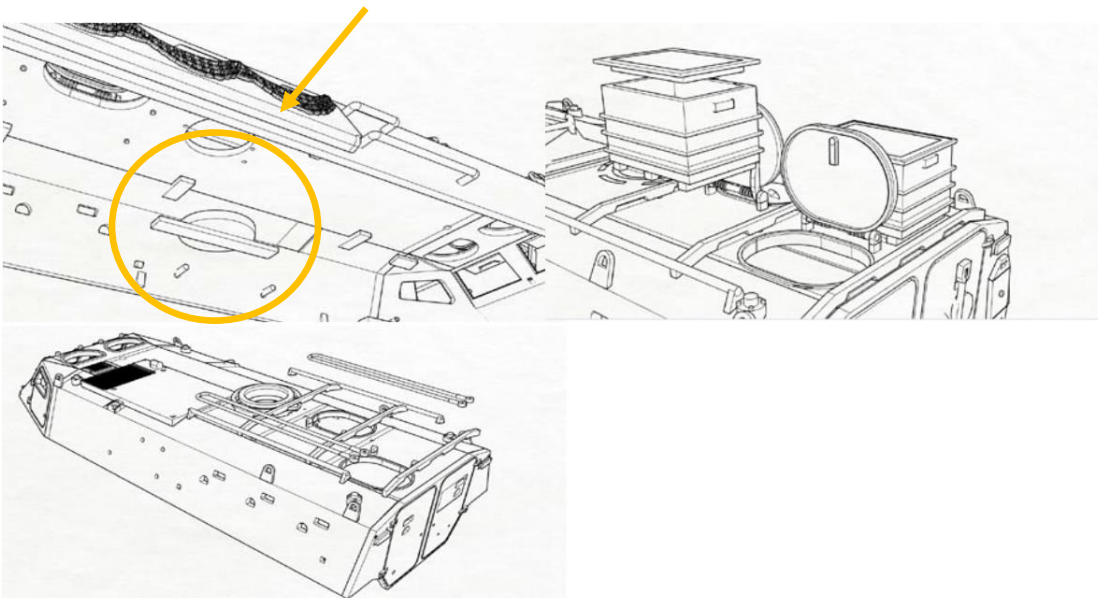


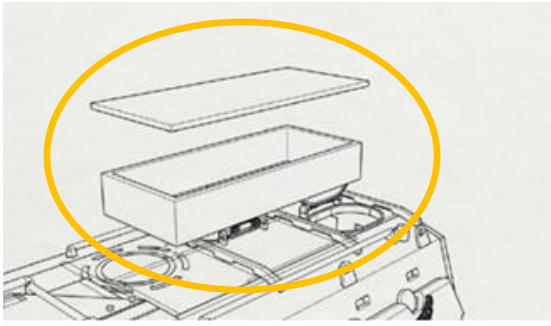
**Read instructions through before starting to build XA-180. Please be careful when you cut parts!
Erst lesen, dann bauen!**

Body parts are on sprue A and D. If you build the earlier version use roof part with only one hatch above driver's place.



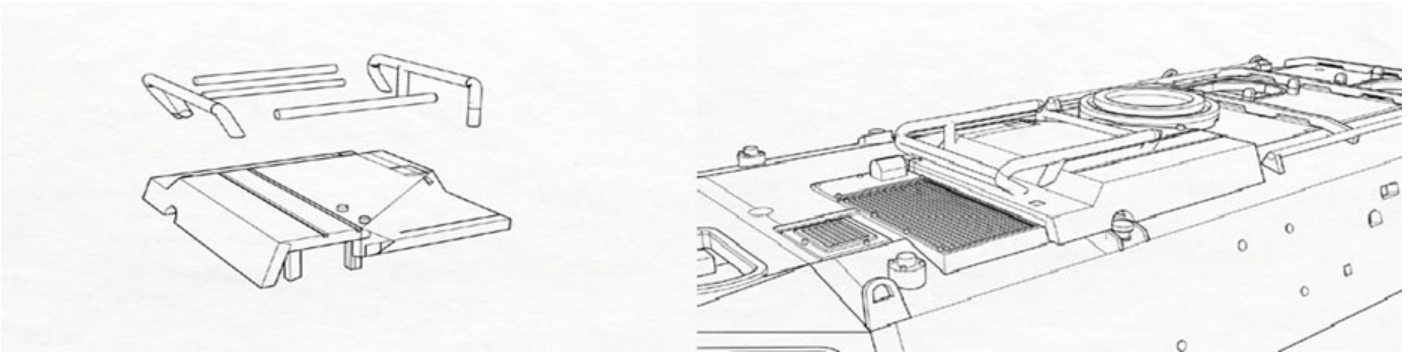
Part for ambulance and other detailing parts are on sprue D. For ambulance Machine gun turret is not used (omit it from instructions and replace with cover from inside, see pic below)



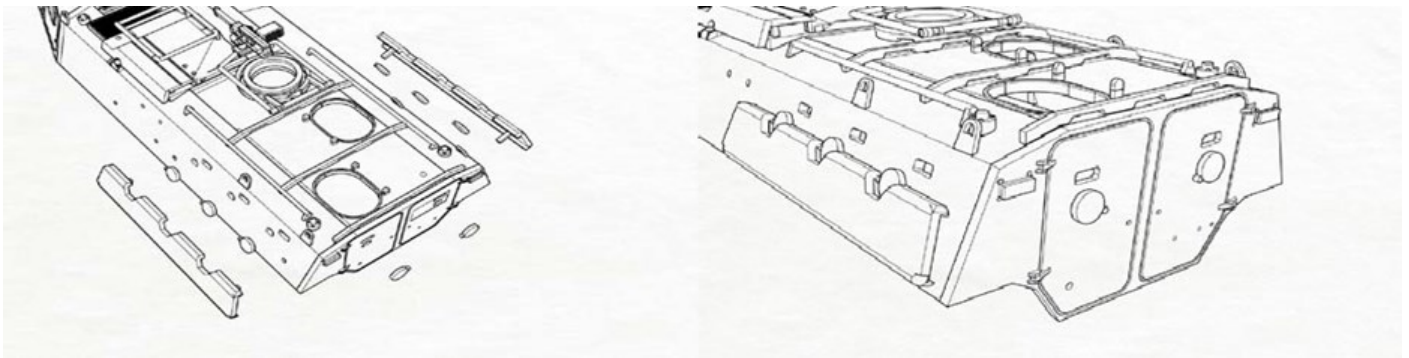


For KFOR Ps 675-445 or SFOR Ps 675-137 use longer roof box instead of two smaller ones!

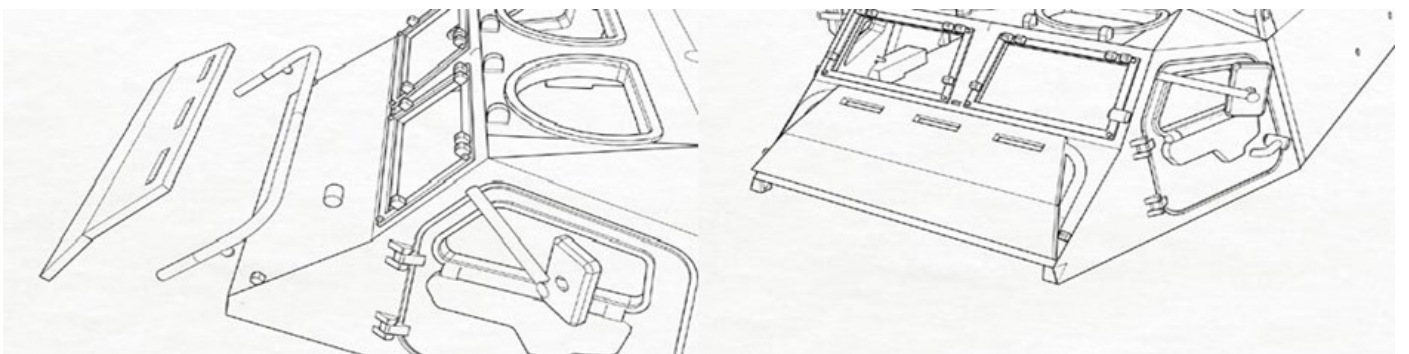
Ventilation, sprue D and E



Firing port and extra armor. Parts are on sprue A and B

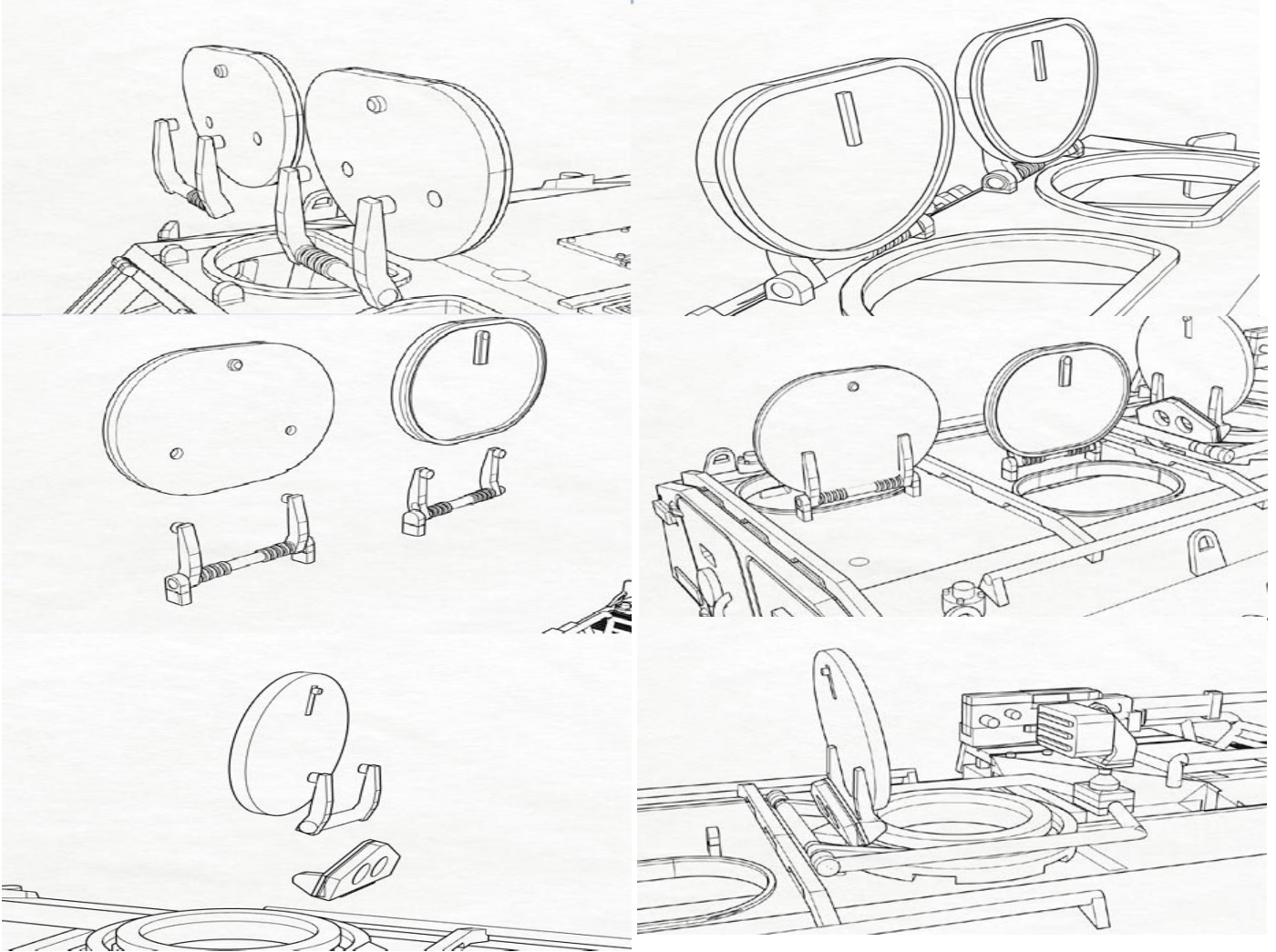


Front armor, sprue B

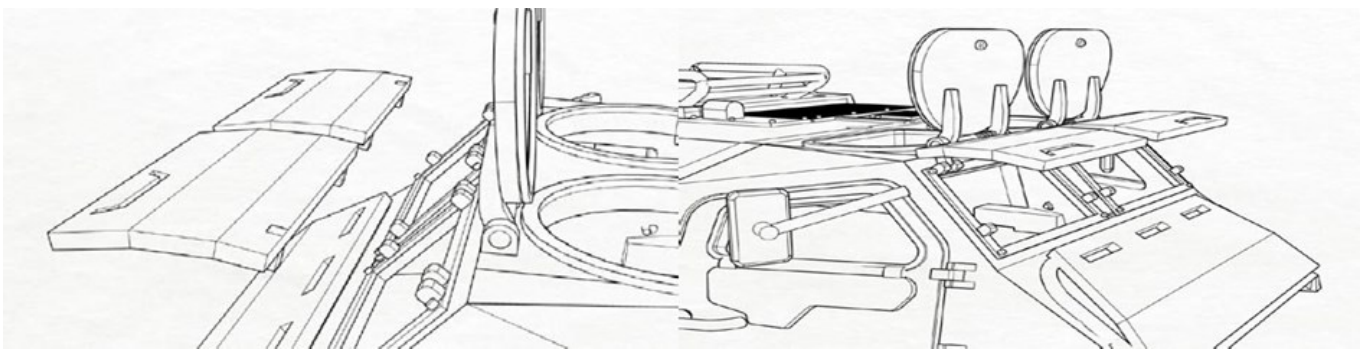


CORRECTION! The support bar for front armor/splash plate should be the other way around, ie like U and not as shown in the picture. Sorry for mistake!

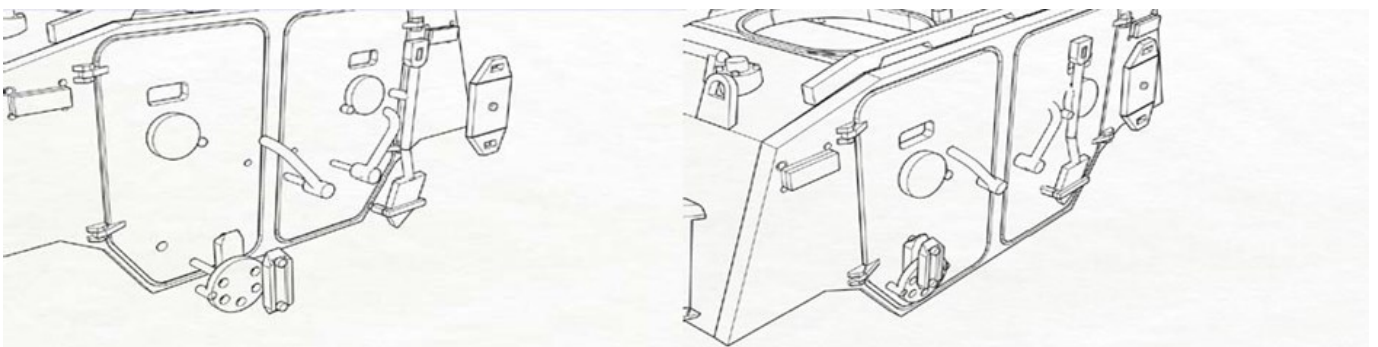
All hatches are on sprue A and B. If you build earlier version use only one top hatch above drivers compartment.



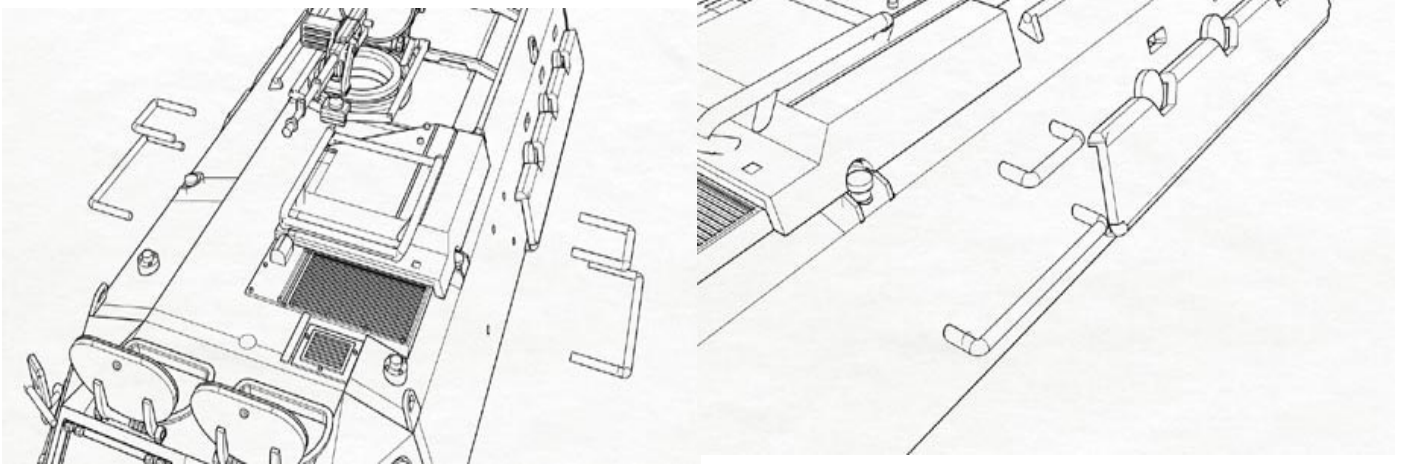
Armour for window, sprue B. These can be built open or closed. For window screens use the clear plastic sheet supplied with the kit.



Rear plate details, sprue B

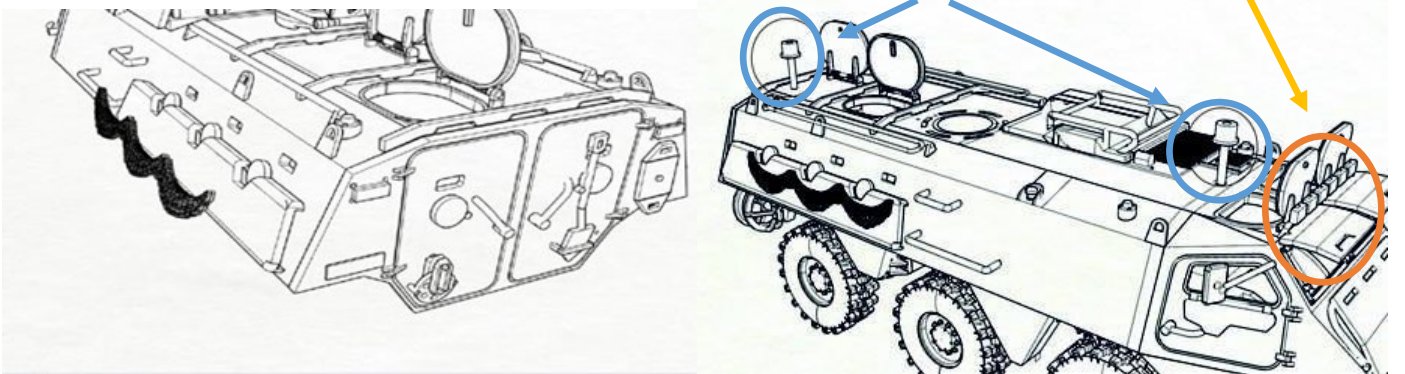


Ladder, use 0,5mm wire supplied with the kit and kit adjusting holes as templates for length.

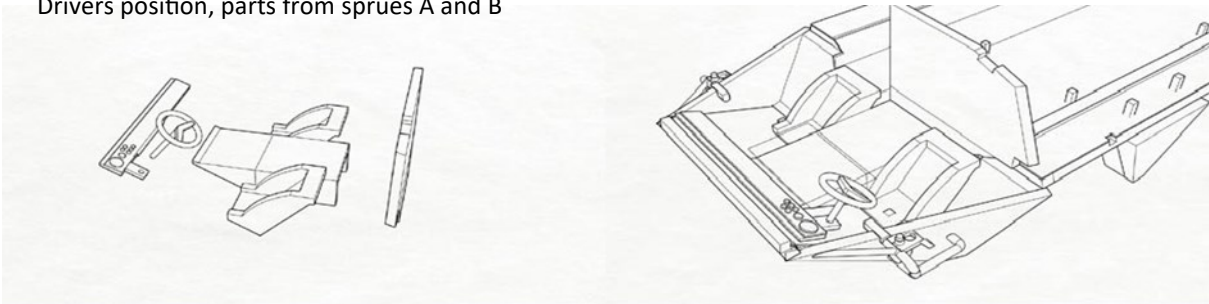


Snowchains, sprue C. Paint with rusty metal colour.

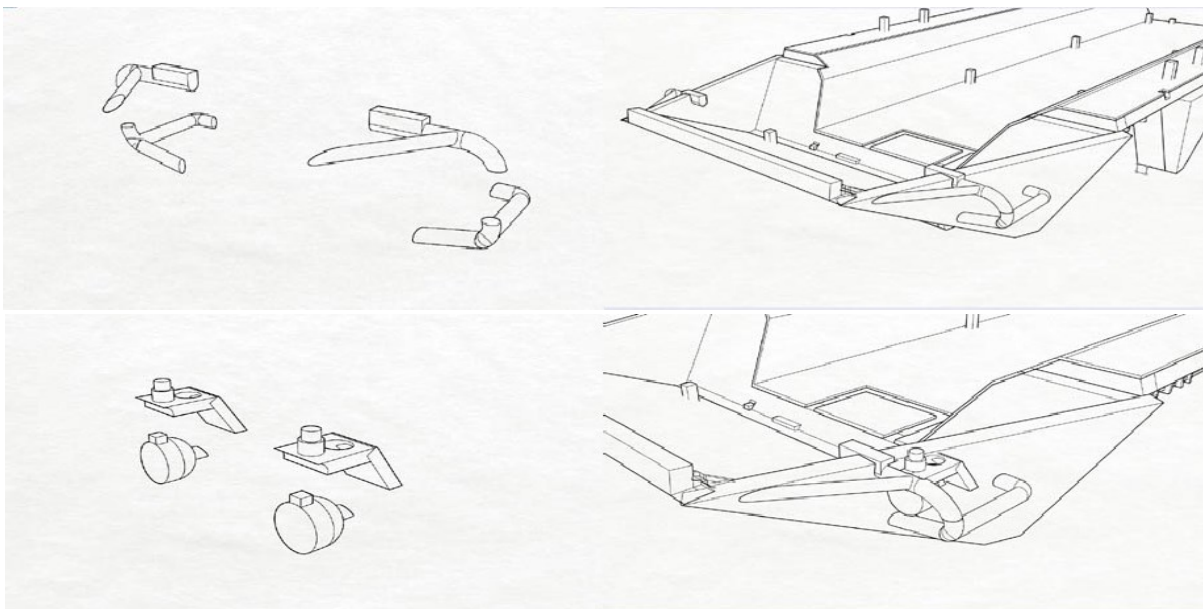
Emergency vehicle lighting and extra lights are on sprue E



Drivers position, parts from sprues A and B



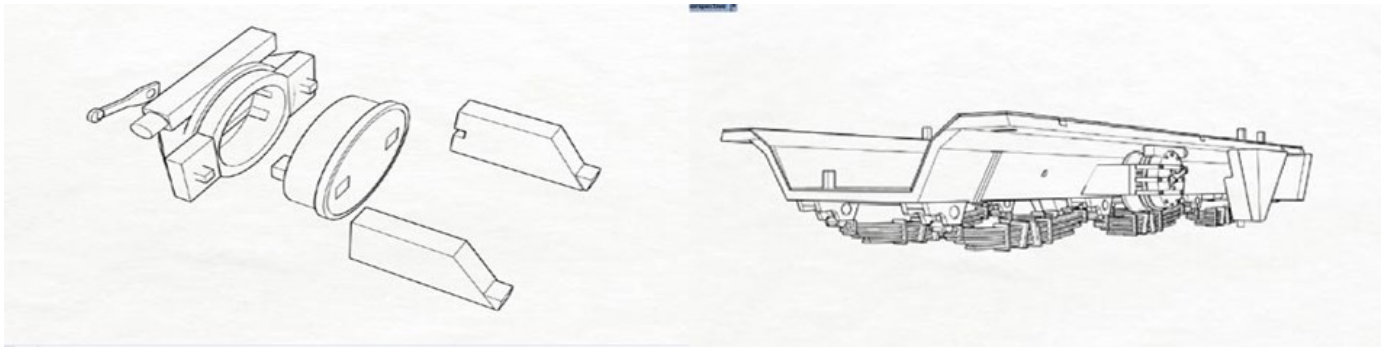
Headlights, sprue B



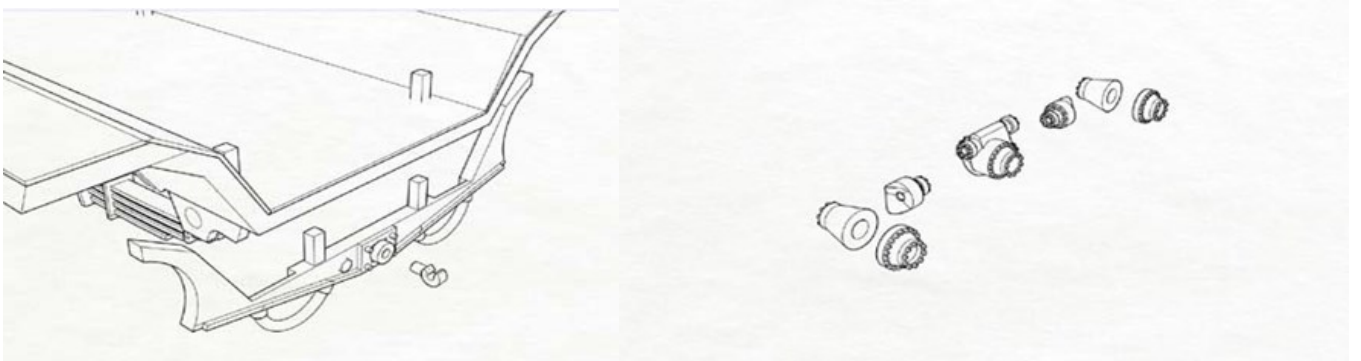
Suspension springs and underframe details, sprue B



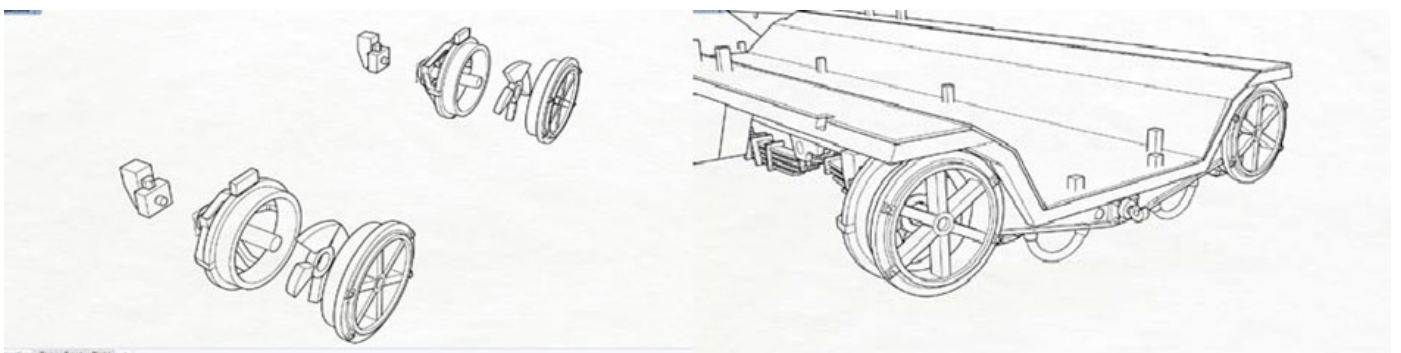
Winch, sprue B



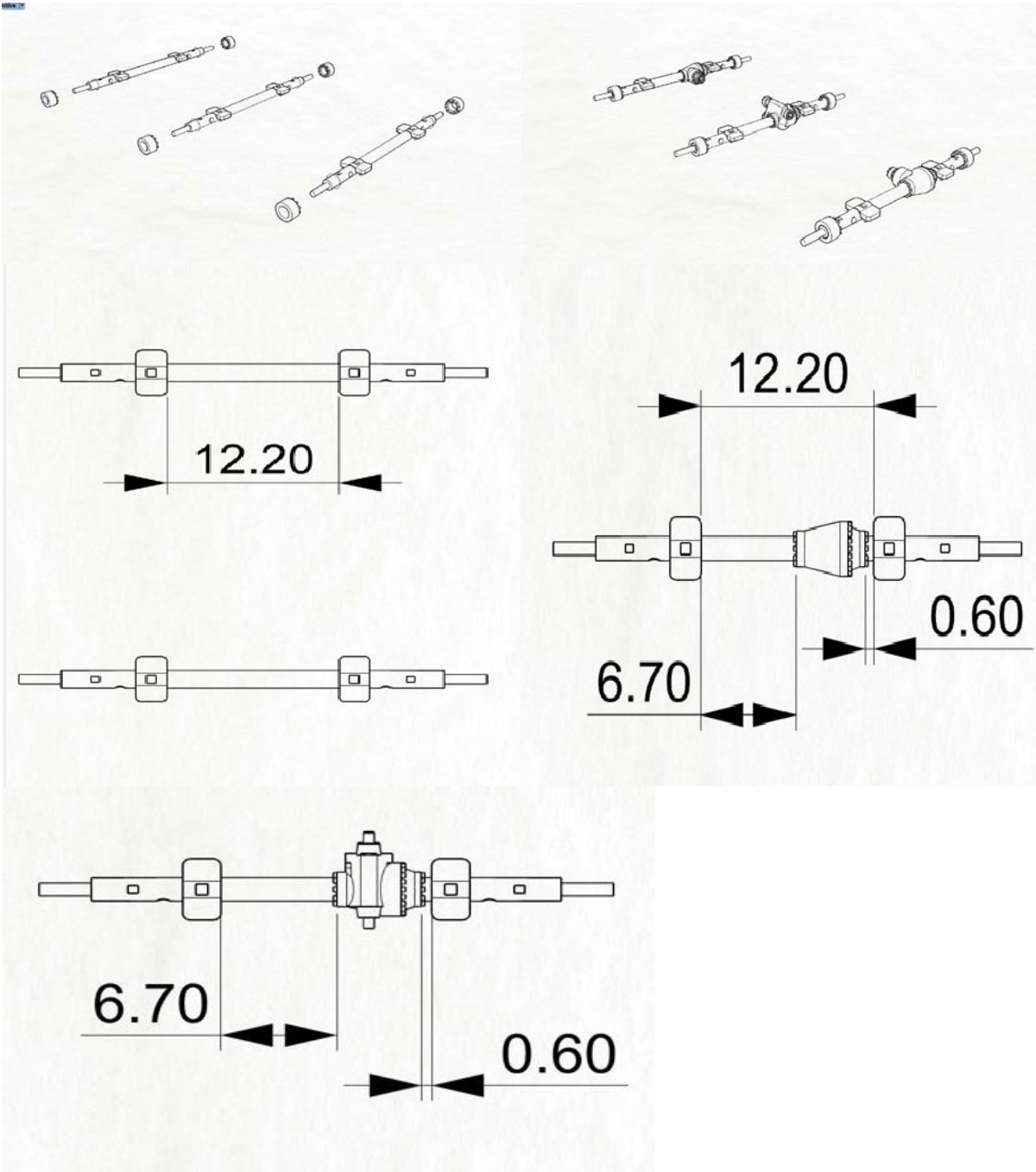
End of the vehicle, sprue B and differential gear, sprue E



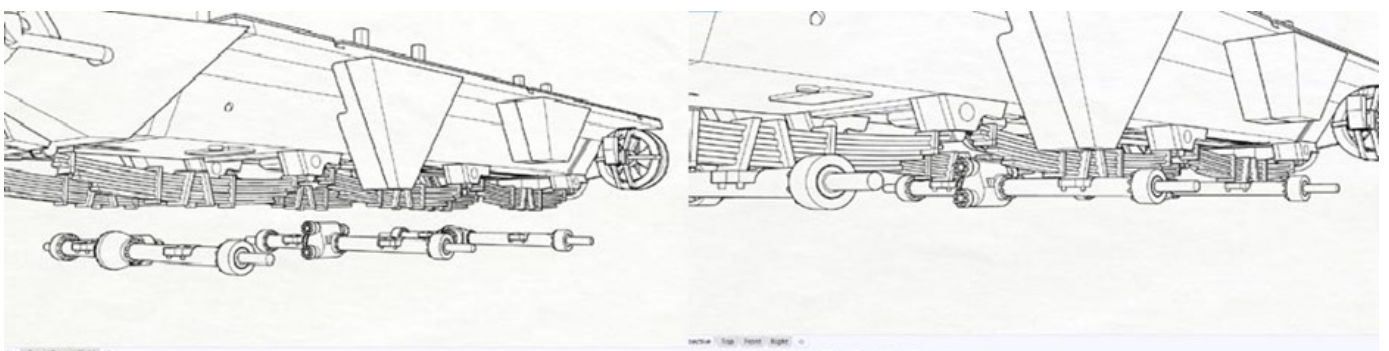
Four-bladed propeller, sprue B



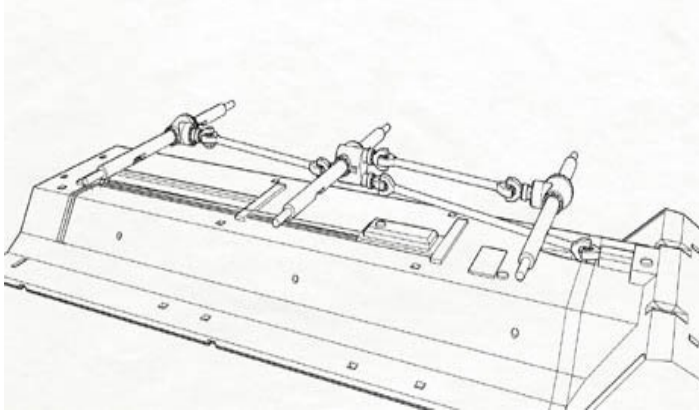
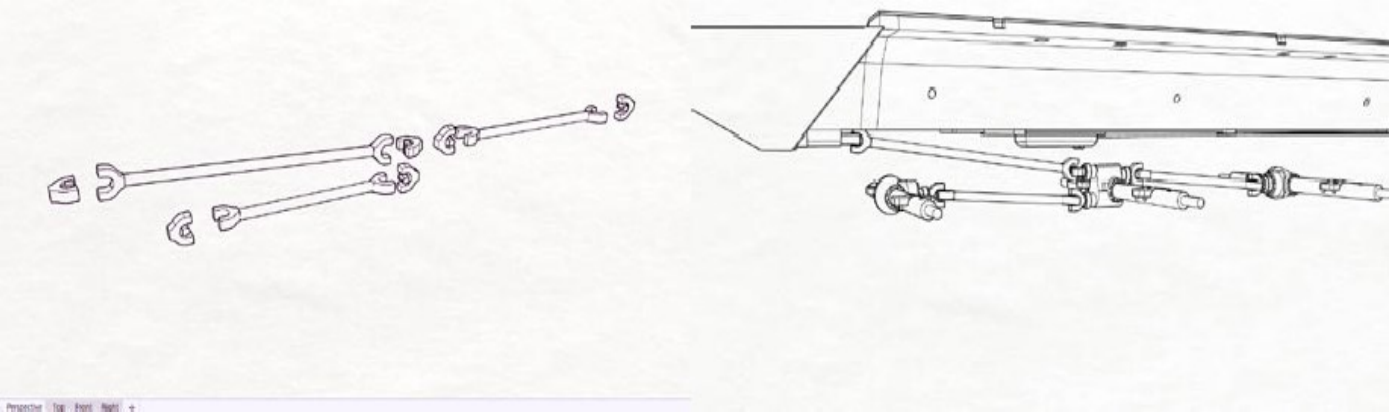
All axle and driving shaft parts are on sprue E. Cut the axle 3-4mm from right side, add differential and glue axles together, Notice, that you measure length of the axle (see measurements below).



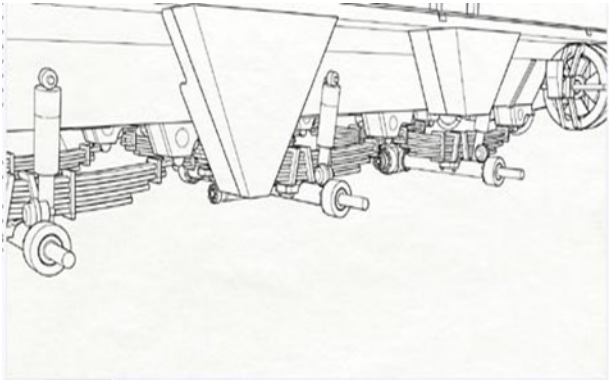
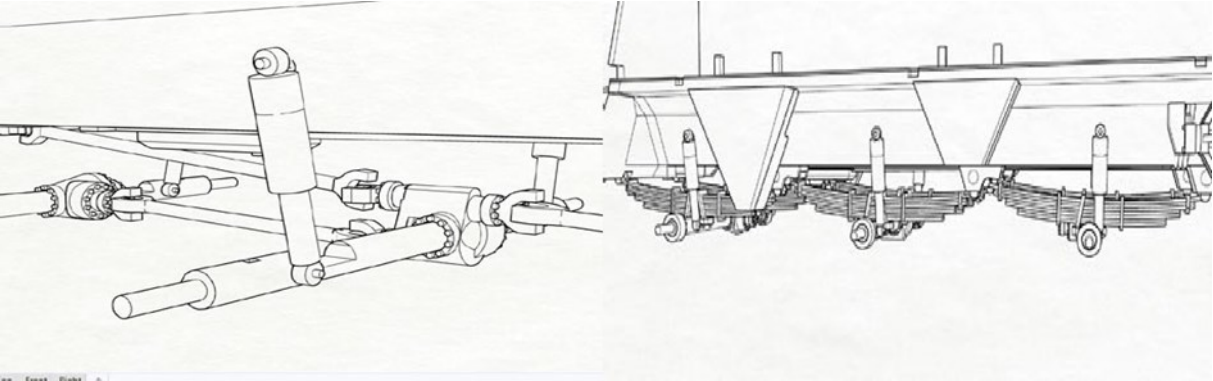
Placement of drive gear. Dry fit the parts before gluing them!



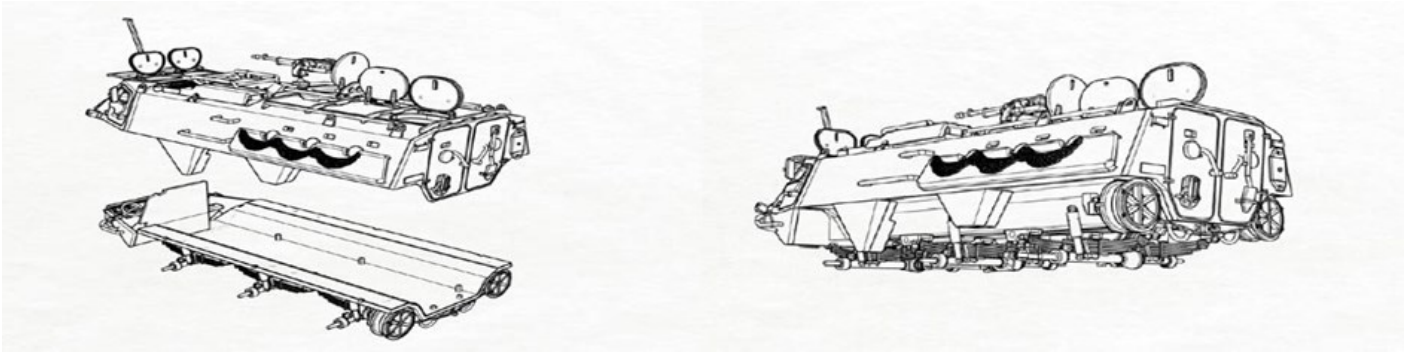
Placing cardan shafts



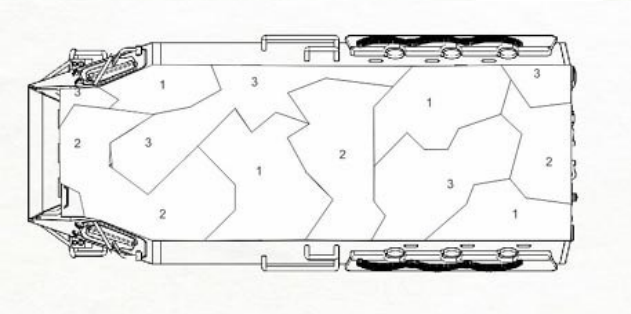
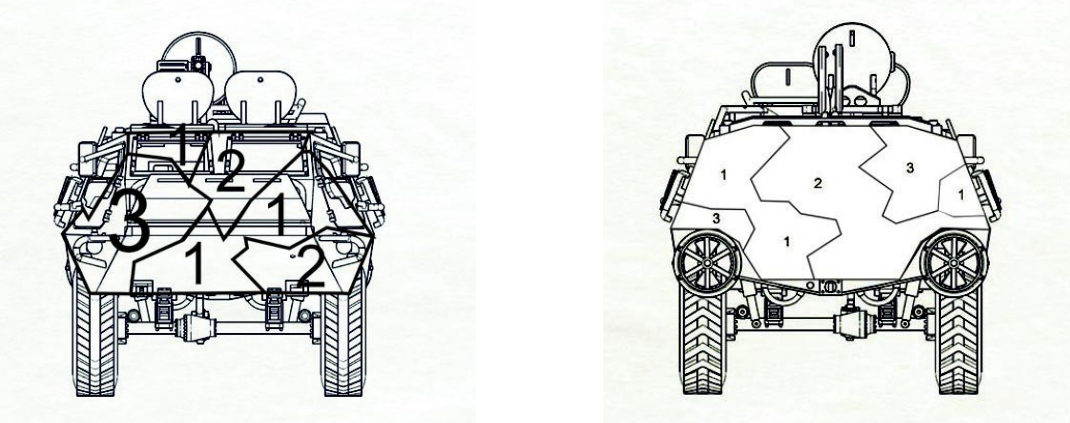
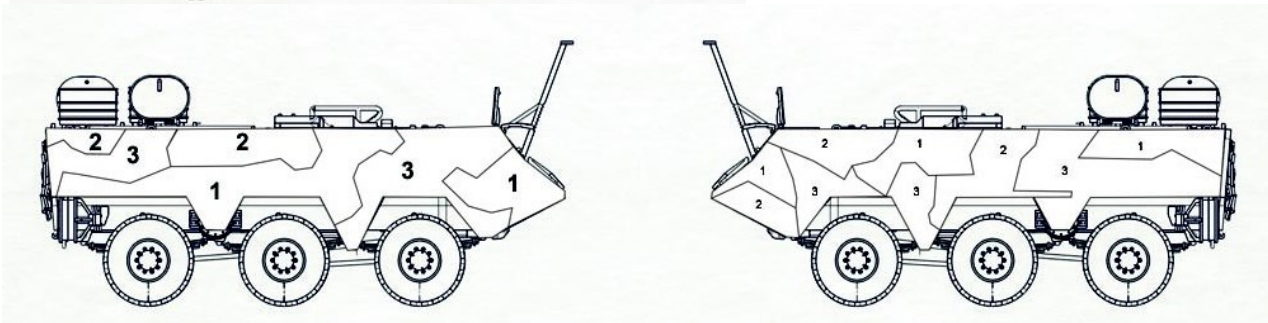
Position of shock absorbers and brake bells



Connecting body and underframe. Remember to insert window sheets before closing the top parts together.



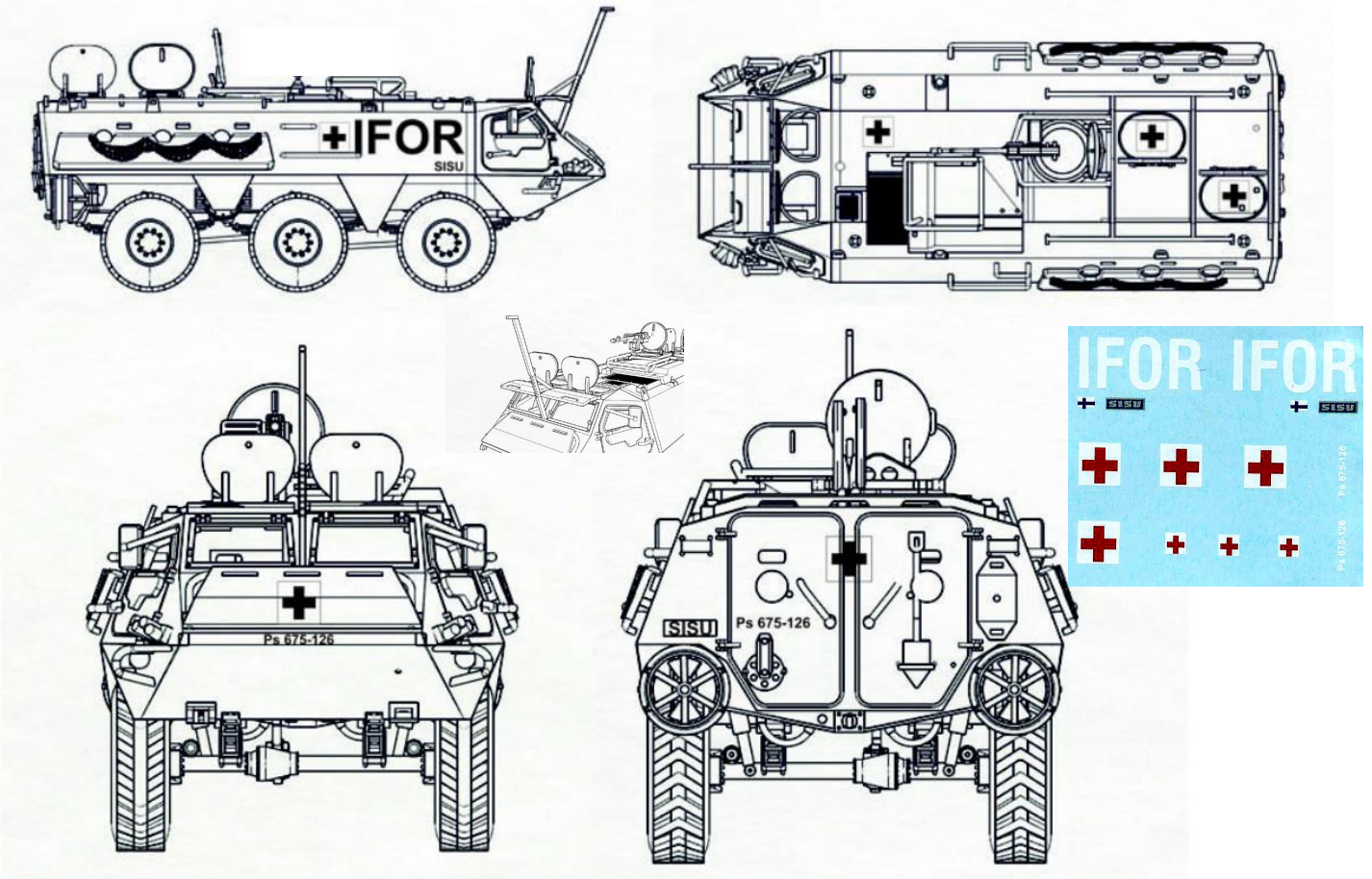
Wheel assembly as layers, note that last axle is not steerable and has different inside.



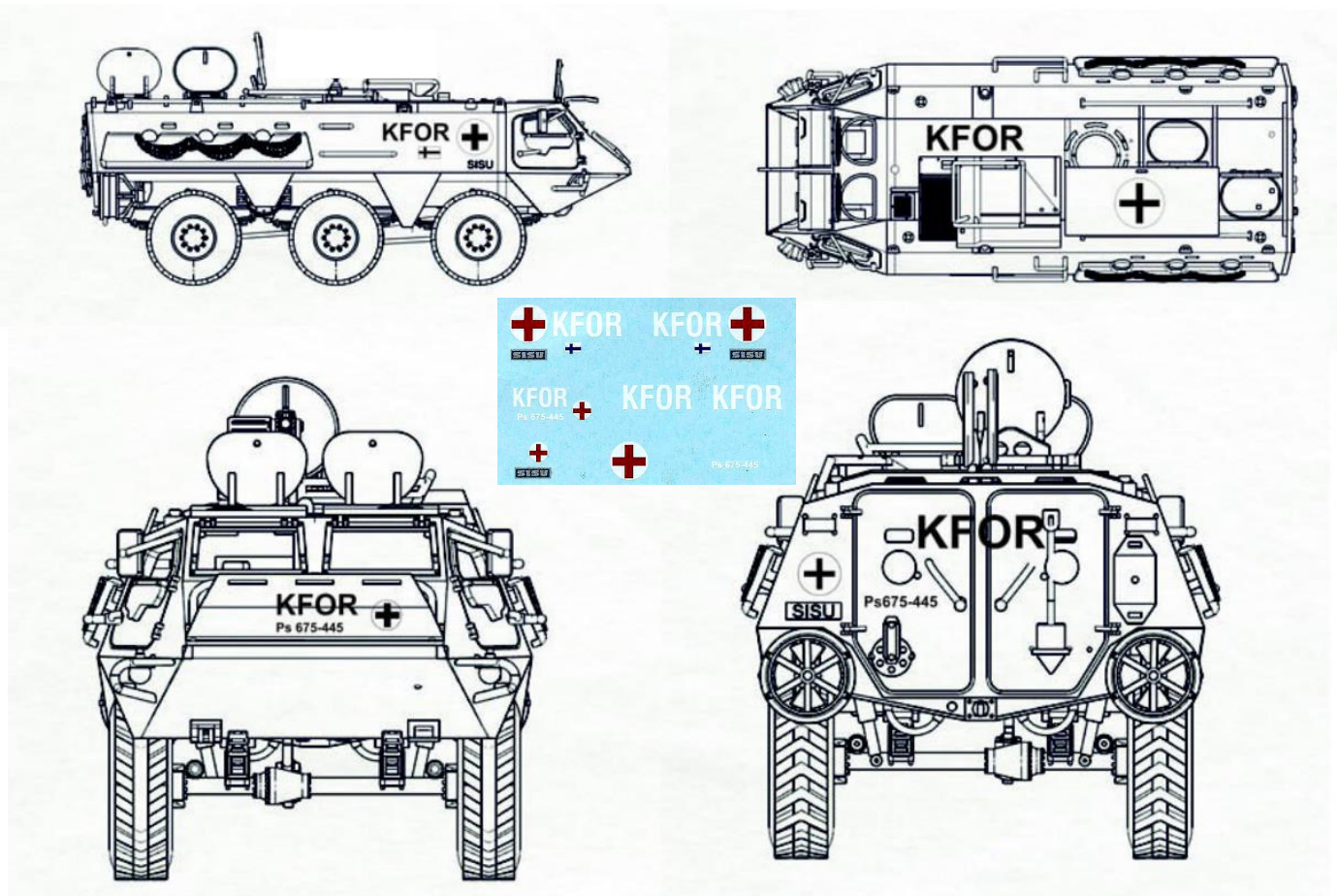
Camo painting pattern for all versions: 1= dark green, 2= black, 3 = lighter green, for reference see pictures in the last pages of the instruction sheet.



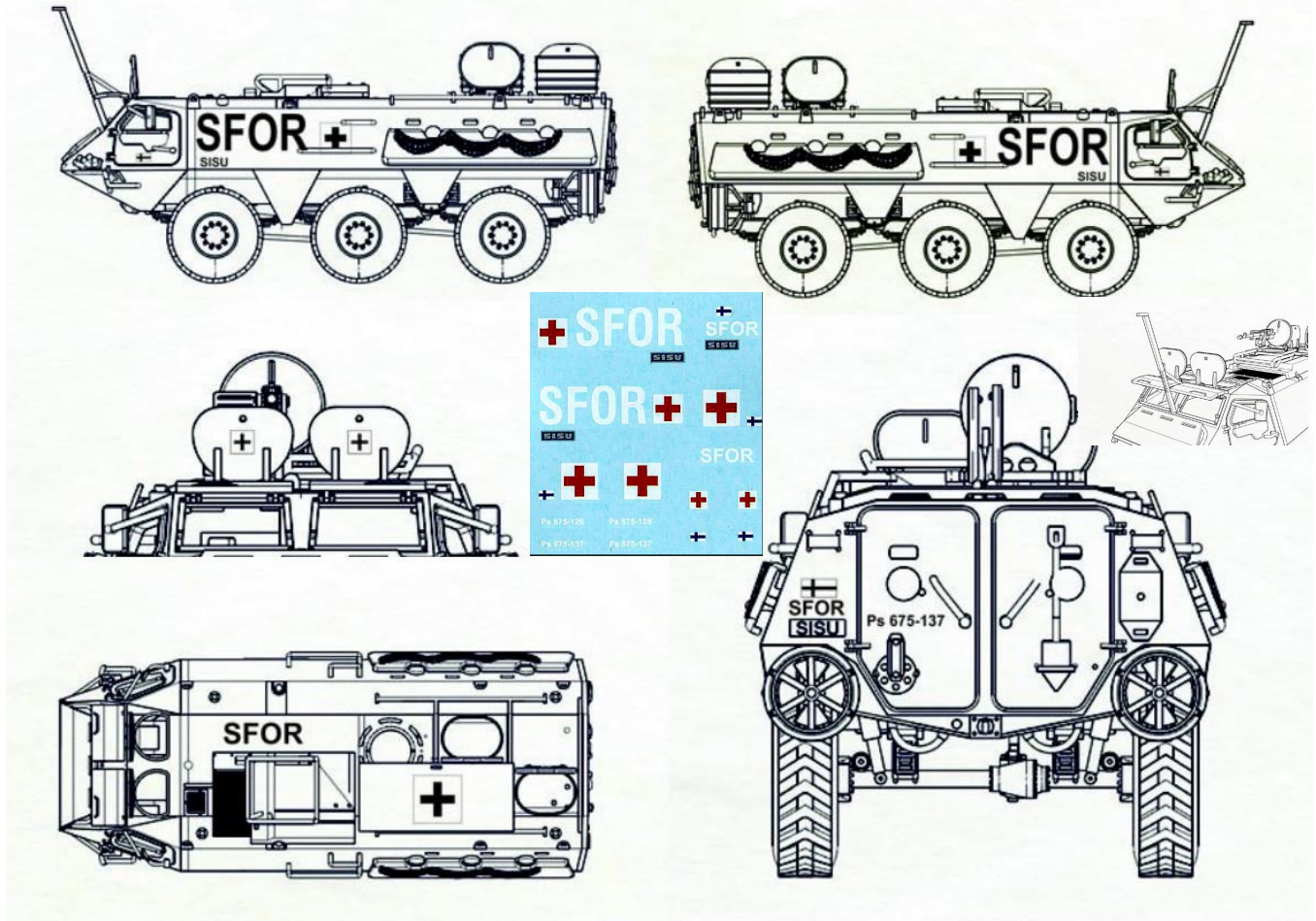
Markings for Finnish IFOR ambulance Ps 675-126. Paint scheme = Finnish 3-tone camo. Wire cutter bar from Sprue E.



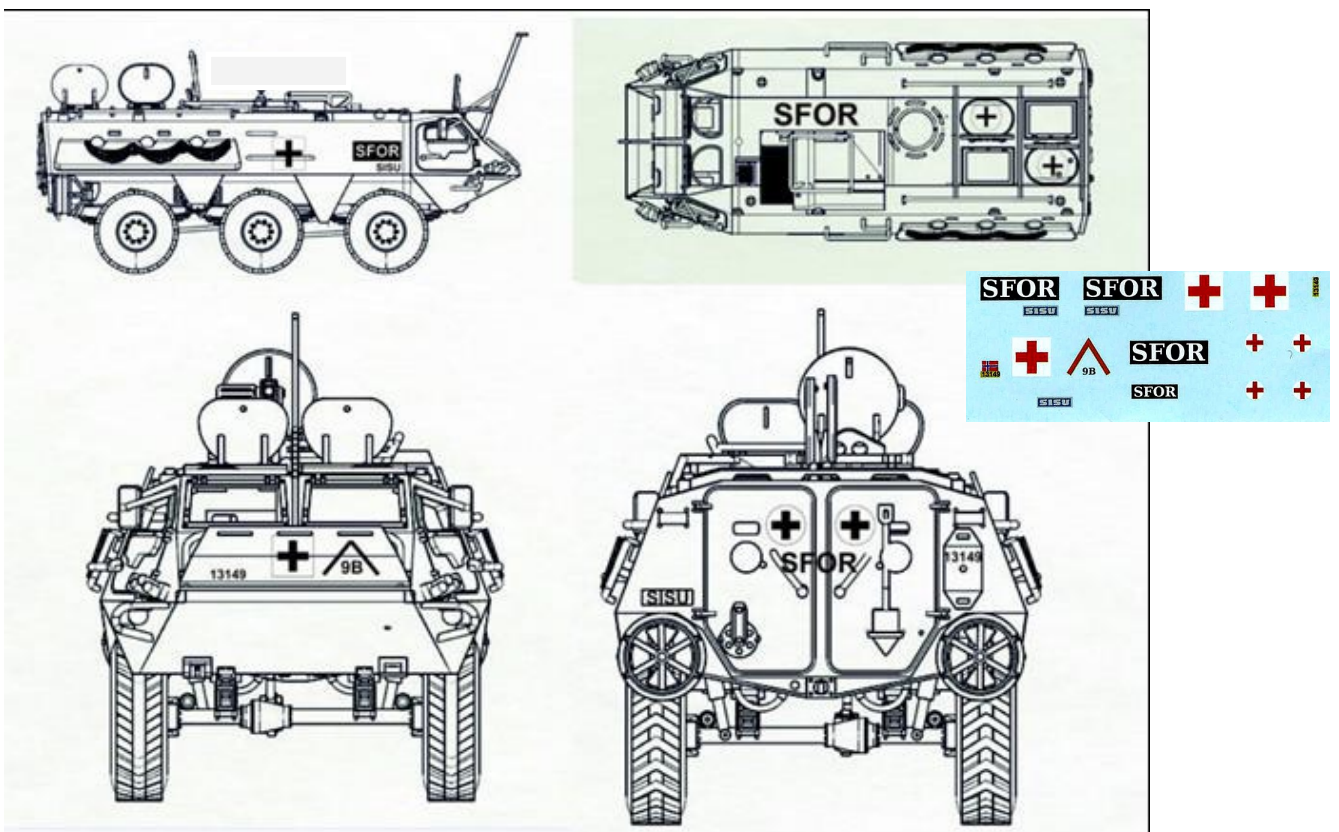
Marking placement for Finnish KFOR ambulance Ps 675-445 – note that this version has only one roof box.



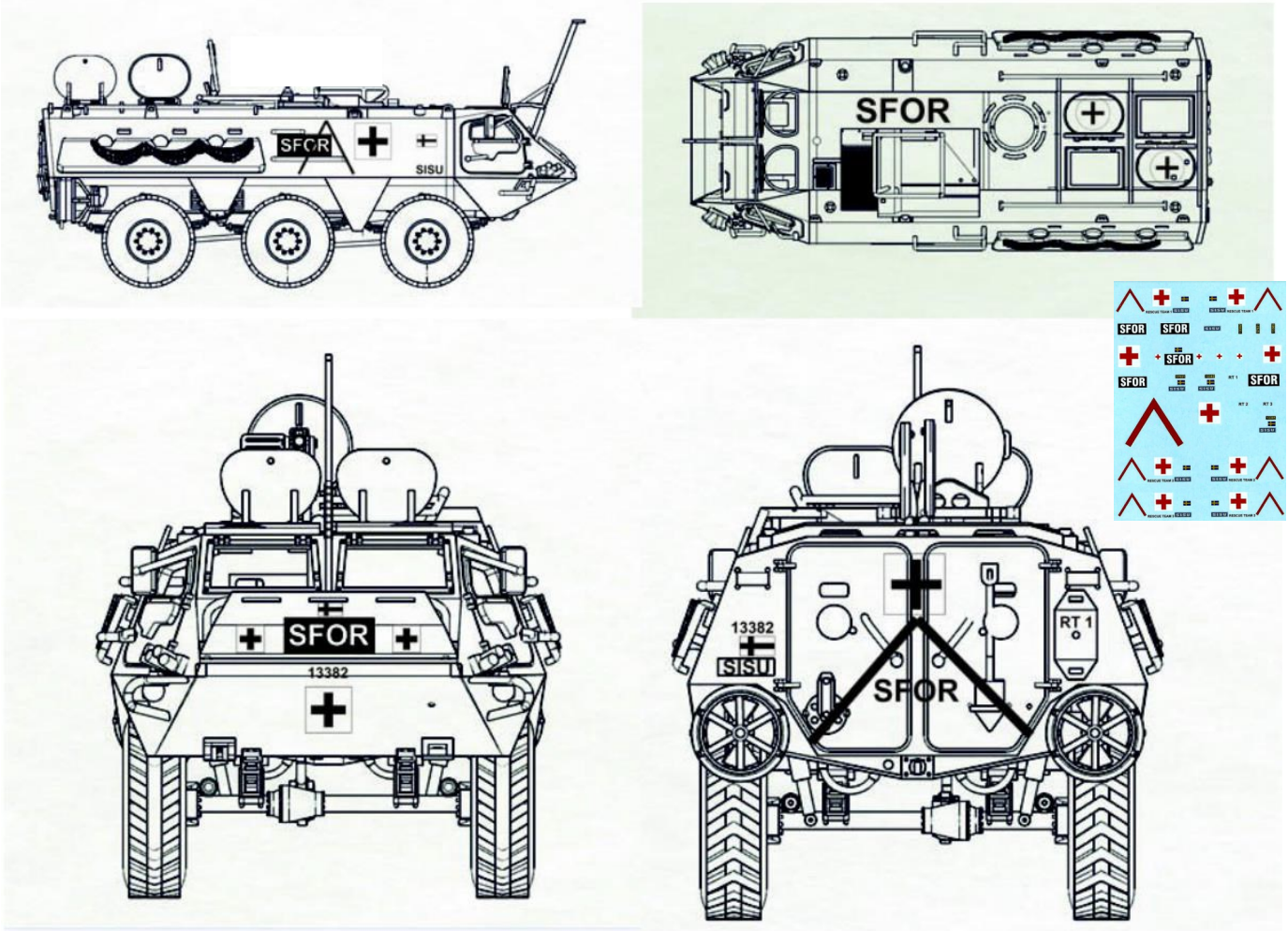
Marking placement for Finnish SFOR ambulance Ps 675-137. Note that this version has longer roof box and wire cutter bar from sprue E. Paint scheme = Finnish 3-tone camo.



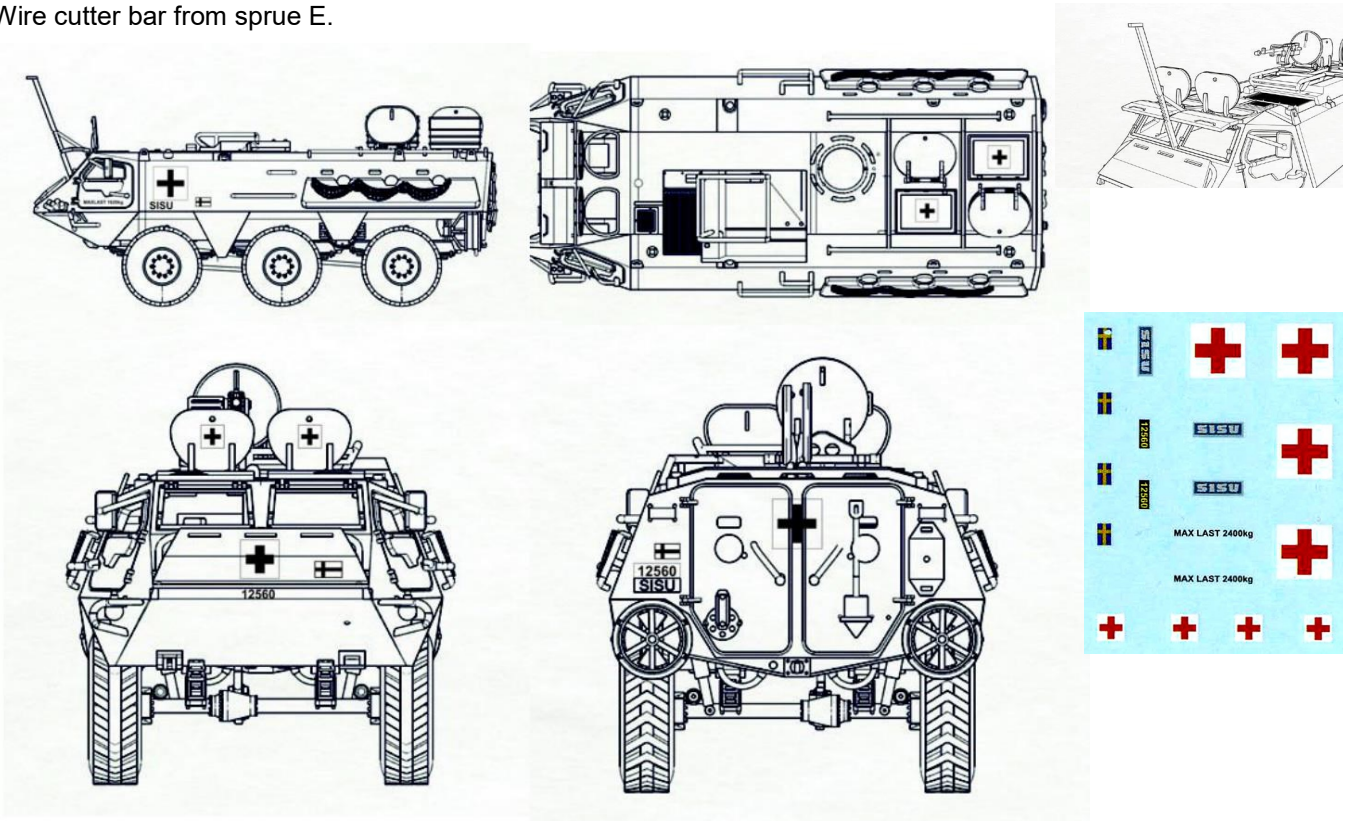
Marking placement for Norwegian SFOR ambulance 13149. Camo scheme = Finnish 3-tone scheme
Wire cutter bar from sprue E.



Marking placement for Swedish SFOR ambulance (Rescue team). Wire cutter from sprue E.
 Paint scheme = white



Marking placement for Swedish ambulance 12560. Color = Nato green
 Wire cutter bar from sprue E.





Combat Models
malliharrastajan tavaratalo

in co-operation with

FinMilModels