

Clear Prop!

ADVANCED



UH-2C SEASPRITE

1:72
model # 72017



scale model kit

MAIN ROTOR DIAMETER: 187 mm ✪ LENGTH: 223 mm ✪ NUMBER OF PARTS: 254 pcs

- 1** stages of assembly
- ?** optional
- A** variants of assembly
- glue by super glue
- A1** part number
- do not glue
- fill with putty
- make a hole
- apply decals
- detach with knife
- apply the adhesive mask
- paint
- bend
- repeat the operation N times

SH-2 Seasprite
Role
Manufacturer
First flight
Primary user
Number built

Utility Helicopter
Kaman Aircraft Corporation
2 July 1959 (HU2K-1)
United States Navy
184

The Kaman SH-2 Seasprite is a ship-based helicopter originally developed and produced by American manufacturer Kaman Aircraft Corporation. It has been typically used as a compact and fast-moving rotorcraft for utility missions.

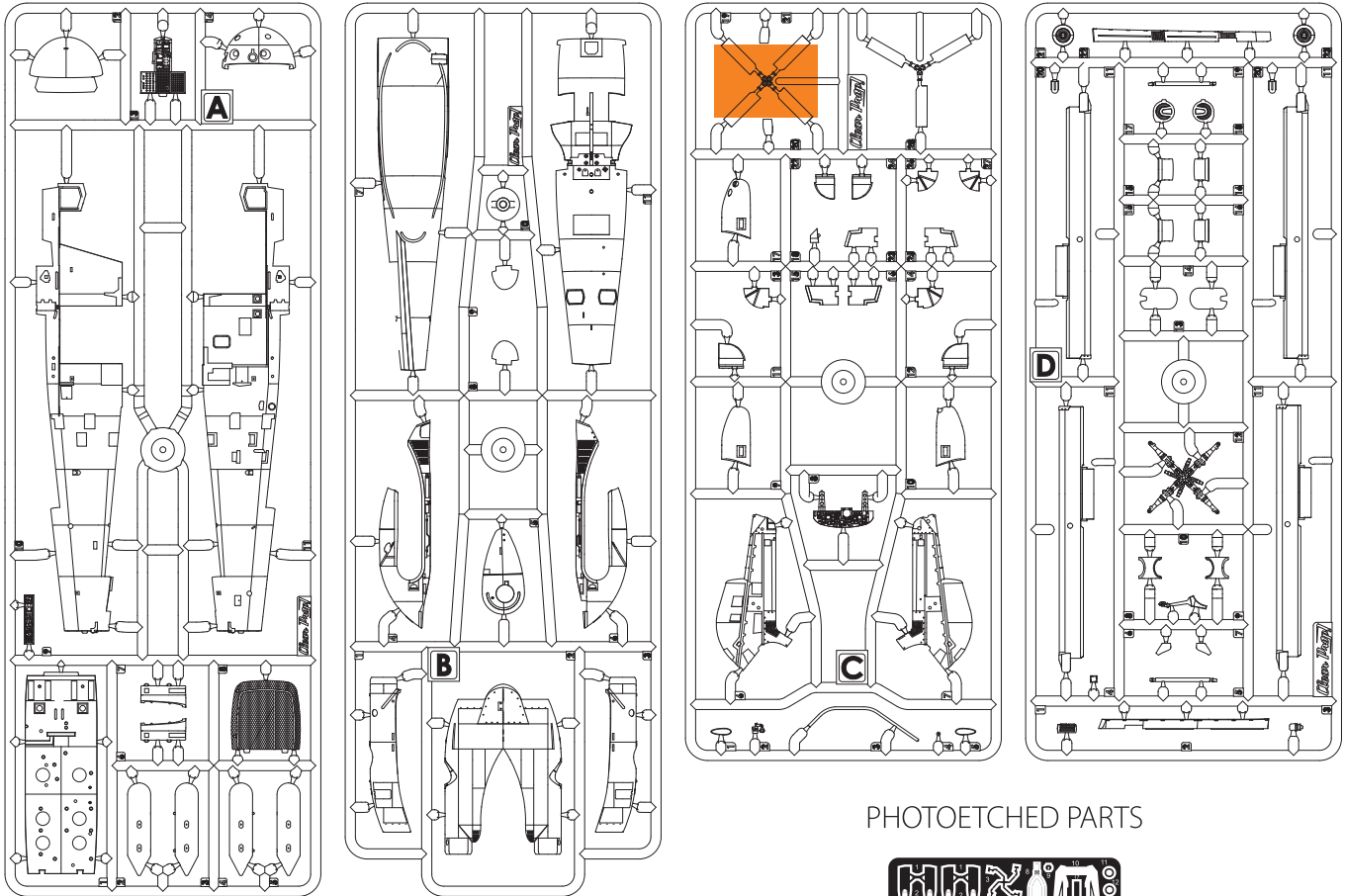
During 1962, the initial UH-2 model commenced its operational service with the U.S. Navy. The U.S. Navy quickly determined that the helicopter's capabilities were greatly restricted by its single engine; thus, the service ordered Kaman to retrofit all of its Seasprites into a more capable twin-engine arrangement instead; when furnished with a pair of engines, the Seasprite was capable of attaining an airspeed of 130 knots and operating at a range of up to 411 nautical miles. The U.S. Navy would operate a total fleet of nearly 200 Seasprites to perform a variety of missions, ranging from anti-submarine warfare (ASW) operations, search and rescue (SAR) and utility transport. Under typical operational conditions, several UH-2s would be deployed upon each of the U.S. Navy's aircraft carriers in order to perform plane guard and SAR missions.

During the 1970s, the conversion of UH-2s to the SH-2 anti-submarine configuration provided the U.S. Navy with its first dedicated ASW helicopter capable of operating from vessels other than its aircraft carriers. The compact size of the SH-2 allowed the type to be operated from flight decks that were too small for the majority of helicopters; this factor would later play a role in the U.S. Navy's decision to acquire the improved SH-2F during the early 1980s.

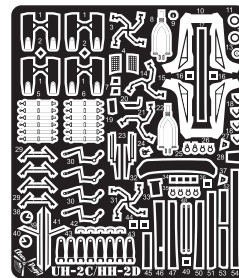
REQUIRED PAINTS

- | | | | | | | | | |
|--|---|--|---|---|--|--|--|---|
| A | B | C | D | E | F | G | H | I |
| MR. COLOR 339
A.MIG-0908
ENGINE GRAY | MR. COLOR 98
A.MIG-0129
FLUORESCENT
RED ORANGE | MR. COLOR 329
A.MIG-0125
ORANGE YELLOW | MR. COLOR 3
A.MIG-0049
INSIGNIA RED | MR. COLOR 1
A.MIG-0050
WHITE | MR. COLOR 2
A.MIG-0046
BLACK | MR. COLOR 8
A.MIG-0195
SILVER | MR. COLOR 337
A.MIG-0210
BLUE GRAY | MR. COLOR 307
A.MIG-0208
DARK GHOST
GRAY |
| J | K | L | M | N | O | P | | |
| MR. COLOR 55
A.MIG-0056
KHAKE | MR. COLOR 137
A.MIG-0033
TIRE BLACK | MR. COLOR 61
A.MIG-0187
BURNT IRON | MR. COLOR 325
A.MIG-0241
GRAY | MR. COLOR 47
A.MIG-0093
RED CRYSTAL | MR. COLOR 138
A.MIG-0092
GREEN CRYSTAL | MR. COLOR 5
A.MIG-0123
DARK BLUE | by MIG Jimenez | |

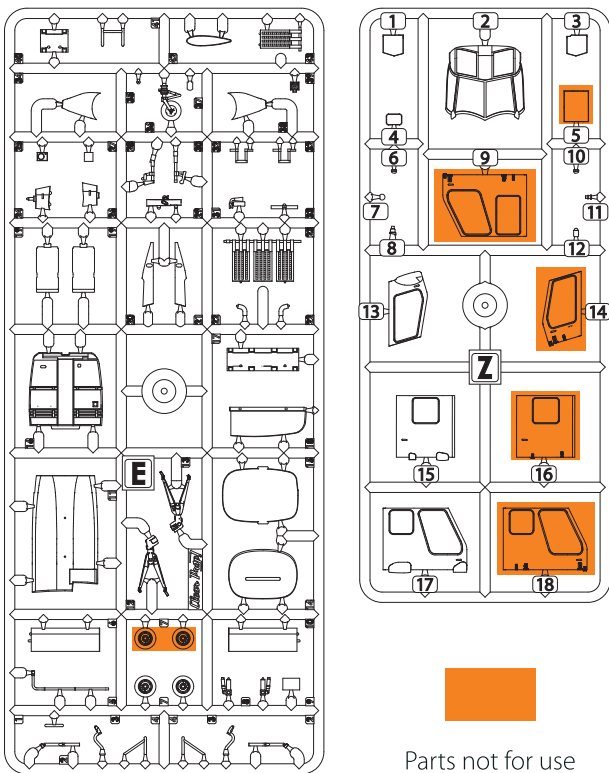
THIS MODEL IS PRODUCED FOR EXPERIENCED MODELERS OVER 14 YEARS



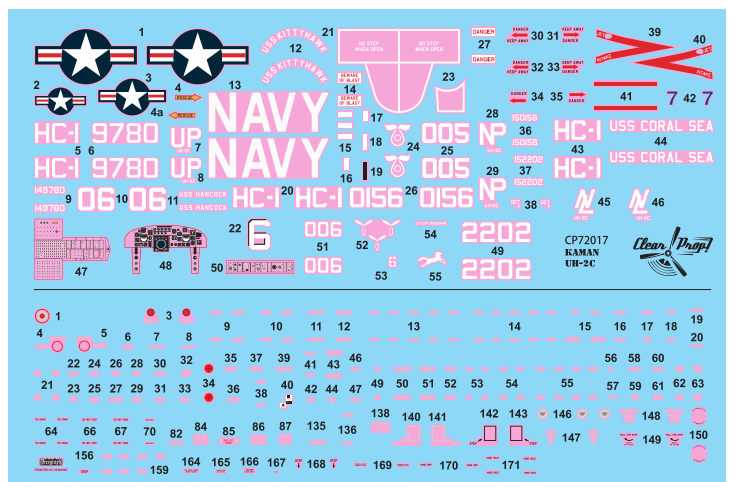
PHOTOETCHED PARTS

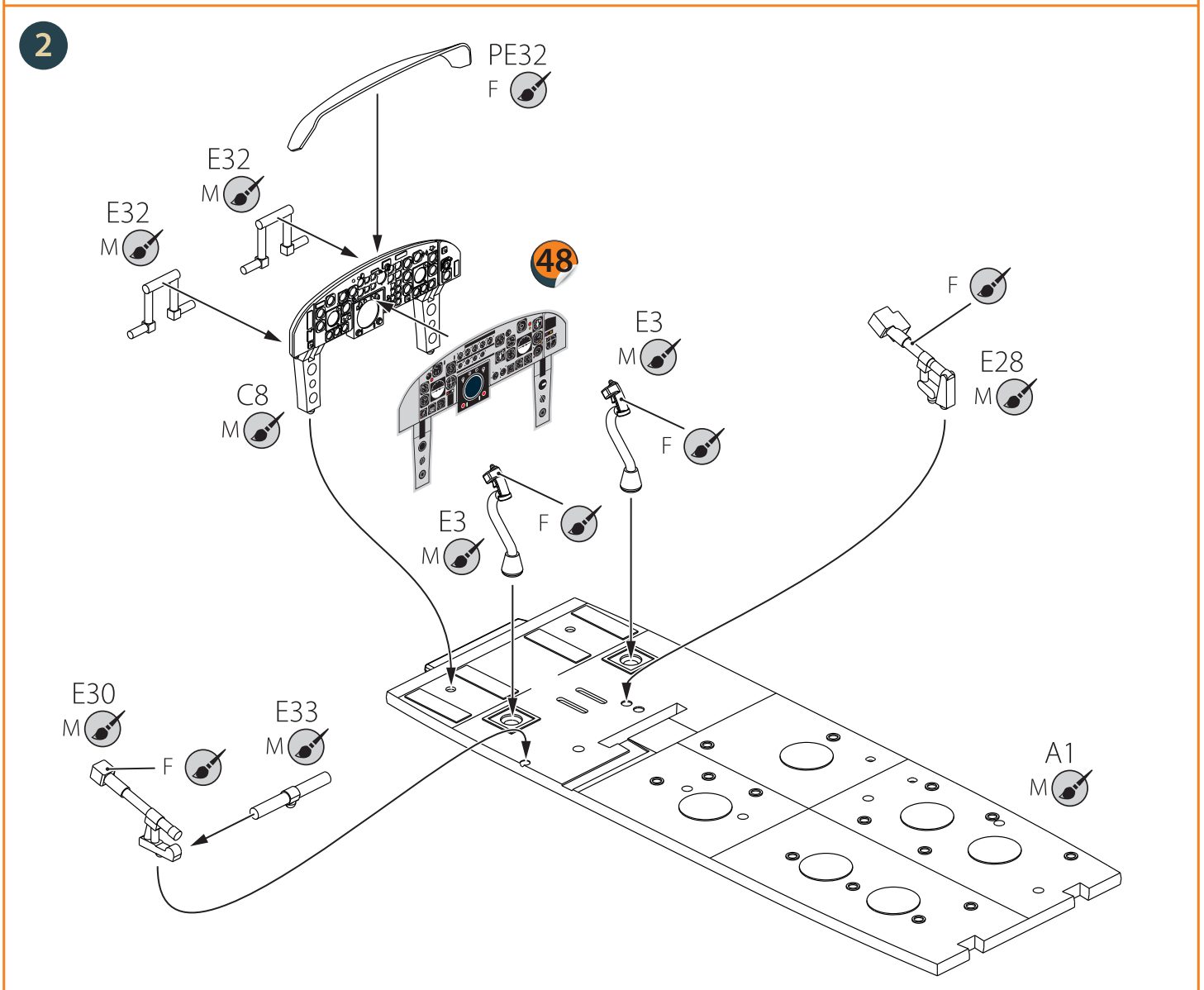
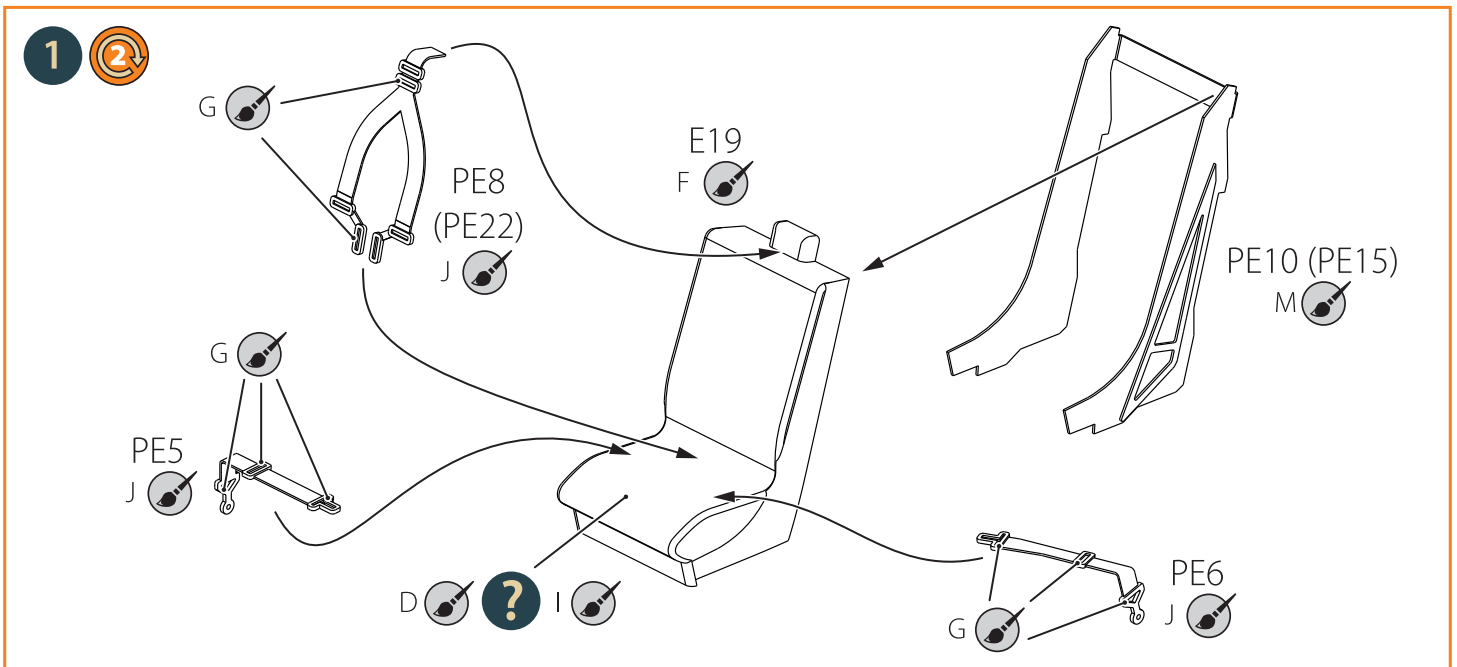


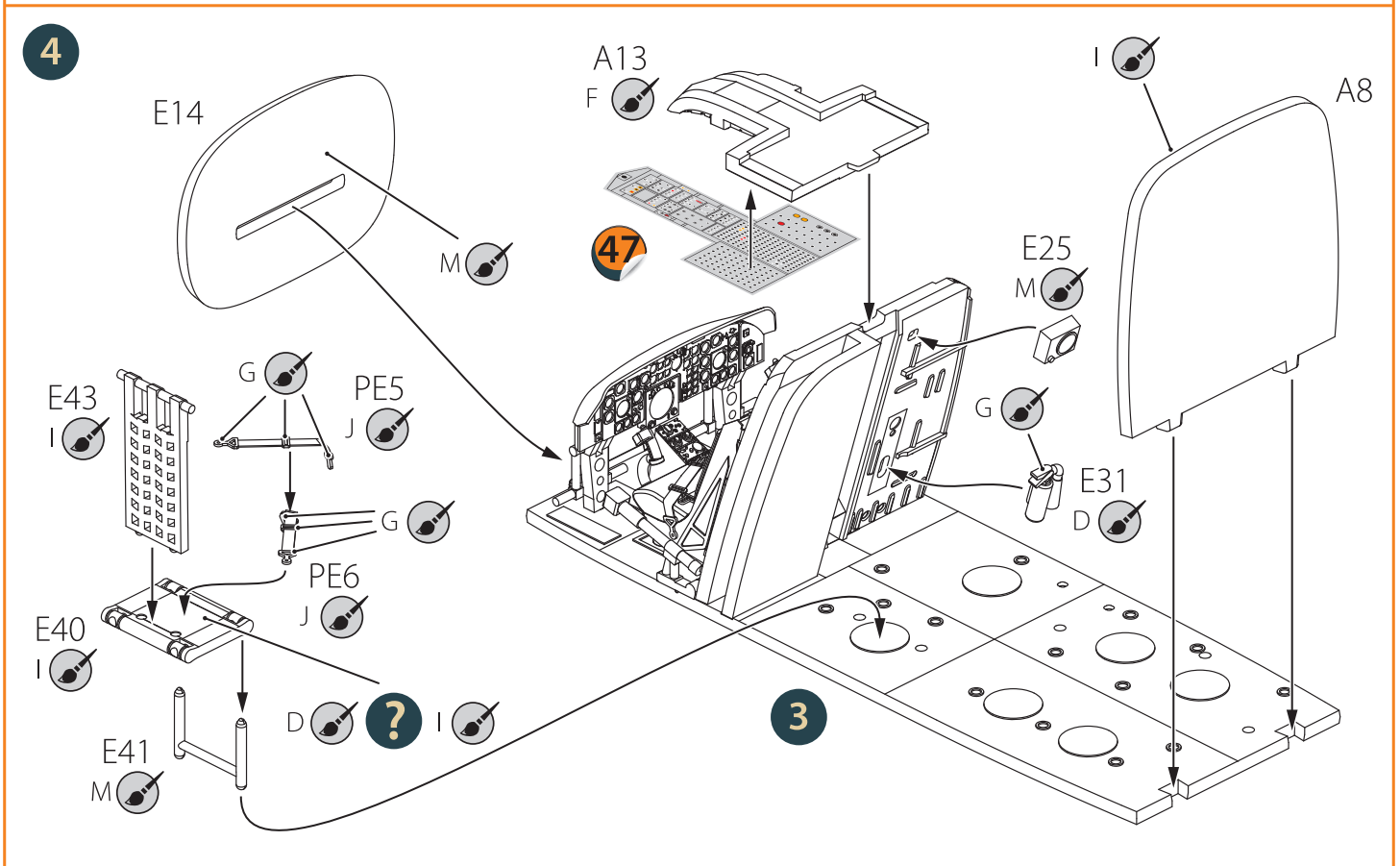
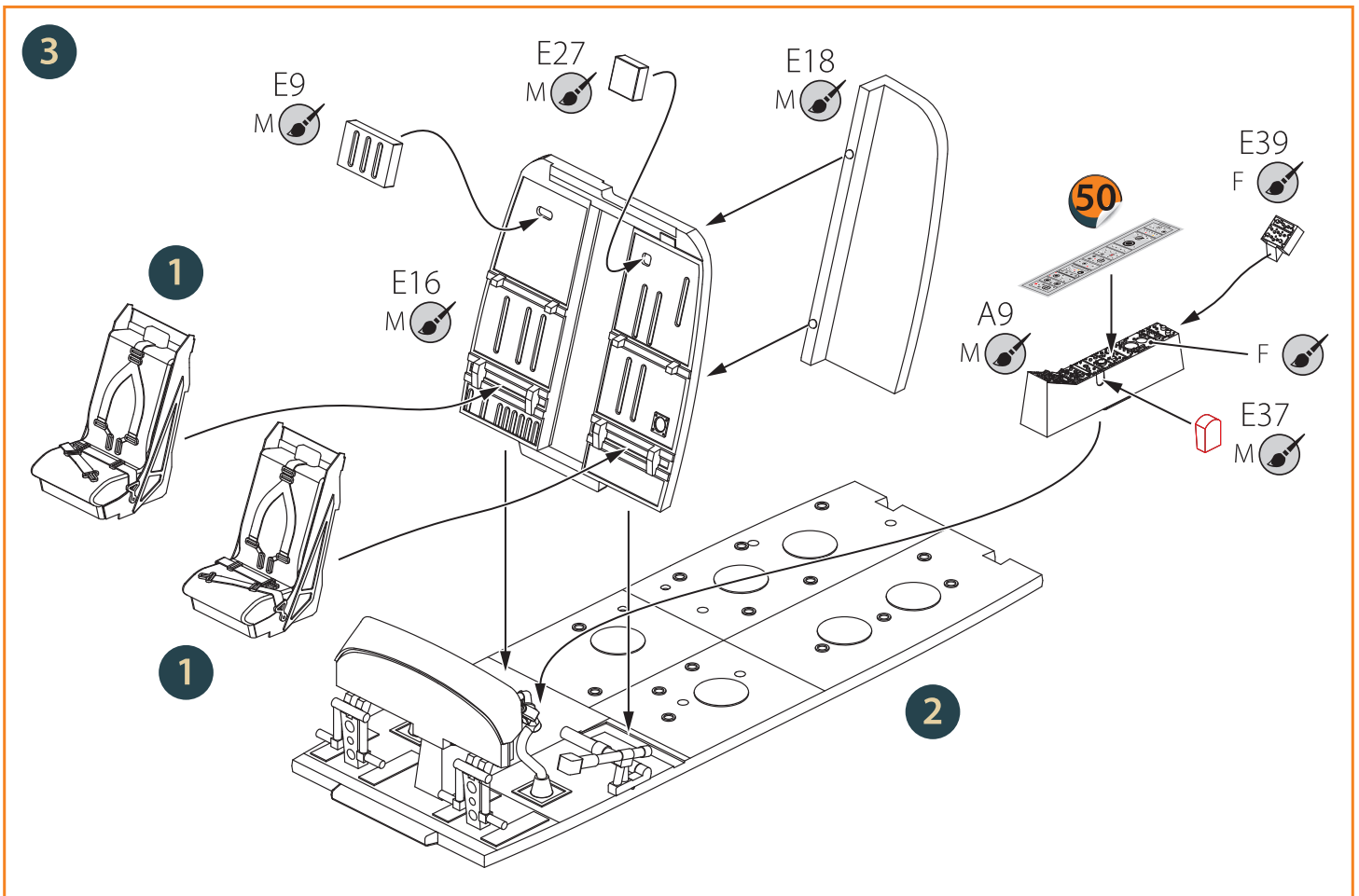
DECAL SHEET

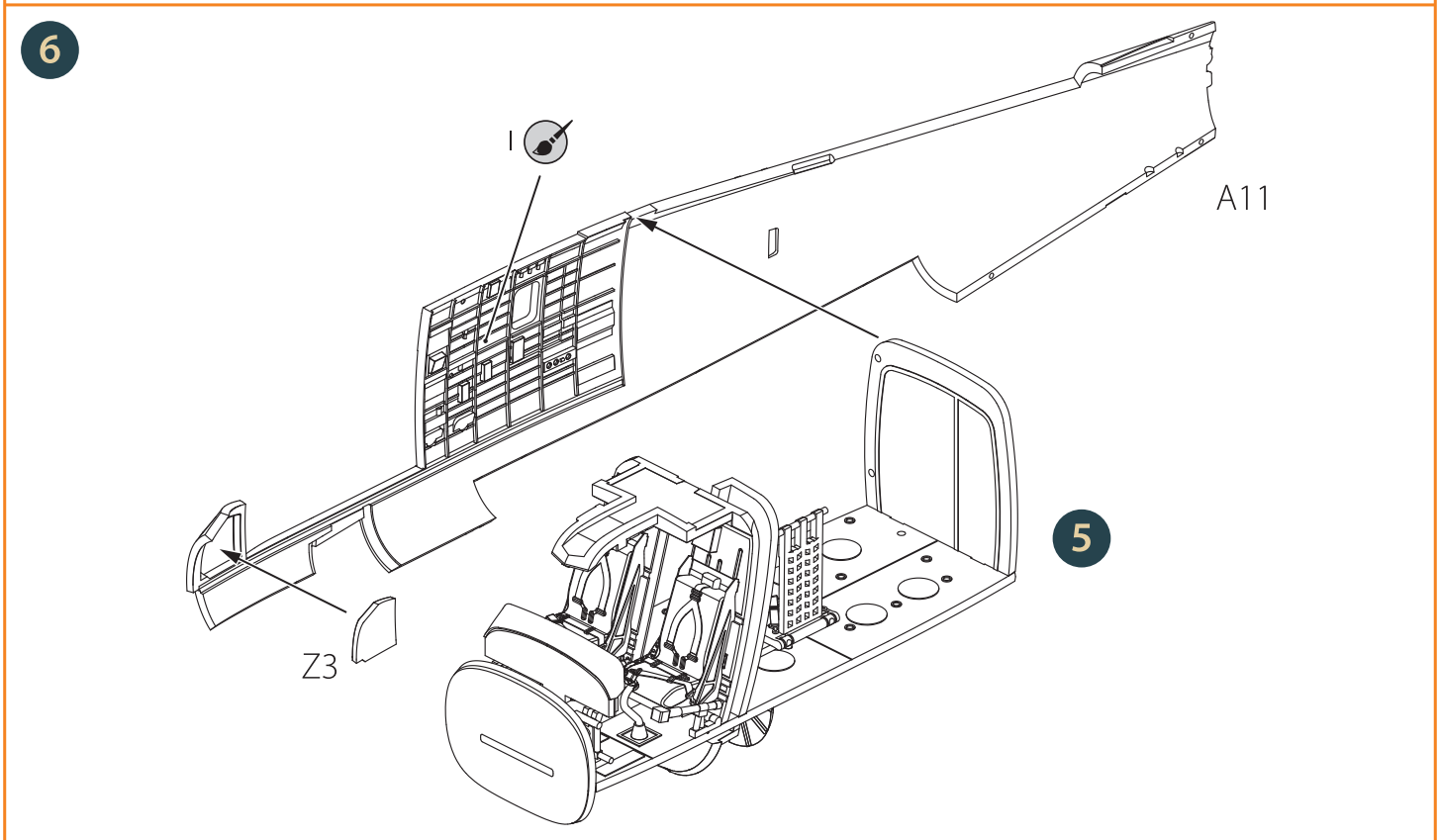
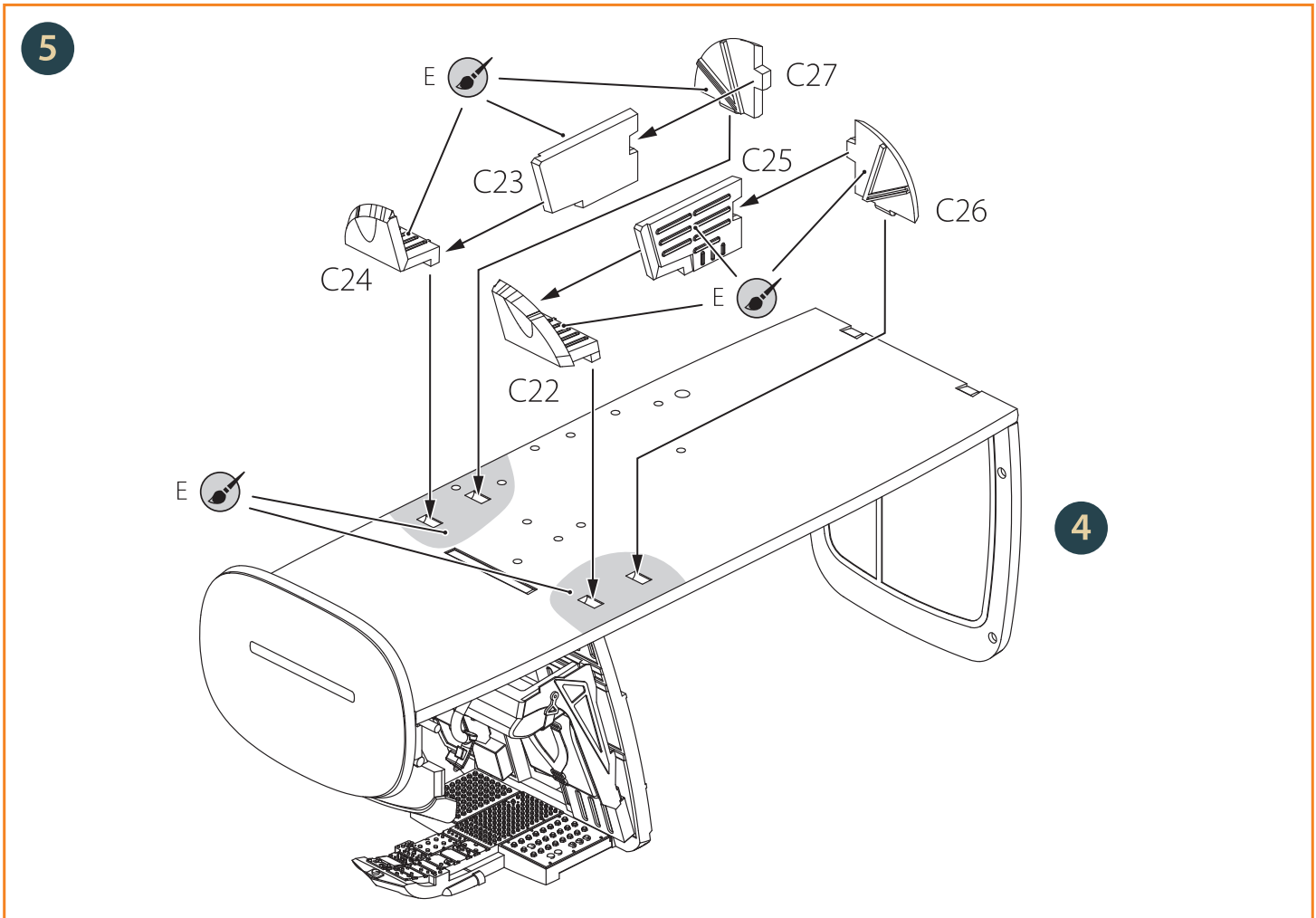


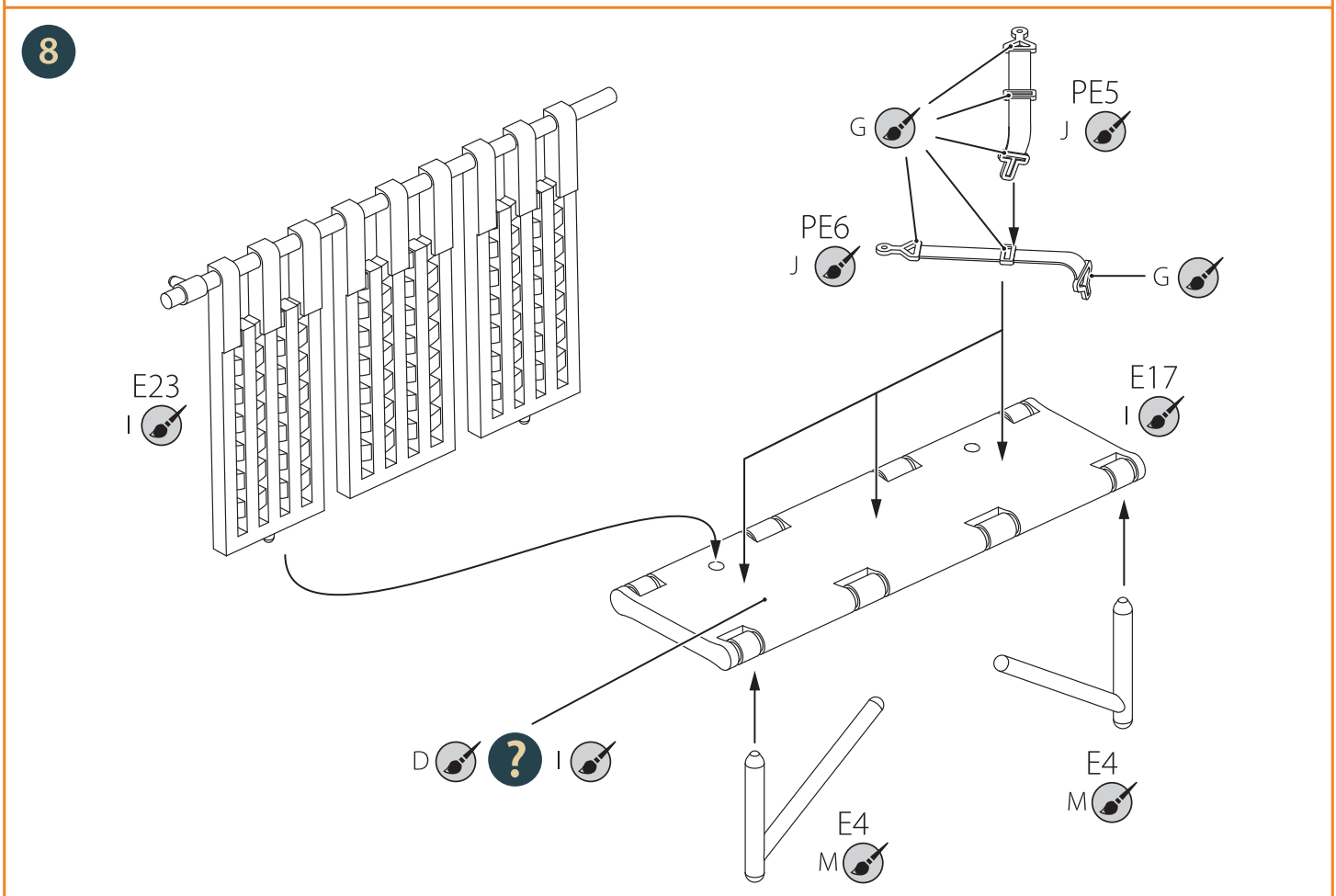
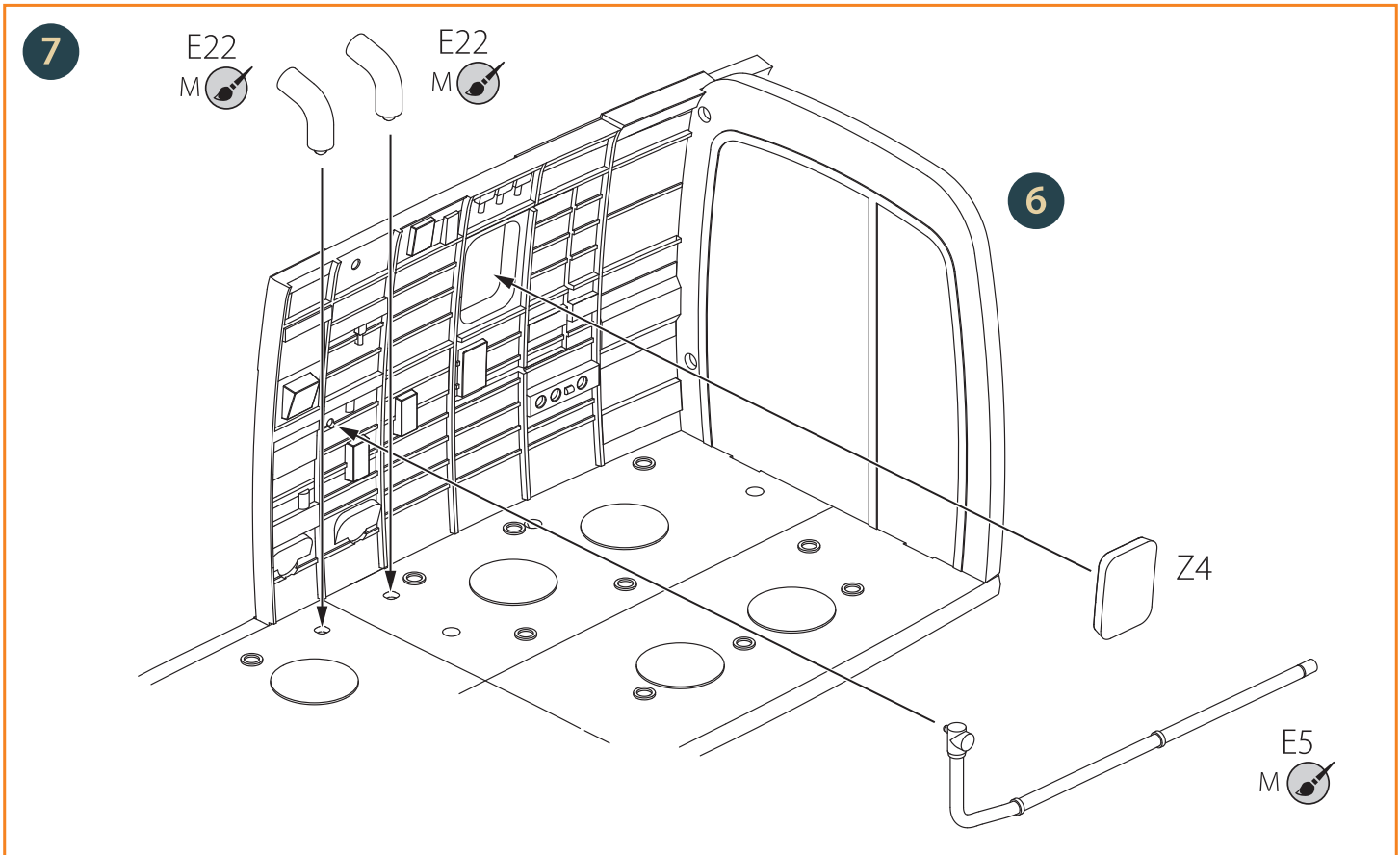
Parts not for use

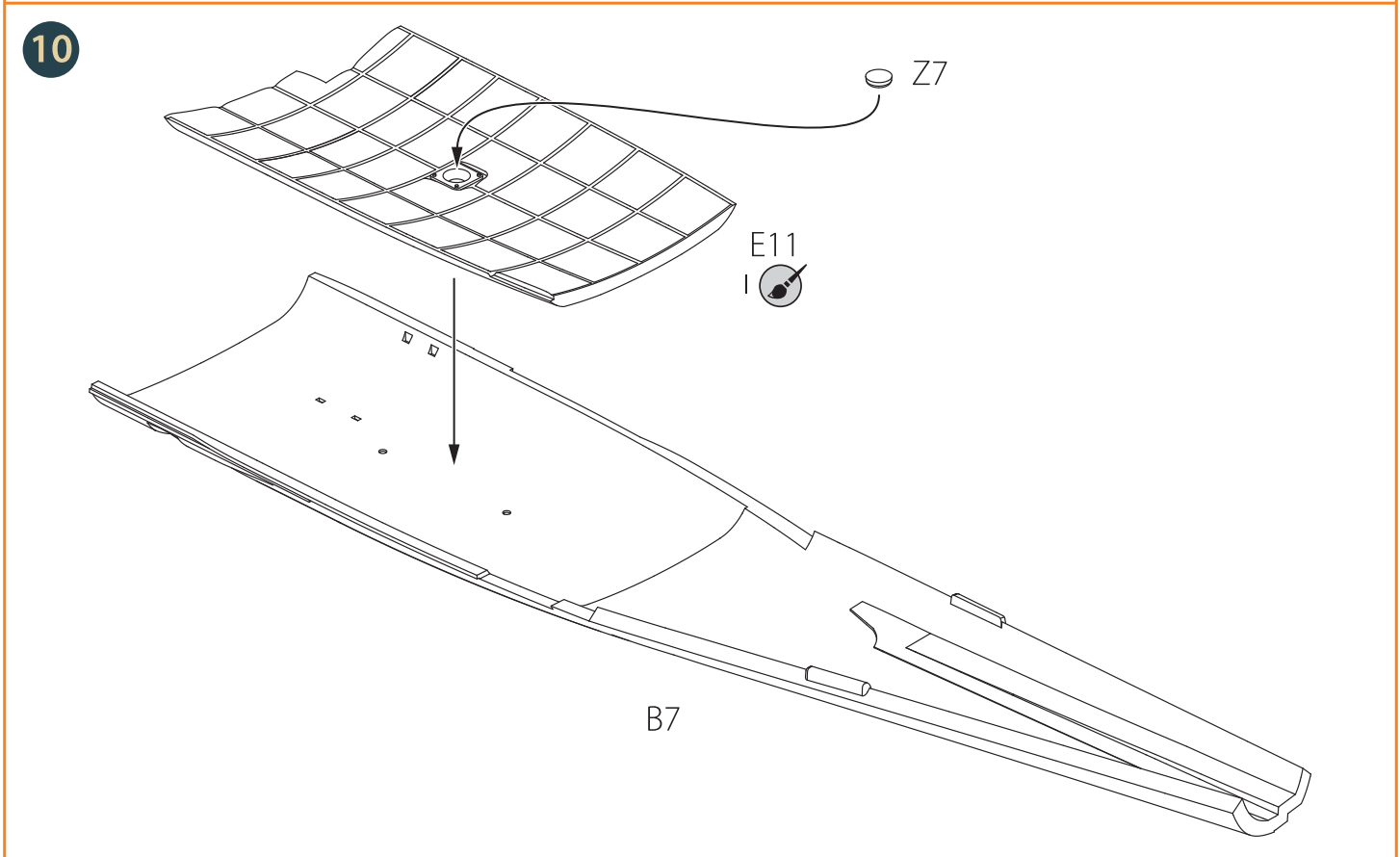
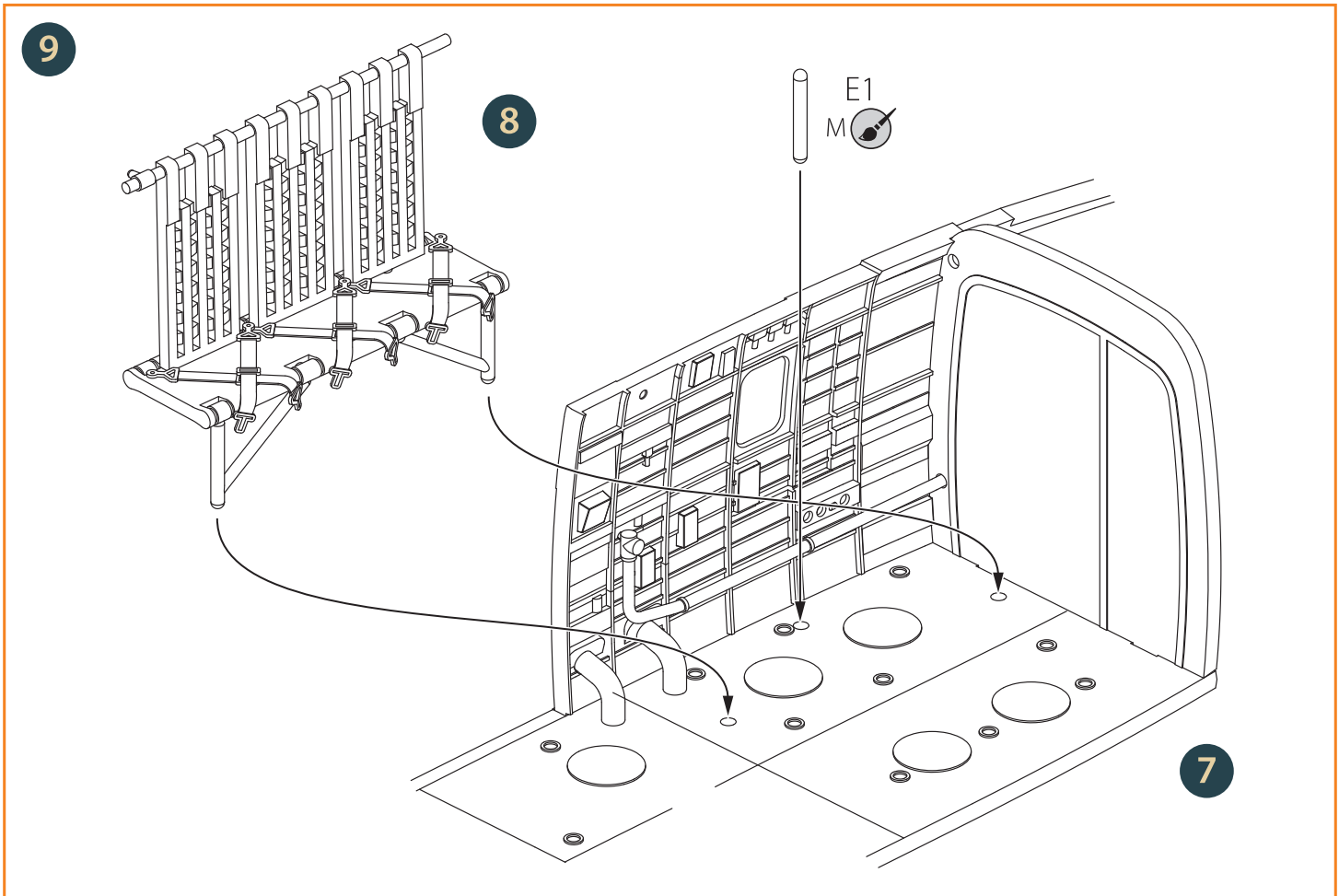


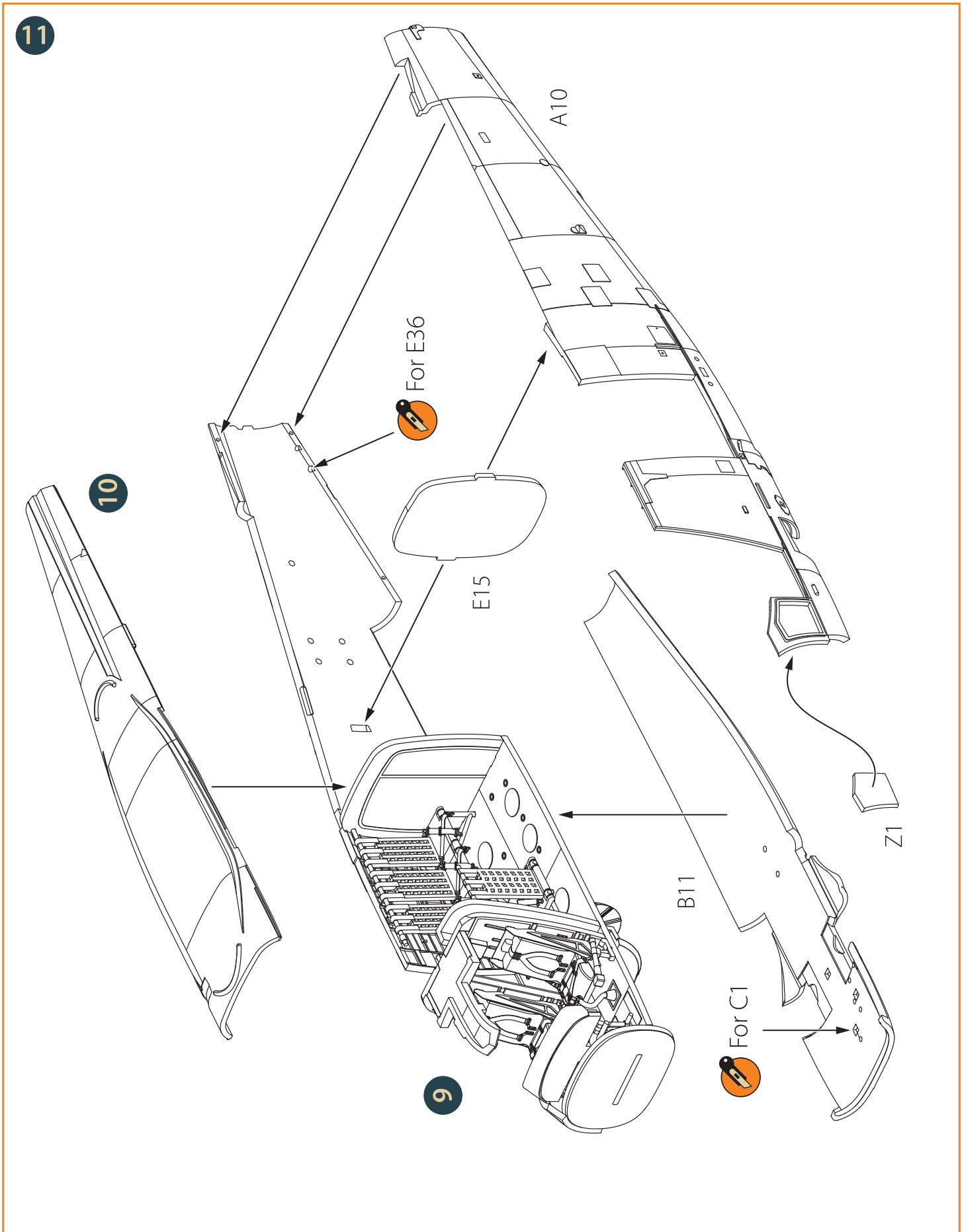


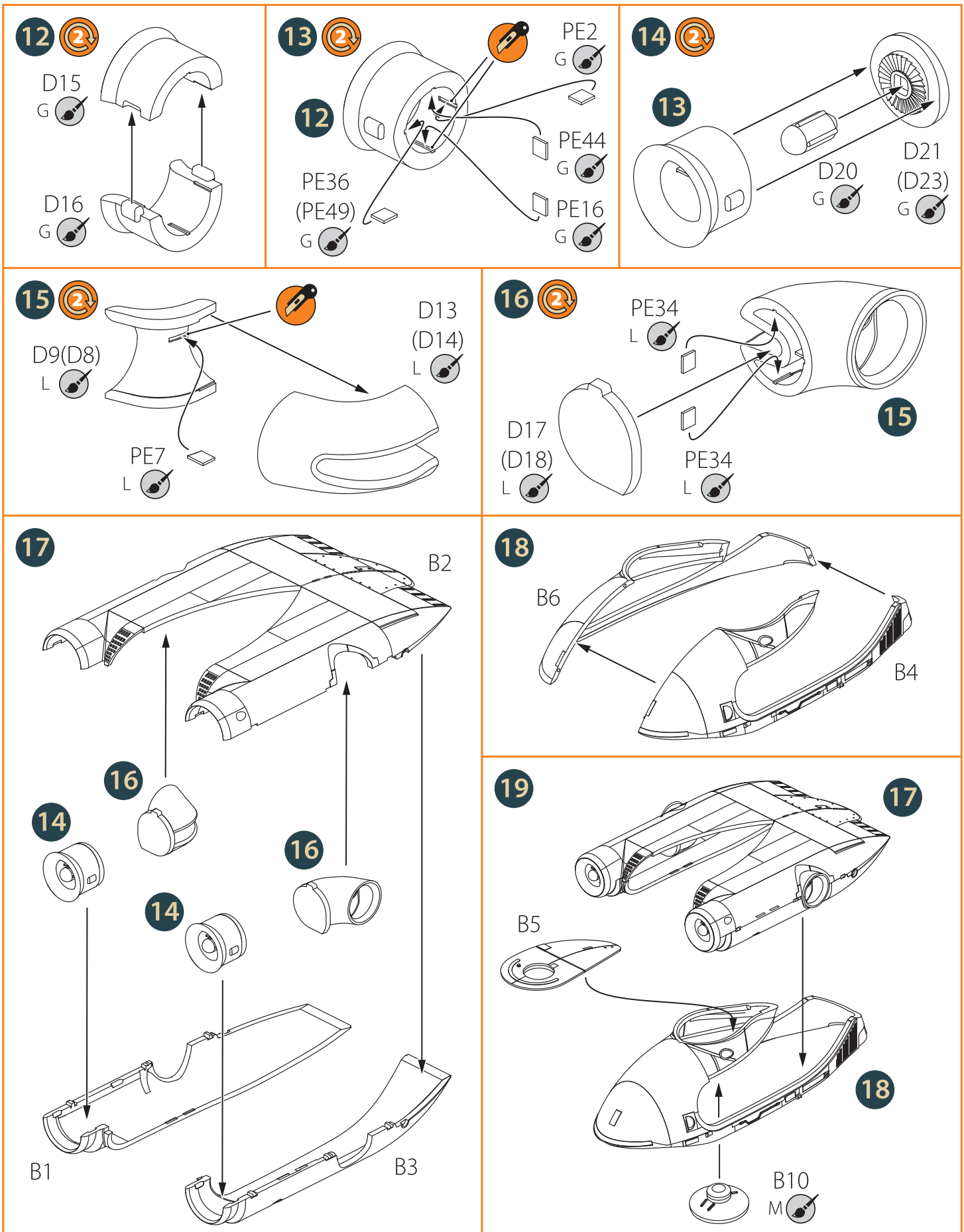


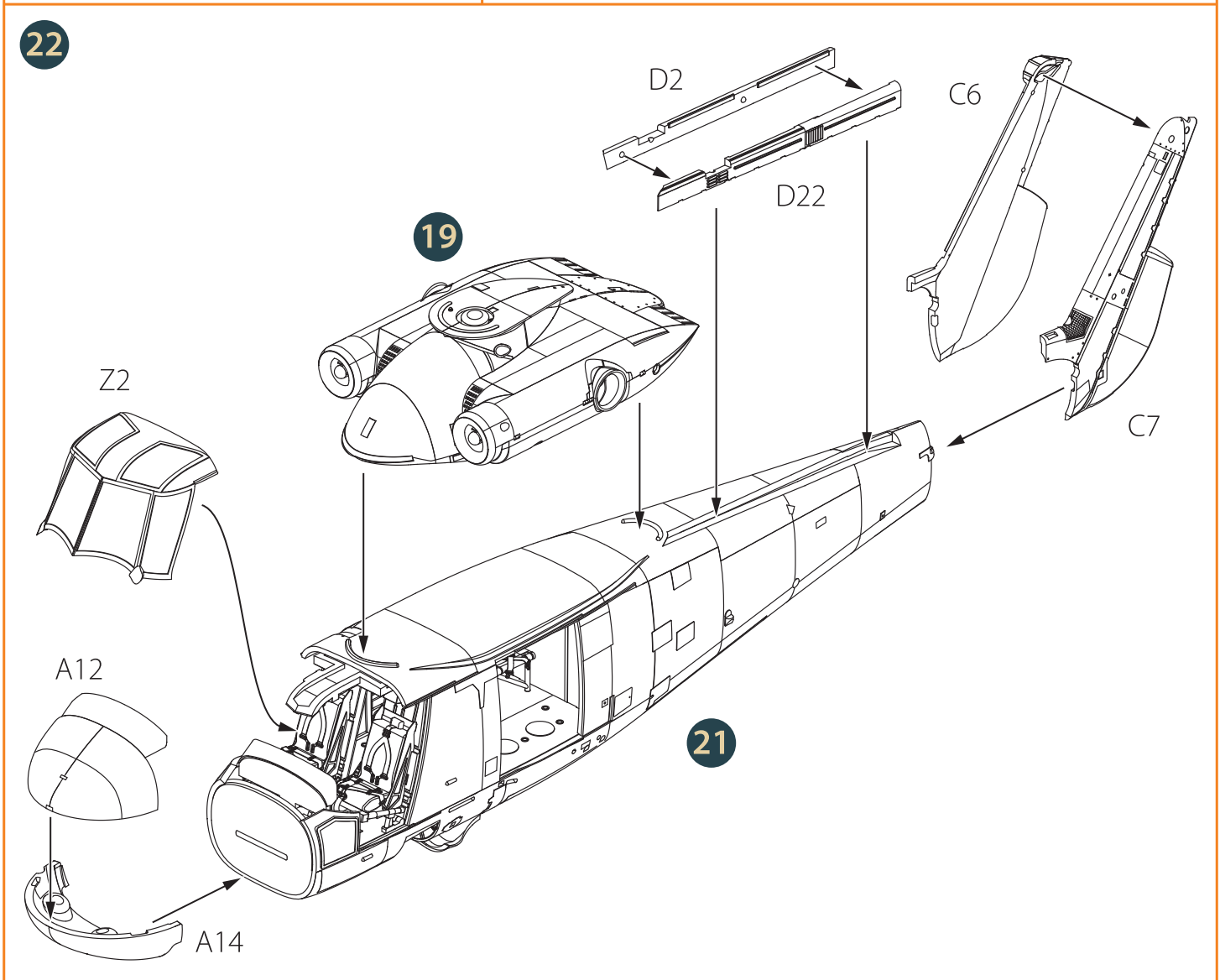
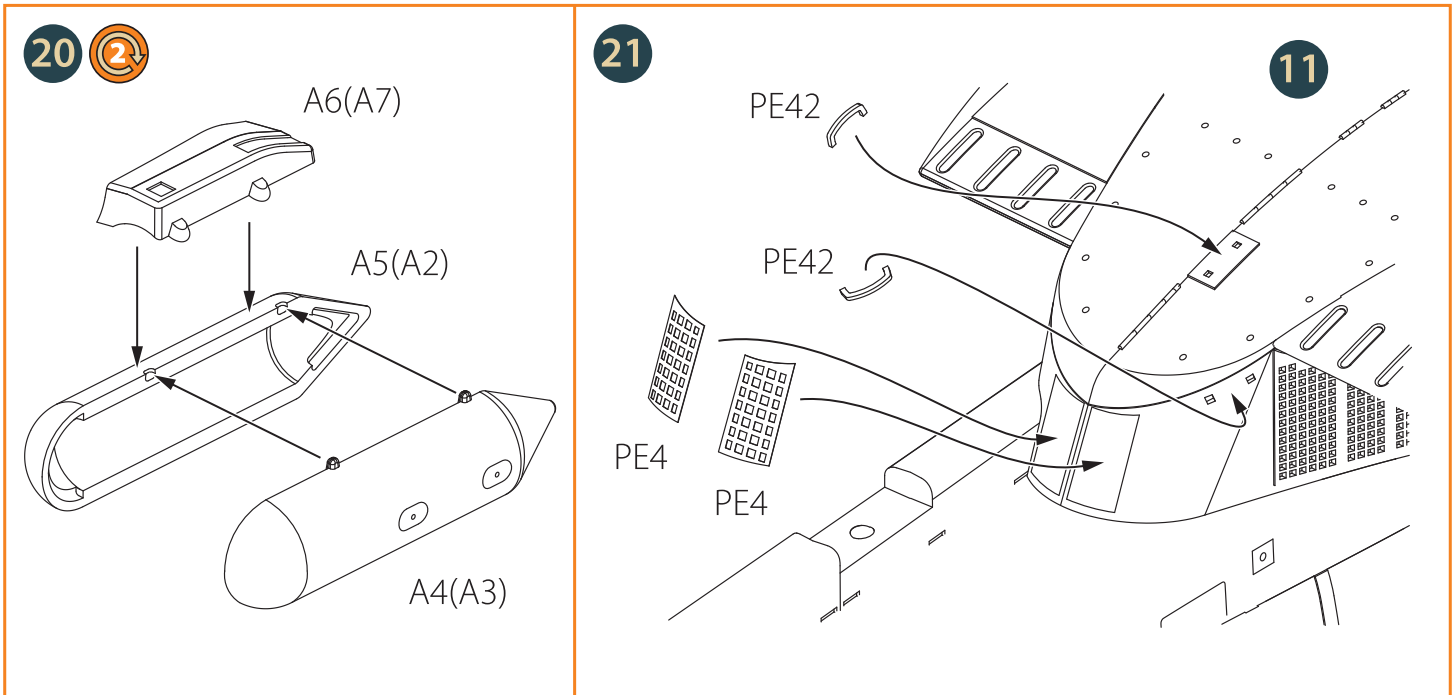




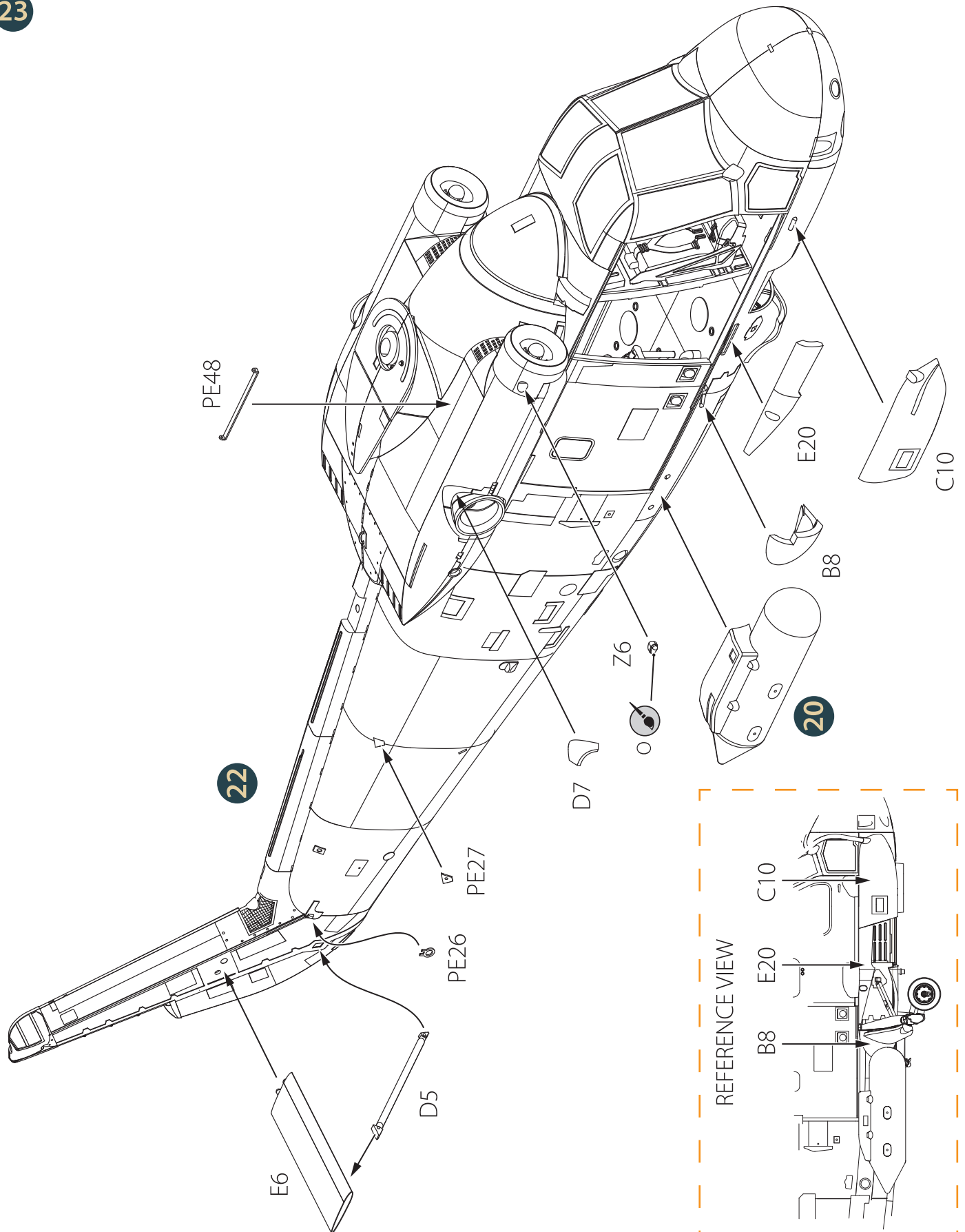


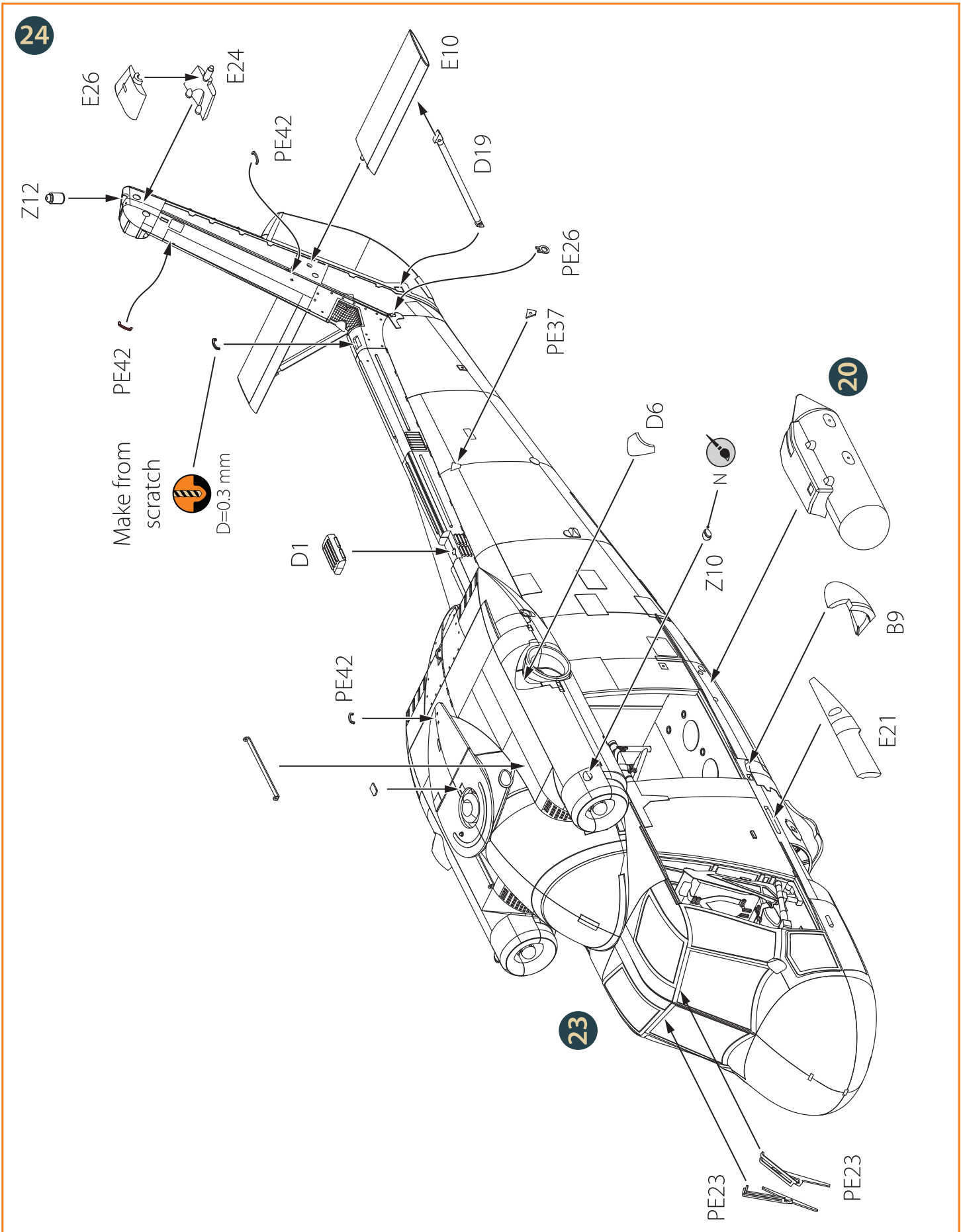


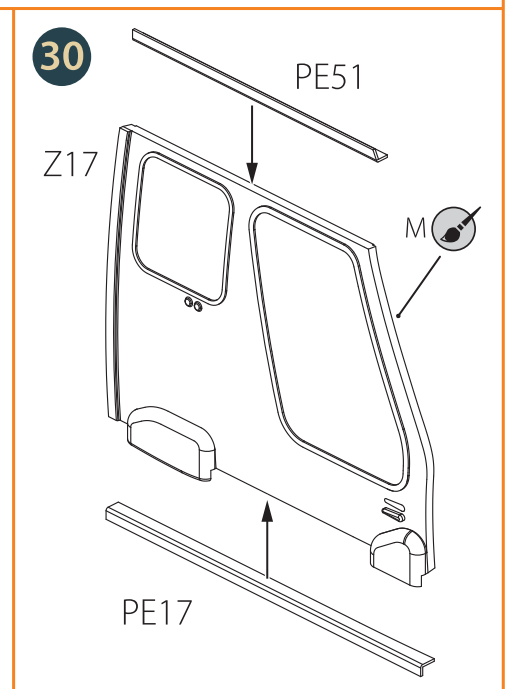
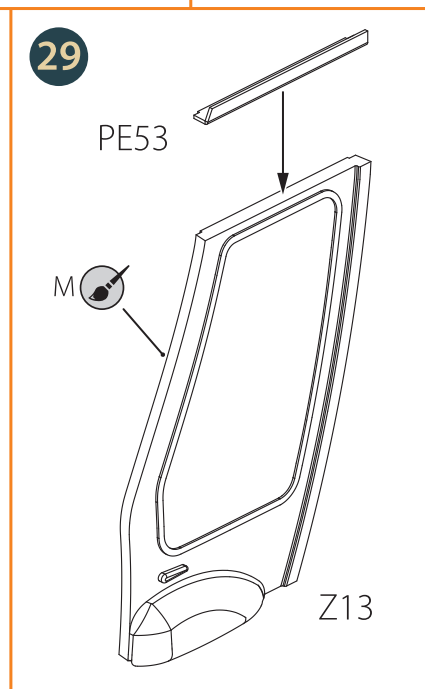
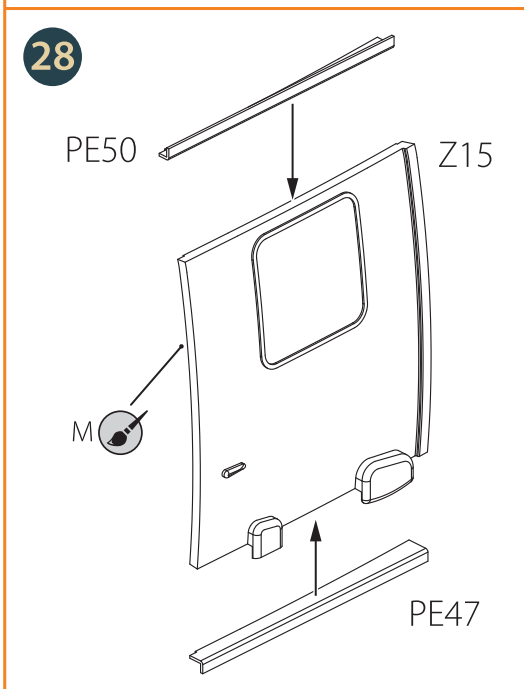
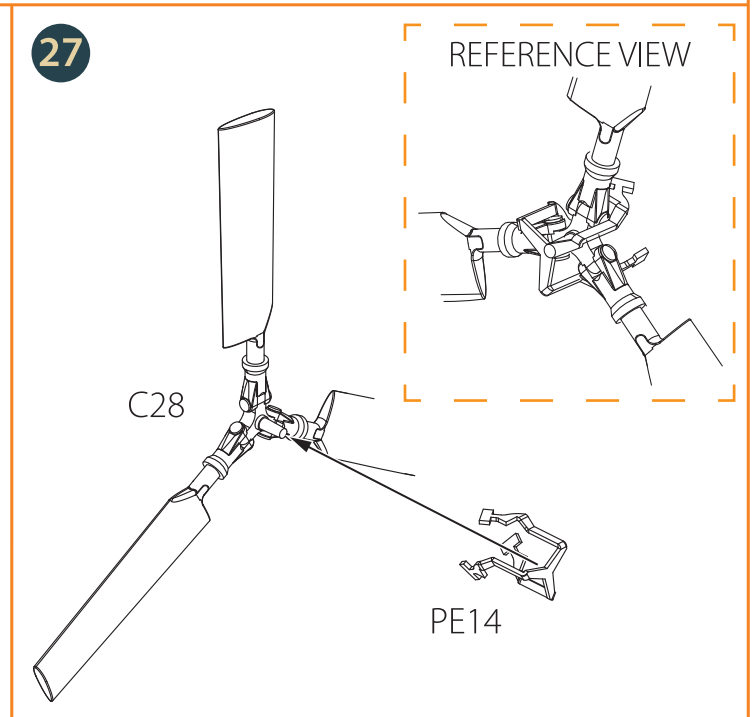
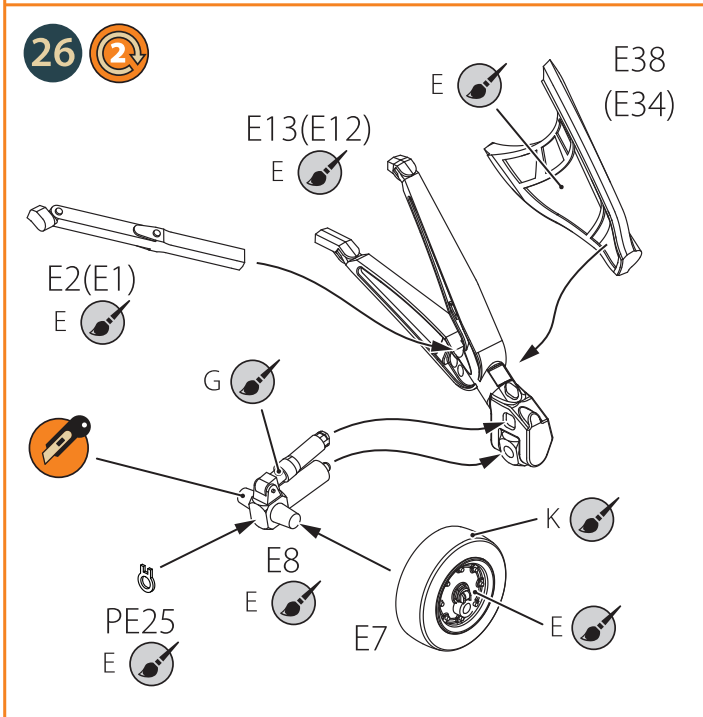
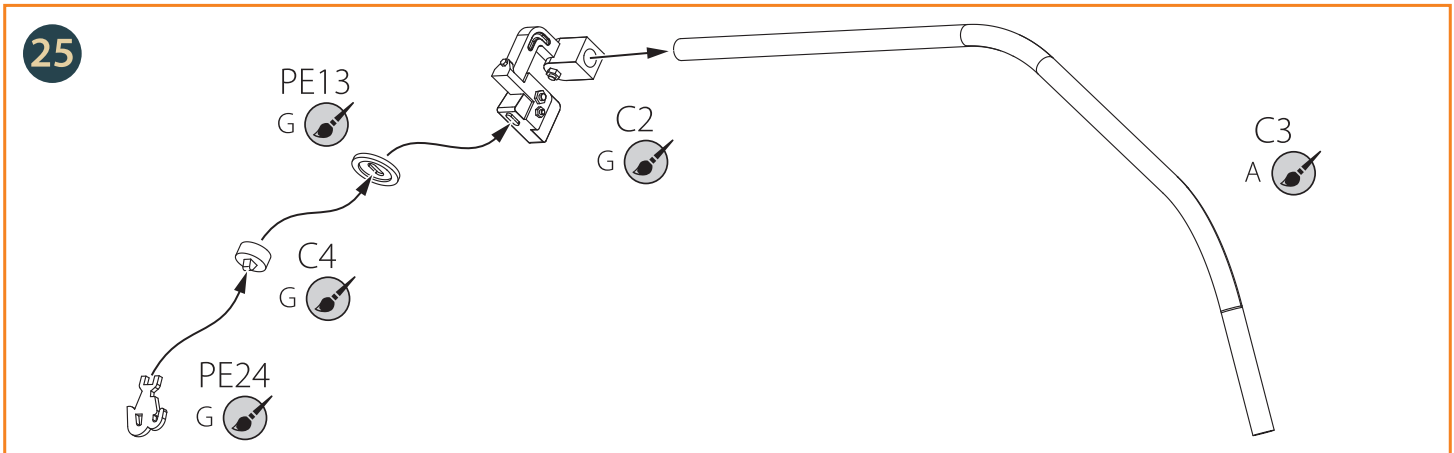




23

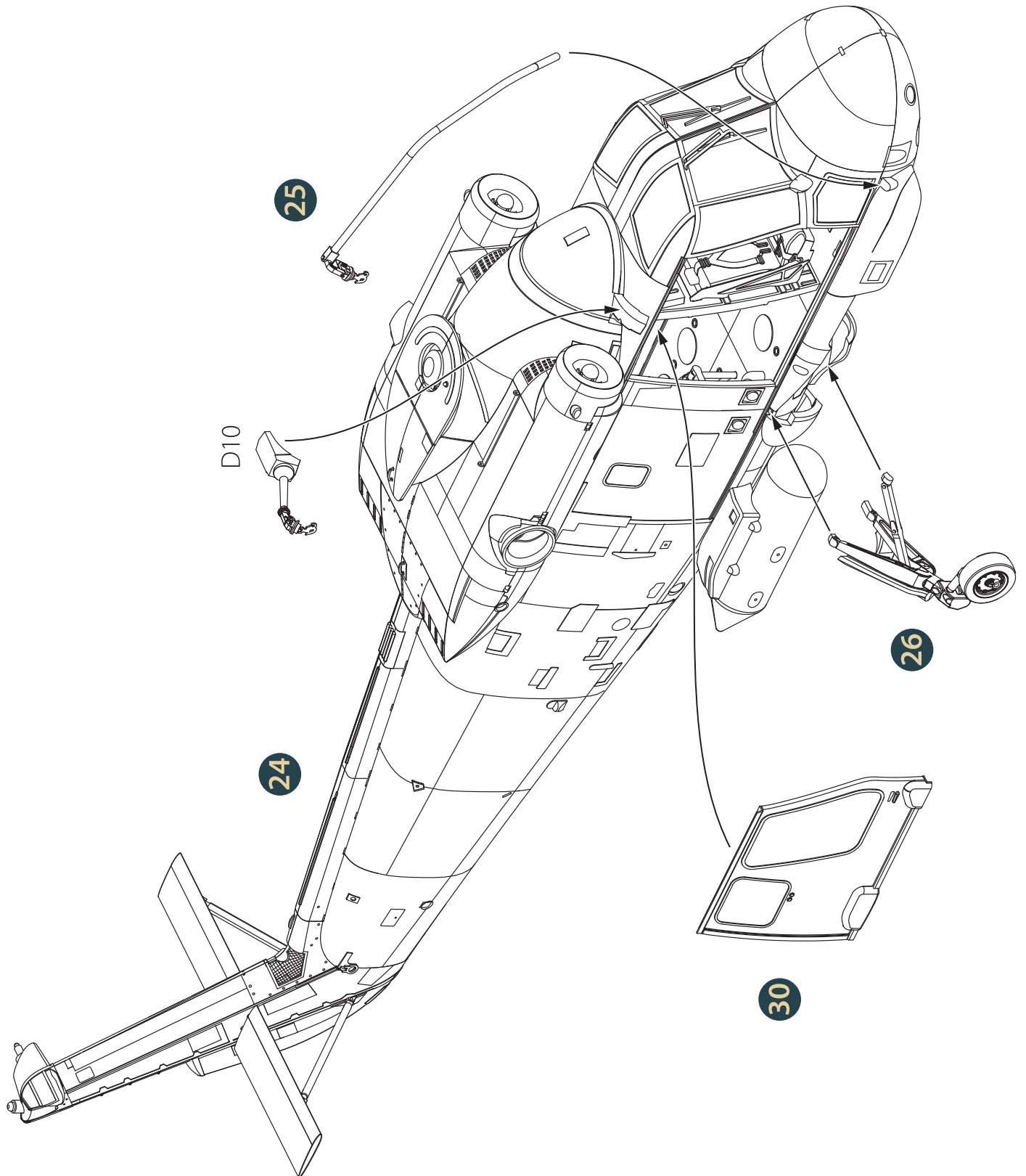


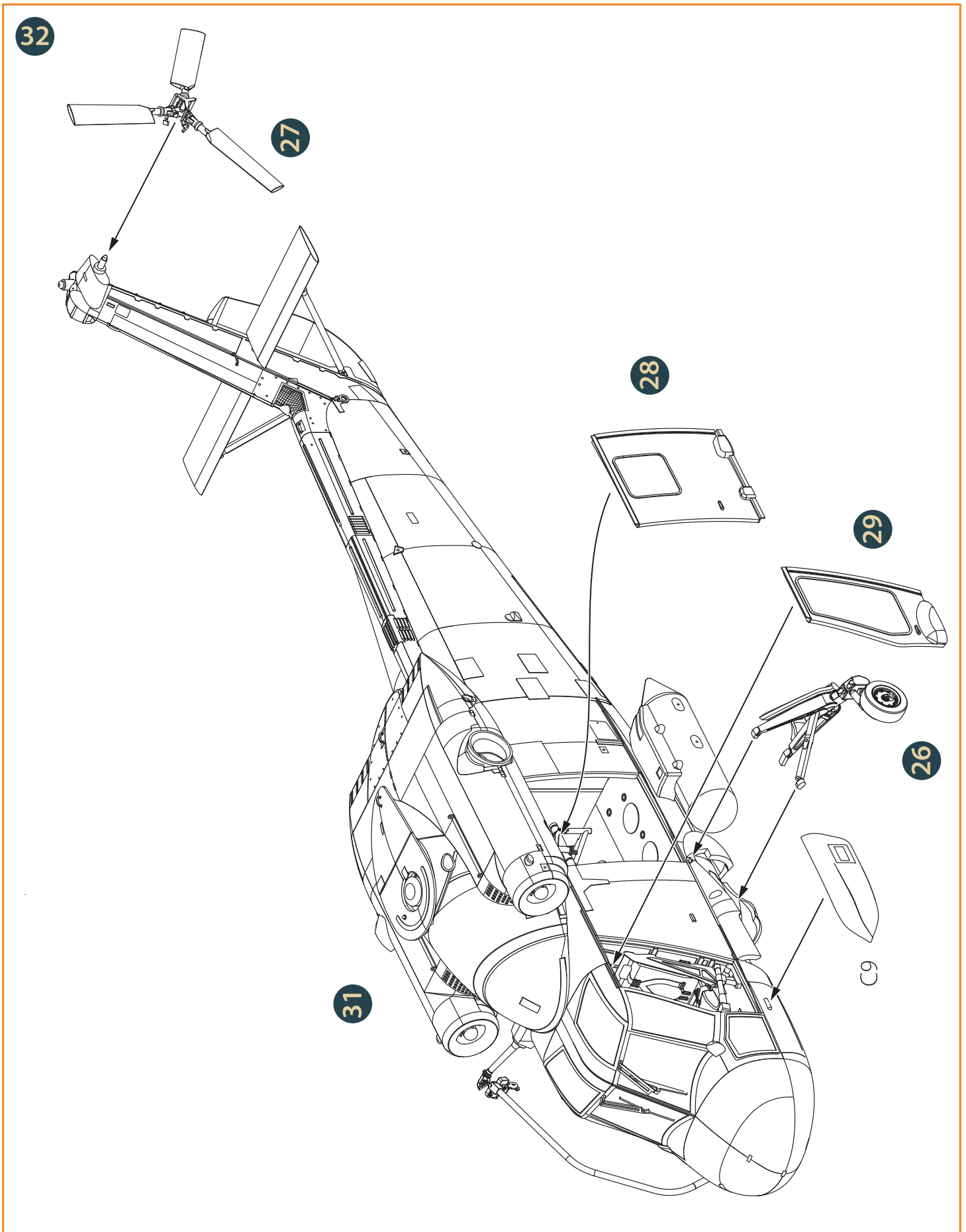




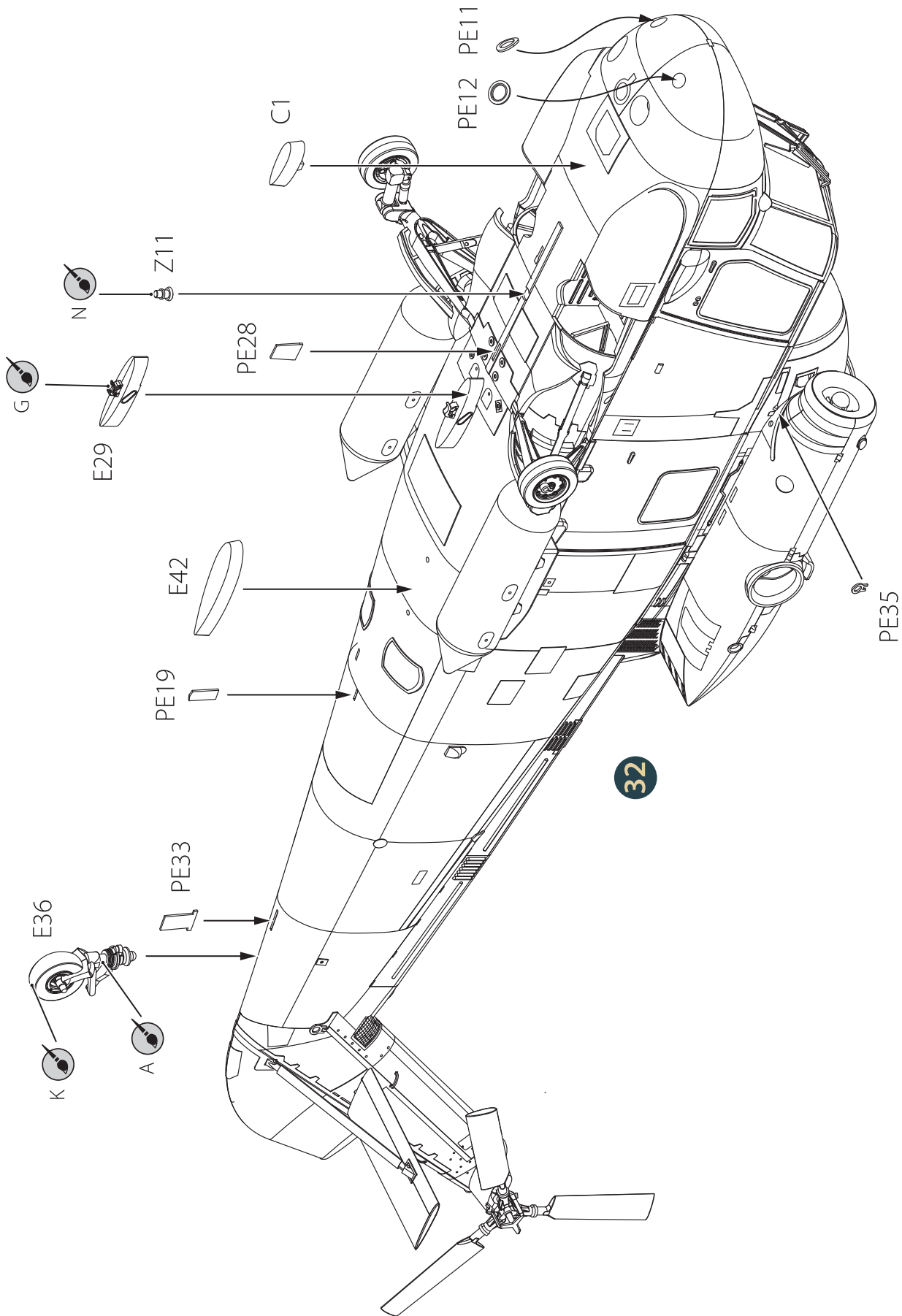


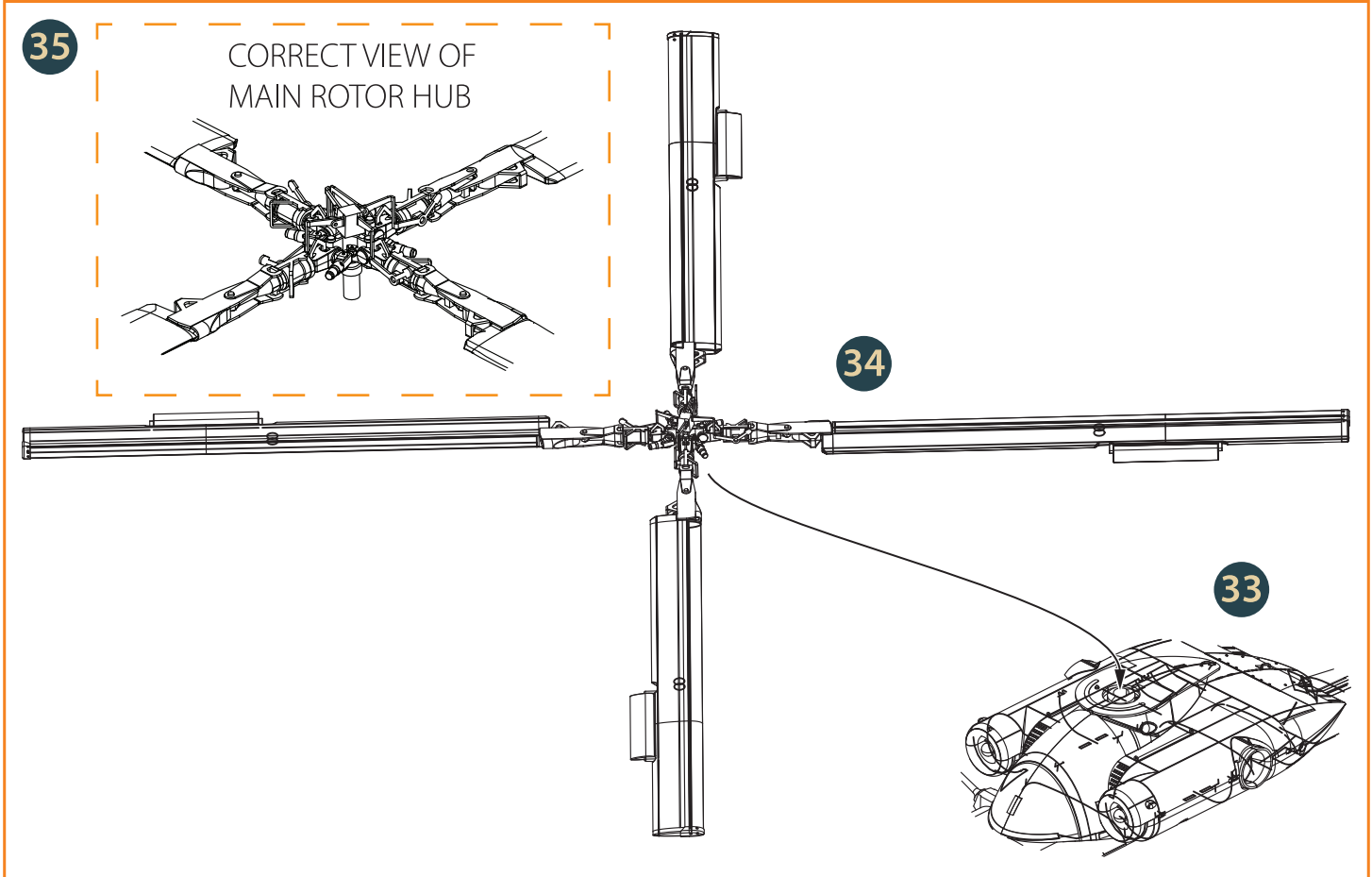
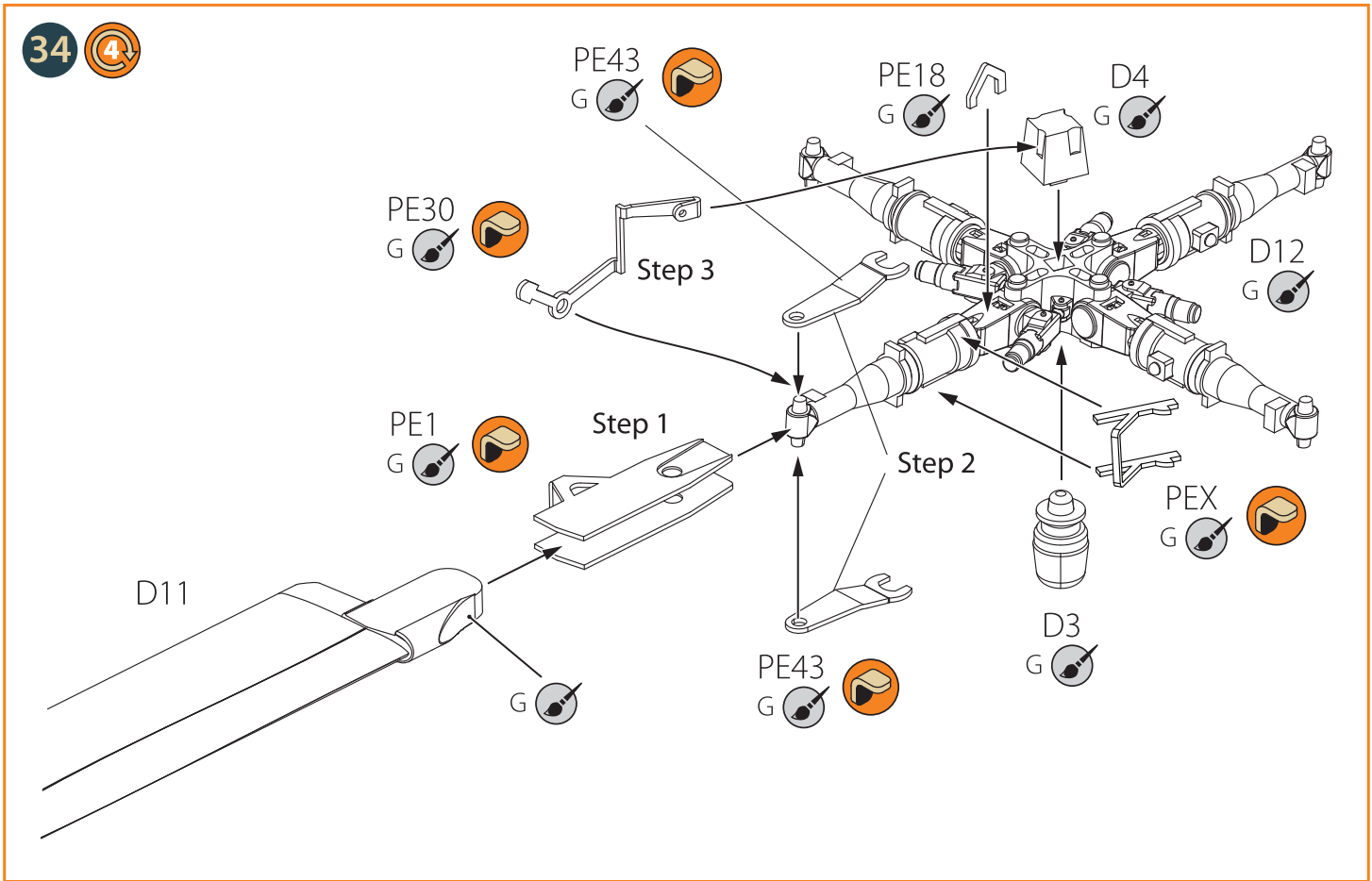
31





33

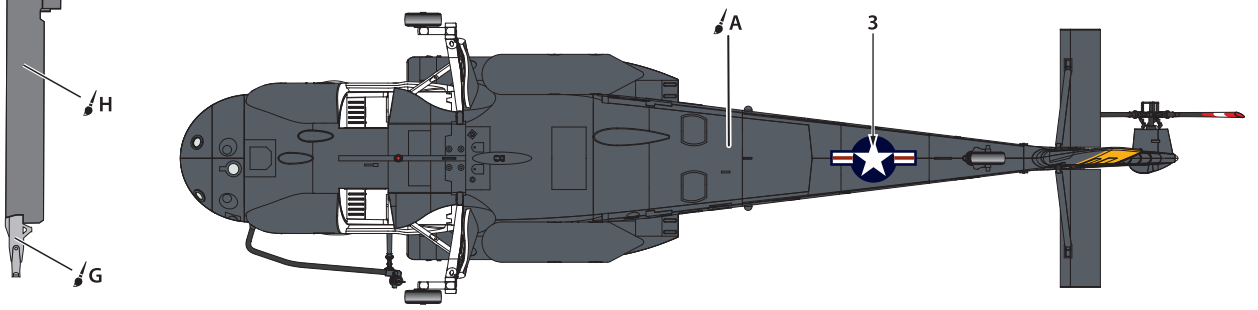
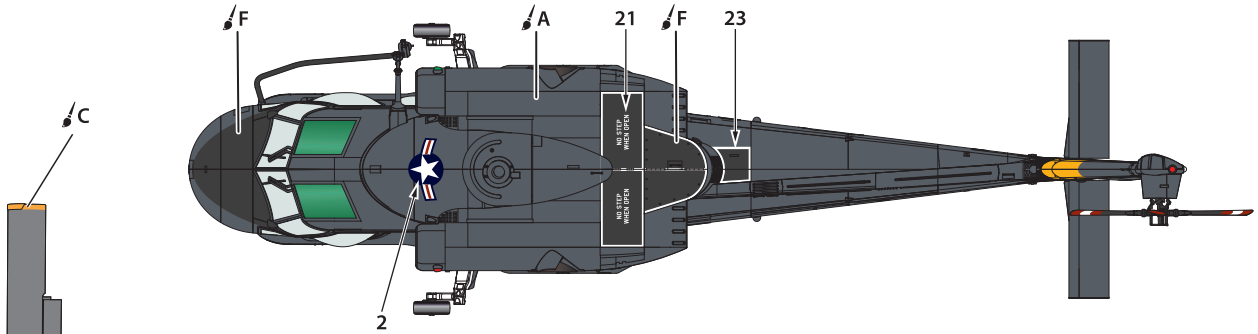
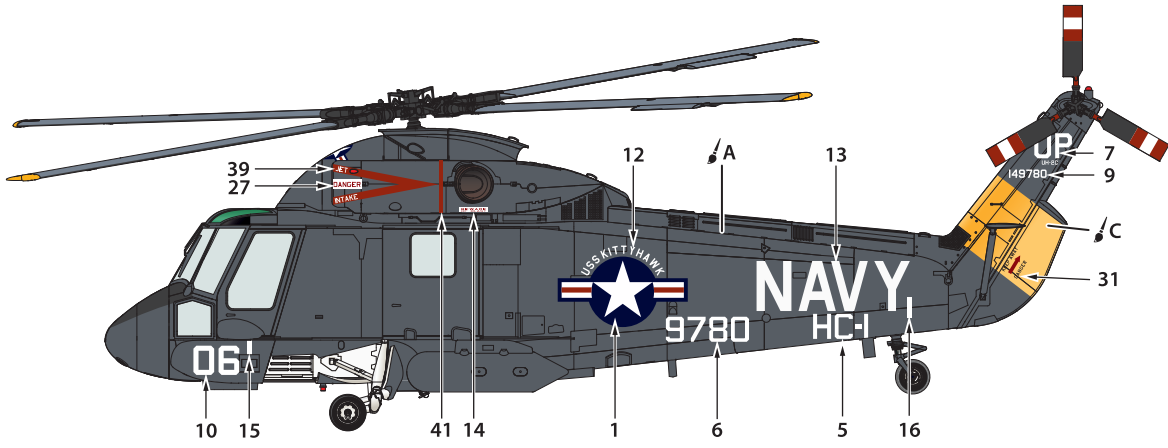
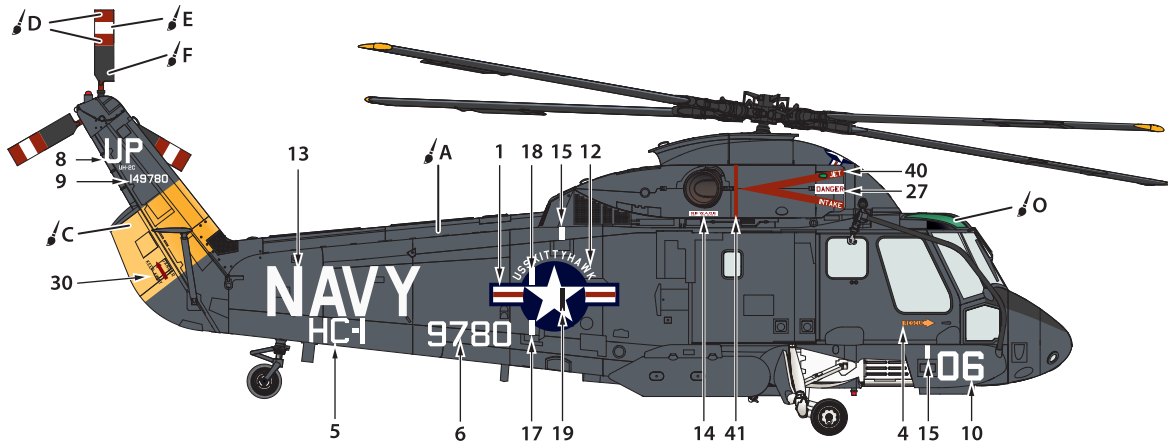






A	C	D	E	F	G	H	O	P
MR. COLOR 339 A.MIG-0908 ENGINE GRAY	MR. COLOR 329 A.MIG-0125 ORANGE YELLOW	MR. COLOR 3 A.MIG-0049 INSIGNIA RED	MR. COLOR 1 A.MIG-0050 WHITE	MR. COLOR 2 A.MIG-0046 BLACK	MR. COLOR 8 A.MIG-0195 SILVER	MR. COLOR 337 A.MIG-0210 BLUE GRAY	MR. COLOR 138 A.MIG-0092 GREEN CRYSTAL	MR. COLOR 5 A.MIG-0123 DARK BLUE

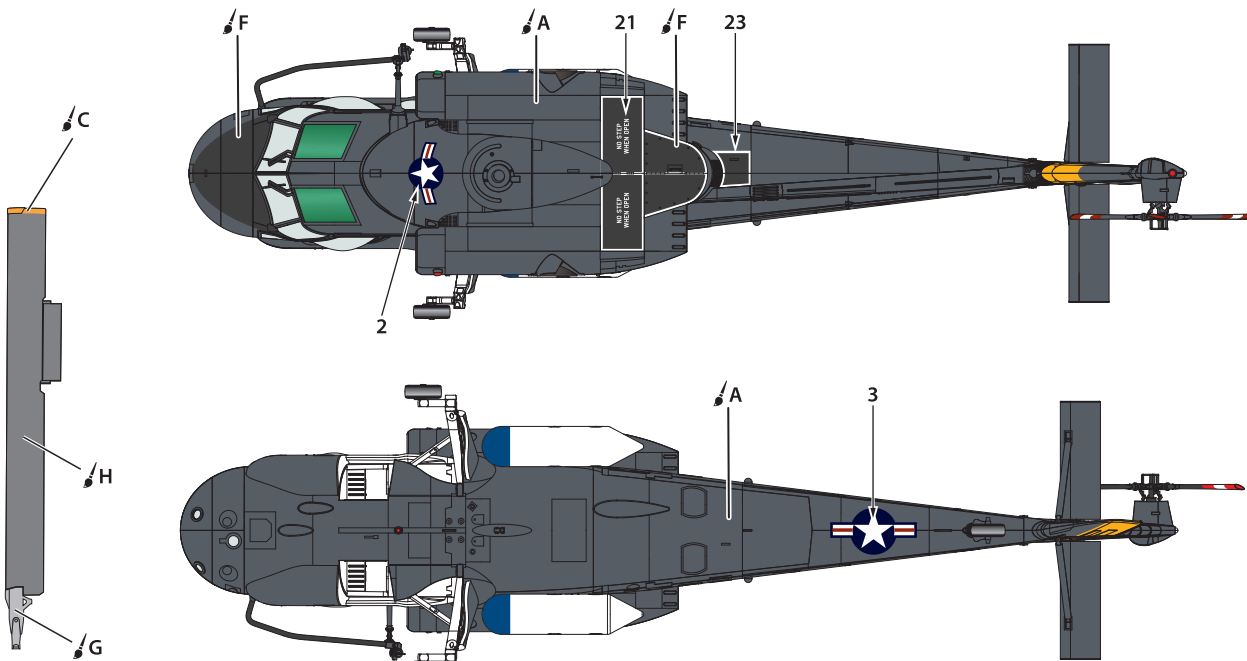
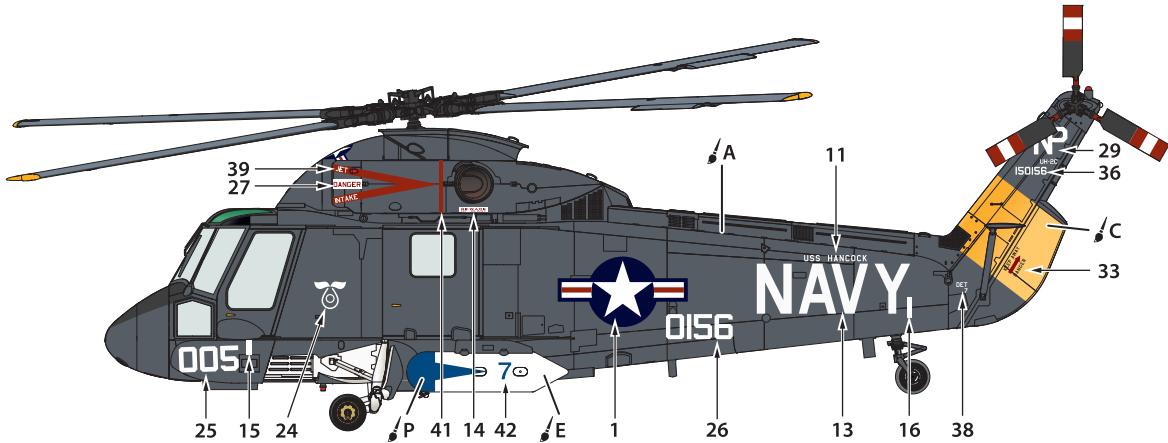
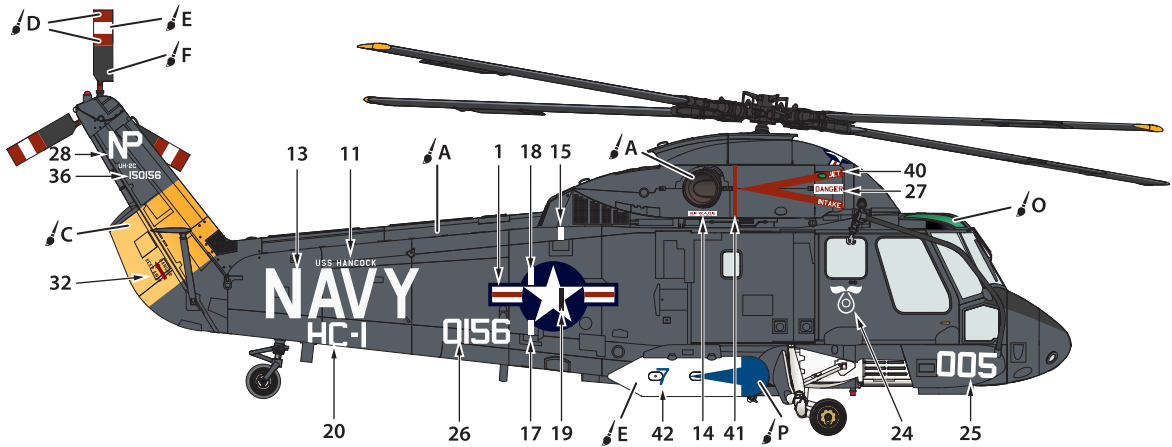
① Kaman UH-2C Seasprite 149780, HC-1 USS Kittyhawk, 1970





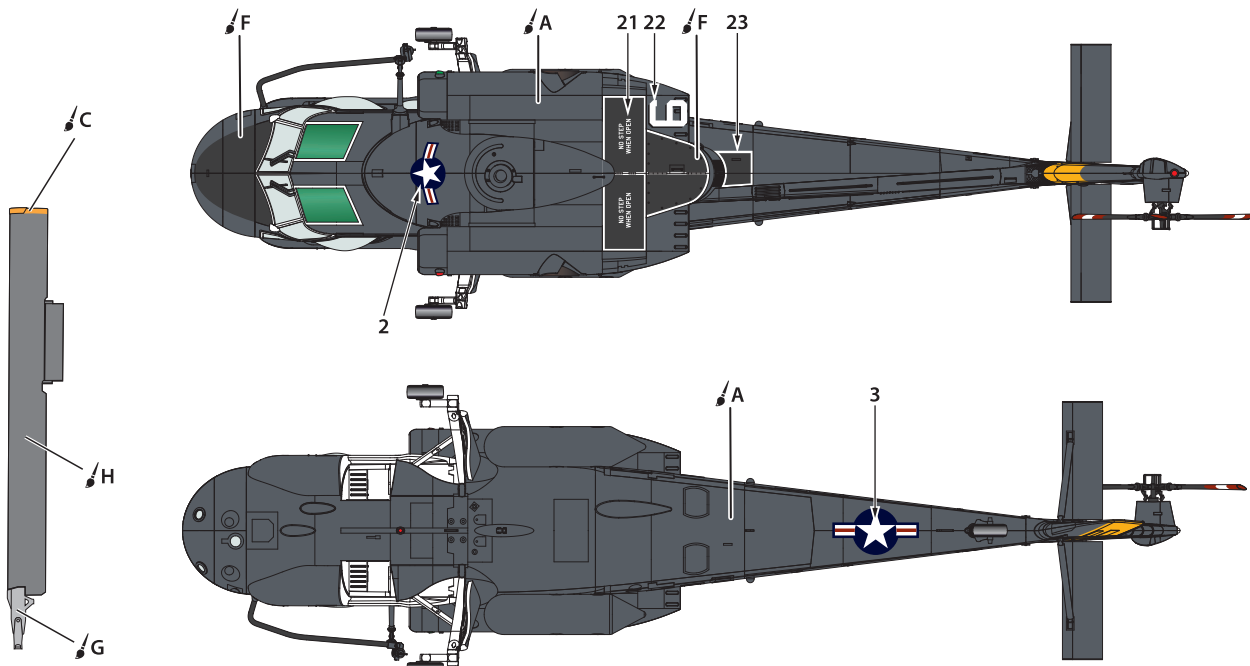
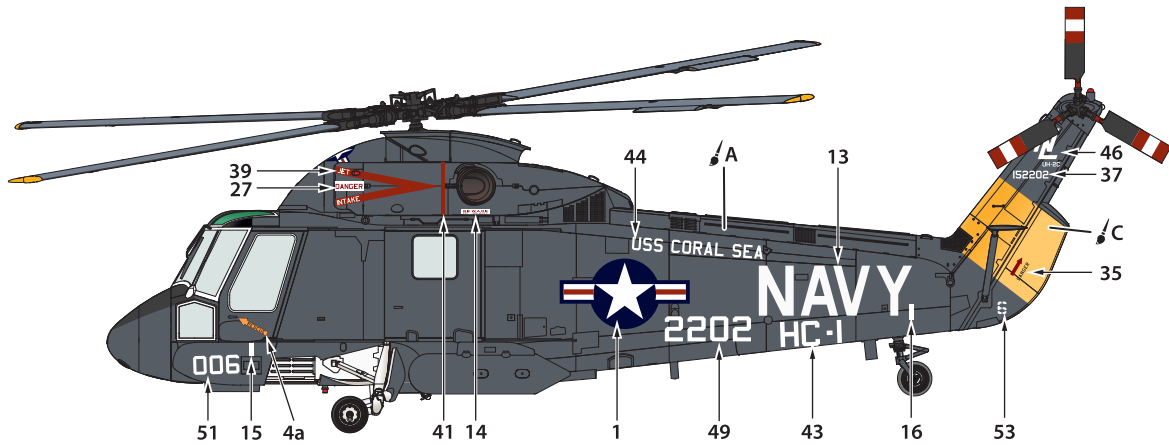
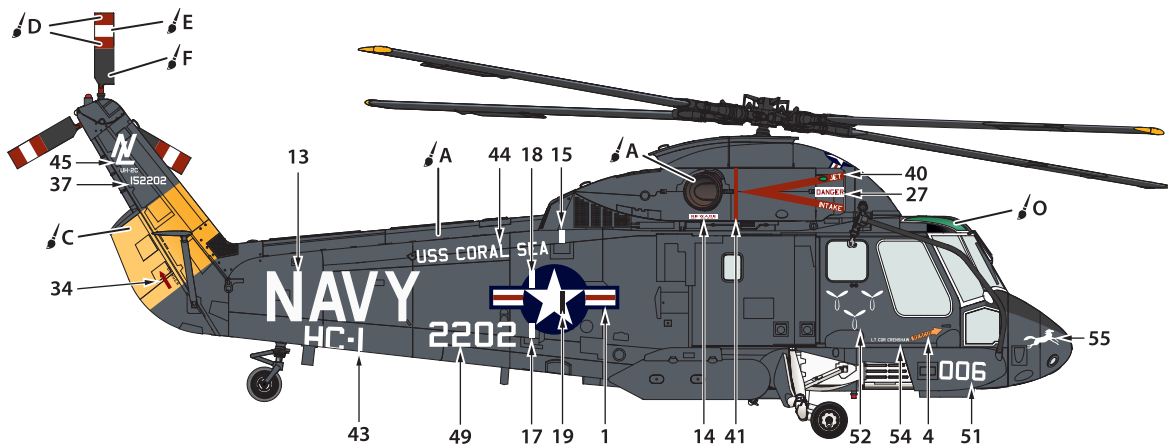
A	C	D	E	F	G	H	O	P
MR. COLOR 339 A.MIG-0908 ENGINE GRAY	MR. COLOR 329 A.MIG-0125 ORANGE YELLOW	MR. COLOR 3 A.MIG-0049 INSIGNIA RED	MR. COLOR 1 A.MIG-0050 WHITE	MR. COLOR 2 A.MIG-0046 BLACK	MR. COLOR 8 A.MIG-0195 SILVER	MR. COLOR 337 A.MIG-0210 BLUE GRAY	MR. COLOR 138 A.MIG-0092 GREEN CRYSTAL	MR. COLOR 5 A.MIG-0123 DARK BLUE

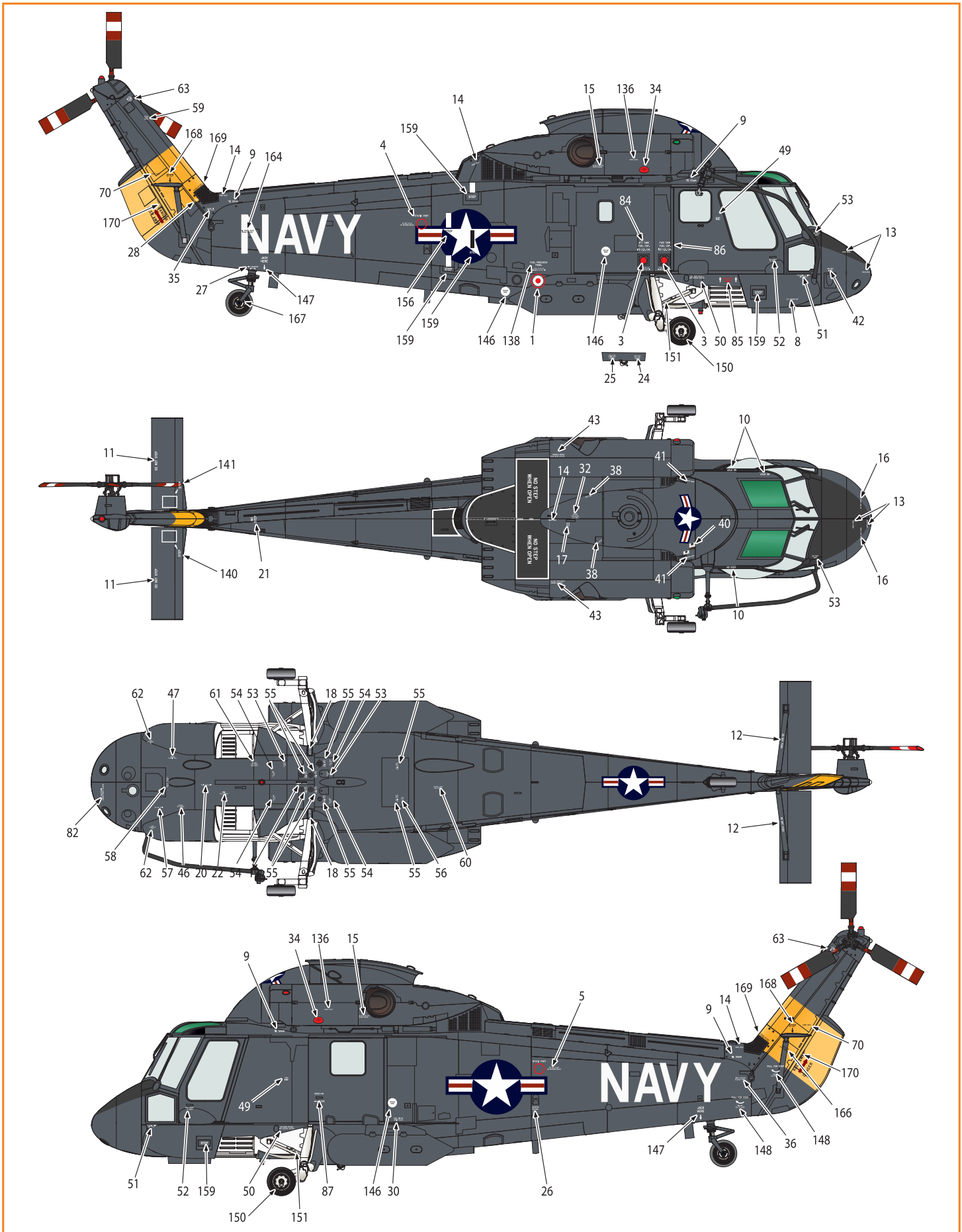
② Kaman UH-2C Seasprite 150156, HC-1 Det.7 USS Hancock, 1970



A	C	D	E	F	G	H	O	P
MR. COLOR 339 A.MIG-0908 ENGINE GRAY	MR. COLOR 329 A.MIG-0125 ORANGE YELLOW	MR. COLOR 3 A.MIG-0049 INSIGNIA RED	MR. COLOR 1 A.MIG-0050 WHITE	MR. COLOR 2 A.MIG-0046 BLACK	MR. COLOR 8 A.MIG-0195 SILVER	MR. COLOR 337 A.MIG-0210 BLUE GRAY	MR. COLOR 138 A.MIG-0092 GREEN CRYSTAL	MR. COLOR 5 A.MIG-0123 DARK BLUE

③ Kaman UH-2C Seasprite 152202, HC-1 Det.6 USS Coral Sea, 1969







VISIT OUR SITE FOR MORE SCALE MODEL KITS

clearpropmodels.com

