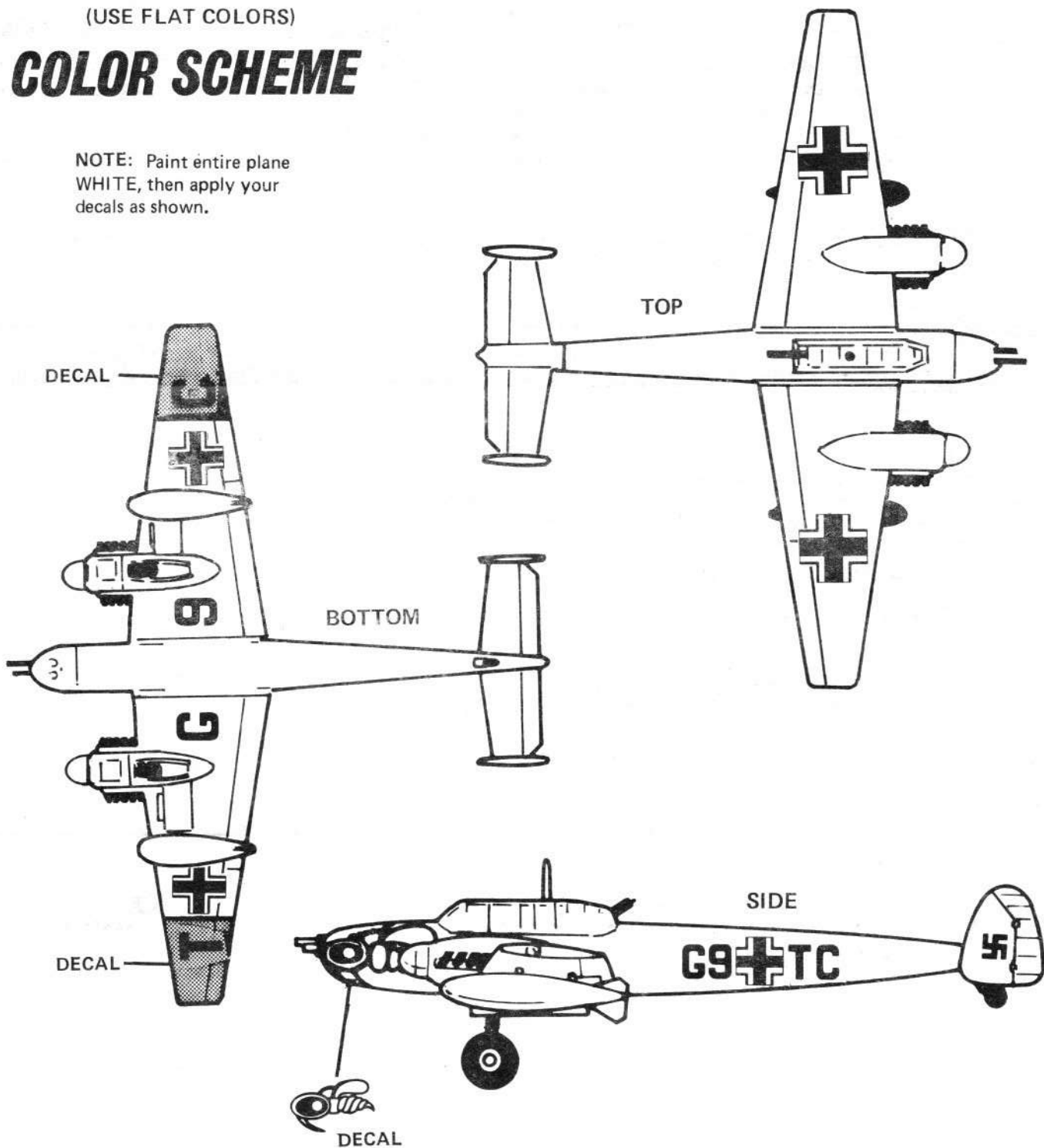


(USE FLAT COLORS)  
**COLOR SCHEME**

NOTE: Paint entire plane  
 WHITE, then apply your  
 decals as shown.



Bf 110 D STAFFEL 11/ZGI  
 WESPEN GESCHWADER

The Me 110 two-seater fighter first flew in May 1936 and represented the first serious attempt to produce a strategic fighter, possessing sufficient range to accompany bomber formations. After the "Battle of Britain" the Me 110 D was introduced. This was similar to the "C" but carried two large drop tanks. This aircraft was used extensively in Russia and the Middle East. On the home front Me 110's became the main German night fighters, later variants being equipped with radar and a large variety of weapons. The Me 110 D was powered by two Daimler-Benz DB 601 engines, each of 1,110 h.p. giving a maximum speed of 340 m.p.h. Armament consisted of two 20 mm cannons and four 7.9 mm machine guns in the nose, and one 7.9 mm machine gun in the cockpit. Wing span: 53 ft. 5 ins. Length: 40 ft. 9 ins.

# Messerschmitt Me 110

WITH 6 CREWMEN

IMPORTANT: READ THIS FIRST!

Before you begin, read the instructions very carefully. Study the illustrations and become familiar with the pieces before you start assembly of your model. Following the procedures given, test fit all parts before cementing; this way you will become acquainted with the location of parts before it comes time to use cement.

The highest quality styrene goes into the making of each MPC model. Only paint and cement made for styrene should be used. Before test fitting parts, trim off excess "flash". To join parts, use cement sparingly. Apply cement to very small parts with a toothpick. For removing parts from the "runners" it is best to use your modeler's knife, do not attempt to twist them off.

When painting your model follow the painting tips in each step. It is best to paint the very small parts while they are still on the runners. For realism use flat colors and use them carefully.

You should have no trouble assembling your kit if the instructions are followed properly.

1

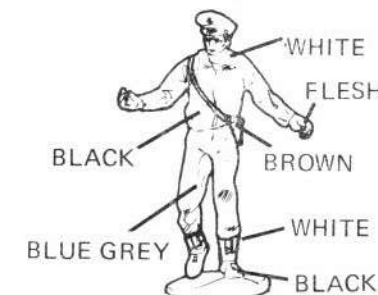
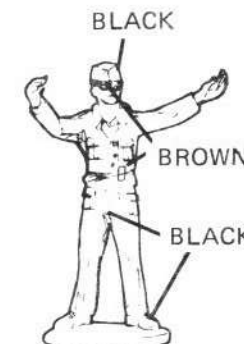
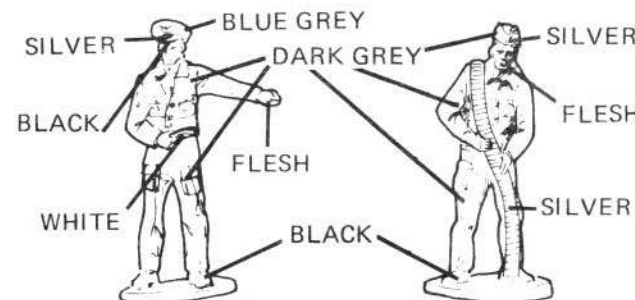
Paint all figures  
 as shown. Use  
 FLAT colors.



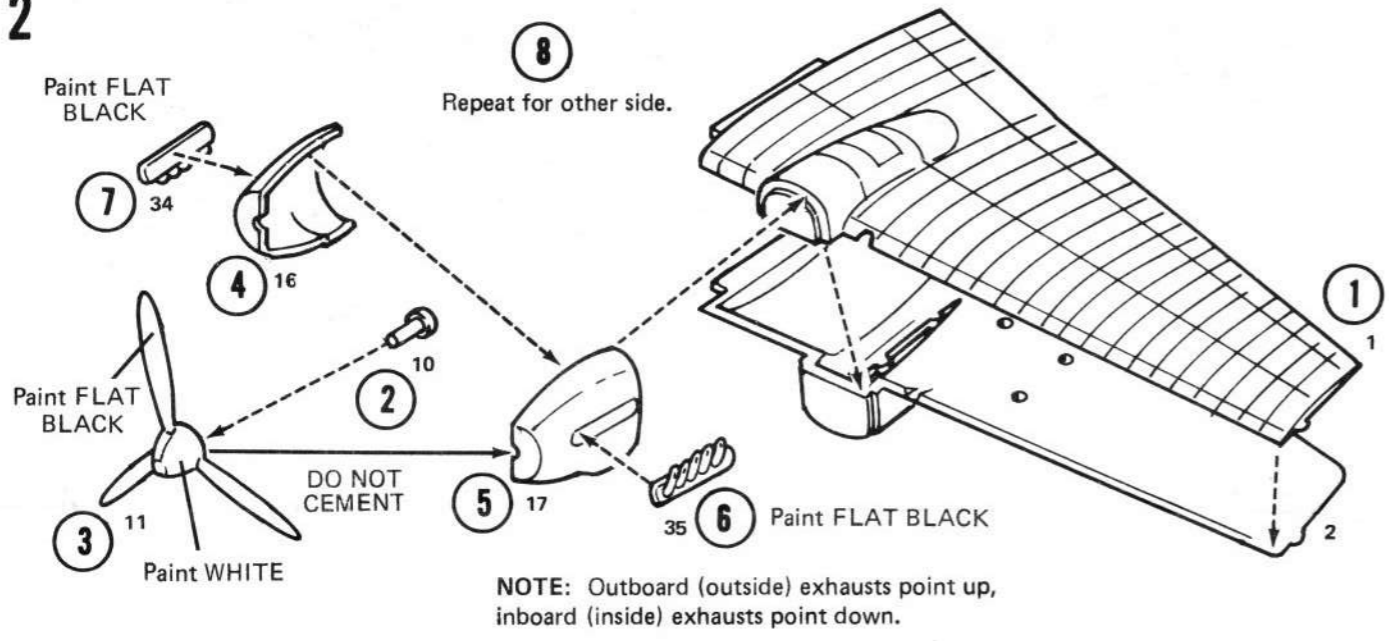
CEMENT ←----- DO NOT CEMENT ←-----

7  
 ASSEMBLY NUMBERS

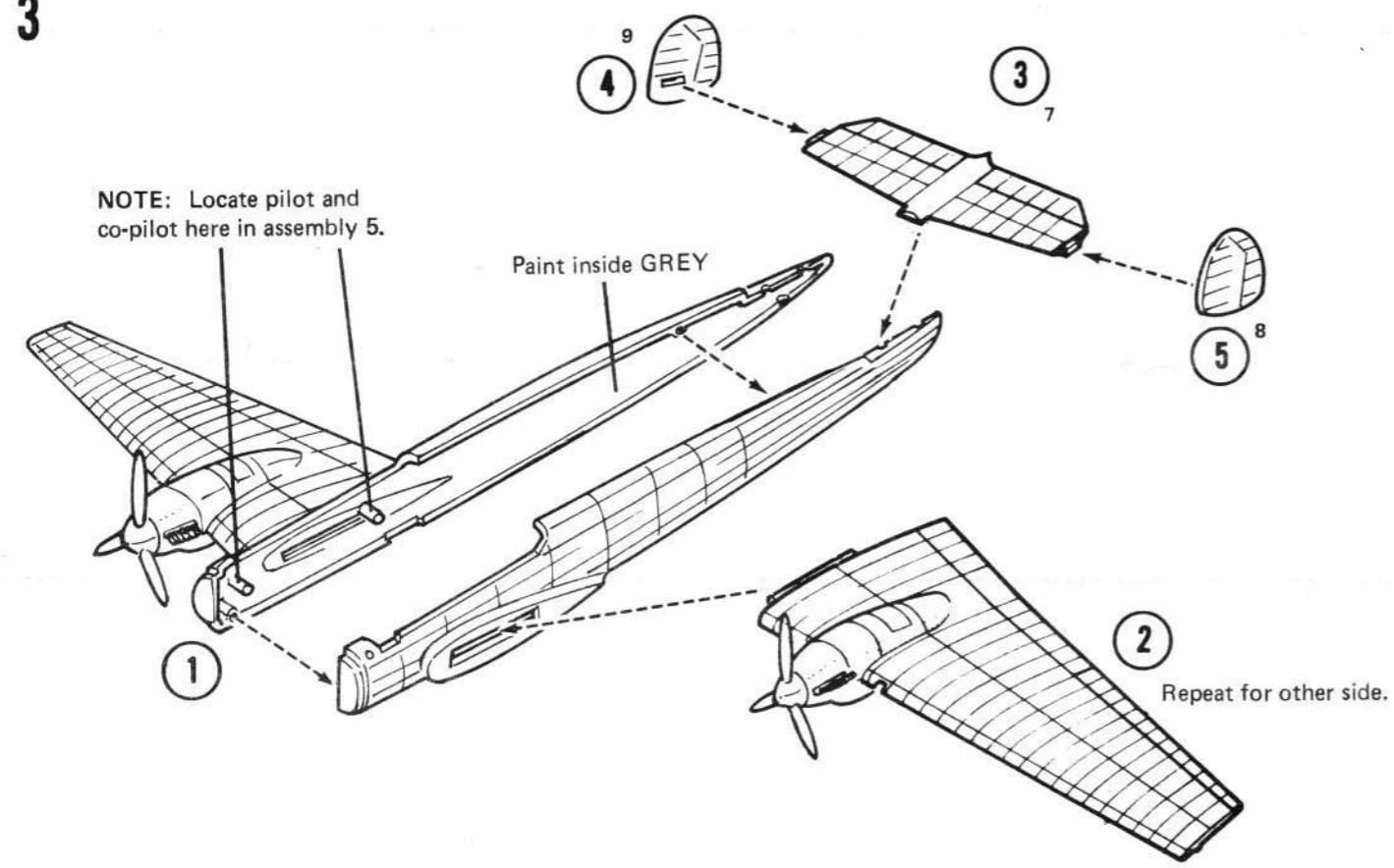
7  
 PART NUMBERS



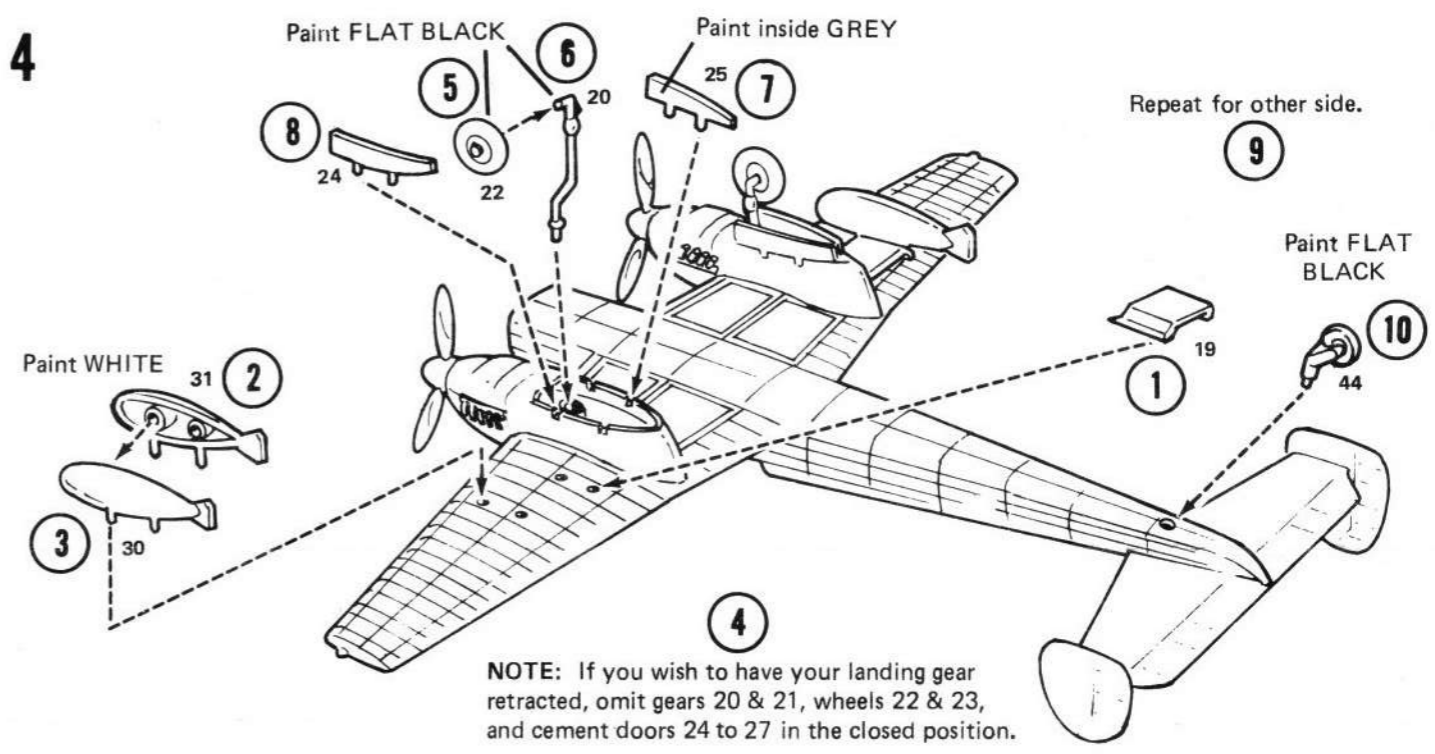
2



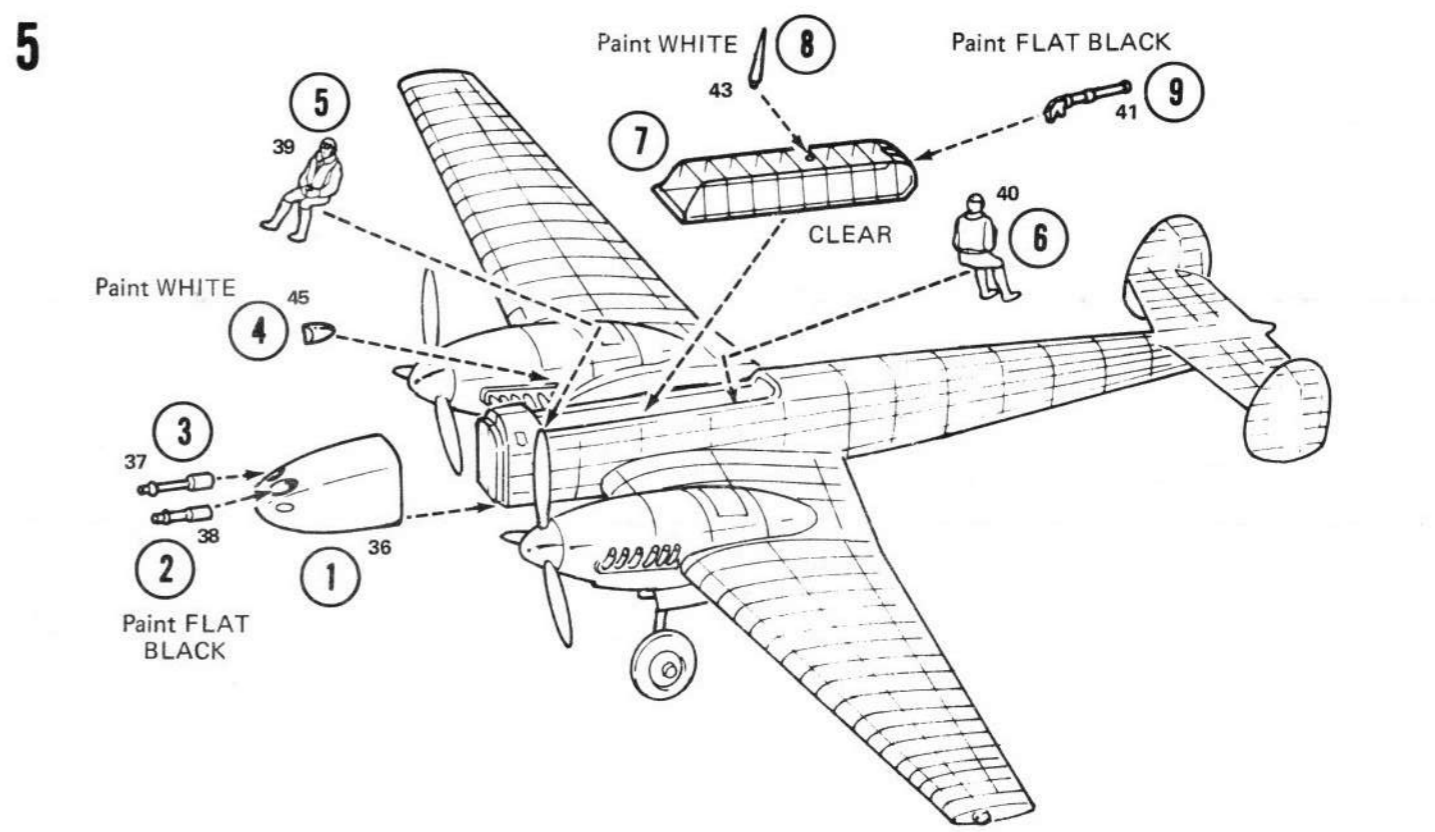
3



4



5



9 6

G9 + TC

G9 + TC

