

# AIRFIX

## CONSTRUCTION KIT

# 88 mm. GUN AND TRACTOR

ALL AIRFIX FIGHTING VEHICLE CONSTRUCTION KITS ARE MADE TO A CONSTANT OO (4 MM. TO THE FOOT) SCALE

The '88' was the best known of all German guns in the Second World War and was used with outstanding success from the Polish campaign until the end of the war in Europe. In the Middle East it was the scourge of the Allied armour, being capable of destroying any tank in service.

As its name suggests, the '88' was designed as a Flak, or anti-aircraft, gun and it was first employed in this role in the Spanish Civil War. As a result of battle experience an improved model, the Flak 36, was introduced in time to be in action in 1939 and this gun was dual purpose anti-aircraft and anti-tank. As the war progressed further improvements were made and the last versions were capable of being fired from their wheels without the necessity of lowering the gun onto its platform.

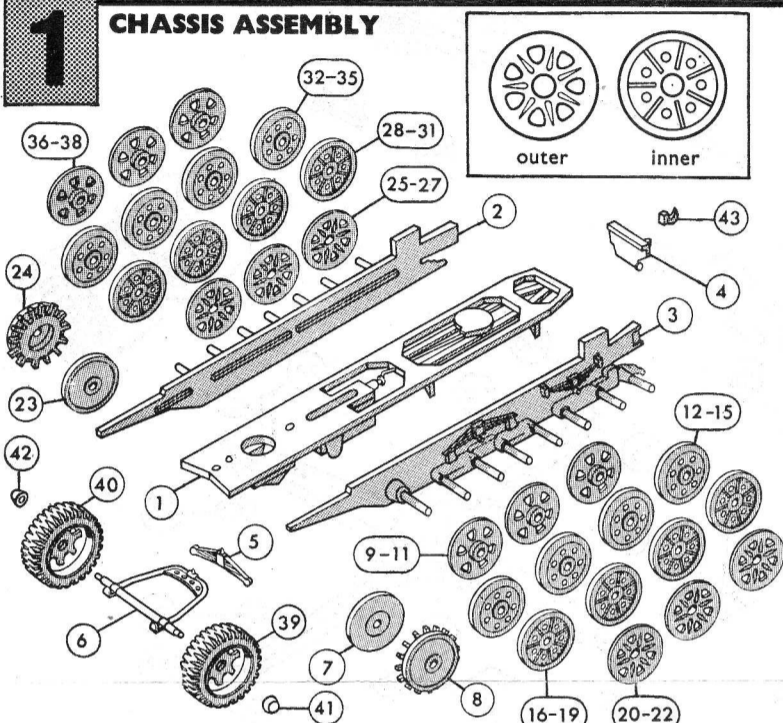
The 88 mm. Flak 36 had a maximum horizontal range of 16,200 yards and an effective vertical range of 25,000 feet. It could fire either a 20 lb. high explosive or a 21 lb. armour piercing shell at a rate of fire between fifteen and twenty rounds a minute.

One of the great advantages of the '88' was its mobility, due partly to the well designed carriage but particularly to the powerful and manoeuvrable tractor. This tractor, the semitrack Sd Kfz 7, was introduced in 1938 and remained in use throughout the war. It was capable of towing an eight ton load at 30 m.p.h. on roads or 18 m.p.h. cross-country and could seat 12 men including the driver. The same vehicle was also employed as a field artillery tractor and as the mount for self-propelled light anti-aircraft guns.

## INSTRUCTIONS

N.B. FOR PAINTING USE "AIRFIX" PAINTS, FOR FIXING USE "AIRFIX" POLYSTYRENE CEMENT  
PAINT ALL DETAILS AND LET DRY BEFORE ASSEMBLING (SEE SECTION 5)

### 1 CHASSIS ASSEMBLY



It is recommended that the instructions and exploded views are studied and that the assembly is practised before cementing together. Such parts as tyres, figures, etc., are best painted before assembly. Tweezers are recommended for handling small parts.

#### TRACTOR

1. Locate and cement chassis (1)

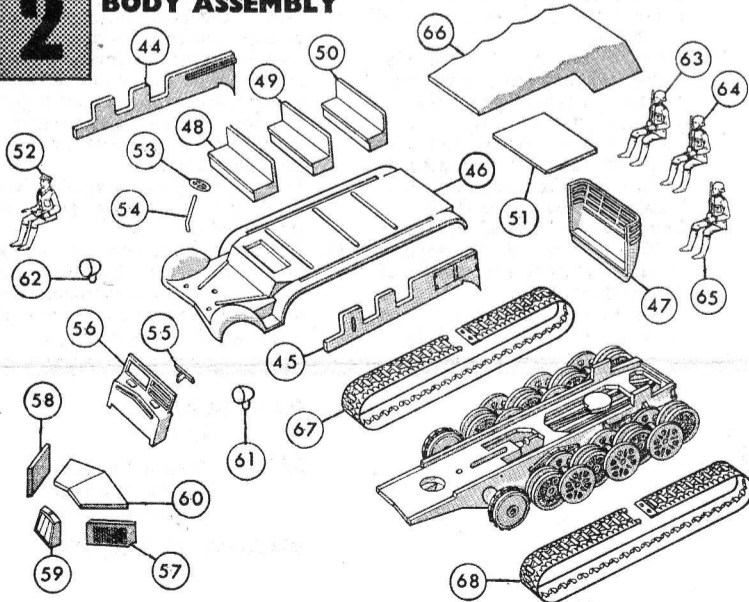
onto ribs on right (2) and left (3) chassis side members, projections beneath chassis fitting cut outs in ribs.

- Cement winch mounting plate (4) between rear of chassis side members, step on winch mounting plate fitting over end of chassis.
- Cement outer ends of large front

leaf springs (5) into recesses in projections forward of front axle unit (6) then cement locating pins on top of leaf spring and at rear and top of front axle unit into corresponding forward holes beneath chassis.

- Push one inner sprocket (7) (recess to inside) onto first axle on left hand chassis side, place a drop of cement on outer face of inner sprocket and axle, then push outer sprocket (8) onto same axle, (teeth to inside).
- Push three outer bogies (9-11) bosses to outside on alternate axles commencing with the third, DO NOT CEMENT, then place eight inner bogies (12-19) in pairs, back to back, small raised bosses together onto alternate axles commencing with the second, DO NOT CEMENT. Finally, place three outer bogies (20-22) bosses to inside on alternate axles, commencing with the third axle, secure with a drop of cement to axles and bosses of three outer bogies already positioned.
- Repeat procedure for opposite chassis side inner sprocket (23), outer sprocket (24), outer bogies (25-27), inner bogies (28-35), outer bogies (36-38).
- Place two wheels (39, 40) onto front axles, DO NOT CEMENT. Carefully cement hub caps (41, 42) onto protruding ends of axles.
- Cement towing hook (43) into lower recess in centre bracket to rear of winch mounting plate, set chassis assembly aside to dry.

### 2 BODY ASSEMBLY



- Locate and cement rib on bottom of right and left body sides (44, 45) into grooves on top and outer sides of body floor (46).
- Cement body rear (47) to body floor and sides, steps on body rear fitting corresponding steps on body floor and sides.
- Position and cement front of seats (48-50) over ribs on body floor. Note large seat to front, seat with step on seat back to rear.
- Cement back cover plate (51) onto steps on back of rear seat,

body sides and body rear, rounded corners on back cover plate to rear.

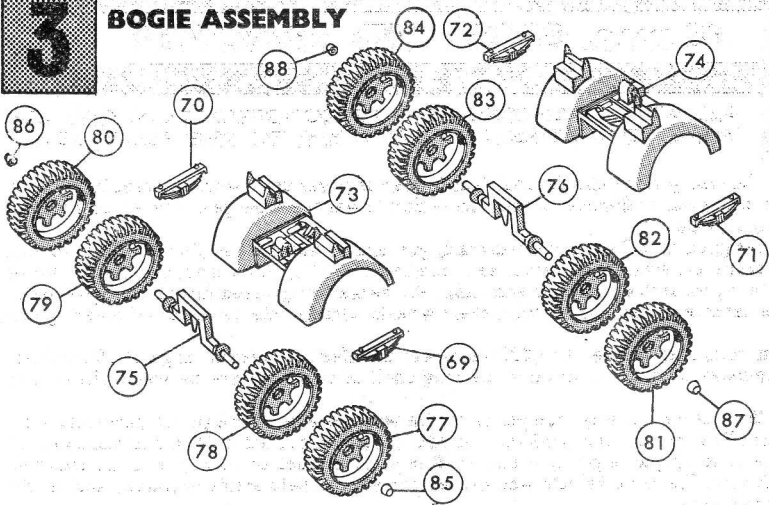
- Cement driver (52) to seat.
- Cement steering wheel (53) to end of steering column (54), then cement angled end of column into locating hole in body floor well.
- Cement lug on dashboard (55) into centre recess at rear of front bulkhead (56) beneath windscreen.
- Cement bulkhead against rib formed by angle protruding above body floor well in front of

steering column, lower sides of bulkhead cemented to forward ends of body sides.

- Cement bonnet sides (57, 58) against ribs on body floor and to bulkhead, angled corners of bonnet sides to bottom and against bulkhead.
- Cement radiator (59) to body floor and against bonnet sides.
- Cement ribs on bonnet top (60) against inner bonnet sides and onto rib at front of bulkhead.
- Cement headlamps (61, 62) into locating holes either side of radiator.
- Position and cement figures (63-65) onto seats as desired.
- If desired cement canopy top (66) onto locations on top of windscreen and to back cover plate.
- Engage flexible tracks (67) over teeth on right driving sprockets passing track around bogie wheels leaving loose ends of track to top. Join track ends by clipping on one track end into holes provided in opposite end. To strengthen the joint it is suggested that the ends be joined with a staple. As an alternative the ends may be reinforced with a few stitches using suitable cotton or Terylene thread.
- Repeat procedure with flexible track (68) and left hand side of vehicle.
- Locate and cement body to chassis lugs at rear of chassis against ribs beneath rear of body floor, locating pin on front of chassis into locating hole beneath front of body floor.

# 3

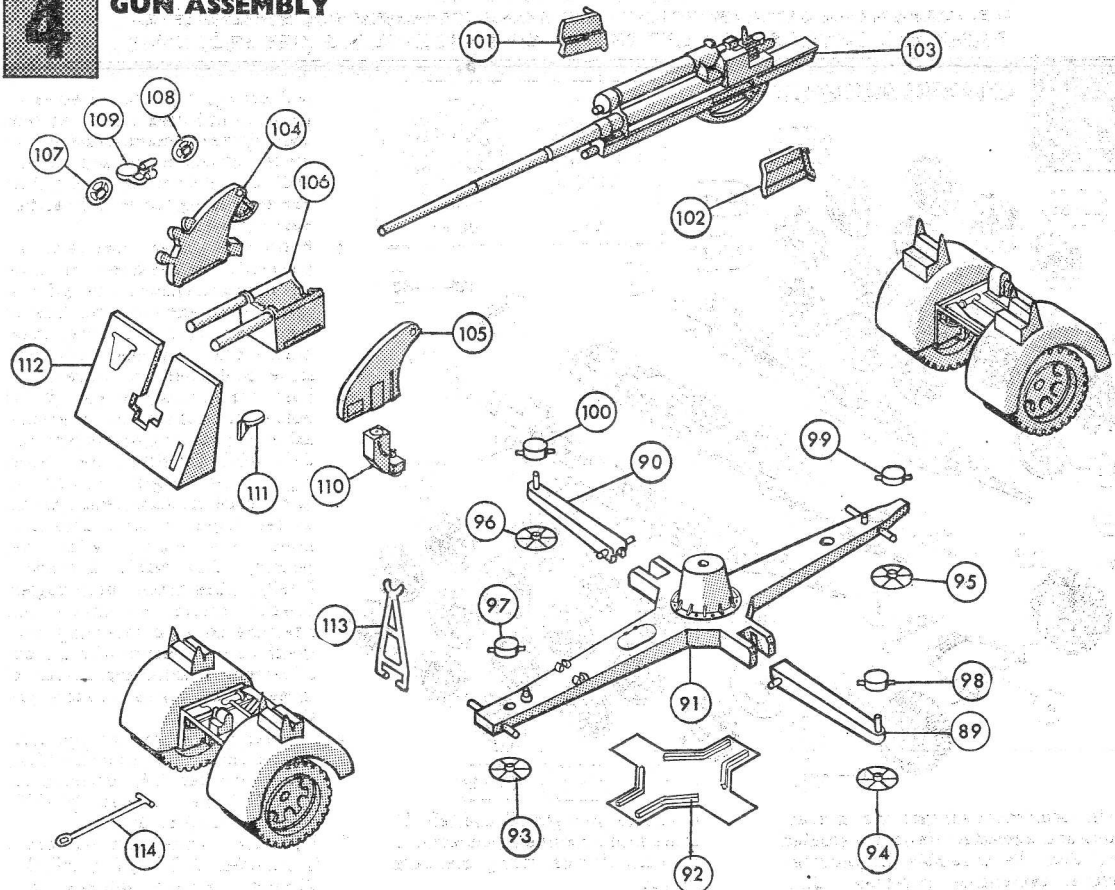
## BOGIE ASSEMBLY



- 88mm. GUN. Three versions can be modelled, in towing position as coloured illustration, anti-aircraft or anti-tank position as shown in section 5.
26. Cement tops of front and rear springs (69-72) into outer slots beneath centre section of front (73) and rear (74) bogies.
  27. Cement locating pins on top of front (75) and rear (76) axles into inner locating holes beneath centre section of front and rear bogies, axles fitting into cut outs in bottom inner mudguard walls.
  28. Place, DO NOT CEMENT, wheels (77-84) onto ends of axles, two wheels per axle, then carefully cement hub caps (85-88) onto protruding ends of axles, ensure wheels are free to turn. Set bogie assemblies aside to dry.

# 4

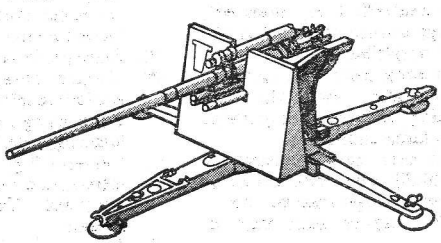
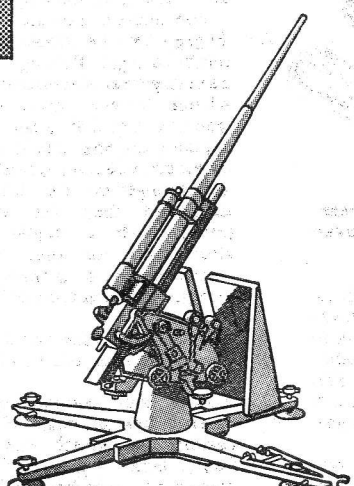
## GUN ASSEMBLY



29. Place, DO NOT CEMENT, pivot pins on side outriggers (89-90) into recesses beneath short side projections on lower gun carriage (91) channelled undersides of outriggers to bottom.
30. Cement ribs on top of gun carriage underplate (92) into channelled underside of lower gun carriage outriggers. NOTE: not side outriggers.
31. Cement locating pins on jack bases (93-96) into locating holes beneath ends of side outriggers and in cross members beneath outriggers on lower gun carriage.
32. Locate and cement jack handles (97-100) onto outer locating pins on top of side outriggers and lower gun carriage outriggers, handles at right angles to outriggers.
33. Cement ribs on right and left sides of gun cradle (101, 102) into slots in gun barrel sides (103).
34. Cement right and left trunnions (104, 105) to sides of traversing block (106) (recesses at bottom of trunnions fitting over ribs on traversing block sides) at same time locate, DO NOT CEMENT, pivot pins on gun cradle into inner locating holes at top of trunnions.
35. Cement locating pins on elevating wheels (107, 108) into recesses in square projection at base of right trunnion.
36. Locate lug on right hand seat (109) between locating pins at bottom of right trunnion (raised if gun is in towing position).
37. Cement elevating mechanism case (110) over raised rectangular panel at bottom and centre of left hand trunnion.
38. Cement lug on left seat (111) into slot in rear of gun shield (112).
39. Slide gun shield over gun barrel and balance weights on traversing block and cement stops on shield to front of traversing block.
40. Press, DO NOT CEMENT, pivot pin beneath traversing block into hole in central mounting on lower gun carriage.
41. Press, the two bottom pivot pins on gun barrel support (113) into locations on forward outrigger of lower gun carriage, upright, to support barrel if gun is in towing position, down if gun is laid for anti-aircraft or anti-tank operation.
42. Press pivot pins on towing bar (114) into hooks on front of front bogie.
43. If towing position is being modelled, press pivot pins on bottom of bogie assemblies into lower locating holes in ends of lower gun carriage outriggers.

# 5

## COLOUR SCHEME



- MATT BLACK M.6.**  
Tyres
- SAND.** Tractor and gun.  
To obtain correct sand colour mix
- YELLOW G2. Ivory M4.**