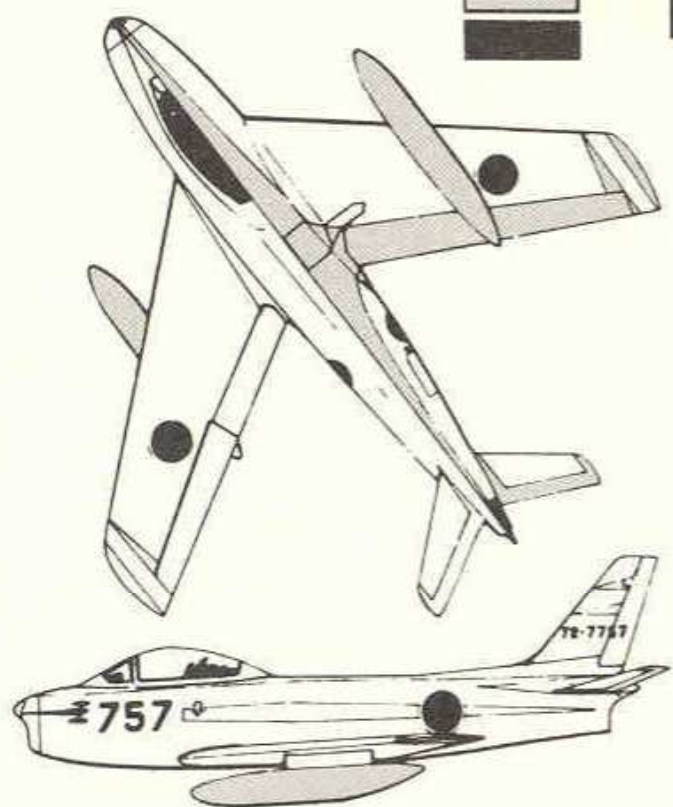


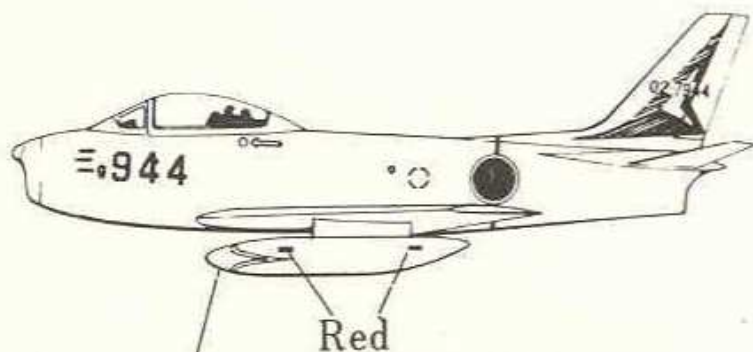
1/72 SCALE NORTH AMERICAN F-86F SABRE

F-86F

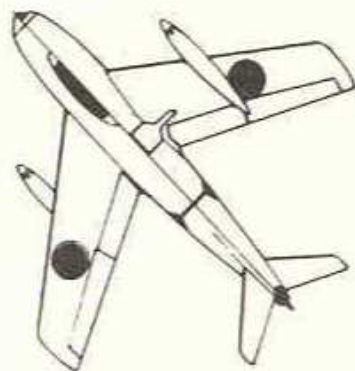


Printed in Japan.

F-86F Assigned at Iruma Air Base.



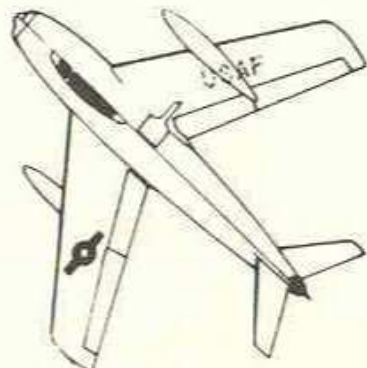
Yellow or green edged in white.



F-86F Assigned to the 44th
Fighter Bomber wing(1954).



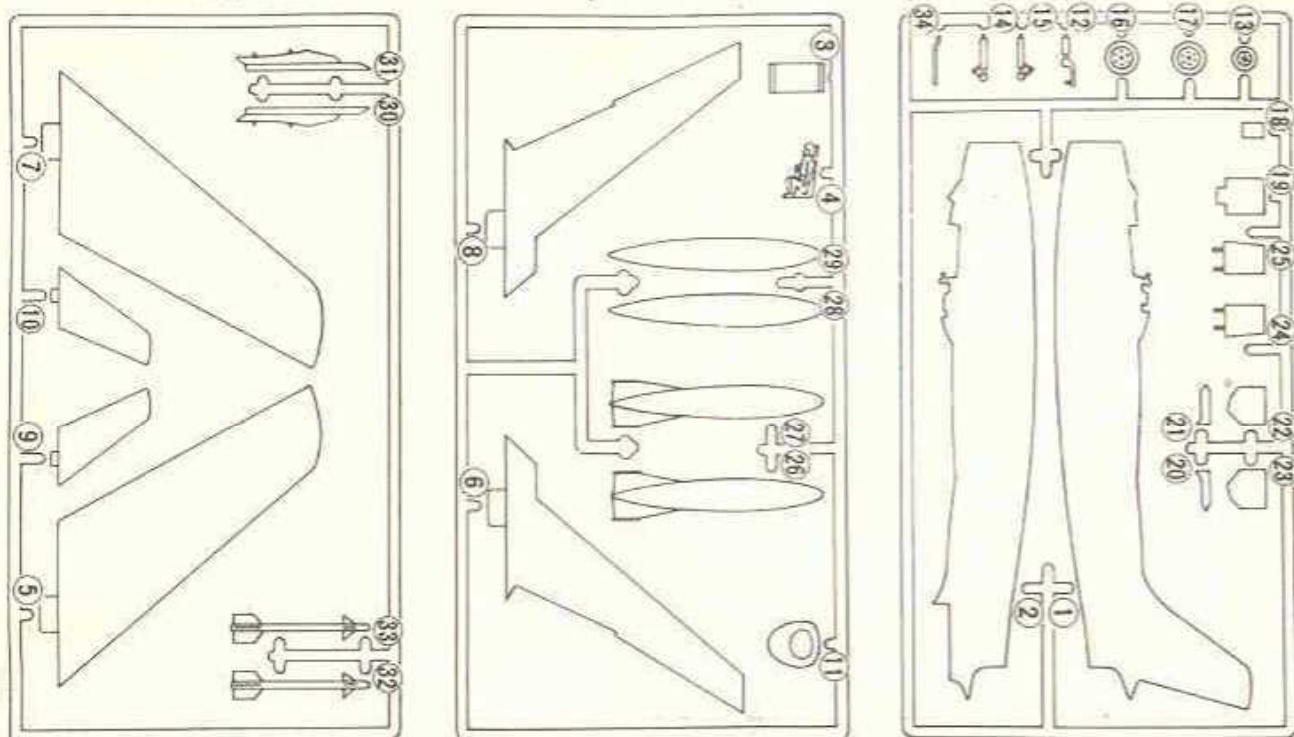
Red edged in white.



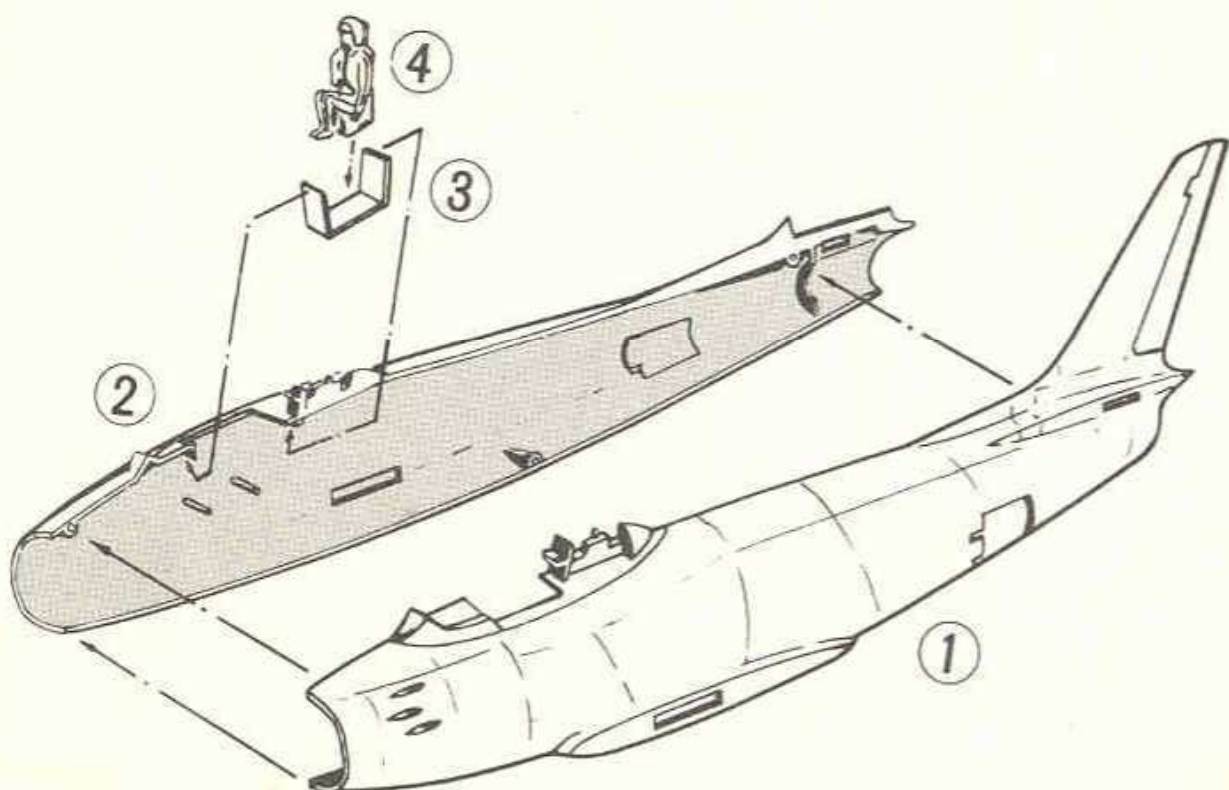
HASEGAWA PLASTIC MODEL CO., LTD.

PART DRAWINGS AND PART NUMBERS (Before Assembling Your Kit)

Read these instructions carefully before assembling your model and check the exact fit of the parts before cementing. Clean off excess plastic, if any, with a sharp knife or a file. Since many tiny parts are included, check them with the assembly drawing before assembling. Do not tear off parts from the stem, but cut them off carefully with nippers or tinsnips. Do not cut off all of the parts at the beginning, but cut each part to be assembled one by one to assure each part being properly identified. Do not use too much adhesive because surplus adhesive will spoil the appearance.

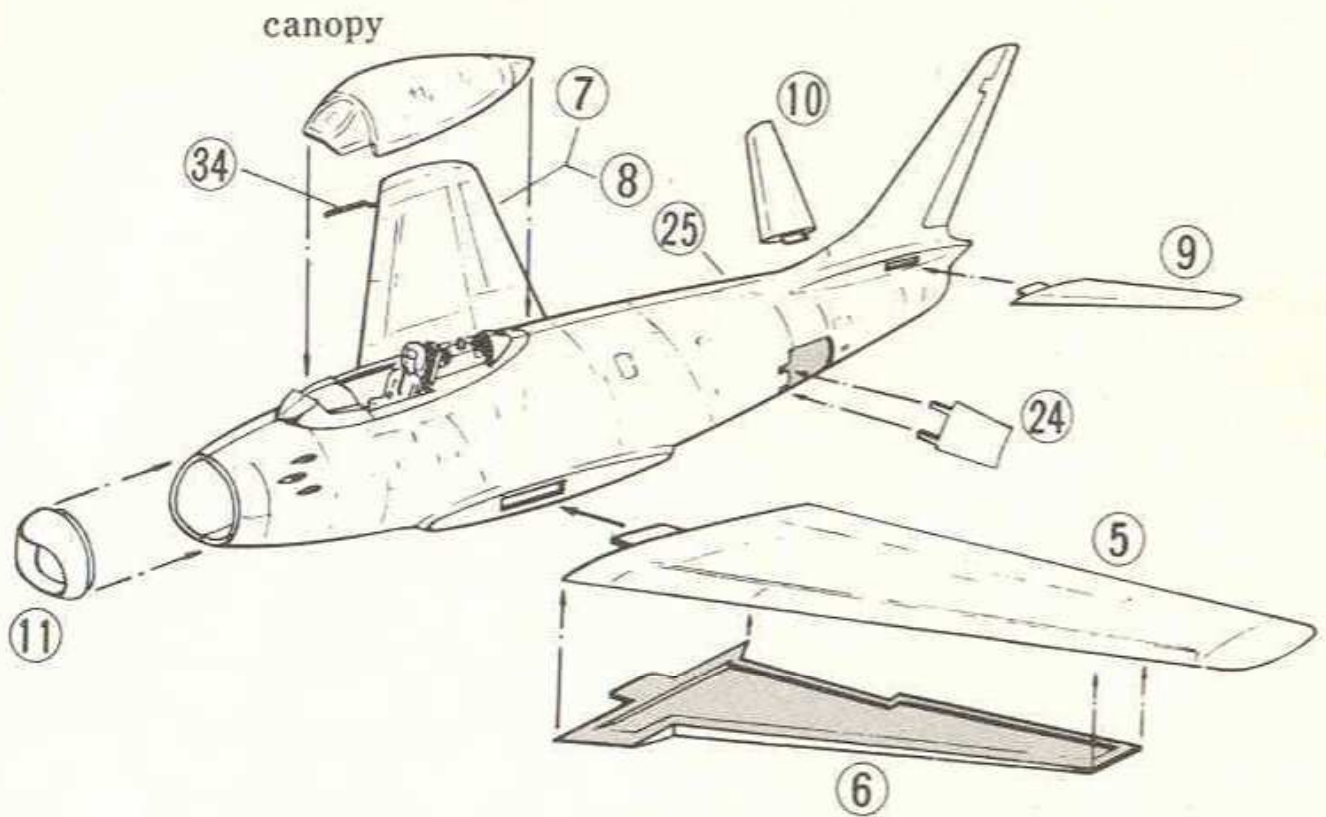


1 Assembling of fuselage, cockpit and pilot.



- 1** ① Fuselage (left). ② Fuselage (right). ③ Cockpit. ④ Pilot. Bond the cockpit ③ and the pilot ④ to the fuselage when the left and right parts of the fuselage are bonded together. Put a weight (clay or pebbles) in the nose when the fuselage is cemented together because the nose will go upward when the assembled model is placed on a level surface.

2 Assembling of main wing, tail, canopy and others.



- 2
- ⑤ Top of main wing (left).
 - ⑥ Underside of main wing (left).
 - ⑦ Top of main wing (right).
 - ⑧ Underside of main wing (right).
 - ⑨ Tail (left).
 - ⑩ Tail (right).
 - ⑪ Air intake.
 - ⑲ Hatch (left).
 - ⑳ Hatch (right).
 - ㉓ Pitot tube.
- Canopy.

3 Assembling of nose wheel.

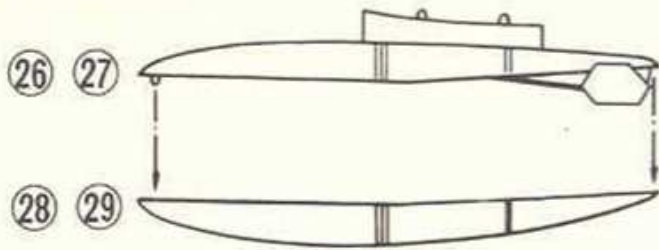
- 3
- ⑫ Nose wheel strut.
 - ⑬ Nose wheel.

4 Assembling of main wheel.

To the underside of the main wing.

- 4
- ⑭ Main wheel strut (left).
 - ⑮ Main wheel strut (right).
 - ⑯ ⑰ Main wheels.
 - ⑳ Main wheel cover (left).
 - ㉑ Main wheel cover (right).
- Assemble ⑭⑯ and ⑳ in the same manner.

5 Assembling of under-wing additional tank.

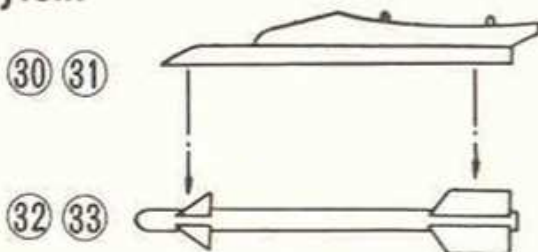


5

②⑥ ②⑦ Under-wing additional tank top.

②⑧ ②⑨ Under-wing additional tank (underside).

6 Assembling of missile and pylon.

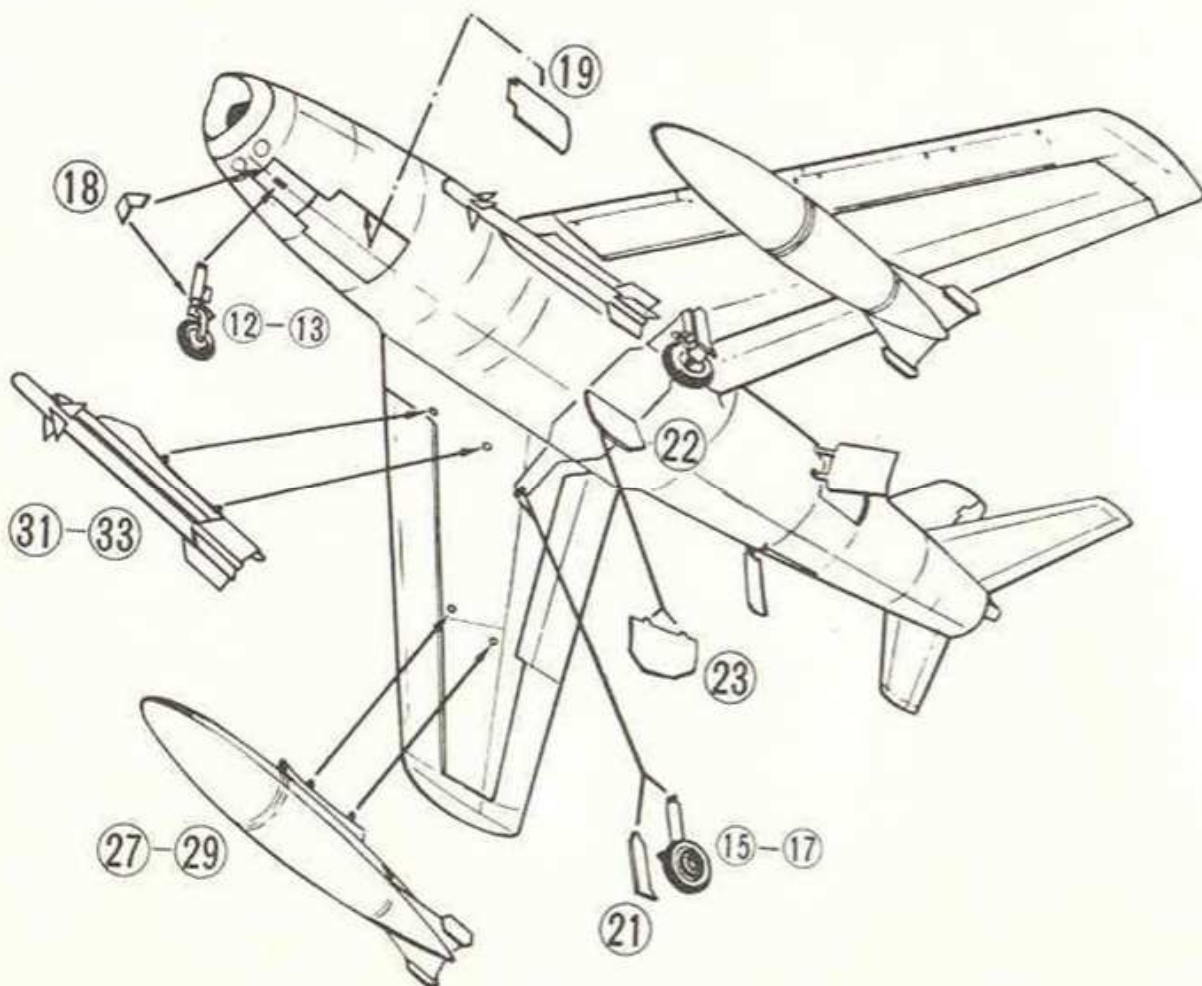


6

③① ③② Pylon.

③② ③③ Sidewinder missile.

7 Fixing of nose wheel covers, main wheel covers and assembled parts.



7 Nose wheel cover ⑱.
Nose wheel cover ⑲.

Main wheel cover (left) ⑳.
Main wheel cover (right) ㉓.