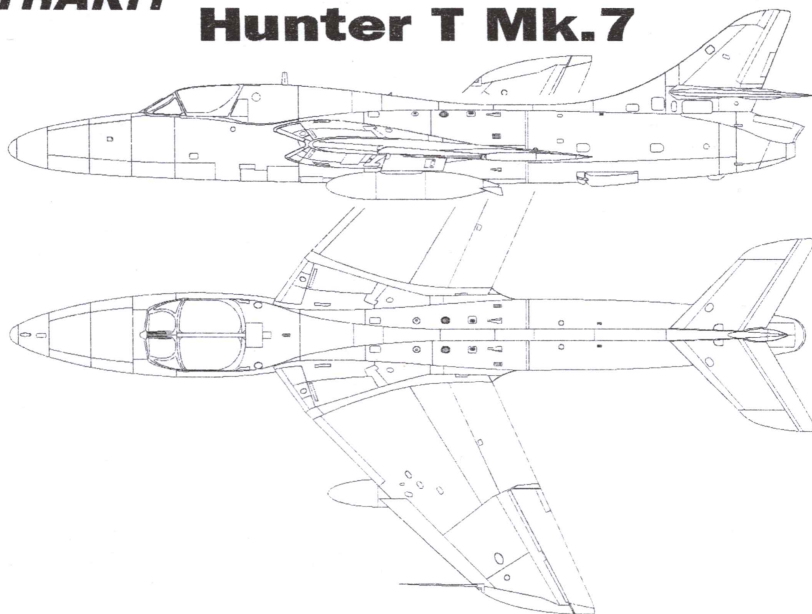




PLASTIC AIRCRAFT KIT

Hunter T Mk.7



1/72 scale

XK 72013

HISTORY

The Hawker Hunter was designed in 1948 by Hawker's Chief Designer, Sir Sidney Camm, who had seen a need for a second generation fighter for the RAF to follow the first jets, the Vampire and Meteor families. He produced a beautiful looking aircraft which was to become the Hunter.

The first flight was on July 20th 1951 from Boscombe Down, piloted by Sqn. Ldr Neville Duke, Hawker's new chief test pilot.

The design proved most successful and served with the RAF for many years following several upgrades with the last one being the Hunter FR.10, a reconnaissance version.

As early as 1953 the idea of a two seat version for use as an advanced trainer was proposed as a private venture by Hawkers. Tandem and side by side layouts were discussed with the side by side layout being adopted and the first prototype flew on July 8th 1955.

The first airframes were modified F.Mk.4s but it took some time to sort out an instability problem caused by the new canopy and fairing but by mid 1956 the problems were solved and the Ministry of Supply placed an order for the Hunter T.Mk.7 trainer. These were to be conversions of F.Mk.4s with the addition of a tail mounted braking parachute as used on the F.Mk.9 which turned out to be a bad decision as it caused a shortage of spares as time went on.

A total of fifty five new build T.MK. 7s were produced with the last ten changed to T.Mk.8s for use by the Royal Navy with arrestor hooks and other naval equipment. Some were reconverted back to T.Mk.7s and fitted with Blue Vixen radar in a more pointed nose for training Sea Harrier pilots.

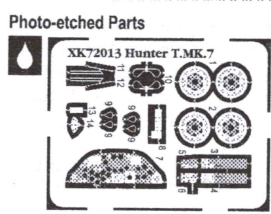
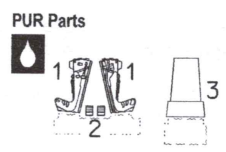
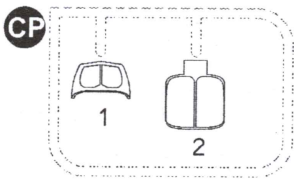
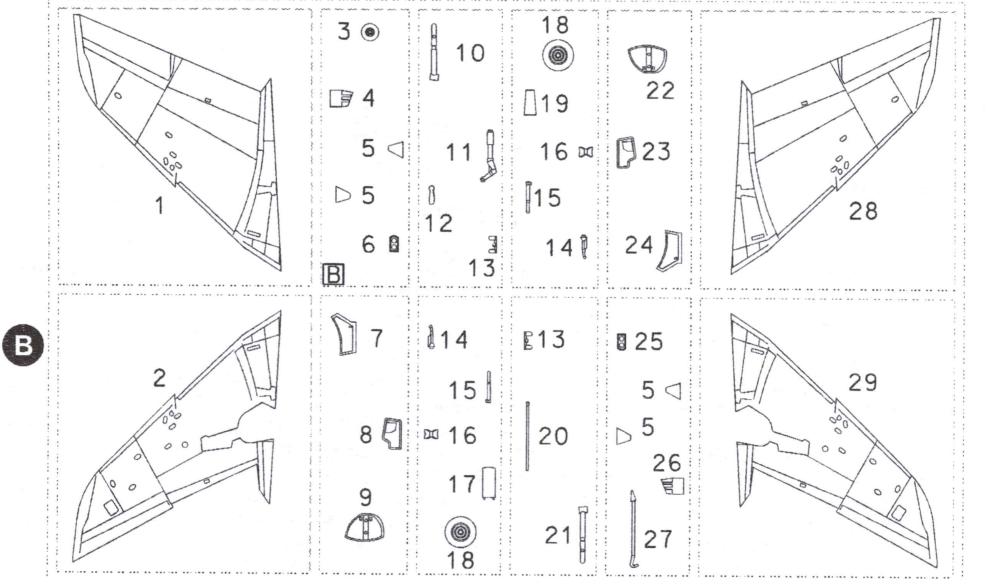
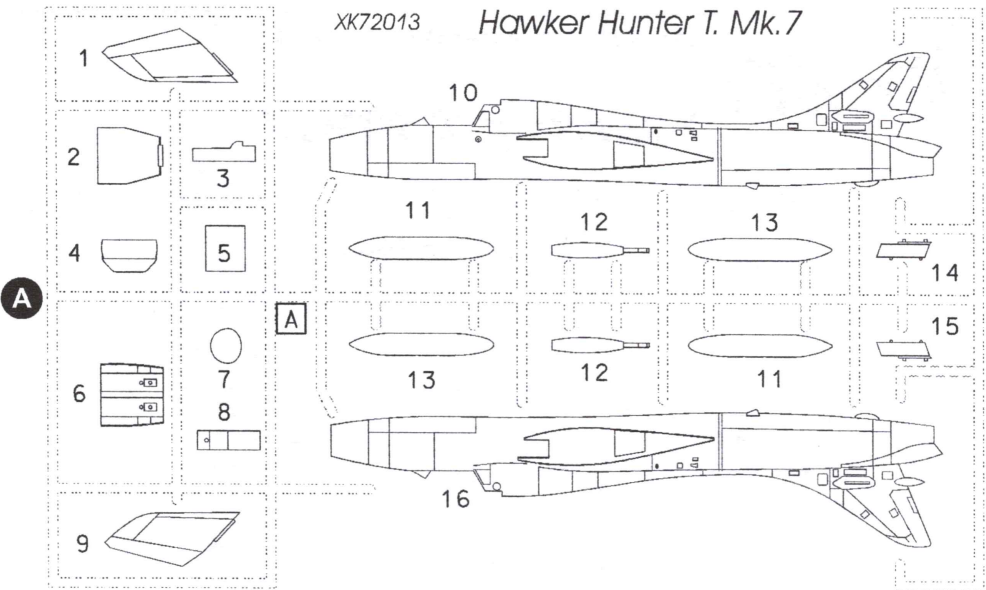
Most RAF Hunter squadrons were allocated a T.Mk.7 with the remainder going to 229 OCU at Chivenor. They served as advanced trainers and weapons trainers for over 20 years and there are still a few in flying condition in private ownership.

Some were also exported to countries such as Denmark, Switzerland, Rhodesia and Singapore and alternative decals covering these and other RAF Squadrons can be found on Xtradecal X72-123.

Produced by MPM Production for Hannant's, Harbour Road, Lowestoft, Suffolk, NR32 3LZ, UK

XK72013

Hawker Hunter T. Mk.7



SYMBOLS

- 

OPTIONAL
NACH BELIEBEN
OPTION
- 

SCRATCH BUILD
FERTIGSTELLEN
ACHEVER
- 

CUT OFF/DRILL
ENTFERNEN
DETACHER/PERCER
- 

BEND
BIEGEN
COURBER
- 

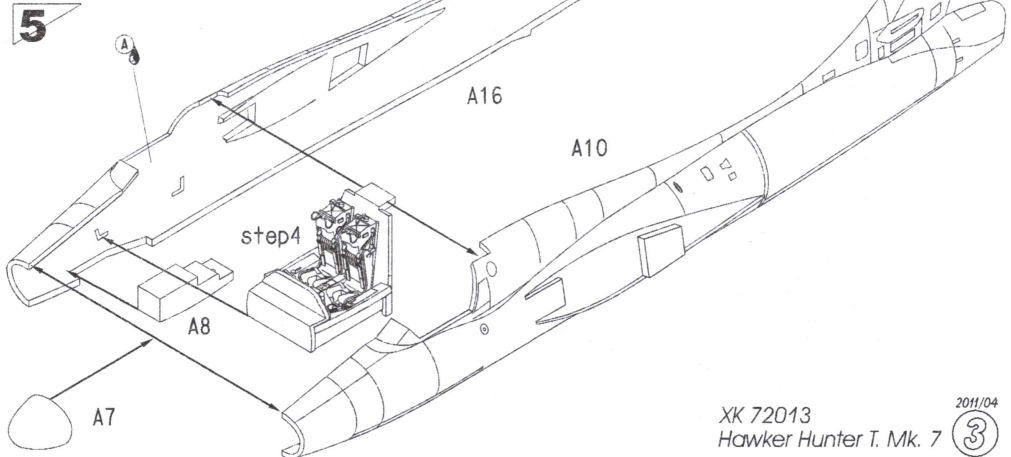
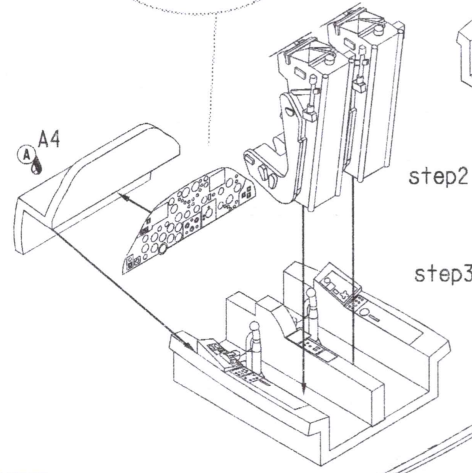
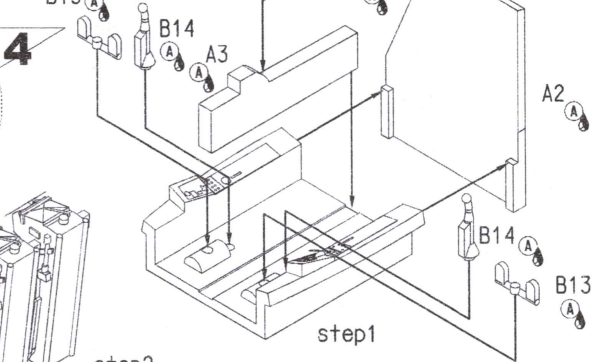
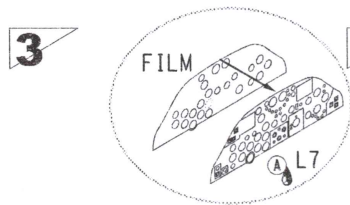
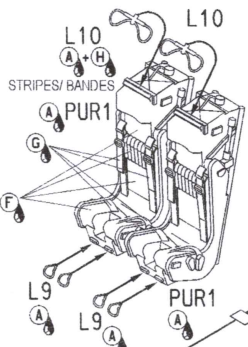
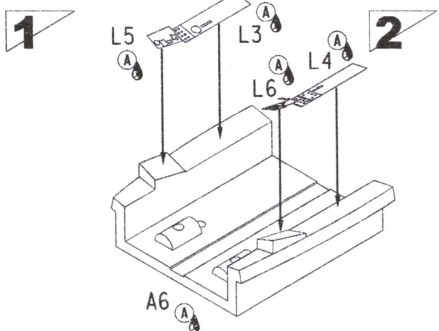
INSTANT CYANOACRYLATE GLUE
METAL KLEBER
COLLE CYANOACRYLATE
- 

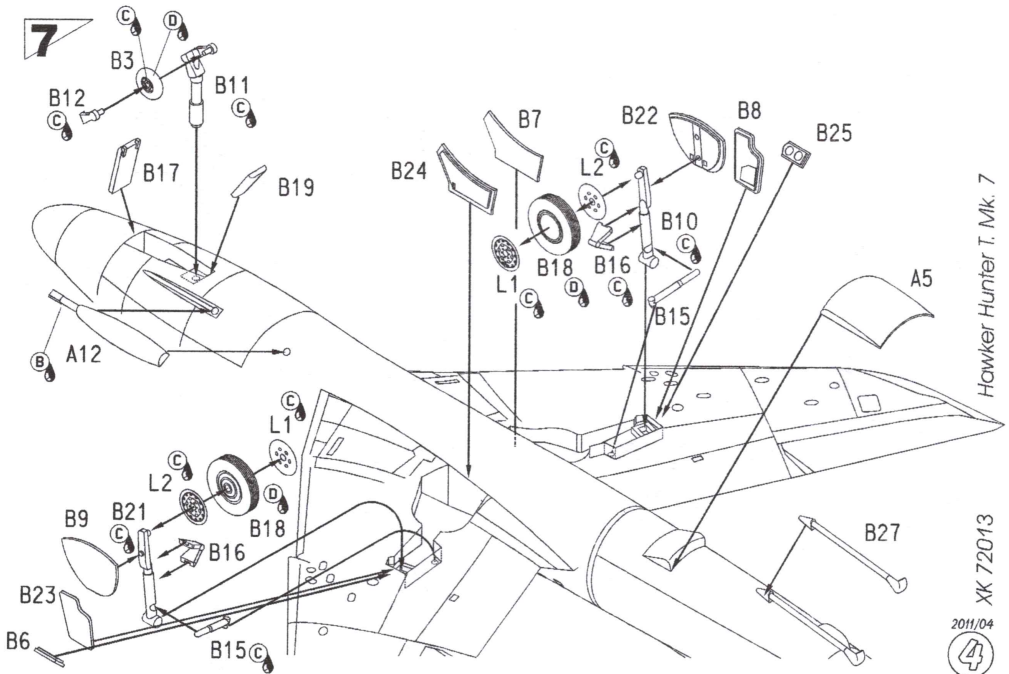
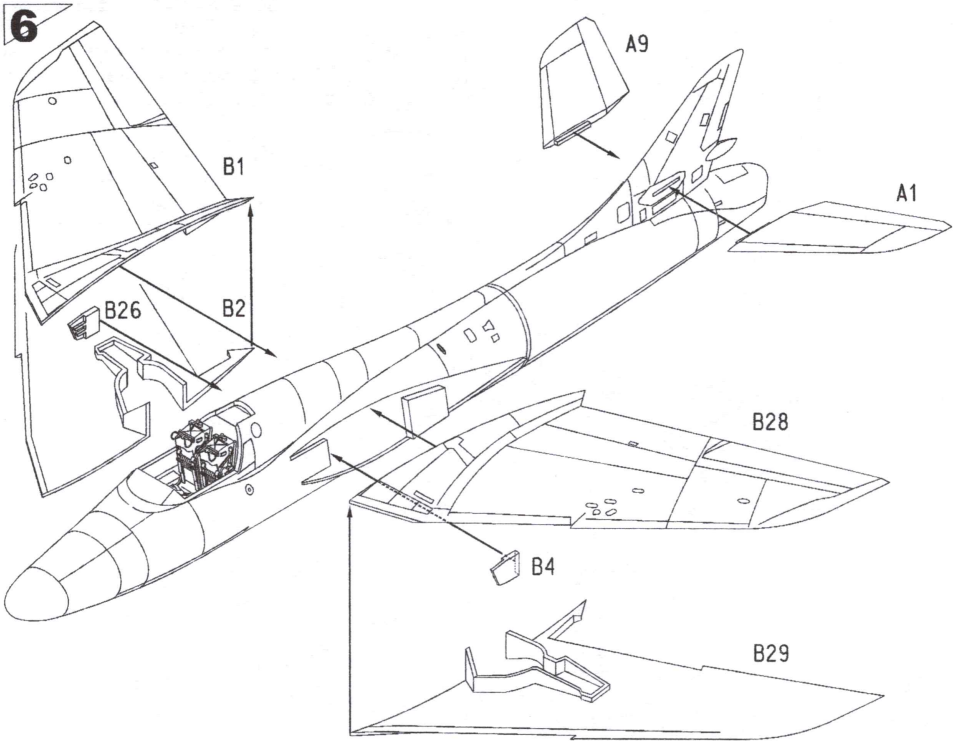
COLOUR
FARBEN
PEINDRE

2011/04

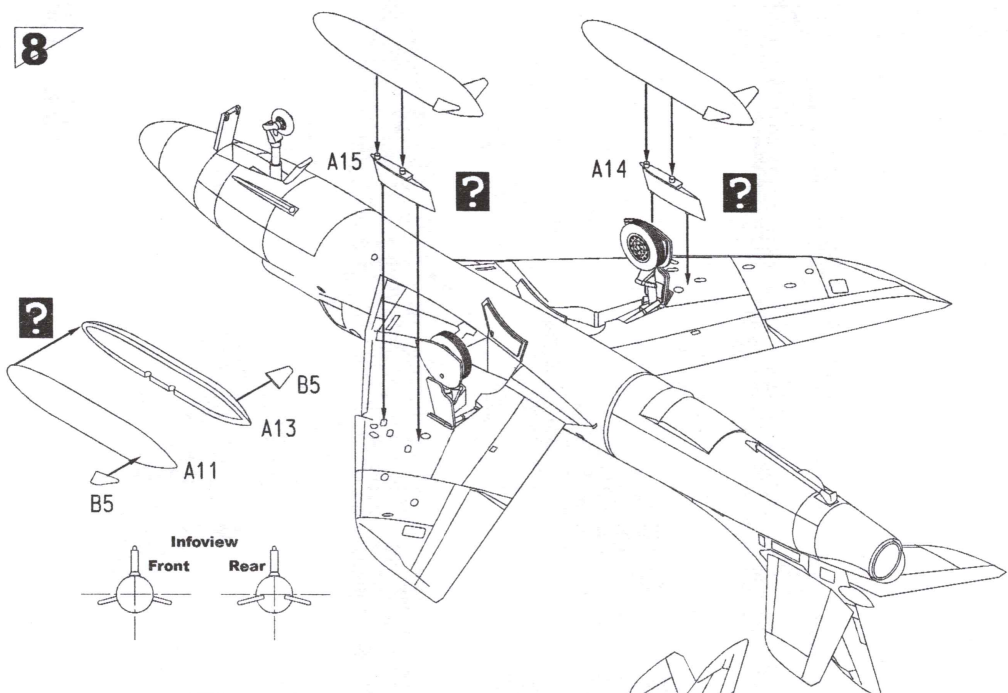
Barvy GUNZE/ GUNZE Colour No.

A	BLACK/ NOIR	H12/C33
B	DARK IRON/ MÉTAL FONCÉ	MC214
C	ALUMINIUM/ ALUMINIUM	MC218
D	TIRE BLACK/ NOIR PNEU	H77/C137
E	BURNT IRON/ MÉTAL BRUNI	H76/C61
F	TAN/ BRUN ROUX	H27/C44
G	LIGHT BLUE/ BLEU CLAIR	H45/C50
H	YELLOW/ JAUNE	H4/C4

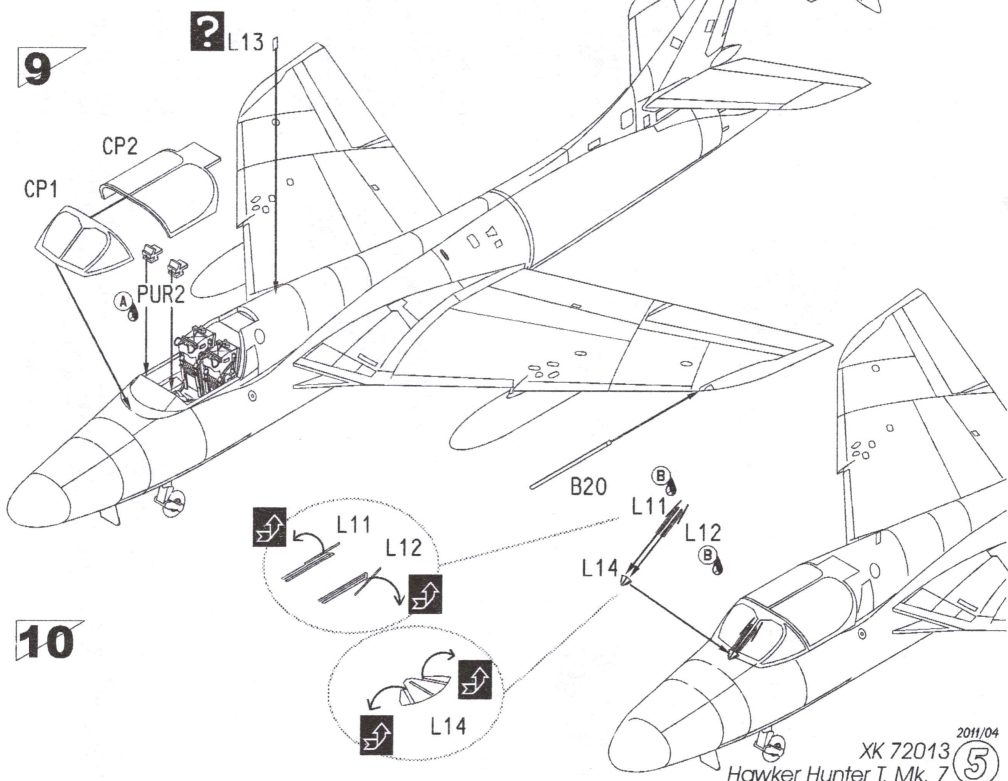




8



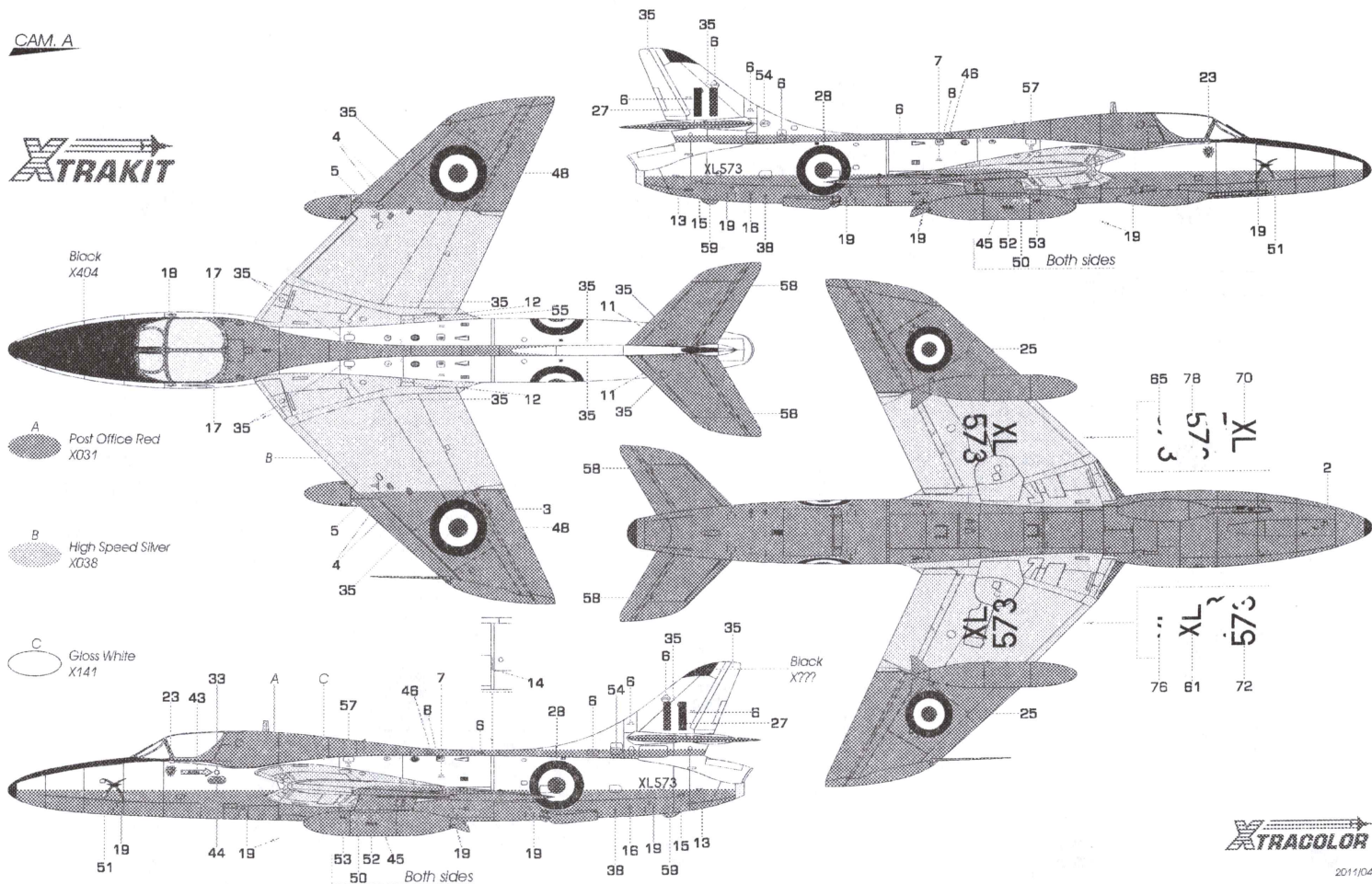
9



10

Hawker Hunter T.7 XL573, No. 237 OCU, RAF Honington, 1986/87.

CAM.A



Block X404

A Post Office Red X031

B High Speed Silver X038

C Gloss White X141

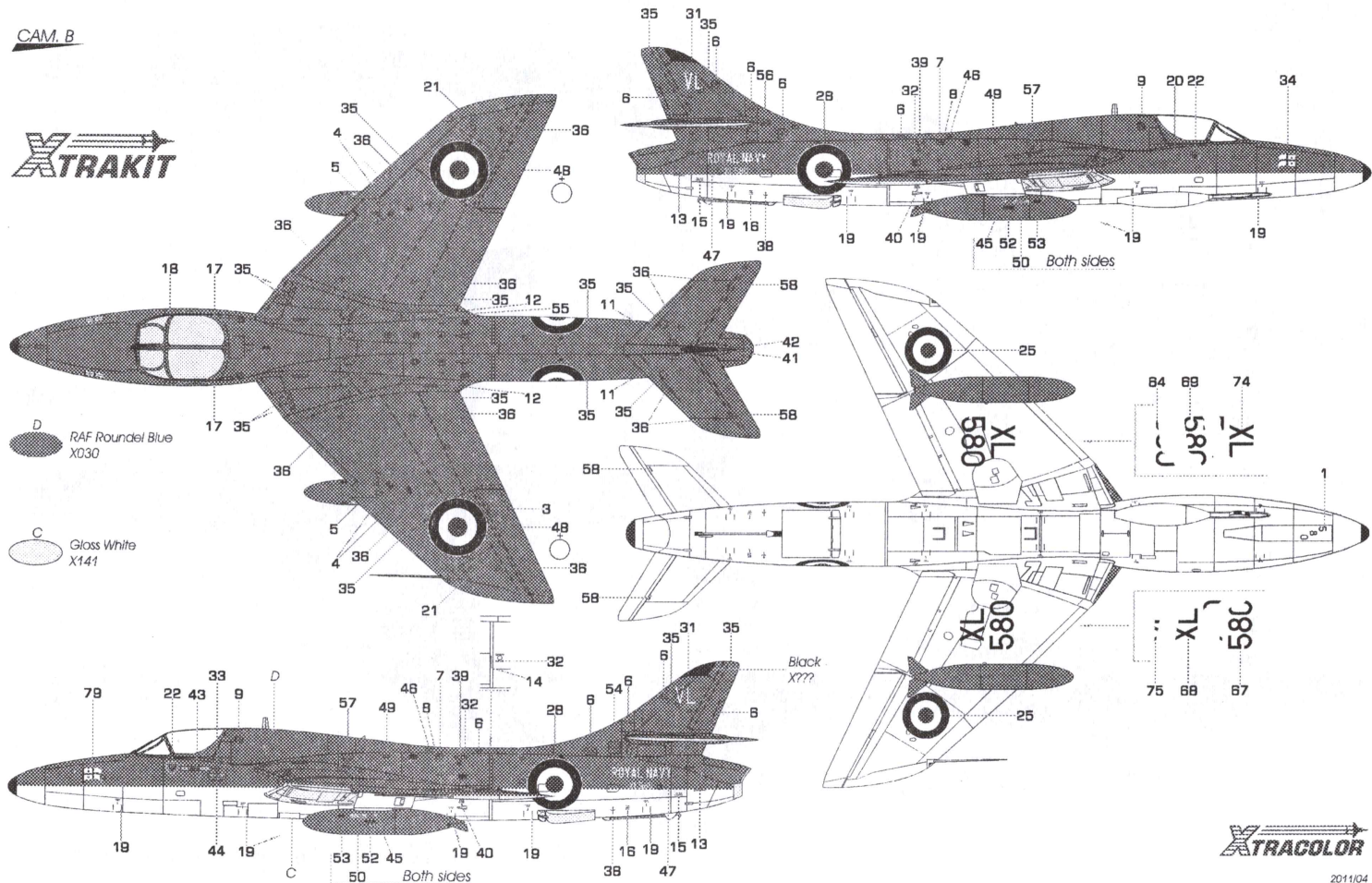
Black X777



2011/04

XK72113 Hunter T.7

CAM. B

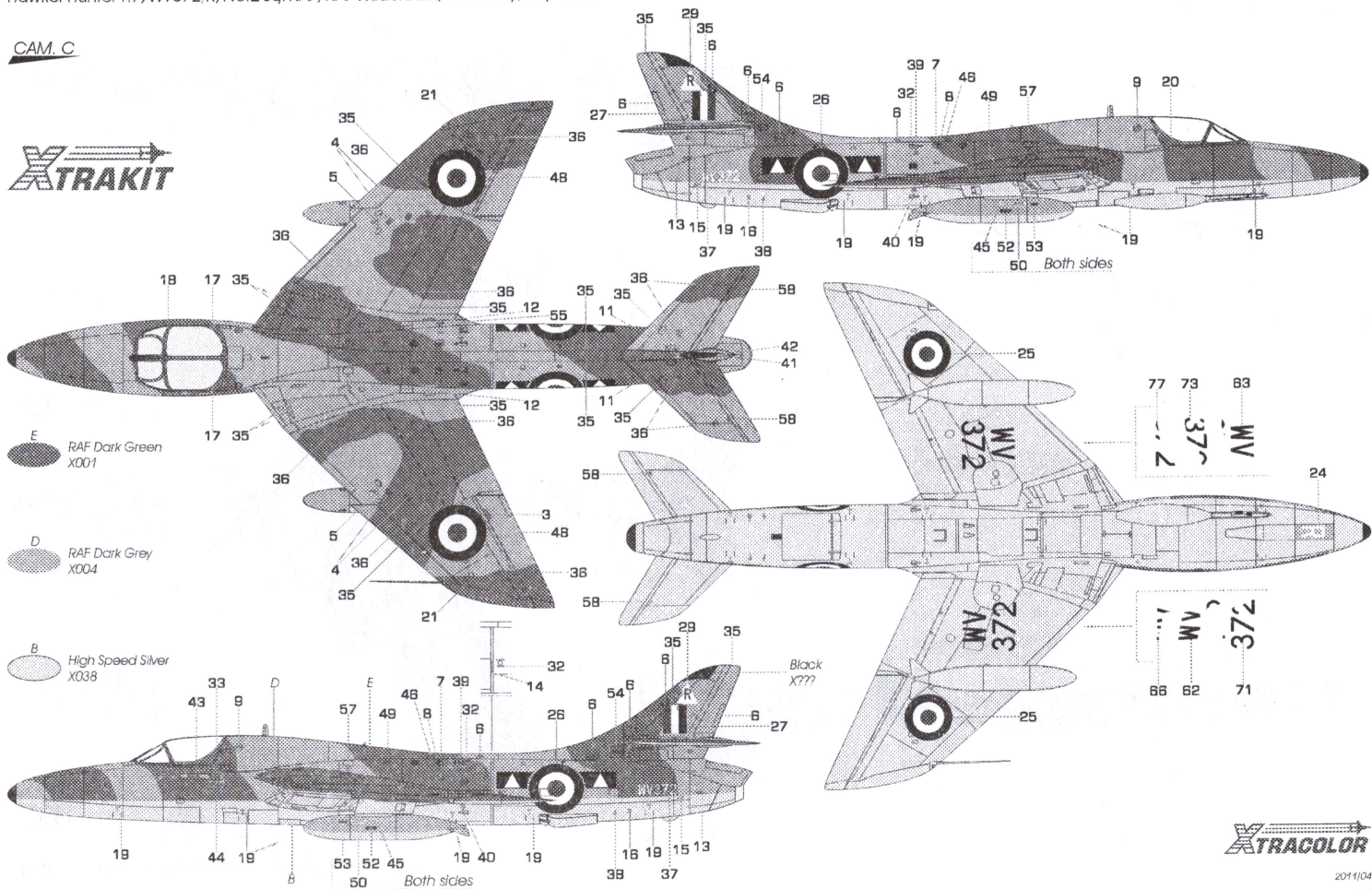


2011/04

XK72113 Hunter T.7

Hawker Hunter T.7, WV372/R, No.2 Sq. RAF, RAF Wildenrath, Germany, July 1970.

CAM. C



201104

XK72113 Hunter T.7

XK72013
Hunter T.7
1/72

5 5 3 4 4 5
8 7 4 4 4
01 32 6 6 6
78 76 75 6 7 7
77 57 73 74 6 8 9
73 37 72 70 10 11 12
71 66 67 69 13 14 15 16 17 18
65 68 62 61 57 58 58
64 63 54 53 52 52

XL 7X 57 89 58 57 58 52 52

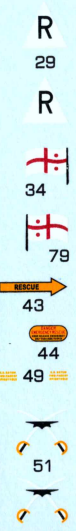
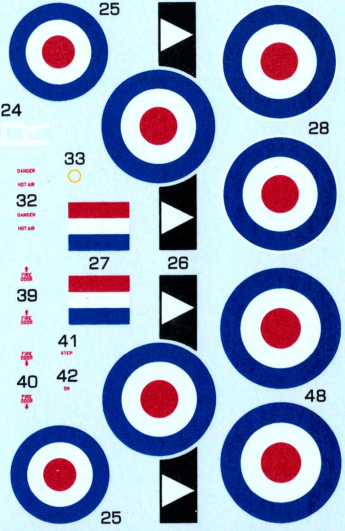
19 19 19 19 19 19

20 21 22 23 24 25

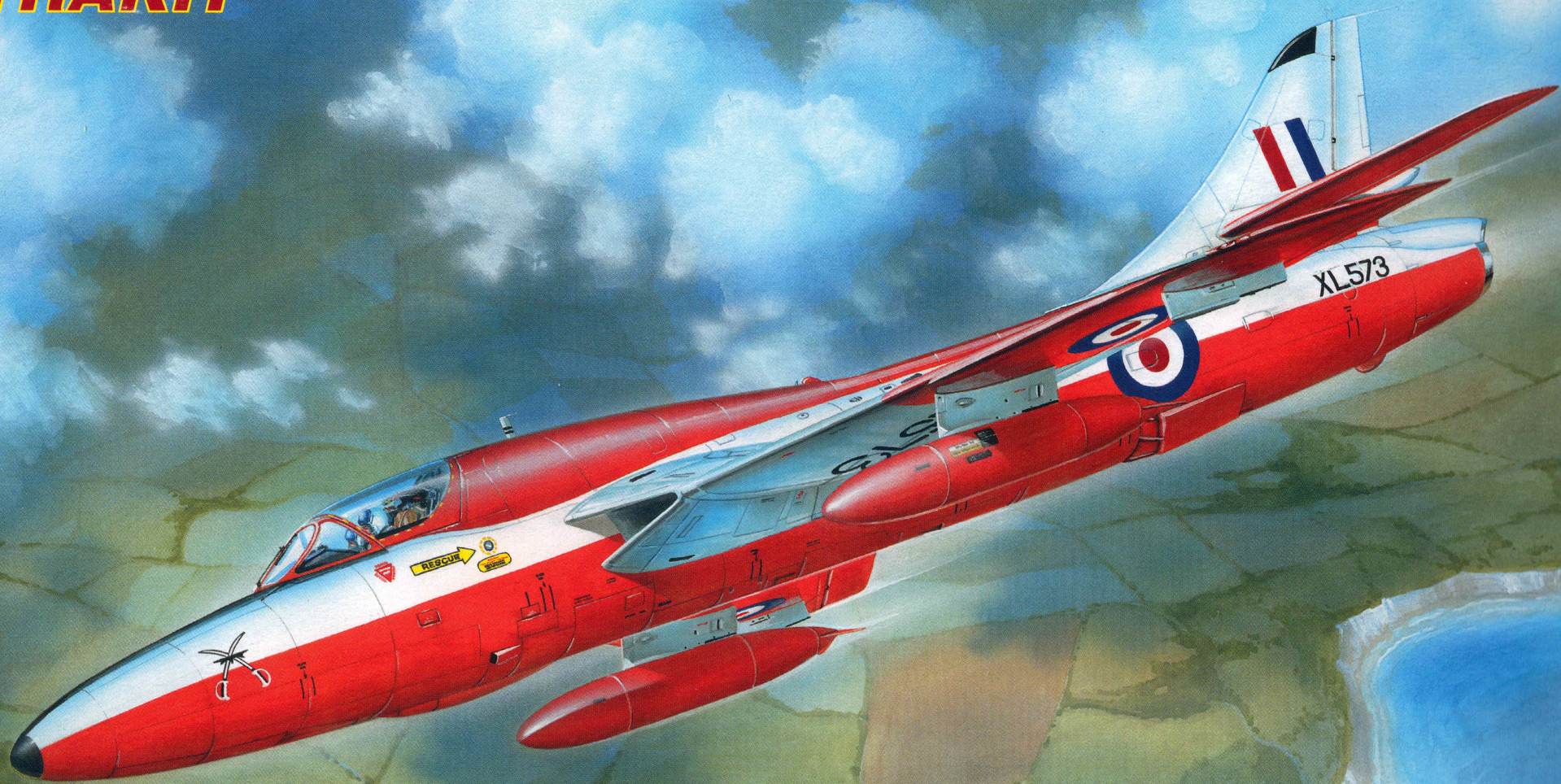
30 31 32 33 34 35 36 37 38

35 36 37 38 39 40 41 42 43 44 45 46 47 48 49 50 50

VL 31 VL
WV372 37 38
WV372
ROYAL NAVY XL580
ROYAL NAVY XL580



XTRAKIT



1:72

Hawker Hunter T.7

Stuart
1/72