

A

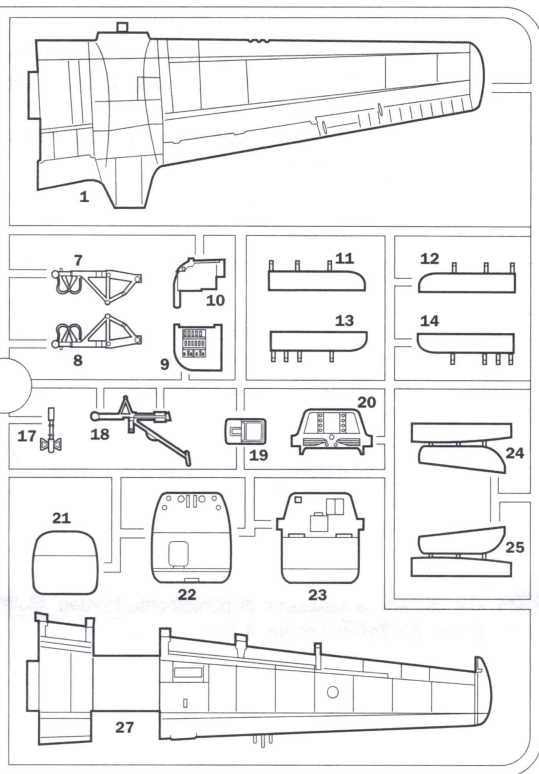
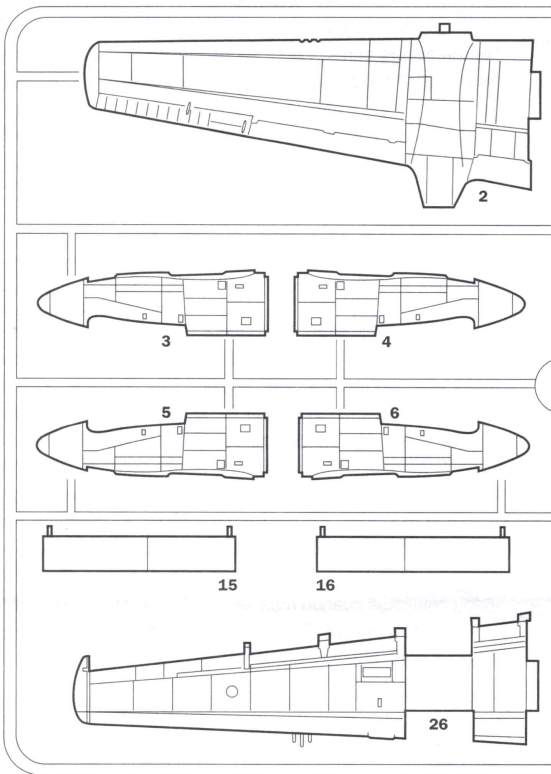
Parts not for use
 Teile werden nicht verwendet
 Parti da non utilizzare
 Pièces à ne pas utiliser



APRIRE I FORI
 DRILL HOLES
 DIE LOCHER AUSBOHREN
 OUVRIR LES TROUS
 PERFORAR LOS AQUEROS
 BOOR GAATJES

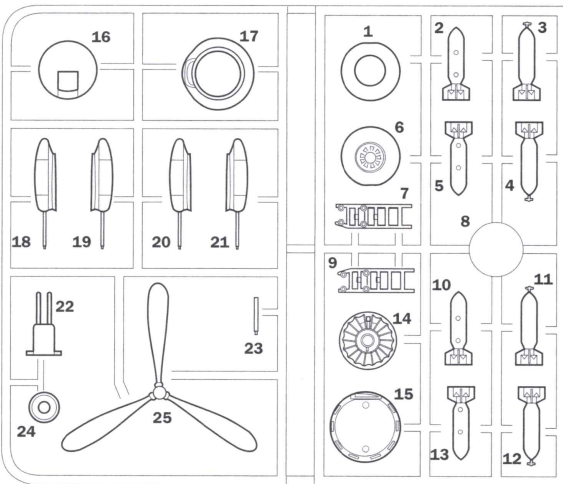


AGGIUNGERE ZAVORRA (PESO)
 INSERT BALLAST
 BALLAST ZUGEBEN
 A LESTER

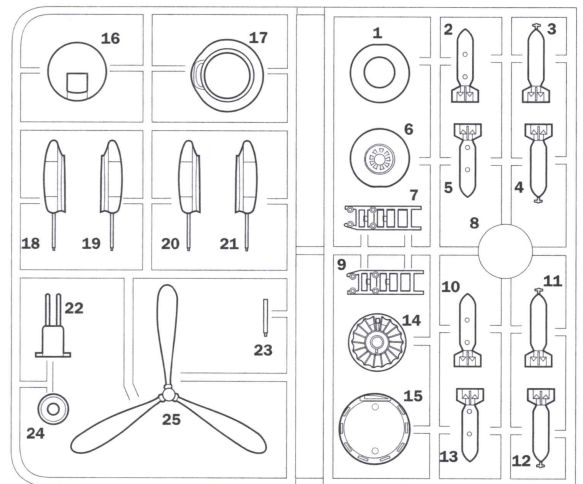


B

D



D



I numeri si riferiscono all'assortimento colori ITALERI Model Master / Acryl Paint System
The indicated colour numbers refer to the ITALERI Model Master / Acryl Paint System
Die angegebenen Farbnummern beziehen sich auf die ITALERI Model Master / Acryl Paint System
Les références indiquées concernent les peintures ITALERI Model Master / Acryl Paint System

A

OLIVE DRAB (FLAT)

F.S. 37087

ITA MM - 1711

ITA MM ACRYL - 4728

B

FIELD GREEN (FLAT)

F.S. 34097

ITA MM - 1712

ITA MM ACRYL - 4708

C

BLACK (FLAT)

F.S. 37038

ITA MM - 1749

ITA MM ACRYL - 4768

D

GREEN ZINC CHROMATE (FLAT)

ITA MM - 1734

ITA MM ACRYL - 4852

E

GUN METAL (METALIZER)

ITA MM - 1405

ITA MM ACRYL - 4681

F

SILVER

ITA MM - 1546

ITA MM ACRYL - 4678

G

INSIGNA WHITE (GLOSS)

F.S. 17875

ITA MM - 1745

ITA MM ACRYL - 4696

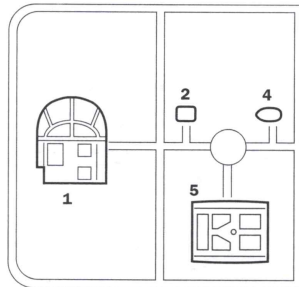
H

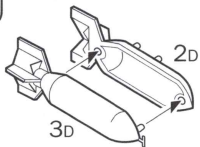
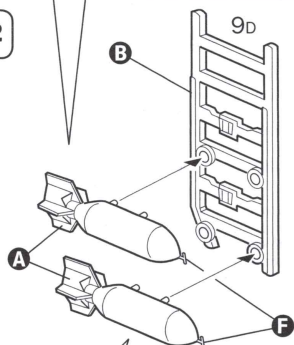
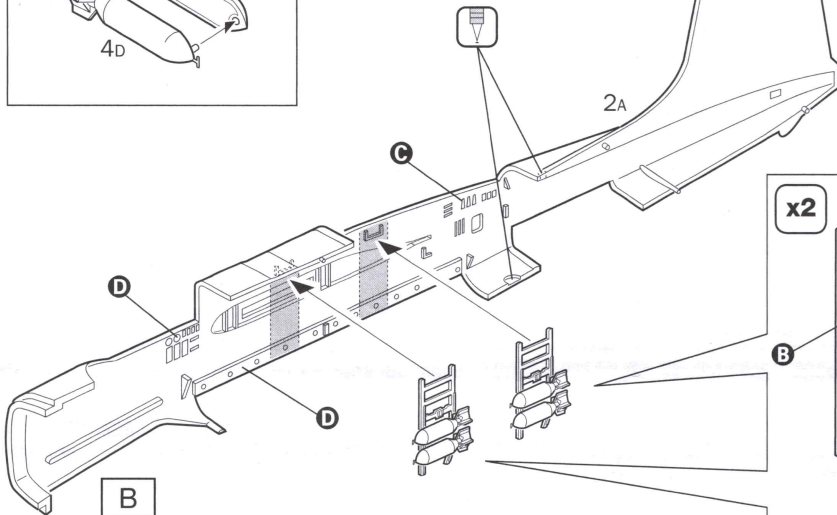
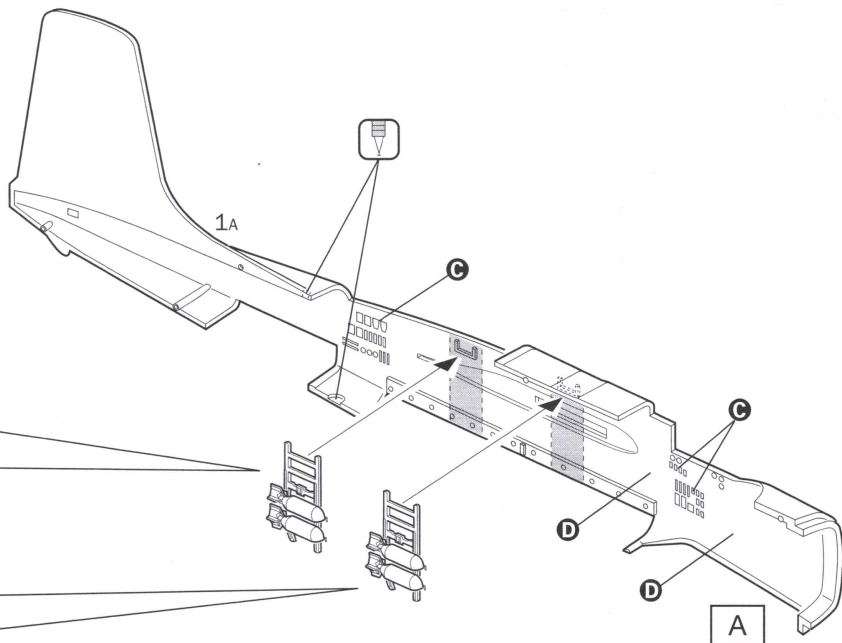
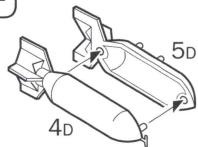
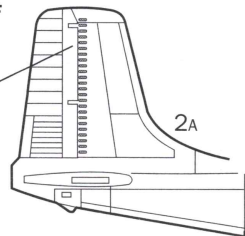
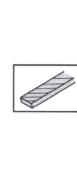
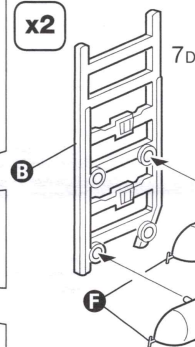
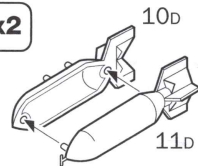
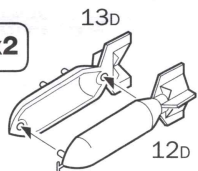
INSIGNA YELLOW (FLAT)

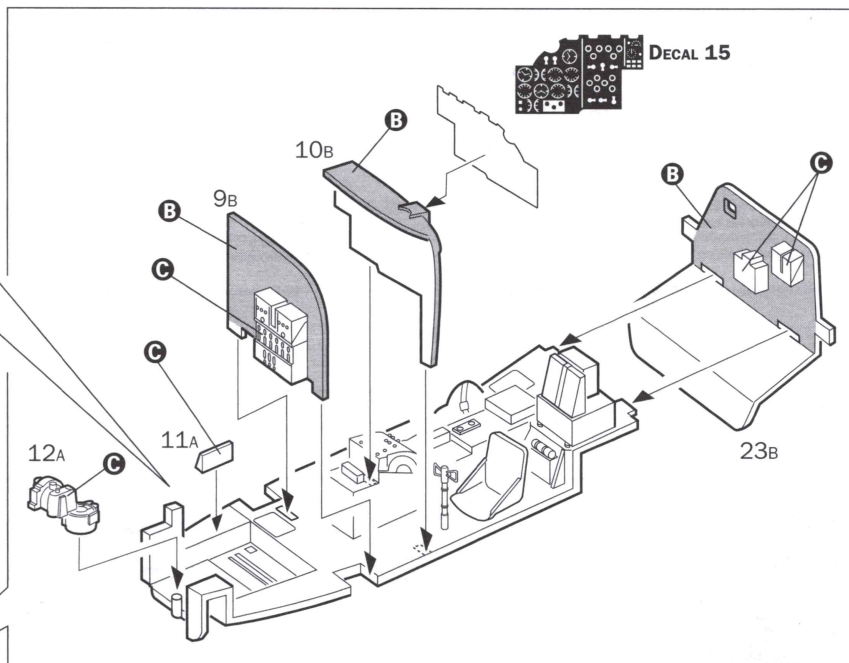
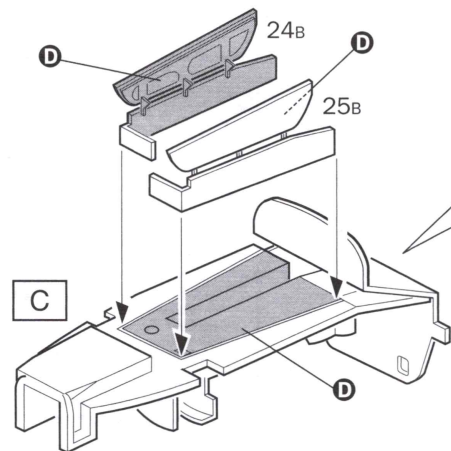
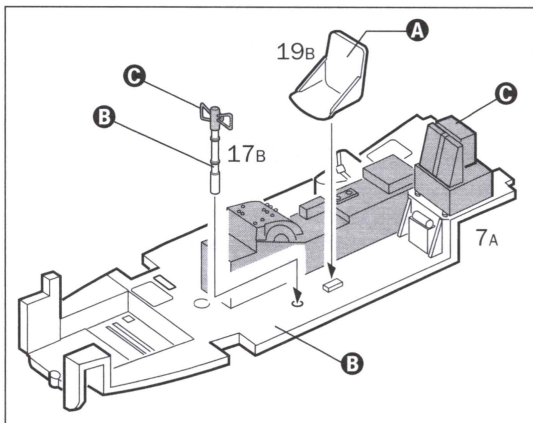
ITA MM - 1708

ITA MM ACRYL - 4721

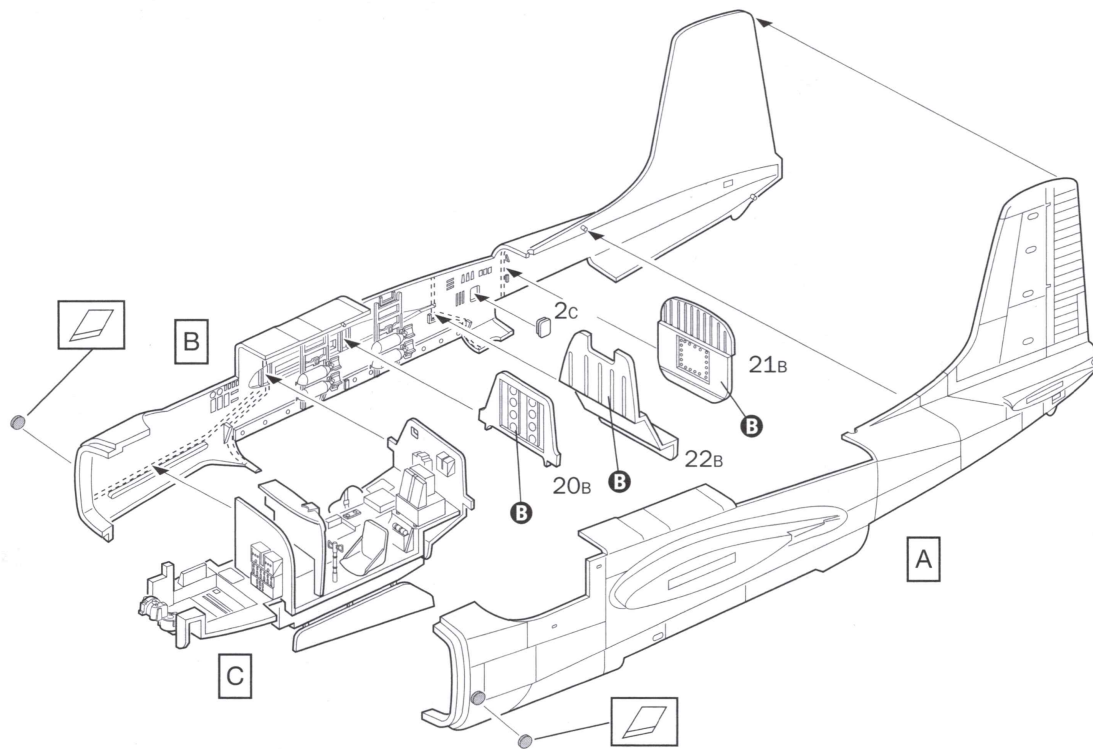
C



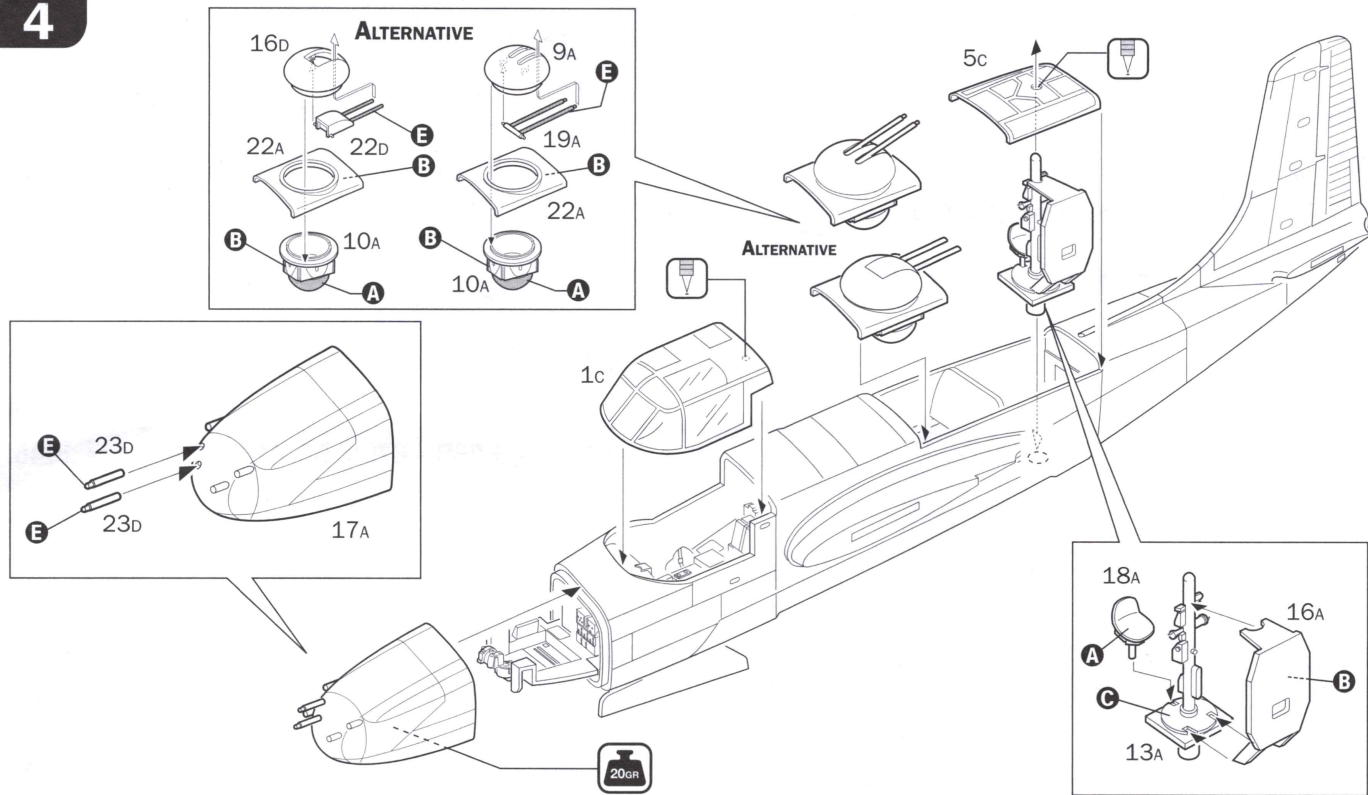
1**x2****x2****x2****GENTLY, SAND OFF****x2****x2****x2**



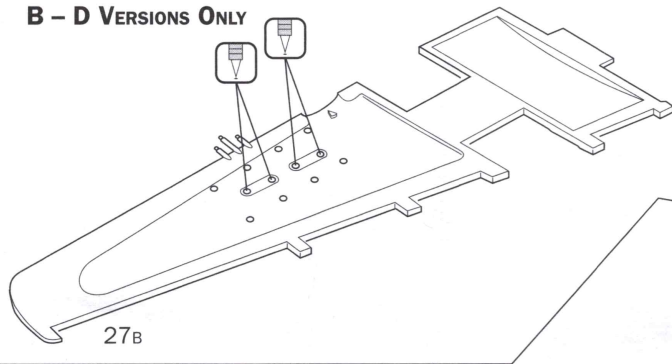
3



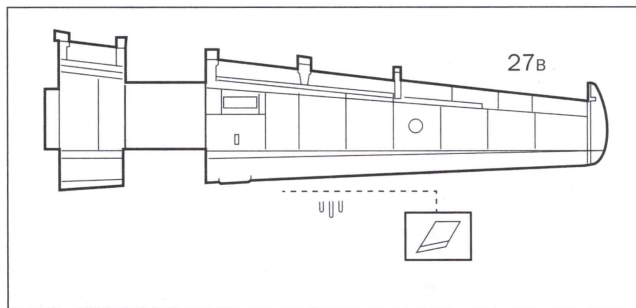
4



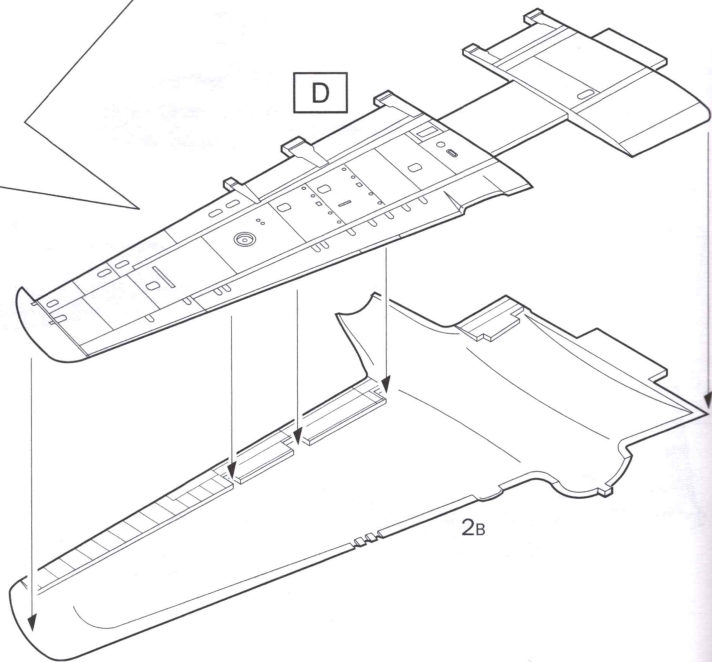
B - D VERSIONS ONLY



27B

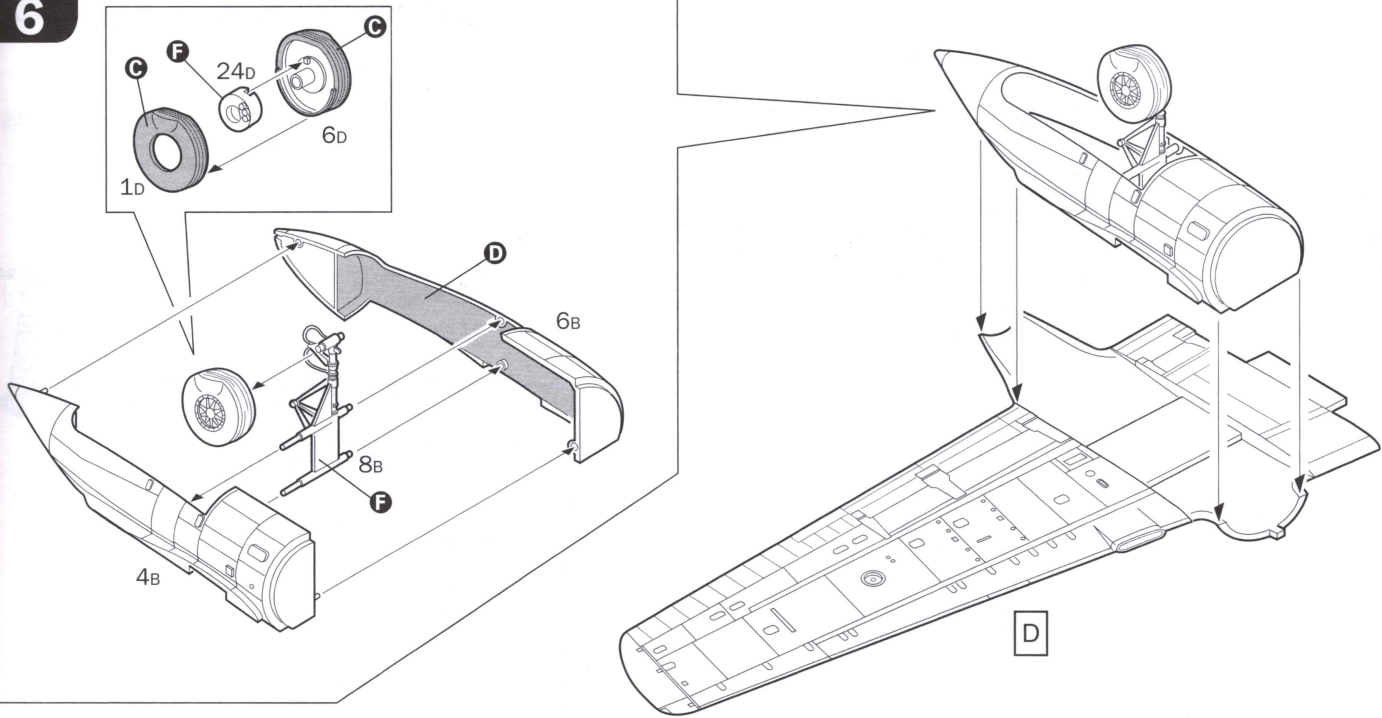


27B

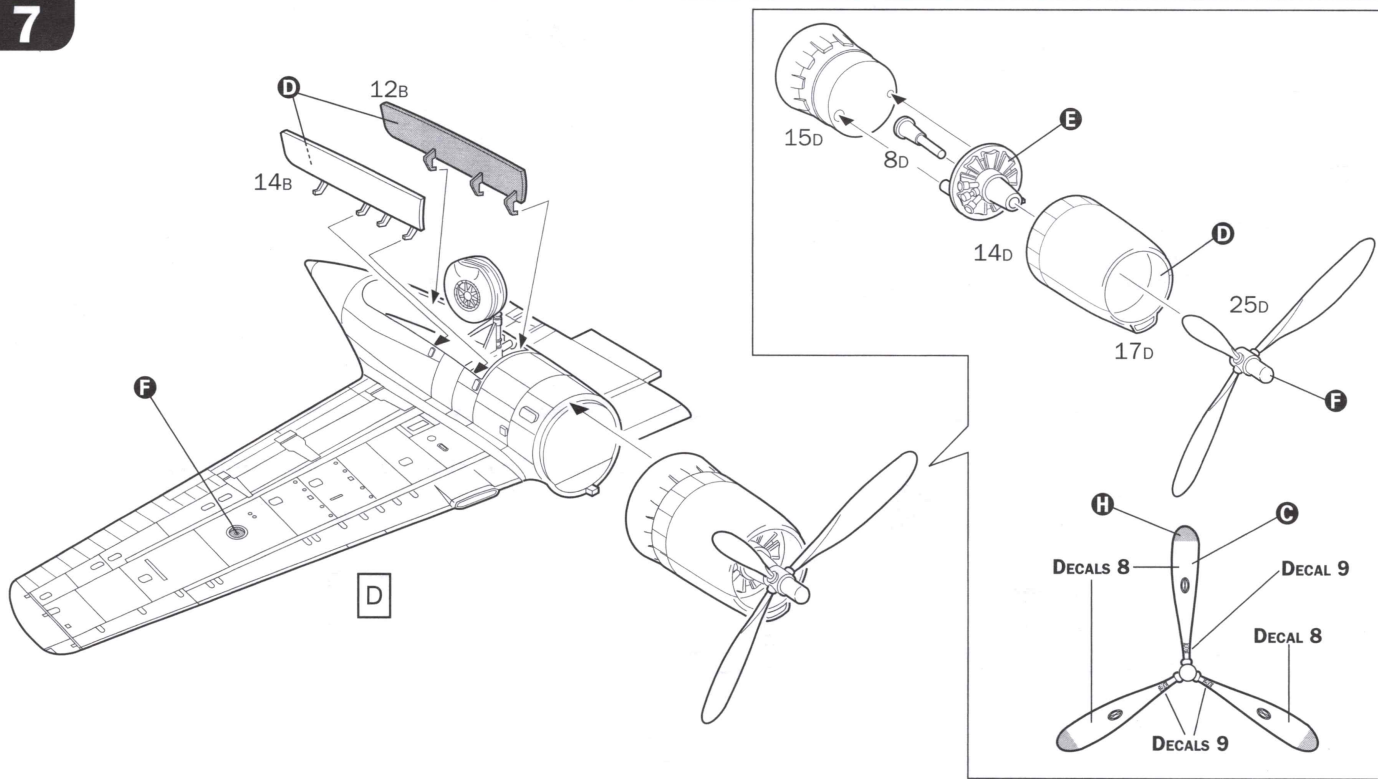


2B

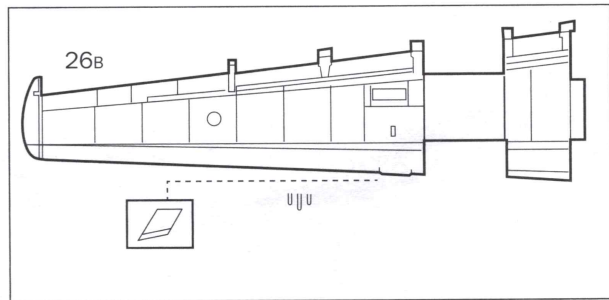
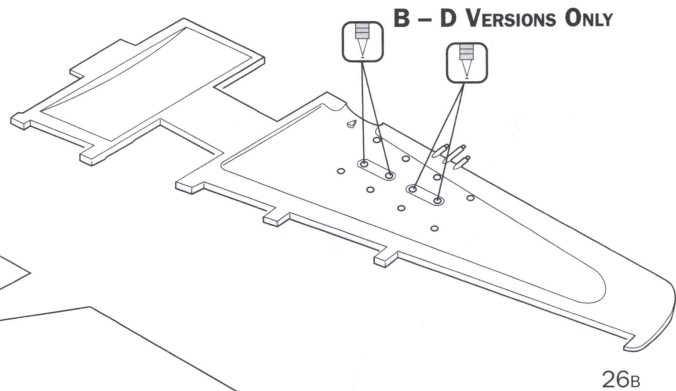
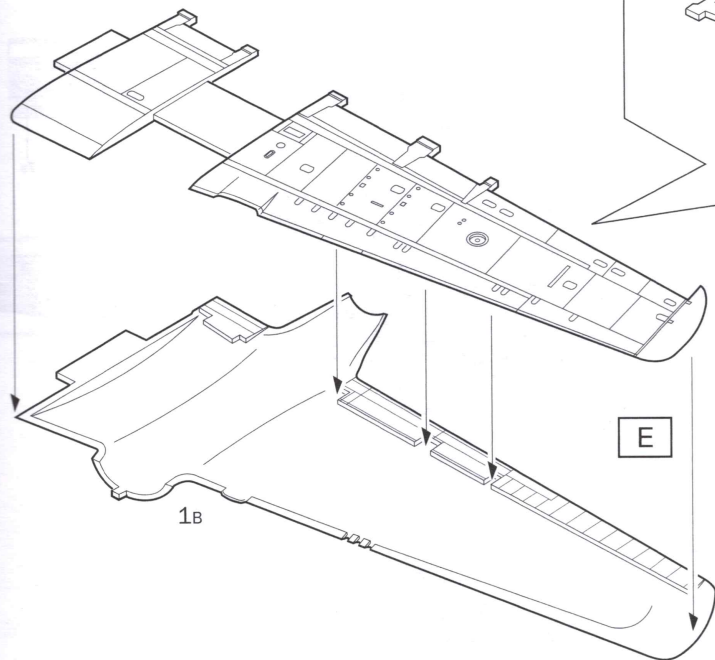
6



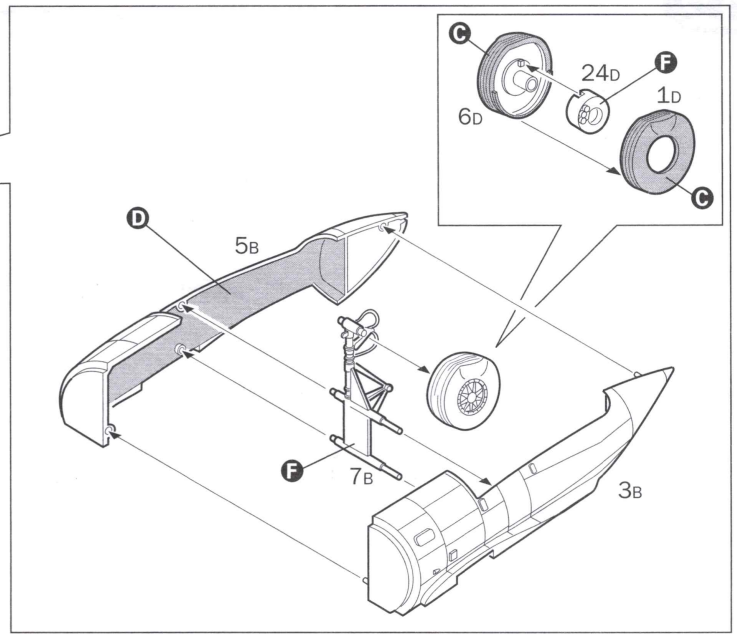
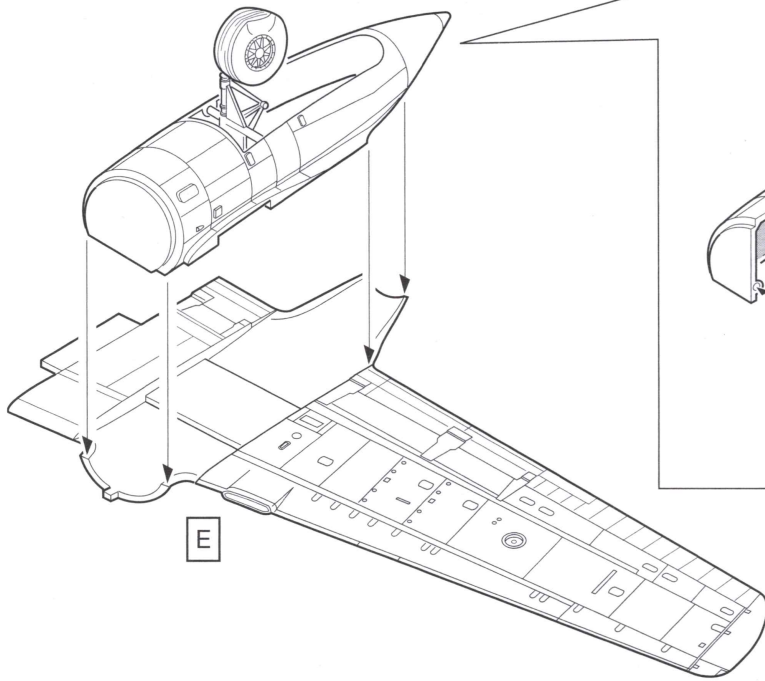
7



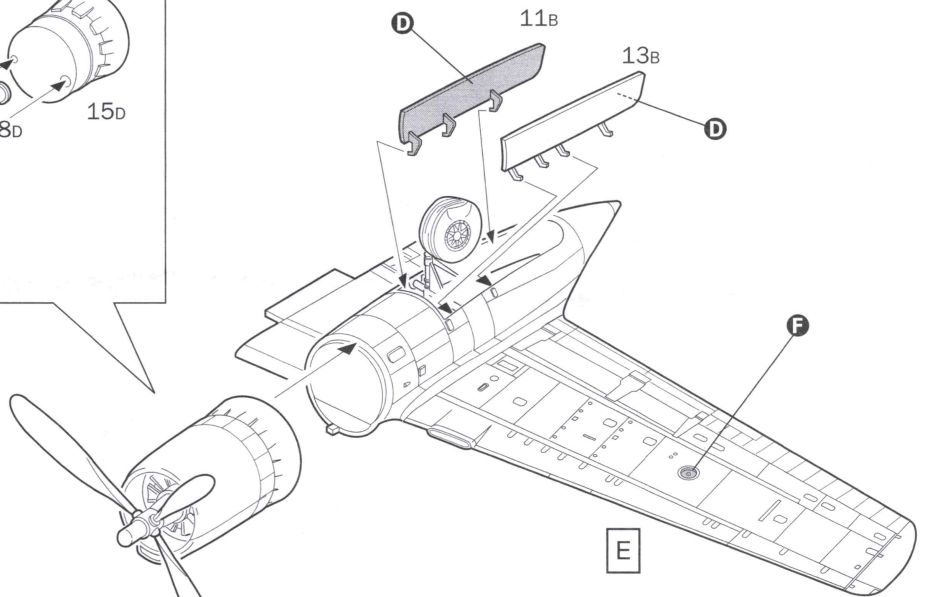
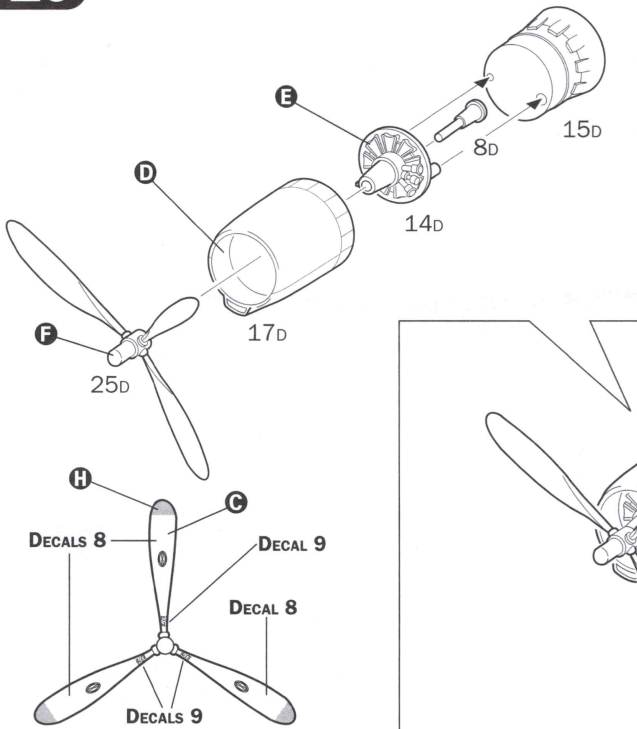
8

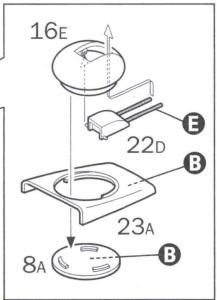
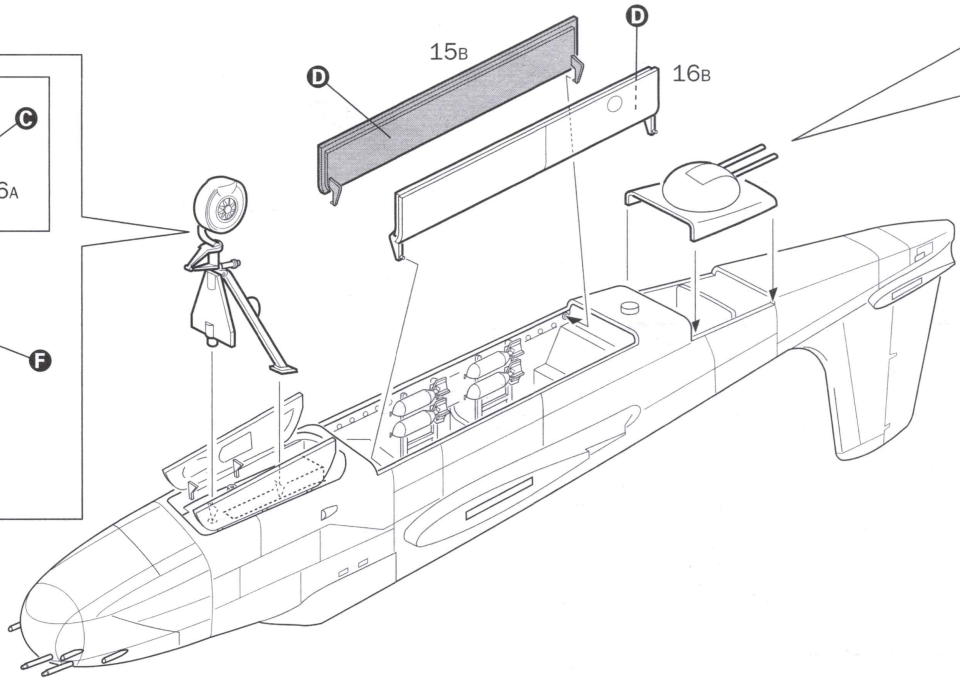
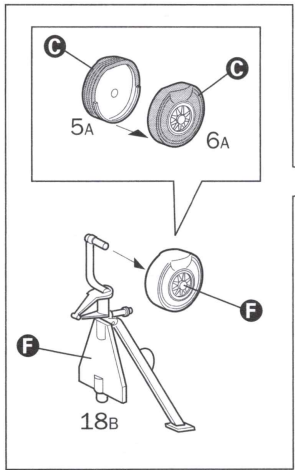


9

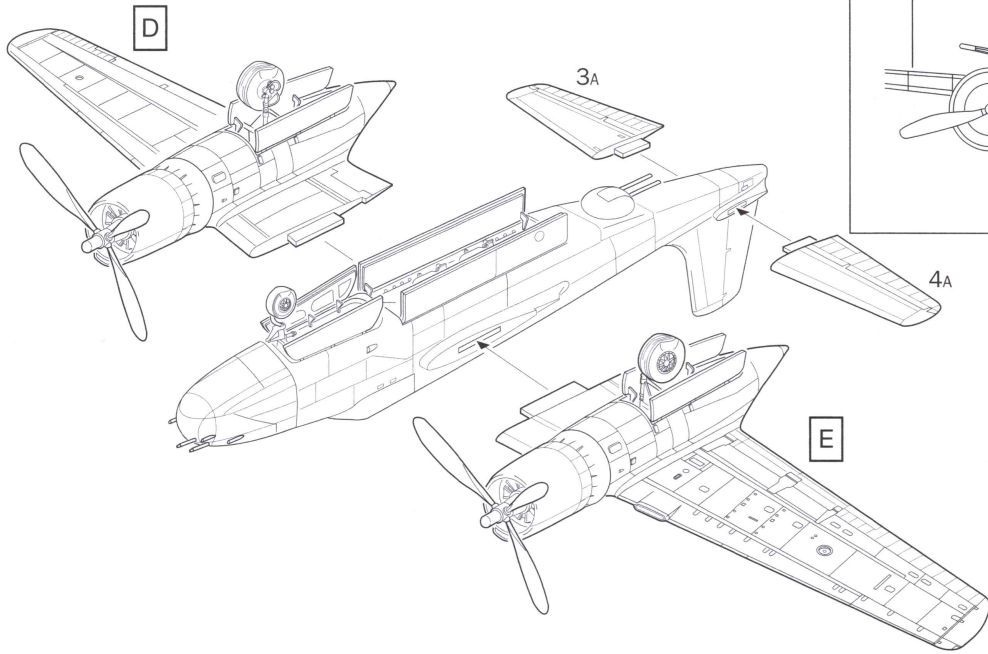


10

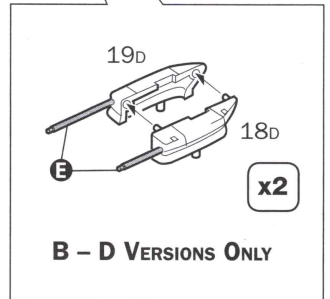
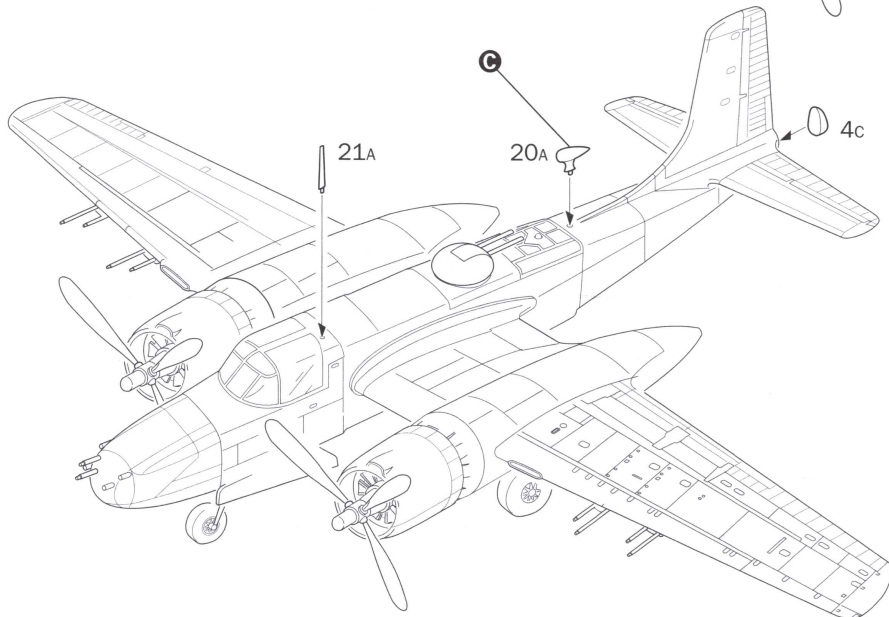
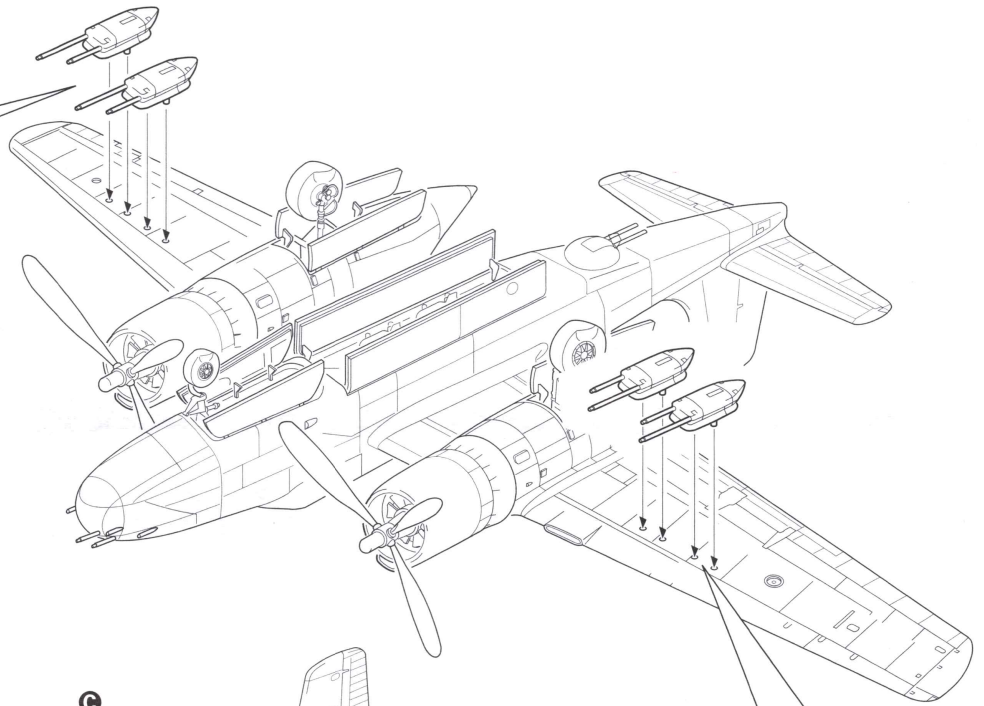
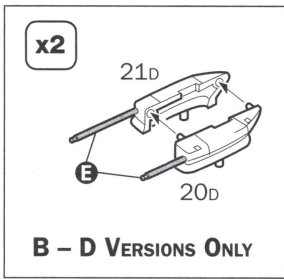




12

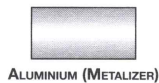
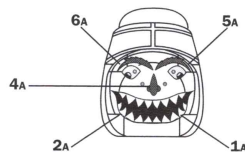
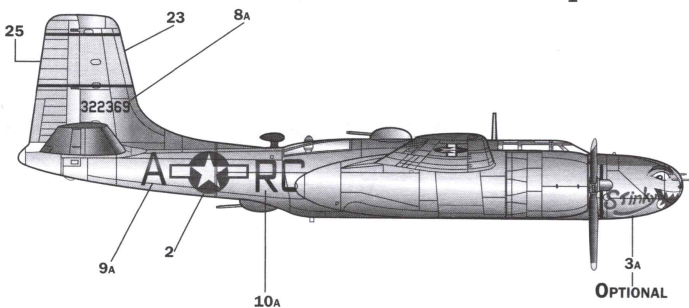
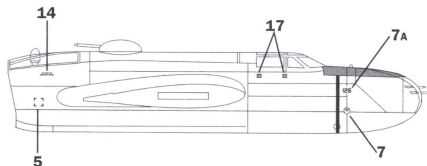
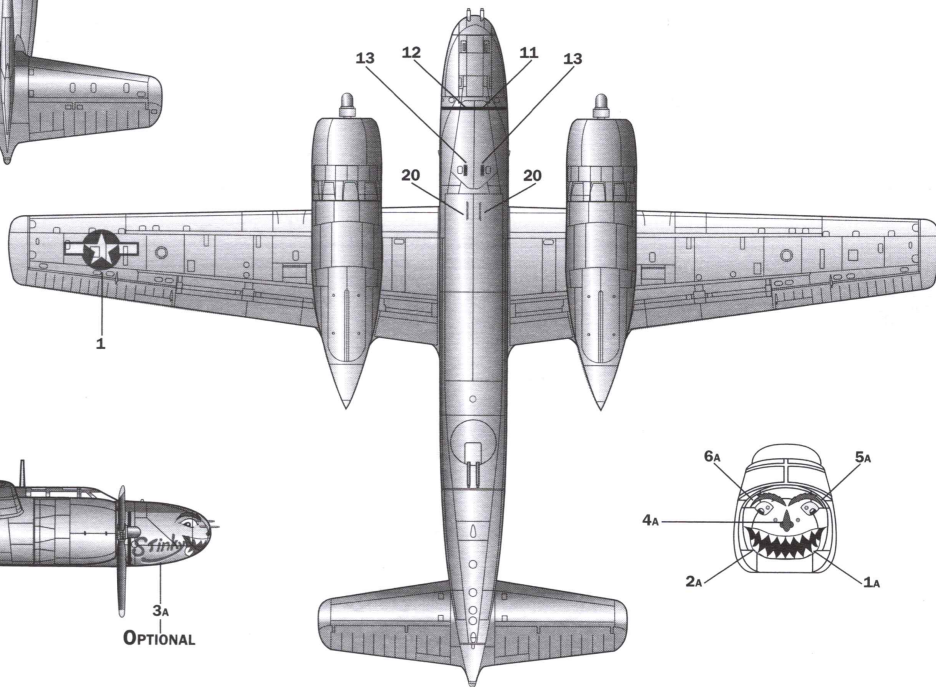
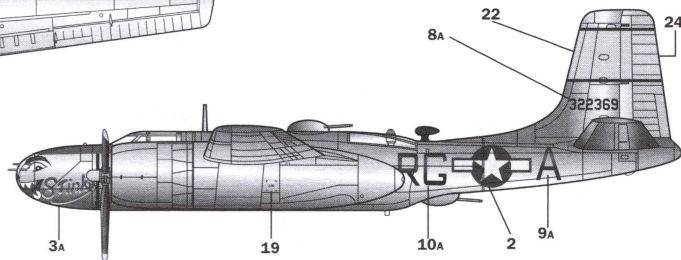
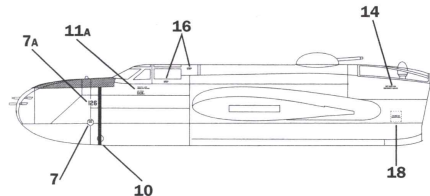
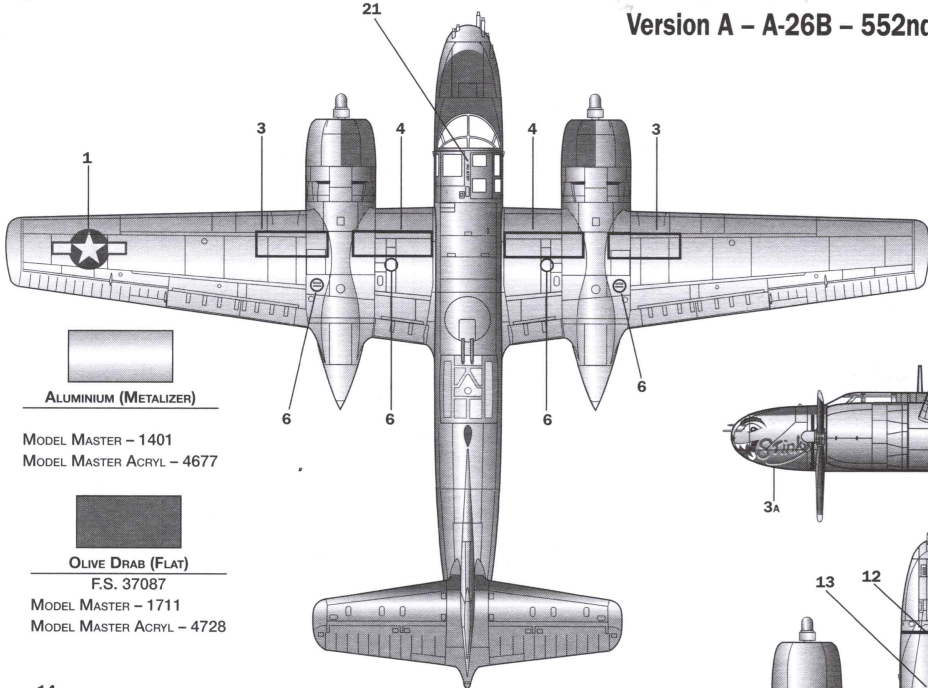


13



For a perfect application of the decals, we suggest using Model Master products 2145 or 2146.
 Per una perfetta applicazione delle decals, si consiglia l'uso dei prodotti Model Master 2145 oppure 2146.
 Für eine perfekte anbringung der decals wird die verwendung von Model Master no. 2145 oder 2146 empfohlen.
 Pour une pose parfaite des decals, nous vous recommandons l'utilisation des produits à decals Model Master réf. 2145 ou 2146.
 Voor het perfect aanbrengen van transfers, adviseren wij gebruik te maken van de Model Master producten 2145 of 2146.
 Para facilitar la colocacion de las calcas y conseguir un resultado perfecto, sugerimos el uso de los productos 2145 o 2146 de Model Master.

Version A - A-26B - 552nd BS, 386th BG, Beaumont, France 1944.

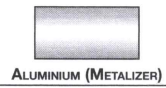
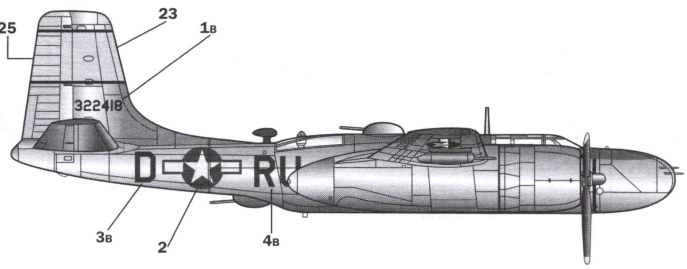
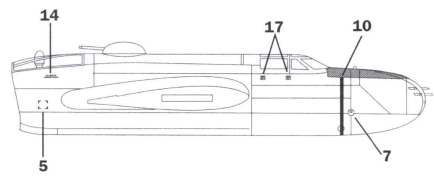
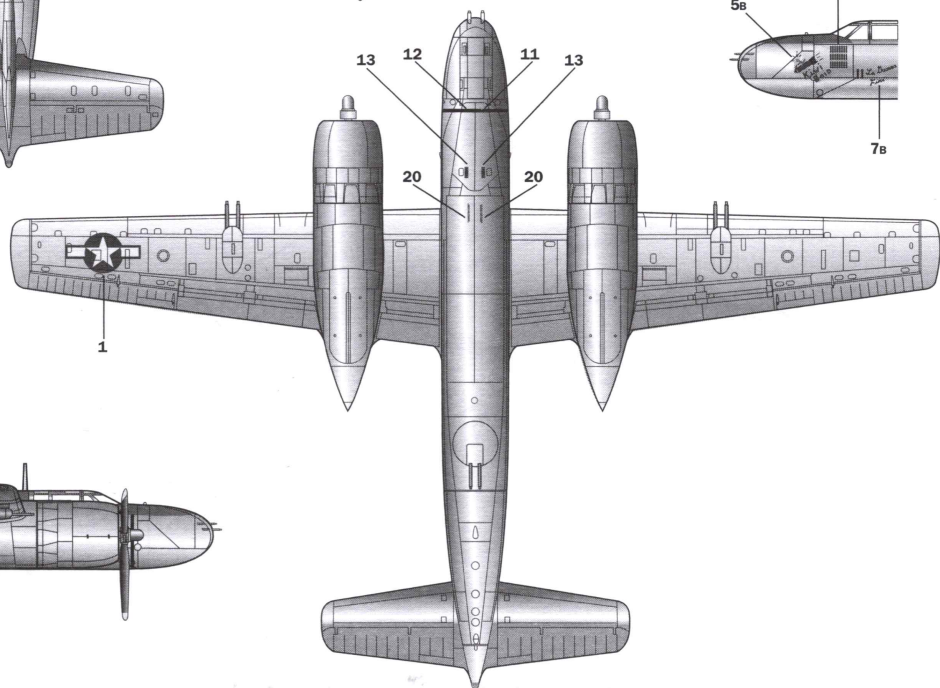
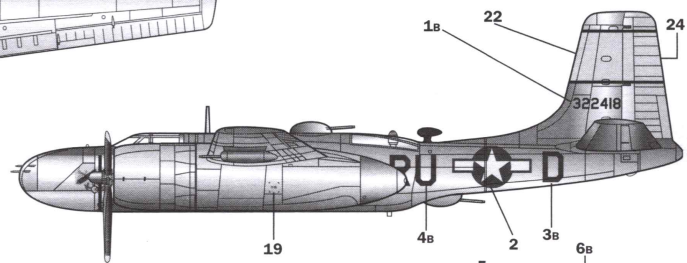
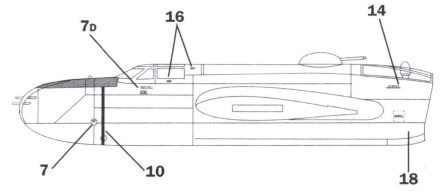
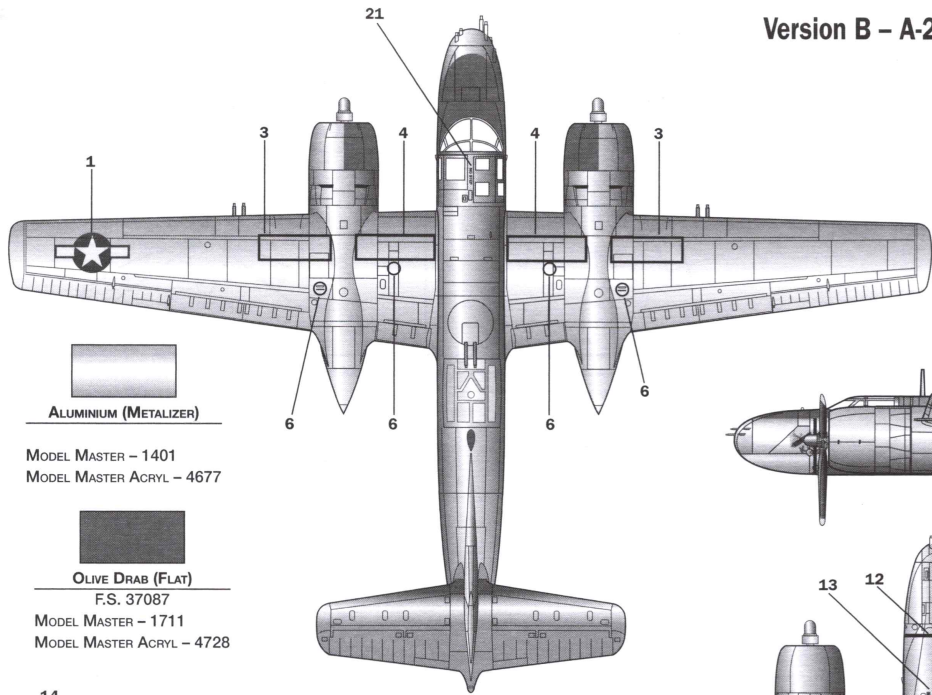


MODEL MASTER - 1401
MODEL MASTER ACRYL - 4677

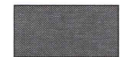


MODEL MASTER - 1711
MODEL MASTER ACRYL - 4728

Version B - A-26B - 554th BS, 386th BG, France 1945.

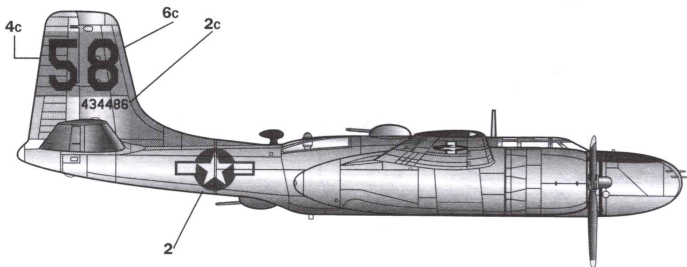
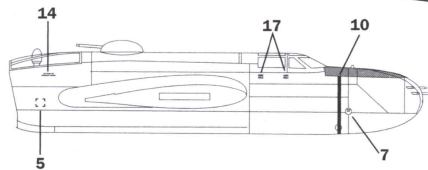
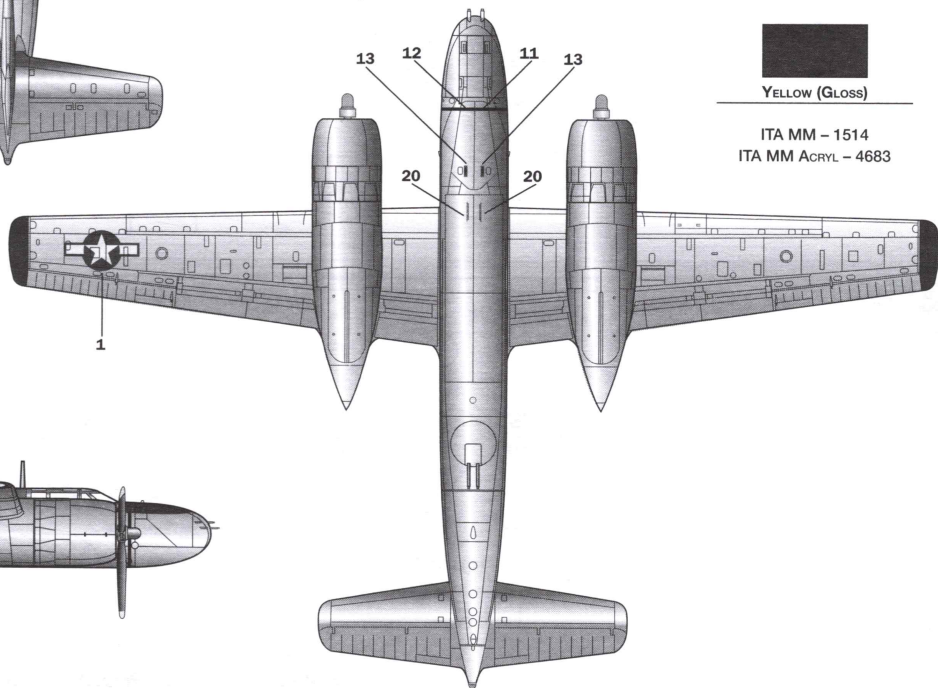
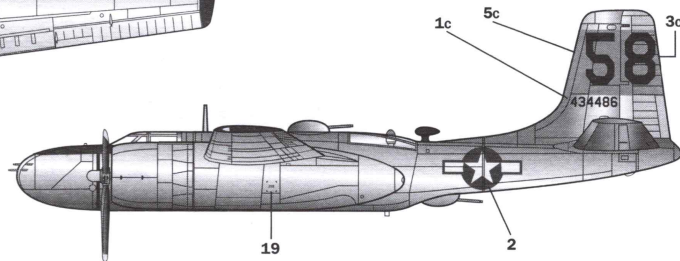
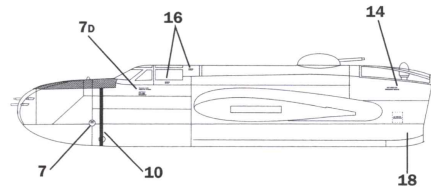
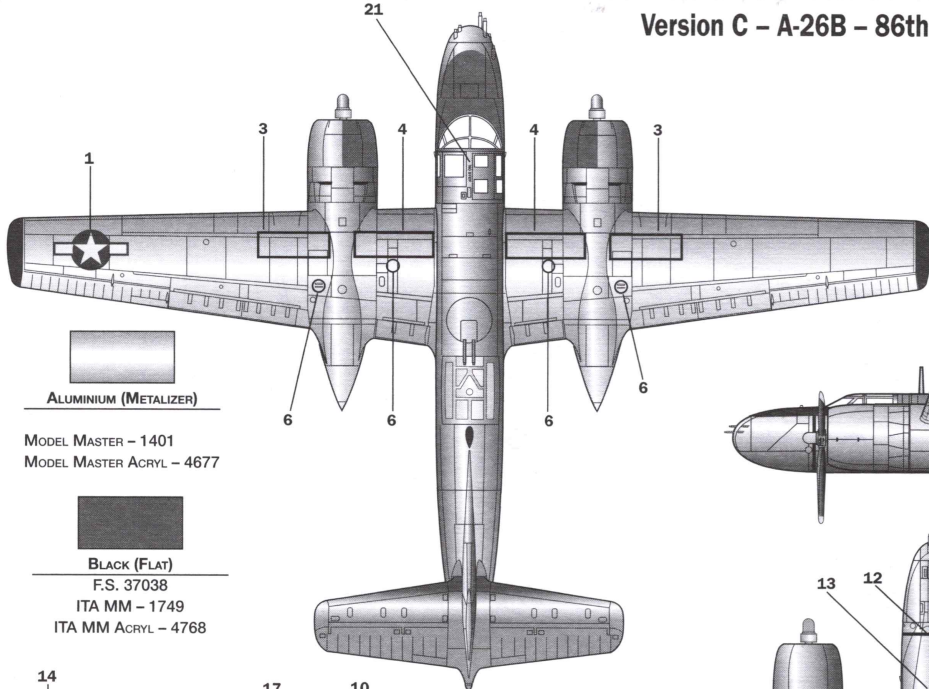


MODEL MASTER - 1401
MODEL MASTER ACRYL - 4677



MODEL MASTER - 1711
MODEL MASTER ACRYL - 4728

Version C - A-26B - 86th BS, 47th BG, 12th Air Force, Italy 1945.



ALUMINIUM (METALIZER)

MODEL MASTER - 1401
MODEL MASTER ACRYL - 4677

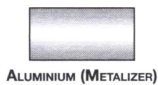
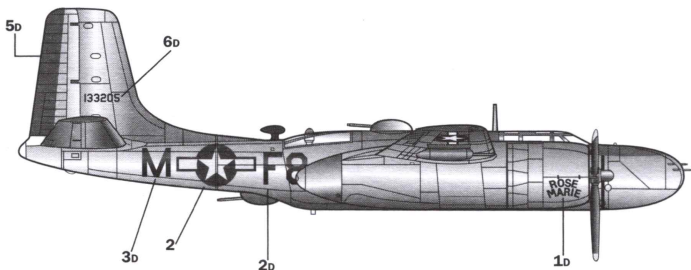
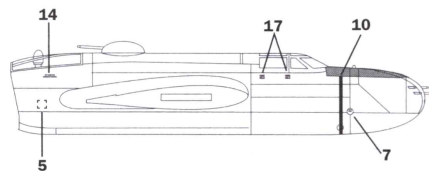
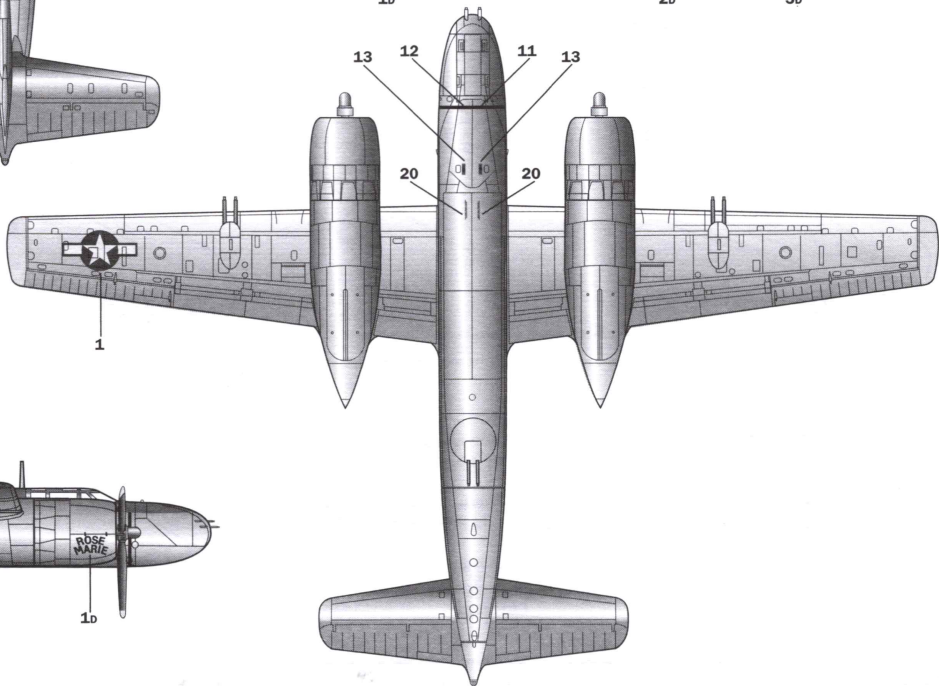
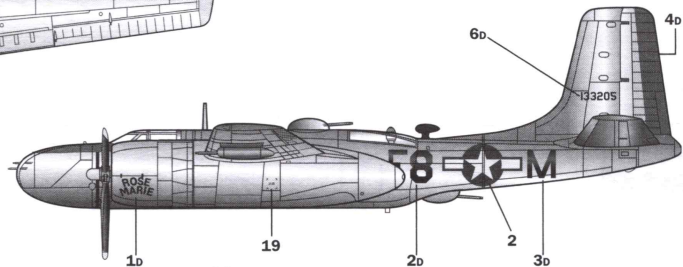
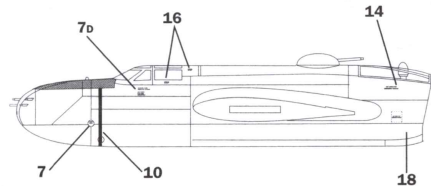
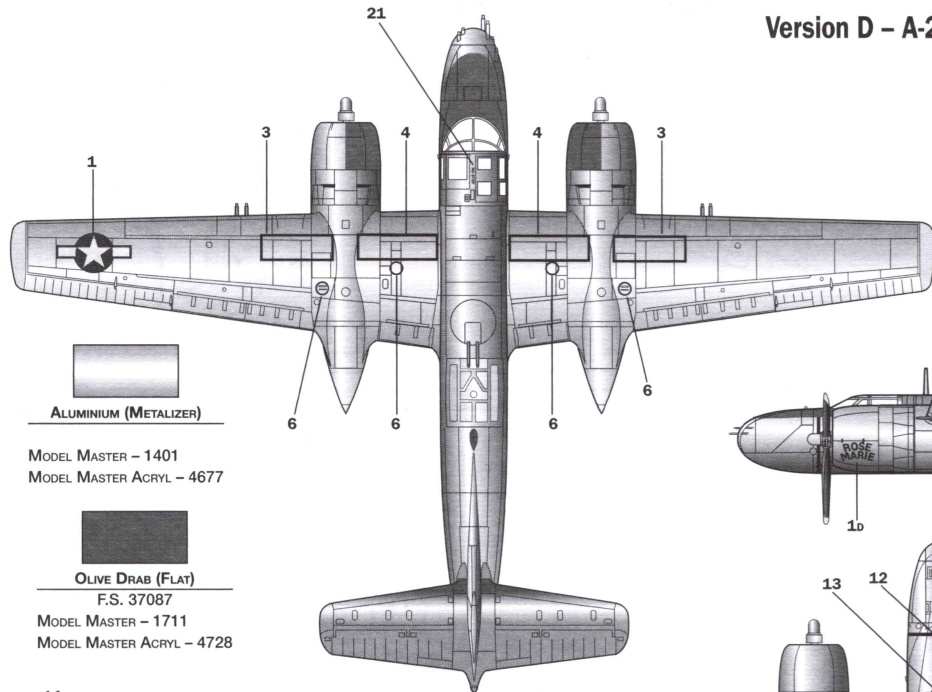
BLACK (FLAT)

F.S. 37038
ITA MM - 1749
ITA MM ACRYL - 4768

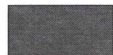
YELLOW (GLOSS)

ITA MM - 1514
ITA MM ACRYL - 4683

Version D - A-26B - 670th BS, 416th BG, France 1945.



MODEL MASTER - 1401
MODEL MASTER ACRYL - 4677



MODEL MASTER - 1711
MODEL MASTER ACRYL - 4728

