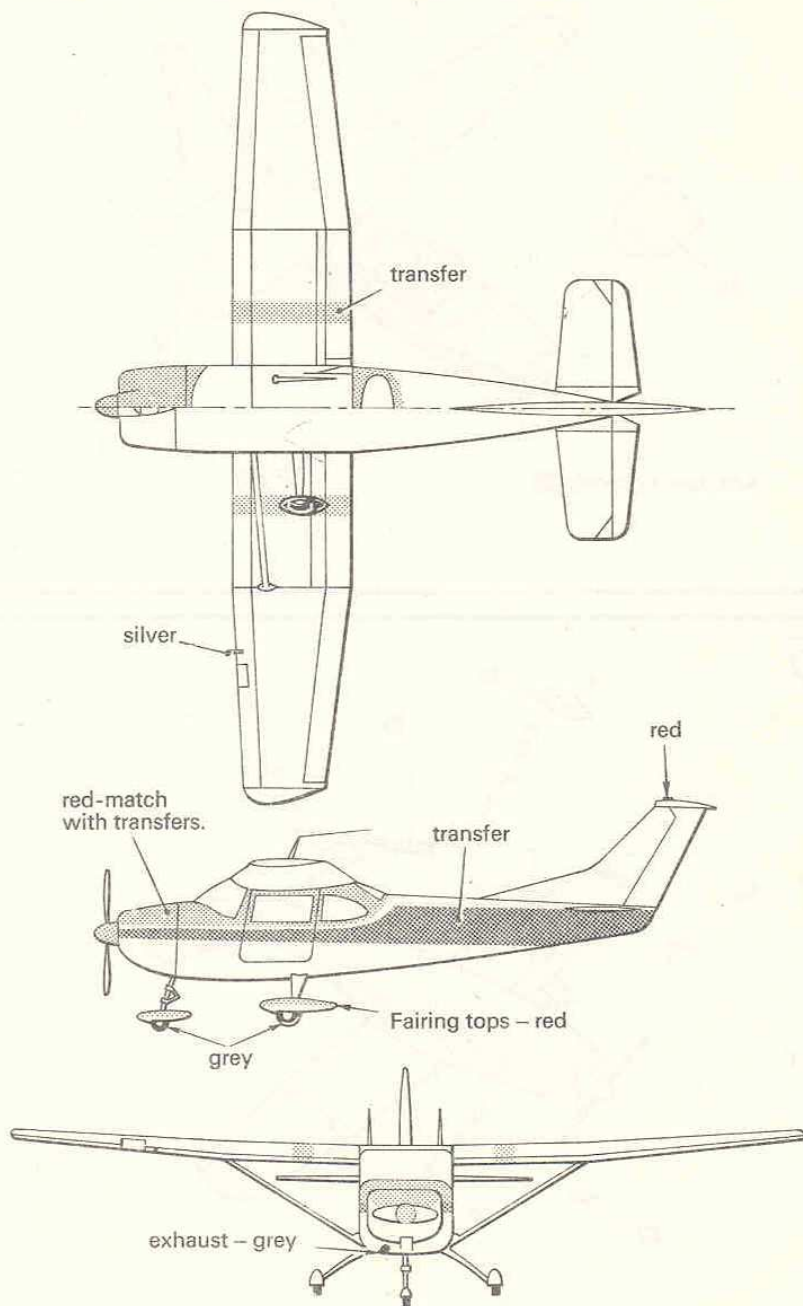


Colour scheme



CESSNA 172 Skyhawk

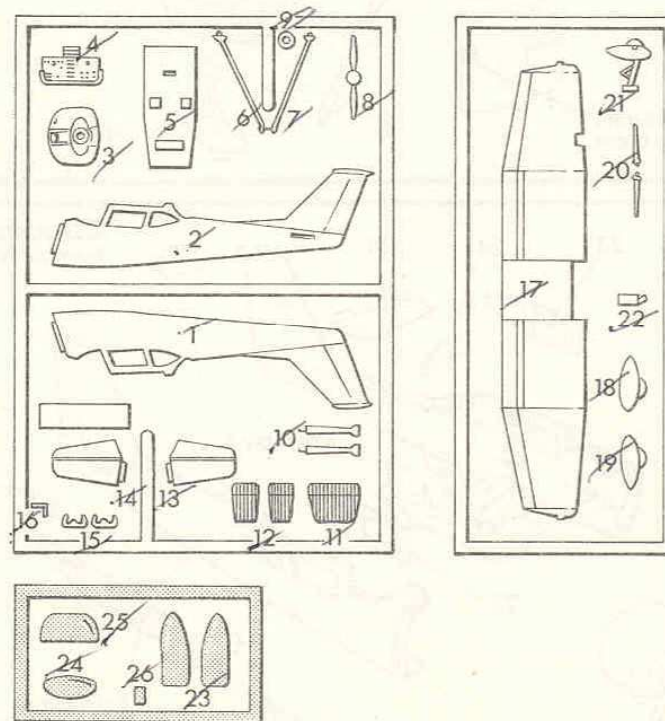
AIR 72 SERIES 100

Technical data

Since the above Cessna Model 172 was introduced in 1955 as a light 4-passenger aircraft (formerly Model 170) it has been remodelled every year. The plane has now become a perfect standard type light aircraft, spreading the name of The Cessna Corporation throughout the world. The former Model 170 was of the tail wheel type, but the present Model 172 has been changed and fitted with a nose wheel. Cessna took the initiative with this type of aircraft, redesigned the tailplane and increased the stability, producing a model with smart appearance in keeping with modern light aircraft design. Up to the present, nearly 20,000 planes have been sold and production is actively being continued. Besides the standard model there are several other models including the De luxe Model Skyhawk.

Overall width	11.0m	Maximum speed	244km h
Overall length	8.2m	Cruising speed	211km h (2745m @ 75%sp)
Overall height	2.7m	Stall speed	79km h
Wing area	16.2m ²	Rate of climb	200m min
Engine, Continental		Practical climb limit	4000m
0-320E2D Air cooled	150hp	Range	990km
Net weight	565kg	Take off distance	382m
Gross weight	1,043kg	Landing distance	381m
Number of seats	4		

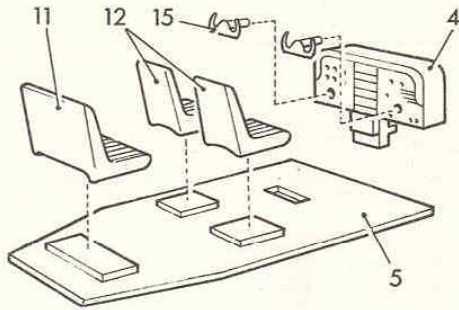
Layout of parts



General instructions

1. Only remove those items from tree required for particular operation.
2. After removal clean and free item of flash.
3. Use glue sparingly.
4. Cut out transfers individually before immersing in warm water.

1

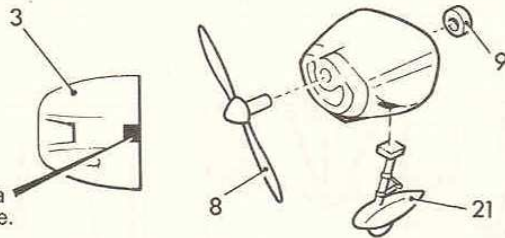


Note

If cabin interior is to be painted, the cabin floor assembly and the inside of fuselage halves should be painted at this stage.

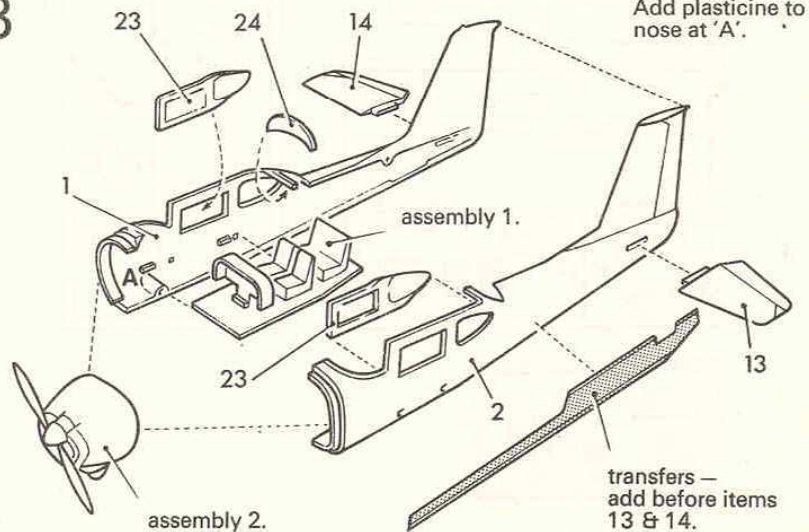
Interior Scheme.	
Control wheels	- Grey
Panel	- Grey
Dials	- Silver
Seats	- Red or Light Brown
Floor	- Blue or Dark Brown
Fuselage halves	- Blue

2



remove this area with sharp blade.

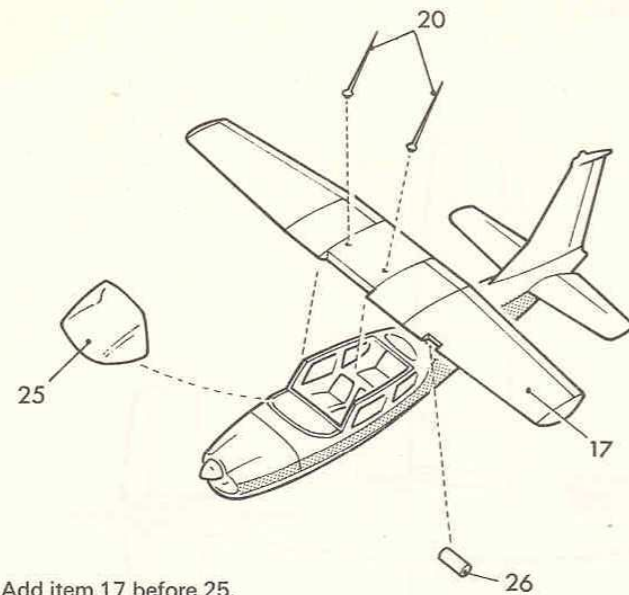
3



Add plasticine to nose at 'A'.

transfers —
add before items
13 & 14.

4



Add item 17 before 25.

5

