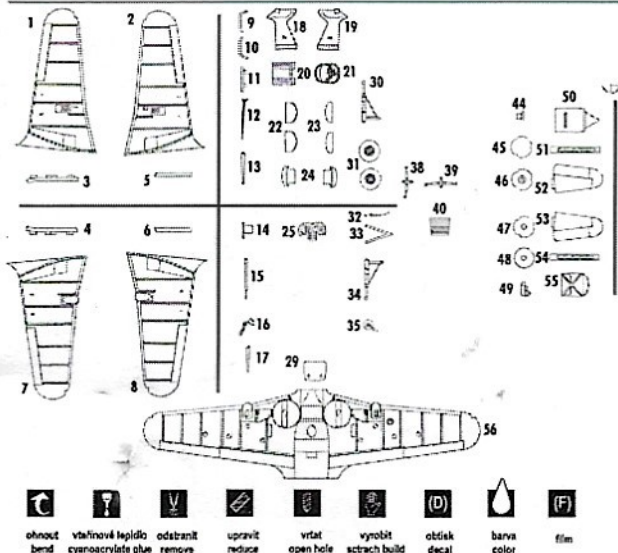




MÖRKO MORANE

1/72
SCALE

The Morane-Saulnier Mörkö was the designation given to M.S.406s and M.S.410s in Finnish service after they had been given the Klimov M-105P engine. A large number of Klimov M-105P engines had fallen into their hands, and this engine was installed in an M.S.406, matching it with the VISH-61P propeller. The M-105P was a 1,100hp development of the Hispano-Suiza 12Y engine used in the M.S.406 and was thus the same size as the engine it was replacing but the extra power significantly improved the performance of the M.S.406. The first aircraft to be converted made its maiden flight on 4 February 1943. As well as the new engine it had the oil cooler of the Bf 109G and a 20mm MG 151 cannon in the engine. After successful trials the Finns decided to bring all of their M.S.406s and 410s up to the new standard, but only two more aircraft had been completed before the Finns agreed an armistice with the Soviets. The conversion programme continued and eventually 41 Mörkös were produced. Some were armed with the 20mm MG 151 cannon and others with captured Soviet 12.7 mm machine guns.

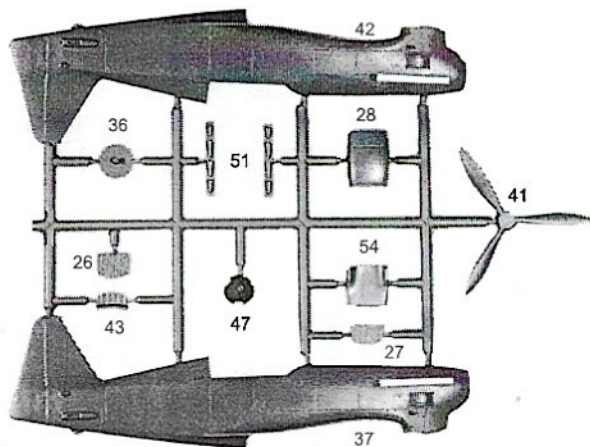


CLEAR PARTS (CP)

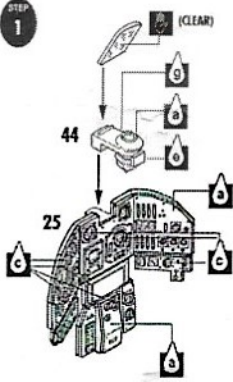


COLORS

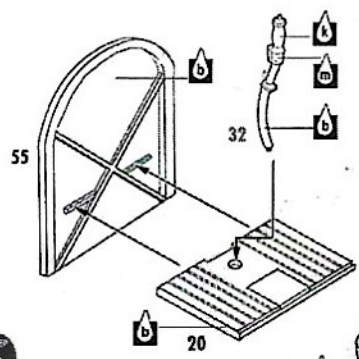
a Černá Black	h Červená Red
b Šedo-modrá Grey-Blue	i Bílá White
c Stříbrná Silver	j Žlutá Yellow
d Písková Linen	k Procentový Fyres Black
e Kůže Leather	l Růžová Rust
f Hliníková Aluminium	m Tmavě šedá Dark Grey
g Chromová Chrome	n Kovová Gun metal



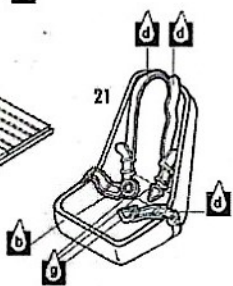
STEP 1



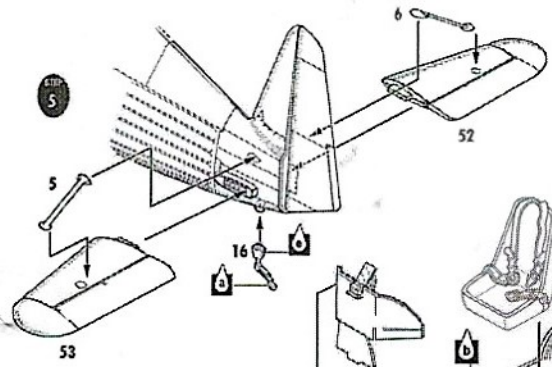
STEP 2



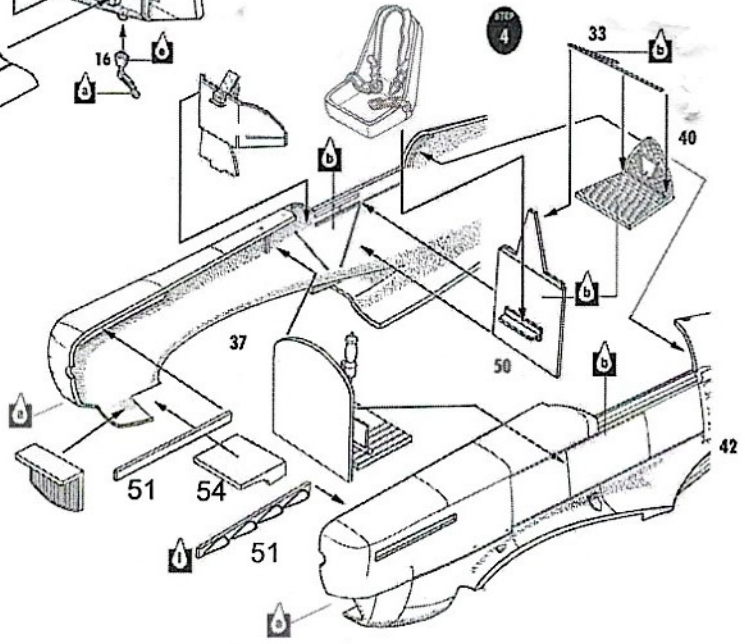
STEP 3



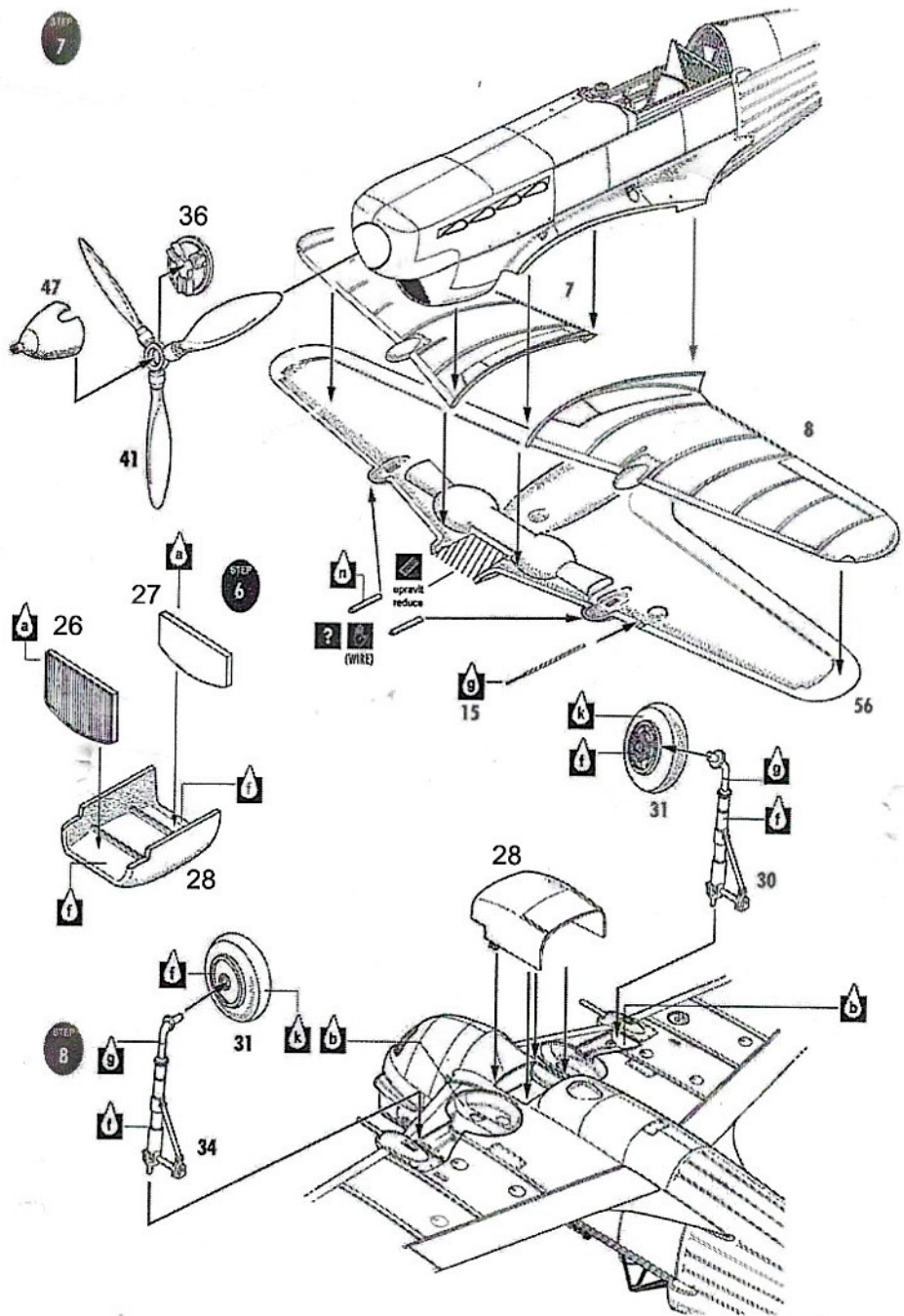
STEP 5



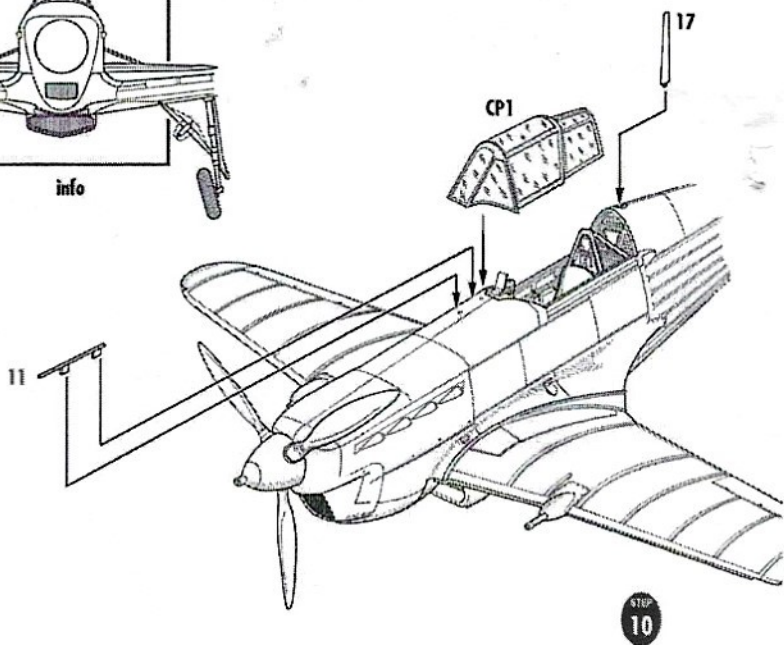
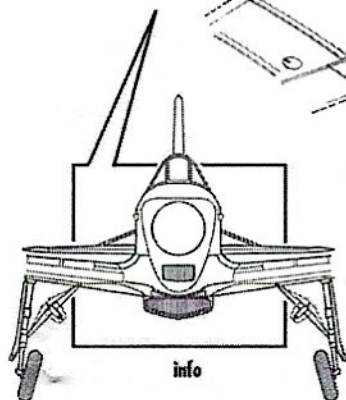
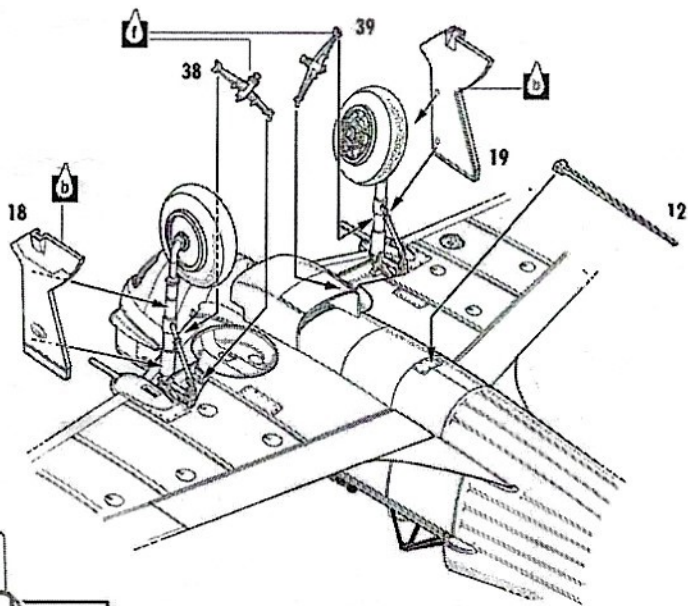
STEP 4



STEP 7

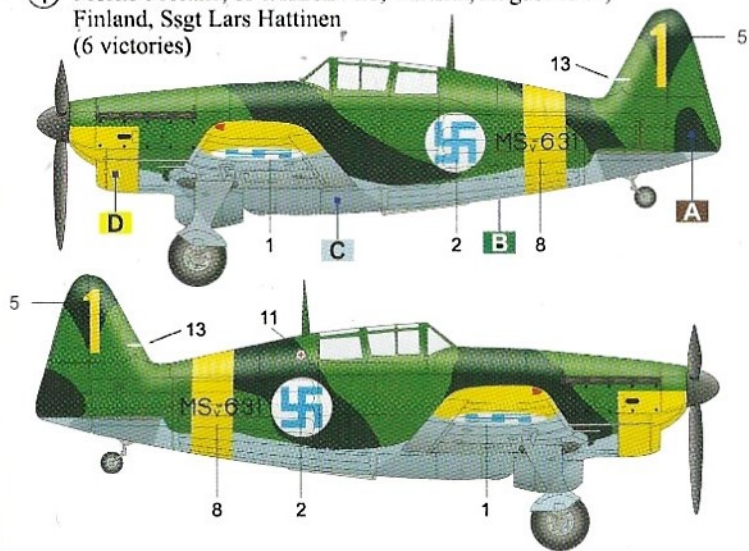


STEP
9

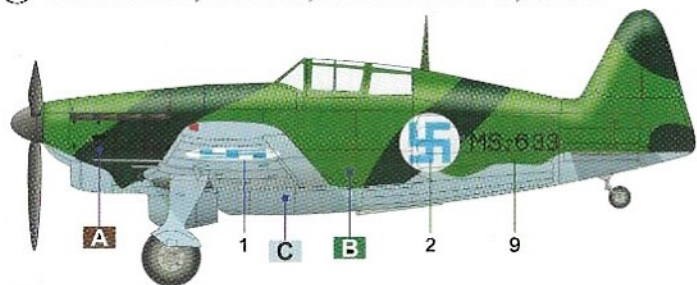


STEP
10

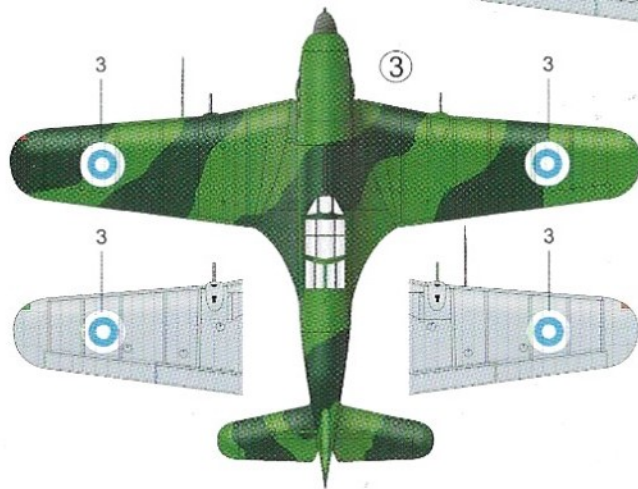
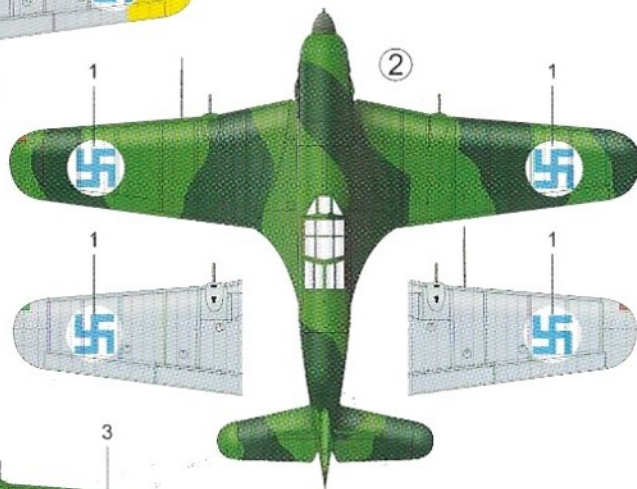
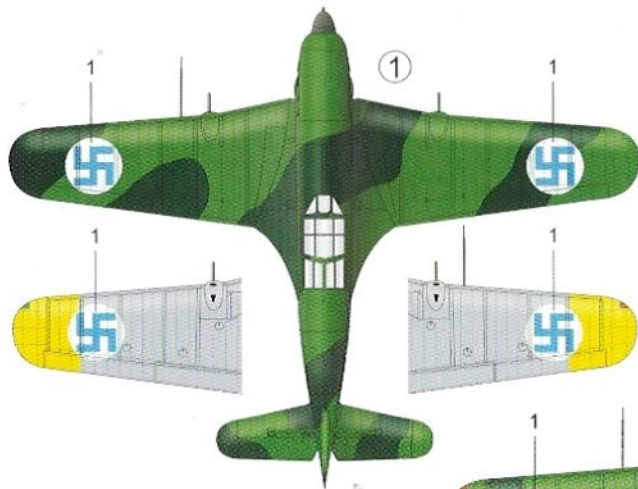
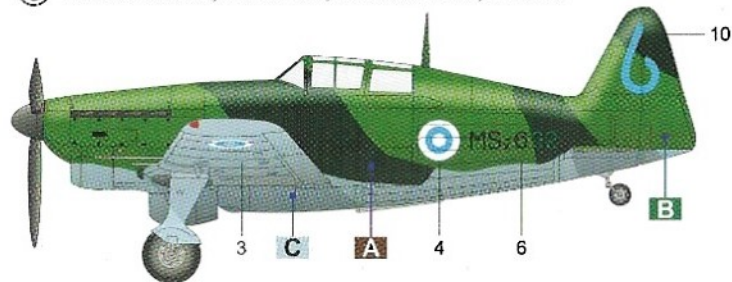
① Mörkö Morane, of 1/HLeLv 28, Värtsilä, August 1944, Finland, Ssgt Lars Hattinen (6 victories)



② Mörkö Morane, HLeLv 21, Rissala March 1945, Finland



③ Mörkö Morane, HLeLv 21, Kesäkuu 1946, Finland



- A** Tmavě zelená
Dark green
- B** Černo zelená
Black green
- C** Světle modrošedá
Light Blue-Grey
- D** Žlutá
Yellow

RS
MODELS

U Iomu 7
795 01 Rýmařov
rsmodels@rsmodels.cz
www.rsmodels.cz
Czech Republic