

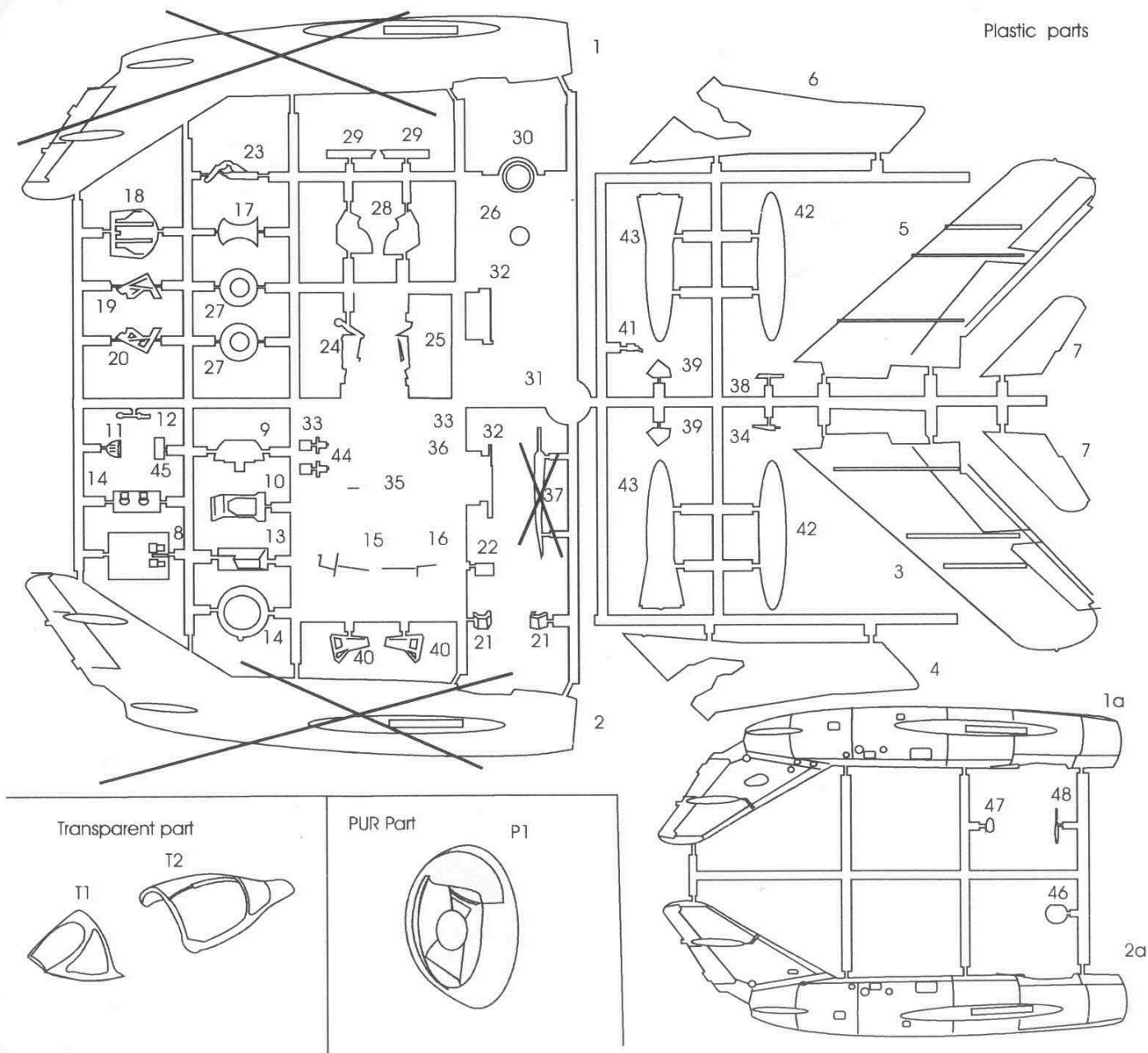
MIG 17 PF

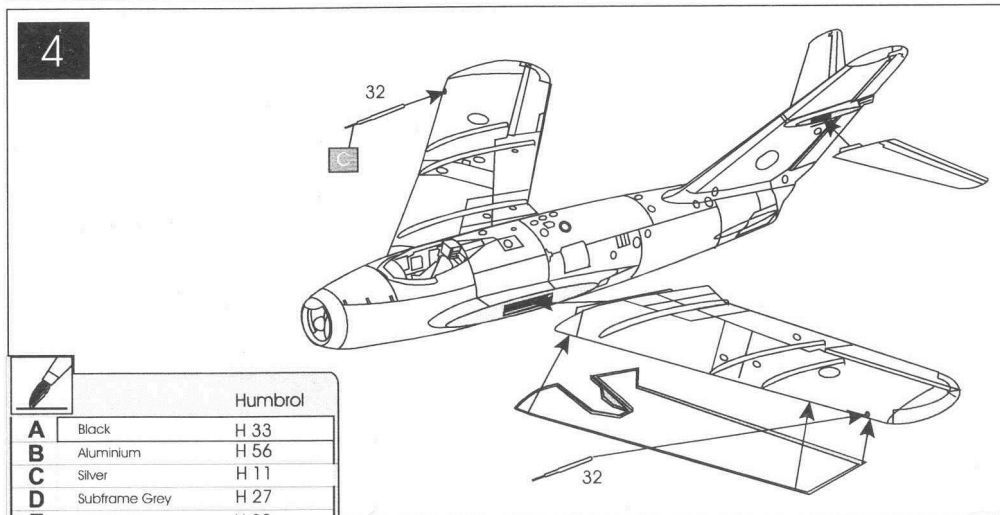
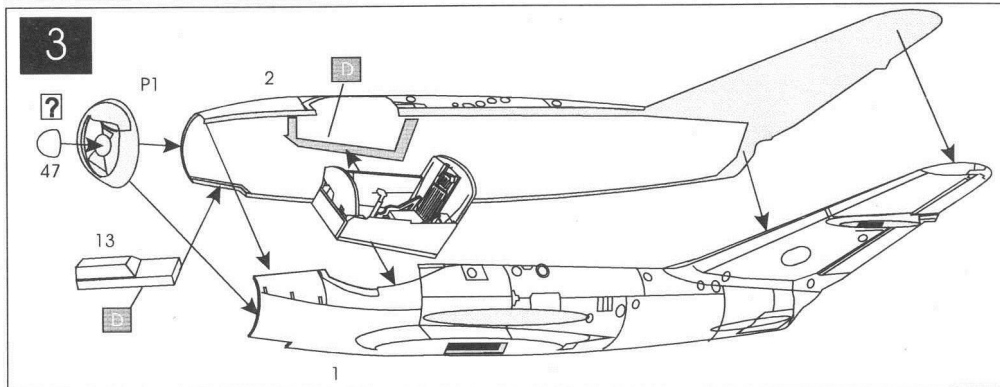
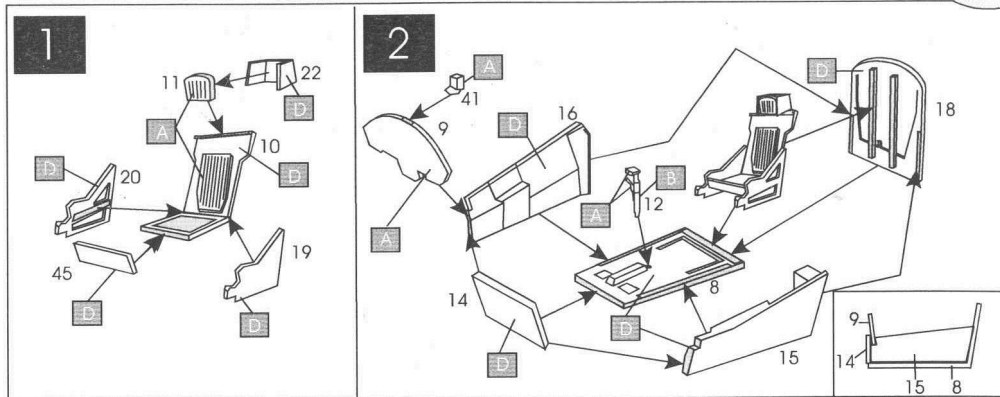
Plastic model

scale :1/72

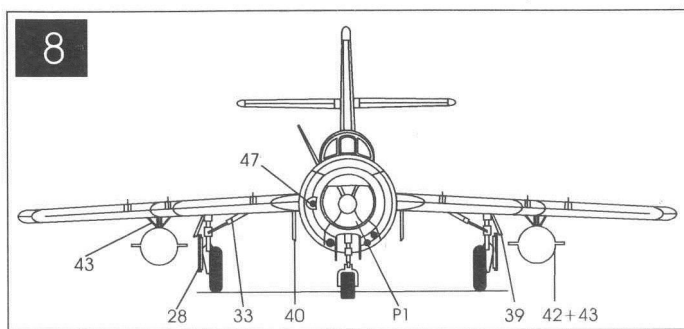
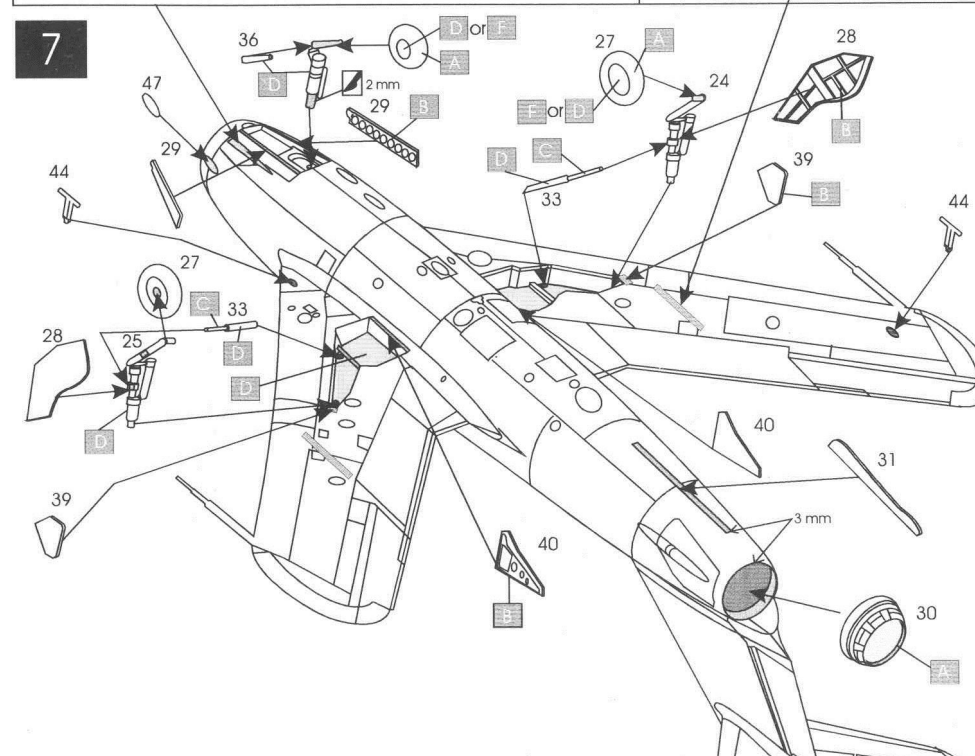
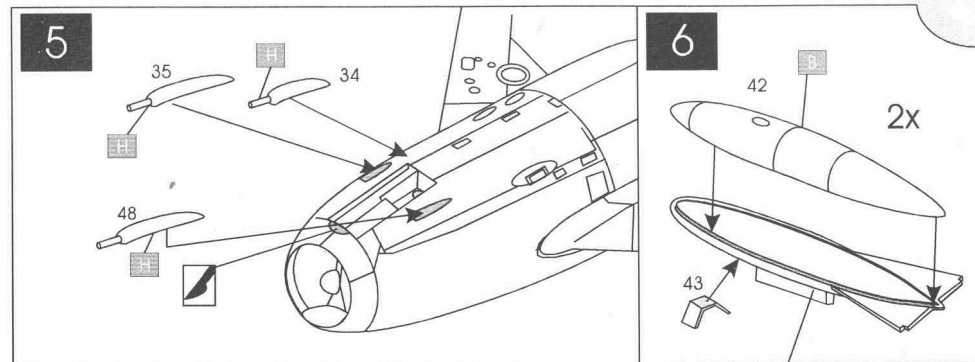
MiG-17PF (*Fresco-D*)

This all-weather fighter version equipped with Izumrud radar and VK-1F engine. Versions equipped with radar Izumrud (MiG-17P and MiG-17PF) bore gun instead of the third N-37 NR-23 cannon with an increased number of 100 rounds per gun. Licenced build in Poland(Lim-5P) and China(J5A/F-5A).





Humbrol		
A	Black	H 33
B	Aluminium	H 56
C	Silver	H 11
D	Subframe Grey	H 27
E	Dark Brown	H 29
F	Green	H 88
G	Gunmetal	
H		



9

Transparent part

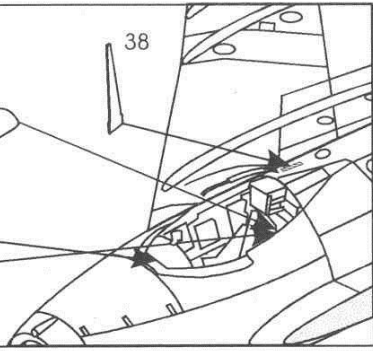
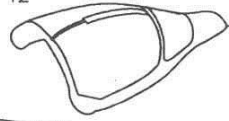
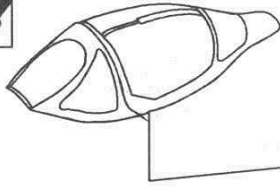


?

T1

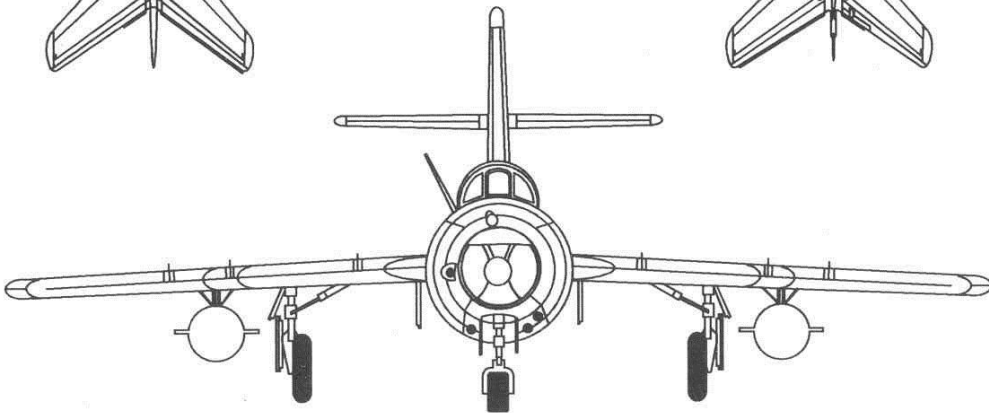
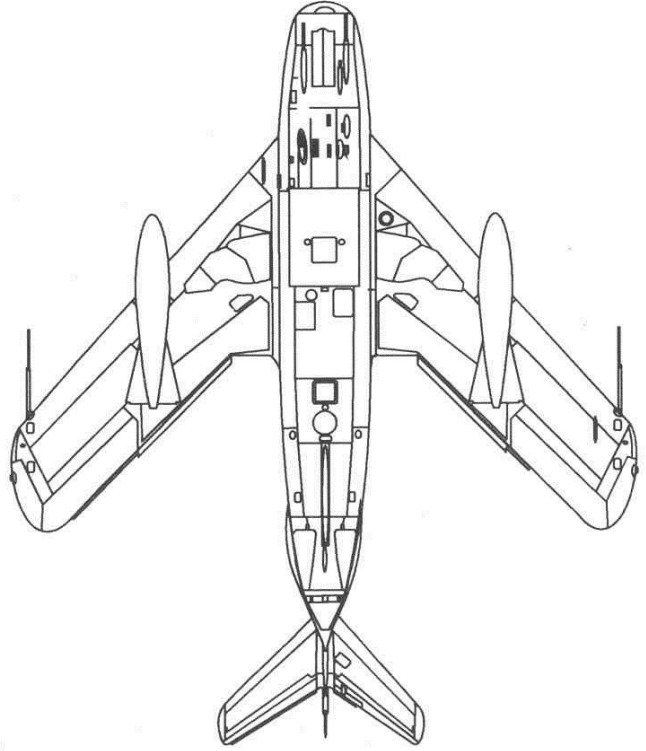
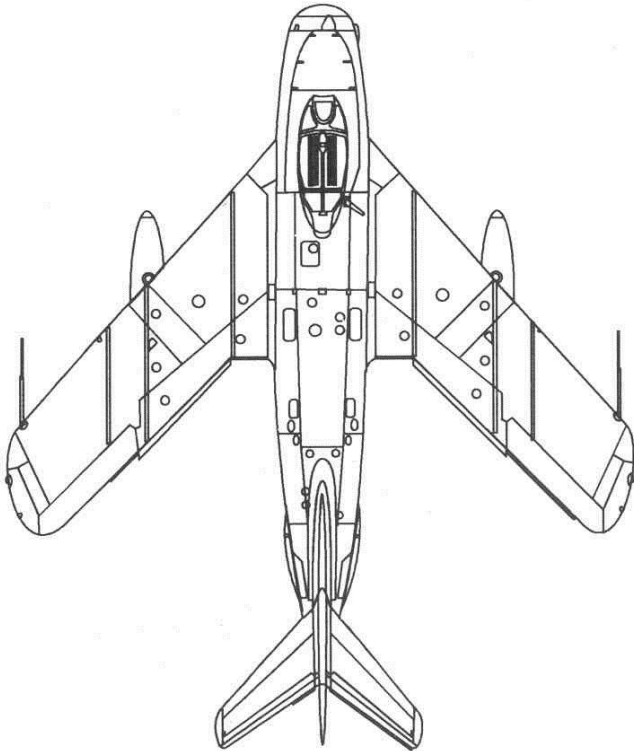
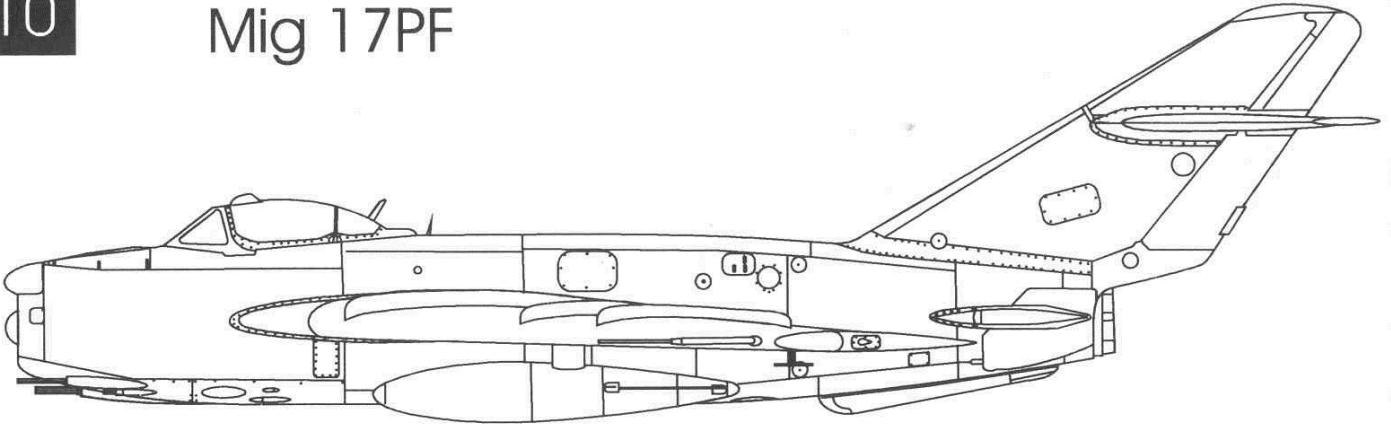
T2

38



10

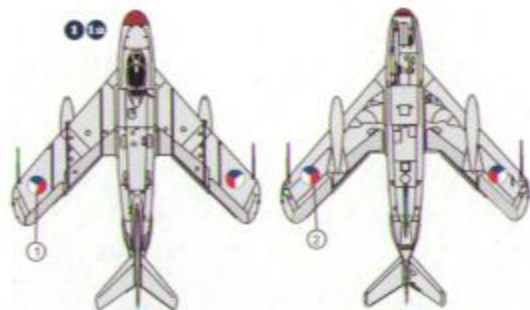
Mig 17PF



1 Mig 17 PF Fresco-D, 1015, Czechoslovak Air Force



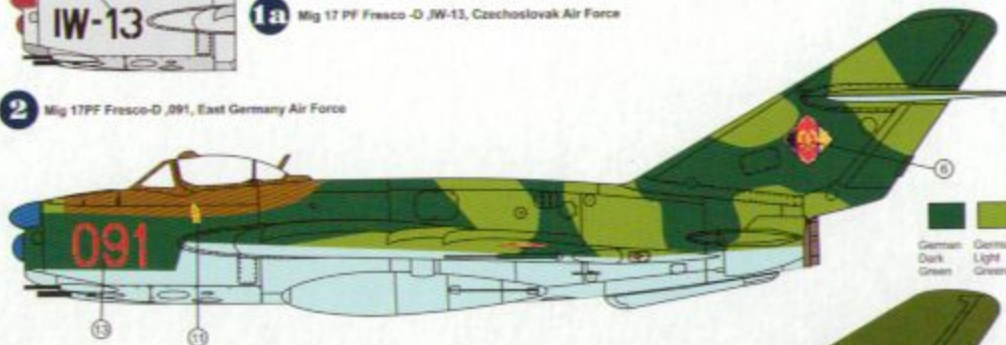
Marking & Painting
マーキング及び塗装図



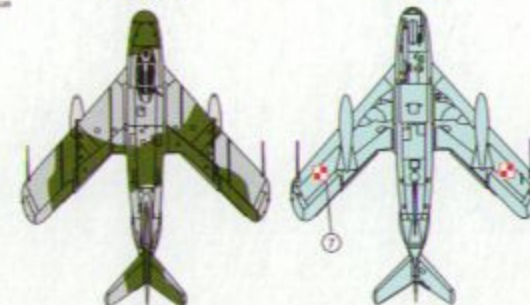
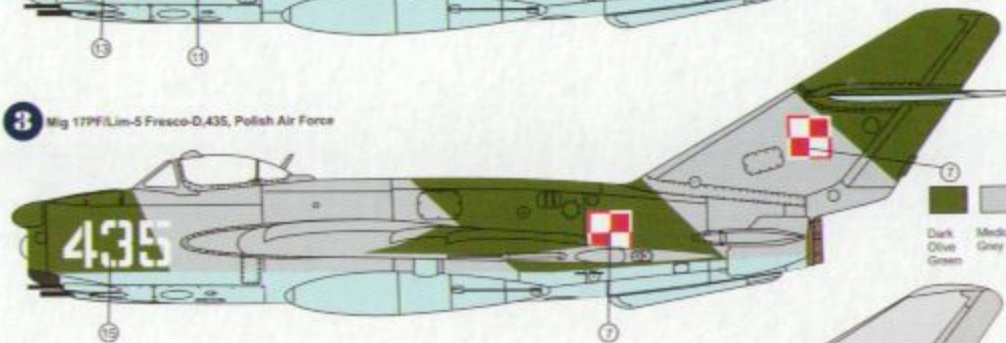
1a Mig 17 PF Fresco-D JW-13, Czechoslovak Air Force



2 Mig 17PF Fresco-D, 091, East Germany Air Force



3 Mig 17PF(Lim-5) Fresco-D.435, Polish Air Force



4 Mig 17 PF Fresco-D, 405, Hungary Air Force

