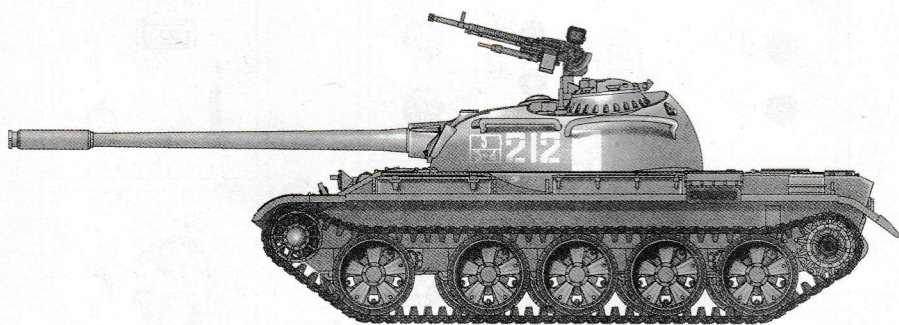


1:72 SCALE

ITEM NO.:07281

USSR T-54B TANK

苏联 T-54B 坦克



READ BEFORE ASSEMBLY:

装配之前仔细阅读

- This kit is not recommended for inexperienced modelers or for children under 14 years of age
- Study and understand these instructions thoroughly before beginning assembly
- When needed, remove photo-etch parts carefully using a modeling knife or photo etch sprue cutter, being careful not to damage or lose small parts.
- Take extra care in handling photo etch parts in order to avoid injury
- Apply instant cement sparingly to photo etch parts where instructed
- Tools recommended(not included in kit):Plastic and instant cements,sprue cutters,long nose pliers,modeling knife, small files, tweezers, pin vise & scissors. Soft cloth and sandpaper will also assist in construction
- Glue and paint are not included in the kit. Use plastic cement and hobby paints only. Color guide for purchasing paint is included in the kit.
- Keep out of reach of children. They must not be allowed to ingest small parts or handle plastic bags in any way.

- 小心用模型锉刀锉平所有零件表面的注射浇口。
- 小心用刀片切下蚀刻片零件，不要遗失小零件。
- 用强力快干胶水粘合蚀刻片零件和金属轴。过量的快干胶水使用可能导致可动零件会粘住，小心涂胶。
- 取蚀刻片时应特别注意安全，防止利边划伤手指。
- 某些零件表面需贴水贴纸，请选择在装配的同时进行。
- 推荐模型工具(自备)：胶水，水口剪刀，长咀钳，刀片，锉刀，镊子，钳，钻，剪刀，瞬间快干胶。
- 软布同砂纸同时也应该是必备工具。
- 请使用塑料胶水和油漆，模型内不含。
- 谨防小孩吸吮塑料零件，或者将塑料袋套在头上，制作时应将套材远离小孩接触。
- 本产品不适合14岁以下没有经验的模型爱好者。



cyanoacrylate glue  
使用强力胶



weight  
配重



make hole  
钻孔



cut / remove  
切除



bend  
弯曲



file / sand  
锉平



option  
选择



no cement  
不涂胶水



decal  
贴纸

水贴纸的使用:

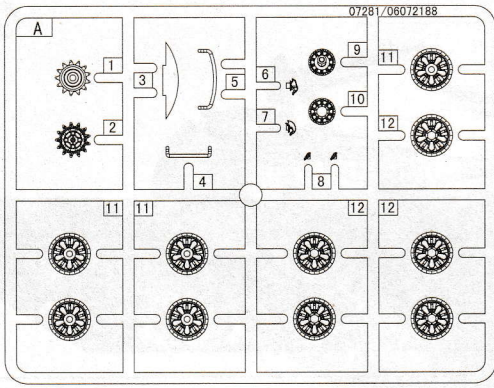
1. 从水贴纸上剪下印花;
2. 将印花放入温水中浸10秒, 然后放在干净布上。
3. 拿着印花纸板将印花移到模型上;
4. 手指蘸水将印花移到适当的位置;
5. 用软布轻压印花直至水干, 汽泡消失。

DECAL APPLICATION

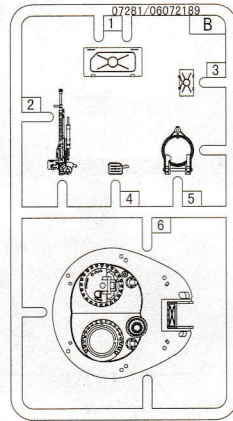
1. Cut off decal from sheet.
2. Dip the decal in tepid water 40°C for about 10 sec. and place on a clean cloth.
3. Hold the backing sheet edge and slide decal onto the model.
4. Move decal into position by wetting decal with finger.
5. Press decal gently down with a soft cloth until excess water and air bubbles are gone.
6. Allow decal to dry completely before handling model.

部品图  
Parts

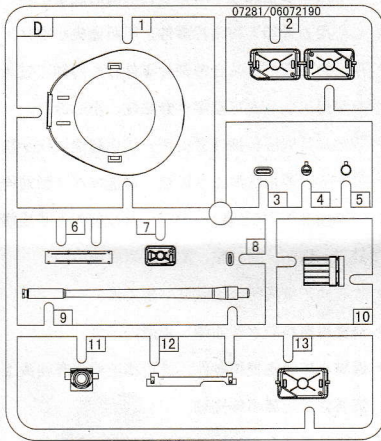
Ax2



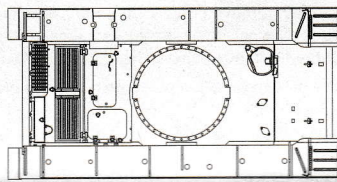
B



D



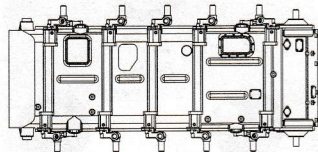
<<车面>>  
Upper hull



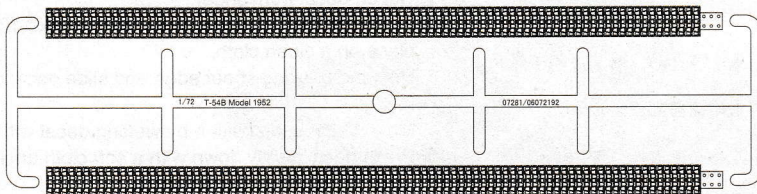
<<水贴>>  
Decal



<<车底>>  
Lower hull

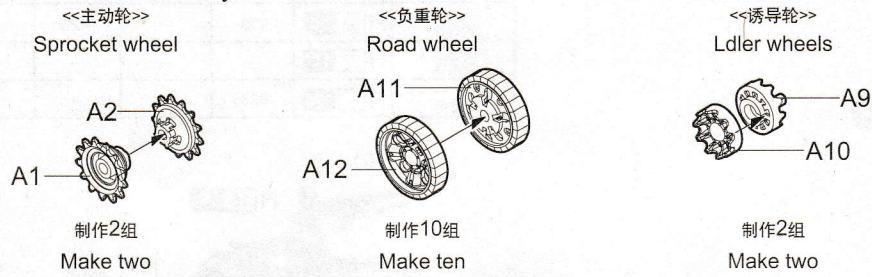


<<履带>>  
Track

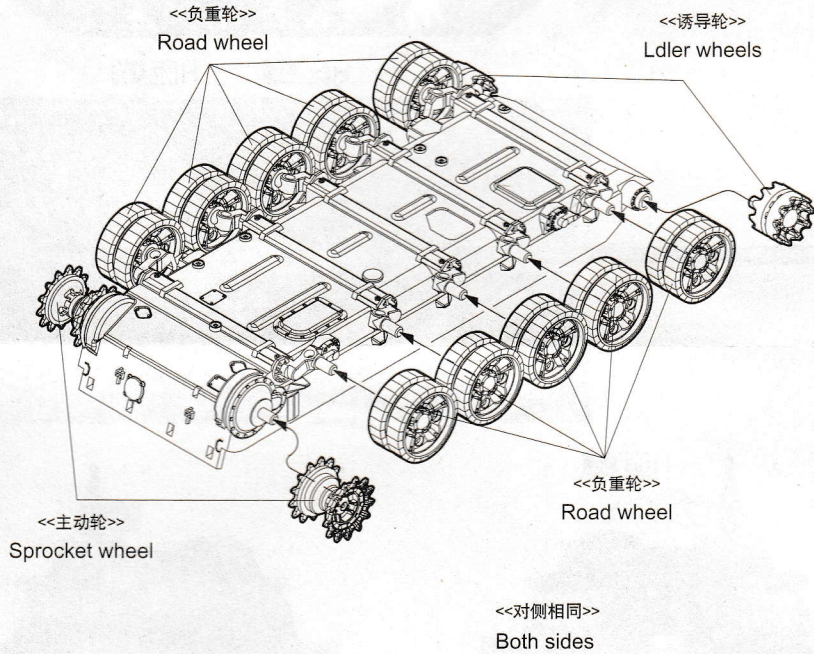




# 1 车轮组装 Wheels assembly

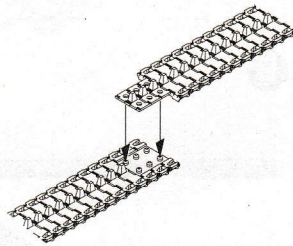


# 2 车底组装 Lower hull assembly

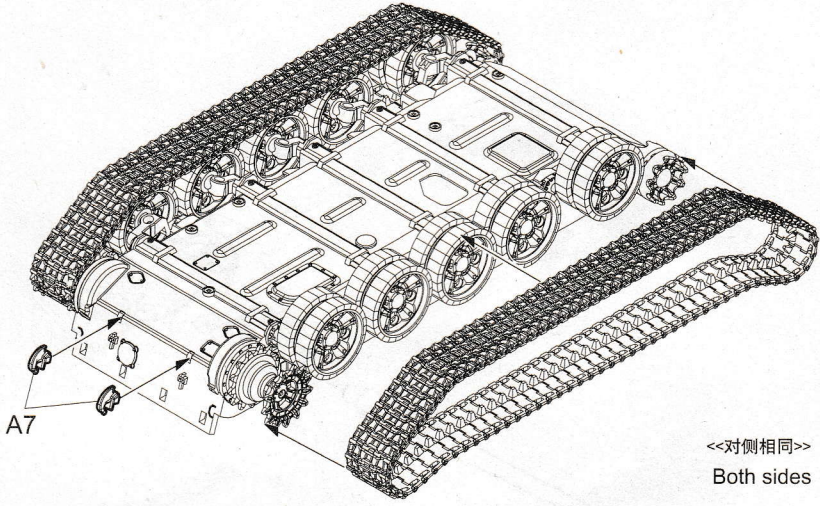


# 3 履带联接 Track construction

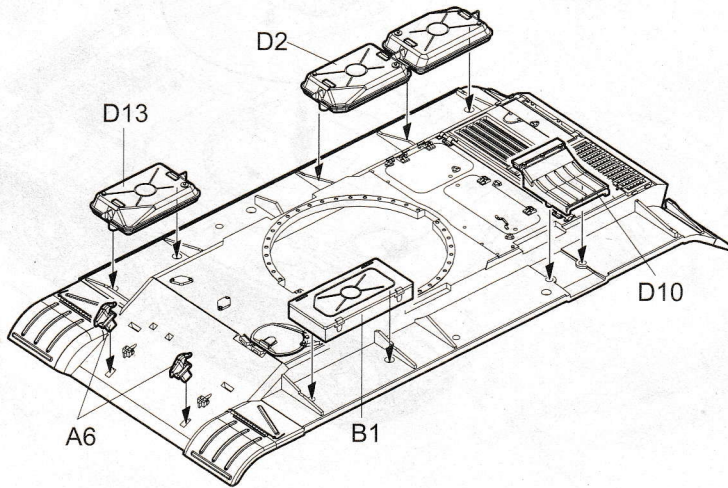
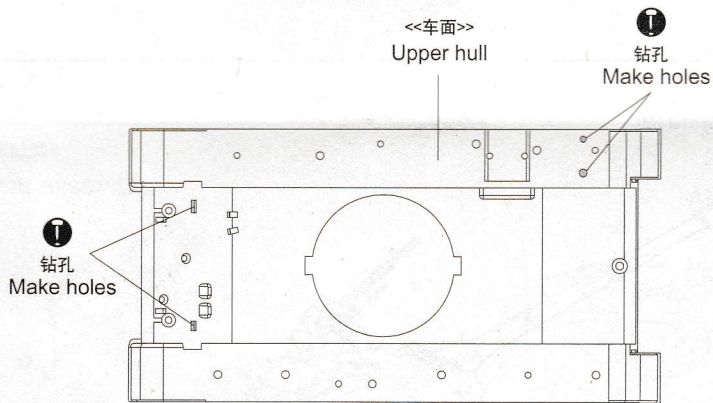
- \* 履带可用塑料胶水粘合。
- \* 履带可用模型油漆喷涂。
- \* 若履带断裂，用细丝线固定。
- \* The tracks in this kit can be glued using plastic cement.
- \* The tracks can be painted using plastic paints.
- \* If track is broken strengthen with staples or thread.



**4** 履带安装  
Attaching tracks

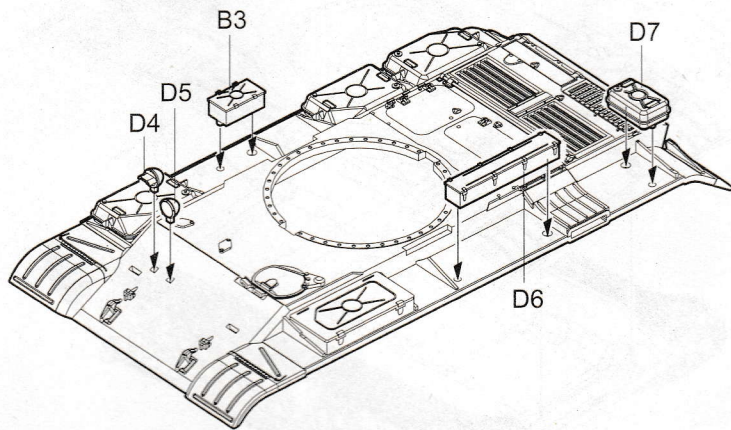


**5** 车面组装  
Upper assembly

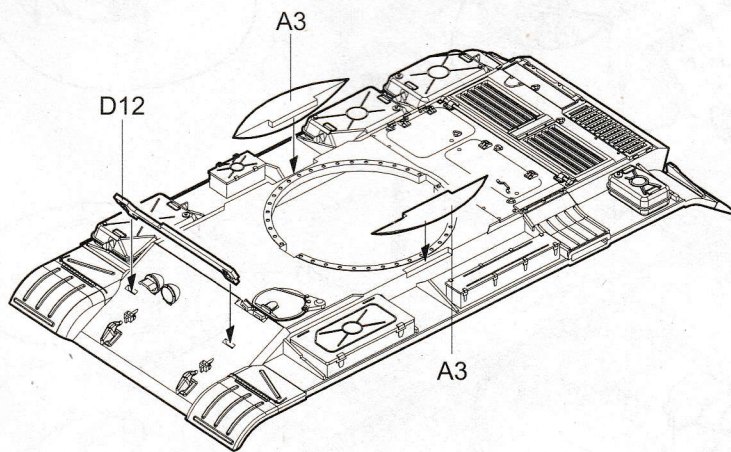




**6** 车面组装  
Upper assembly

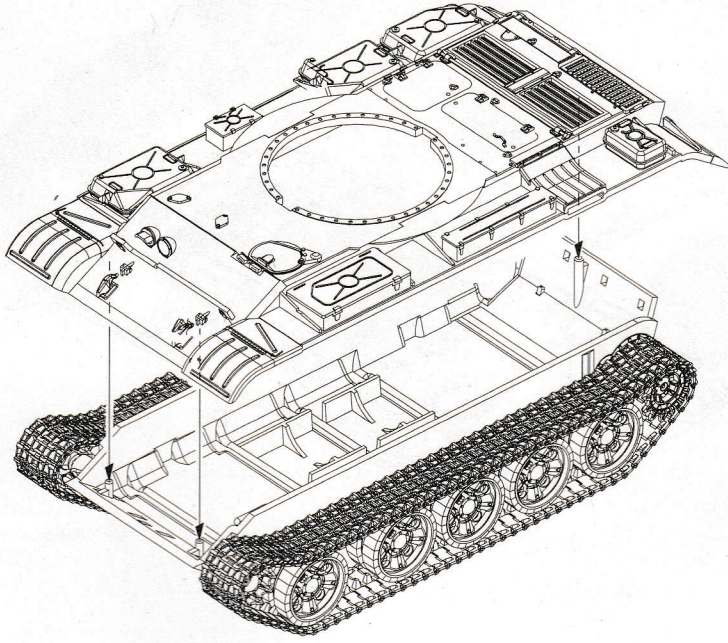


**7** 车面组装  
Upper assembly



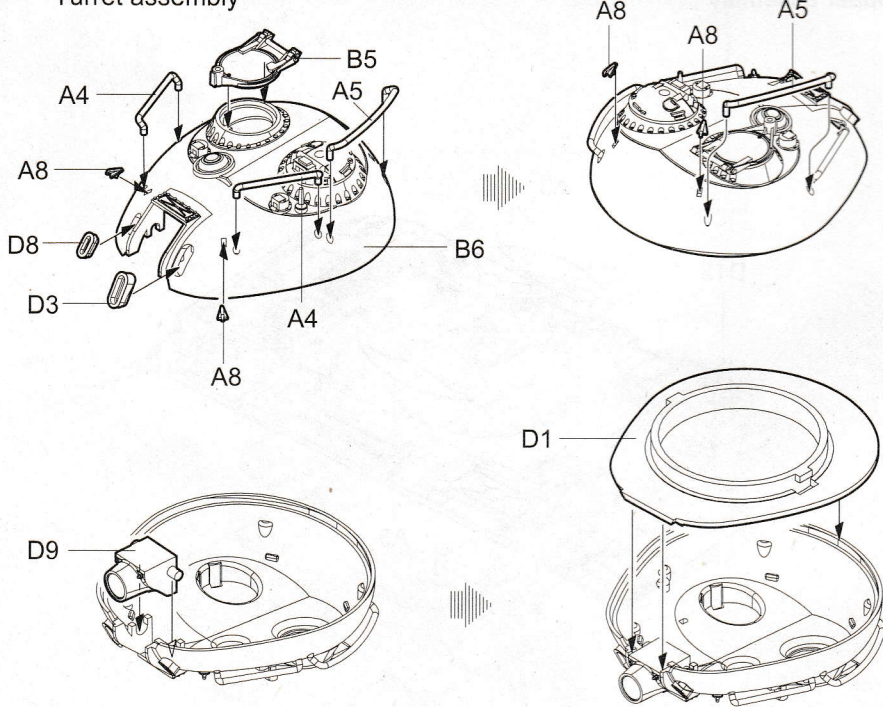
8

车面安装  
Attaching upper



9

炮塔组装  
Turret assembly

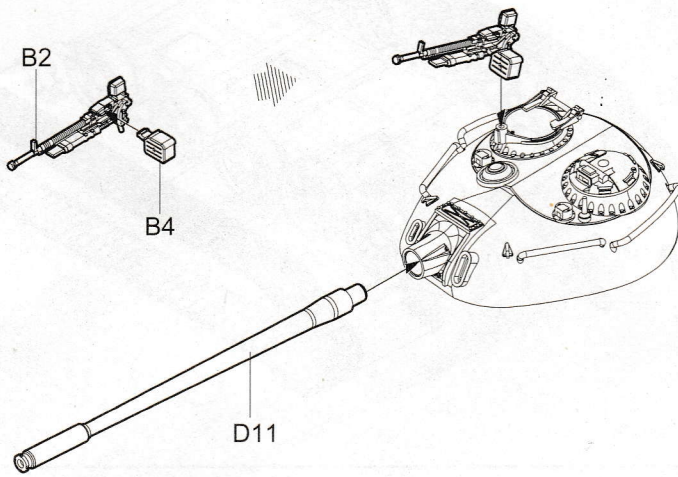




10

炮塔组装

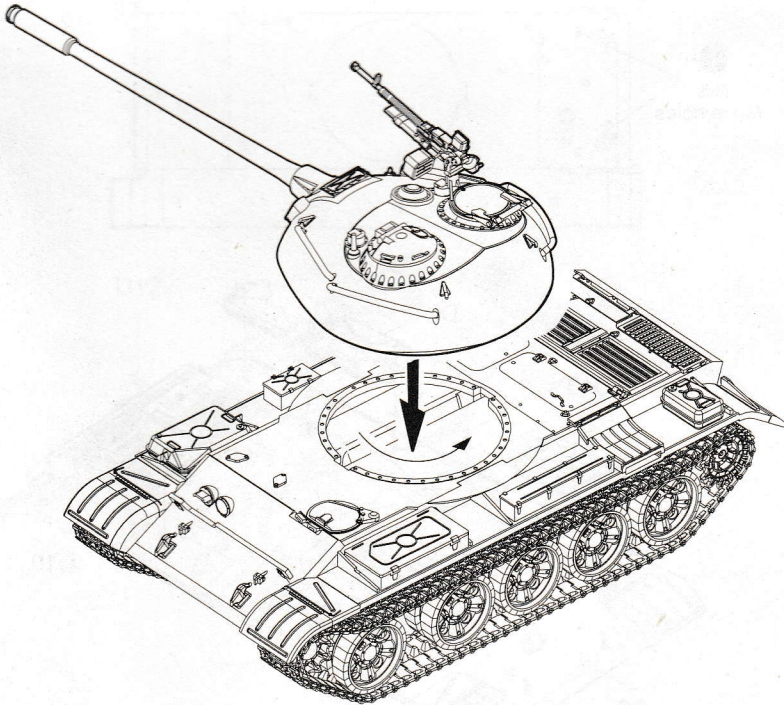
Turret assembly



11

炮塔组装

Attaching turret

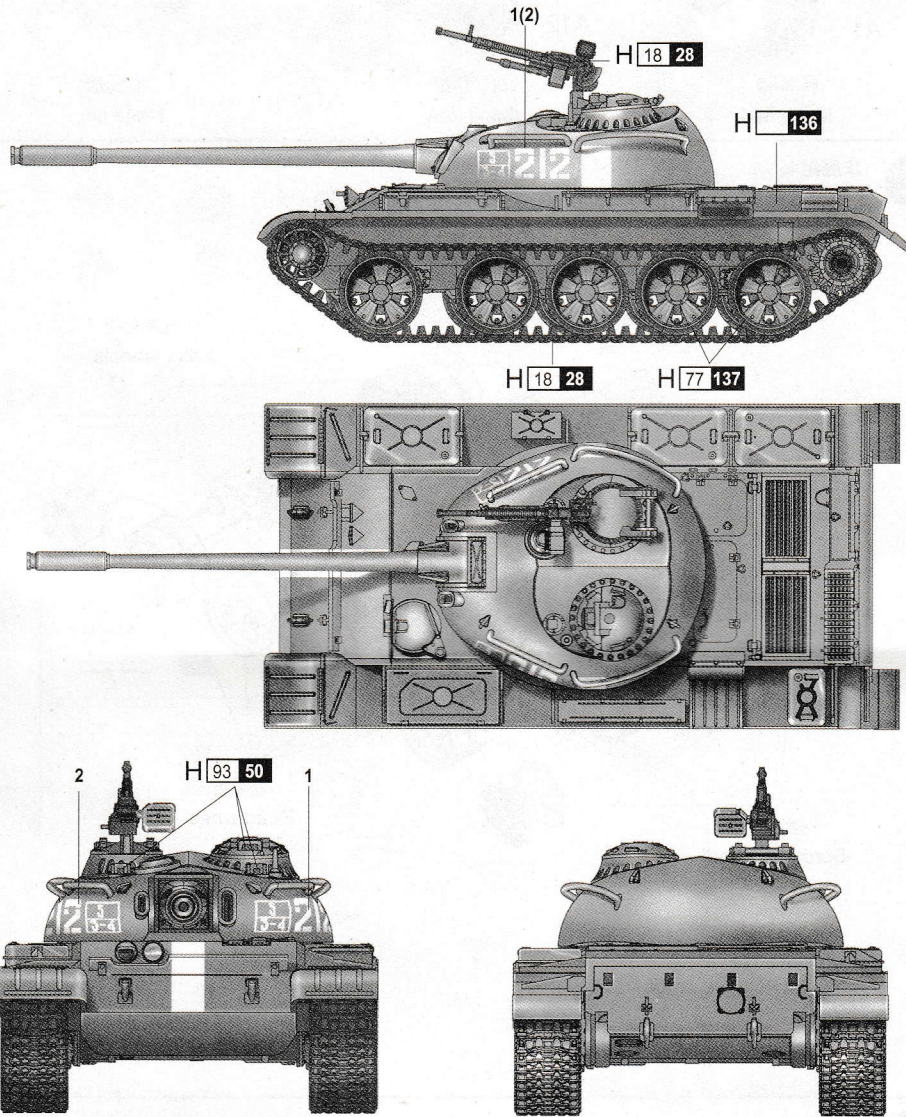




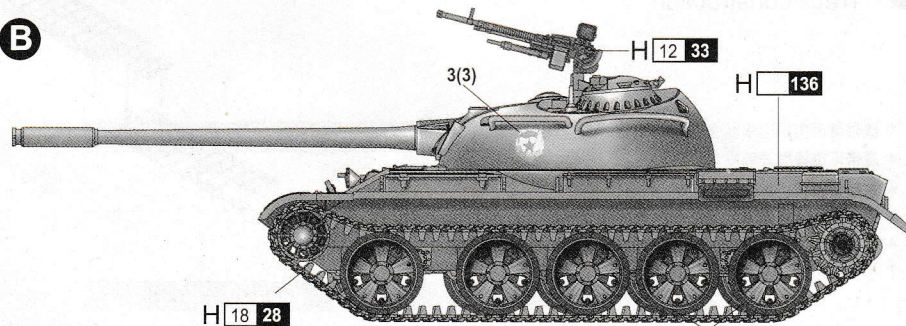
涂装同标贴指示  
Painting & Marking guide

Color	Mr.Hobby	Vallejo	Model Master	Tamiya	Humbrol
Steel(Metal Black) 枪 黑	H 18 28	864	1402	-	-
Clear Blue 透明蓝	H 93 50	938	-	X23	-
Tire Black 胎黑色	H 77 137	-	-	-	-
Russian Green(2) 苏联绿	H 136	823	-	-	-

**A**



**B**



H  AQUEOUS HOBBY COLOR

Mr. COLOR

H 77 137



212



1

2

3

212



07281 1/72 USSR  
T-54B