

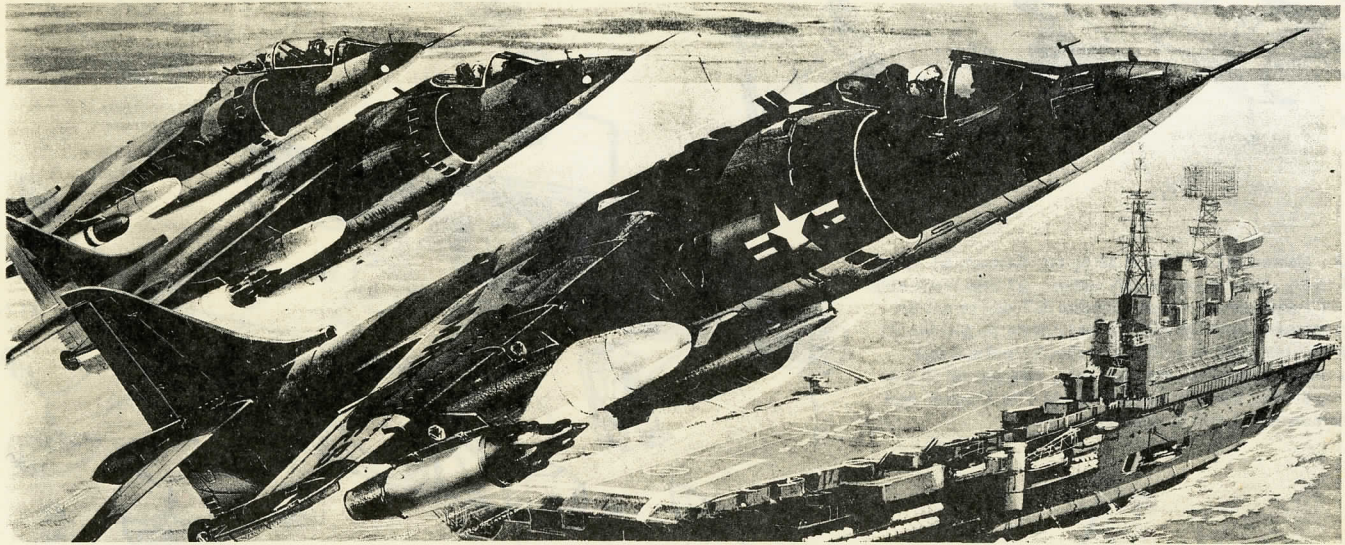
HAWKER SIDDELEY HARRIER GR-1

1/72 SCALE

MINICRAFT MODELS, INC.
1510 W 228TH STREET
TORRANCE, CALIFORNIA 90501



028



The British-built Hawker-Siddeley Harrier is one of the most unusual combat aircraft in service today. With its ability to rise straight up from a field only slightly larger than the plane itself and flash away at near-sonic speed, the Harrier combines the unique qualities of a helicopter with those of the latest jet fighters.

The secret of the Harrier's unusual abilities is a single 19,000 lb. s.t. Bristol Pegasus vectored-thrust engine. Exhaust gases from the engine are directed through four swiveling nozzles. When aimed downward, the force of the jet blast is great enough to lift the 16,000 lb. fighter vertically. At greater weights the Harrier can take-off forward as a normal aircraft.

Because the Harrier can actually stand still in the air even fly rearwards, new tactics have been developed for the radical fighter. In combat the Harrier has several advantages over conventional types. One of the most important of these is its ability to change its direction without warning, which would certainly frustrate an attacking enemy tailing the nimble Harrier.

Harriers began flying with the Royal Air Force in April 1969. In January 1971 the U.S. Marine Corps received the first of 90 AV-8A Harriers for its attack squadrons. Most of these latter planes are powered by a 21,500 lb. s.t. engine for greater performance.

CHARACTERISTICS

Dimensions: Wingspan 25 feet 3 inches. Length 45 feet 6 inches.

Powerplant: One Rolls Royce Bristol Pegasus vectored thrust engine of up to 21,500 lbs. s.t.

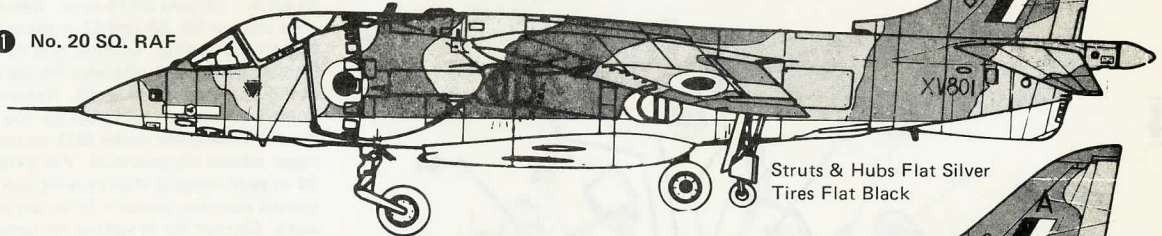
Performance: Maximum speed over 737 mph. Range 500 miles.

Armament: Seven hardpoints are provided to carry up to 5,000 lbs. of weapons, including bombs, rockets and missiles.

PARTS LIST

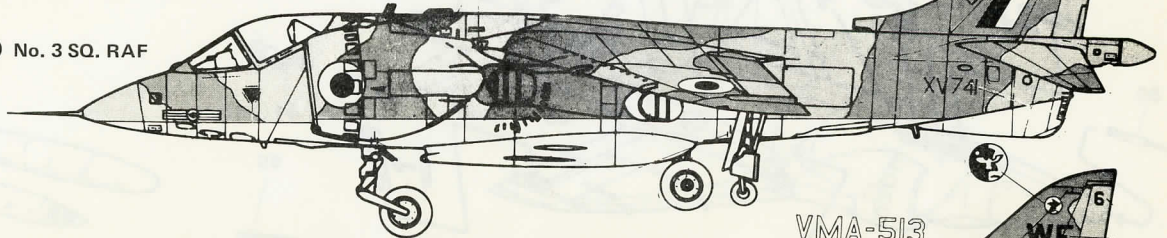
- 1 Fuselage half (L)
- 2 Fuselage half (R)
- 3 Wing top (L)
- 4 Wing top (R)
- 5 Intake fairing (L)
- 6 Intake fairing (R)
- 7 Intake duct (L)
- 8 Intake duct (R)
- 9 Stabilizer (L)
- 10 Stabilizer (R)
- 11 Wing bottom (L)
- 12 Wing bottom (R)
- 13 Wing tank half (2)
- 14 Wing tank half (2)
- 15 Side fairing (L)
- 16 Side fairing (R)
- 17 Recon pod half
- 18 Recon pod half
- 19 Aden gun pod (L)
- 20 Aden gun pod (R)
- 21 Radome
- 22 Aden gun barrel (2)
- 23 Rocket pod half (2)
- 24 Rocket pod half (2)
- 25 Bomb half
- 26 Bomb half
- 27 Forward exhaust swivel (2)
- 28 Aft exhaust swivel (2)
- 29 Seat
- 30 Pilot
- 31 Exhaust deflector (2)
- 32 Scoop (2)
- 33 Antenna
- 34 Retracted outrigger (L)
- 35 Retracted outrigger (R)
- 36 Outrigger (2)
- 37 Forward exhaust half (L)
- 38 Forward exhaust half (L)
- 39 Forward exhaust half (R)
- 40 Forward exhaust half (R)
- 41 Aft exhaust half (L)
- 42 Aft exhaust half (L)
- 43 Aft exhaust half (R)
- 44 Aft exhaust half (R)
- 45 Rocket pod nose (2)
- 46 Fan
- 47 Nose gear
- 57 Bomb rack
- 58 Outrigger door (2)
- 59 Strake (2)
- 60 Pitot tube
- 61 Speed brake
- 62 Main gear

1 No. 20 SQ. RAF

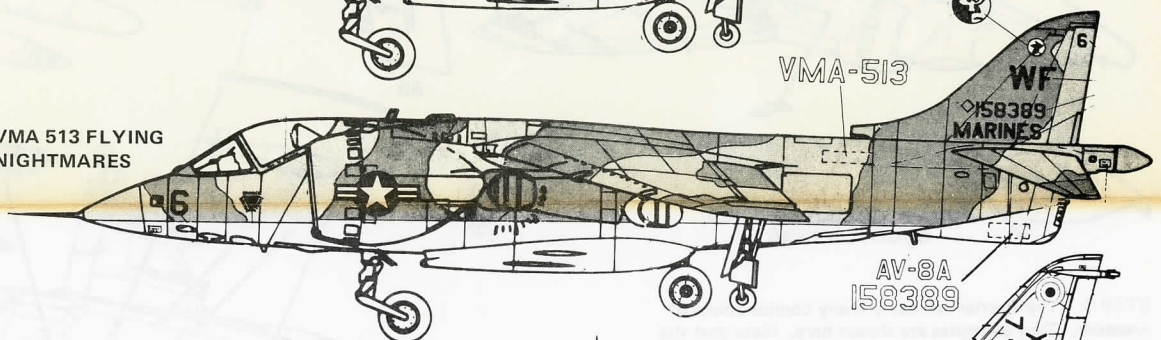


Struts & Hubs Flat Silver
Tires Flat Black

2 No. 3 SQ. RAF



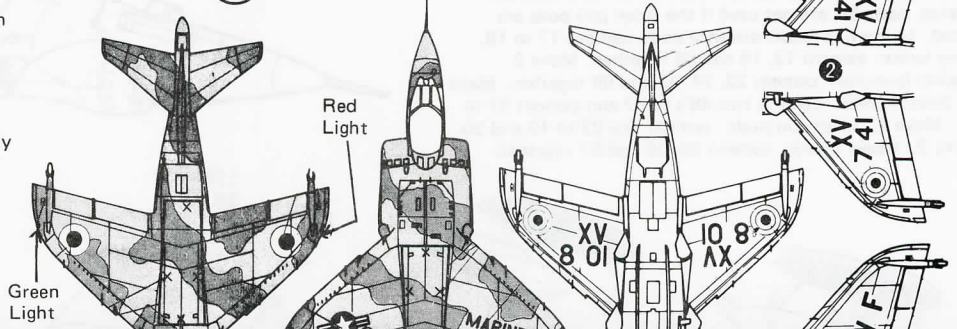
3 VMA 513 FLYING NIGHTMARES



VMA-513

AV-8A
158389

- Sea Green FS34079
- Sea Gray FS36293
- Light Gray FS36440



are directed through four swiveling nozzles. When aimed downward, the force of the jet blast is great enough to lift the 16,000 lb. fighter vertically. At greater weights the Harrier can take-off forward as a normal aircraft.

Because the Harrier can actually stand still in the air even fly rearwards, new tactics have been developed for the radical fighter. In combat the Harrier has several advantages over conventional types. One of the most important of these is its ability to change its direction without warning, which would certainly frustrate an attacking enemy tailing the nimble Harrier.

Harriers began flying with the Royal Air Force in April 1969. In January 1971 the U.S. Marine Corps received the first of 90 AV-8A Harriers for its attack squadrons. Most of these latter planes are powered by a 21,500 lb. s.t. engine for greater performance.

CHARACTERISTICS

Dimensions: Wingspan 25 feet 3 inches. Length 45 feet 6 inches.


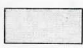
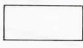
Powerplant: One Rolls Royce Bristol Pegasus vectored thrust engine of up to 21,500 lbs. s.t.

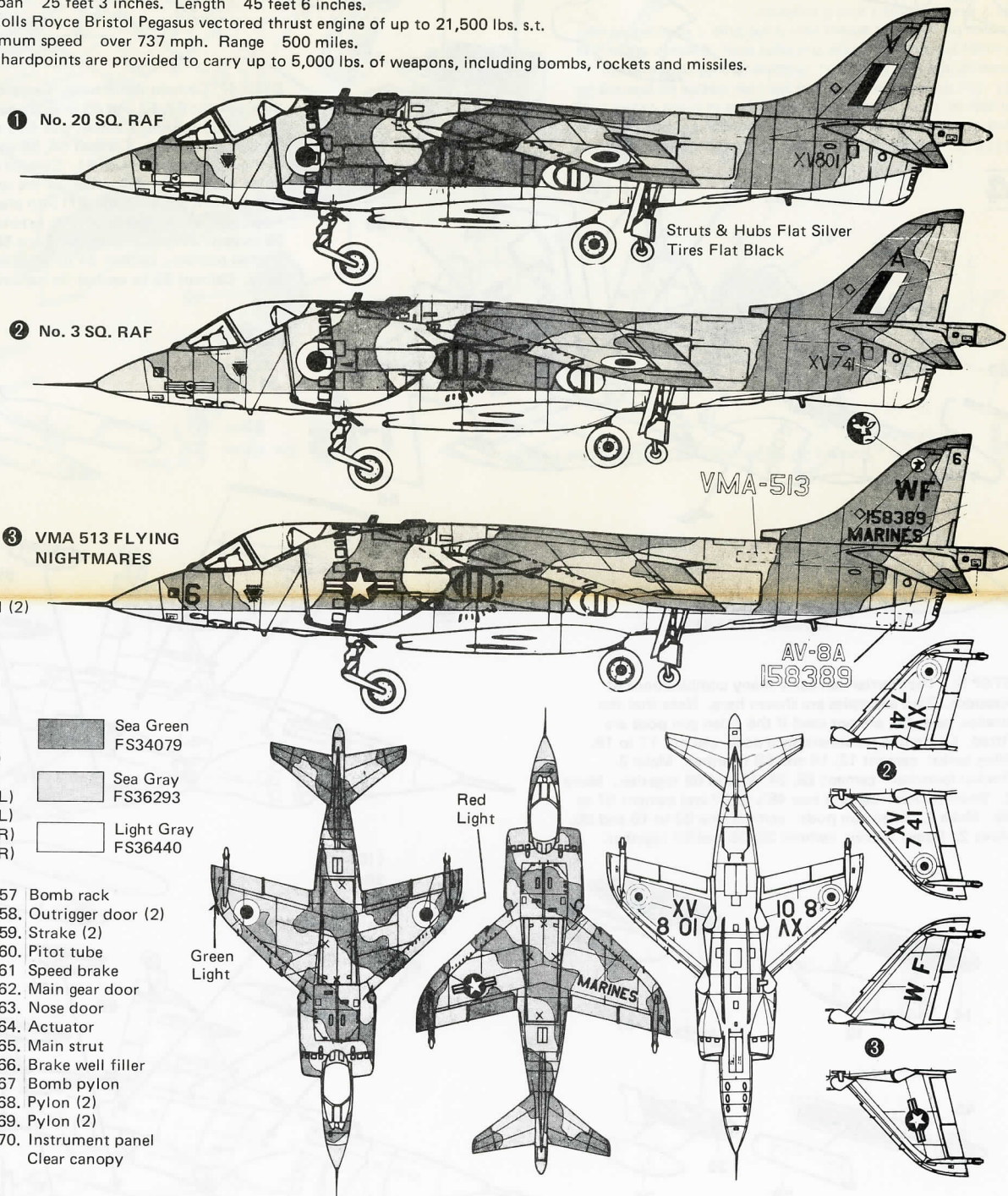
Performance: Maximum speed over 737 mph. Range 500 miles.

Armament: Seven hardpoints are provided to carry up to 5,000 lbs. of weapons, including bombs, rockets and missiles.

PARTS LIST

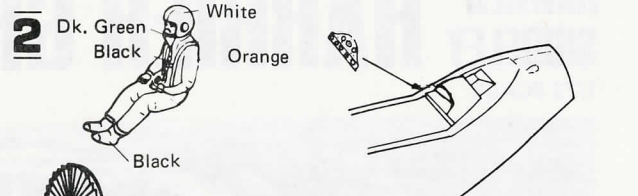
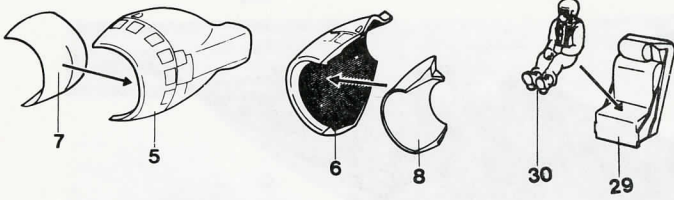
- 1 Fuselage half (L)
- 2 Fuselage half (R)
- 3 Wing top (L)
- 4 Wing top (R)
- 5 Intake fairing (L)
- 6 Intake fairing (R)
- 7 Intake duct (L)
- 8 Intake duct (R)
- 9 Stabilizer (L)
- 10 Stabilizer (R)
- 11 Wing bottom (L)
- 12 Wing bottom (R)
- 13 Wing tank half (2)
- 14 Wing tank half (2)
- 15 Side fairing (L)
- 16 Side fairing (R)
- 17 Recon pod half
- 18 Recon pod half
- 19 Aden gun pod (L)
- 20 Aden gun pod (R)
- 21 Radome
- 22 Aden gun barrel (2)
- 23 Rocket pod half (2)
- 24 Rocket pod half (2)
- 25 Bomb half
- 26 Bomb half
- 27 Forward exhaust swivel (2)
- 28 Aft exhaust swivel (2)
- 29 Seat
- 30 Pilot
- 31 Exhaust deflector (2)
- 32 Scoop (2)
- 33 Antenna
- 34 Retracted outrigger (L)
- 35 Retracted outrigger (R)
- 36 Outrigger (2)
- 37 Forward exhaust half (L)
- 38 Forward exhaust half (L)
- 39 Forward exhaust half (R)
- 40 Forward exhaust half (R)
- 41 Aft exhaust half (L)
- 42 Aft exhaust half (L)
- 43 Aft exhaust half (R)
- 44 Aft exhaust half (R)
- 45 Rocket pod nose (2)
- 46 Fan
- 47 Nose gear
- 48 Bomb (4)
- 49 Main wheel (2)
- 50 Small scoop (2)
- 51 Tail cone
- 52 Nose door (R)
- 53 Nose door (L)
- 54 Main door (L)
- 55 Main door (R)
- 56 Antenna
- 57 Bomb rack
- 58 Outrigger door (2)
- 59 Strake (2)
- 60 Pitot tube
- 61 Speed brake
- 62 Main gear door
- 63 Nose door
- 64 Actuator
- 65 Main strut
- 66 Brake well filler
- 67 Bomb pylon
- 68 Pylon (2)
- 69 Pylon (2)
- 70 Instrument panel

-  Sea Green FS34079
-  Sea Gray FS36293
-  Light Gray FS36440

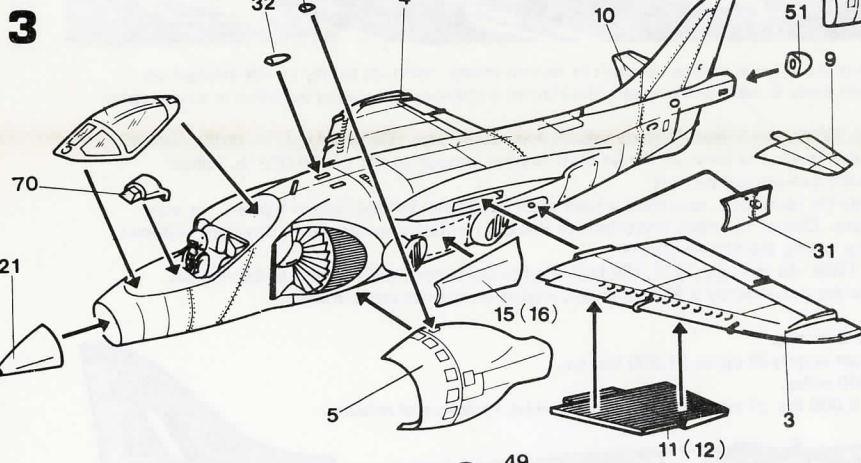
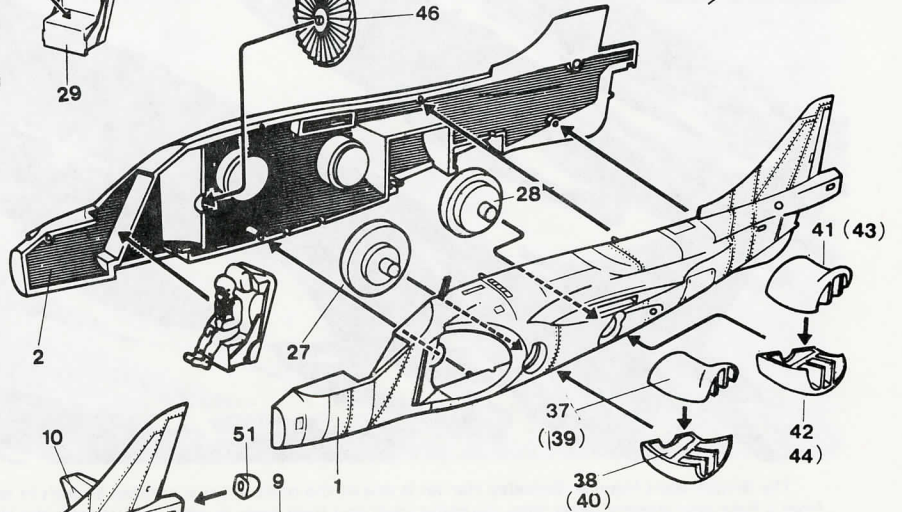


Printed in U.S.A.

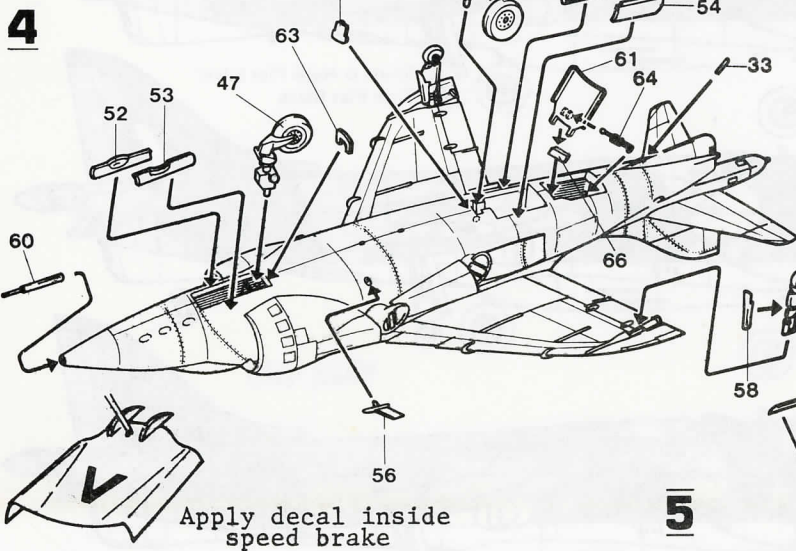
1 STEP 1 Cement 30 to 29. Cement 8 inside 6 and 7 inside 5 as shown.



STEP 2: Cement 37 to 38 and 39 to 40. Cement 41 to 42 and 43 to 44. Now place, do not cement, 27 into front hole in side of 1 and cement forward nozzle (37-40) to pin on 27. Do the same with 28 and the rear nozzle by placing 28 through the rear hole in 1. Nozzles should rotate freely. Repeat the procedure for the right side. Cement 46 to 2 as shown by arrow. Cement seat from Step 1 to front of wall on 2 then cement 1 and 2 together

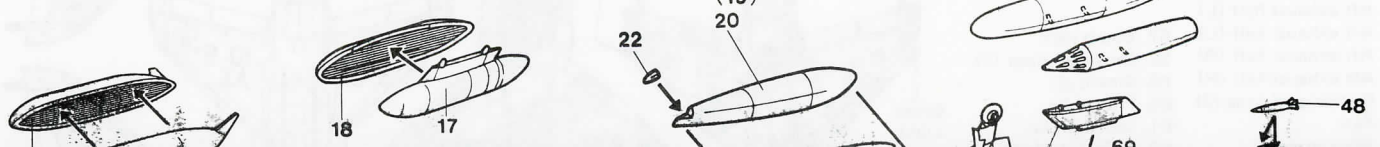
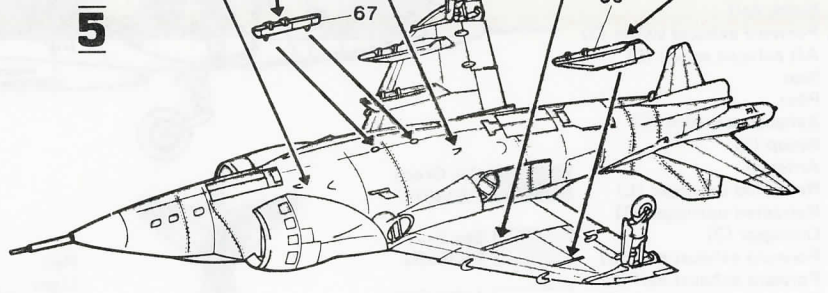


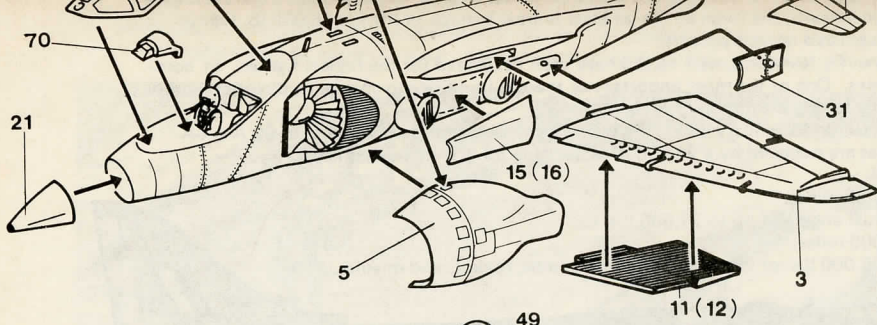
STEP 3: Apply instrument panel decal to 70 then cement 70 to front of cockpit. Cement 21 to nose then cement clear canopy over cockpit. Cement intakes from Step 1 in place on each side of the fuselage. Cement two 32's and two 50's to fuselage as shown. Cement 15 to left Fuselage side and 16 to right side as shown by dotted lines. Cement one 31 to each fuselage side behind aft exhaust port. Cement 11 to 3 and 12 to 4 then cement wings to fuselage. Cement 9 and 10 to tail then cement 51 to fuselage as shown.



STEP 4: Cement 60 to nose. Cement 47 into nose well then cement 52, 53 and 63 in place beside well as shown. Cement 56 to side. Cement two 49's to 65 then cement 65 into aft wheel well. Cement 54, 55 and 62 beside the well as shown. Cement 64 to 61. Cement 66 into front of speed brake well to form two slots for the speed brake hinges, then cement speed brake (61) into place. Two pair of outrigger wheels are provided. For extended gear cement one 36 to each wingtip then cement one 58 to each 36. For retracted position, cement 34 to left wing and 35 to right wing. Cement 33 to ventral fin beneath tail.

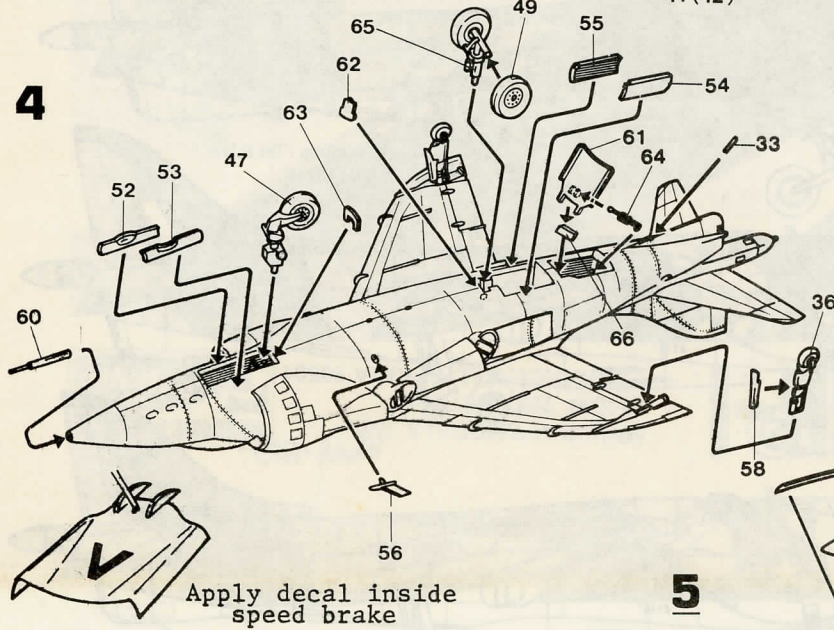
STEP 5: The Harrier can carry many combinations of weapons. Two examples are shown here. Note that the strakes, parts 59, are not used if the Aden gun pods are fitted. Centerline reconnaissance pod: cement 17 to 18. Wing tanks: cement 13, 14 and 68 together. Make 2. Rocket launcher: cement 23, 24, 45 and 69 together. Make 2. Small bombs: cement two 48's to 57 and cement 57 to 69. Make 2. Aden gun pods: cement one 22 to 19 and 20. Make 2. Heavy bomb: cement 25, 26 and 67 together





STEP 3: Apply instrument panel decal to 70 then cement 70 to front of cockpit. Cement 21 to nose then cement clear canopy over cockpit. Cement intakes from Step 1 in place on each side of the fuselage. Cement two 32's and two 50's to fuselage as shown. Cement 15 to left Fuselage side and 16 to right side as shown by dotted lines. Cement one 31 to each fuselage side behind aft exhaust port. Cement 11 to 3 and 12 to 4 then cement wings to fuselage. Cement 9 and 10 to tail then cement 51 to fuselage as shown.

4



Apply decal inside speed brake

STEP 4: Cement 60 to nose. Cement 47 into nose well then cement 52, 53 and 63 in place beside well as shown. Cement 56 to side. Cement two 49's to 65 then cement 65 into aft wheel well. Cement 54, 55 and 62 beside the well as shown. Cement 64 to 61 Cement 66 into front of speed brake well to form two slots for the speed brake hinges, then cement speed brake (61) into place. Two pair of outrigger wheels are provided. For extended gear cement one 36 to each wingtip then cement one 58 to each 36. For retracted position, cement 34 to left wing and 35 to right wing. Cement 33 to ventral fin beneath tail.

5

STEP 5: The Harrier can carry many combinations of weapons. Two examples are shown here. Note that the strakes, parts 59, are not used if the Aden gun pods are fitted. Centerline reconnaissance pod: cement 17 to 18. Wing tanks: cement 13, 14 and 68 together. Make 2. Rocket launcher: cement 23, 24, 45 and 69 together. Make 2. Small bombs: cement two 48's to 57 and cement 57 to 69. Make 2. Aden gun pods: cement one 22 to 19 and 20. Make 2. Heavy bomb: cement 25, 26 and 67 together

