

# A-1B Trainer

ブラジル空軍 A-1B 練習機 A-1B 教练机

## PLEASE READ BEFORE OPERATION!

- \* Tools recommended as below: (Not included)  
Adhesives; Paints; Side Cutters; Sharp Edged Pliers; Modeling Knife; Modeling File; Nippers; Drill; Scissors; Sand Paper; Soft Cloth; Cyanoacrylate Glue.
- \* Make sure to read this instruction listed below before assembling.
- \* The kit contains the small parts, they can be dangerous if swallowed by mistake, so keep them away from reach of children.
- \* Cut the all parts off carefully and remove the waste parts into the garbage can.
- \* More caution and care should be needed for cutting and handling the photo etched parts.
- \* Make attention that some parts should be attached the decal when assembled.
- \* During assembling, please tear up and throw away the plastic bags, or may cause the dangerous if wearing over head by children's mistake.
- \* When using the adhesives and paints, please do not use them in the closed room or near the fire, also must be very careful to protect your eyes, face and clothes.
- \* Adult supervised when assembled by children under 14 years old.

## 装配前请仔细阅读:

- \* 推荐使用的模型工具(请自备):  
专用模型胶水, 专用模型油漆, 水口剪刀, 长咀钳, 刀片, 锉刀, 镊子钳, 钻, 剪刀, 软布, 砂纸, 瞬间快干胶等。
- \* 用水口剪刀或刀片小心切下所有塑胶零件和蚀刻片零件, 不要遗失小零件。
- \* 切取蚀刻片时应特别注意防止利边划伤手指。
- \* 用模型锉刀小心锉平所有零件表面的注射浇口。
- \* 用适量的强力快干胶水粘合蚀刻片零件和金属轴, 切忌过量, 否则可能导致可动零件被粘住。
- \* 注意某些零件表面需在装配时同步贴水上贴纸。
- \* 制作时应远离幼儿并将包装袋及时收妥, 谨防小孩玩耍而引起意外。



using ca super glue  
使用强力胶



weight  
配重



make hole  
钻孔



cut / remove  
切除



option  
选择



no cement  
不涂胶水



decal  
贴纸



bend  
弯曲



repair  
填补



install it first  
先装

## The method to apply the decals

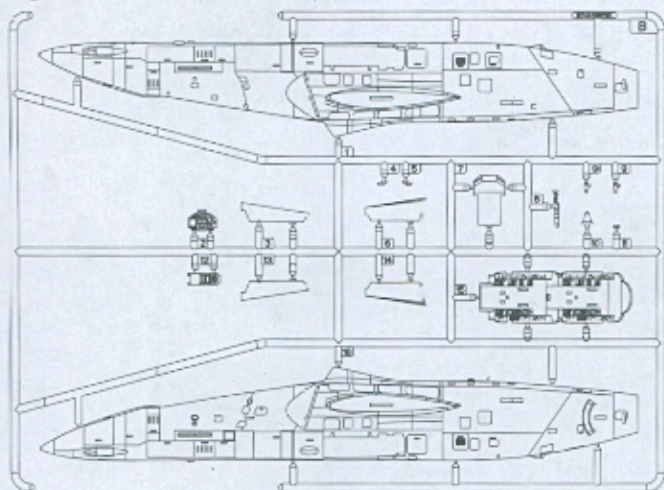
1. Cut off the decal from the decal paper and put it into the warm water 40°C for 10 seconds.
2. Take the decal from the water and put it on a piece of clean cloth.
3. Remove the decal slowly from the paper to the targeted location by a wet finger.
4. Use a piece of dry and soft cloth to press it gently on the decal until it getting dry and no bubble existing.

## 水贴纸的使用方法:

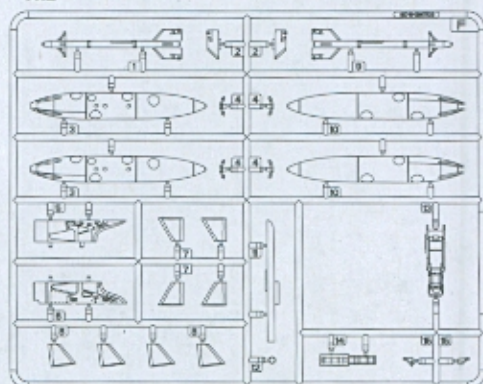
- 一. 把相关的印花从水贴上剪下, 放入40°C左右的温水中浸10秒。
- 二. 然后将印花放在干净的布上。
- 三. 拿上印花纸, 手指蘸水将印花移到适当的位置。
- 四. 用软干布轻压印花直至水干, 气泡消失。

部品图  
Parts

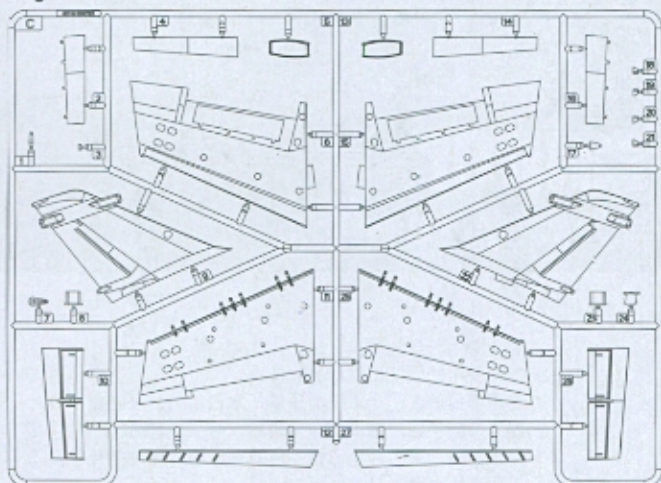
B



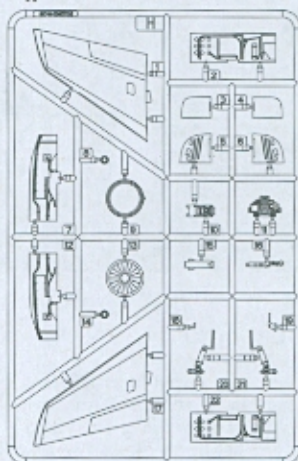
Fx2



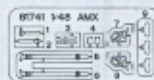
C



H



《蚀刻片》x2  
Photo etched part (PE)



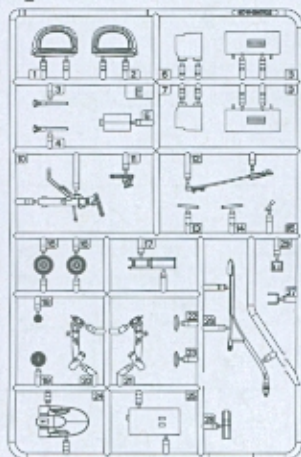
《前轮胎》  
Nose tyre



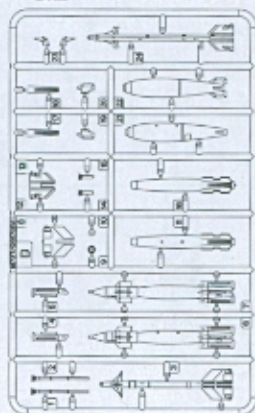
《主轮胎》x2  
Main tyre



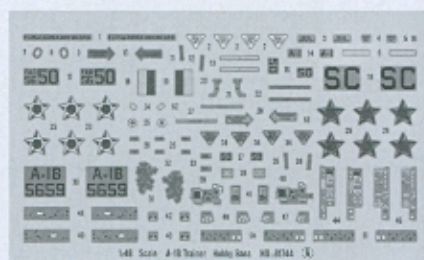
E



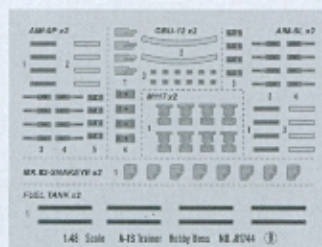
Dx2



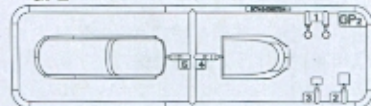
《水贴》A  
Decal A



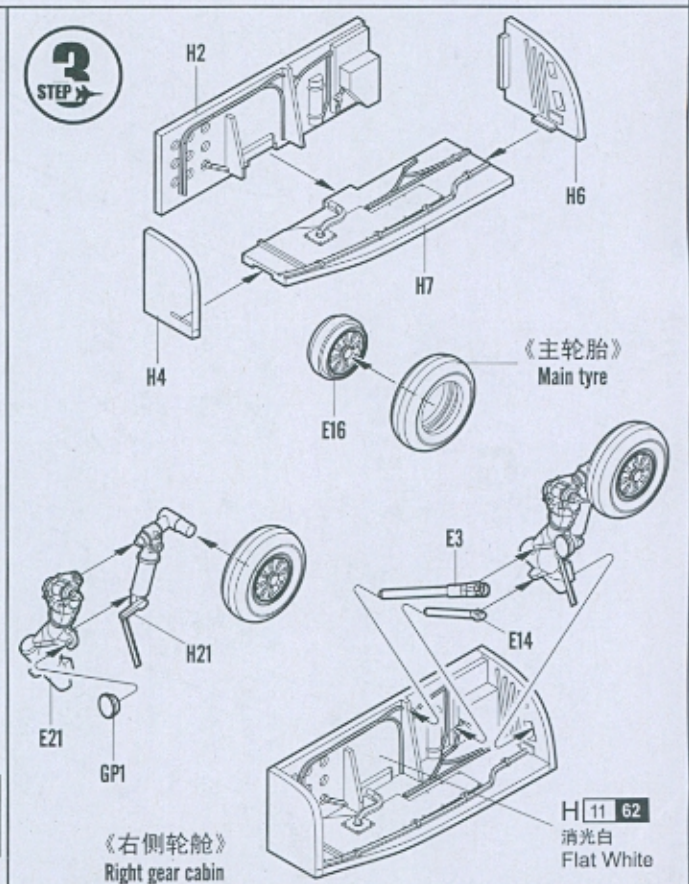
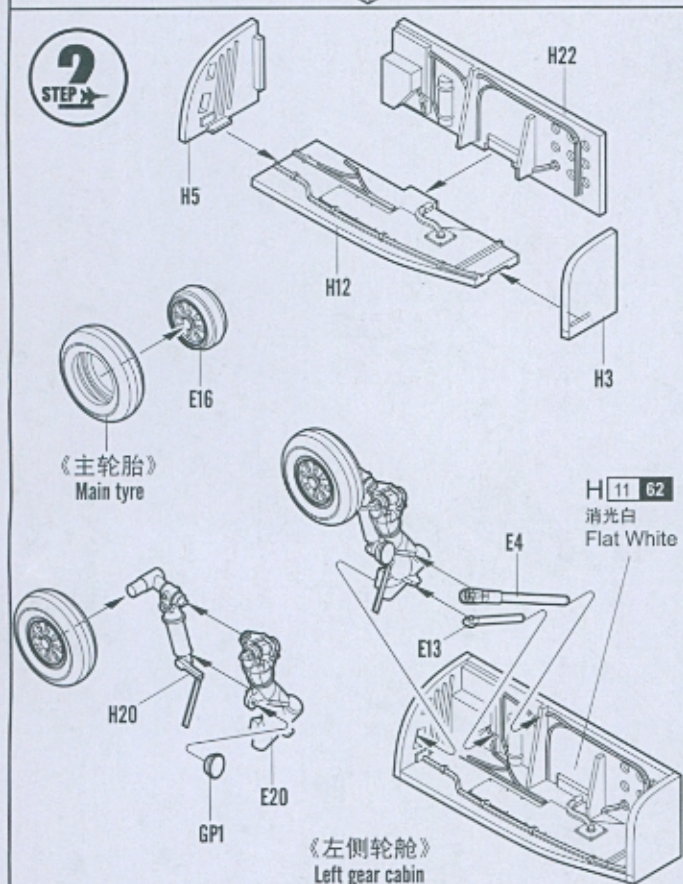
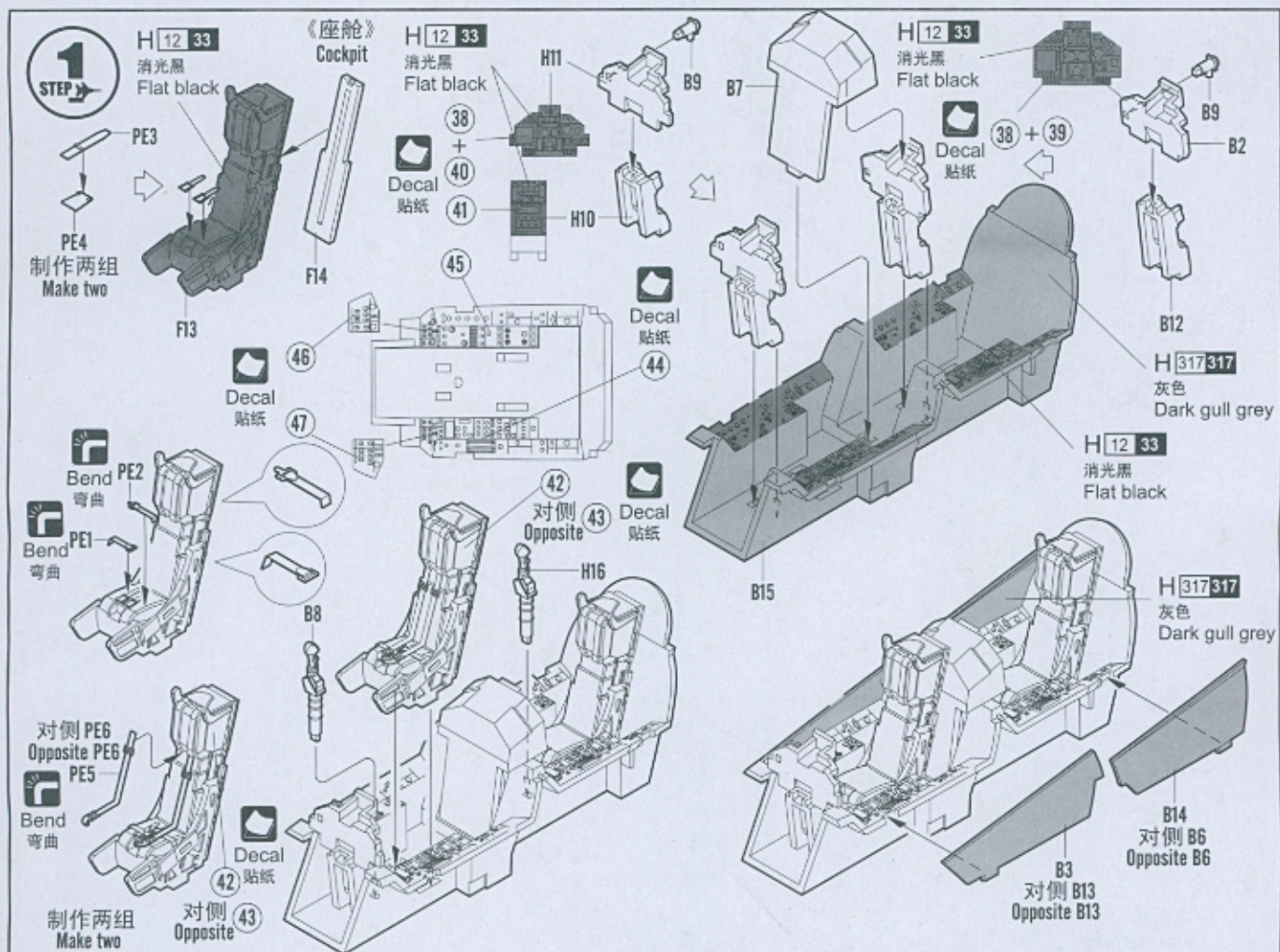
《水贴》B  
Decal B



GP2



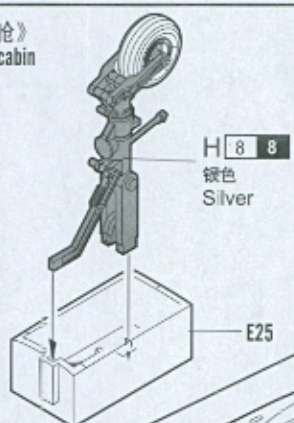
不用的部件: E18 D3 D8 D10  
Unused parts:



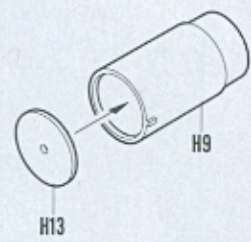


《前轮胎》  
Nose tyre E19

《前轮舱》  
Nose gear cabin



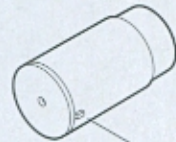
H 8 8  
银色  
Silver



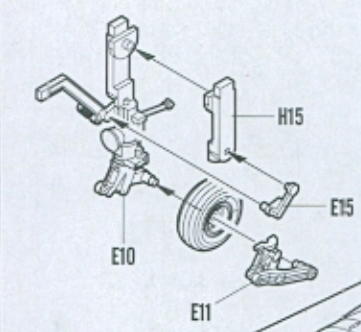
H13

H 317 317  
灰色  
Dark gull grey

《右侧轮舱》  
Right gear cabin



《左侧轮舱》  
Left gear cabin



E10

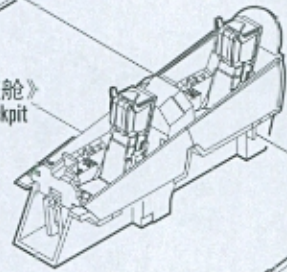
E11

H15

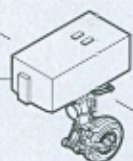
E15

B1

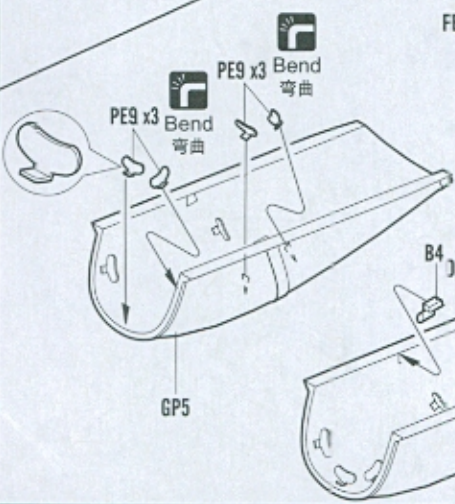
《座舱》  
Cockpit



《前轮舱》  
Nose gear cabin



B16



PE9 x3

PE9 x3  
Bend  
弯曲

GP5

FE8

GP2

PE7

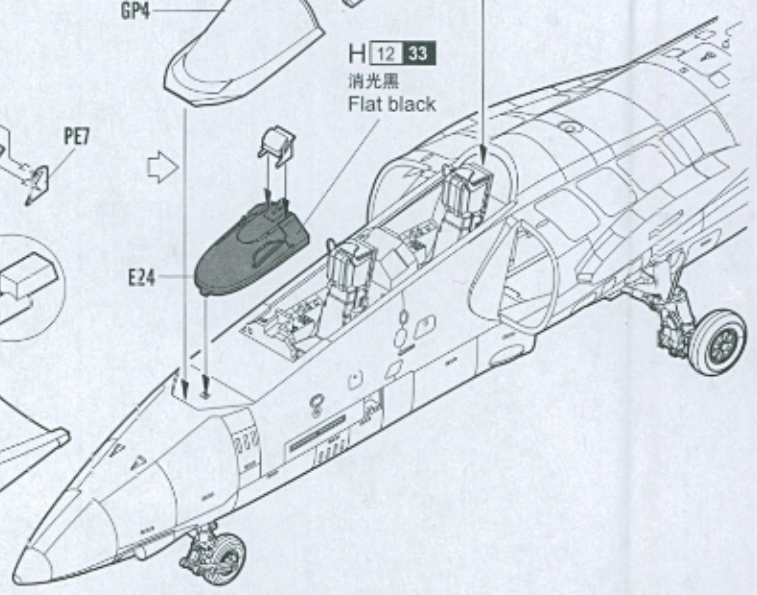
B4

对侧 B5  
Opposite B5

GP4

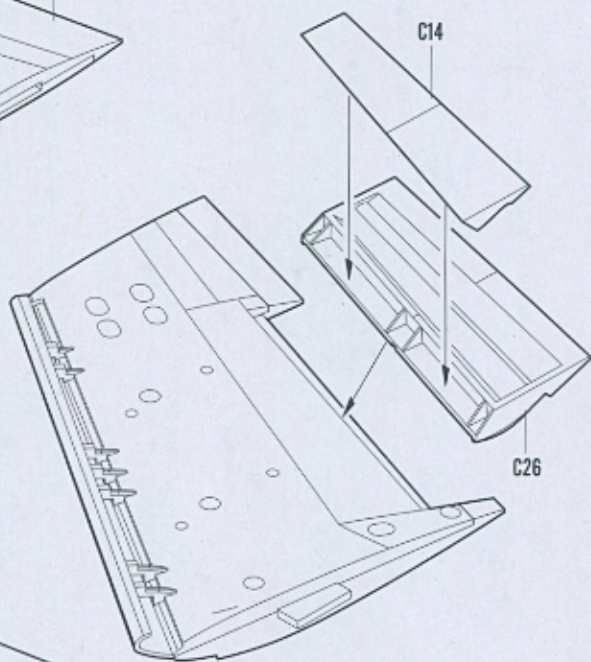
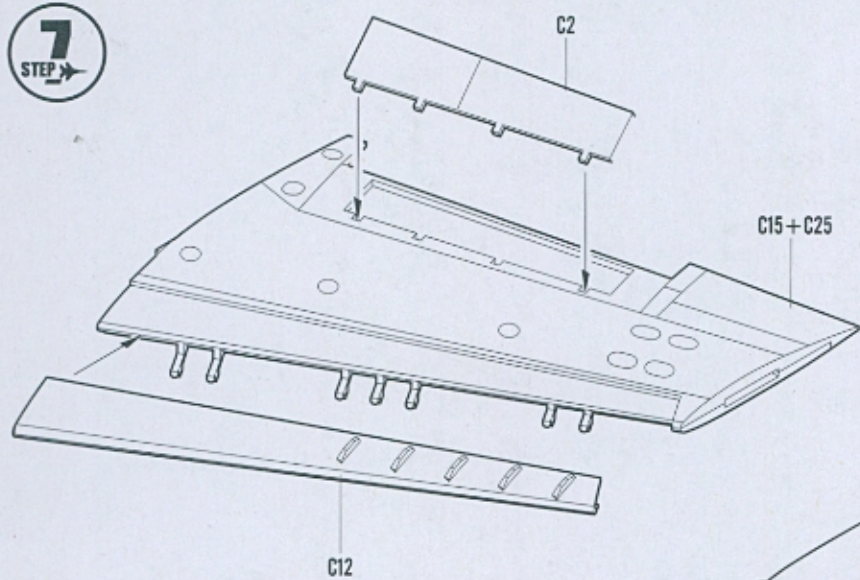
H 12 33  
消光黑  
Flat black

E24

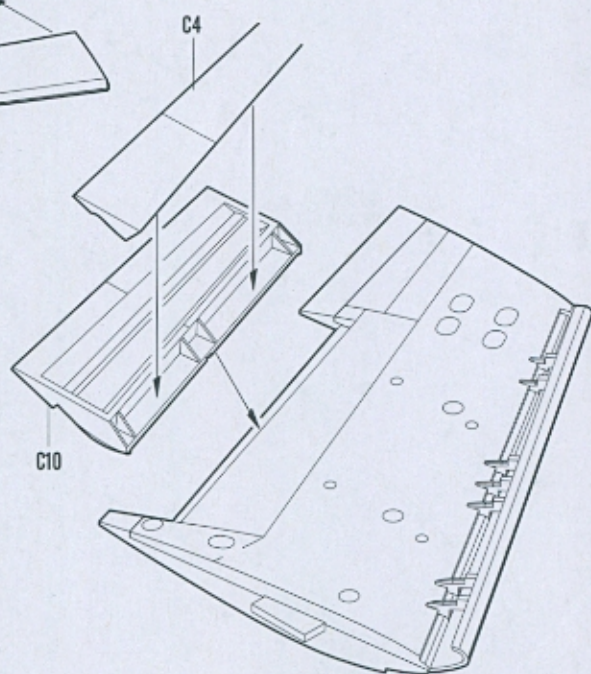
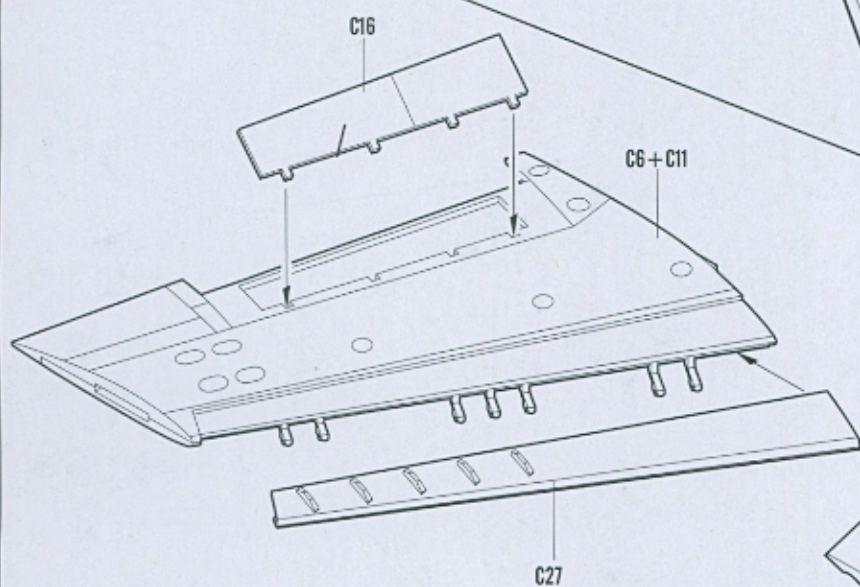


7  
STEP →

《左侧机翼》  
Left wing



8  
STEP →



《右侧机翼》  
Right wing



Make hole  
钻孔

Make hole  
钻孔

《右侧机翼》  
Right wing

H1  
对侧 H17  
Opposite H17

《左侧机翼》  
Left wing

E1  
对侧 E2  
Opposite E2

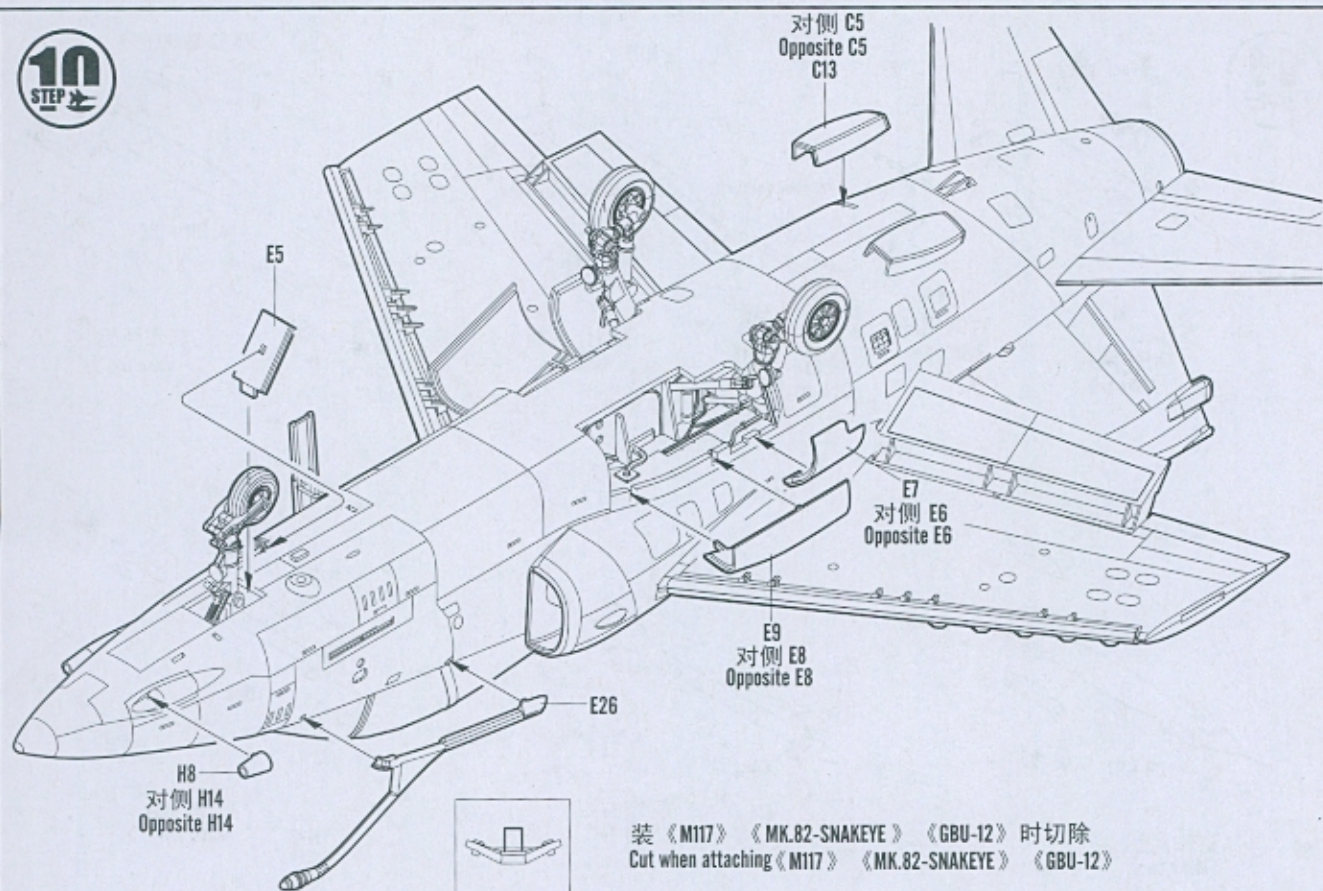
E22  
对侧 E23  
Opposite E23

对侧 C21 C20  
Opposite C21

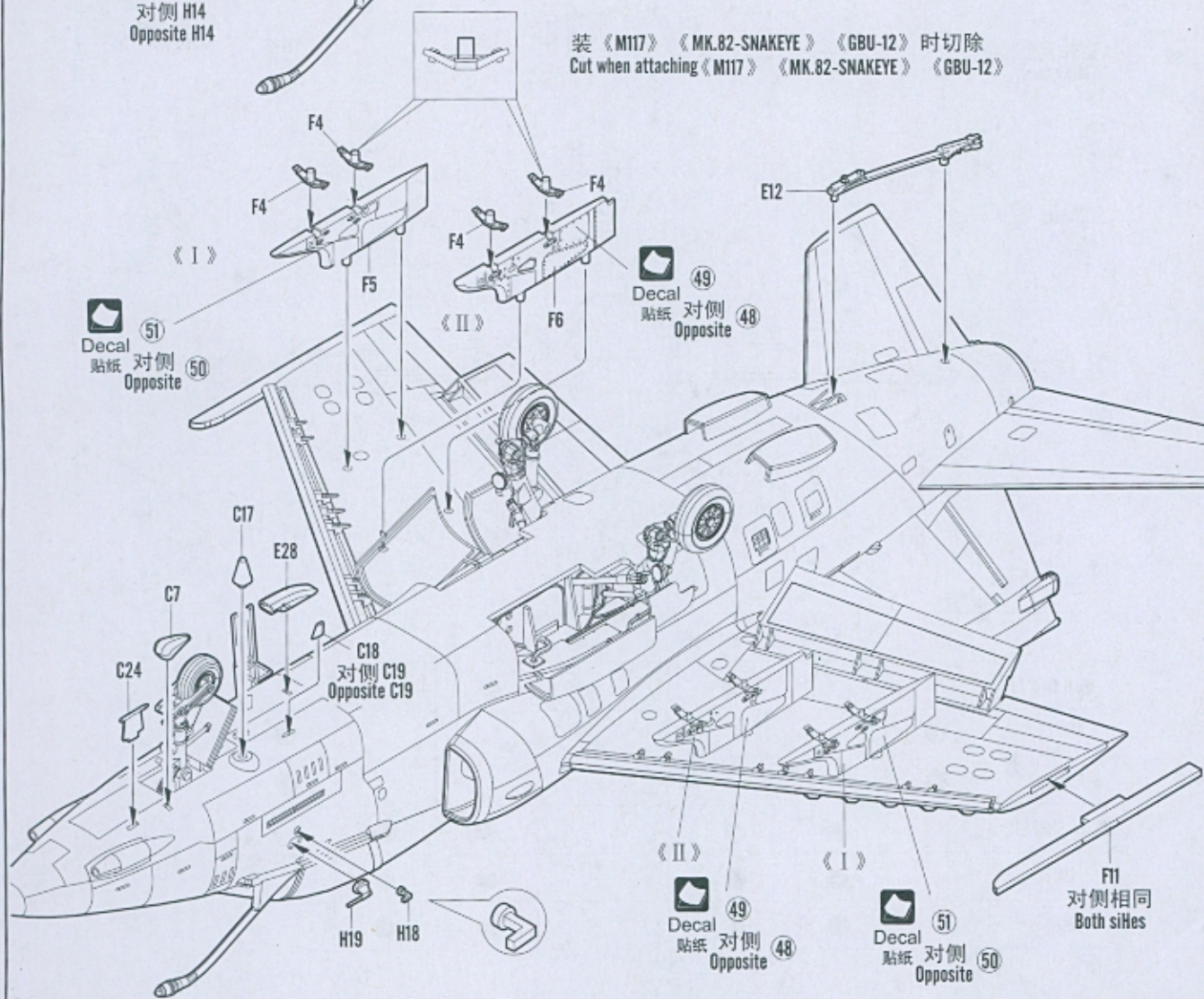
E29

E27

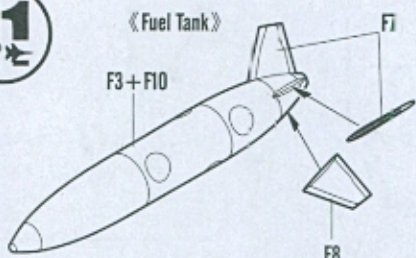
E17



装《M117》《MK.82-SNAKEYE》《GBU-12》时切除  
Cut when attaching《M117》《MK.82-SNAKEYE》《GBU-12》

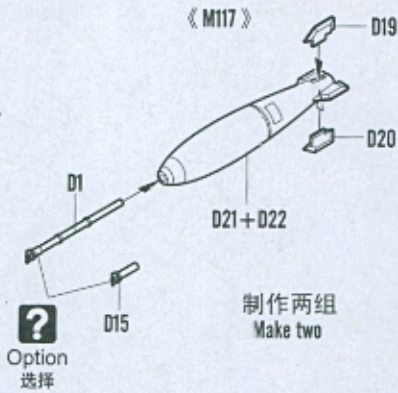


**11**  
STEP



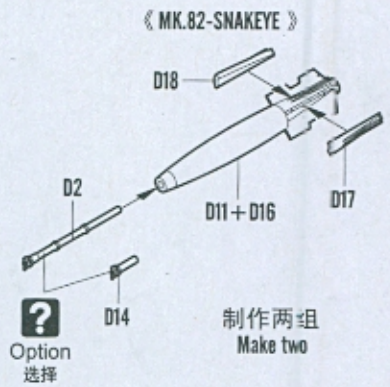
制作两组  
Make two

对侧相同  
Both sides



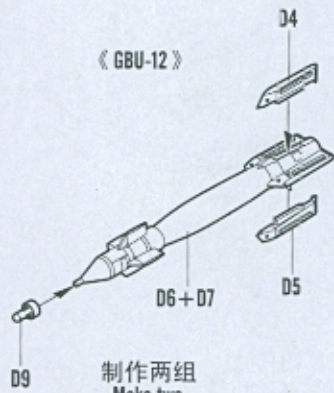
制作两组  
Make two

Option  
选择



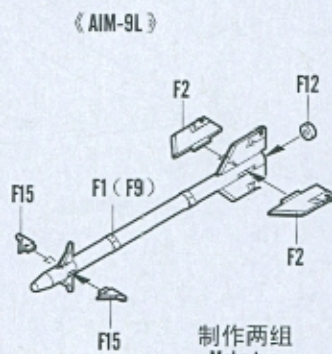
制作两组  
Make two

Option  
选择



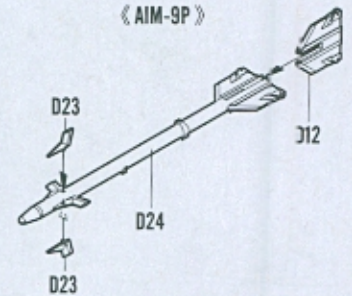
《GBU-12》

制作两组  
Make two



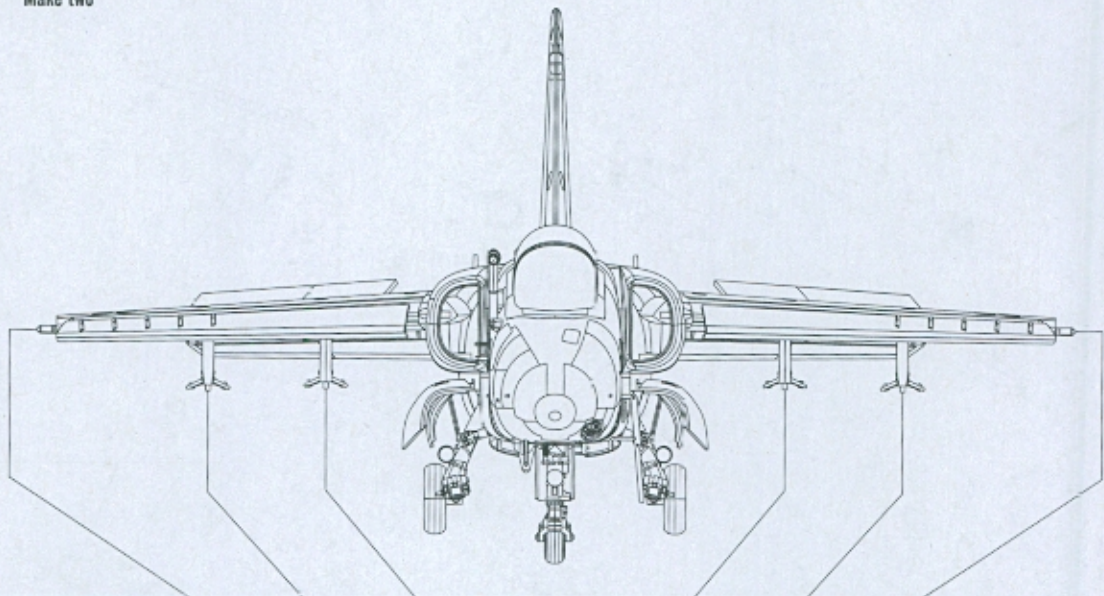
《AIM-9L》

制作两组  
Make two



《AIM-9P》

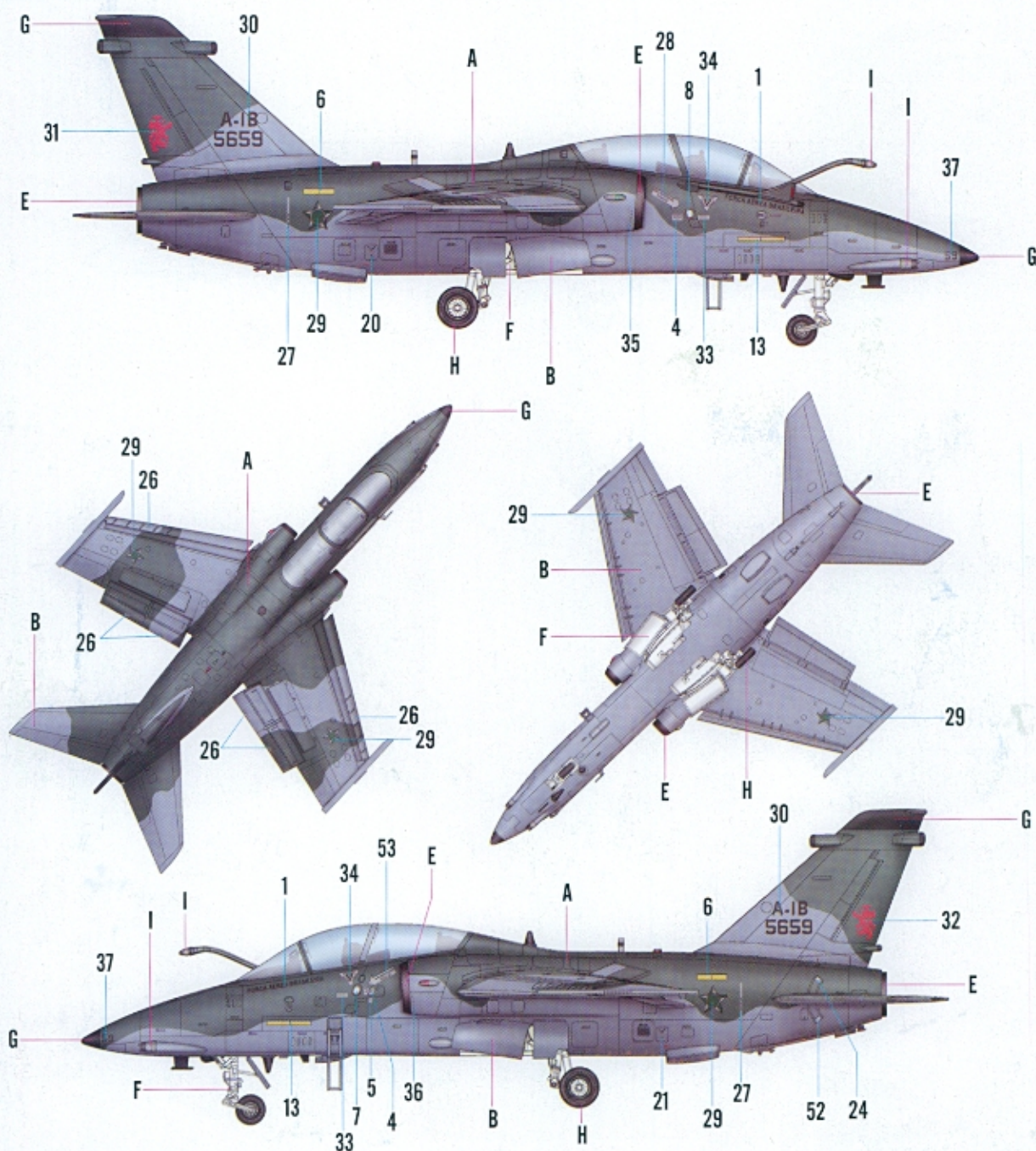
制作两组  
Make two



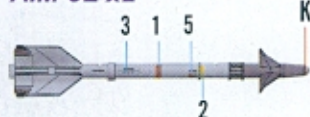
	1	2	3	4	5	6
Fuel Tank			●	●		
AIM-9L	●					●
AIM-9p	●					●
MK.82-SNAKEYE		●	●	●	●	
M117		●	●	●	●	
GBU-12		●	●	●	●	



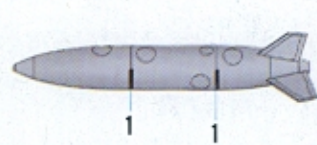
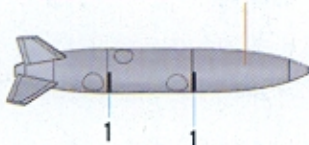
## II A-1B 1<sup>o</sup>/10<sup>o</sup> G.Av.-Base Aerea



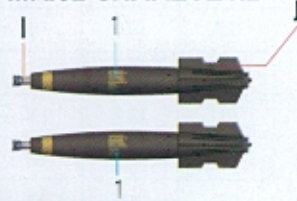
AIM-9L x2



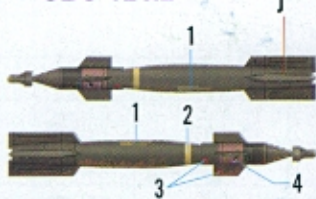
FUEL TANK x2



MK.82-SNAKEYE x2

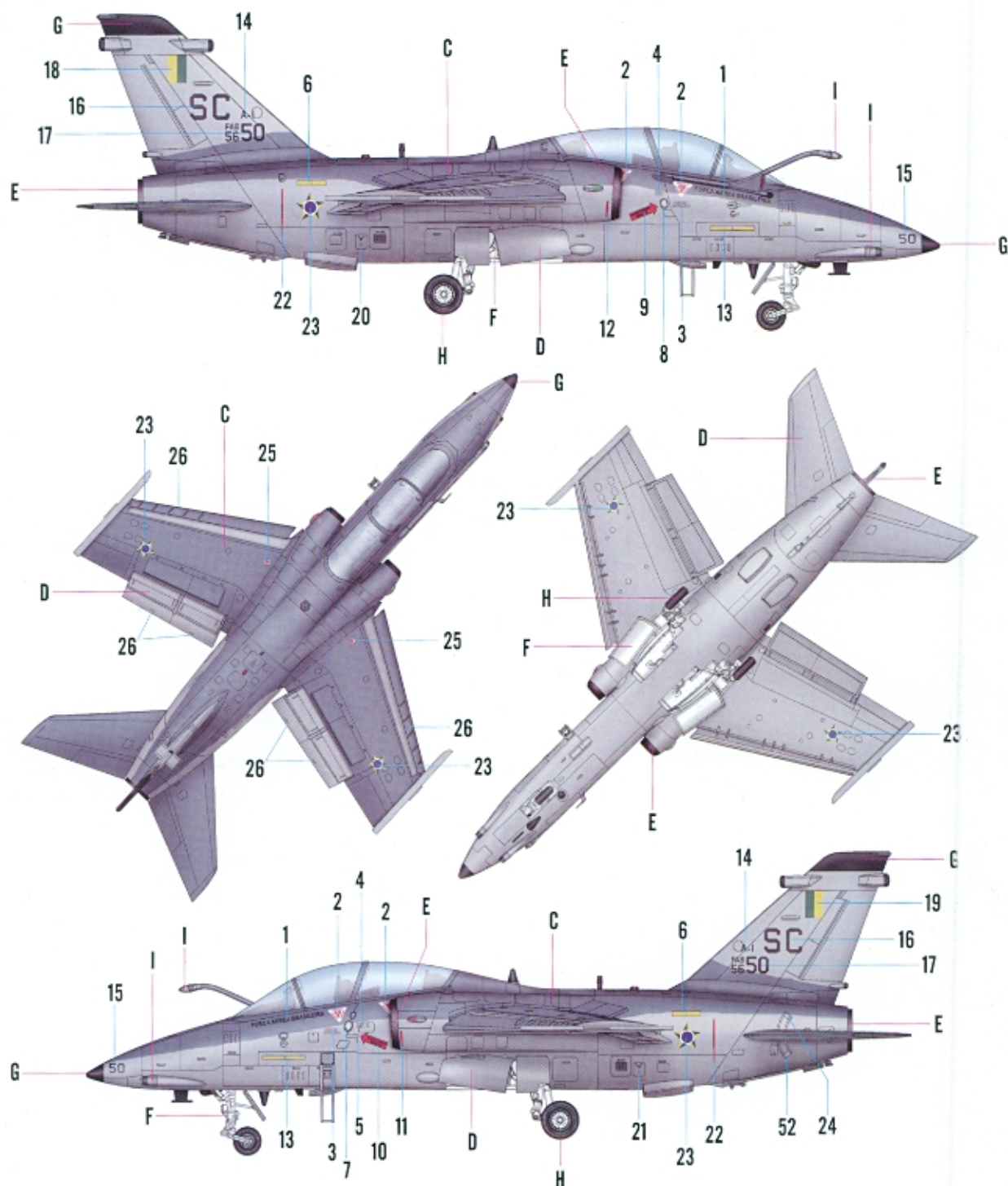


GBU-12 x2



Color	Mr.Hobby	Vallejo	Model Master	Tamiya	Humbrol
<b>G</b> 消光黒 Flat Black	H [12] 33	950	1749	XF1	33
<b>H</b> 胎黑色 Tyre Black	H [77] 137	--	--	--	--
<b>I</b> 银色 Silver	H [8] 8	997	1546	X11	11
<b>J</b> 橄欖色 Olive Drab(2)	H [78] 38	--	--	--	--
<b>K</b> 烟灰色 Smoke Blue	H [95] 101	--	--	--	--

I A-1B 16° G.Av.-Base Santa Cruz



M117 x2



AIM-9P x2



	Color	Mr.Hobby	Vallejo	Model Master	Tamiya	Humbrol
A	緑色 Dark Green	H 302 302	895	1764	XF26	149
B	灰色 Medium Grey	H 308 308	870	1725	XF20	--
C	灰色 Dark Compass Ghost Grey	H 307 307	--	1741	XF22	128
D	灰色 Grey	H 308 308	990	1728	XF19	127
E	烧铁色 Burnt Iron	H 76 61	863	1795	X10	53
F	白色 Flat White	H 11 62	951	1768	XF2	34