

# M1070 & M1000 W/D9R

## U.S. 70 TON TANK TRANSPORTER W/ Bulldozer



JASON 2018

# READ BEFORE ASSEMBLY

## CAUTION

- Read carefully and fully understand the instructions before commencing assembly. A supervising adult should also read the instructions if a child assembles the model.
- When assembling this kit, tools including knives used. Extra care should be taken to avoid personal injury.
- Keep out of reach of small children. Children must not be allowed to suck any part, or pull vinyl bag over their heads.



Optional Instant Glue for Metal

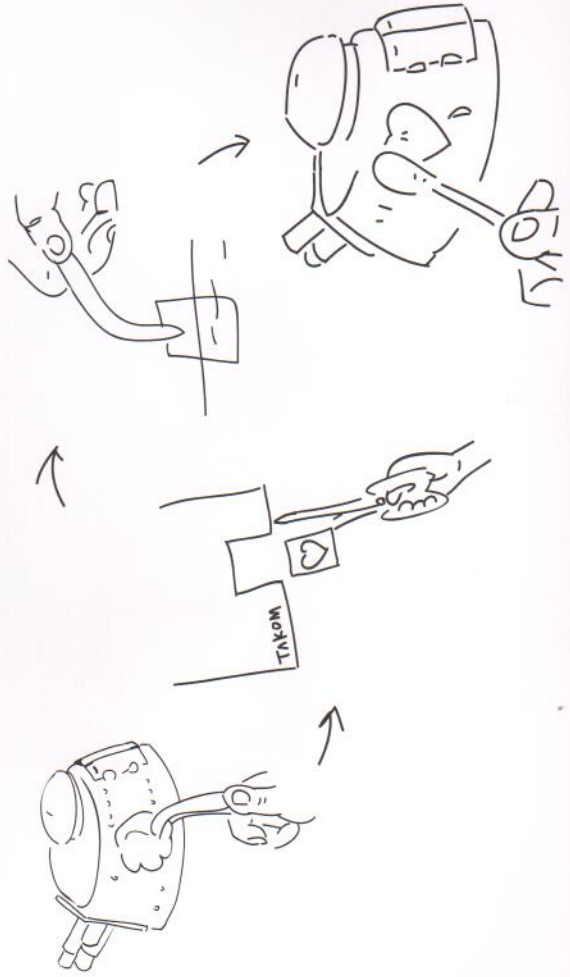


Color info and profiles by Mig Jimenez

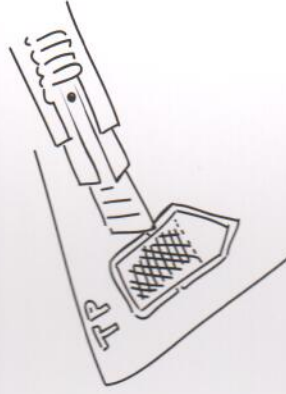
A.MIG.036	Dark Tracks	A.MIG.084	Crystal Glass	A.MIG.192	Polished Metal
A.MIG.105	Silver	A.MIG.082	Crystal Green	A.MIG.048	Mat Black
A.MIG.039	Crystal Red	A.MIG.035	US Modern Vehicles F533446	A.MIG.033	Rubber & Tires
		A.MIG.098	Crystal Orange	A.MIG.044	NATO Green
		A.MIG.046	NATO Green	A.MIG.045	NATO Brown

## APPLYING DECALS

1. Clean the model surface with a wet cloth.
2. Cut out each decal design from sheet, and dip it in tepid water for 15~20 sec.
3. Hold the backing sheet edge and slide decal onto the model.
4. Move decal into position by wetting decal with finger.
5. Press decal gently down with a soft cloth until excess water and air bubbles are gone.



## REMOVING PE



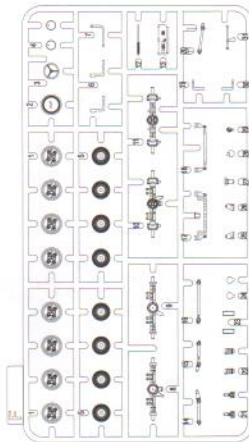
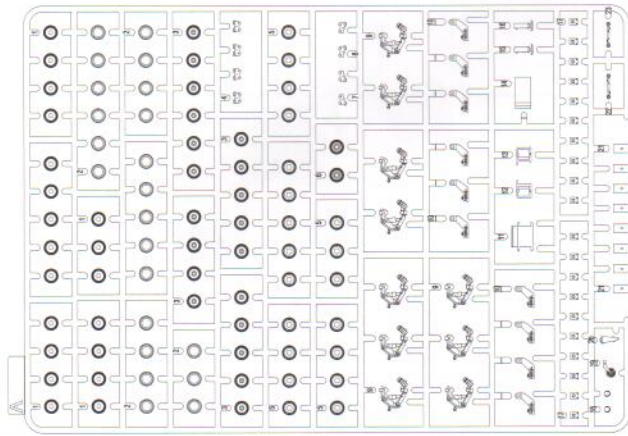
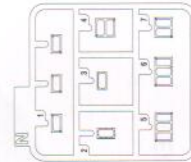
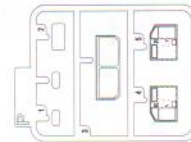
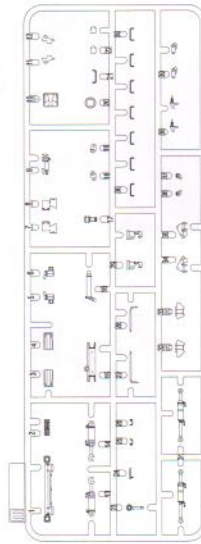
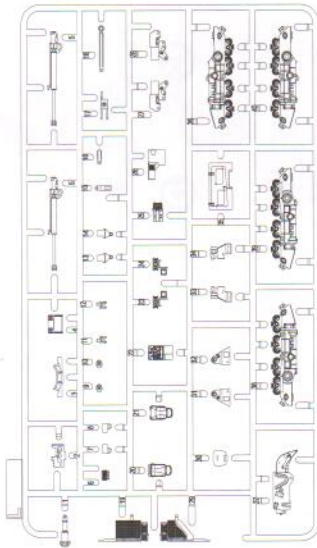
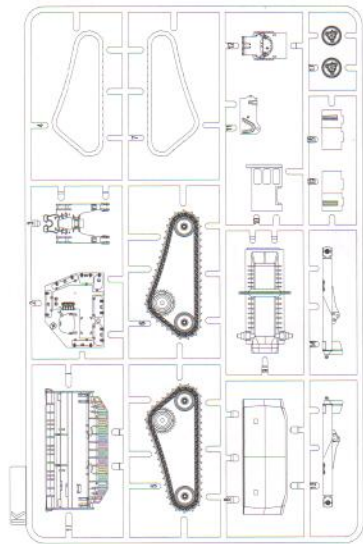
Be careful not to hurt when removing PE parts.



Finish using file.

Secure using instant glue (not included).

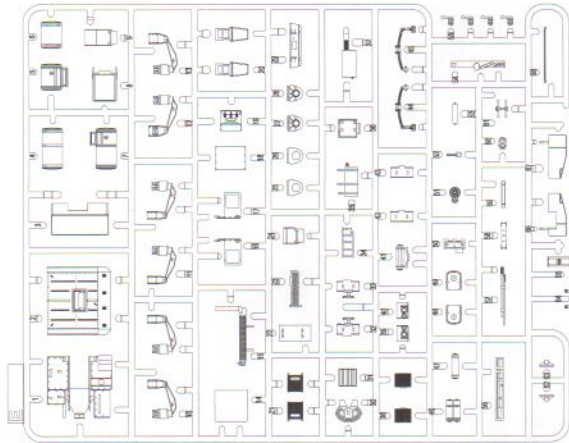
# PARTS



G



R



S



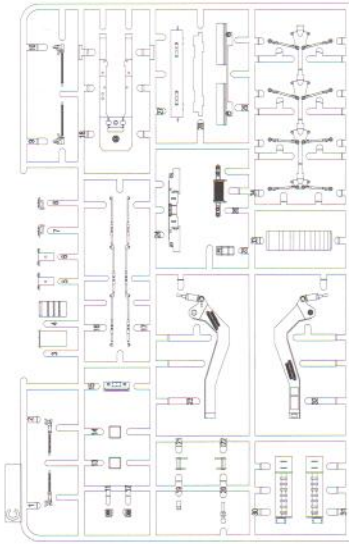
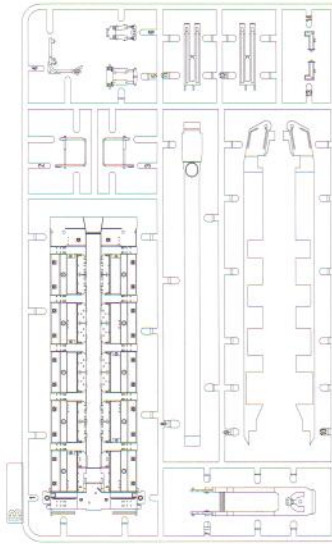
D



H



J



X9



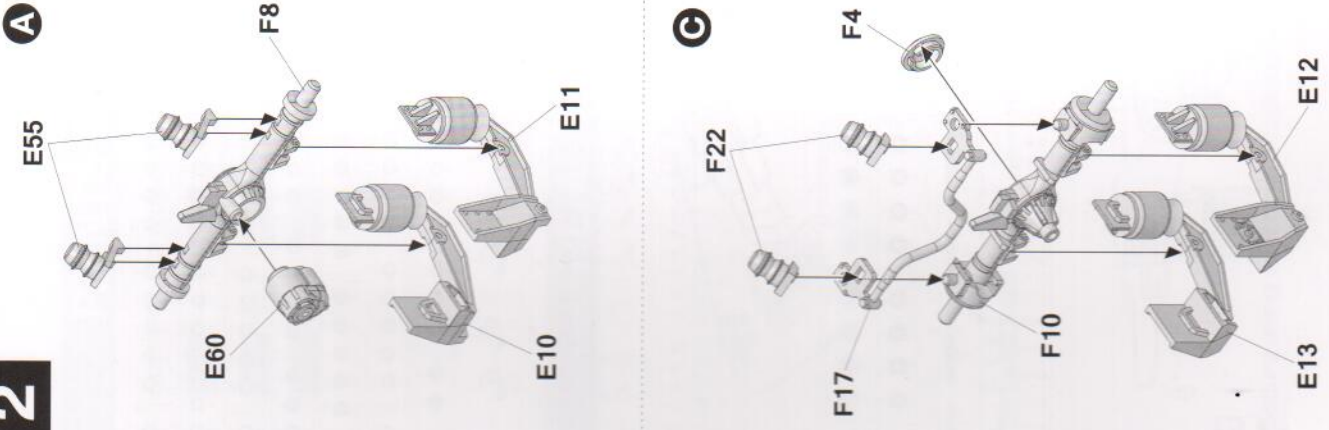
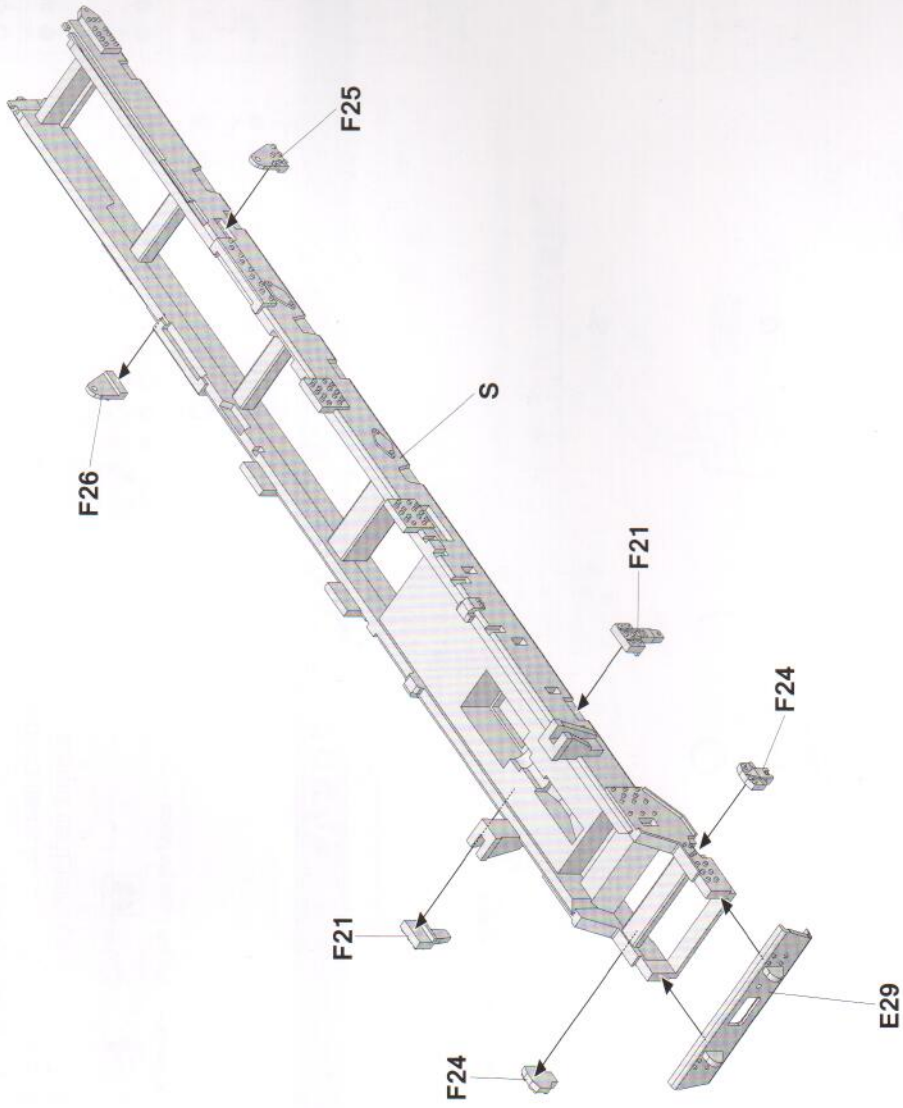
X42



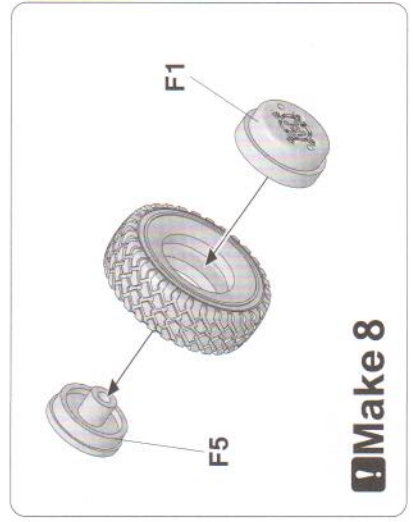
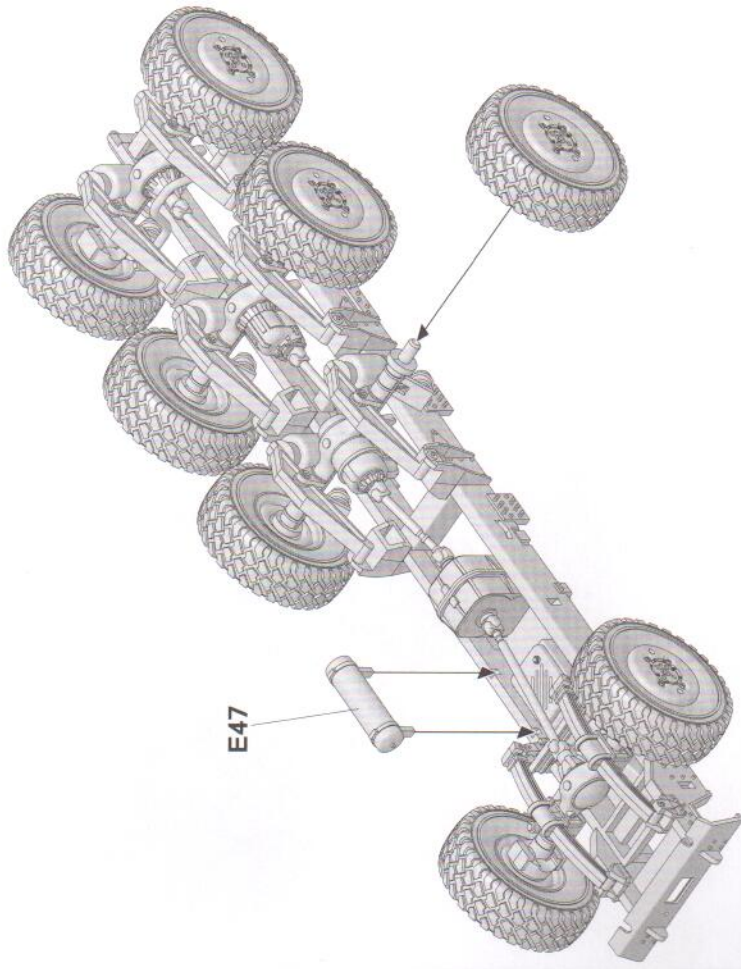
TP



Decal

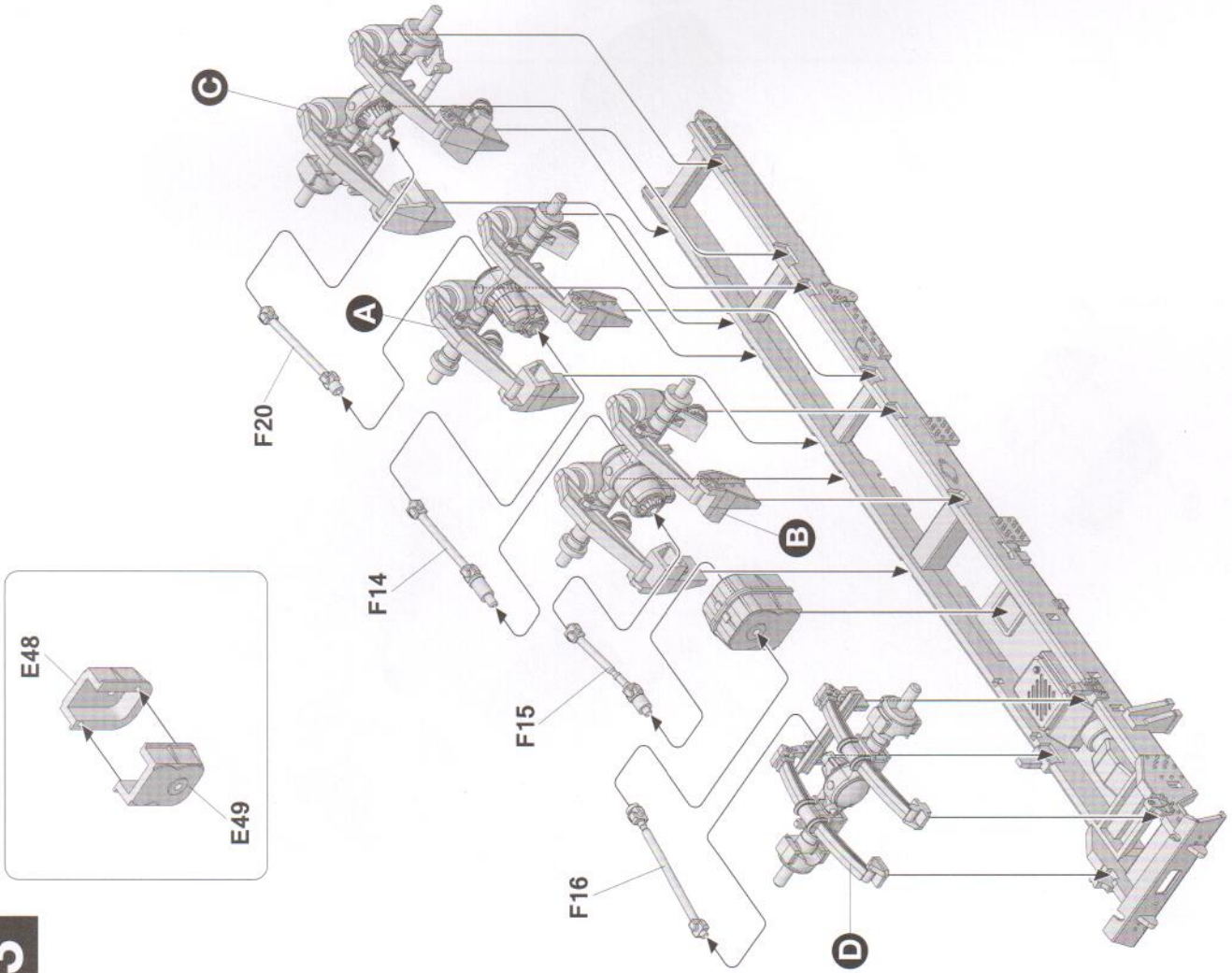


4

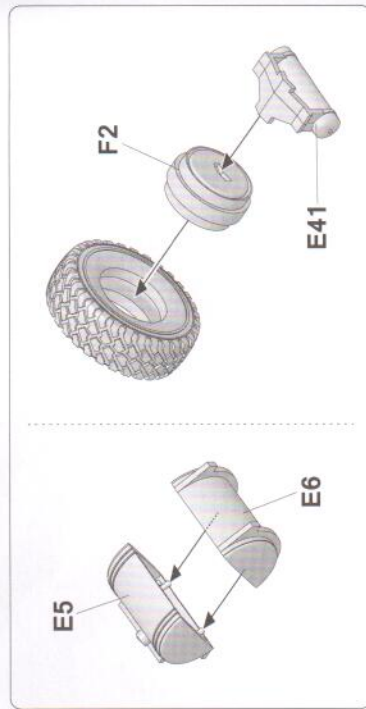
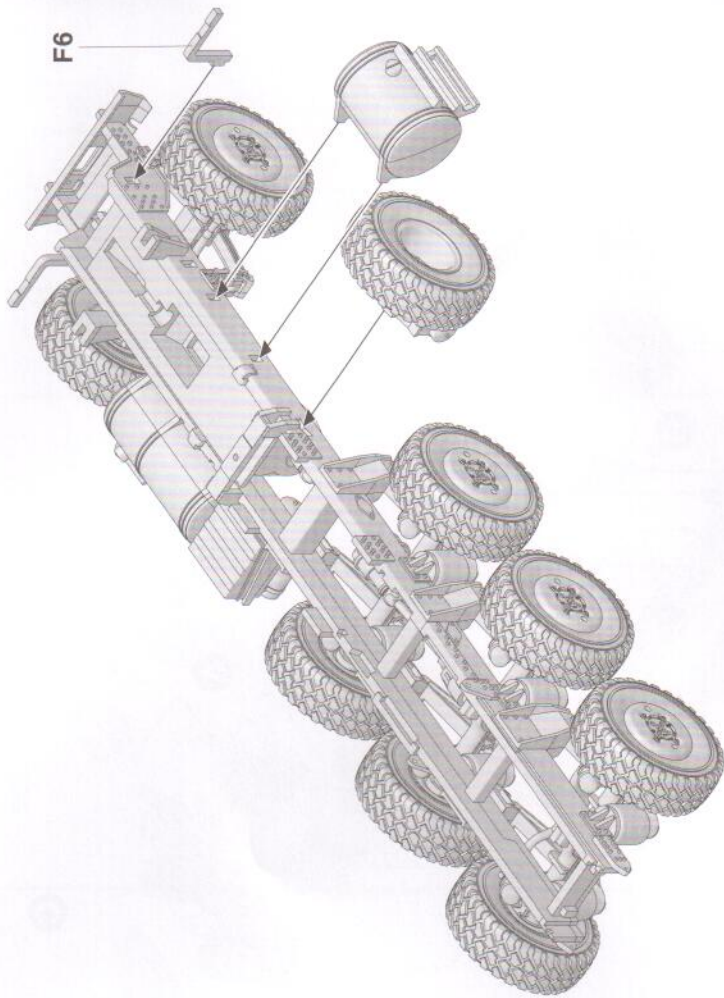
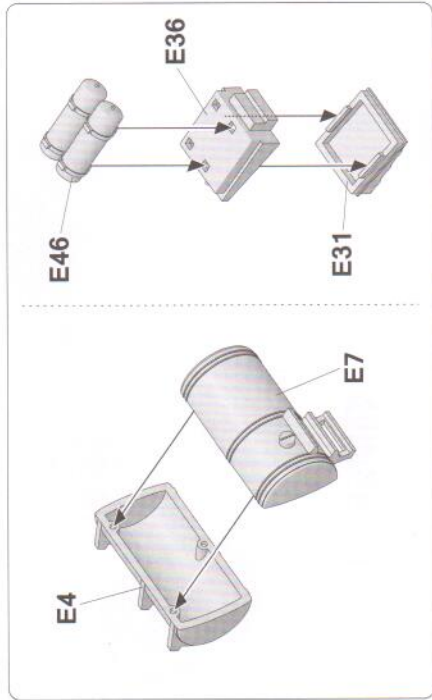
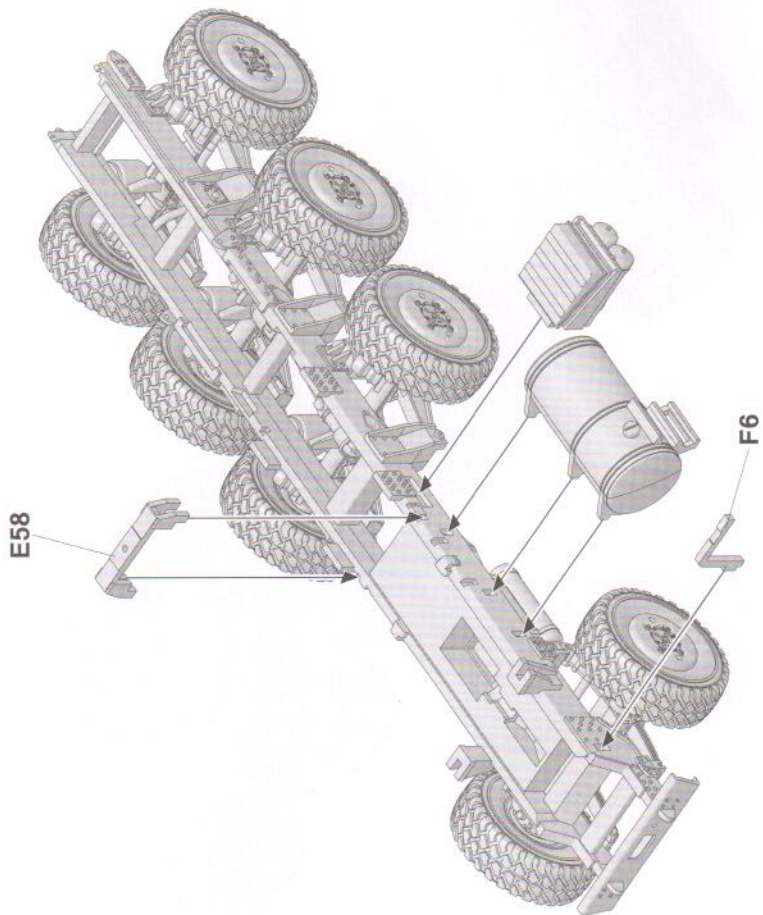


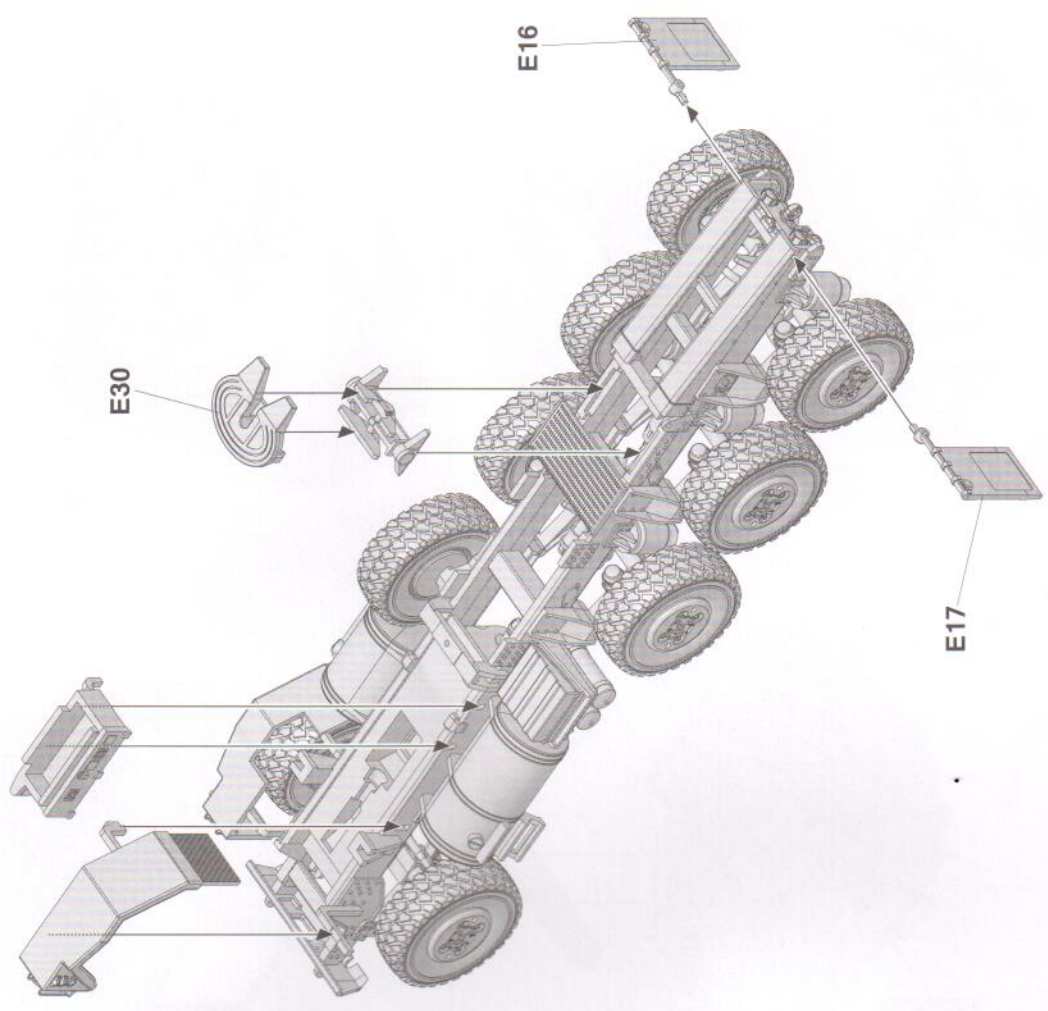
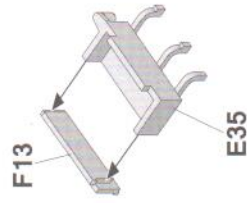
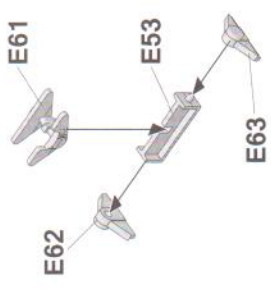
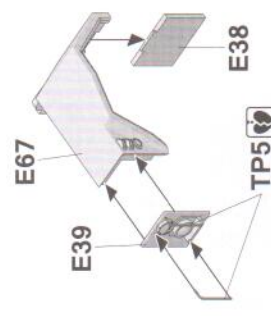
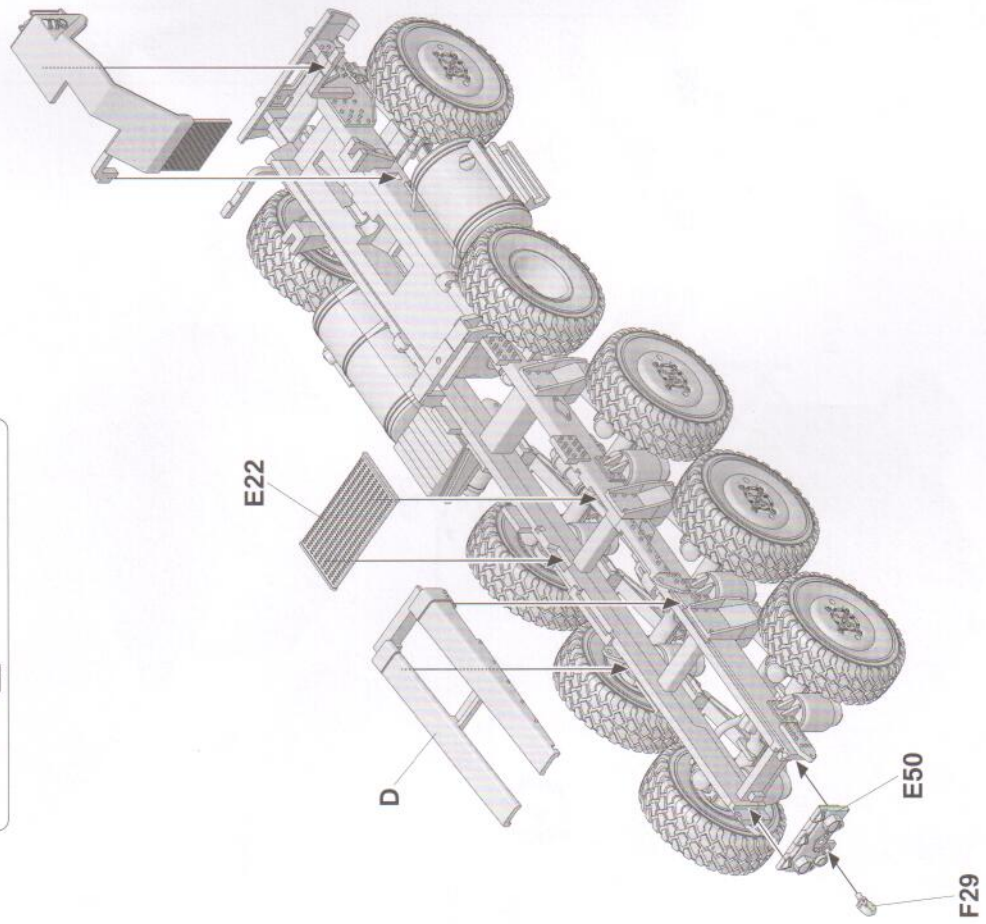
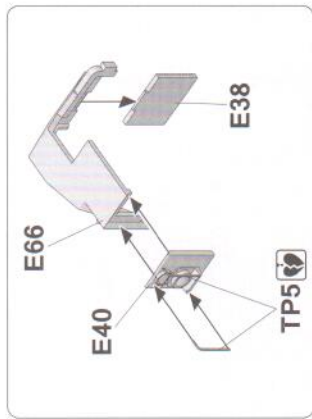
Make 8

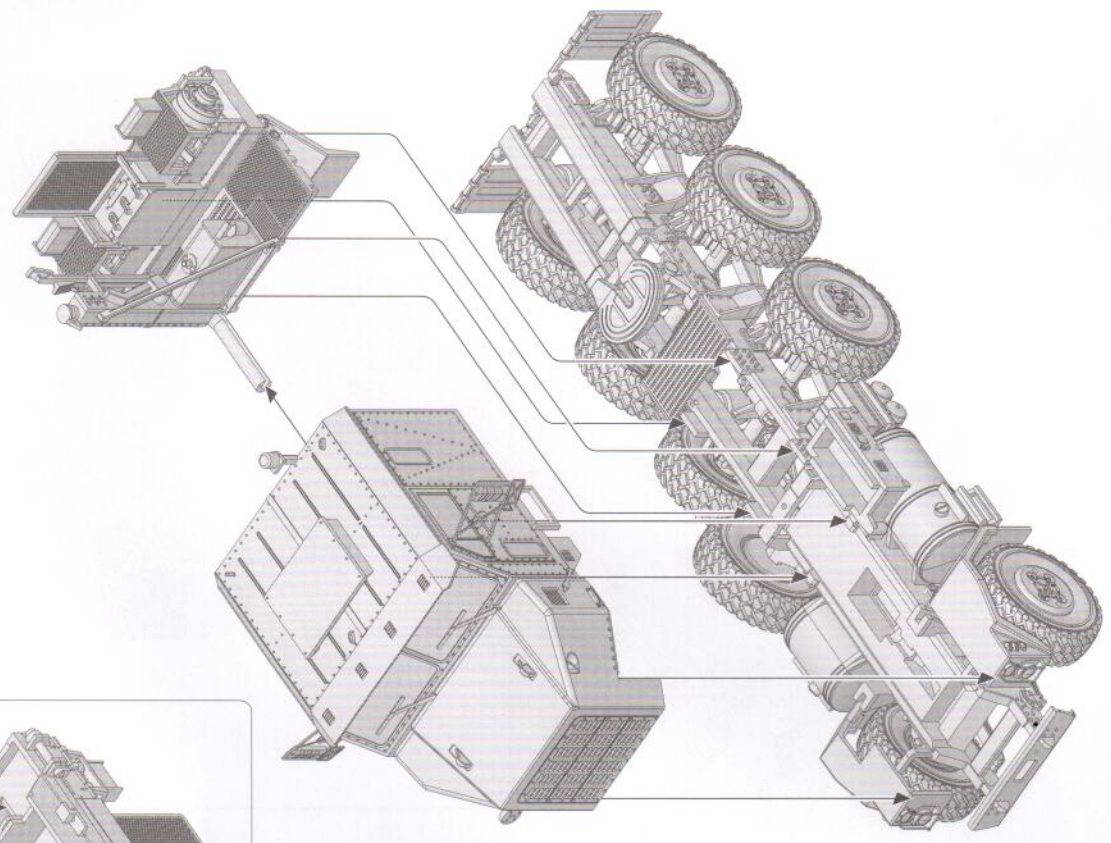
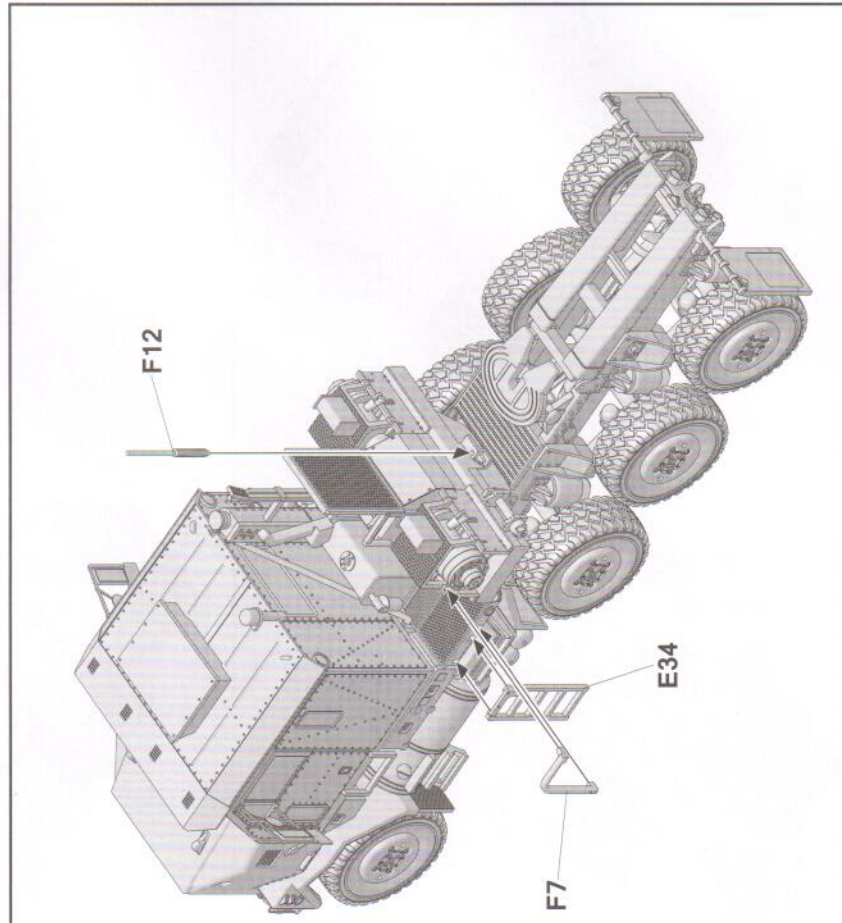
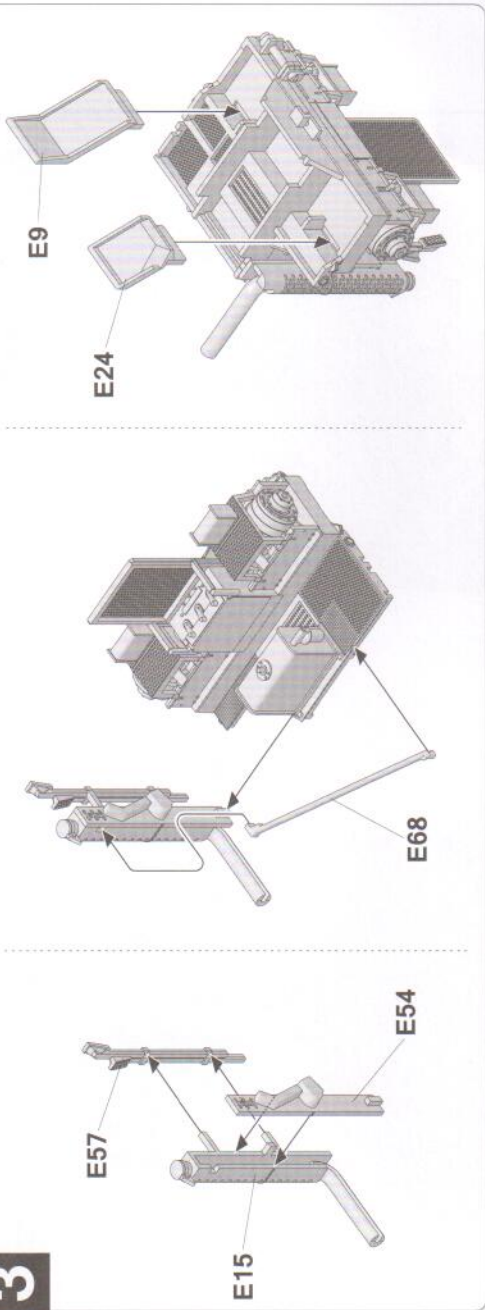
3



4

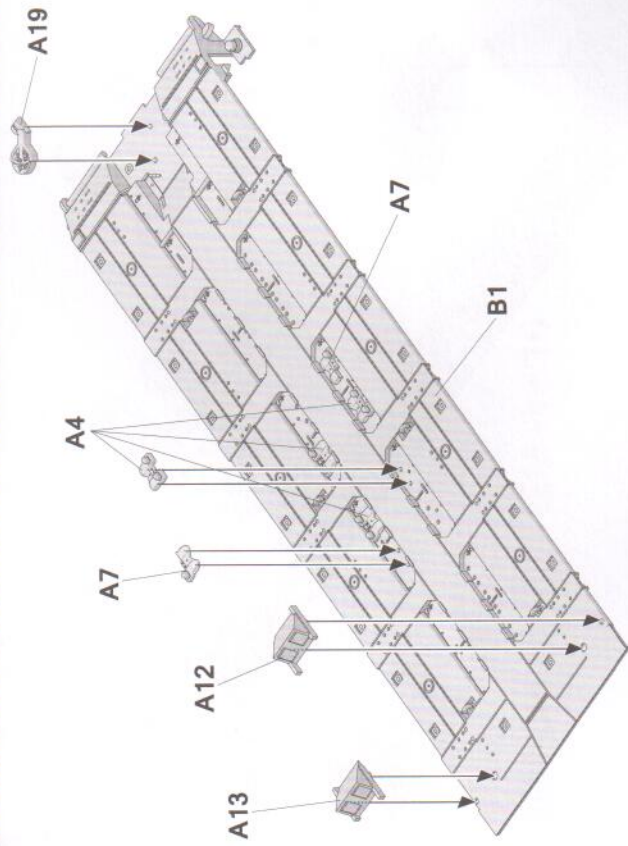




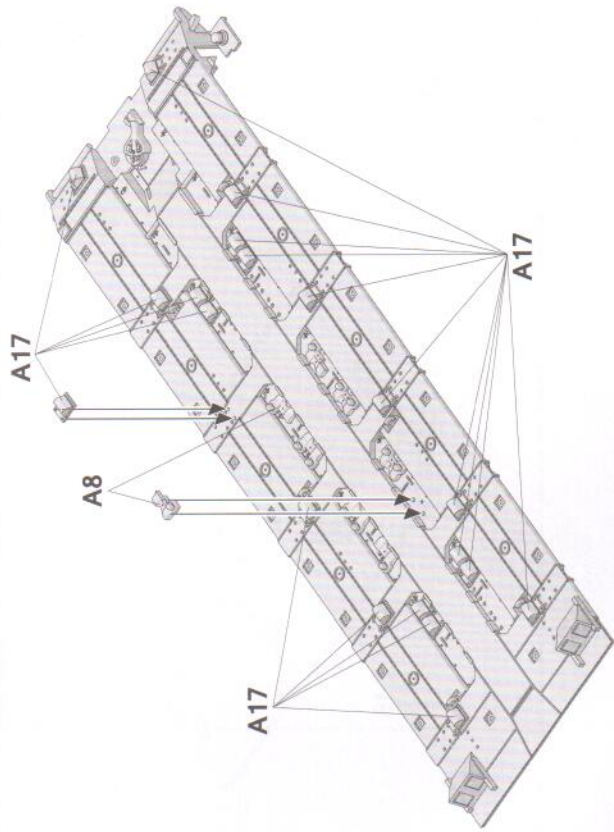




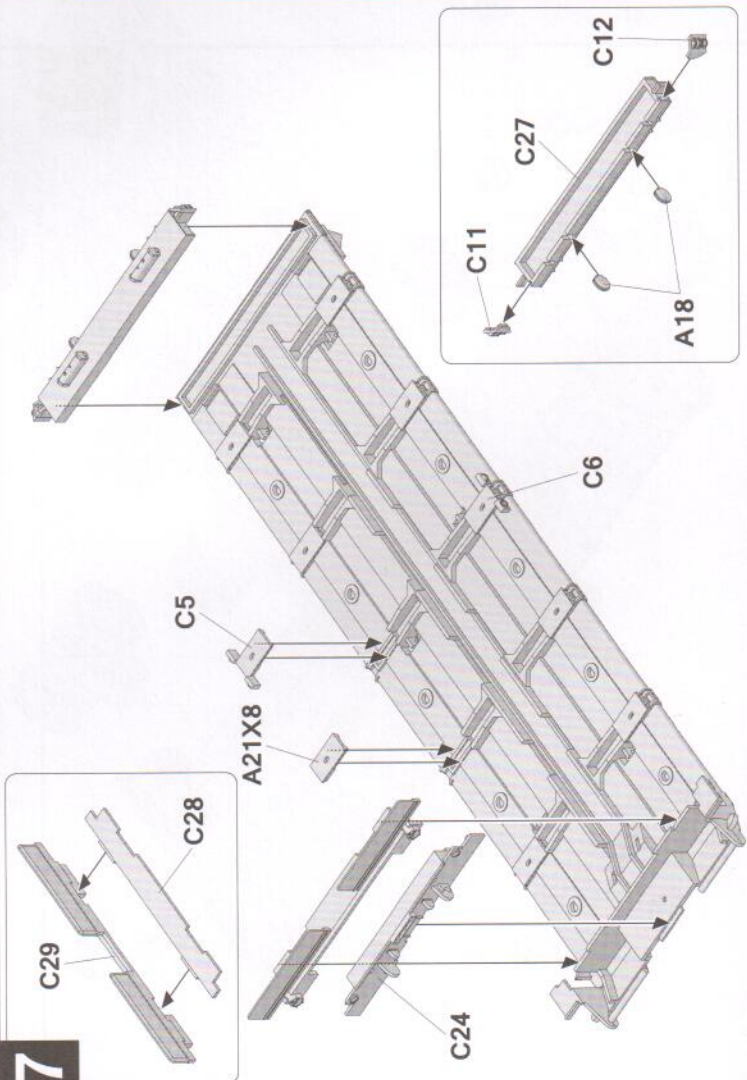
15



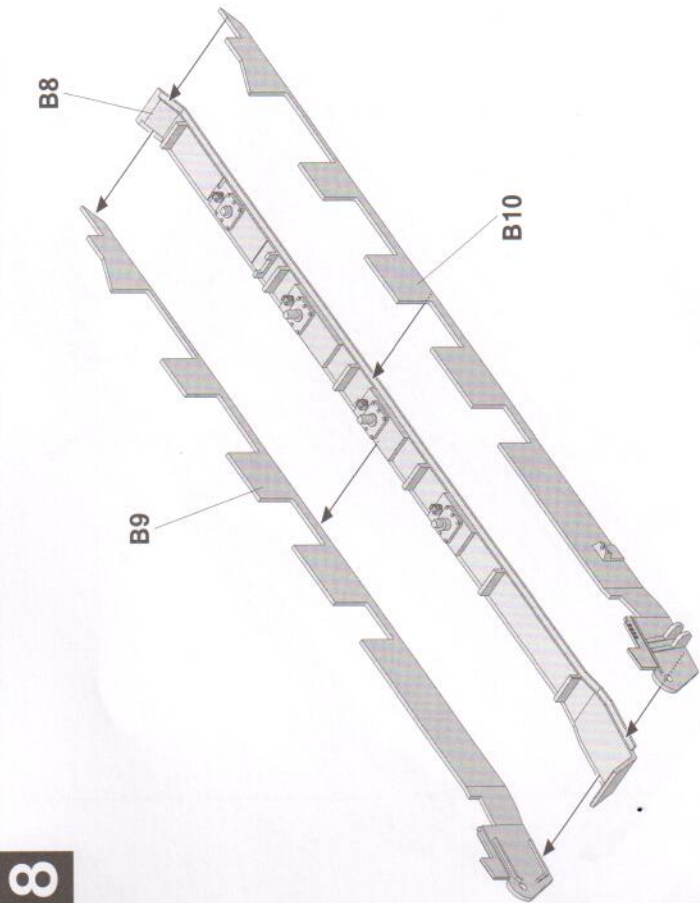
16



17

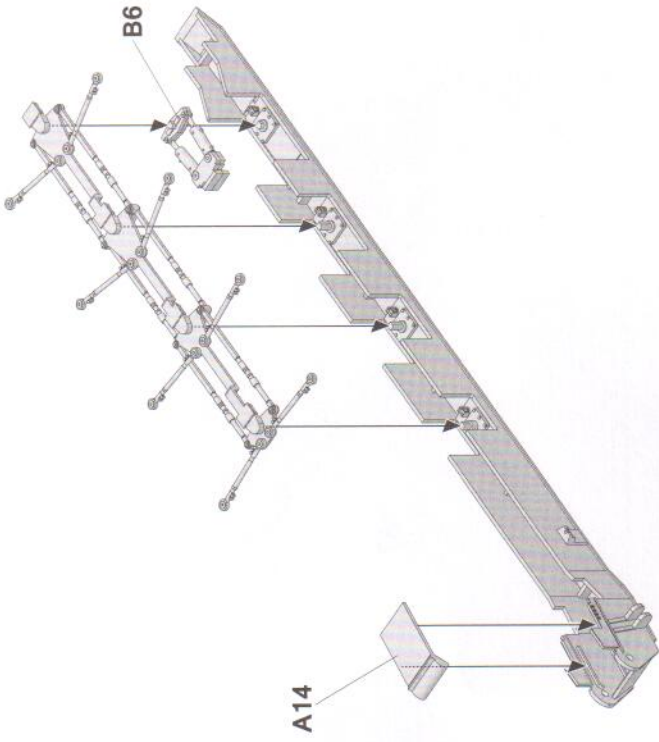
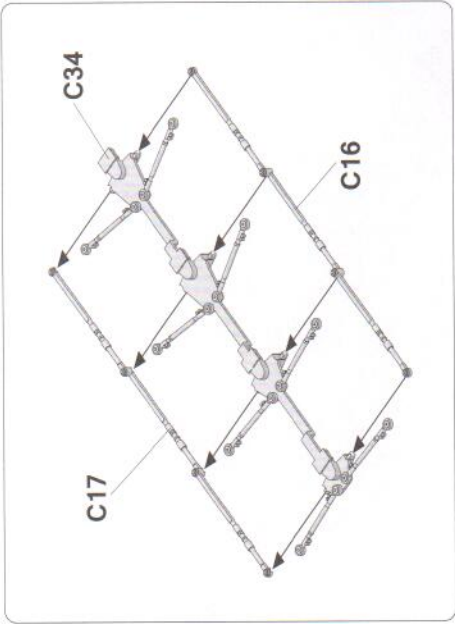


18

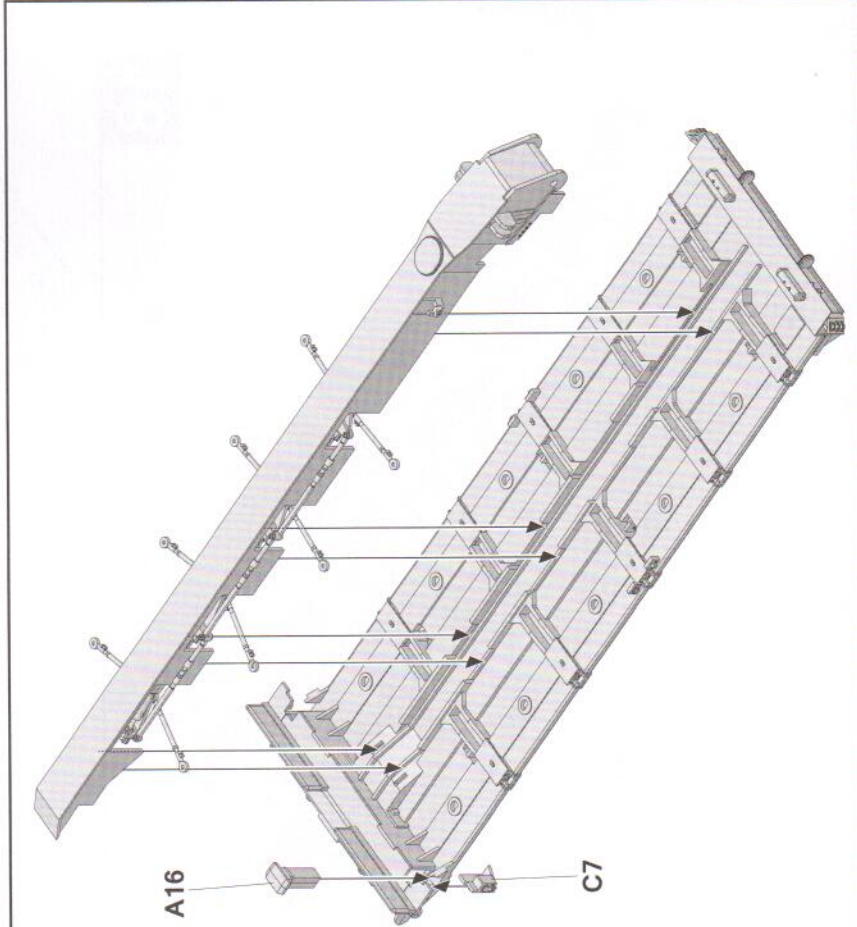


10

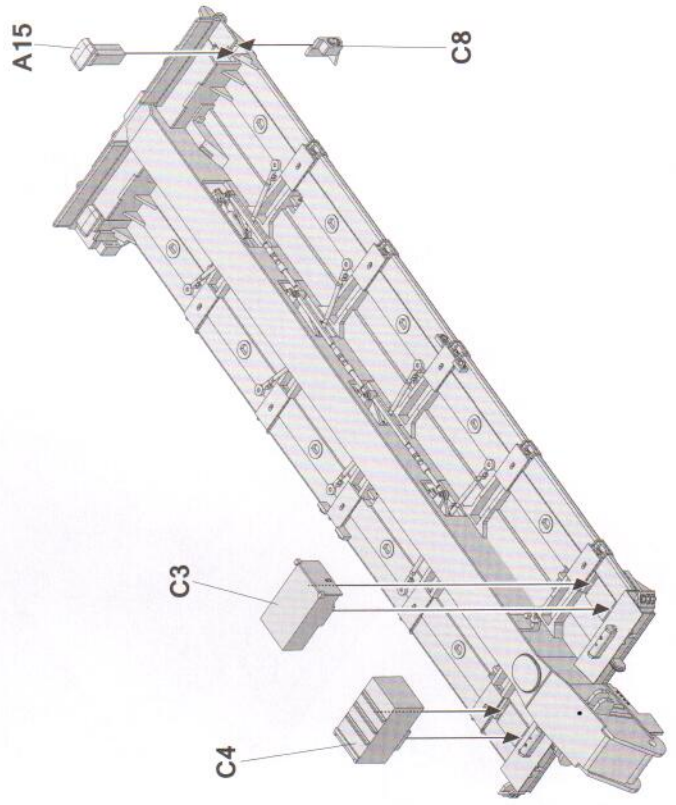
19



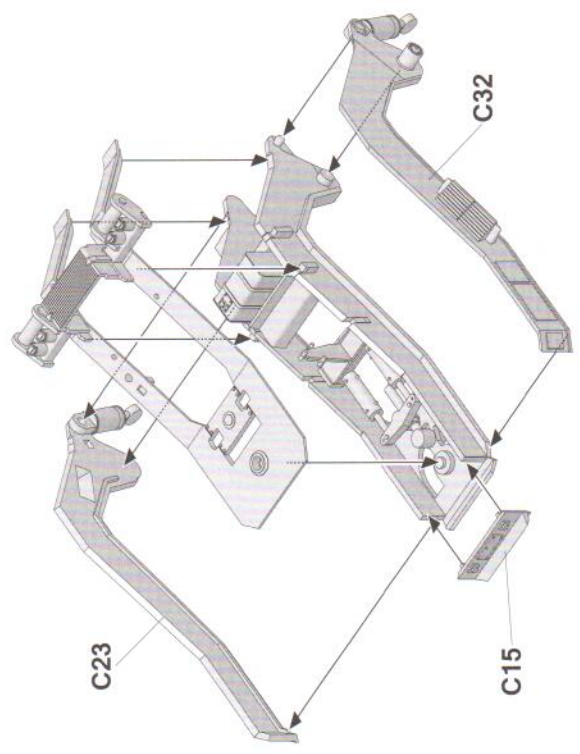
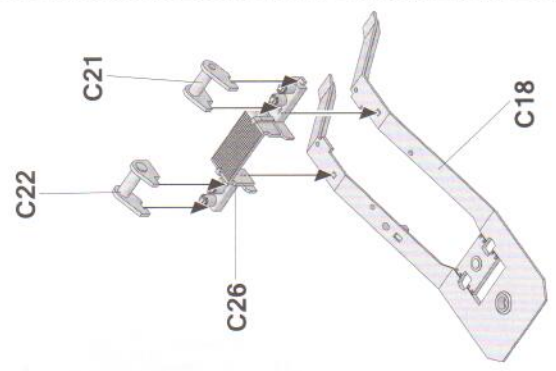
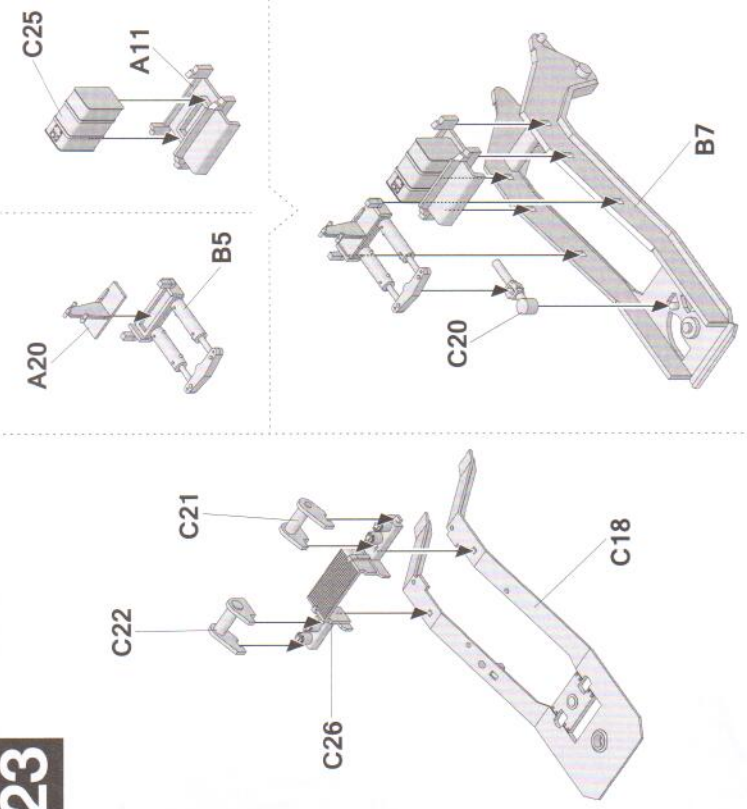
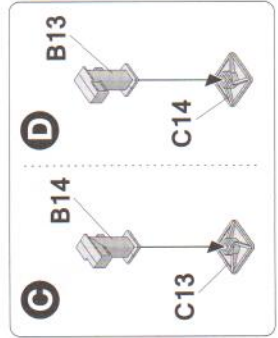
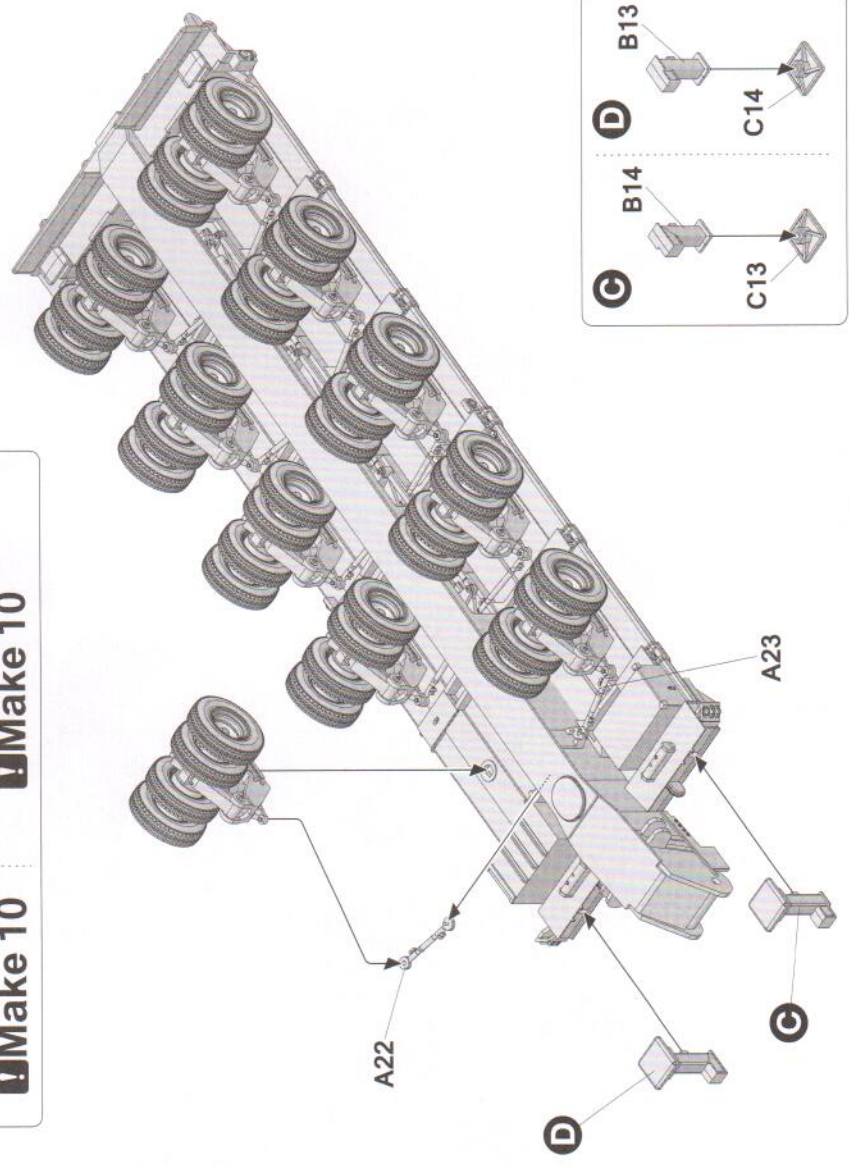
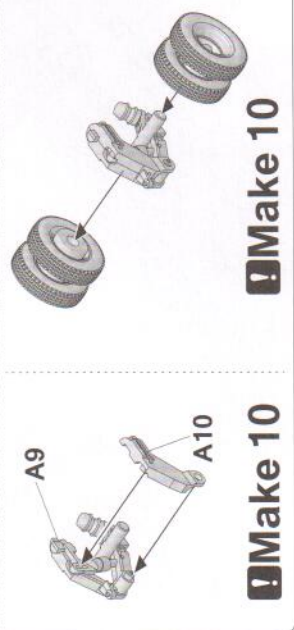
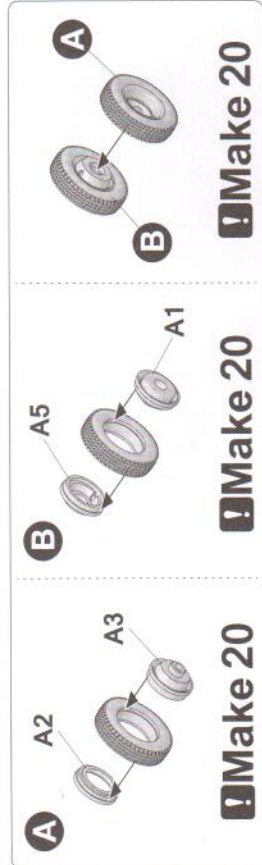
20



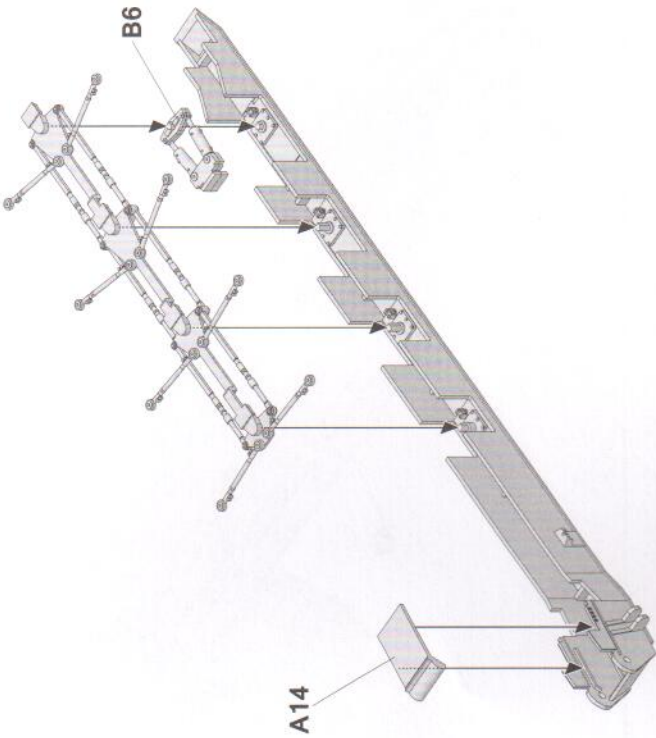
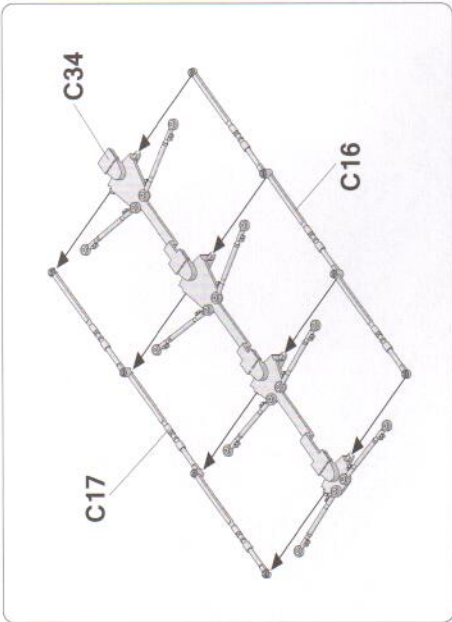
21



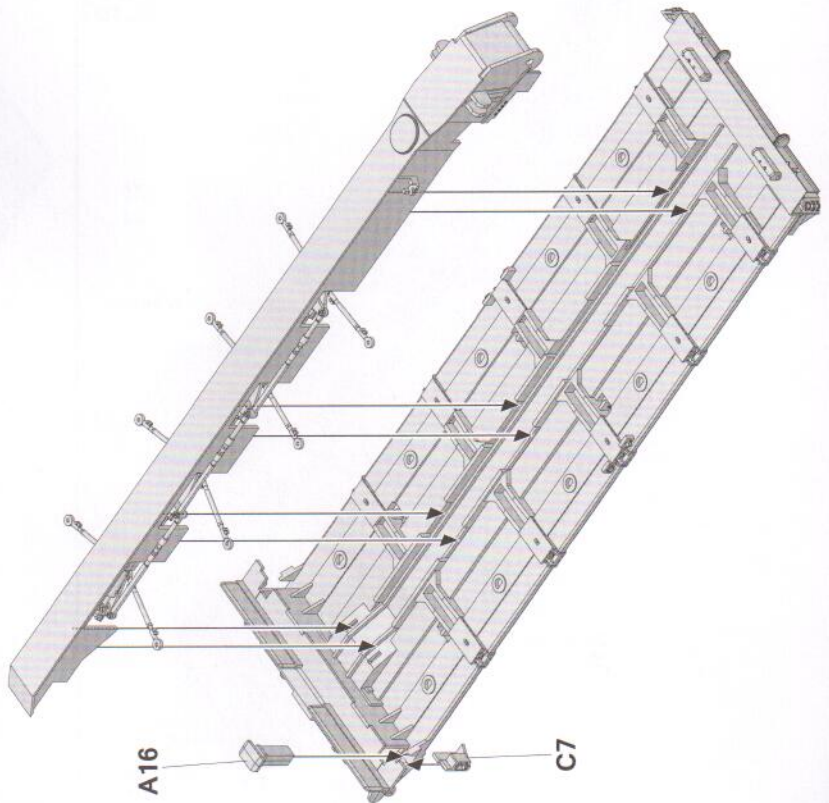
11



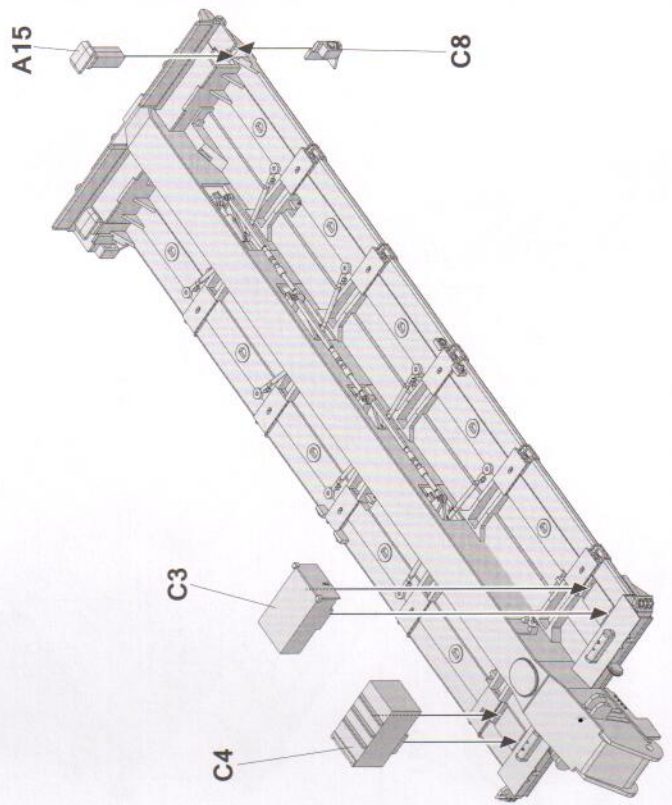
19



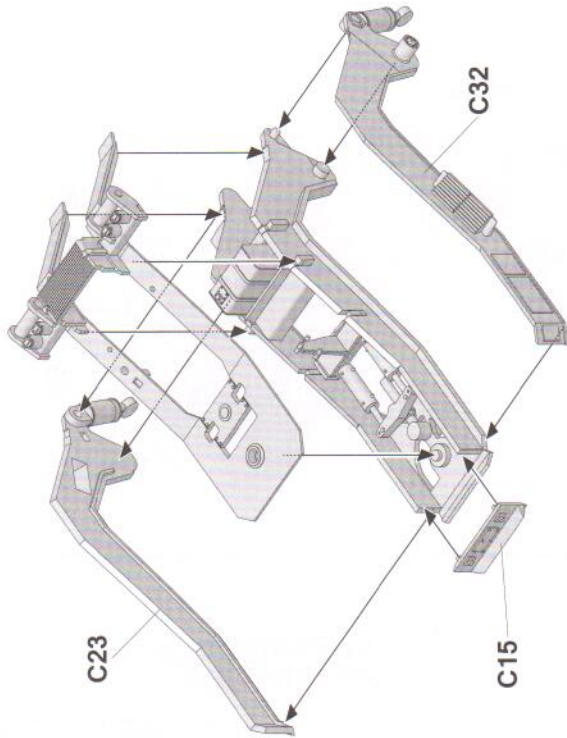
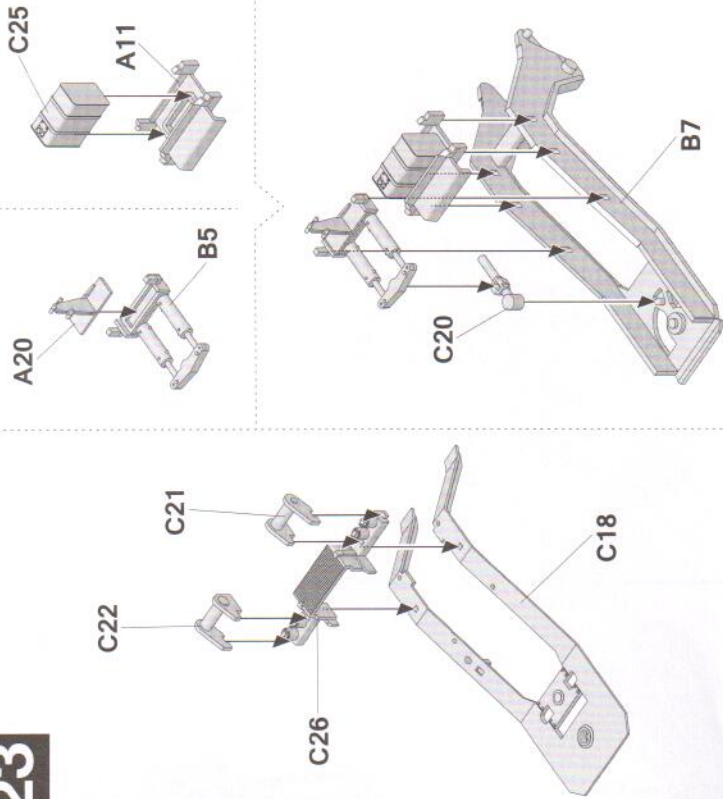
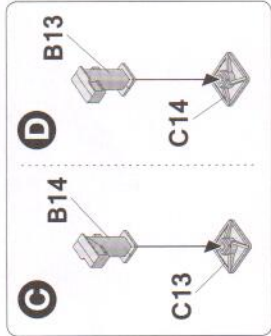
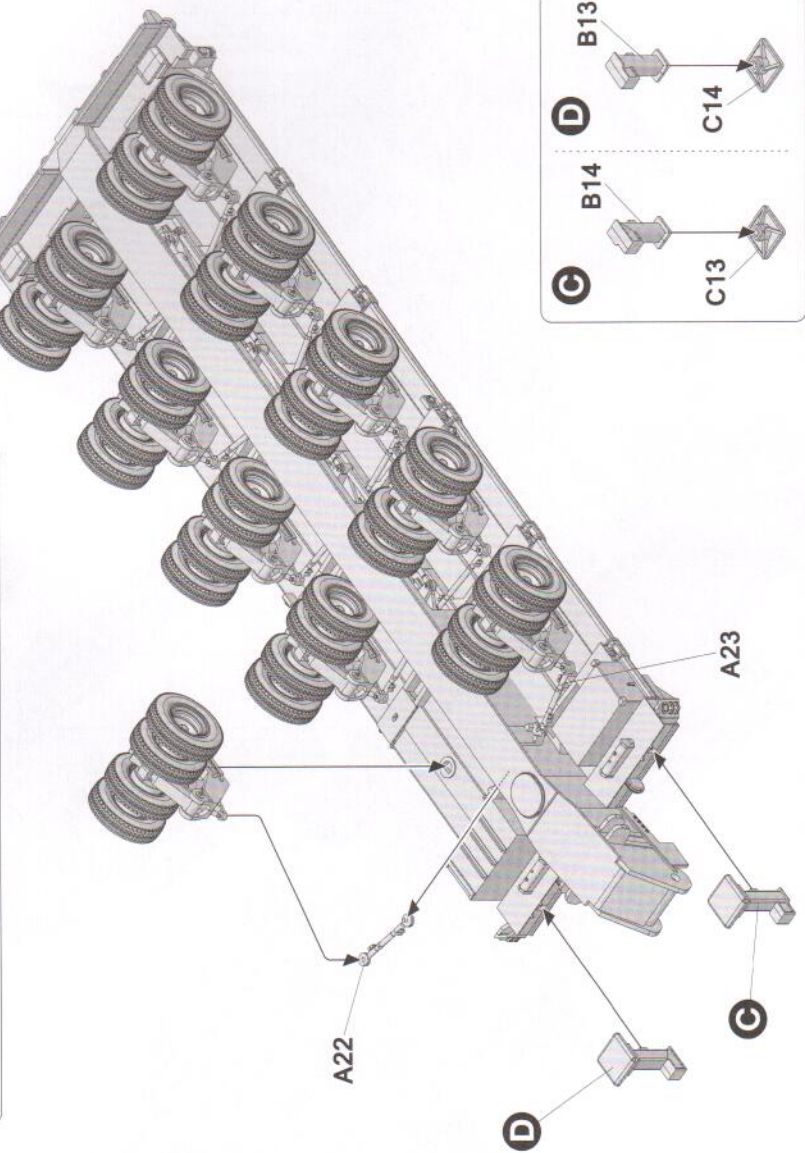
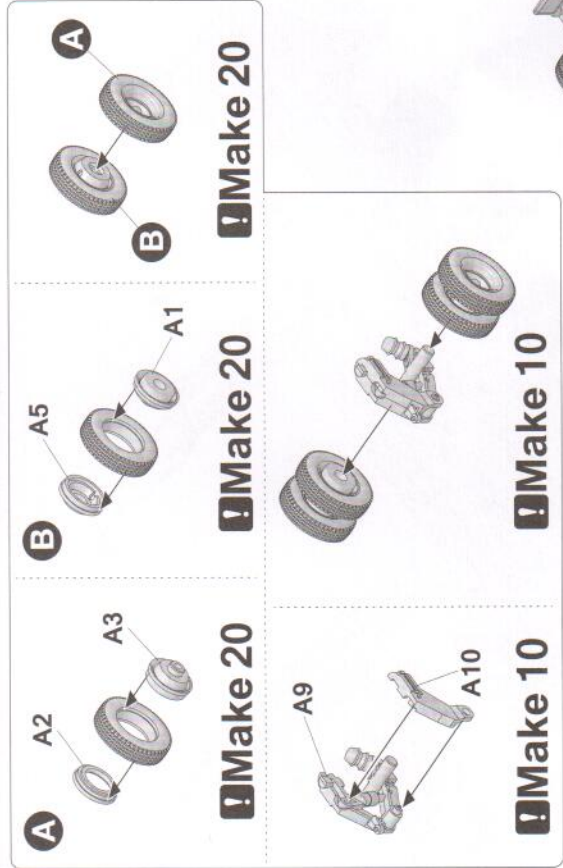
20

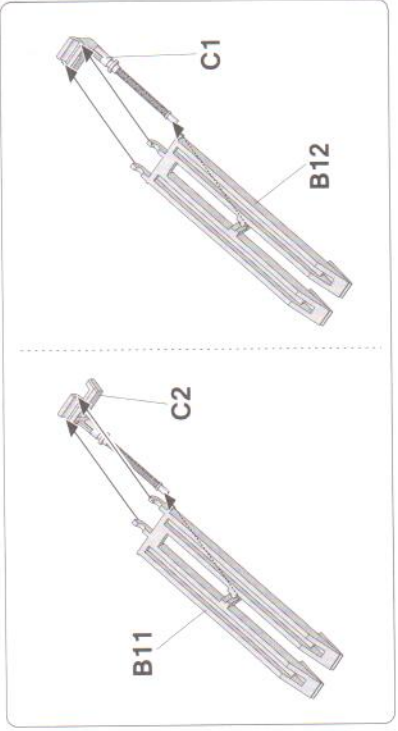
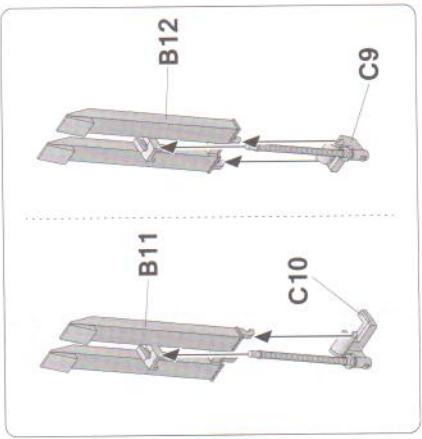
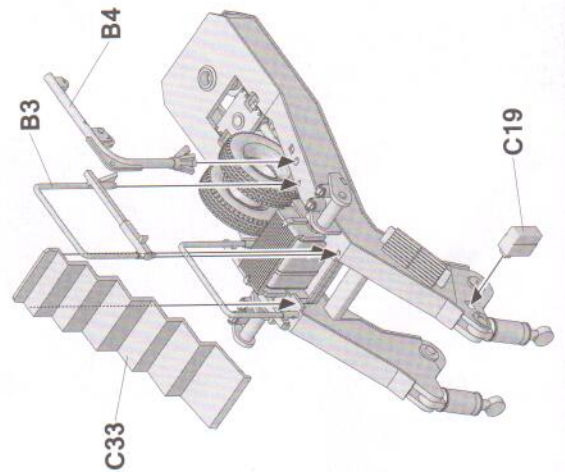
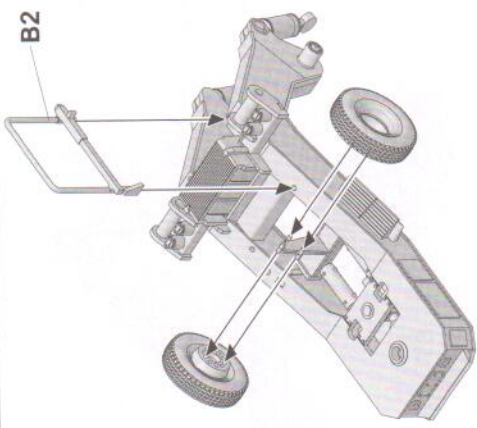


21

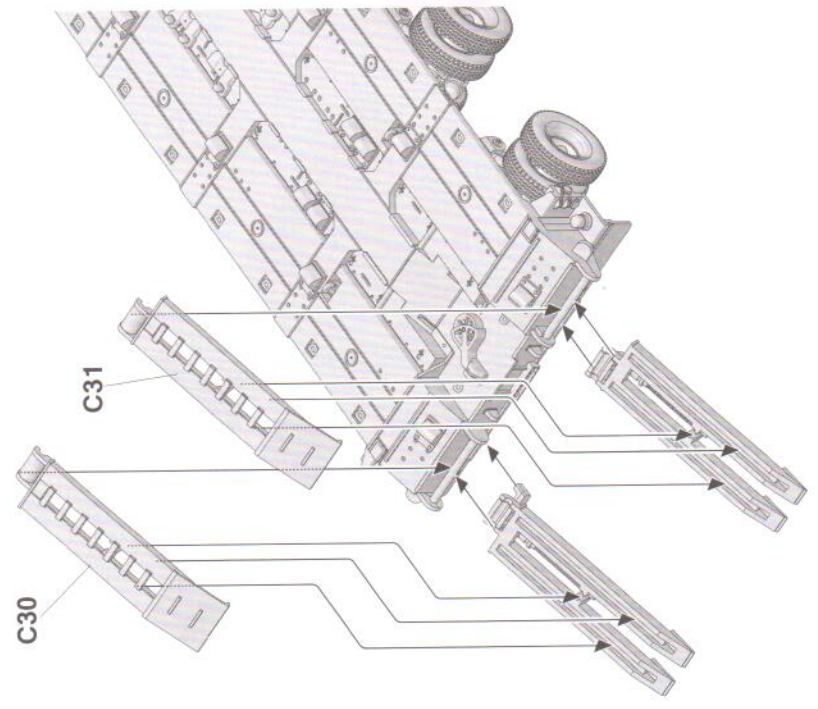
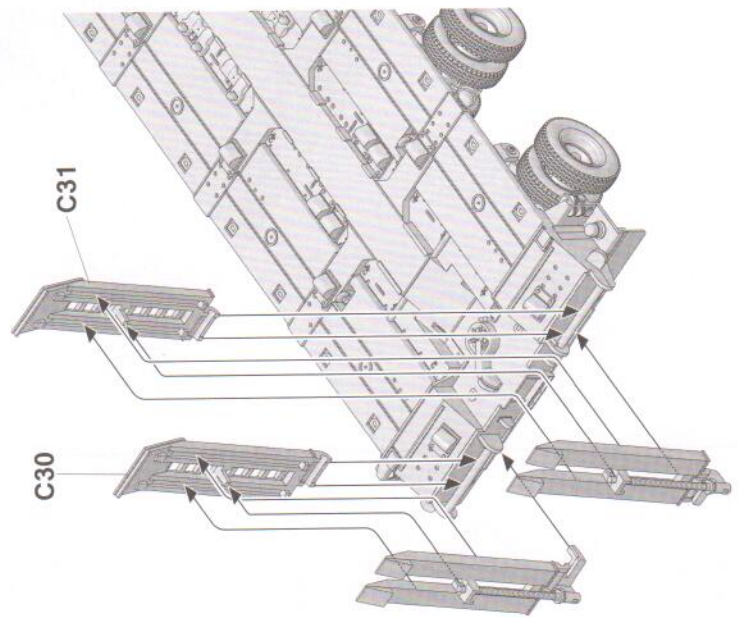


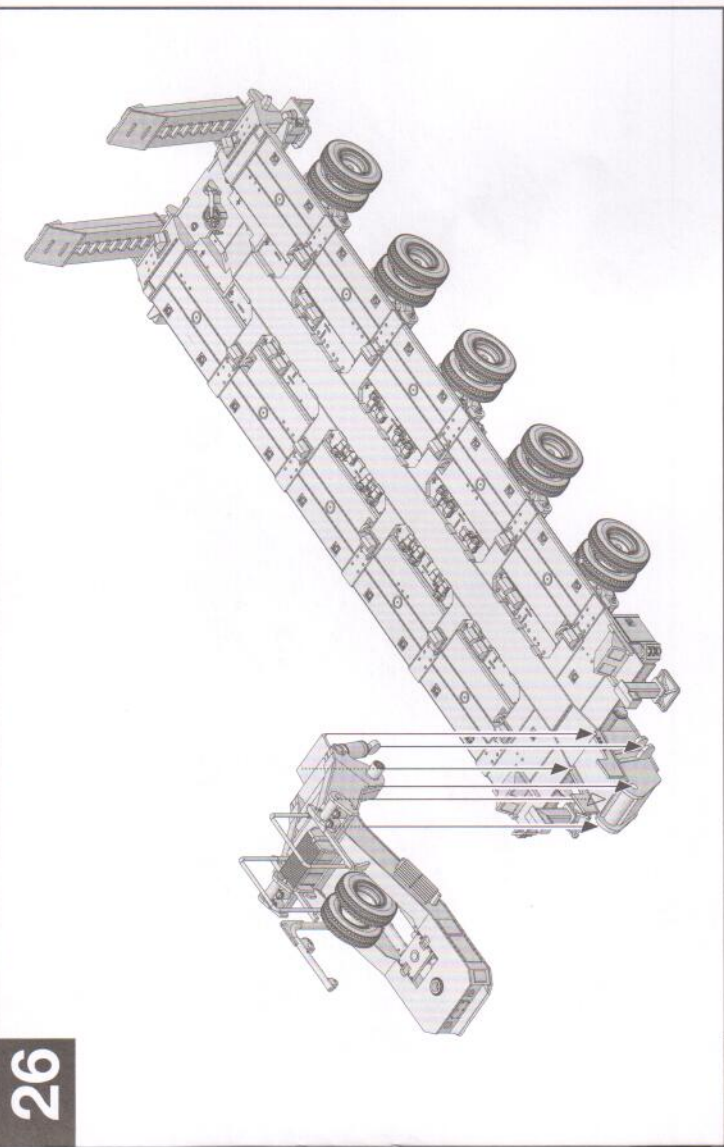
11



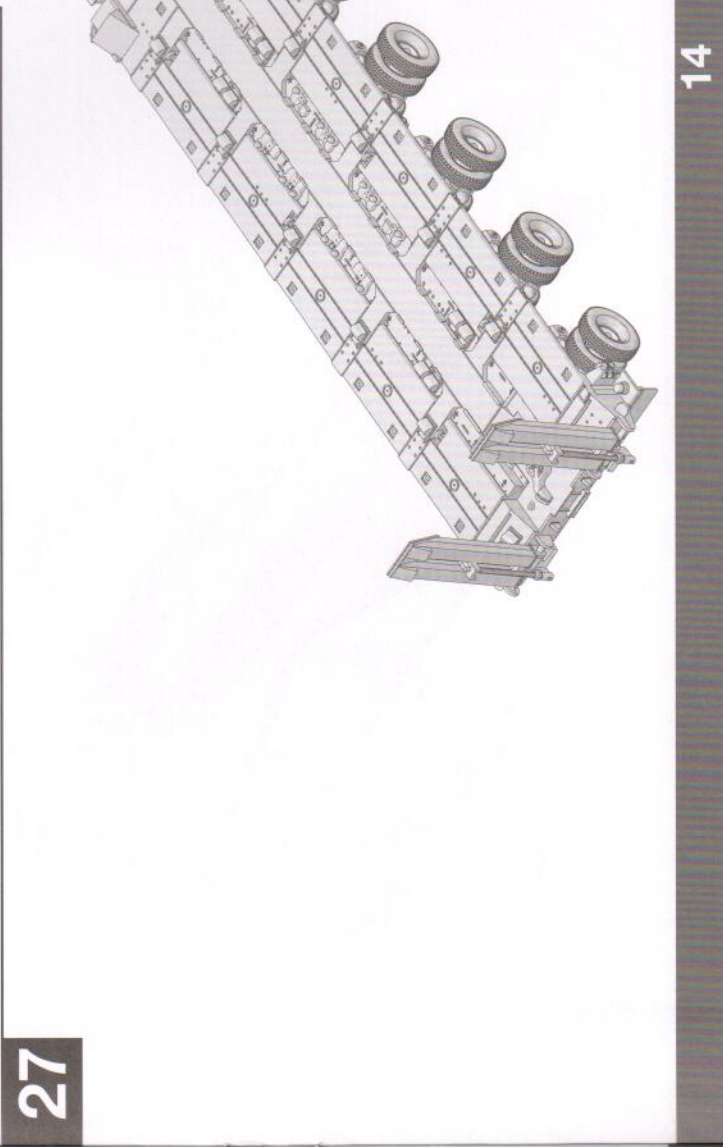


Optional

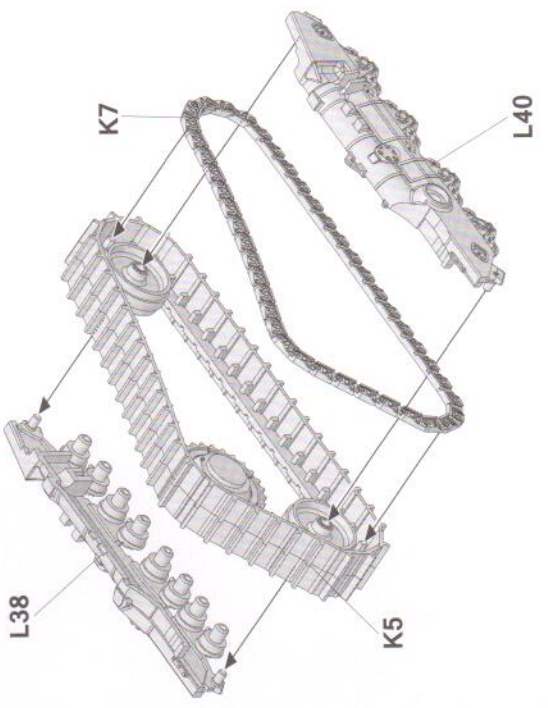
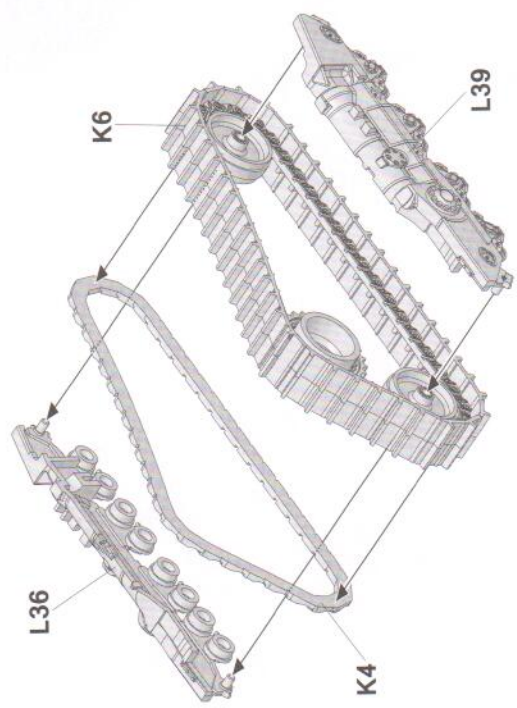
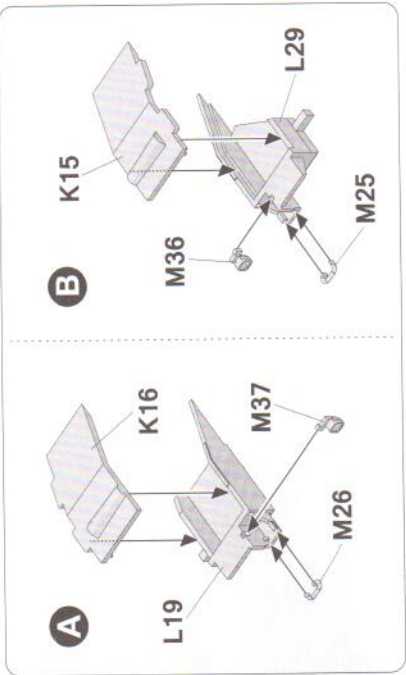
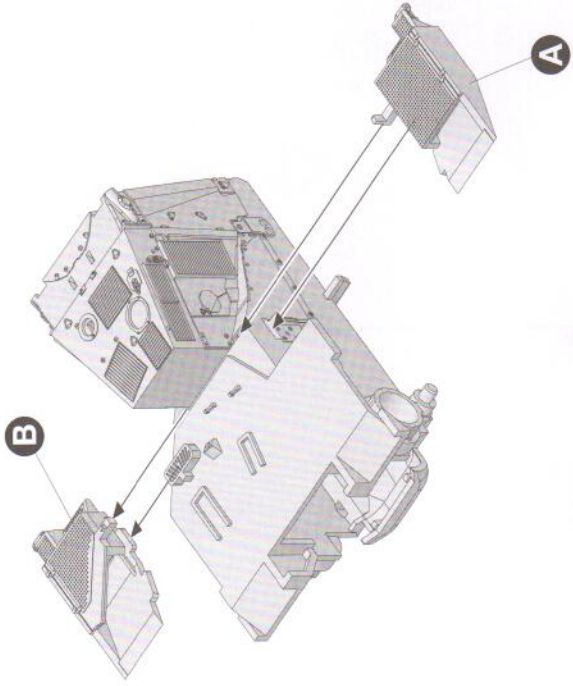
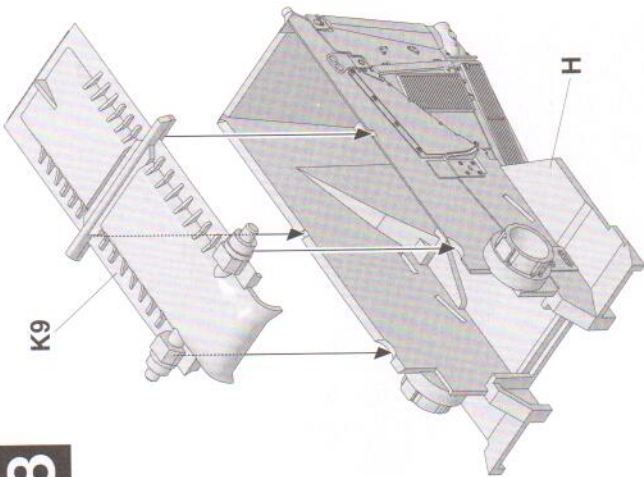




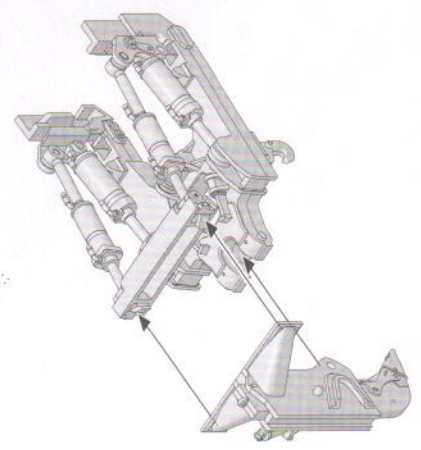
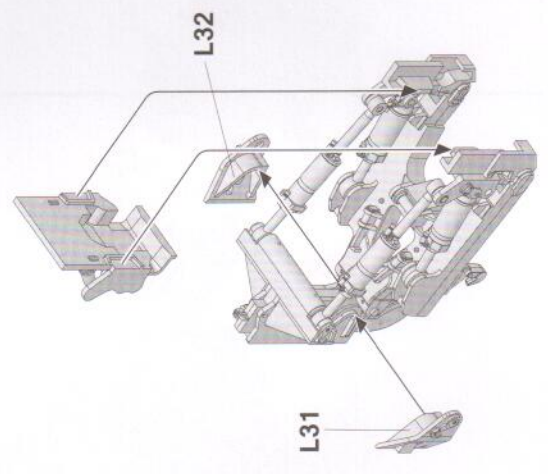
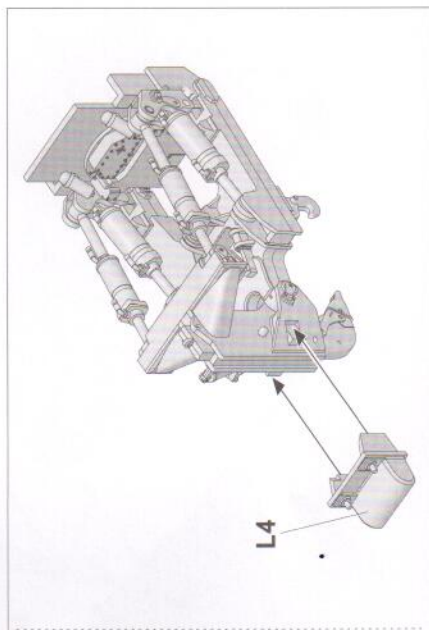
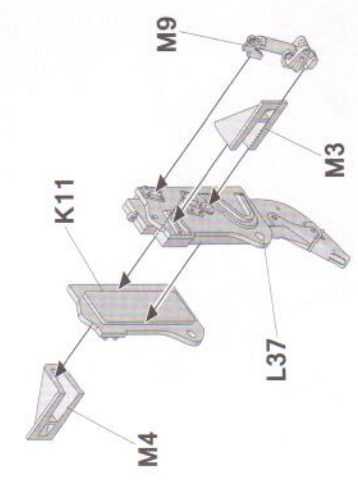
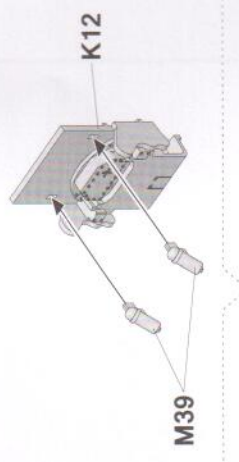
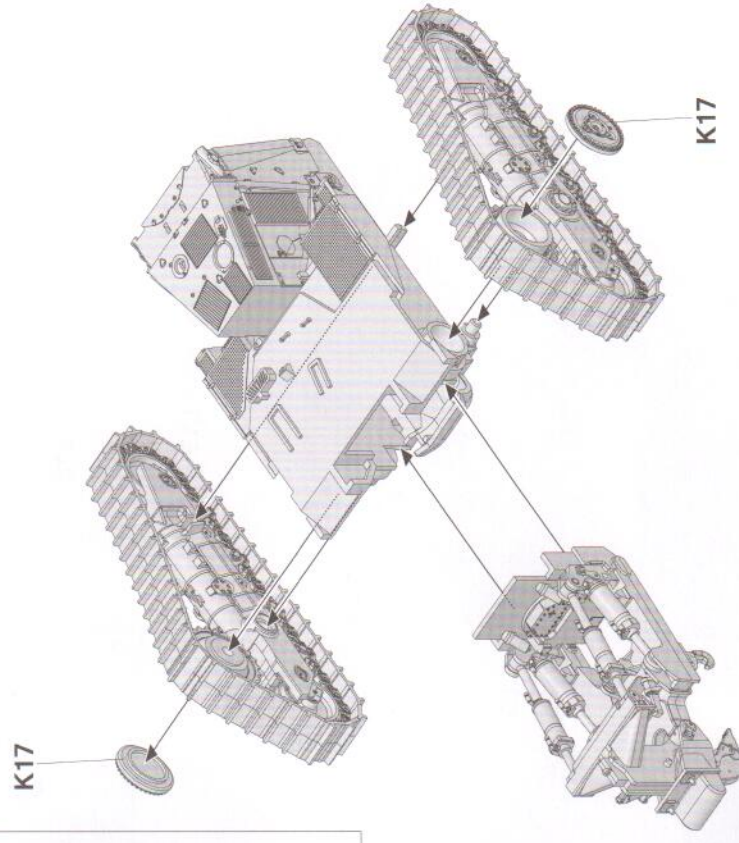
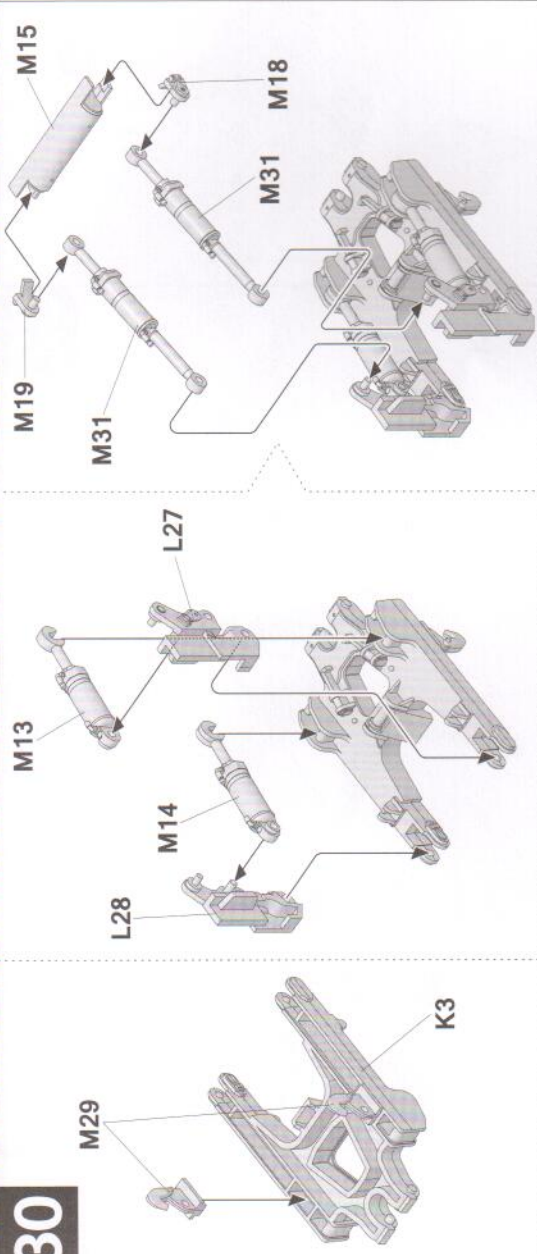
26

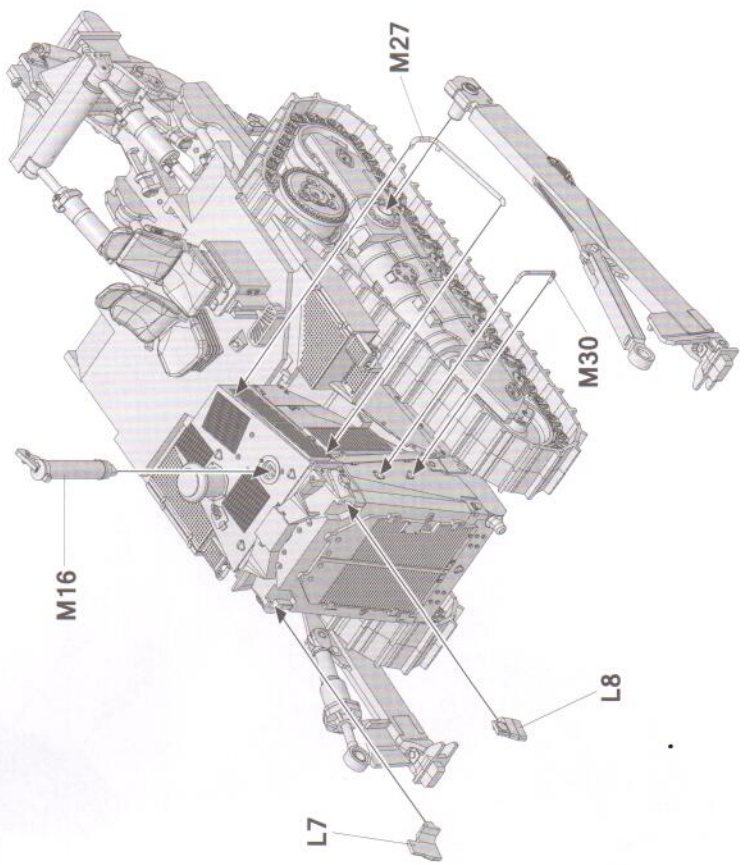
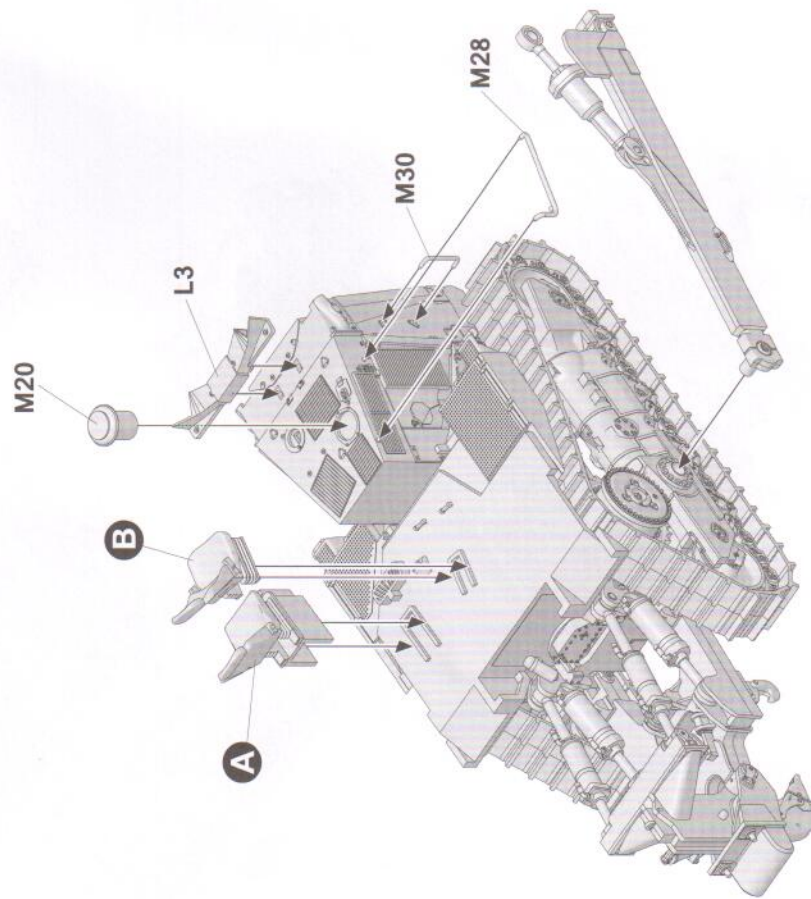
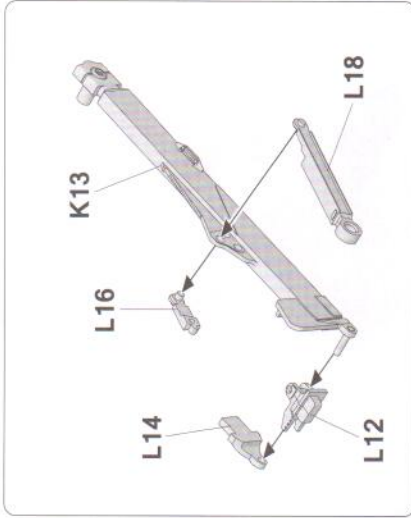
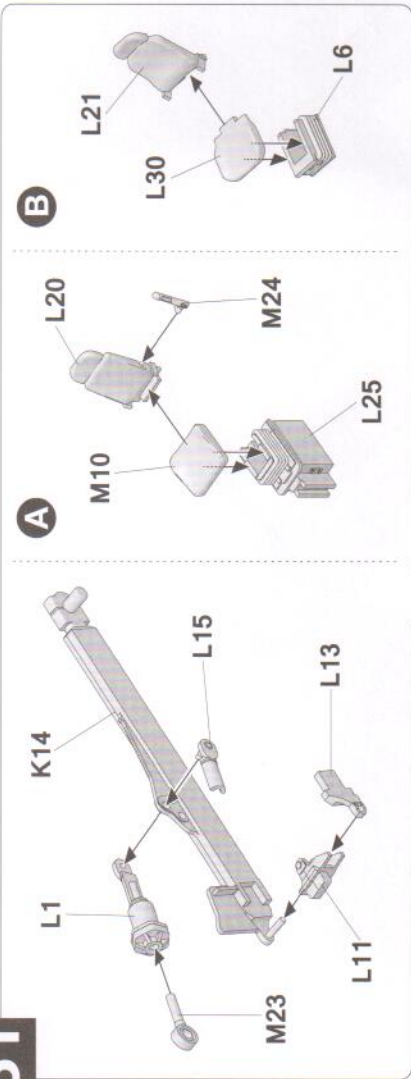


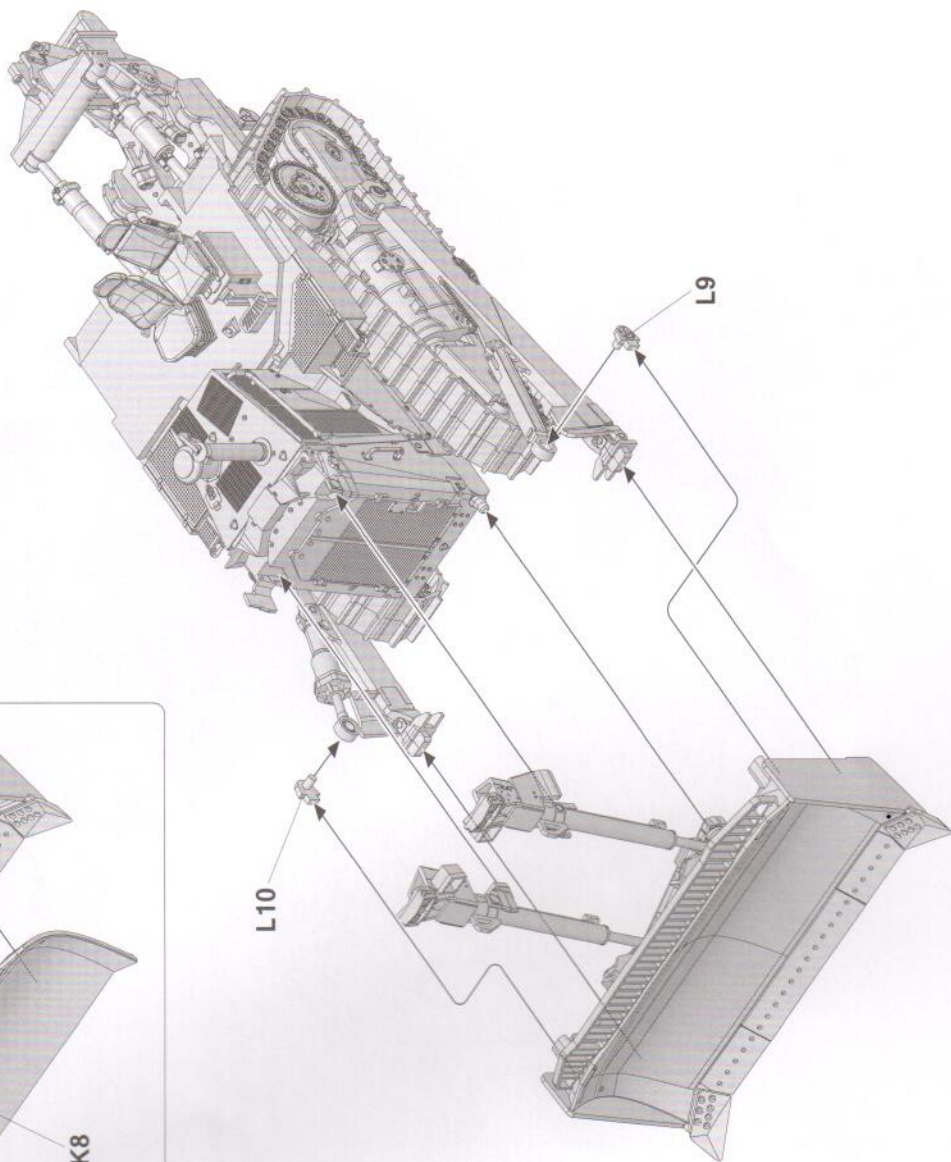
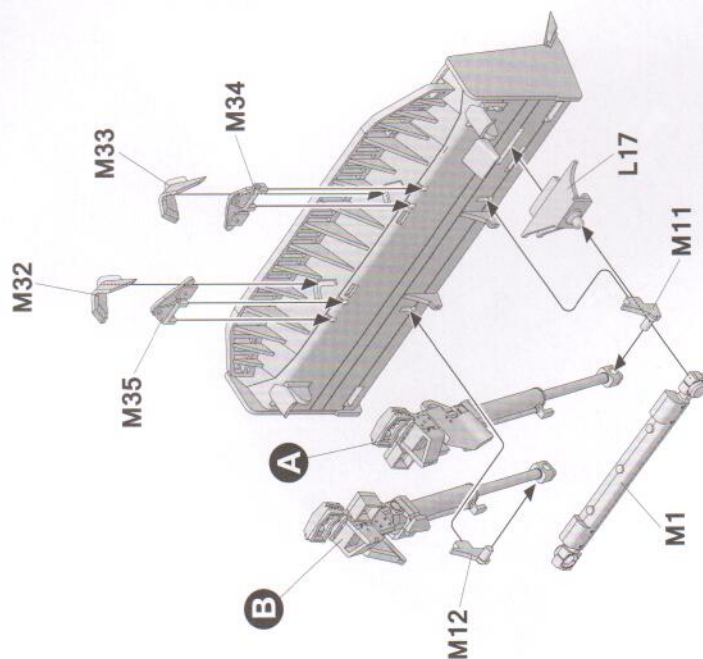
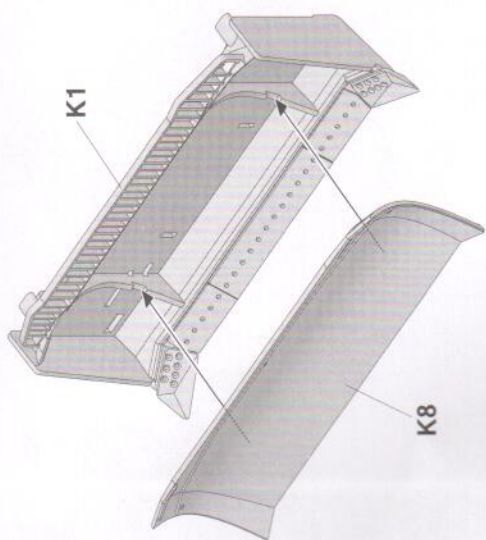
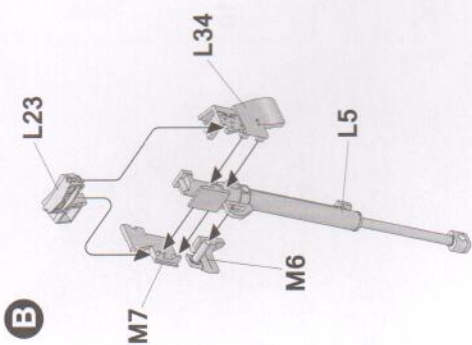
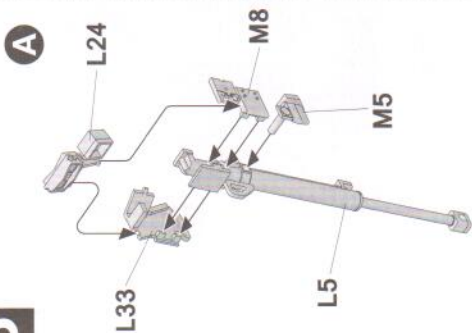
27

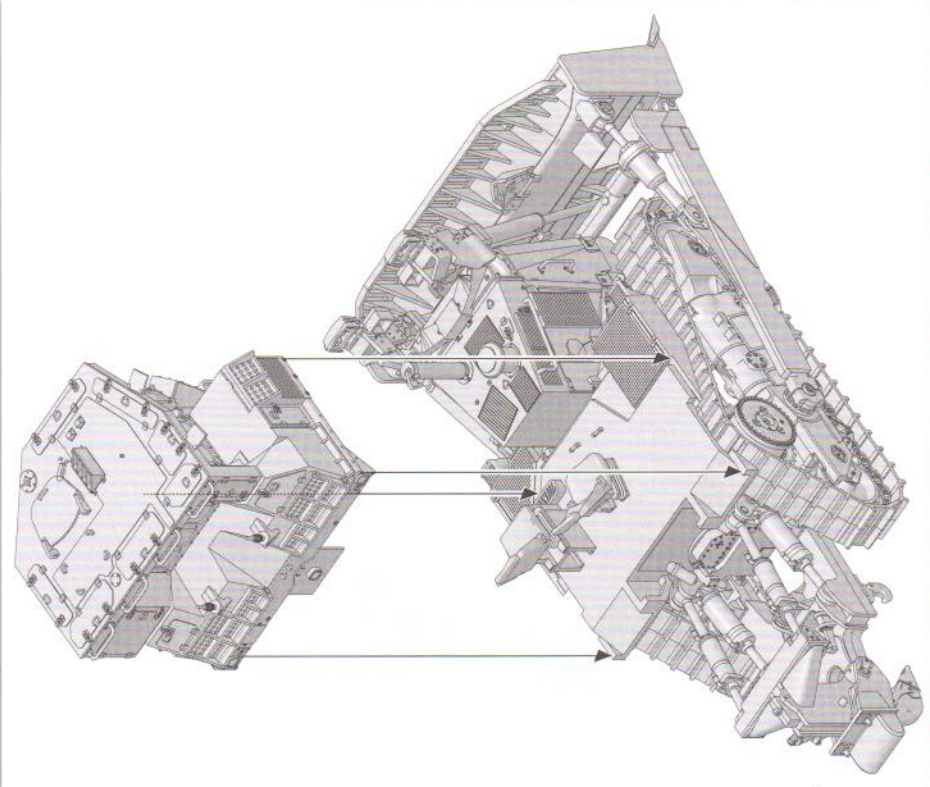
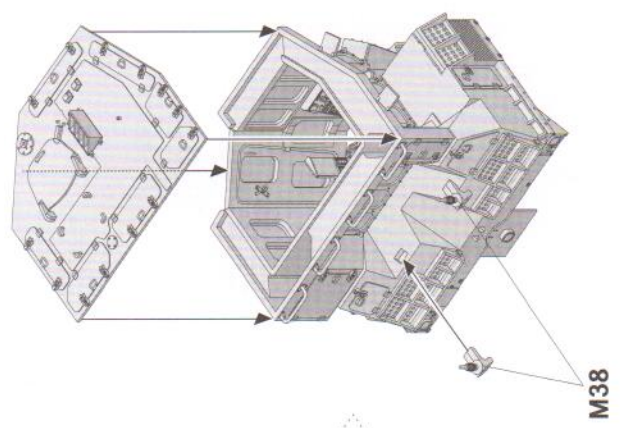
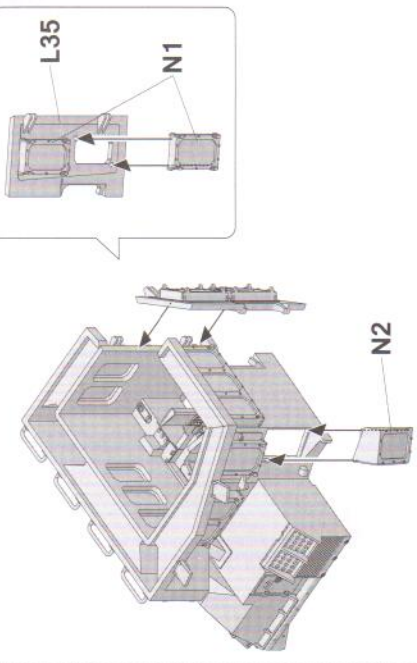
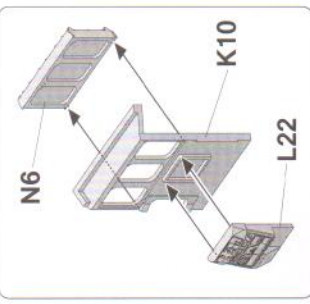
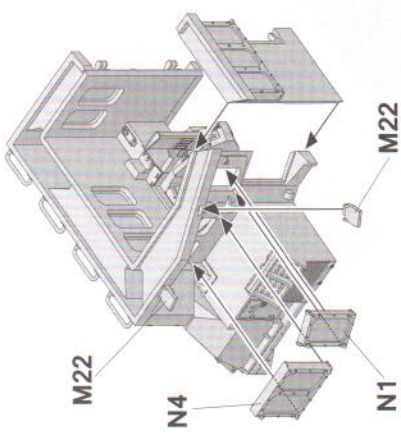
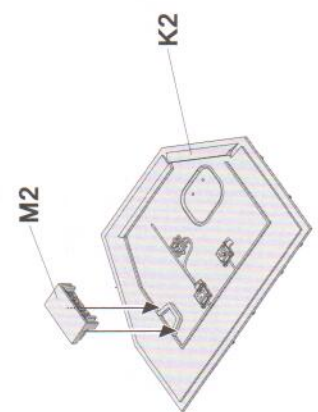
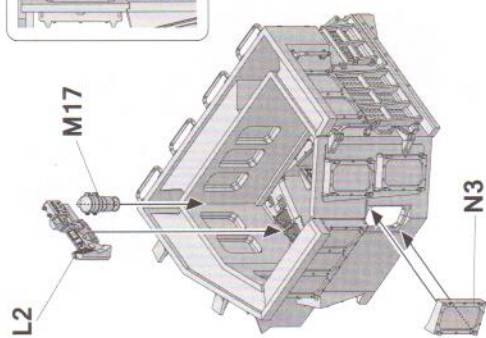
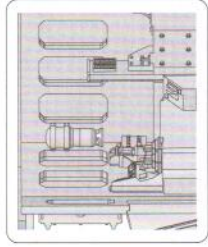
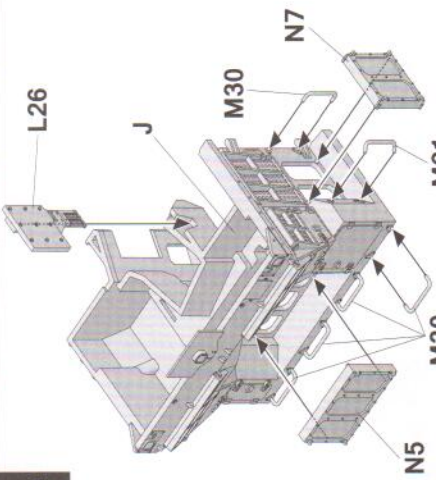


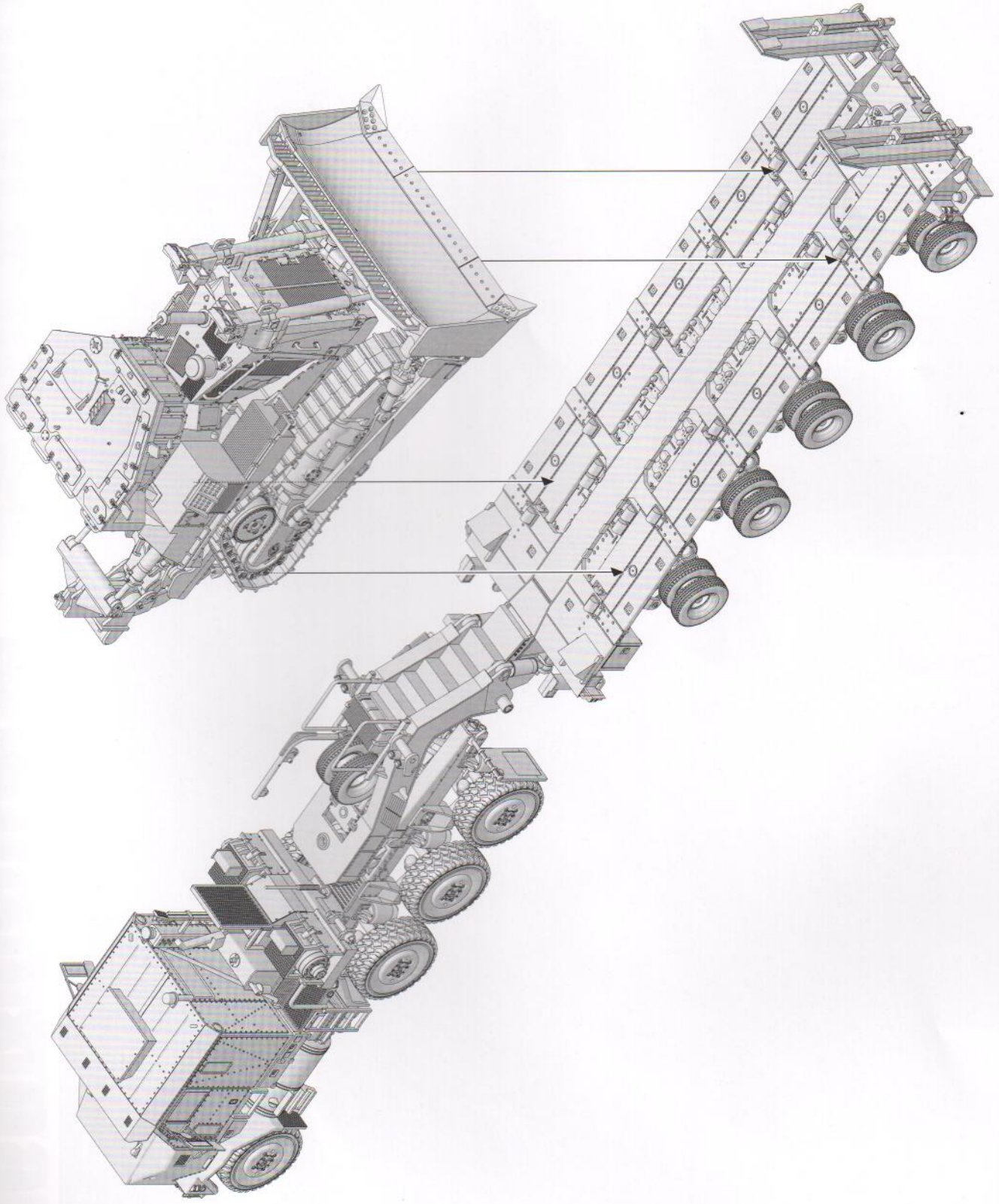










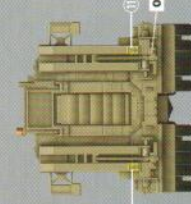
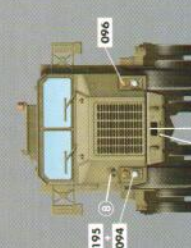
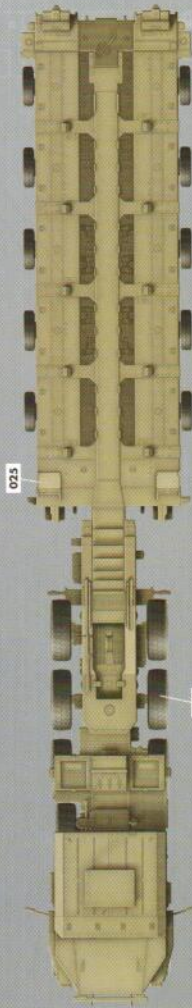
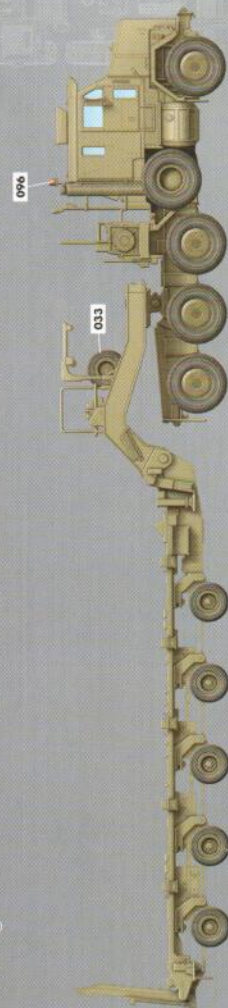
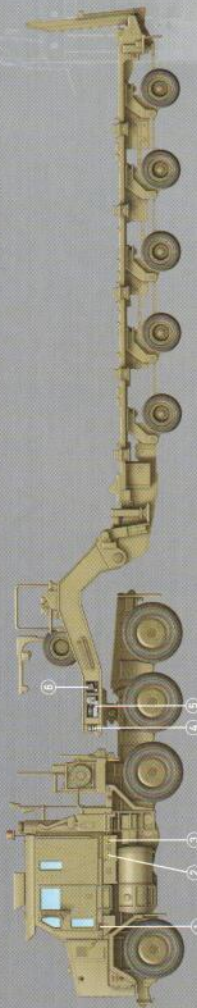


## Painting and Marking Guide

**TAKOM** Ref: 5002

Unknown Transportation Unit, Operation Iraqi Freedom, Camp Buehling, Kuwait, April 2003.

- A.MIG 033** Rubber & Tires
- A.MIG 093** Crystal Red
- A.MIG 094** Crystal Glass
- A.MIG 096** Crystal Orange
- A.MIG 195** Silver
- A.MIG 025** US Medium Vehicles FS3446



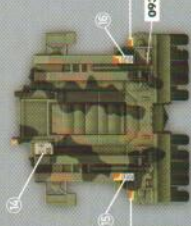
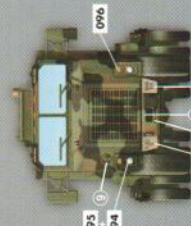
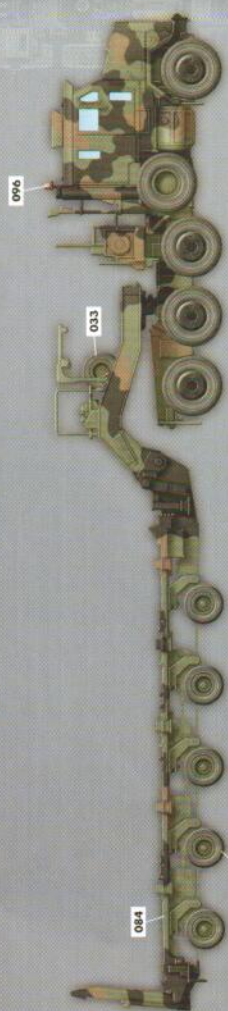
- ### WEATHERING STEPS WITH AMMO PRODUCTS
- 1 GENERAL WASH**  
A.MIG-1007 US Medium Vehicles Wash
  - 2 FILTER**  
A.MIG-1016 Grey for Yellow Sand
  - 3 STREAKING**  
A.MIG-1027 Streaking Glaze for US Medium Vehicles
  - 4 TIRE WASH**  
A.MIG-1401 Light Dust
  - 5 DUST**  
A.MIG-3018 Middle East Dust
  - 6 SPLASHES**  
A.MIG-1781 Dry Slope
  - 7 HEAVY MUD**  
A.MIG-1700 Dry Light Soil
  - 8 GREASE & OIL**  
A.MIG-1408 Fresh Engine Oil

## Painting and Marking Guide

**TAKOM** Ref: 5002

Truck 514, Theater Logistics Support Center-Europe, 21st Theater Sustainment Command, Baumholder, Germany, 2011.

- A.MIG 033** Rubber & Tires
- A.MIG 093** Crystal Red
- A.MIG 094** Crystal Glass
- A.MIG 096** Crystal Orange
- A.MIG 195** Silver
- A.MIG 046** Matte Black
- A.MIG 085** NATO Brown
- A.MIG 084** NATO Green



- ### WEATHERING STEPS WITH AMMO PRODUCTS
- 1 GENERAL WASH**  
A.MIG-1008 Dark Wash
  - 2 FILTER**  
A.MIG-1510 Tan for Three Tone Camo
  - 3 STREAKING**  
A.MIG-1208 Rainmarks Effects
  - 4 TIRE WASH**  
A.MIG-1403 Earth
  - 5 DUST**  
A.MIG-3004 Europe Earth
  - 6 SPLASHES**  
A.MIG-1783 Turned Dirt
  - 7 HEAVY MUD**  
A.MIG-1704 Heavy Earth
  - 8 GREASE & OIL**  
A.MIG-1408 Fresh Engine Oil

03.03.5002



www.migimenez.com



# M1070 & D9

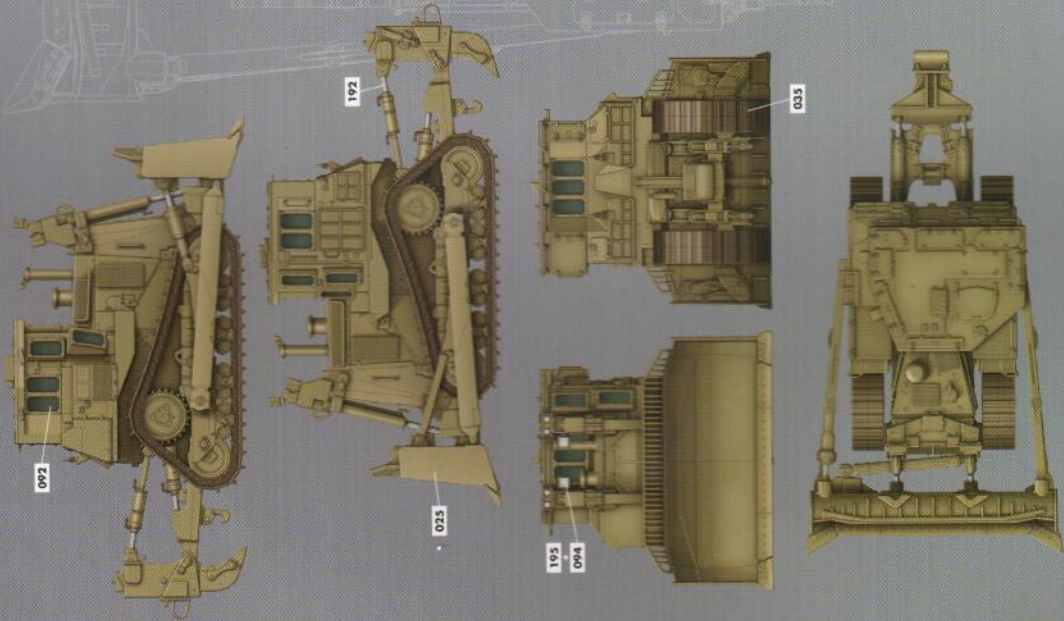
Painting and Marking Guide

**TAKOM** Ref: 5002

M1070 HET with D9 Dozer.

- A.MIG 035 Dark Tracks
- A.MIG 092 Crystal Green
- A.MIG 094 Crystal Green
- A.MIG 192 Polished Metal

- A.MIG 195 Silver
- A.MIG 075 US Modern Vehicles F33146A



### WEATHERING STEPS WITH AMMO PRODUCTS

- 1 GENERAL WASH**  
A.MIG-1007 US Modern Vehicles Wash
- 2 FILTER**  
A.MIG-1504 Brown /1/ Cleaner Yellow
- 3 STREAKING**  
A.MIG-1201 Streaking Gravel for Dark
- 4 TRACK WASH**  
A.MIG-1002 Tracks Wash
- 5 DIRT**  
A.MIG-1401 Light Dirt  
A.MIG-1700 Dry Earth
- 6 SPASHES**  
A.MIG-1700 Dry Earth
- 7 HEAVY MUD**  
A.MIG-1701 Thick Soil  
A.MIG-1408 Fresh Engine Oil

# M60A1

W/EXPLOSIVE REACTIVE ARMOR

U.S. MAIN BATTLE TANK  
 1. 1/35 SCALE  
 2. 1/35 SCALE  
 3. 1/35 SCALE  
 4. 1/35 SCALE  
 5. 1/35 SCALE  
 6. 1/35 SCALE  
 7. 1/35 SCALE  
 8. 1/35 SCALE  
 9. 1/35 SCALE  
 10. 1/35 SCALE  
 11. 1/35 SCALE  
 12. 1/35 SCALE  
 13. 1/35 SCALE  
 14. 1/35 SCALE  
 15. 1/35 SCALE  
 16. 1/35 SCALE  
 17. 1/35 SCALE  
 18. 1/35 SCALE  
 19. 1/35 SCALE  
 20. 1/35 SCALE  
 21. 1/35 SCALE  
 22. 1/35 SCALE  
 23. 1/35 SCALE  
 24. 1/35 SCALE  
 25. 1/35 SCALE  
 26. 1/35 SCALE  
 27. 1/35 SCALE  
 28. 1/35 SCALE  
 29. 1/35 SCALE  
 30. 1/35 SCALE  
 31. 1/35 SCALE  
 32. 1/35 SCALE  
 33. 1/35 SCALE  
 34. 1/35 SCALE  
 35. 1/35 SCALE  
 36. 1/35 SCALE  
 37. 1/35 SCALE  
 38. 1/35 SCALE  
 39. 1/35 SCALE  
 40. 1/35 SCALE  
 41. 1/35 SCALE  
 42. 1/35 SCALE  
 43. 1/35 SCALE  
 44. 1/35 SCALE  
 45. 1/35 SCALE  
 46. 1/35 SCALE  
 47. 1/35 SCALE  
 48. 1/35 SCALE  
 49. 1/35 SCALE  
 50. 1/35 SCALE  
 51. 1/35 SCALE  
 52. 1/35 SCALE  
 53. 1/35 SCALE  
 54. 1/35 SCALE  
 55. 1/35 SCALE  
 56. 1/35 SCALE  
 57. 1/35 SCALE  
 58. 1/35 SCALE  
 59. 1/35 SCALE  
 60. 1/35 SCALE  
 61. 1/35 SCALE  
 62. 1/35 SCALE  
 63. 1/35 SCALE  
 64. 1/35 SCALE  
 65. 1/35 SCALE  
 66. 1/35 SCALE  
 67. 1/35 SCALE  
 68. 1/35 SCALE  
 69. 1/35 SCALE  
 70. 1/35 SCALE  
 71. 1/35 SCALE  
 72. 1/35 SCALE  
 73. 1/35 SCALE  
 74. 1/35 SCALE  
 75. 1/35 SCALE  
 76. 1/35 SCALE  
 77. 1/35 SCALE  
 78. 1/35 SCALE  
 79. 1/35 SCALE  
 80. 1/35 SCALE  
 81. 1/35 SCALE  
 82. 1/35 SCALE  
 83. 1/35 SCALE  
 84. 1/35 SCALE  
 85. 1/35 SCALE  
 86. 1/35 SCALE  
 87. 1/35 SCALE  
 88. 1/35 SCALE  
 89. 1/35 SCALE  
 90. 1/35 SCALE  
 91. 1/35 SCALE  
 92. 1/35 SCALE  
 93. 1/35 SCALE  
 94. 1/35 SCALE  
 95. 1/35 SCALE  
 96. 1/35 SCALE  
 97. 1/35 SCALE  
 98. 1/35 SCALE  
 99. 1/35 SCALE  
 100. 1/35 SCALE

Supported by Dino Sun



1/35 No.3115

# M3A1 LEE CDL

U.S. MEDIUM TANK

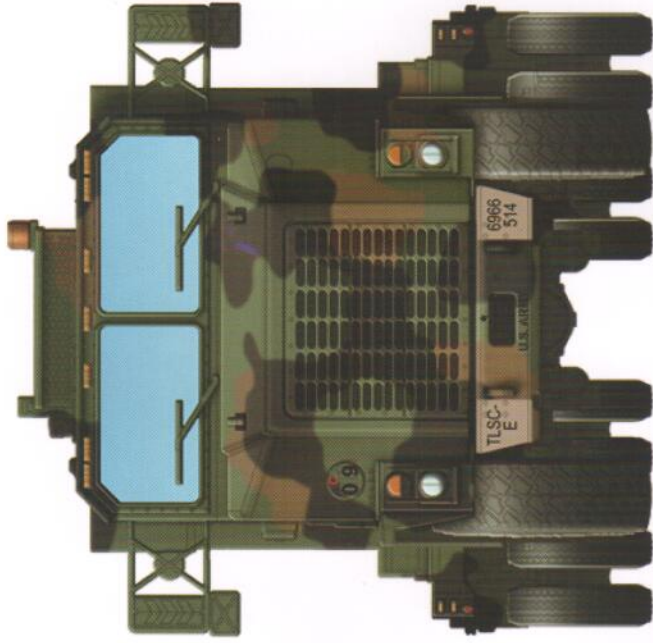
1. 1/35 SCALE  
 2. 1/35 SCALE  
 3. 1/35 SCALE  
 4. 1/35 SCALE  
 5. 1/35 SCALE  
 6. 1/35 SCALE  
 7. 1/35 SCALE  
 8. 1/35 SCALE  
 9. 1/35 SCALE  
 10. 1/35 SCALE  
 11. 1/35 SCALE  
 12. 1/35 SCALE  
 13. 1/35 SCALE  
 14. 1/35 SCALE  
 15. 1/35 SCALE  
 16. 1/35 SCALE  
 17. 1/35 SCALE  
 18. 1/35 SCALE  
 19. 1/35 SCALE  
 20. 1/35 SCALE  
 21. 1/35 SCALE  
 22. 1/35 SCALE  
 23. 1/35 SCALE  
 24. 1/35 SCALE  
 25. 1/35 SCALE  
 26. 1/35 SCALE  
 27. 1/35 SCALE  
 28. 1/35 SCALE  
 29. 1/35 SCALE  
 30. 1/35 SCALE  
 31. 1/35 SCALE  
 32. 1/35 SCALE  
 33. 1/35 SCALE  
 34. 1/35 SCALE  
 35. 1/35 SCALE  
 36. 1/35 SCALE  
 37. 1/35 SCALE  
 38. 1/35 SCALE  
 39. 1/35 SCALE  
 40. 1/35 SCALE  
 41. 1/35 SCALE  
 42. 1/35 SCALE  
 43. 1/35 SCALE  
 44. 1/35 SCALE  
 45. 1/35 SCALE  
 46. 1/35 SCALE  
 47. 1/35 SCALE  
 48. 1/35 SCALE  
 49. 1/35 SCALE  
 50. 1/35 SCALE  
 51. 1/35 SCALE  
 52. 1/35 SCALE  
 53. 1/35 SCALE  
 54. 1/35 SCALE  
 55. 1/35 SCALE  
 56. 1/35 SCALE  
 57. 1/35 SCALE  
 58. 1/35 SCALE  
 59. 1/35 SCALE  
 60. 1/35 SCALE  
 61. 1/35 SCALE  
 62. 1/35 SCALE  
 63. 1/35 SCALE  
 64. 1/35 SCALE  
 65. 1/35 SCALE  
 66. 1/35 SCALE  
 67. 1/35 SCALE  
 68. 1/35 SCALE  
 69. 1/35 SCALE  
 70. 1/35 SCALE  
 71. 1/35 SCALE  
 72. 1/35 SCALE  
 73. 1/35 SCALE  
 74. 1/35 SCALE  
 75. 1/35 SCALE  
 76. 1/35 SCALE  
 77. 1/35 SCALE  
 78. 1/35 SCALE  
 79. 1/35 SCALE  
 80. 1/35 SCALE  
 81. 1/35 SCALE  
 82. 1/35 SCALE  
 83. 1/35 SCALE  
 84. 1/35 SCALE  
 85. 1/35 SCALE  
 86. 1/35 SCALE  
 87. 1/35 SCALE  
 88. 1/35 SCALE  
 89. 1/35 SCALE  
 90. 1/35 SCALE  
 91. 1/35 SCALE  
 92. 1/35 SCALE  
 93. 1/35 SCALE  
 94. 1/35 SCALE  
 95. 1/35 SCALE  
 96. 1/35 SCALE  
 97. 1/35 SCALE  
 98. 1/35 SCALE  
 99. 1/35 SCALE  
 100. 1/35 SCALE

1/35 No.3115



Japan Zero

A READY TO ASSEMBLE PRECISION MODEL KIT. A WEATHERING PRECISION LECTURE BY ANDY IN THIRTY FIVE SCALE. MODELS MAY VARY FROM REALITY. THE KIT IS MADE OF ABS AND PAINT IS NOT INCLUDED.



 You can find TAKOM on Facebook.com