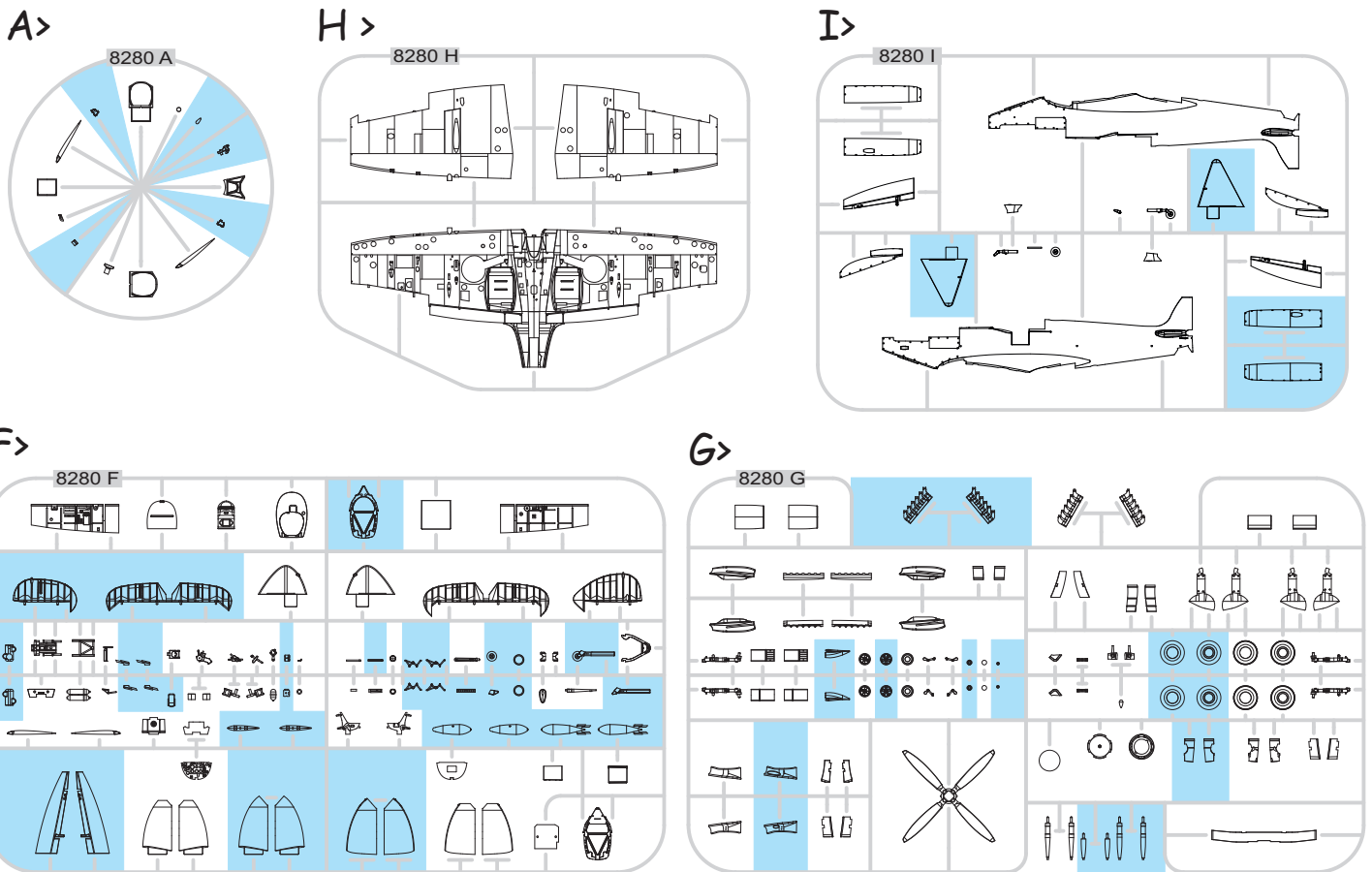


84139
1:48

Spitfire Mk.VIII

eduard
WEEKEND
EDITION

PLASTIC PARTS



Mr.COLOR	
C3	RED
C4	YELLOW
C11	LIGHT GULL GRAY
C23	DARK GREEN
C33	FLAT BLACK
C47	CLEAR RED
C49	CLEAR ORANGE
C81	RUSSET

Mr.COLOR	
C117	LIGHT BLUE
C137	TIRE BLACK
C138	CLEAR GREEN
C302	GREEN
C316	WHITE
C335	GREEN
C362	OCEAN GRAY
C363	MEDIUM SEA GRAY

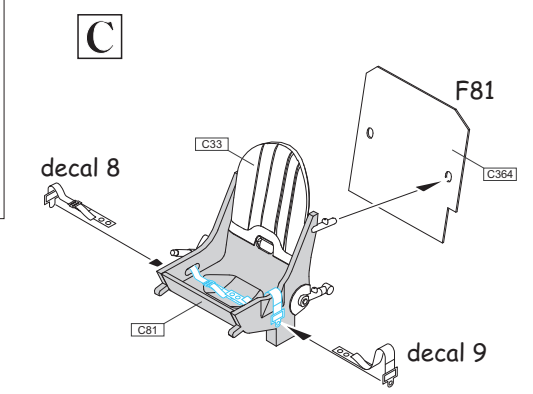
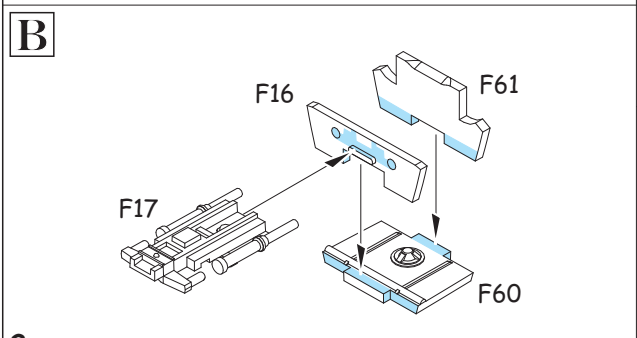
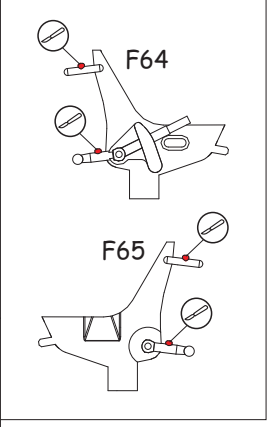
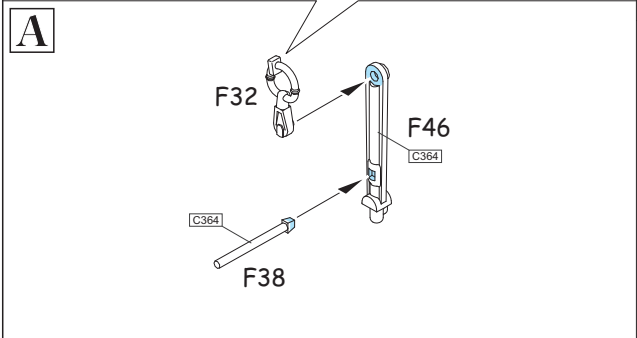
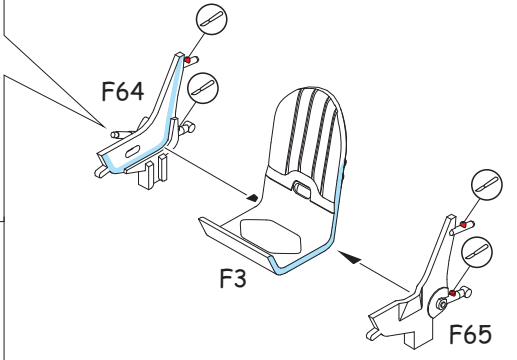
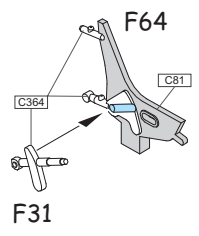
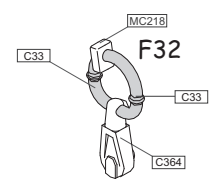
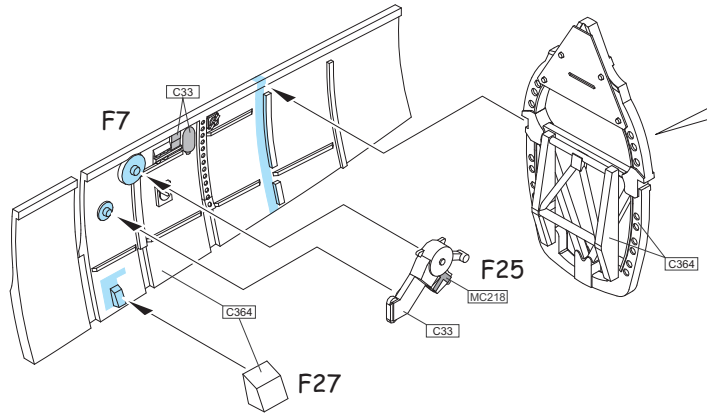
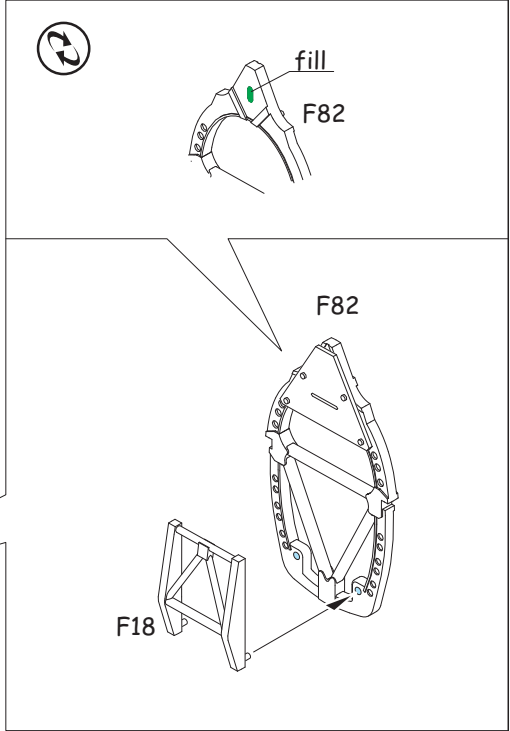
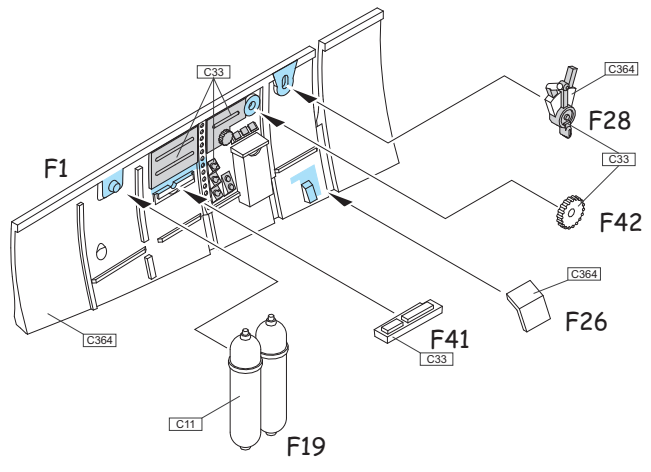
Mr.COLOR	
C364	AIRCRAFT GRAY-GREEN
C370	AZURE BLUE
Mr.METAL COLOR	
MC214	DARK IRON
MC218	ALUMINIUM
Mr.COLOR SUPER METALLIC	
SM01	SUPER FINE SILVER
SM06	CHROME SILVER

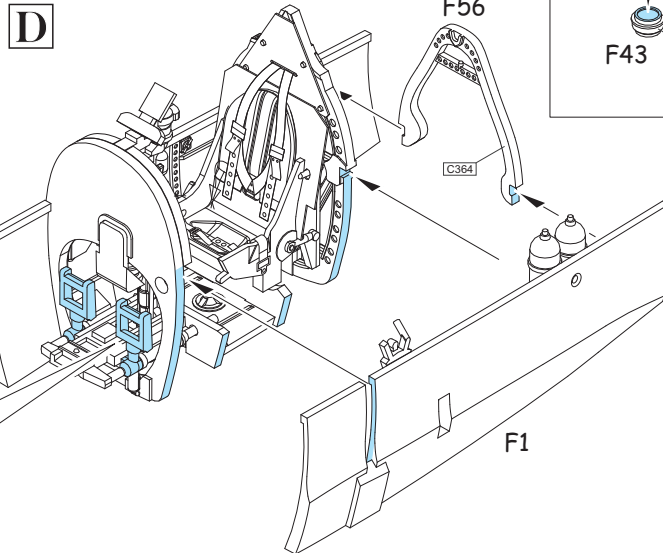
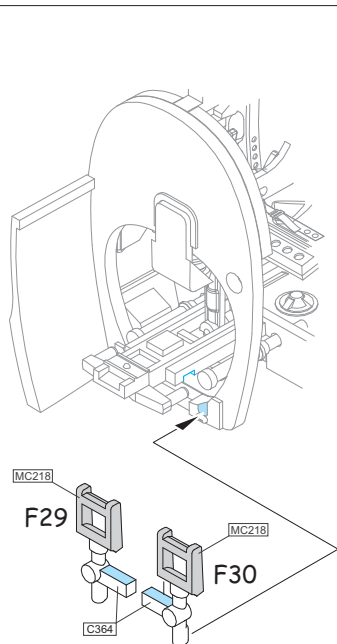
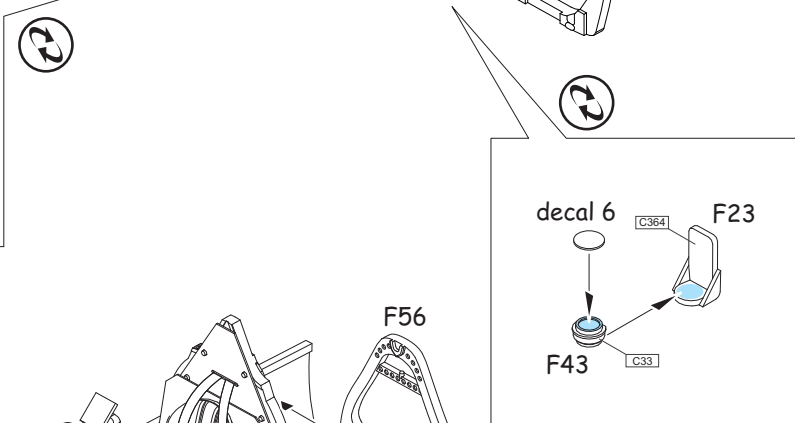
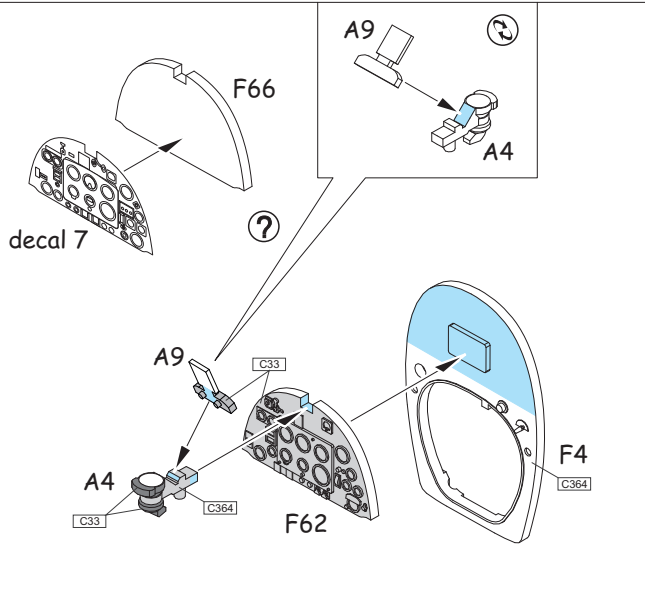
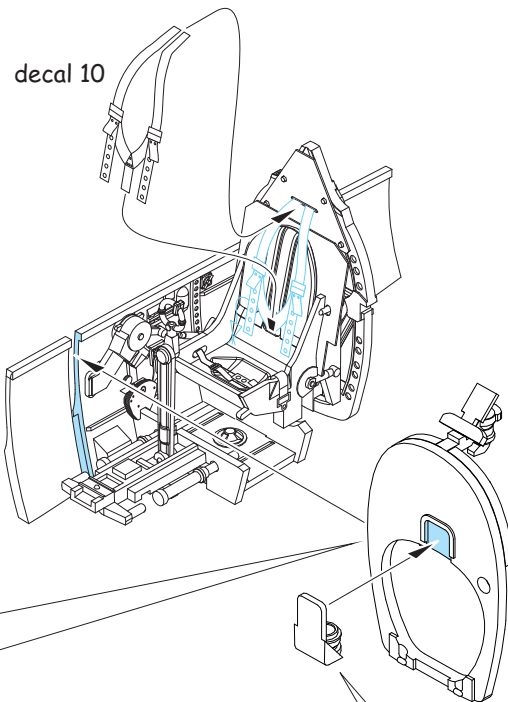
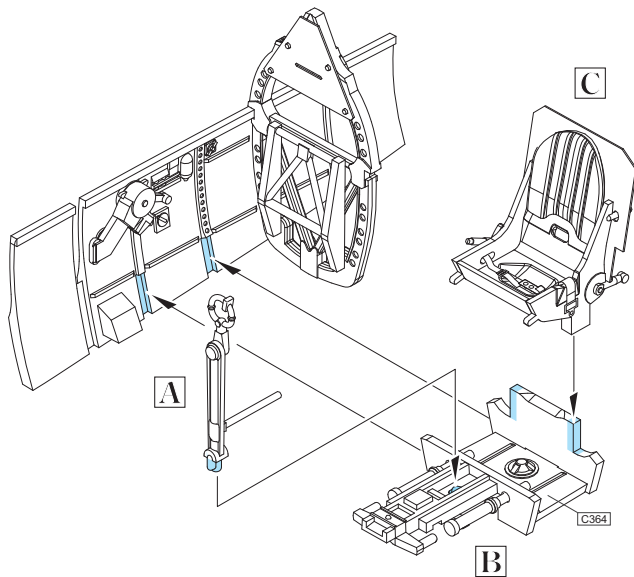
ATTENTION * UPOZORNĚNÍ * ACHTUNG * ATTENTION

- (GB)** Carefully read instruction sheet before assembling. When you use glue or paint, do not use near open flame and use in well ventilated room. Keep out of reach of small children. Children must not be allowed to suck any part, or pull vinyl bag over the head.
- (CZ)** Před započatím stavby si pečlivě prostudujte stavební návod. Při používání barev a lepidel pracujte v dobře větrané místnosti. Lepidla ani barvy nepoužívejte v blízkosti otevřeného ohně. Model není určen malým dětem, mohlo by dojít k požití drobných dílů.
- (D)** Vor dem Zusammenbau die Bauanleitung gut durchlesen. Kleber und Farben nicht in der Nähe von offenem Feuer verwenden und für eine ausreichende Belüftung sorgen. Den Bausatz von kleinen Kindern fernhalten. Vermeiden Sie, dass Kinder Bauteile in den Mund nehmen oder sich Plastiktüten über den Kopf ziehen.
- (F)** Lire soigneusement la fiche d'instructions avant d'assembler. Ne pas utiliser de colle ou de peinture à proximité d'une flamme nue, et aérer la pièce de temps en temps. Garder hors de portée des enfants en bas âge. Ne pas laisser les enfants mettre en bouche ou sucer les pièces, ou passer un sachet vinyl sur la tête.

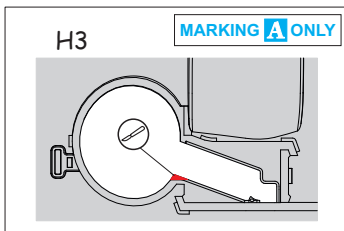
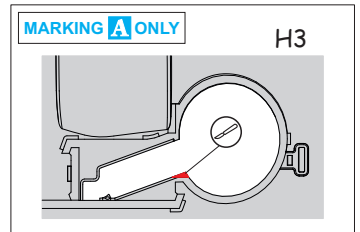
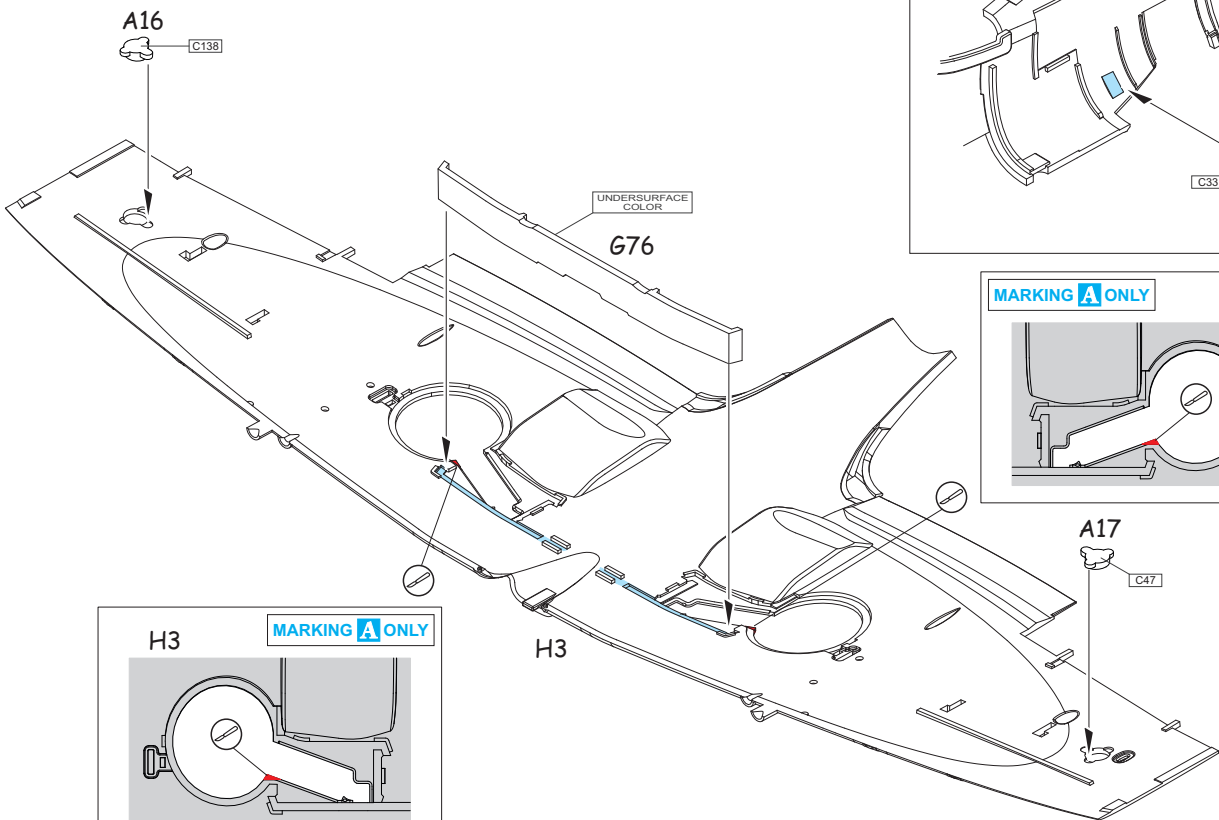
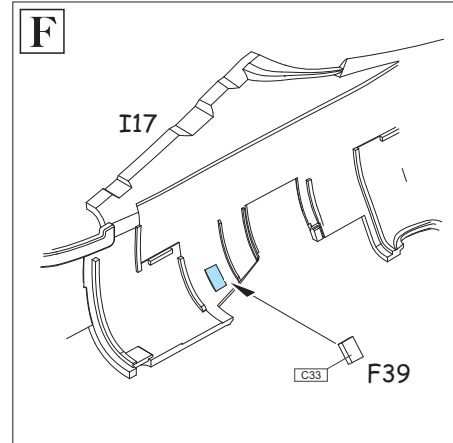
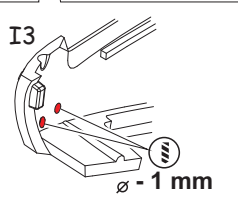
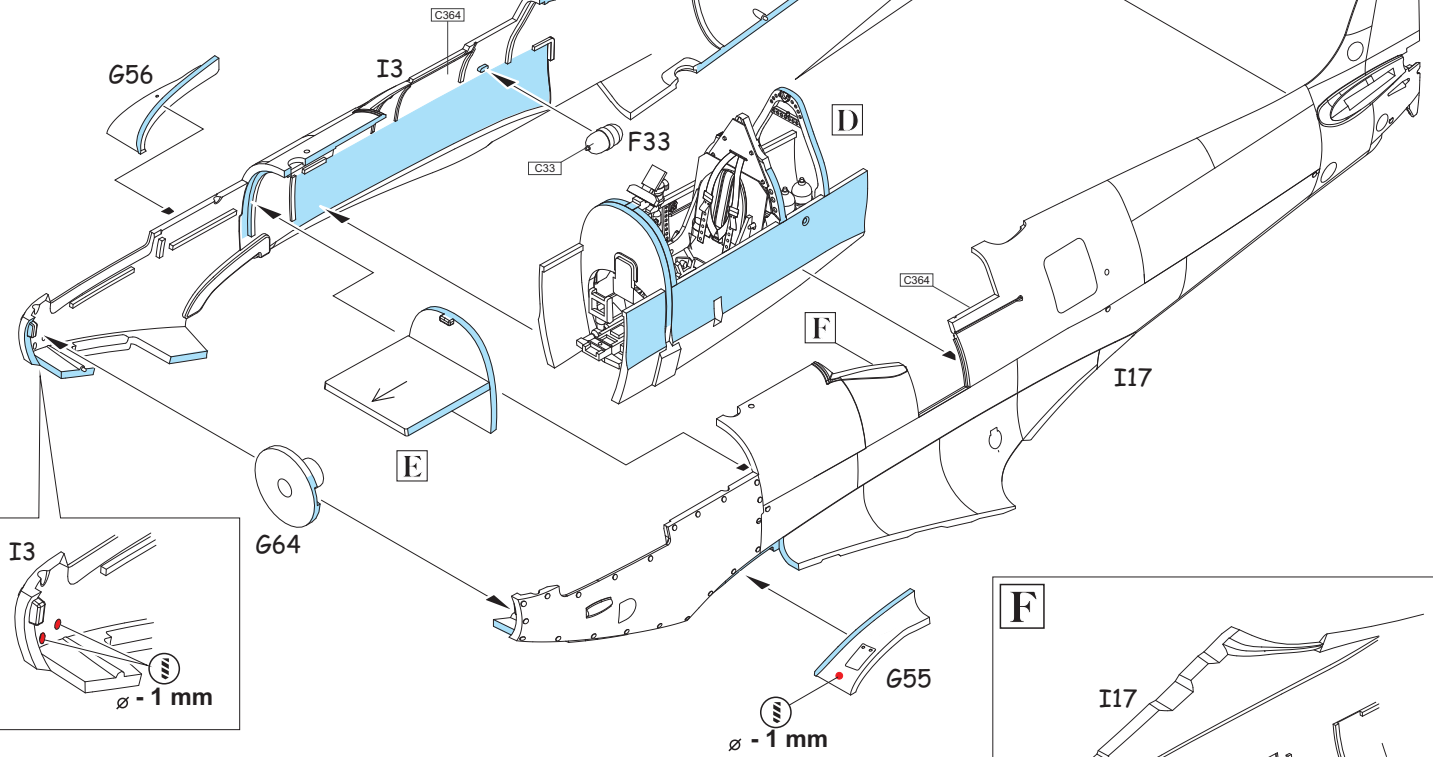
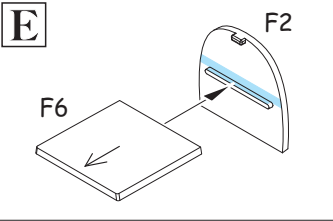
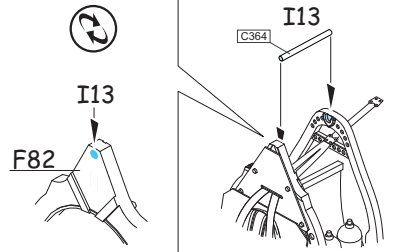
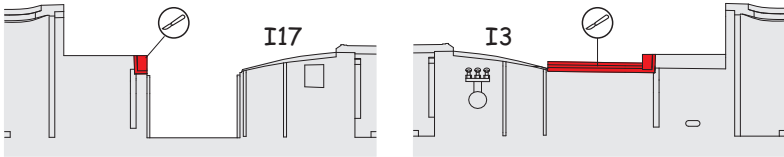
INSTRUCTION SIGNS * INSTR. SYMBOLY * INSTRUKTION SINNBILDEN * SYMBOLES

- (?)** OPTIONAL
FACULTATIF
NACH BELIEBEN
VOLBA
- (↶)** BEND
PLIER SIL VOUS PLAÏT
BITTE BIEGEN
OHNOUT
- (⊘)** OPEN HOLE
FAIRE UN TROU
OFFNEN
VYVRTAT OTVOR
- (↔)** SYMETRICAL ASSEMBLY
MONTAGE SYMÉTRIQUE
SYMMETRISCHE AUFBAU
SYMETRICKÁ MONTÁŽ
- (↺)** REVERSE SIDE
OTOČIT
- (✂)** REMOVE
RETIRER
ENTFERNEN
ODŘÍZNOUT





⑦ FOR CLOSED CANOPY ONLY



G46

UNDERSURFACE COLOR

MC218

G16

G70 - MARKING
A ONLY

G68 ? G70

UNDERSURFACE COLOR

G19

G15

UNDERSURFACE COLOR

MC218

G47

G20

UNDERSURFACE COLOR

G67 ? G69

G69 - MARKING
A ONLY

H1

UNDERSURFACE COLOR

H2

UNDERSURFACE COLOR

G17

UNDERSURFACE COLOR

G72 - MARKING
A ONLY

G62 ? G72

G61

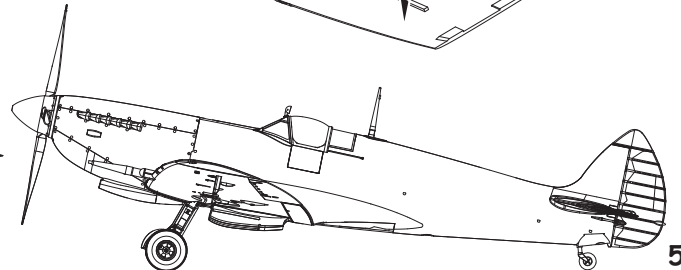
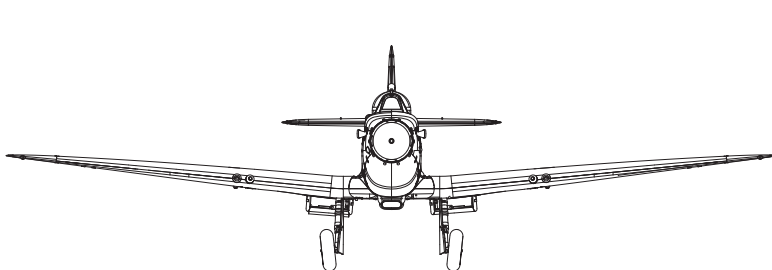
G71 - MARKING
A ONLY

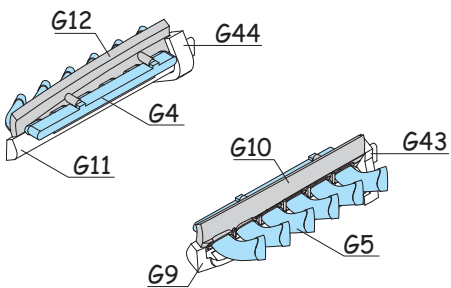
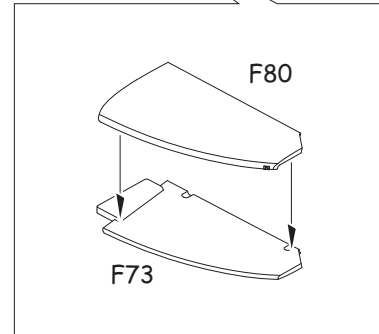
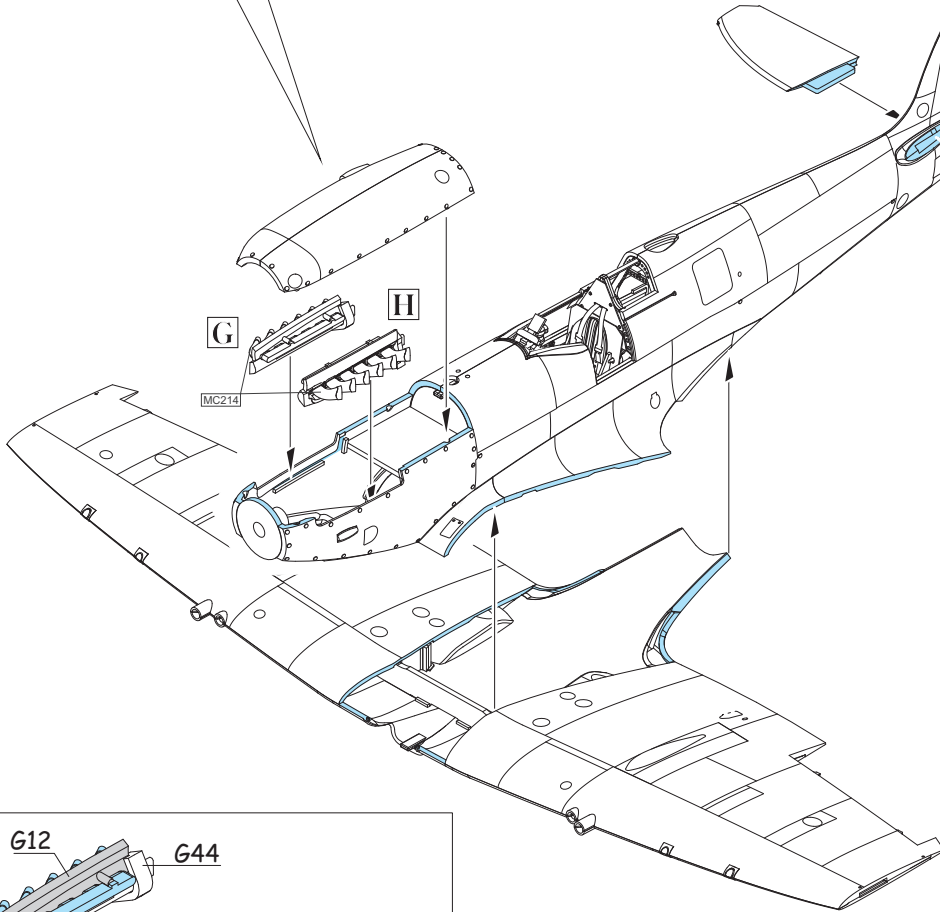
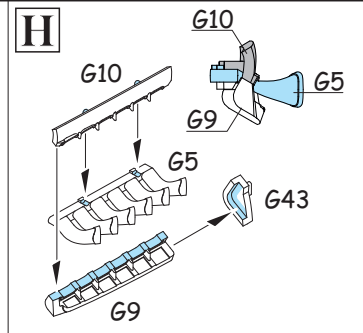
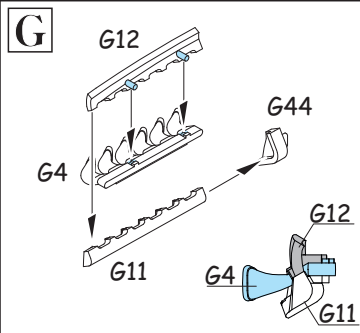
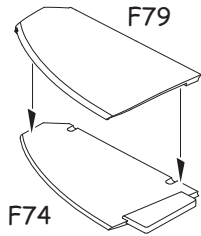
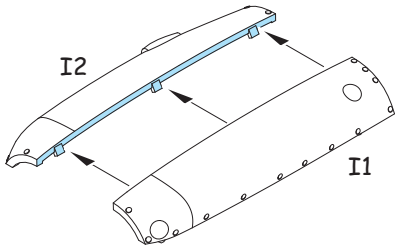
G60 ? G71

UNDERSURFACE COLOR

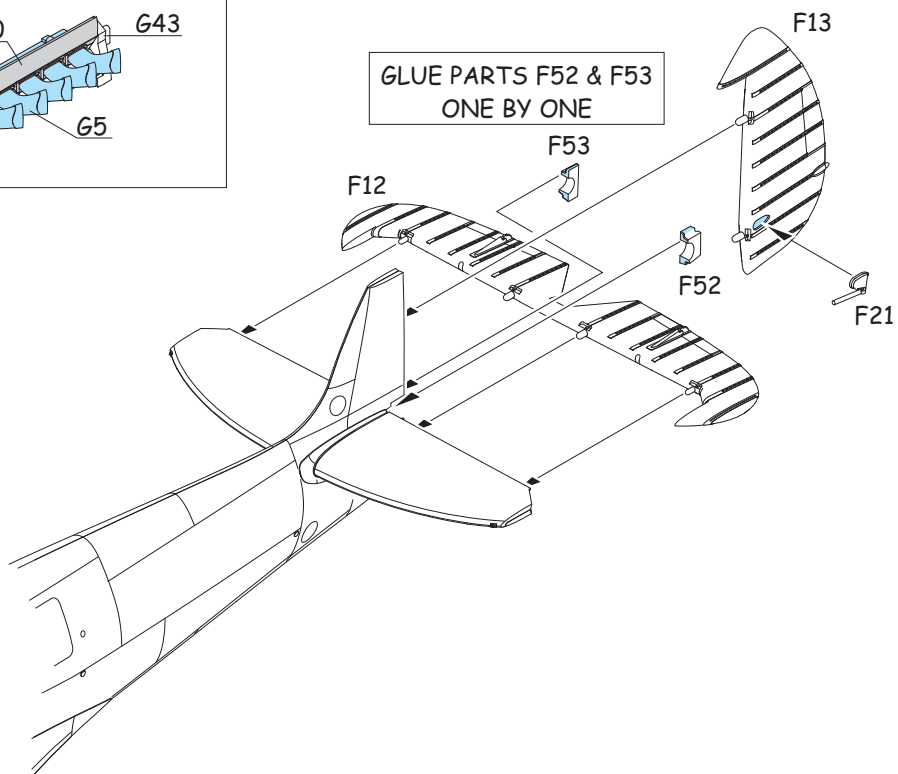
G59

G18





GLUE PARTS F52 & F53
ONE BY ONE



F11- MARKING A

F11

C138

?

C138

A7 ? F59

A7 ? F59 - MARKING B

I4

I16

A13 ? F58

A13 ? F58 - MARKING B

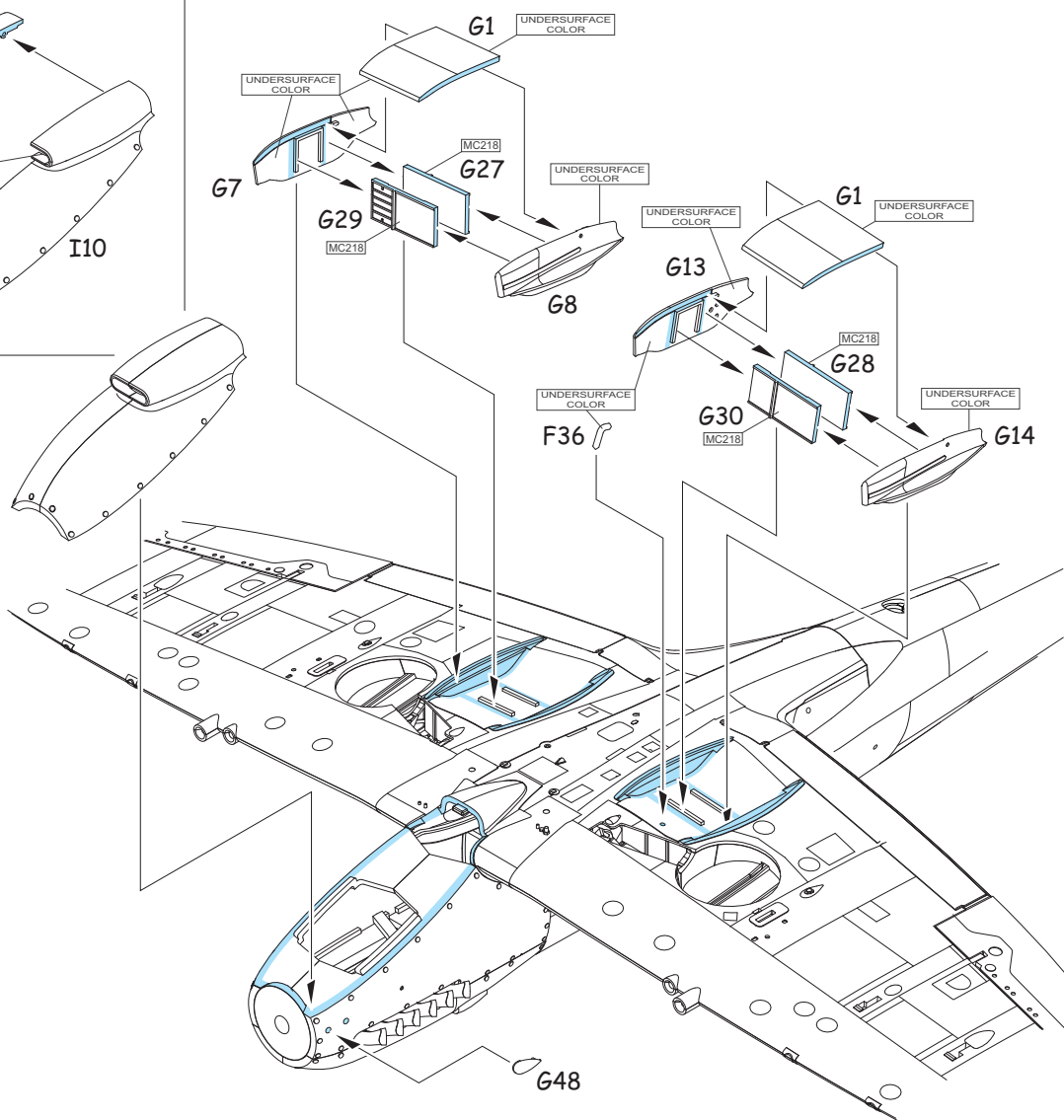
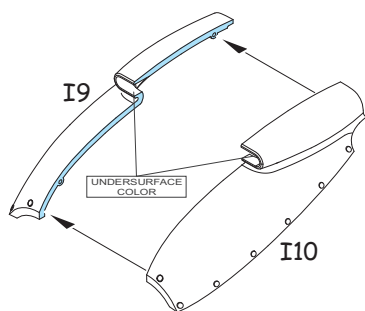
C47

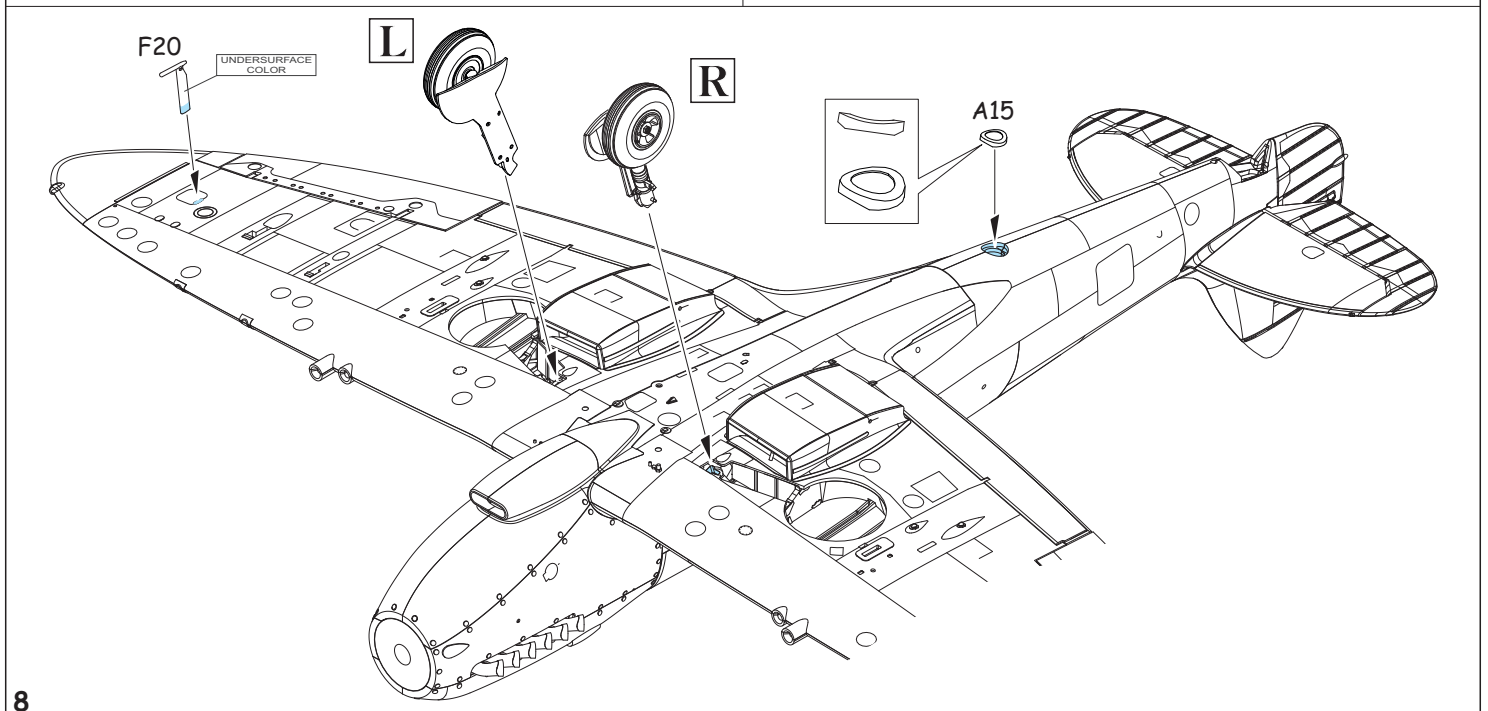
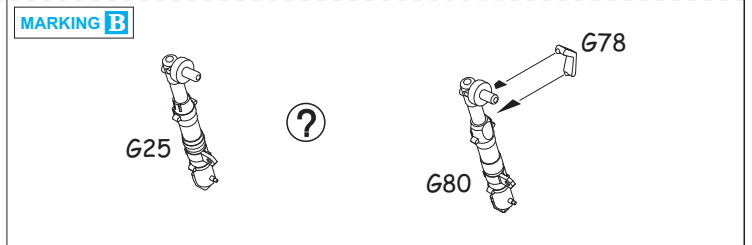
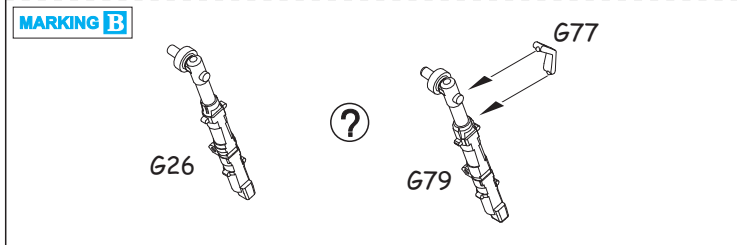
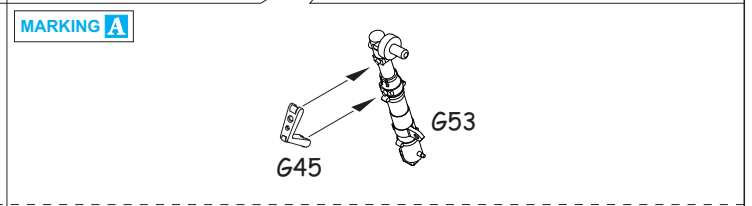
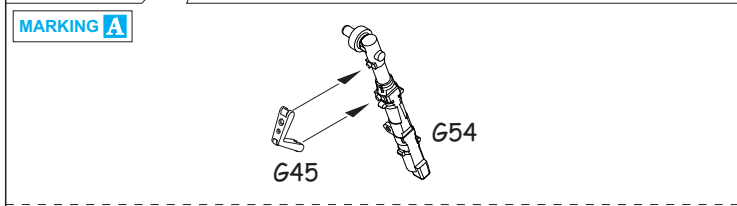
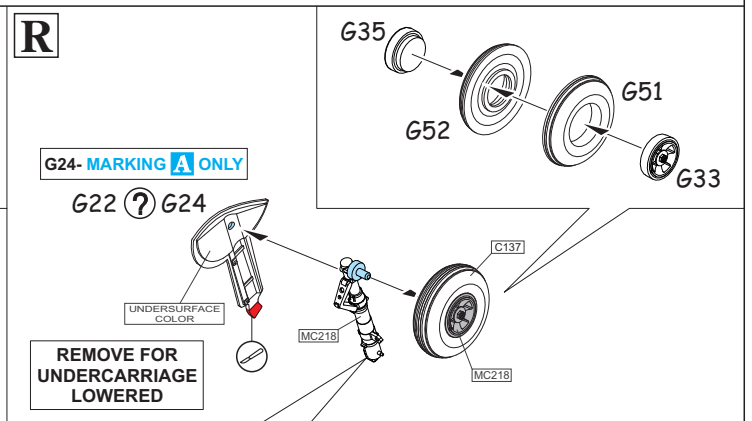
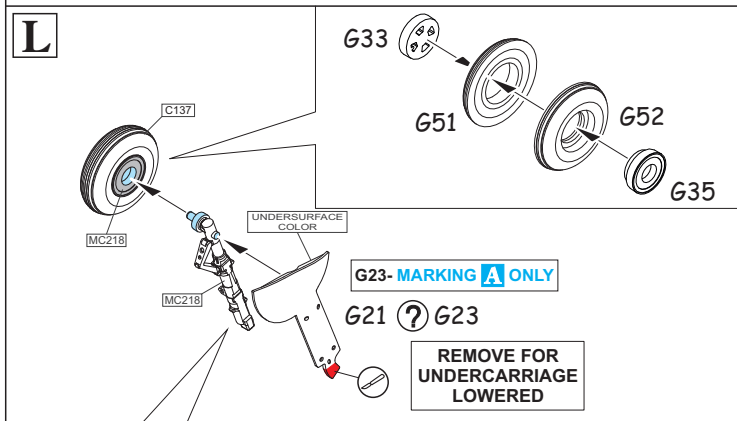
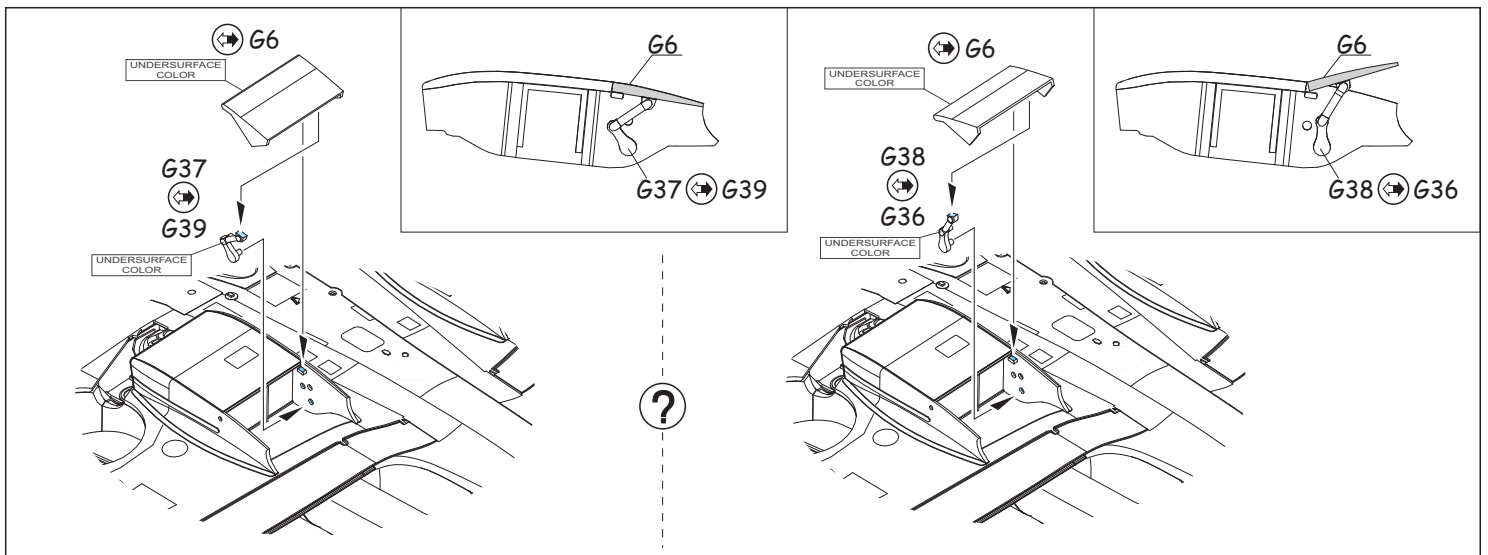
?

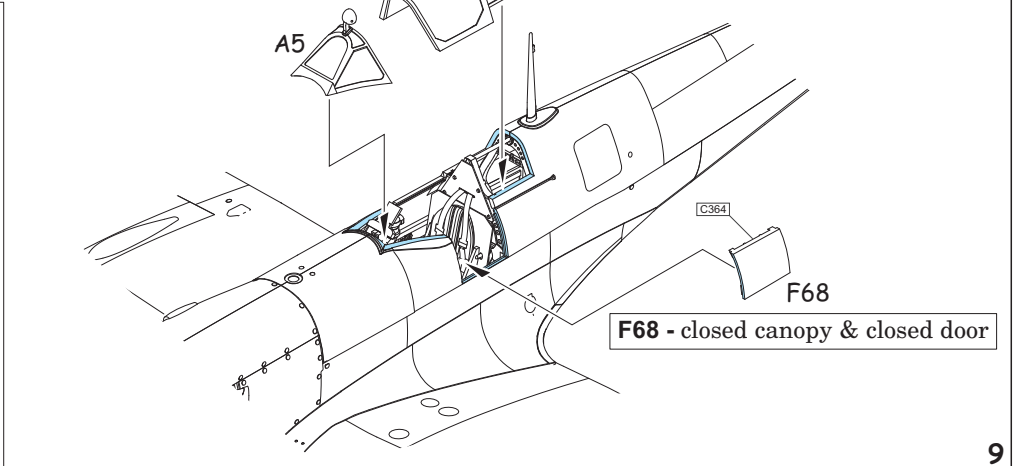
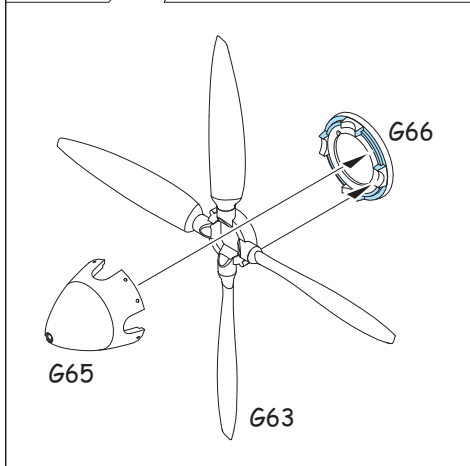
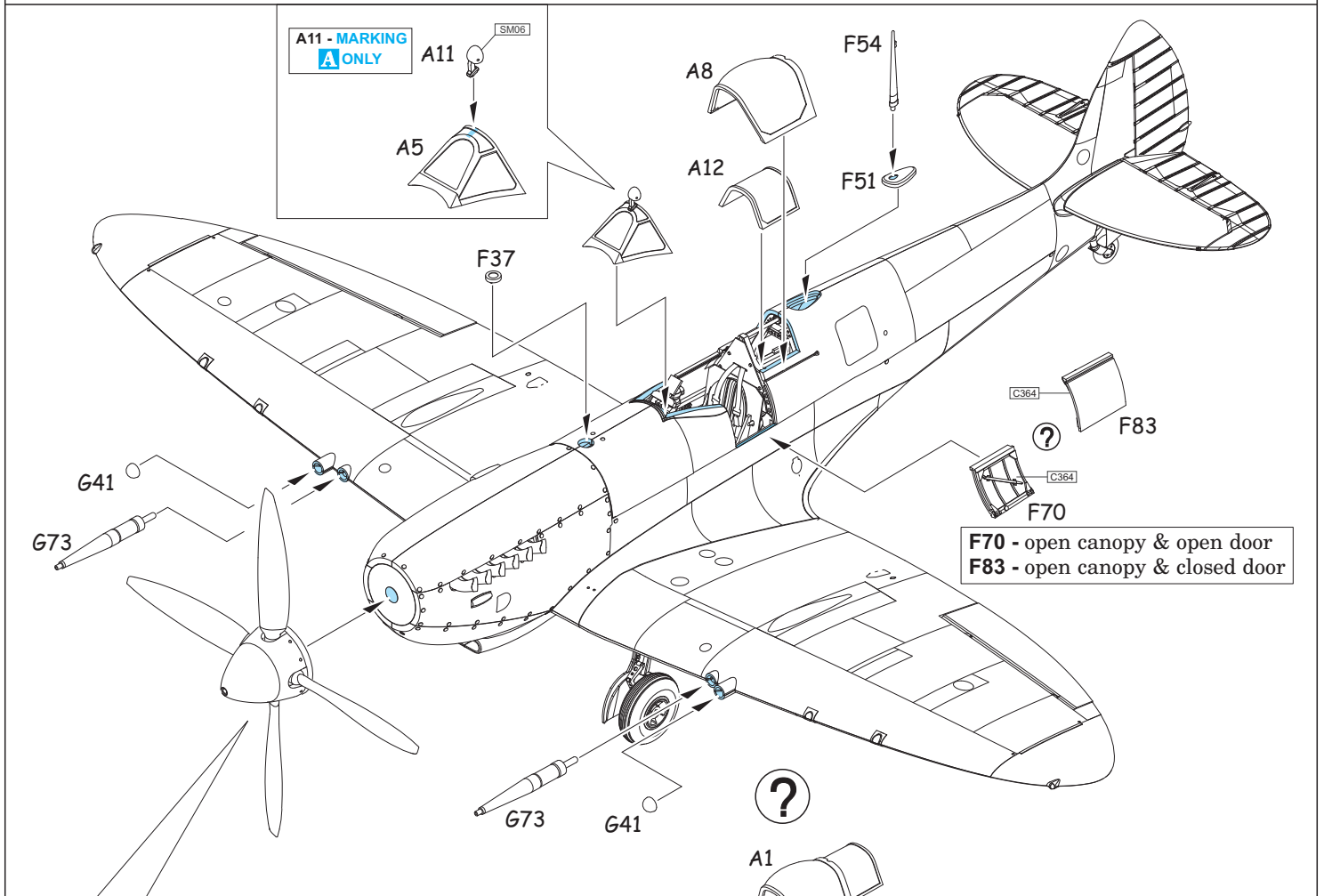
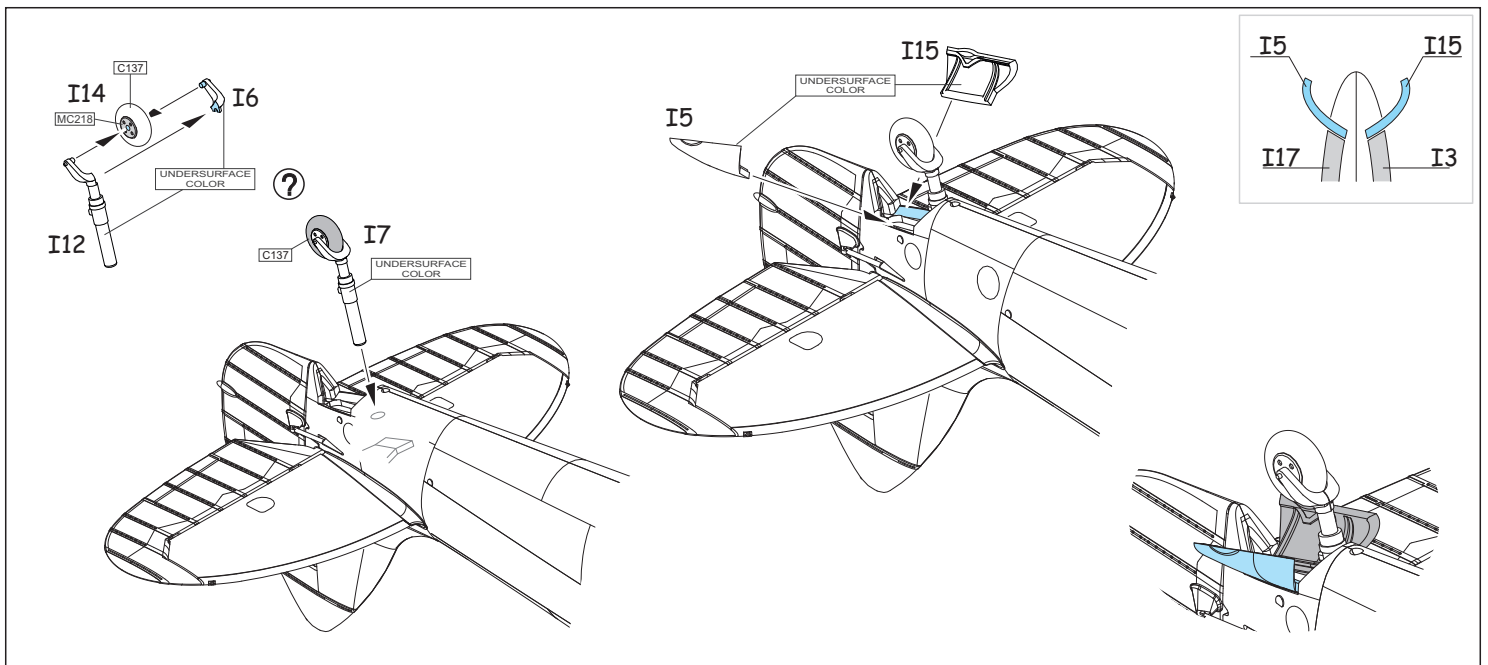
F10

F10- MARKING A

C47

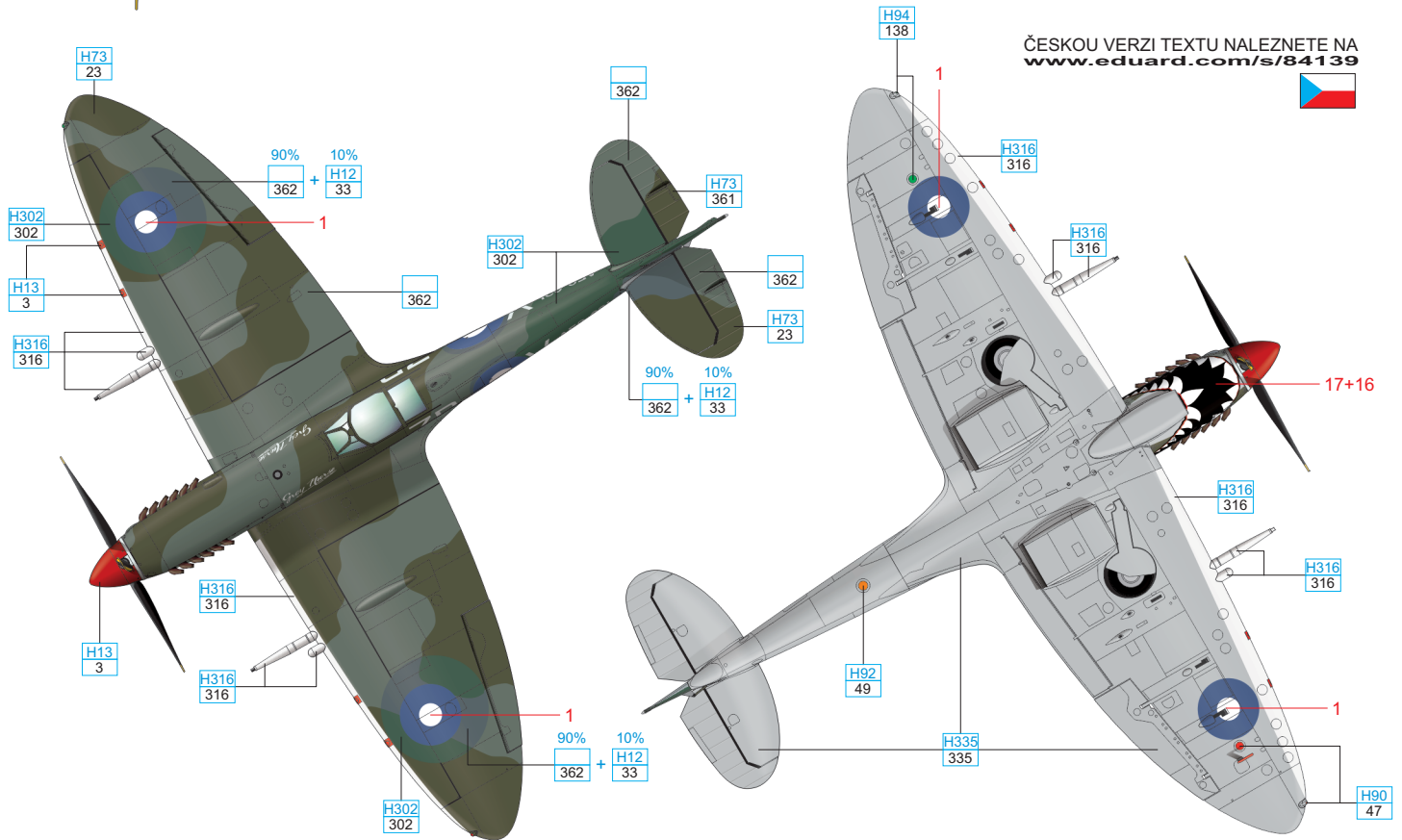
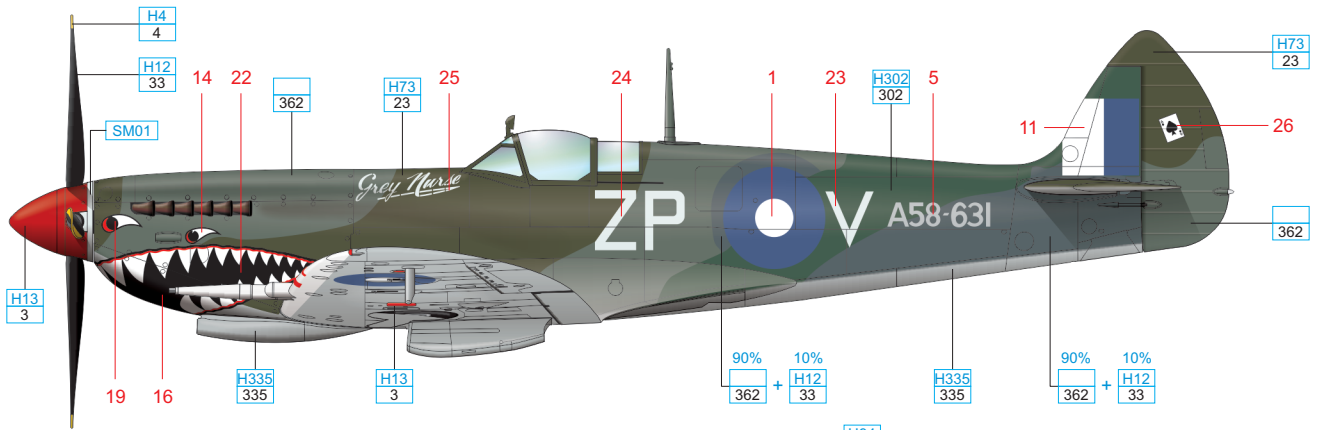




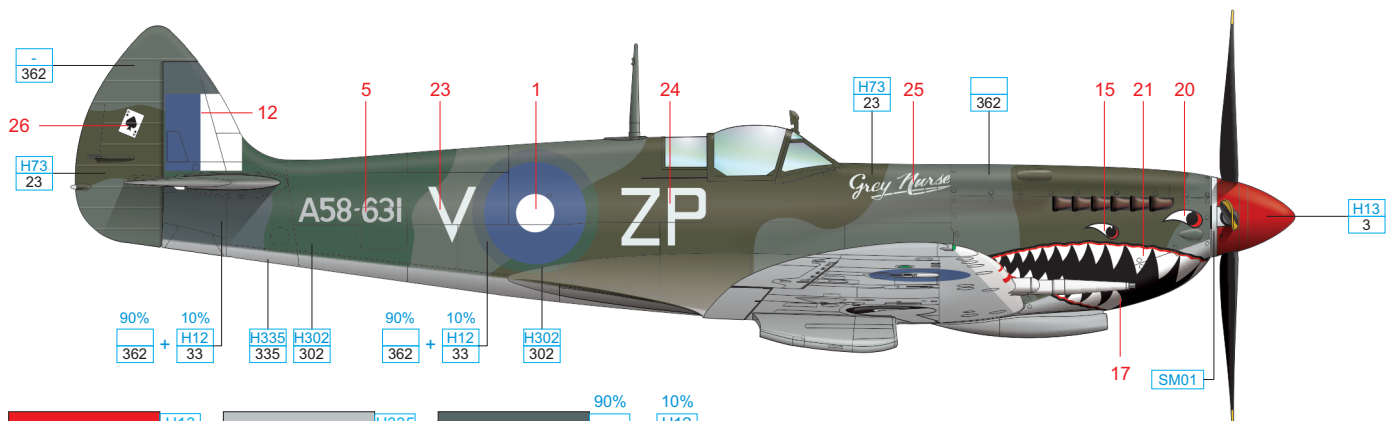


A A58-631, No. 457 Squadron, Morotai, Borneo, April 1945

The spinner of this plane was red when operating from Morotai base. Later, after relocation to Labuan, was the spinner painted Sky Blue and white leading edge was deleted, probably with Foliage Green colour. There was extensive repainting with Foliage Green and Dark Sea Grey on the rear fuselage where original serial, roundel and Sky band were overpainted. There were also shaded of eyes belonging to the previous smaller sharkmouth.



ČESKOU VERZI TEXTU NALEZNETE NA
www.eduard.com/s/84139

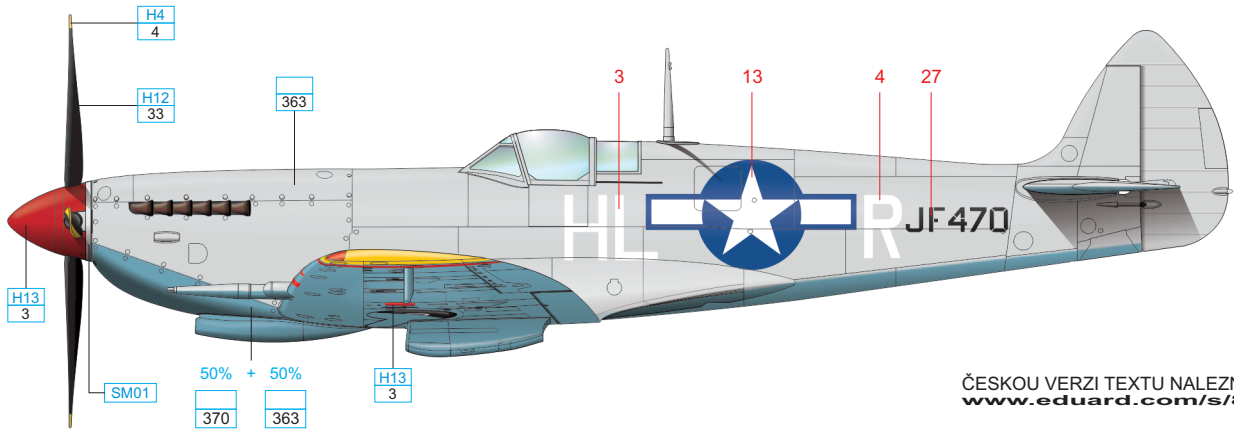


RED	H13 3	MEDIUM SEAGREY	H335 335	DARK SEA GREY	90% 362 + 10% H12 33	
YELLOW	H4 4	CLEAR GREEN	H94 138	CLEAR RED	H90 47	
OCEAN GREY	362	GREEN	H302 302	CLEAR ORANGE	H92 49	
		DARK GREEN	H73 23	SILVER	SM01	
			WHITE	H316 316	BLACK	H12 33

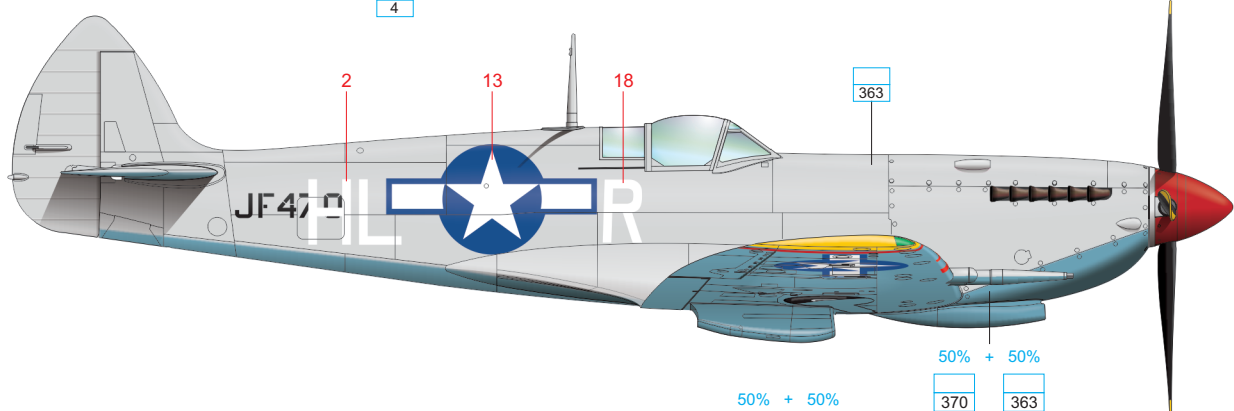
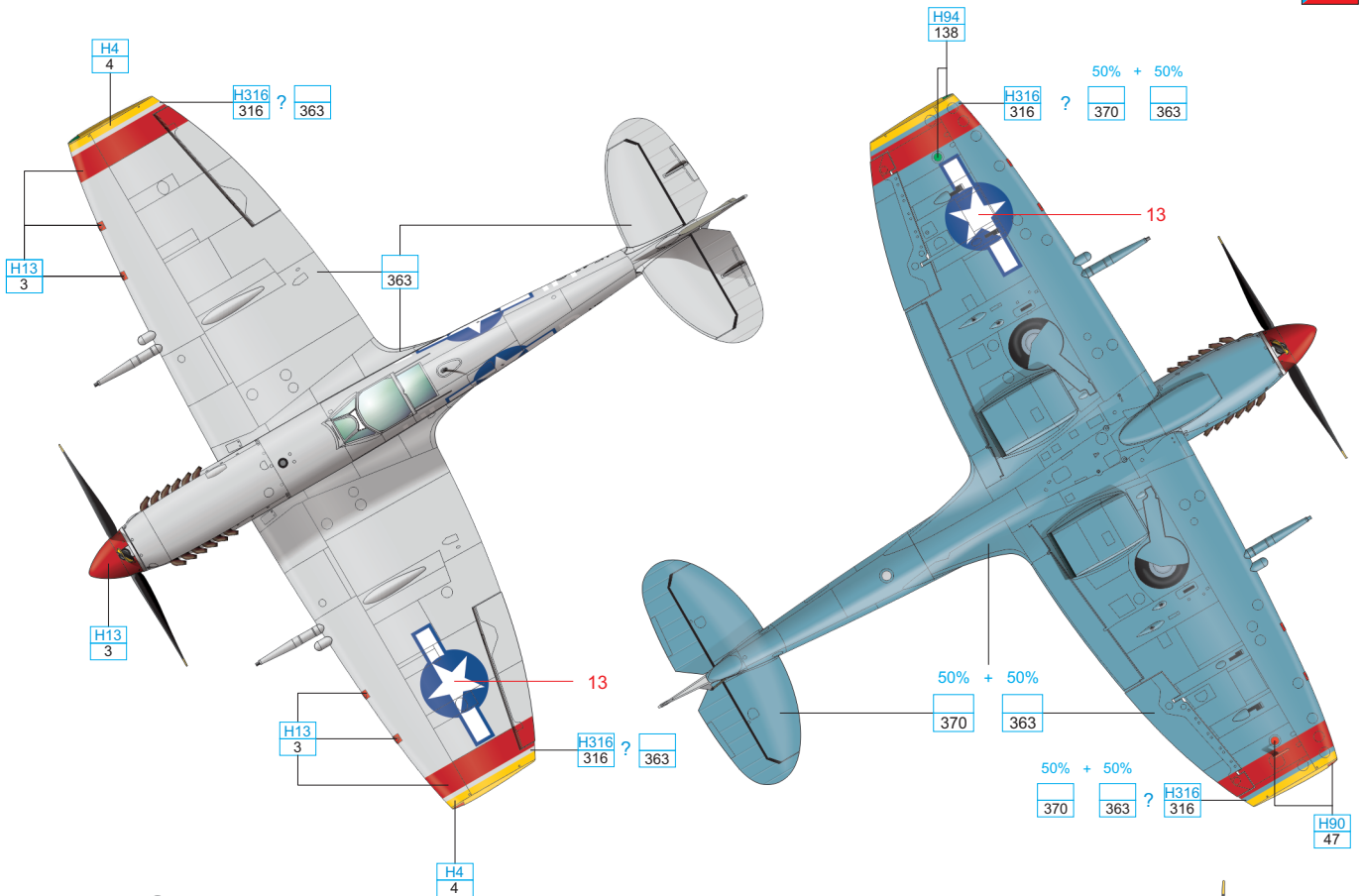
eduard

B JF470, 31st Fighter Group, 308th Fighter Squadron, Fano Air Base, Italy, 1944 – 1945

The 31st Fighter Group flew Spitfire Mk.Vs, Mk.VIIIIs and Mk.IXs from June, 1943 till March, 1944. The Group was subsequently re-equipped with P-51 Mustangs but a few Spitfires were retained as hacks. Mustangs flown by this FG had red-yellow stripes on the wing tips. The red color was usually closer to the wingtips, but it is not clear if the red color position was the same on this Spitfire. The wingtip appears to be yellow in available photos. The camouflage is probably that for high altitude fighters and consists of Medium Sea Grey on upper and PRU blue on lower surfaces. Note the clipped wings.



ČESKOU VERZI TEXTU NALEZNETE NA www.eduard.com/s/84139



YELLOW	H4 4	CLEAR GREEN	H94 138	CLEAR RED	H90 47	PRU BLUE	50% + 50% 370 363
MEDIUM SEA GRAY	363	RED	H13 3	BLACK	H12 33	SILVER	SM01
						WHITE	H316 316

eduard

Spitfire Mk.VIII

STENCILING POSITIONS

