

1/12  
SCALE

# US SPORTS CAR

MAG00019





**READ BEFORE ASSEMBLY:**

- This kit is not recommended for inexperienced modelers or for children under 14 years of age
- Study and understand these instructions thoroughly before beginning assembly
- When needed, remove photo-etch parts carefully using a modeling knife or photo etch sprue cutter, being careful not to damage or lose small parts.
- Take extra care in handling photo etch parts in order to avoid injury
- Apply instant cement sparingly to photo etch parts where instructed

- Tools recommended(not included in kit):Plastic and instant cements,sprue cutters,long nose pliers,modeling knife, small files, tweezers, pin vise & scissors. Soft cloth and sandpaper will also assist in construction
- Glue and paint are not included in the kit. Use plastic cement and hobby paints only. Color guide for purchasing paint is included in the kit.
- Keep out of reach of children. They must not be allowed to ingest small parts or handle plastic bags in any way.

**装配之前仔细阅读**

- 小心用模型锉刀锉平所有零件表面的注射浇口。
- 小心用刀片切下蚀刻片零件，不要遗失小零件。
- 用强力快干胶水粘合蚀刻片零件和金属轴。过量的快干胶水使用可能导致可动零件会粘住，小心涂胶。
- 取蚀刻片时应特别注意安全，防止利边划伤手指。
- 某些零件表面需贴水上贴纸，请选择在装配的同时进行。
- 推荐模型工具(自备)：胶水，水口剪刀，长咀钳，刀片，锉刀，镊子钳，钻，剪刀，瞬间快干胶。
- 软布同砂纸同时也是所需工具。
- 请使用塑料胶水和油漆，模型内不含。
- 谨防小孩吸吮塑料零件，或者将塑料袋套在头上，制作时应将套材远离小孩接触。
- 本产品不适合14岁以下没有经验的模型爱好者。

\* 说明书中含有重要信息，应保留。 Please Keep instruction since it contains important information.

**水贴纸的使用:**

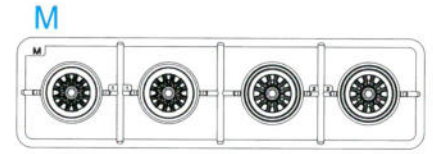
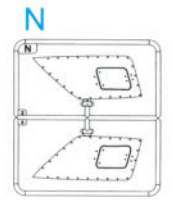
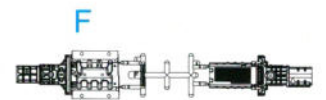
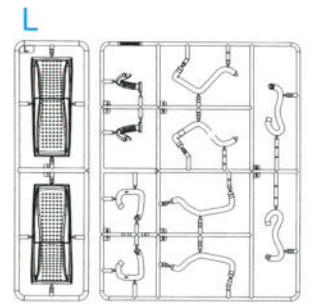
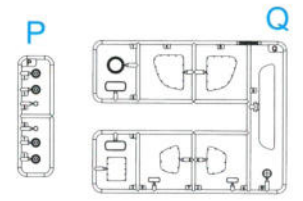
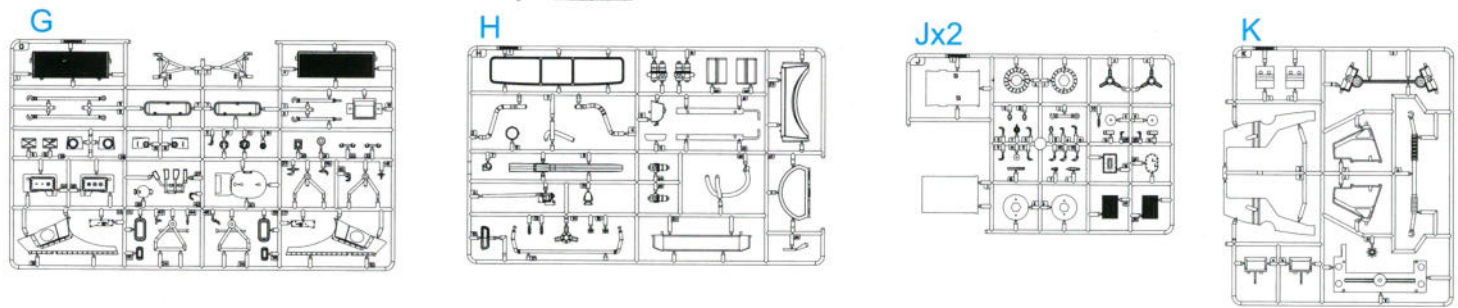
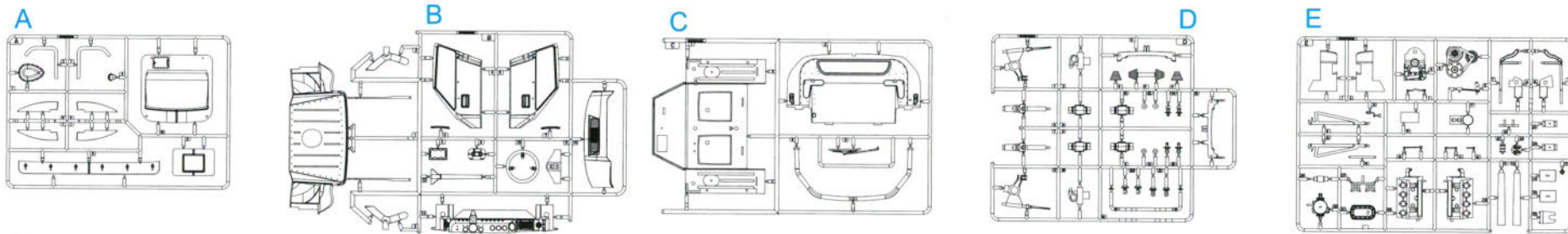
1. 从水贴上剪下印花;
2. 将印花放入温水中浸10秒，然后放在干净布上。
3. 拿着印花纸板将印花移到模型上;
4. 手指蘸水将印花移到适当的位置;
5. 用软布轻压印花直至水干，气泡消失。

**DECAL APPLICATION:**

1. Cut decals from sheet as needed
2. Dip the decal in warm water for about 10 seconds and then place on soft clean cloth.
3. Hold the decal backing sheet edge and gently slide the decal onto the model in its proper position.

4. While still wet, decal can be adjusted for better fit on model by dampening it gently with your finger.
5. When placed in the proper position, gently press decal down with a soft cloth until excess water and air bubbles are gone.
6. Allow decal to dry completely before handling model

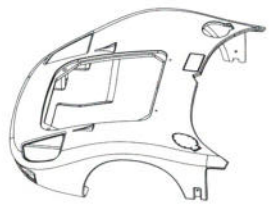
 使用强力胶 Cyanoacrylate glue	 配重 Weight	 钻孔 Make hole	 切除 Cut / Remove	 先装 Install it first
 贴纸 Decal	 锉平 File / Sand	 选择 Option	 不涂胶水 No cement	 弯曲 Bend



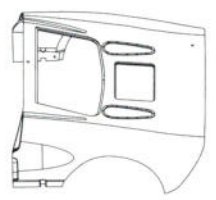
《后轮胎》  
Rear tyre



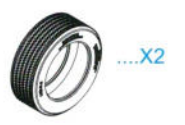
《车头》  
Front hood



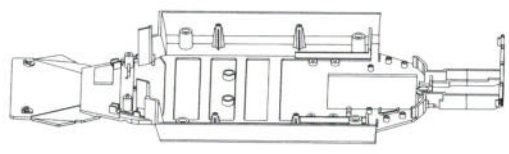
《车尾》  
Rear bodywork



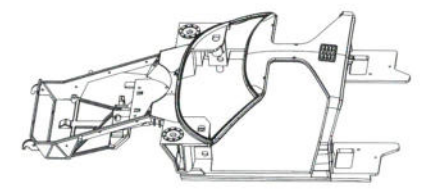
《前轮胎》  
Front tyre



《底盘》  
Chassis



《车架》  
Frame



部品图  
Parts

《方向杆》 $\varnothing 3.0 \times 91$   
Rod



《铁轴》 $\varnothing 1.5 \times 63.0$   
Shaft



《弹簧》1.0x16  
Spring



《弹簧》6.0x20.8 (长)  
Spring (longer)



《弹簧》6.0x11.6 (短)  
Spring (short)



《钢丝绳》(250mm)  
Steel cable



《气门咀》 $\varnothing 1.3 \times 3.6$   
Valve



《钉》 $\varnothing 2.0 \times 6\text{mm}$   
Peg



《啤钉》 $\varnothing 1.6 \times 7\text{mm}$   
Bolt



《夹形销》 $\varnothing 0.3 \times 7\text{mm}$   
Clip

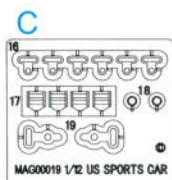
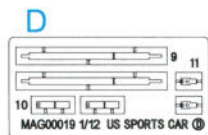
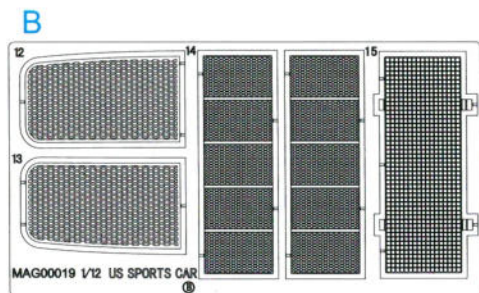
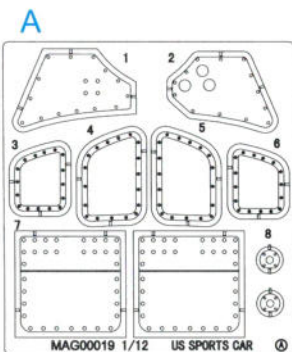


《弹性软管》 $\varnothing 9.2 \times 47.5$   
Flex hose



《蚀刻片》

Photo etched part(PE)



《衬垫》(大)  
Inner padding (thick)



《衬垫》(小)  
Inner padding (thin)



- 2.5x6.0螺丝 .....x2  
Screw
- 2.5x5.0螺丝 .....x13  
Screw
- 2.0x5.0螺丝 .....x4  
Screw
- 2.5x8.0螺丝 .....x4  
Screw
- 2.5x5.0螺丝 .....x1  
Screw
- 2.5mm螺母 .....x1  
Nut

《导线》(100mm)  
Wire



《胶管》(80mm)(粗)  
Soft tube(thick)



《胶管》(45mm)(细)  
Soft tube(thin)



《编织套管》(500mm)(细)  
Woven sleeving (thin)



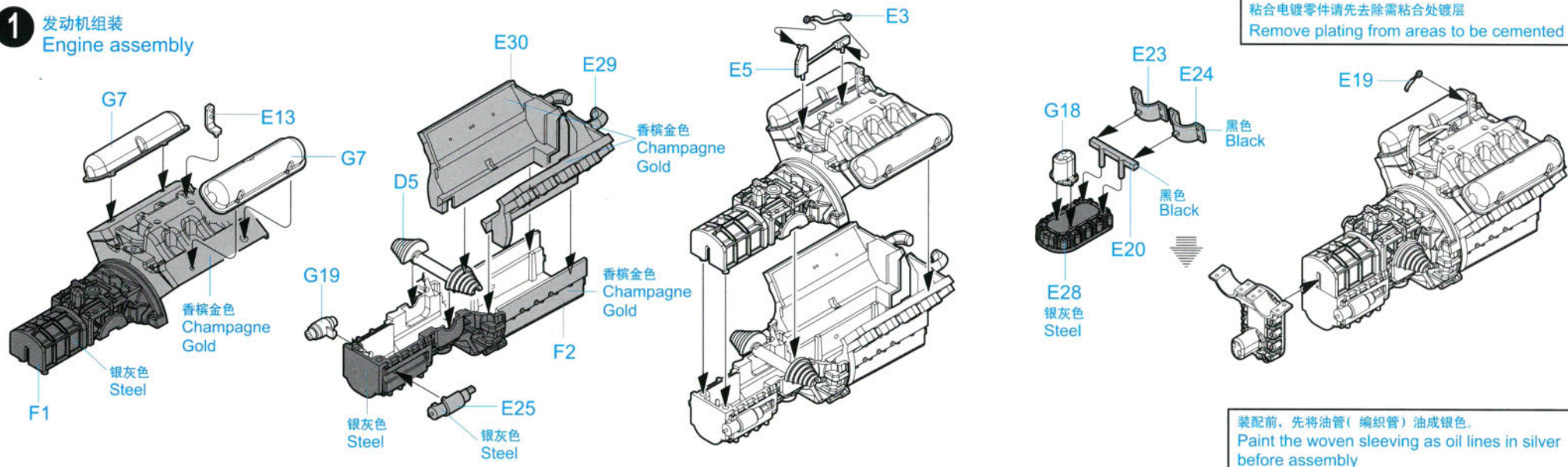
《编织套管》(500mm)(粗)  
Woven sleeving (thick)



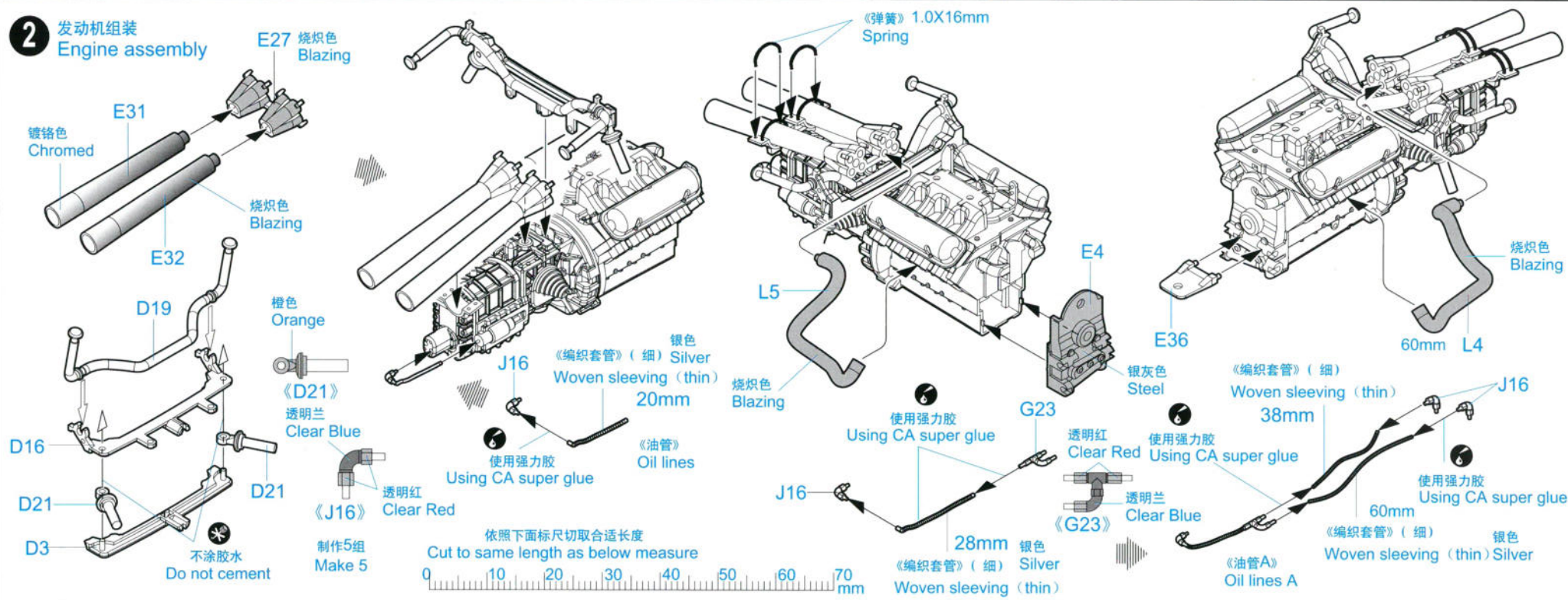
- 水贴纸 A .....x1  
Decal sheet
- 轮胎贴纸 B .....x1  
Tire Decal (GOOD YEAR)
- 水贴纸 C .....x1  
Decal sheet

- 反光贴纸 D .....x1  
Reflected mylar sheet
- 垫圈贴纸 E .....x1  
Washer
- 绒布安全带 F .....x1  
Fabric sheet (Seat Belt)

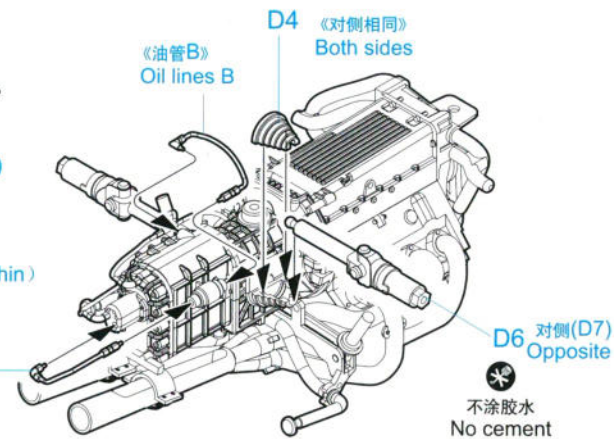
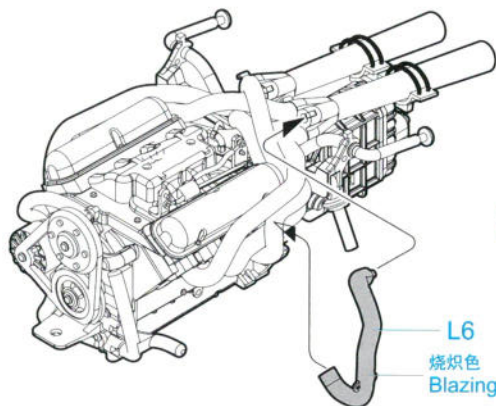
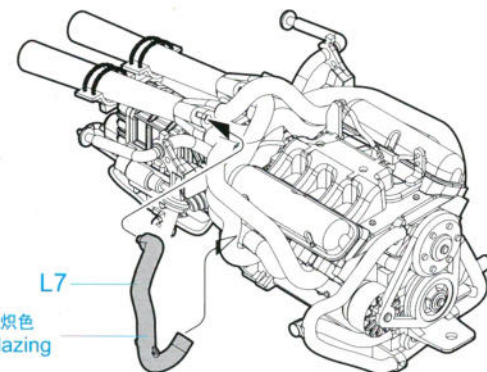
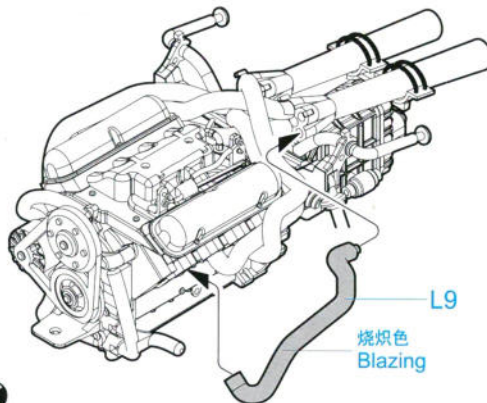
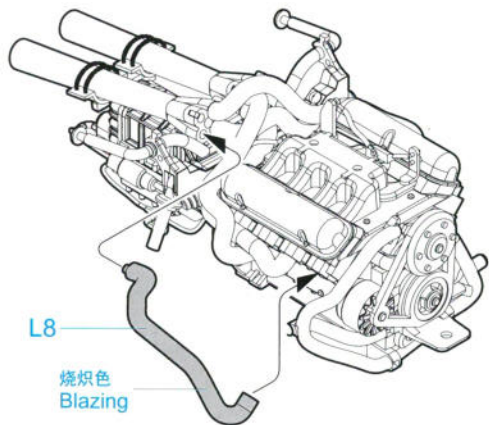
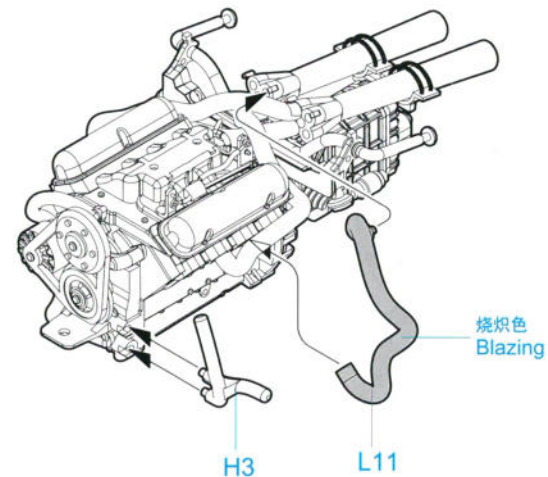
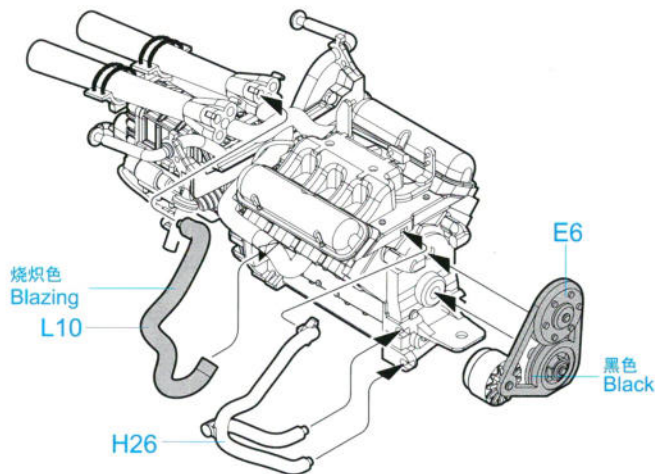
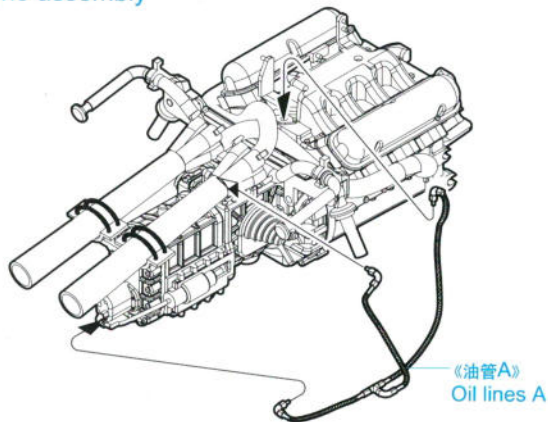
# 1 发动机组装机 Engine assembly



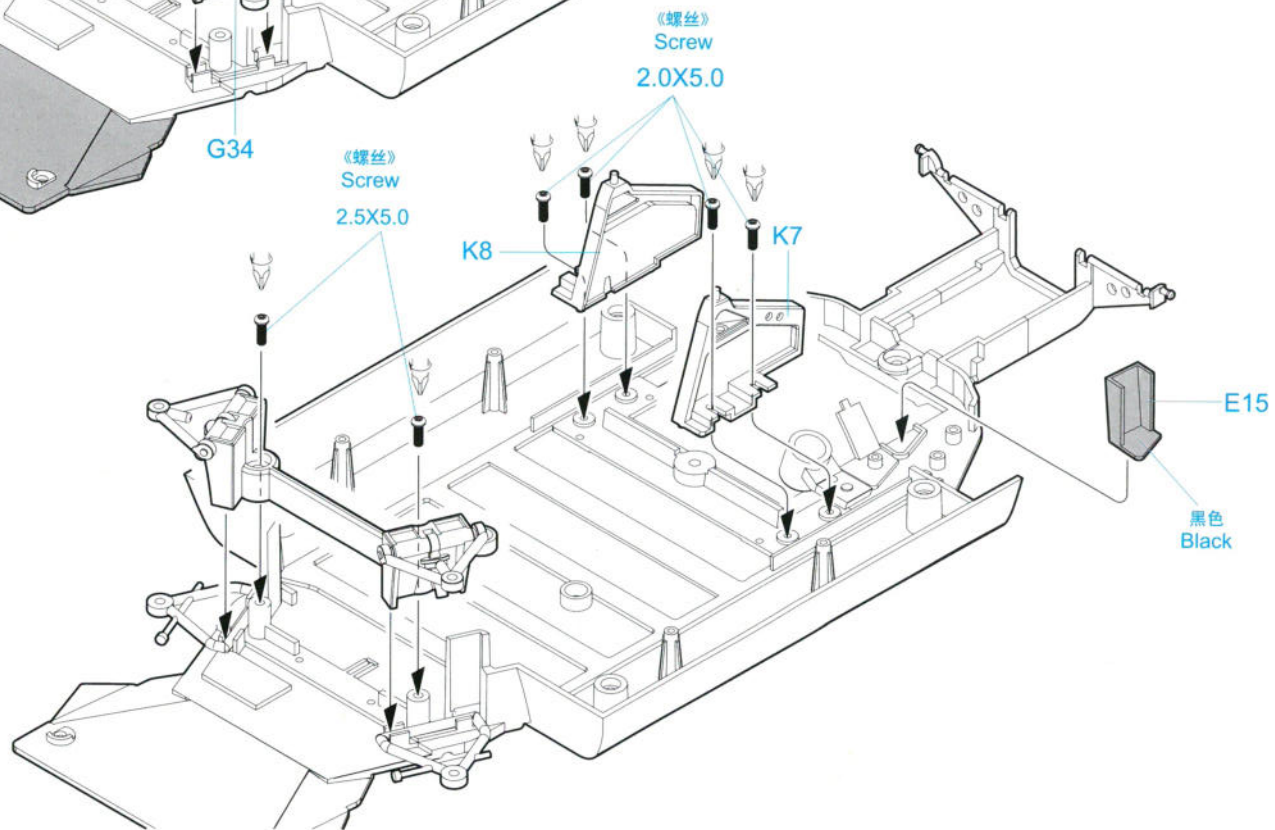
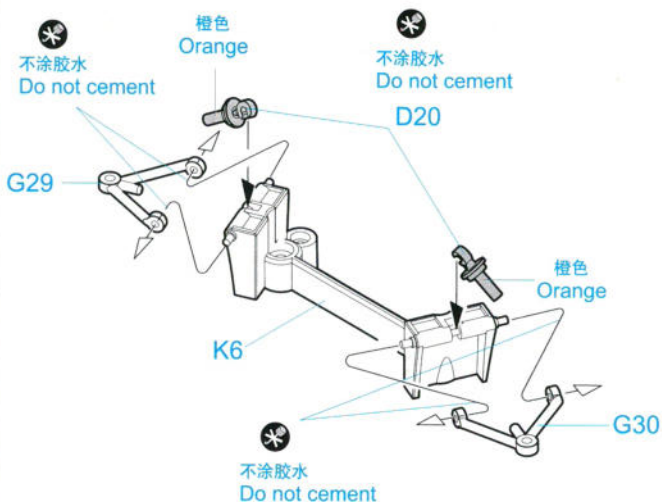
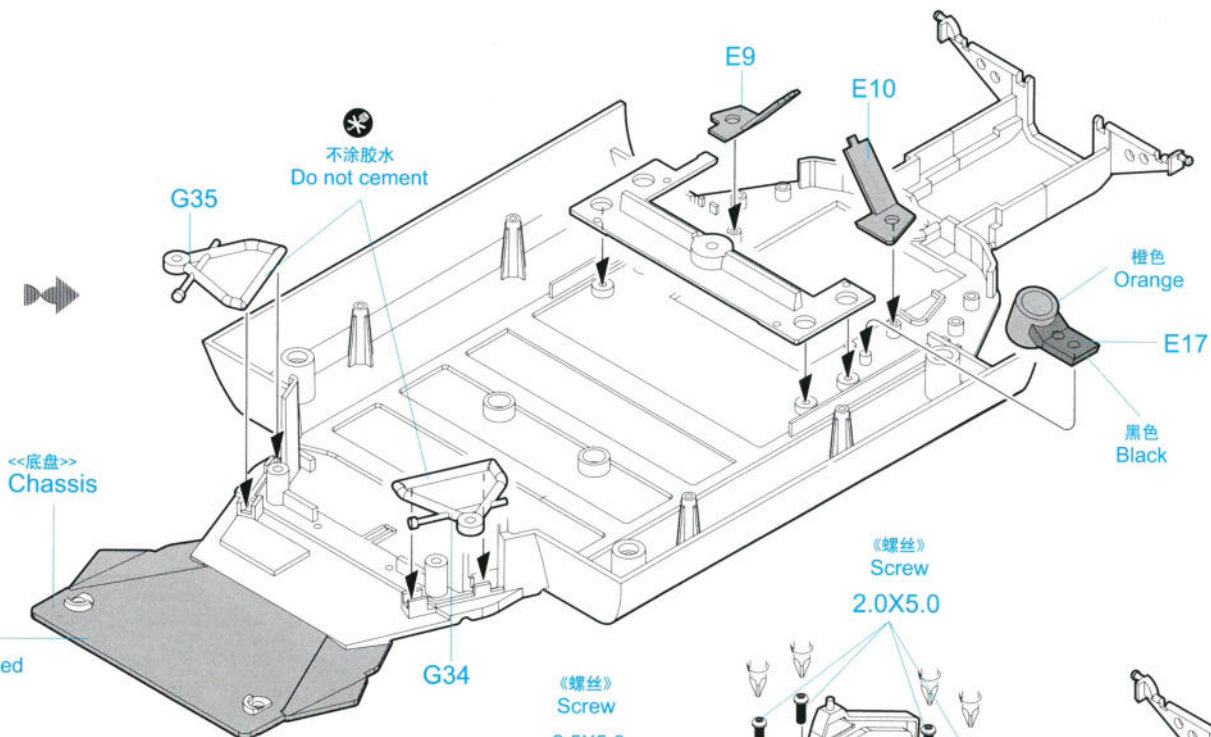
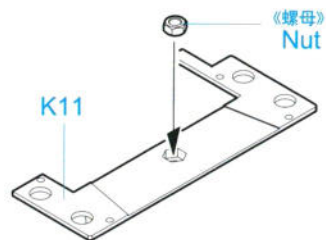
# 2 发动机组装机 Engine assembly



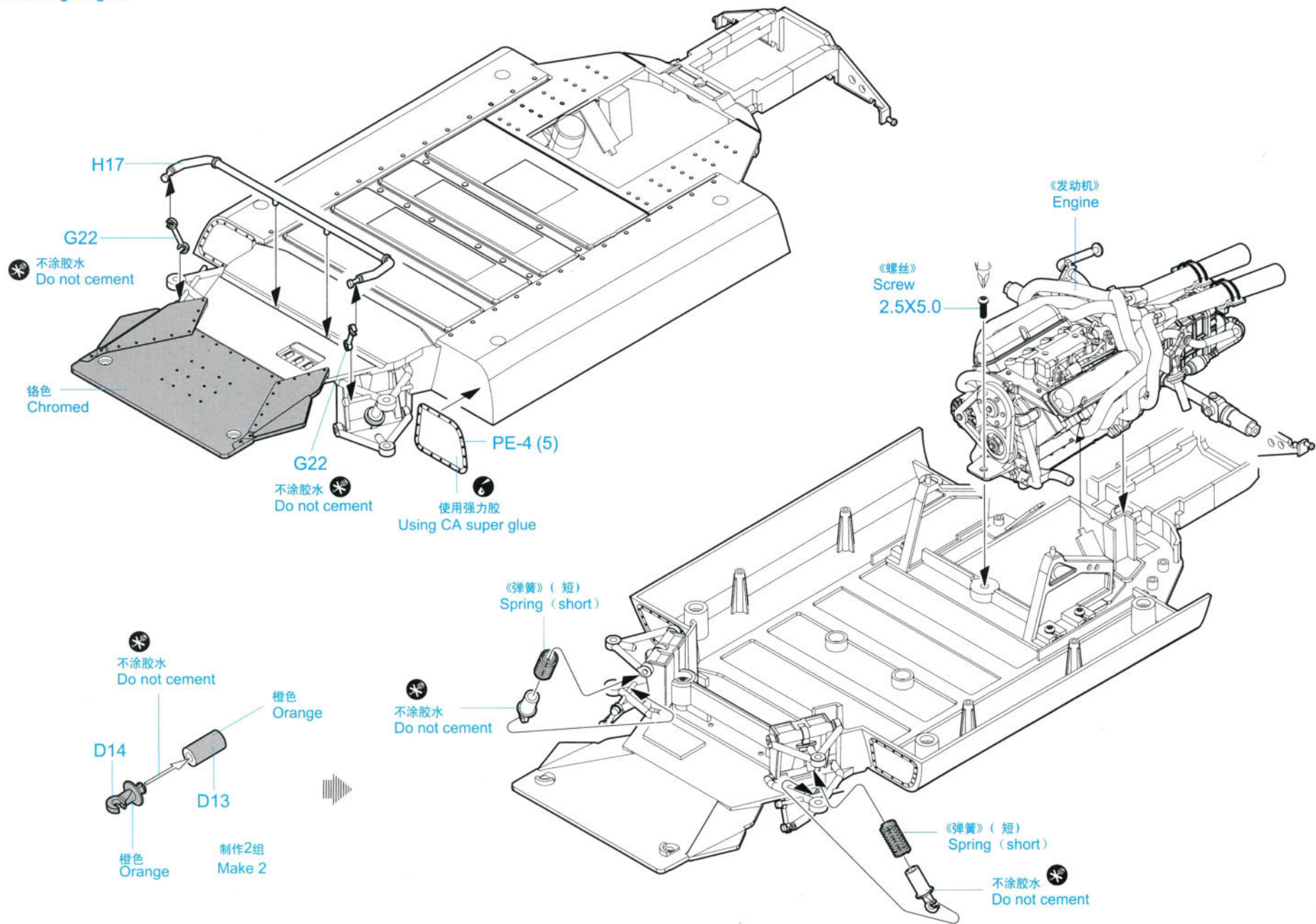
**3** 发动机组装  
Engine assembly



**4** 前悬挂安装  
Assembling front suspension

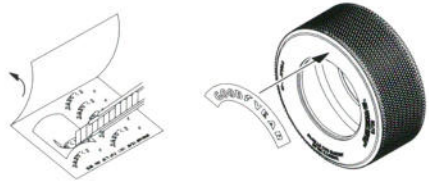


**5** 发动机安装  
Attaching engine





## 6 轮胎贴纸的使用方法 How to use the Tire Decal



- ① 用湿布擦拭轮胎表面。  
Wipe tire surface with a damp cloth.
- ② 拿掉保护纸, 注意不弄脏带粘性的表面, 用小刀沿着内层边缘把标贴从纸上剪下来。  
Remove protective paper. Be careful not to soil the adhesive surface. Cut out decal and peel off the lining using edge of a knife blade.
- ③ 把标贴放到指定的位置, 并在上面用手指轻轻的刮擦。  
Place decal into position and rub lightly with your
- ④ 如果标贴未贴上, 用沾水的手指补充水份。  
Apply moisture with a wet finger.
- ⑤ 剥离底纸。  
Carefully remove the paper.
- ⑥ 用软布擦掉多余的水份。  
Wipe off excess moisture with a soft cloth.

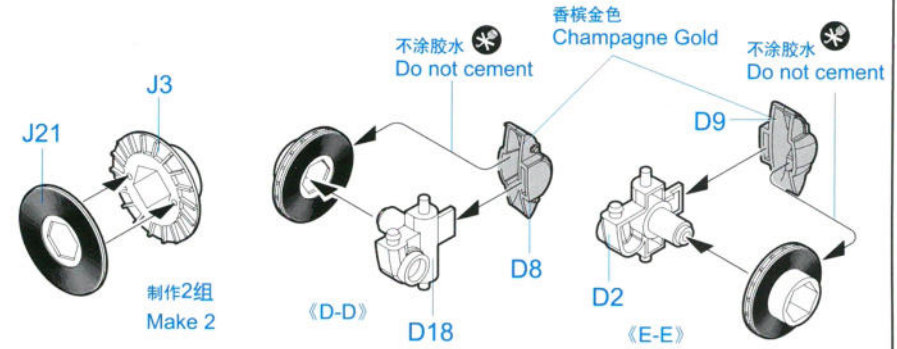
## 7 后轮组装 Rear wheel assembly



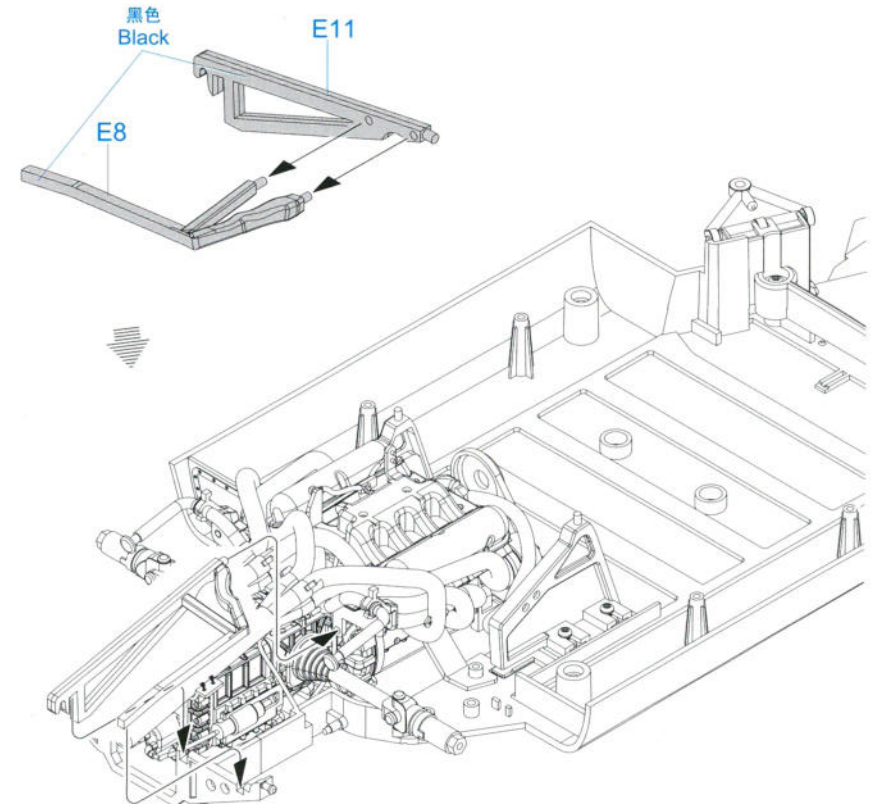
## 8 前轮组装 Front wheel assembly



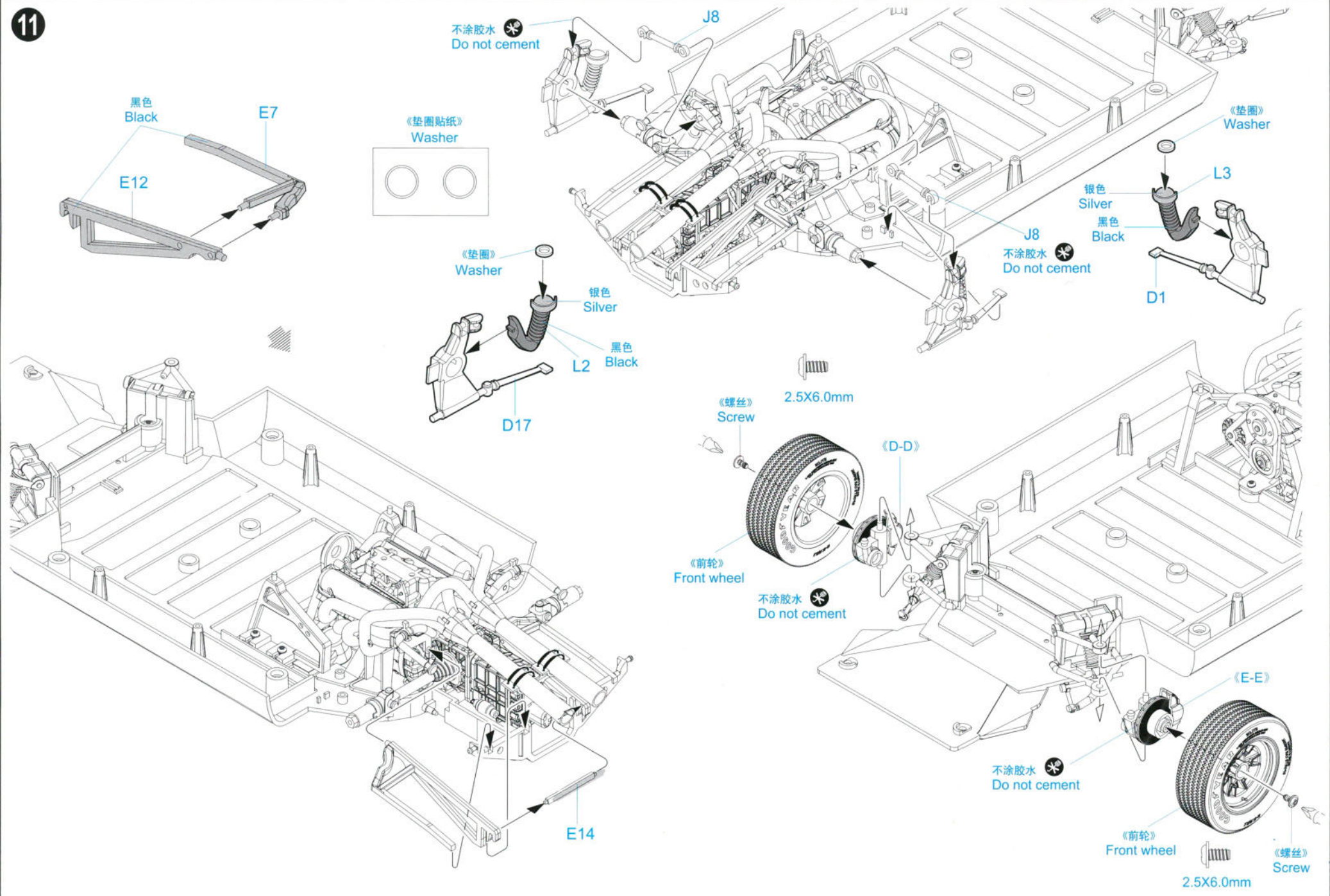
## 9 前制动盘组装 Front brake disc assembly



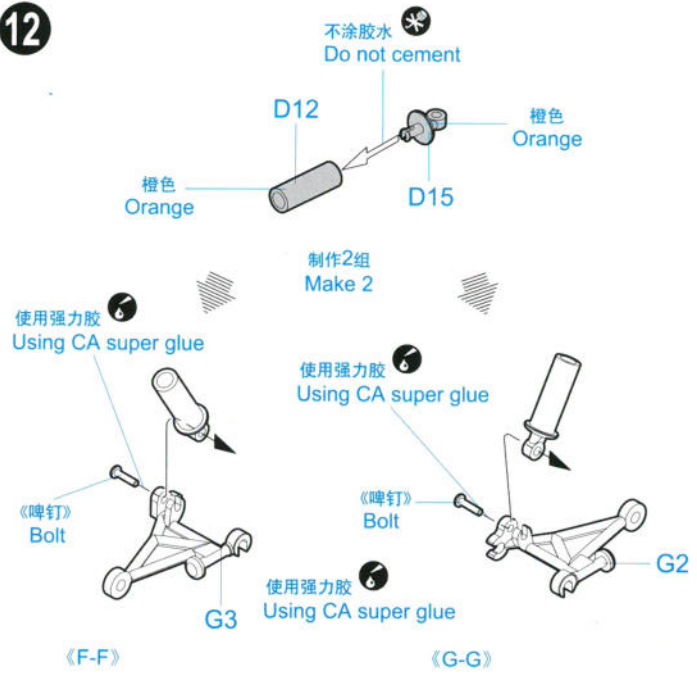
## 10



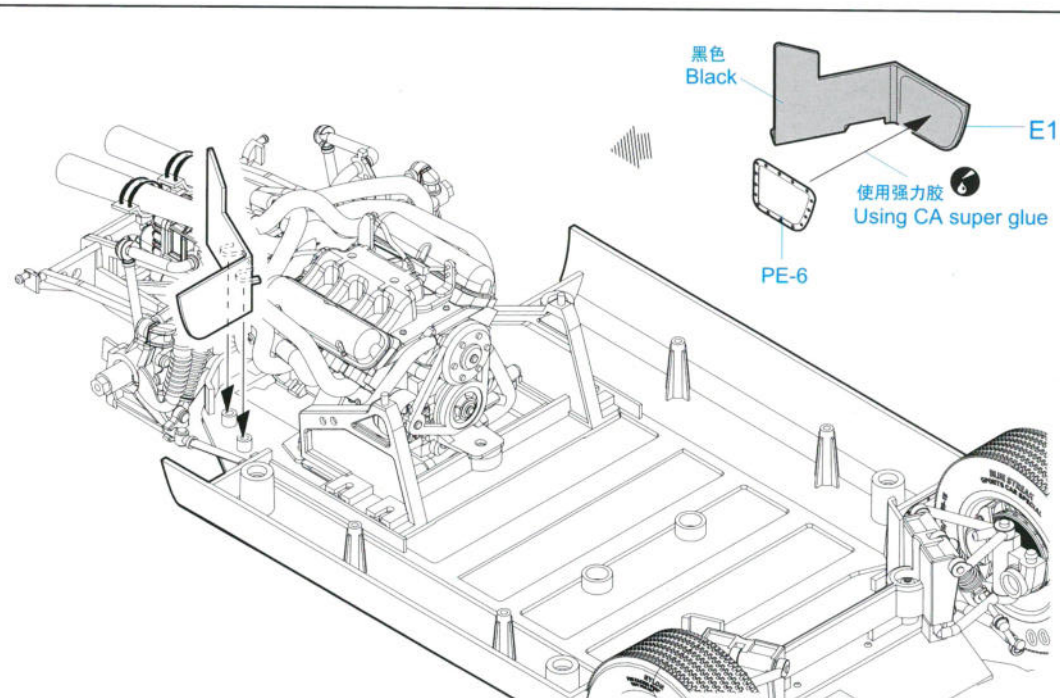
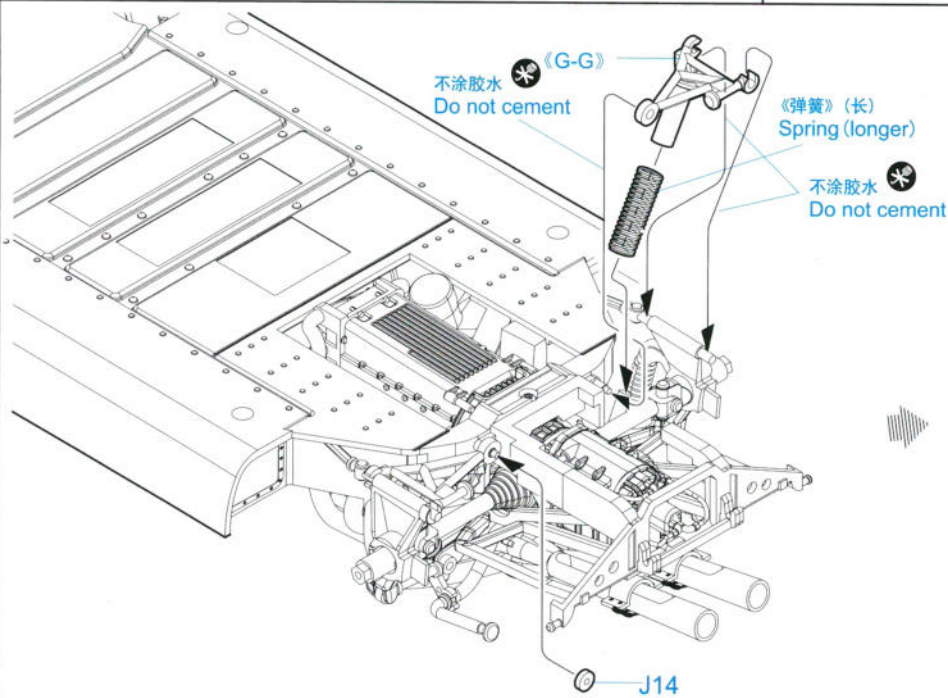
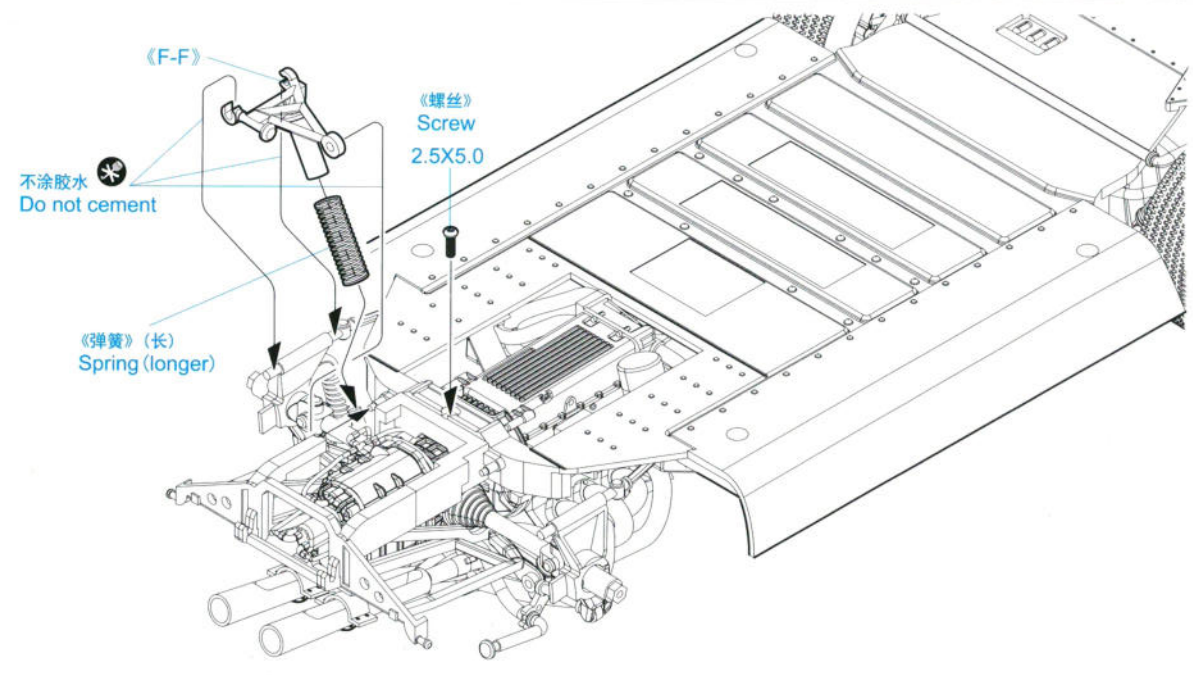
11



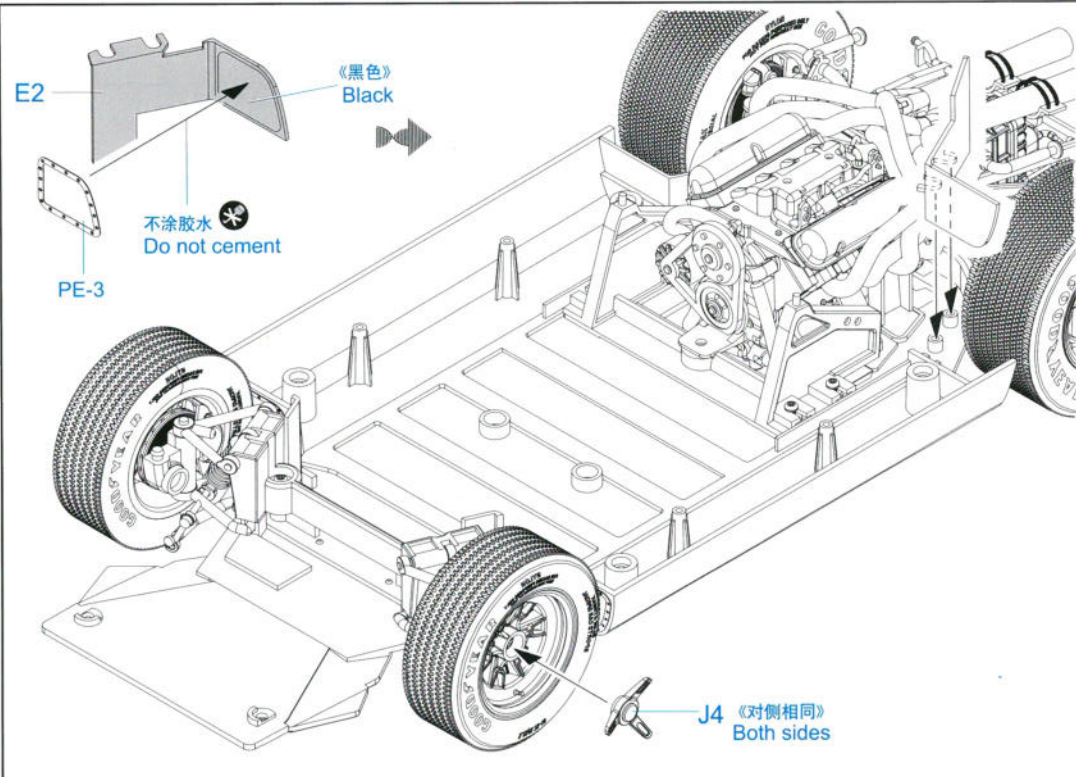
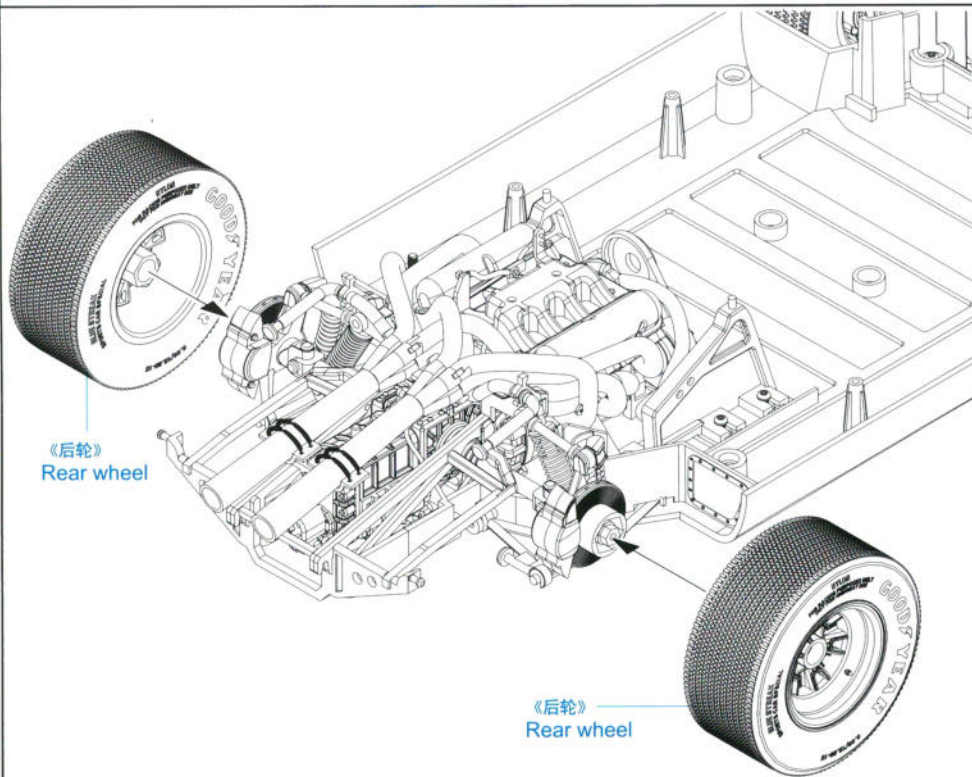
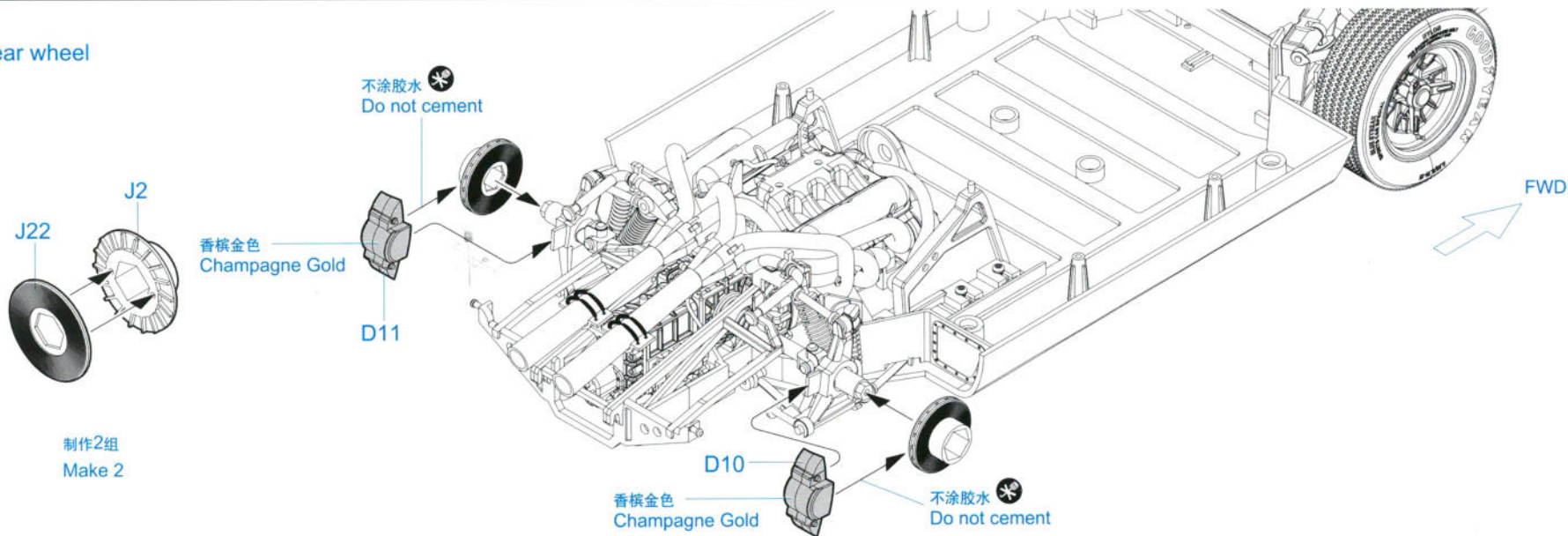
12



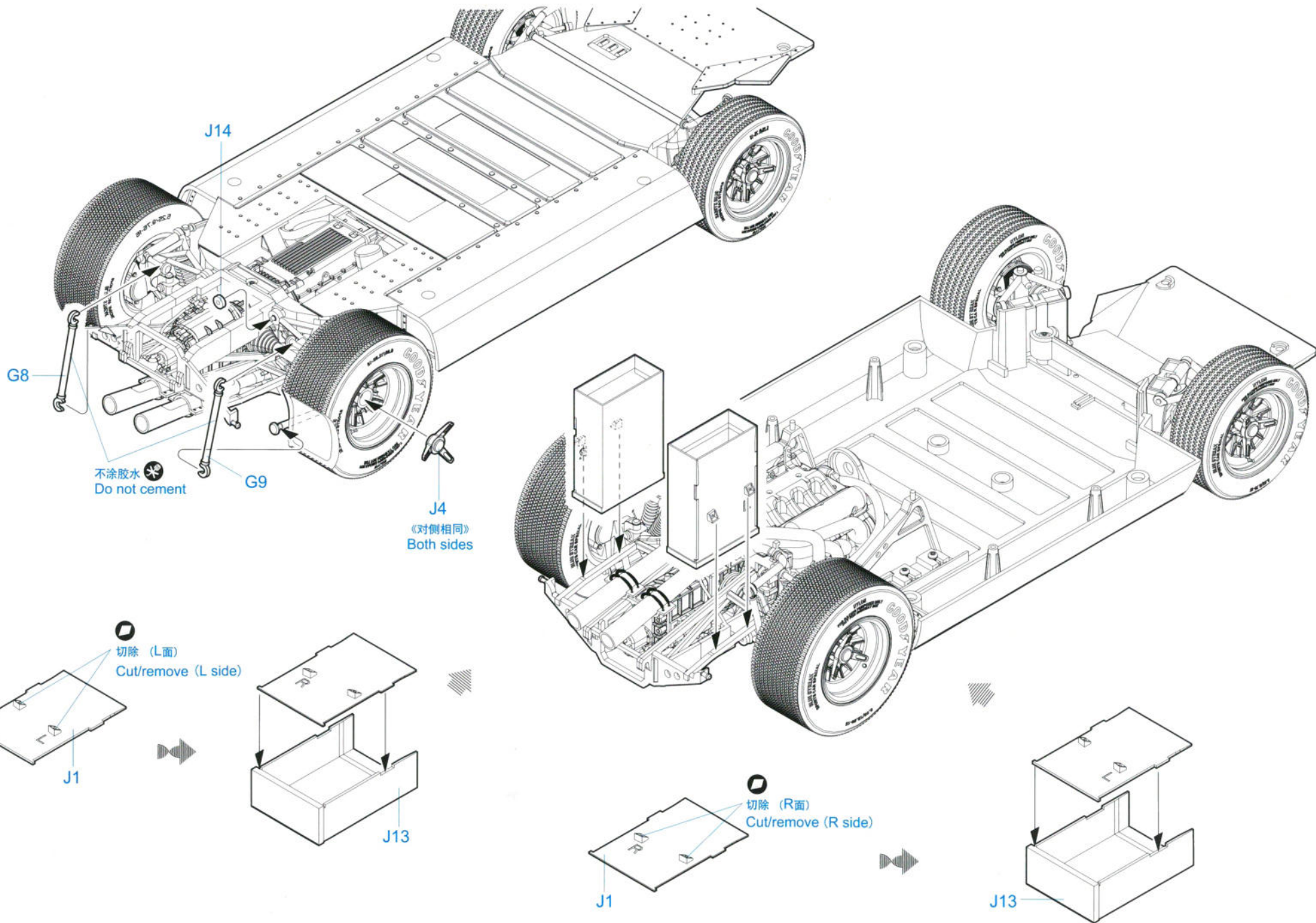
13



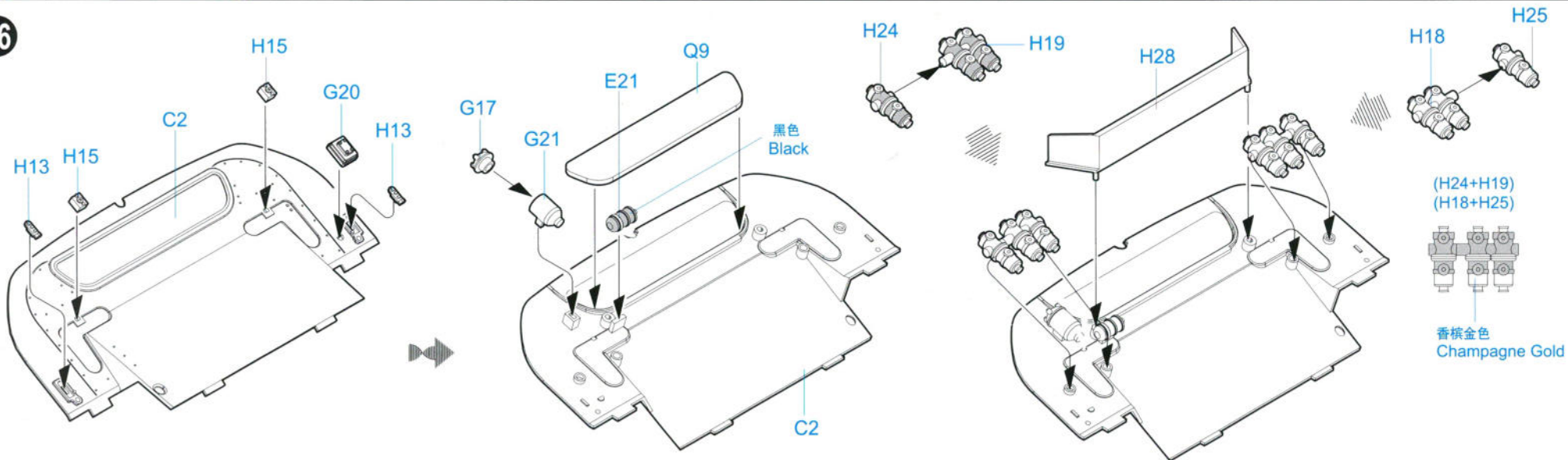
**14** 后轮安装  
Attaching rear wheel



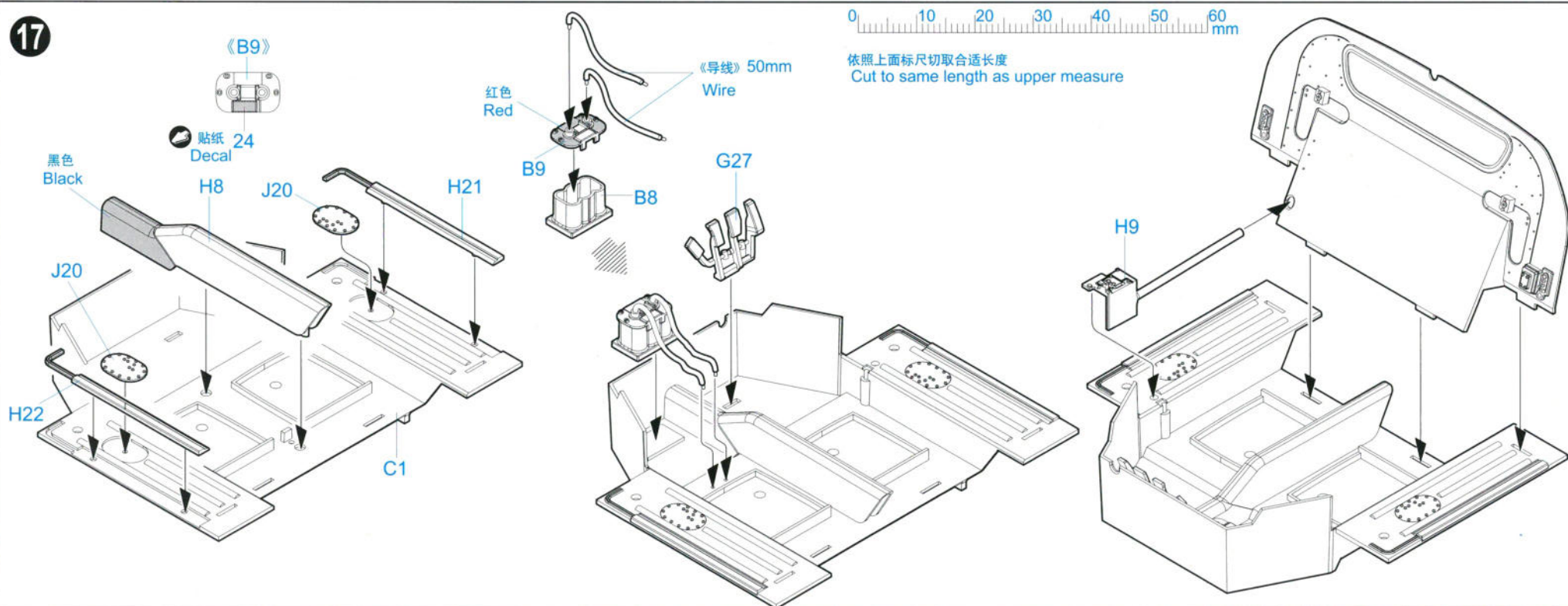
15



16

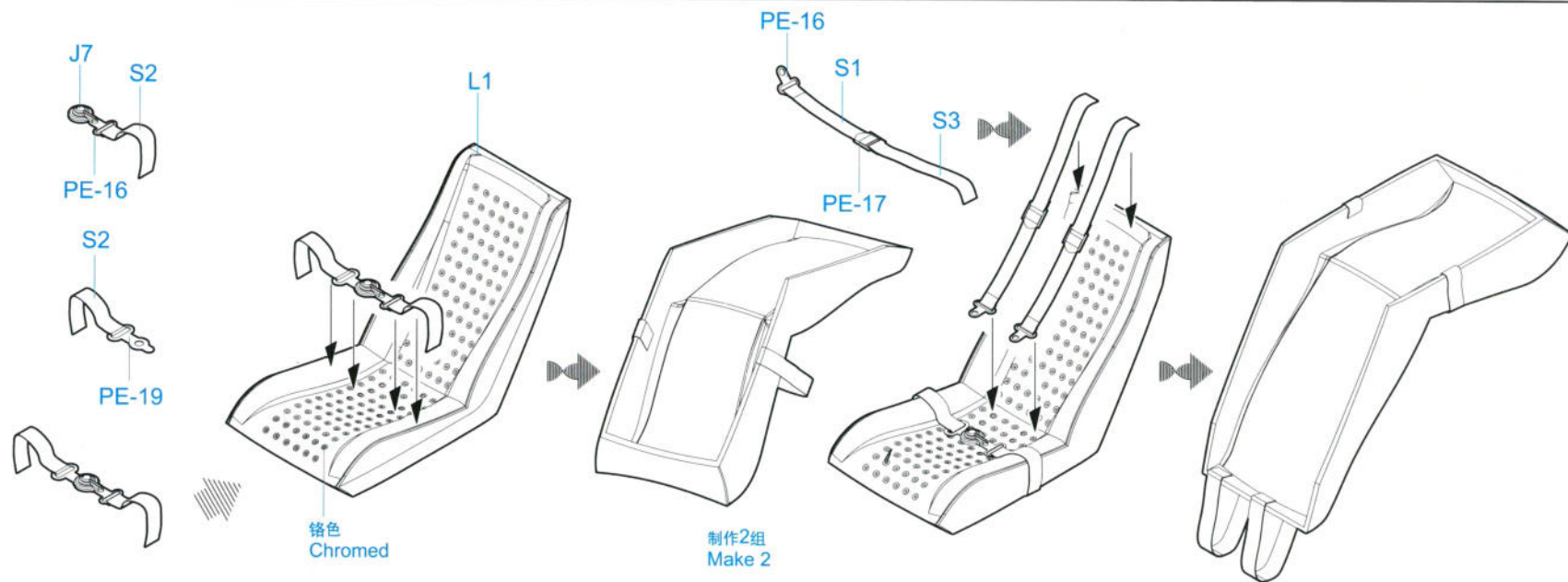
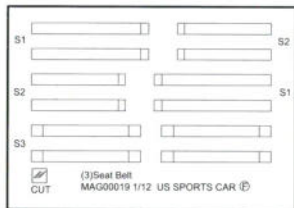


17

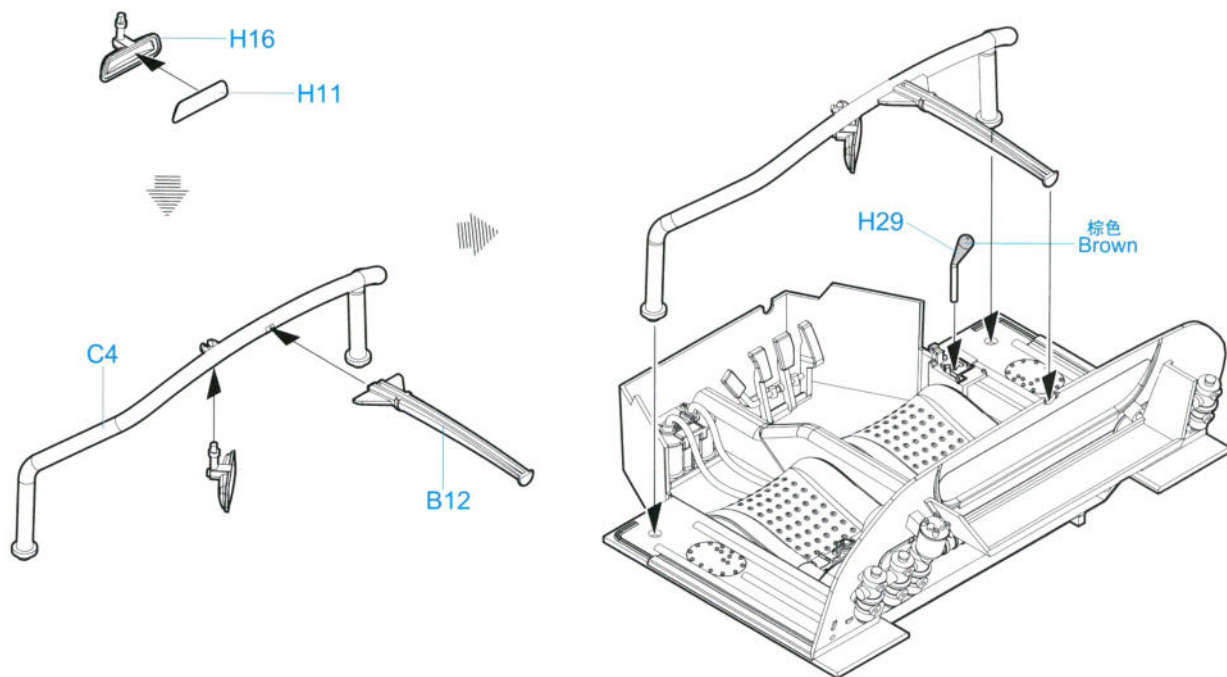
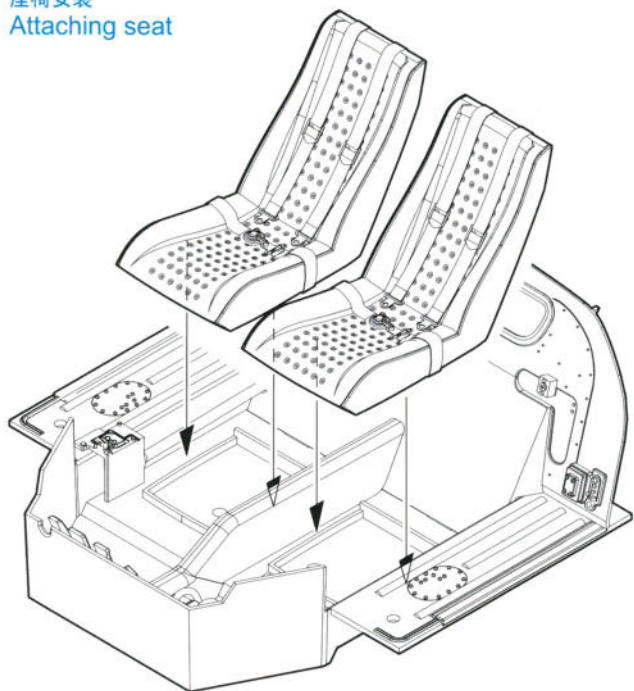


## 18 座椅组装 Seat assembly

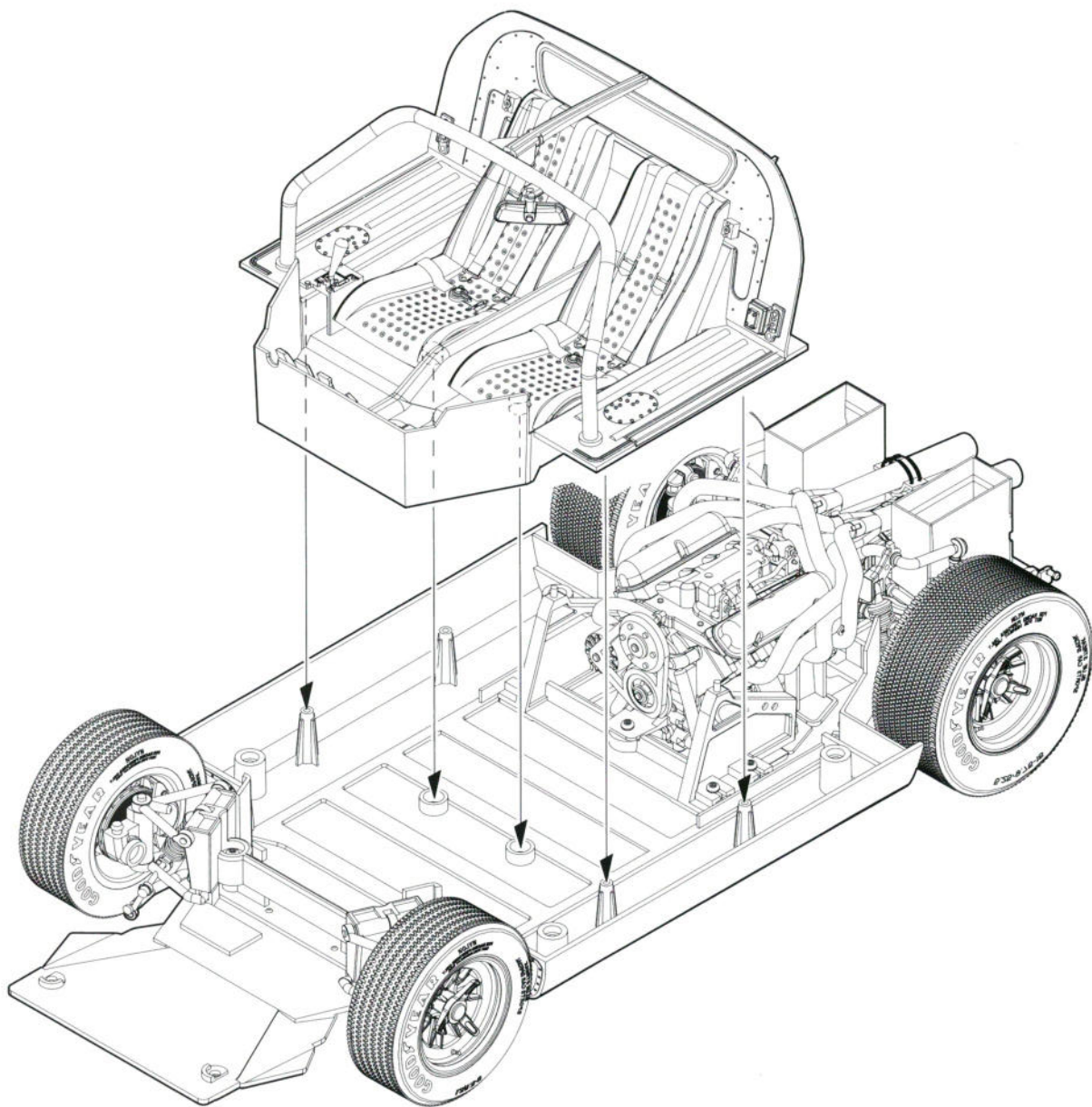
裁切安全带  
Cut out seat belt the same  
size as illustration



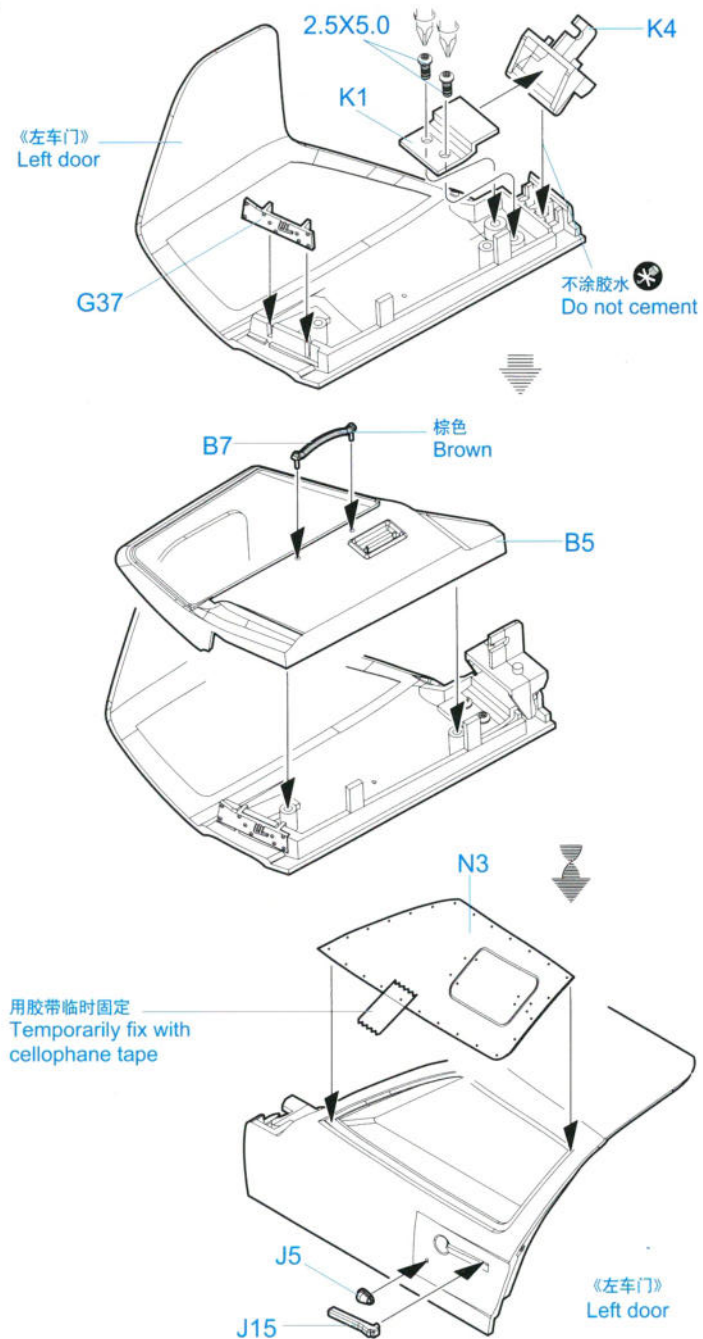
## 19 座椅安装 Attaching seat



20 座椅安装  
Attaching seat

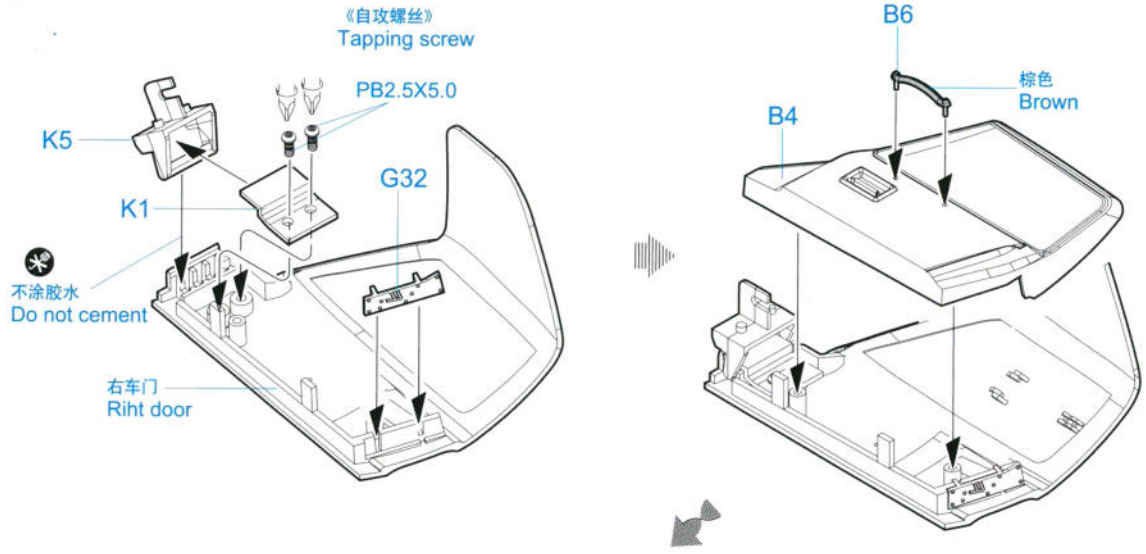


21

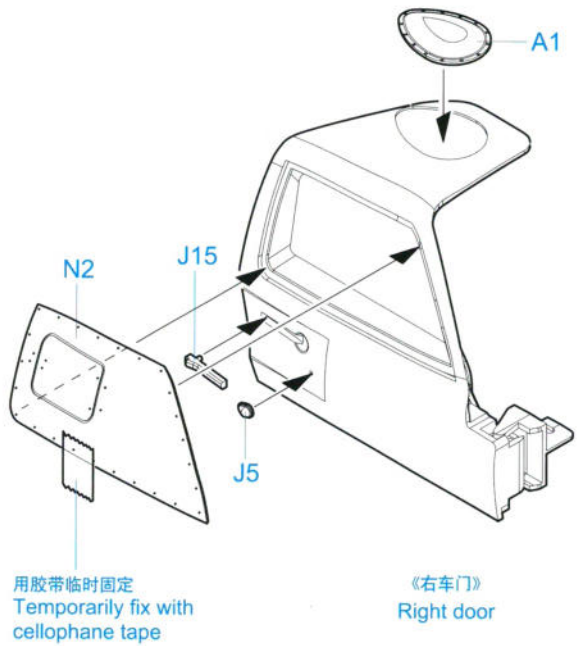
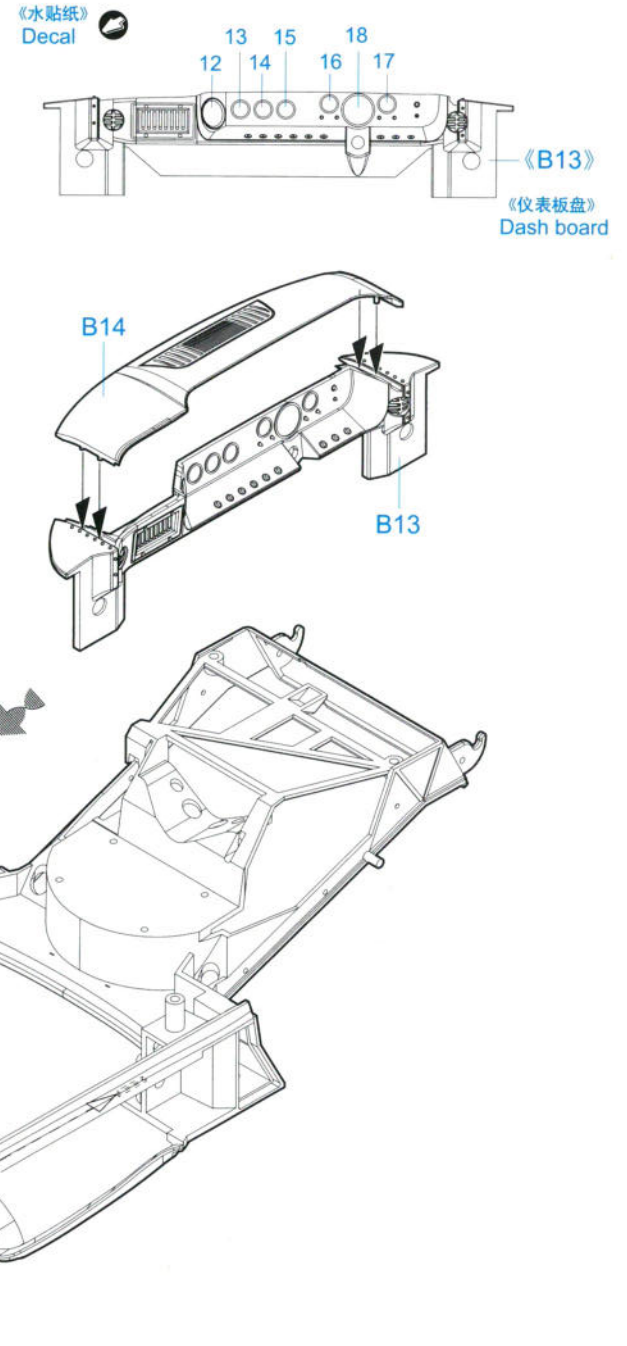




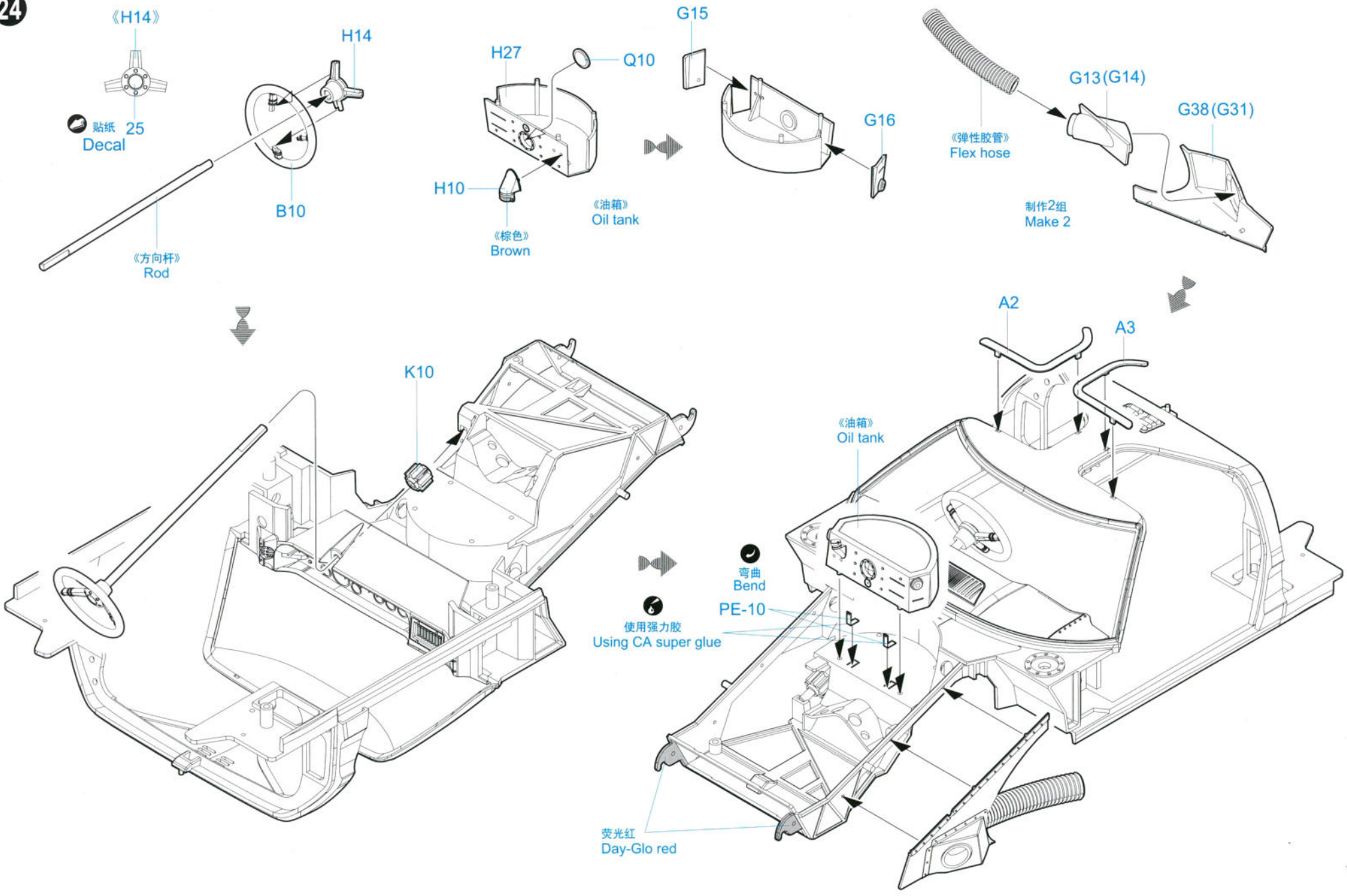
22

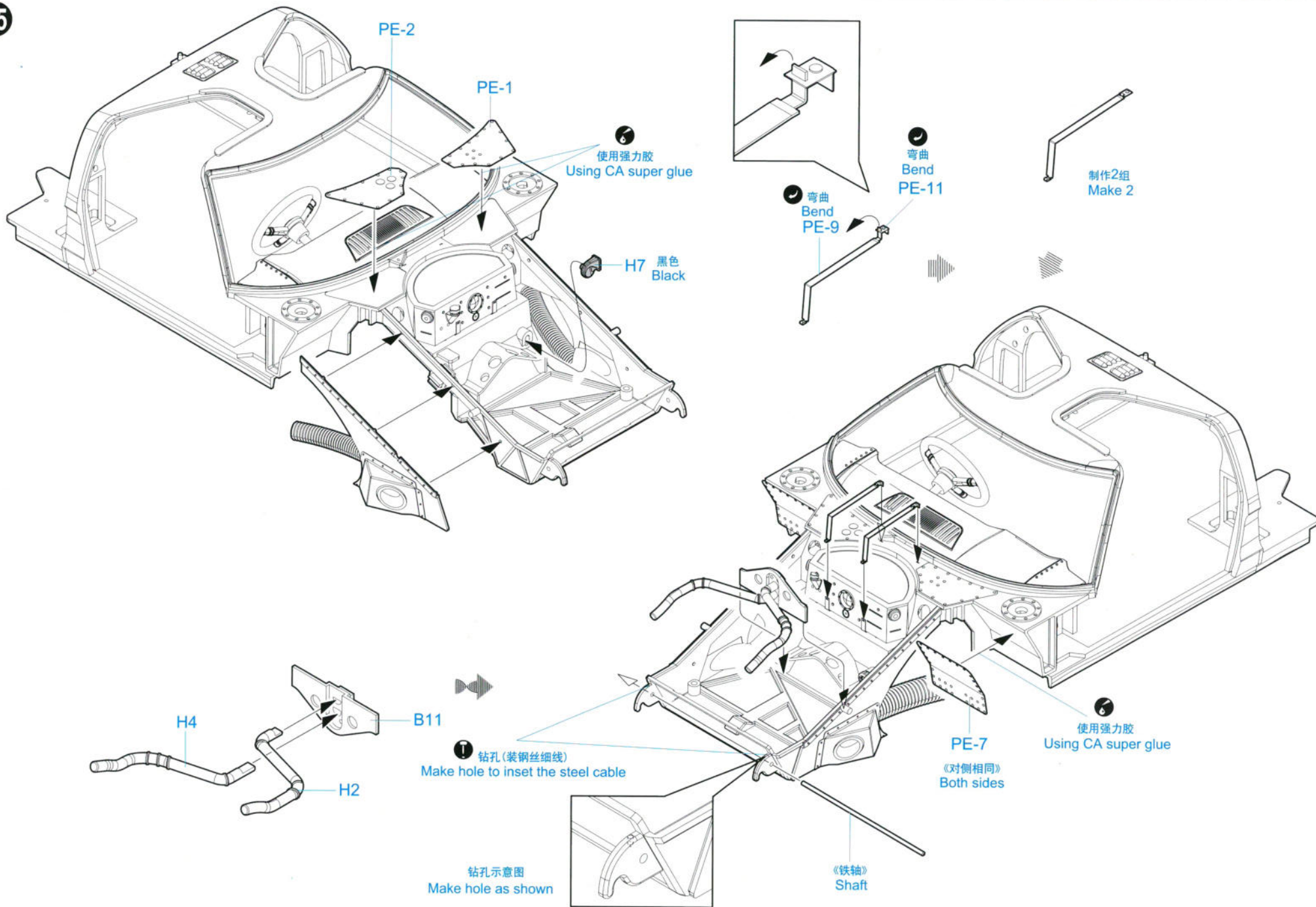


23



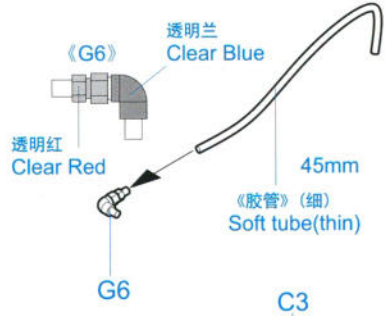
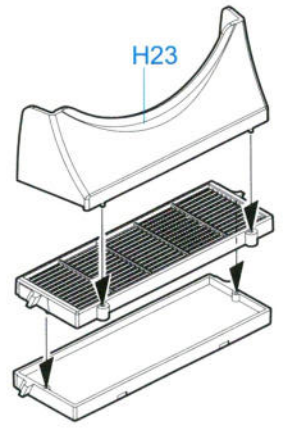
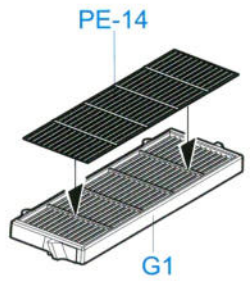
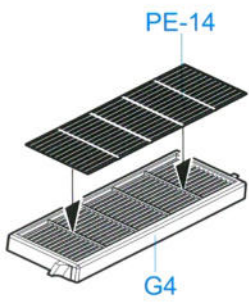
24





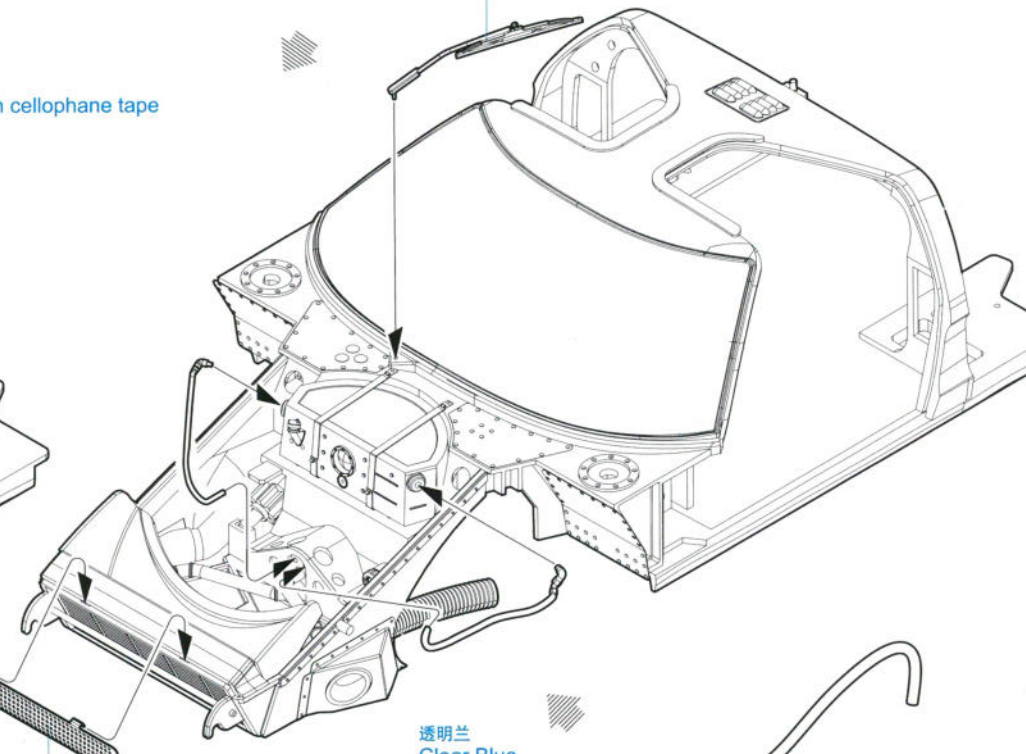
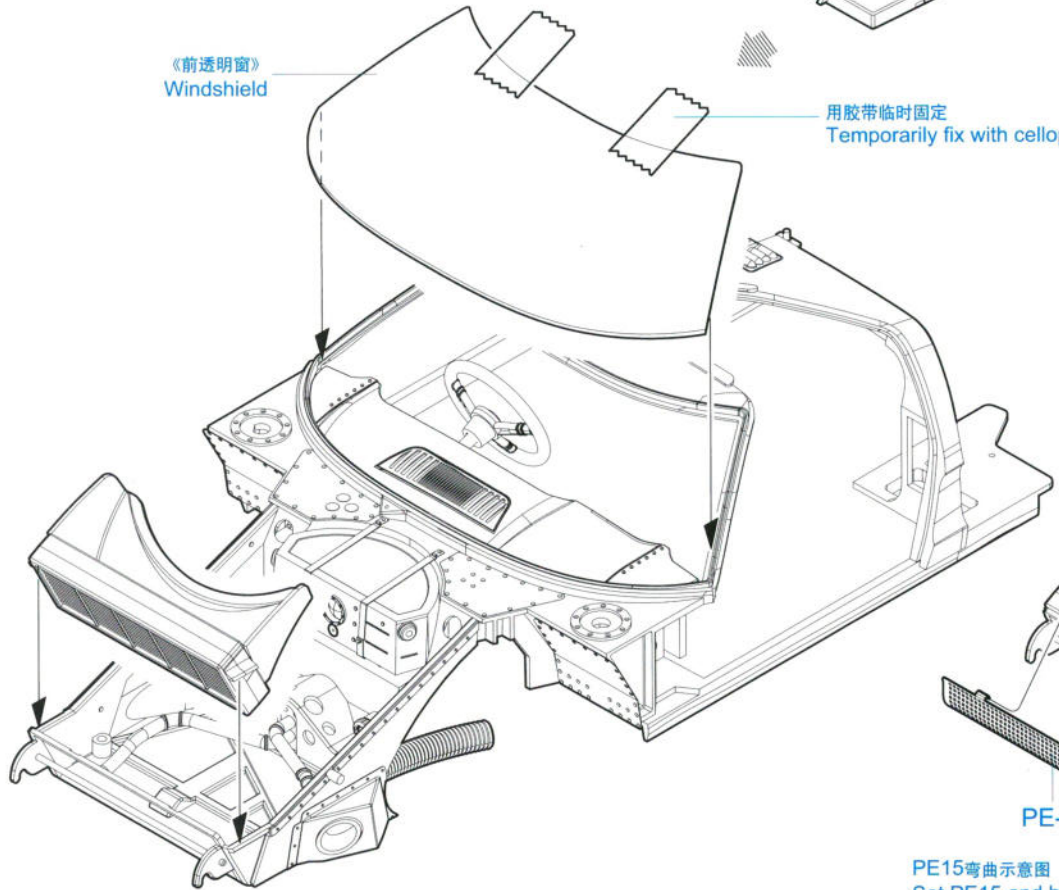


依照上面标尺切取合适长度  
Cut to same length as upper measure



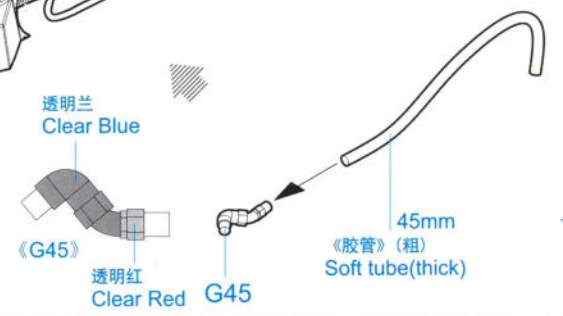
《前透明窗》  
Windshield

用胶带临时固定  
Temporarily fix with cellophane tape



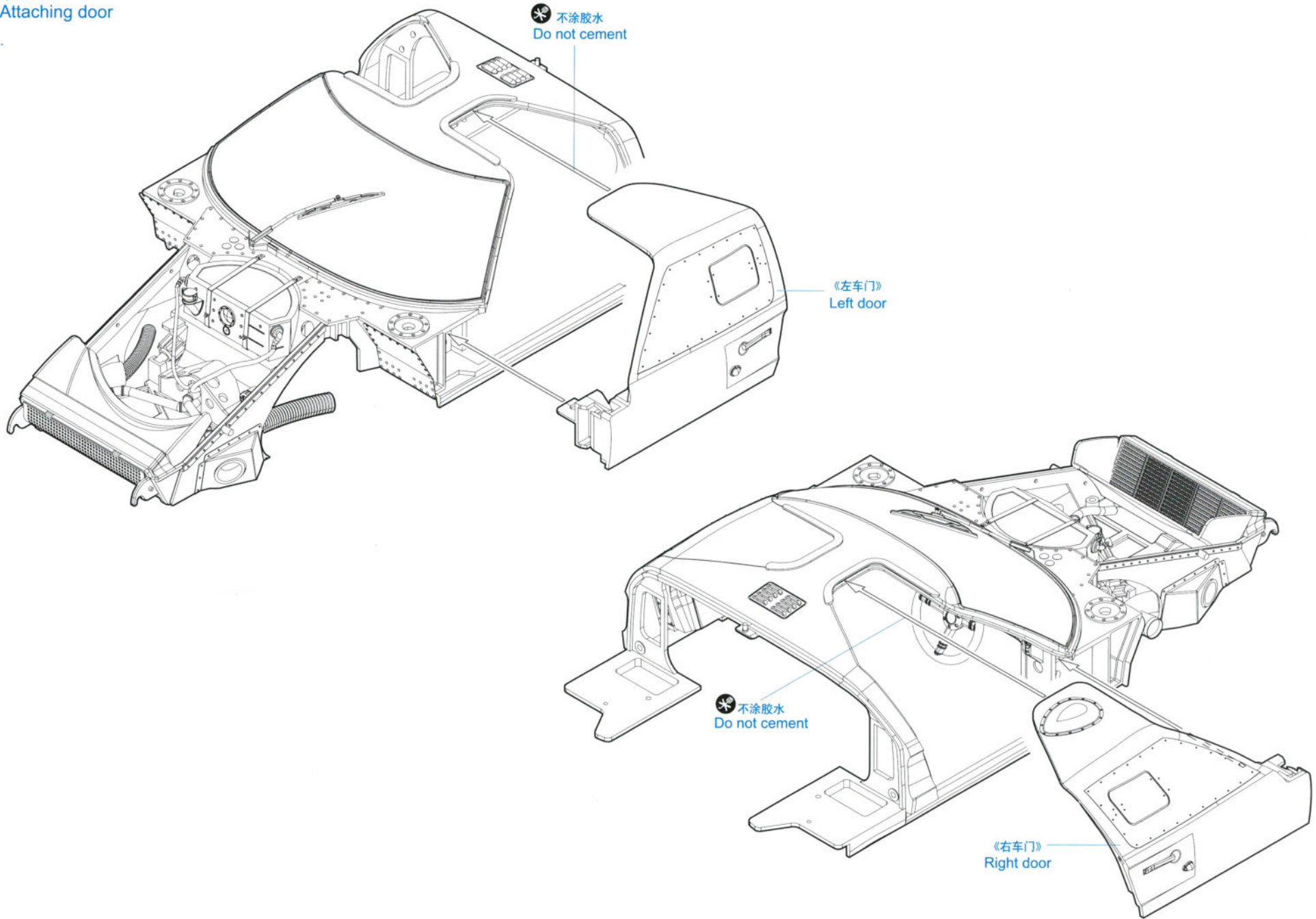
PE-15

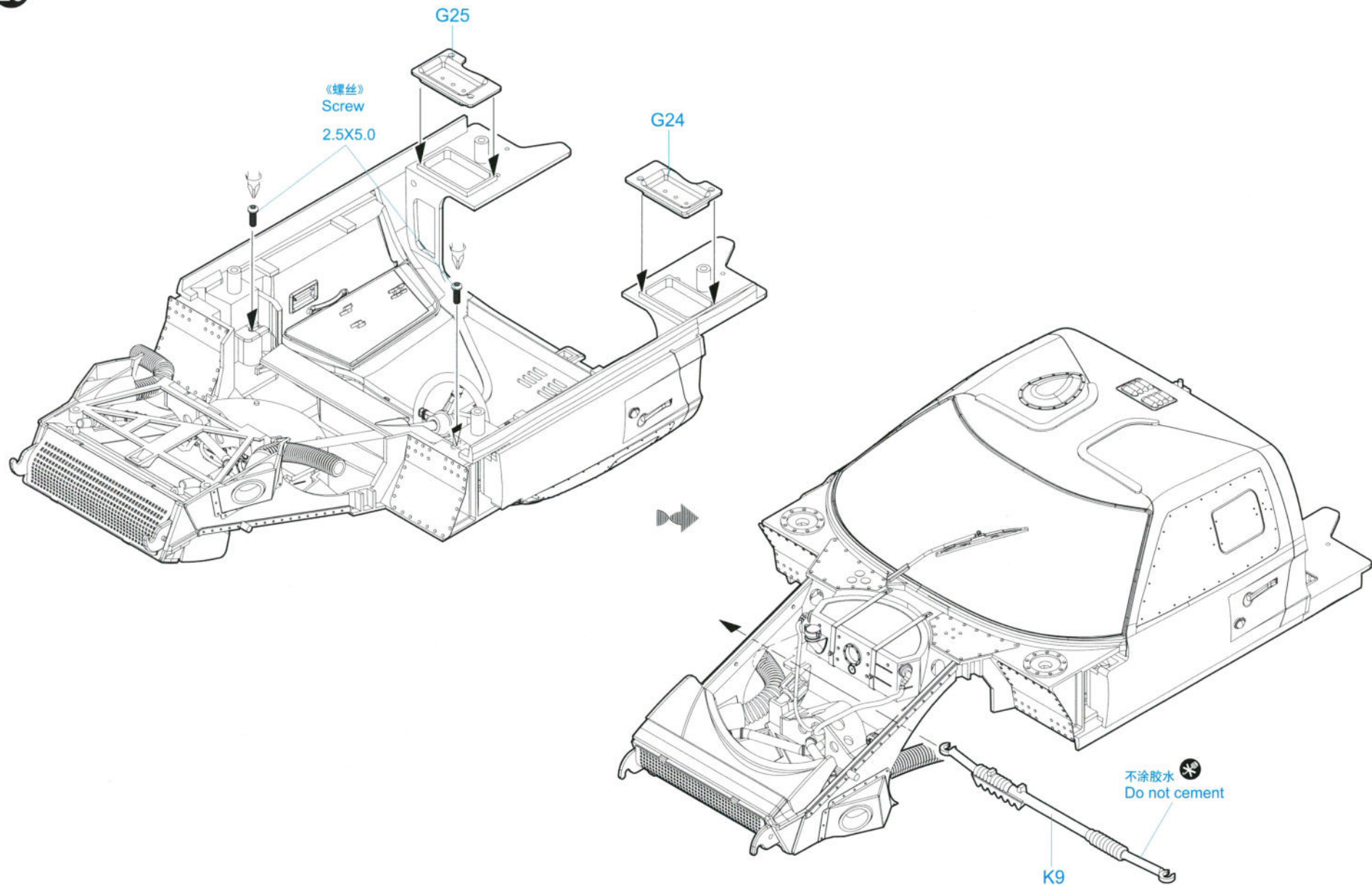
PE15弯曲示意图  
Set PE15 and bend as shown



27

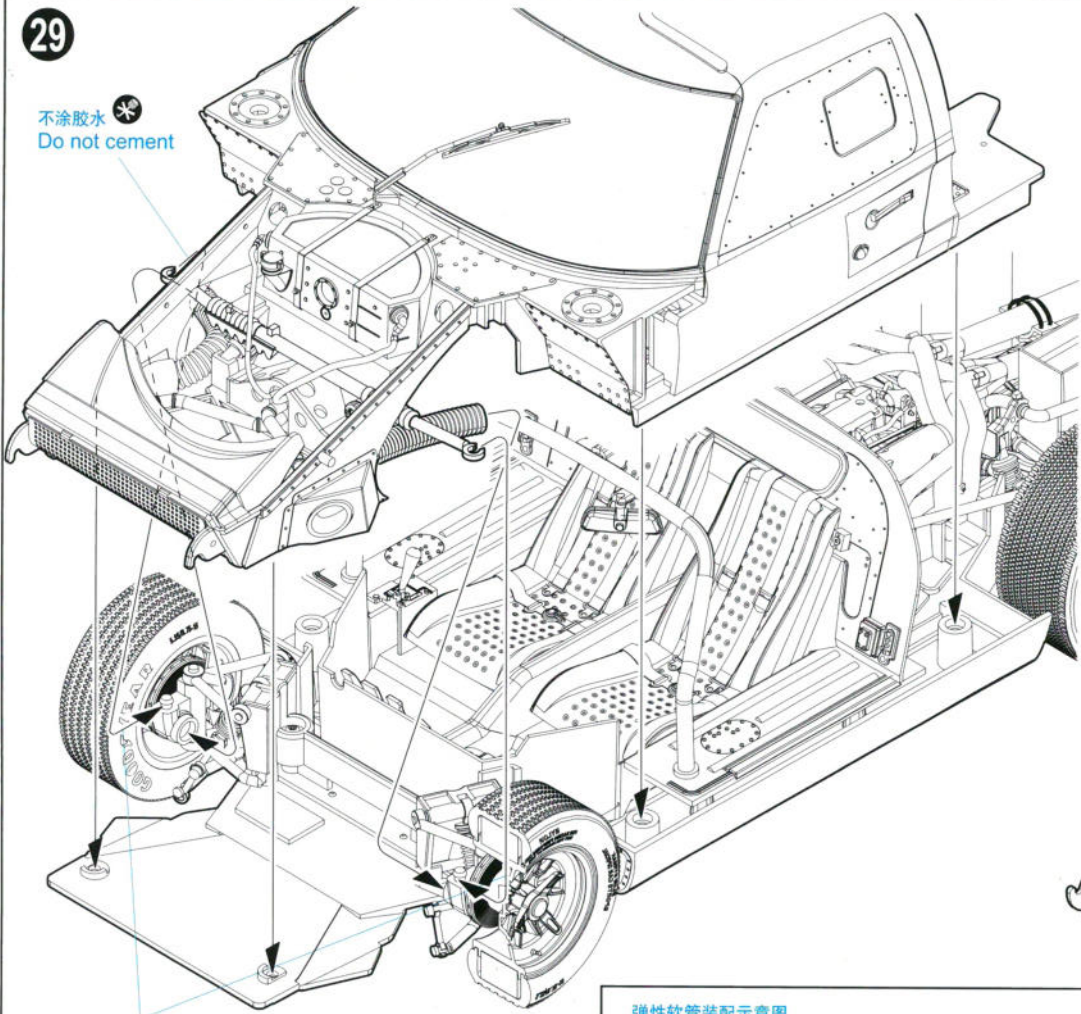
车门安装  
Attaching door





29

不涂胶水  
Do not cement

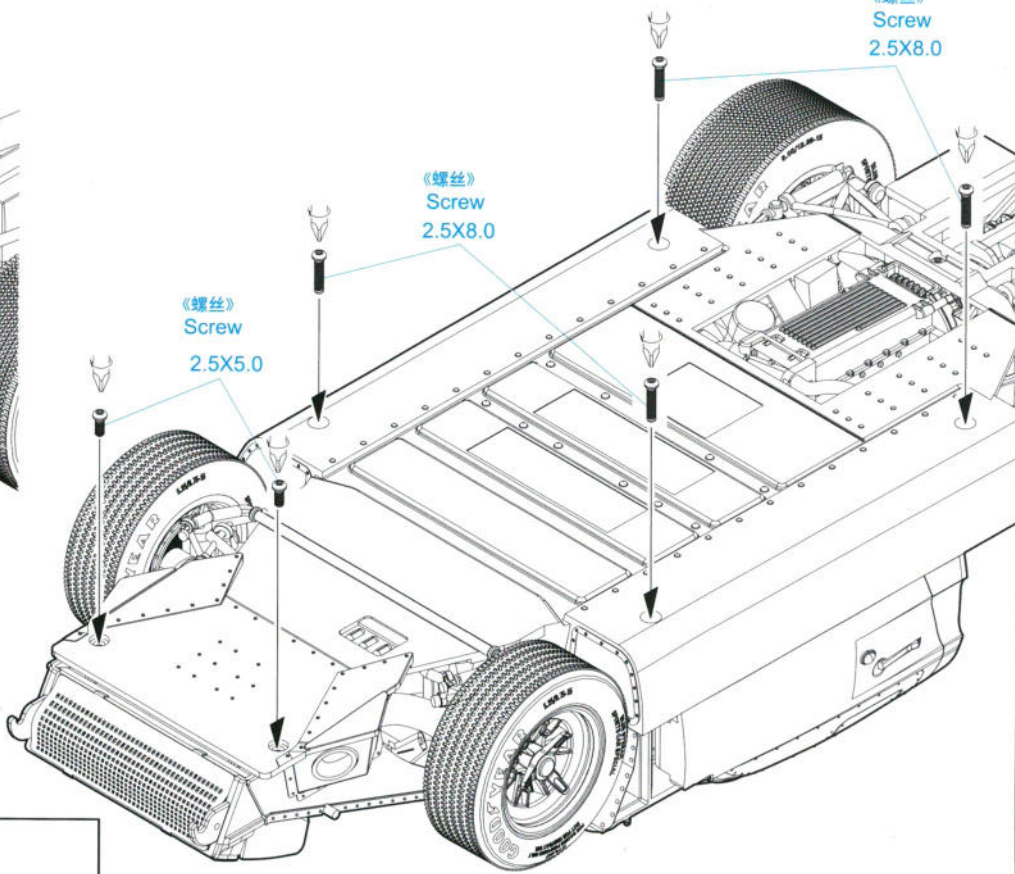


\* 不涂胶水  
Do not cement

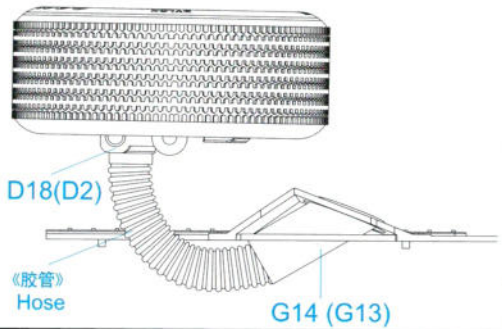
《螺丝》  
Screw  
2.5X8.0

《螺丝》  
Screw  
2.5X8.0

《螺丝》  
Screw  
2.5X5.0



弹性软管装配示意图  
Attach the flex hose as shown



D18(D2)

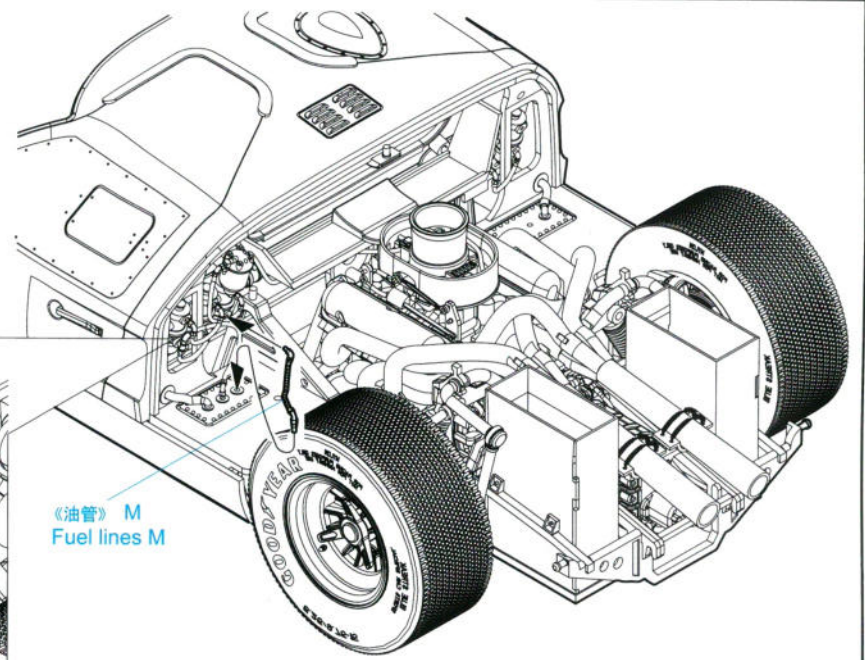
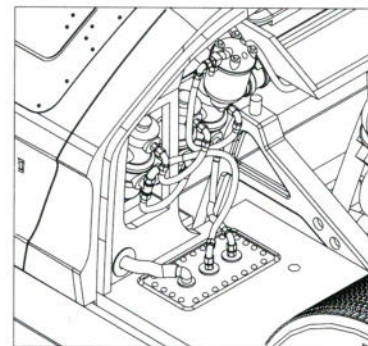
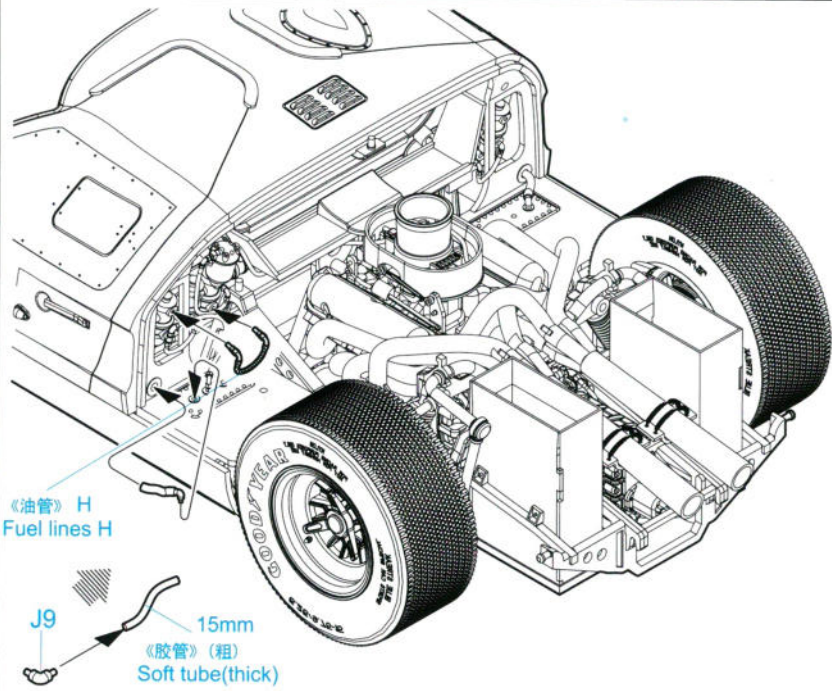
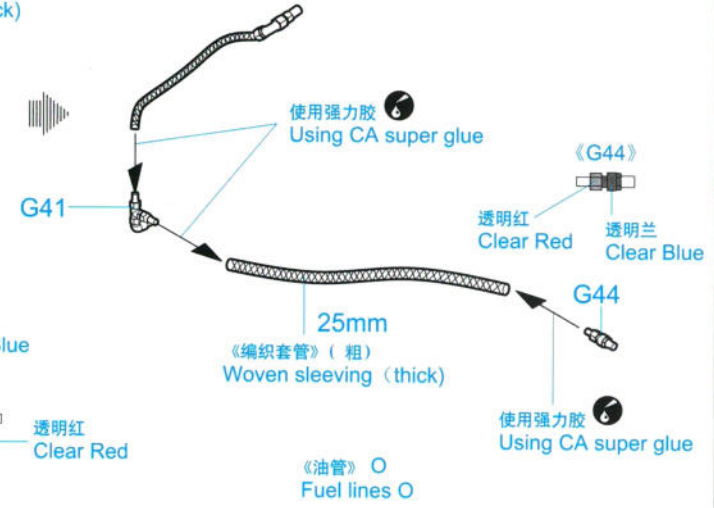
《胶管》  
Hose

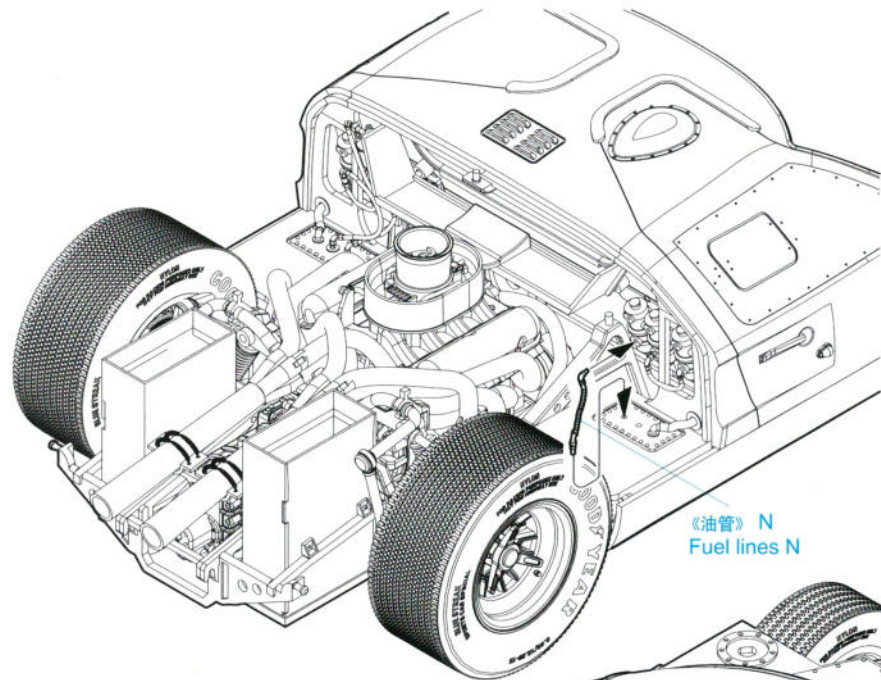
G14 (G13)



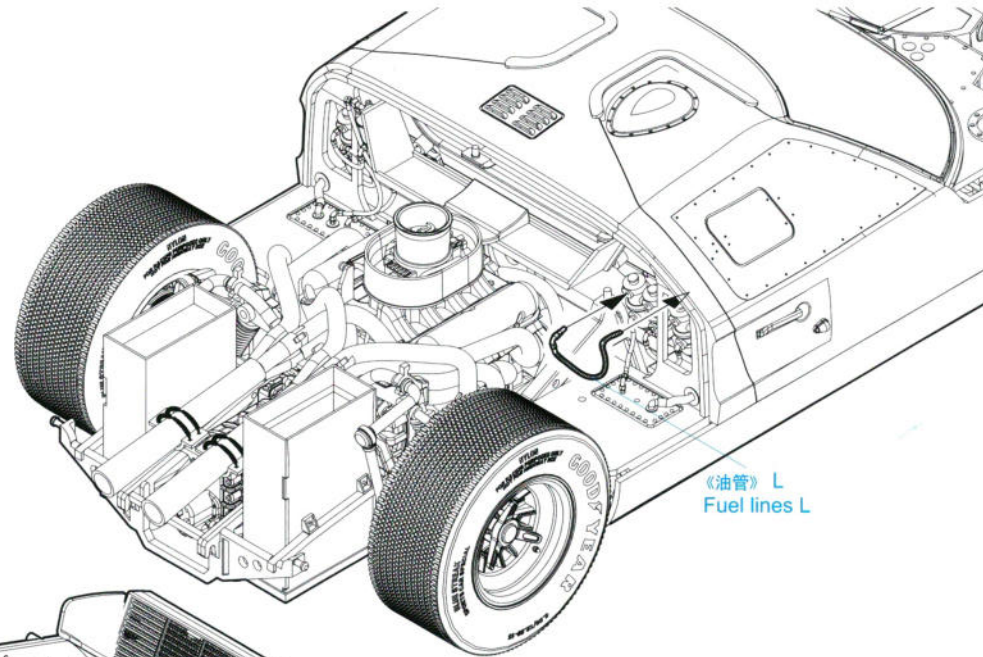


31

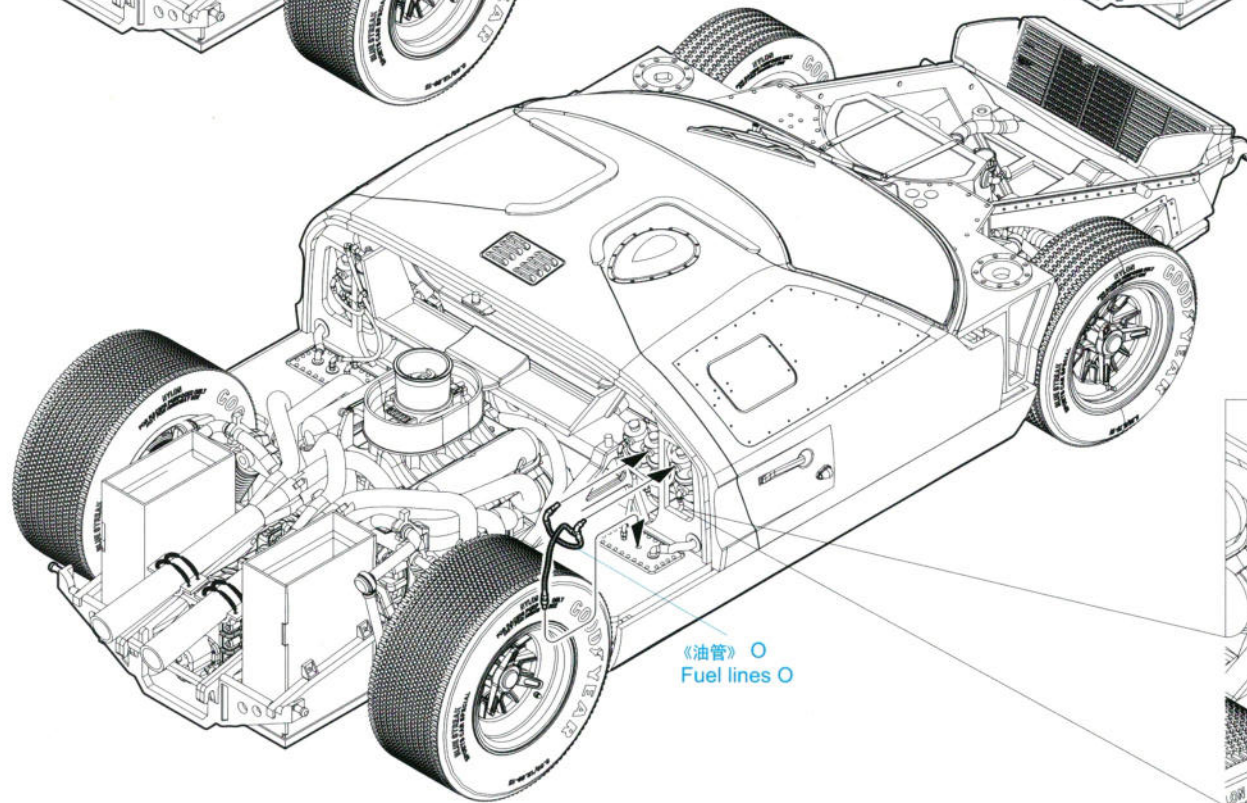




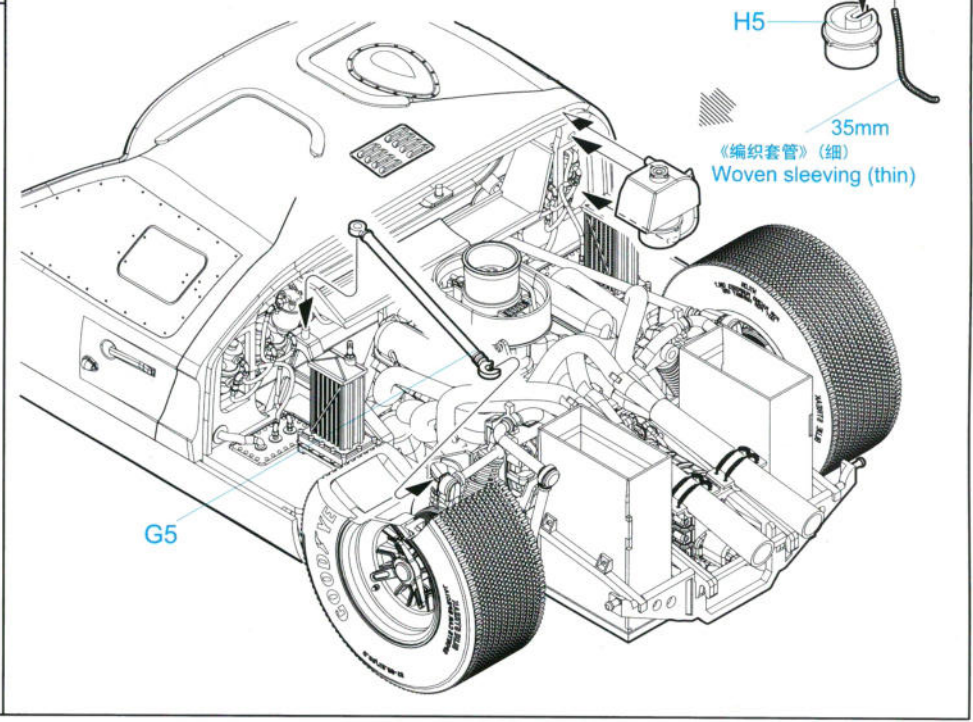
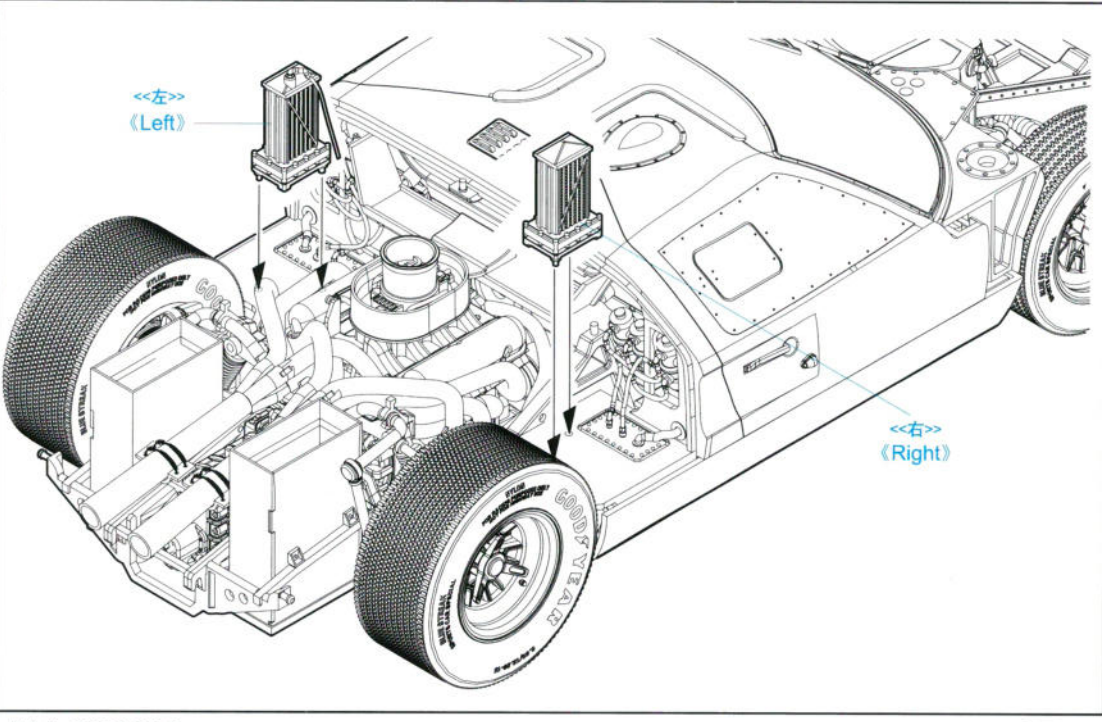
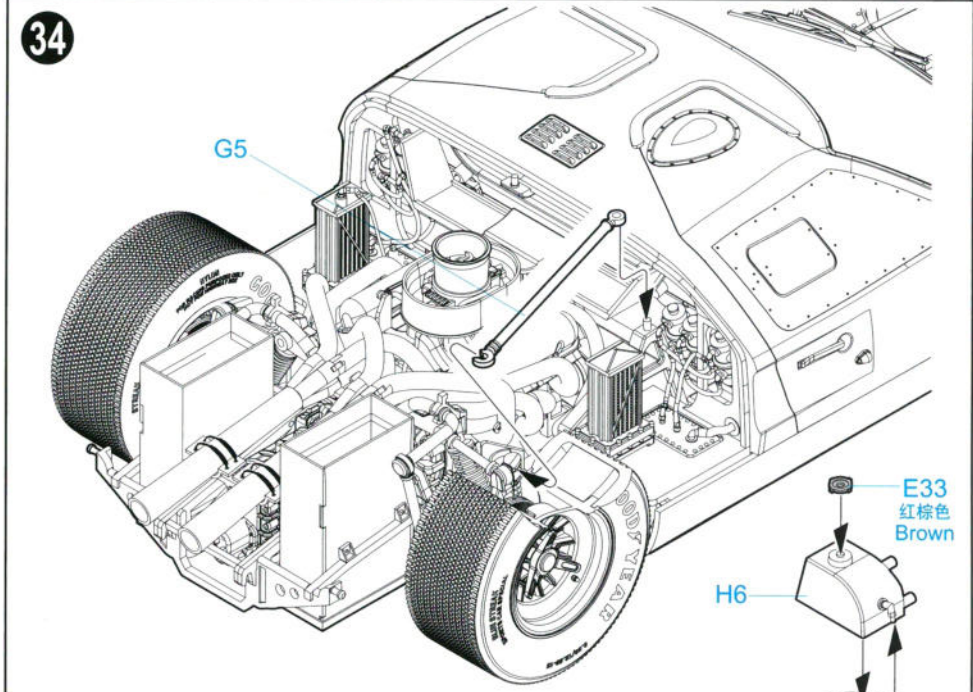
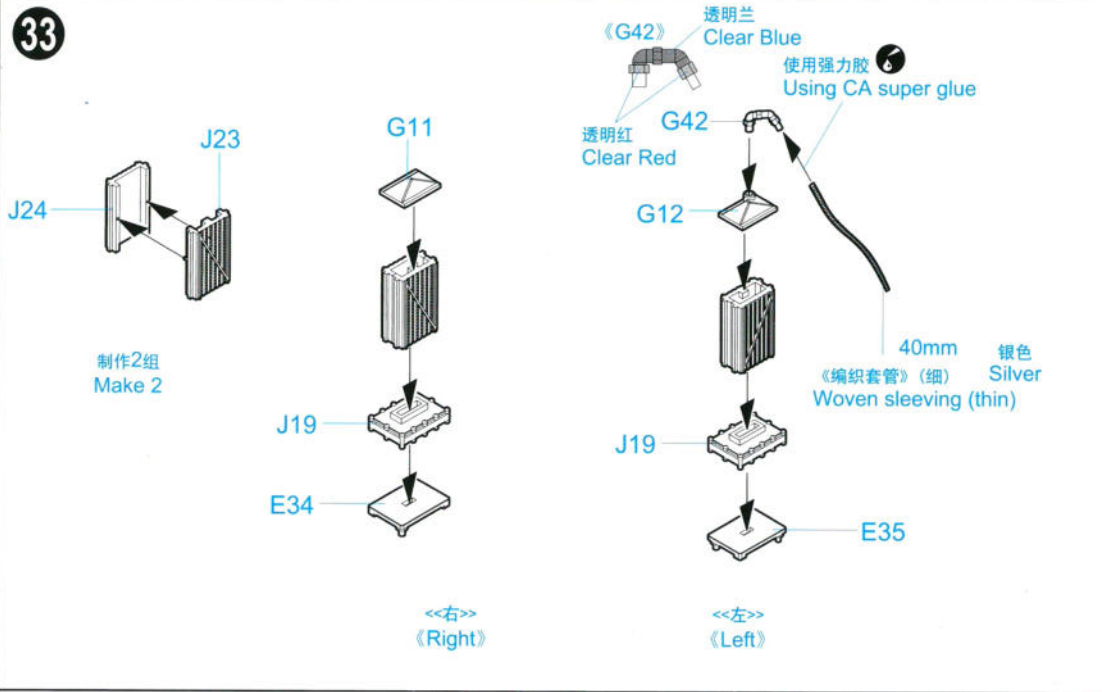
《油管》 N  
Fuel lines N



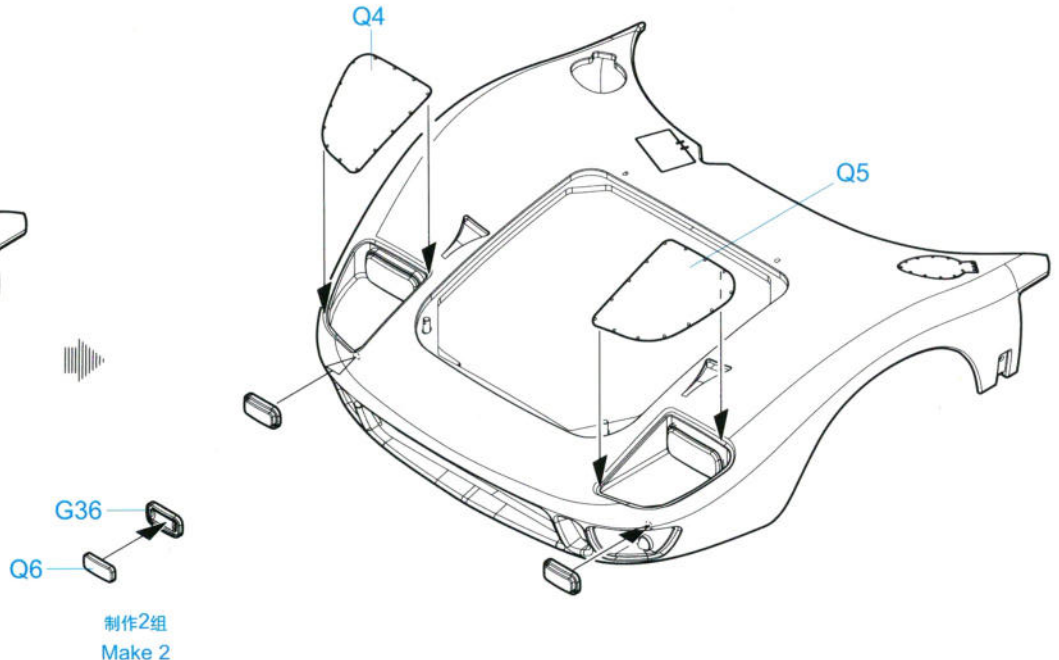
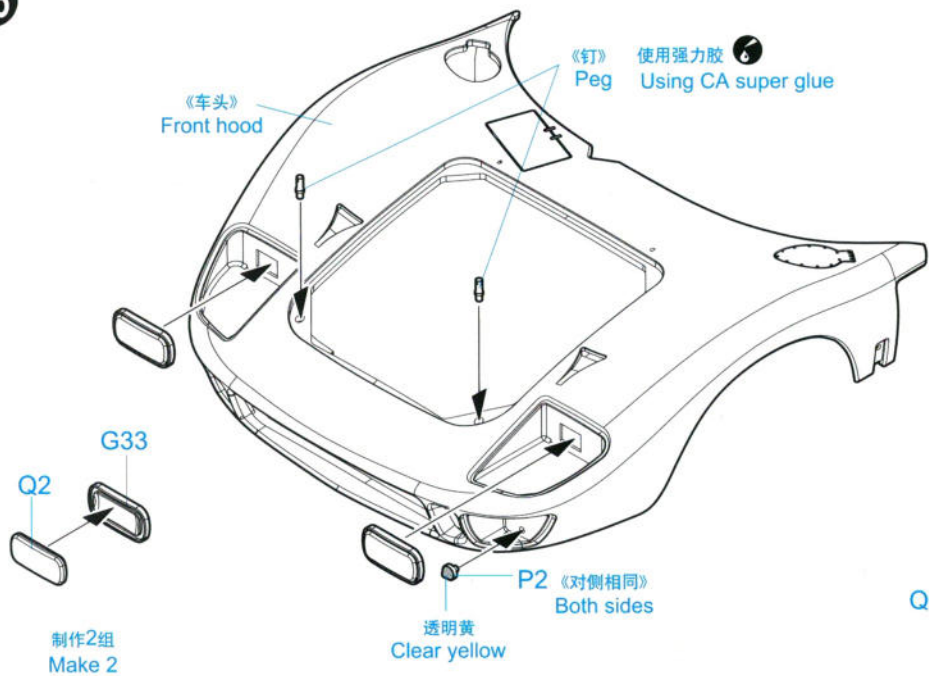
《油管》 L  
Fuel lines L



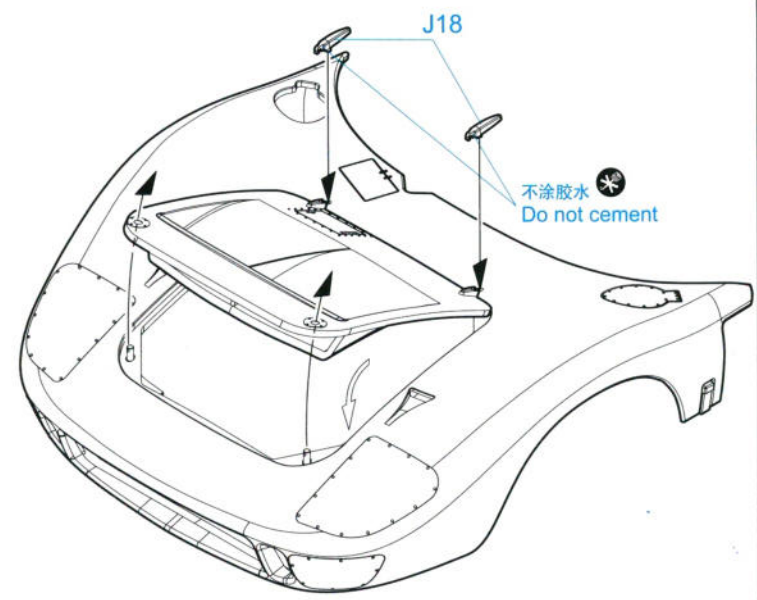
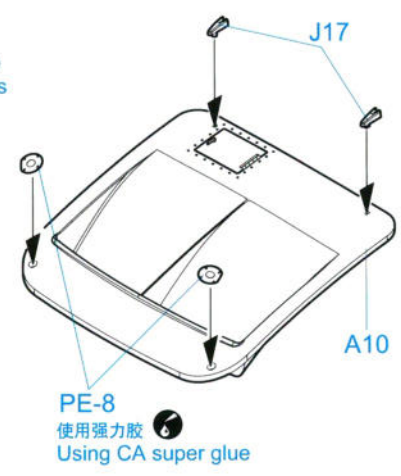
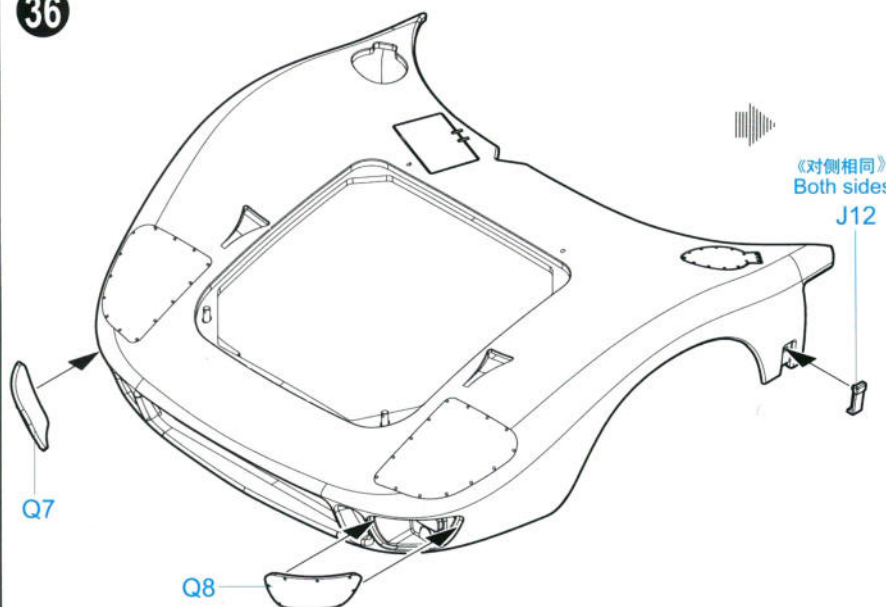
《油管》 O  
Fuel lines O



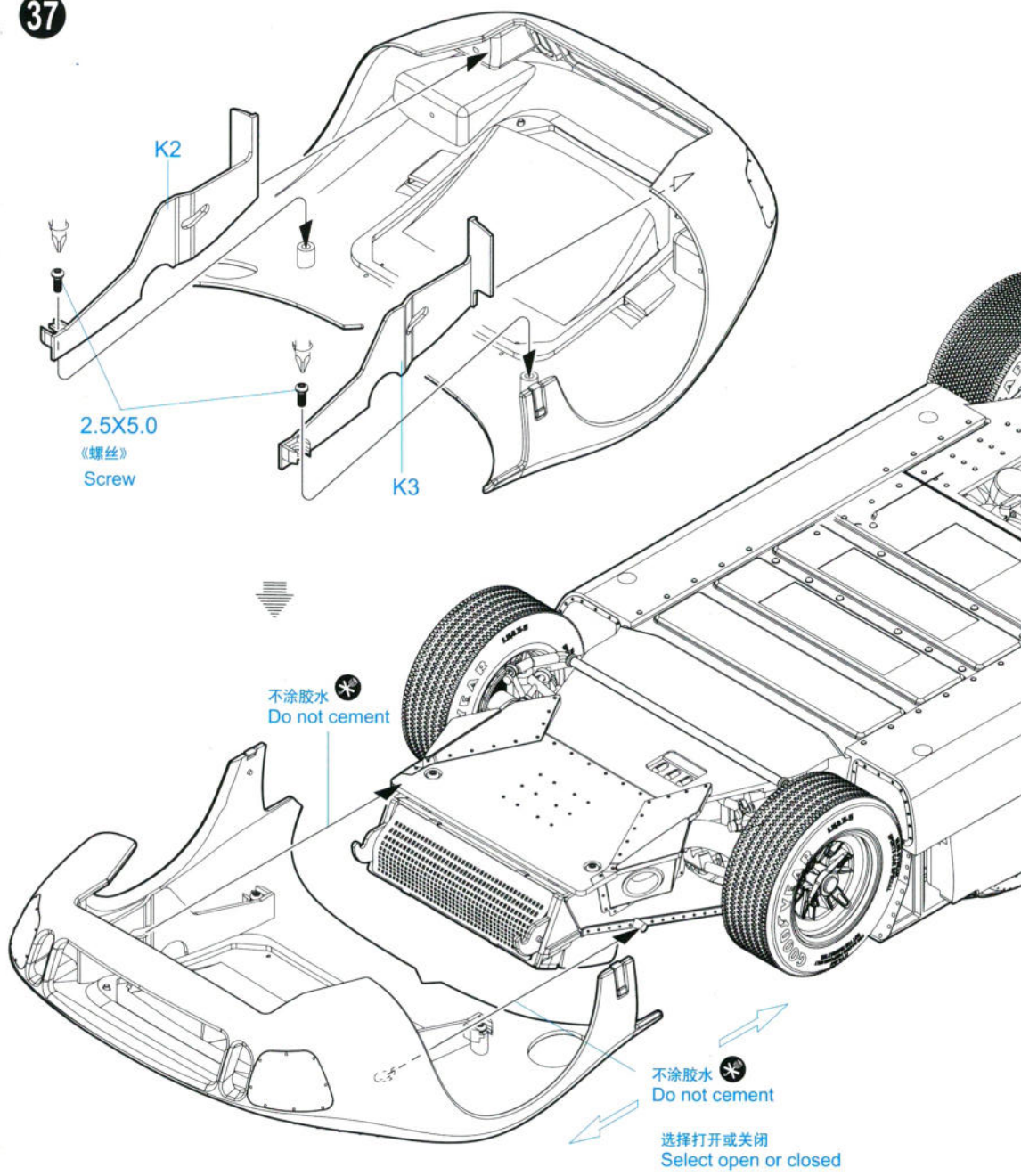
35



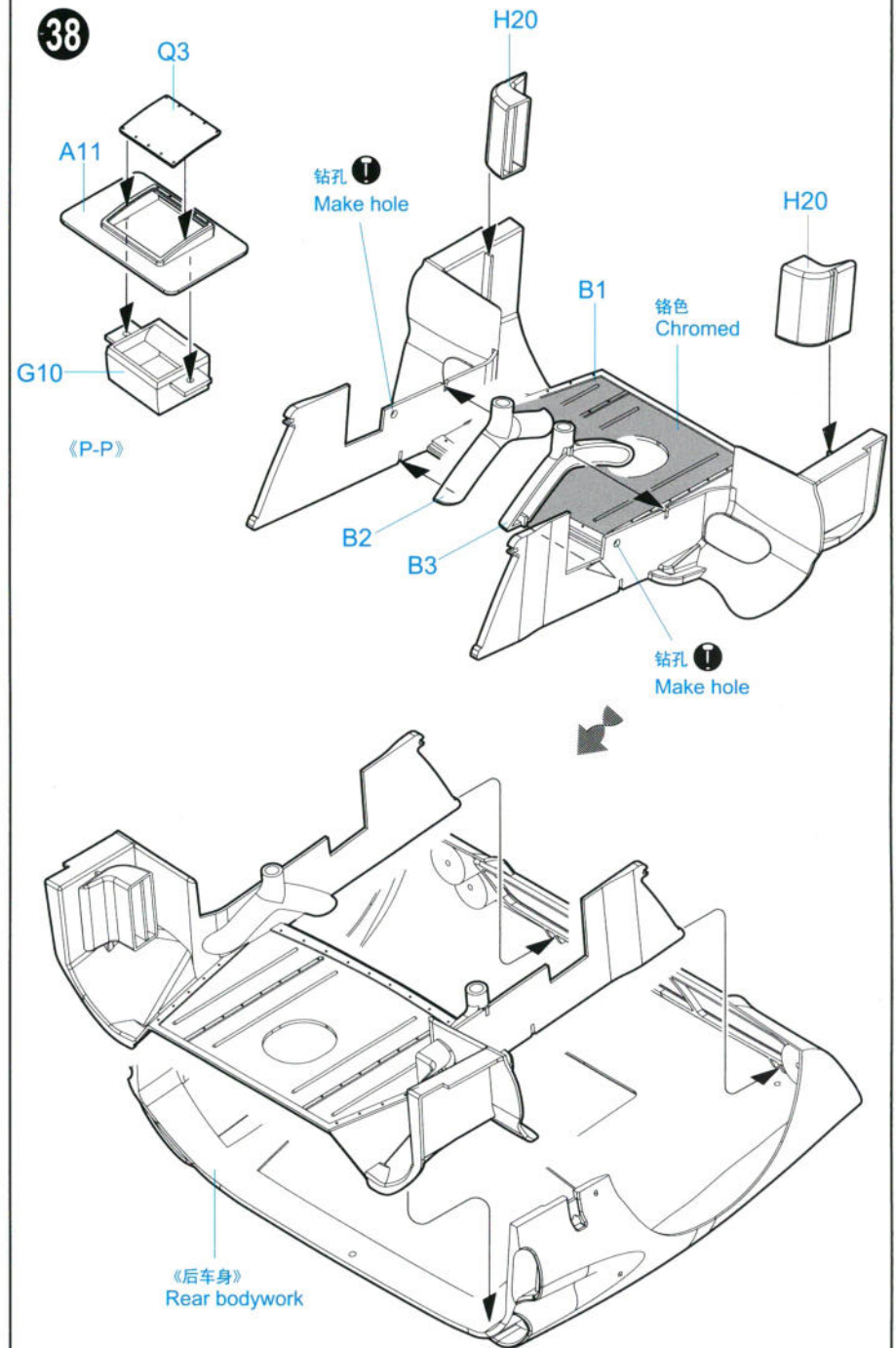
36



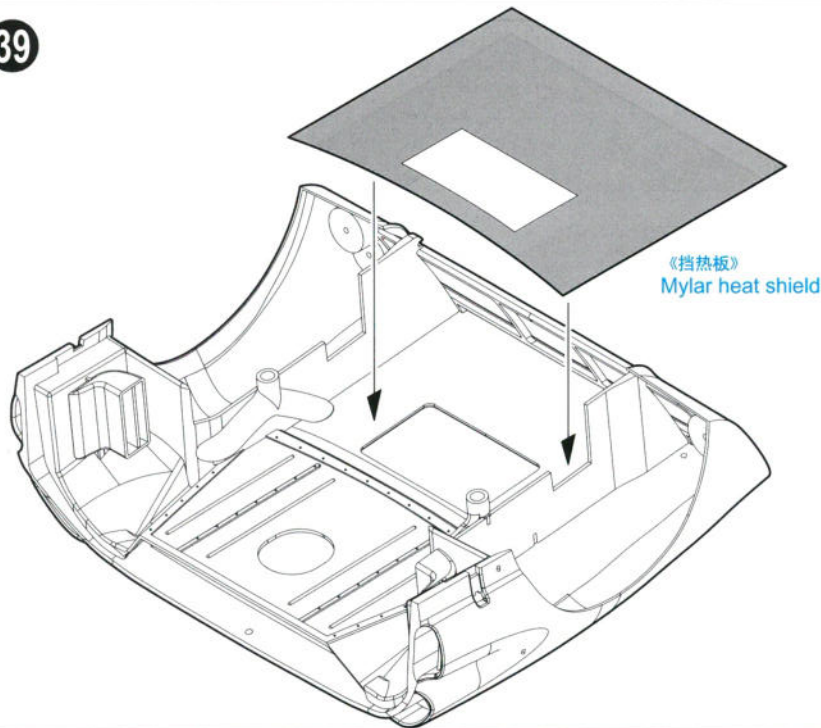
37



38



39



Reflect mylar sheet <<反光贴纸>>

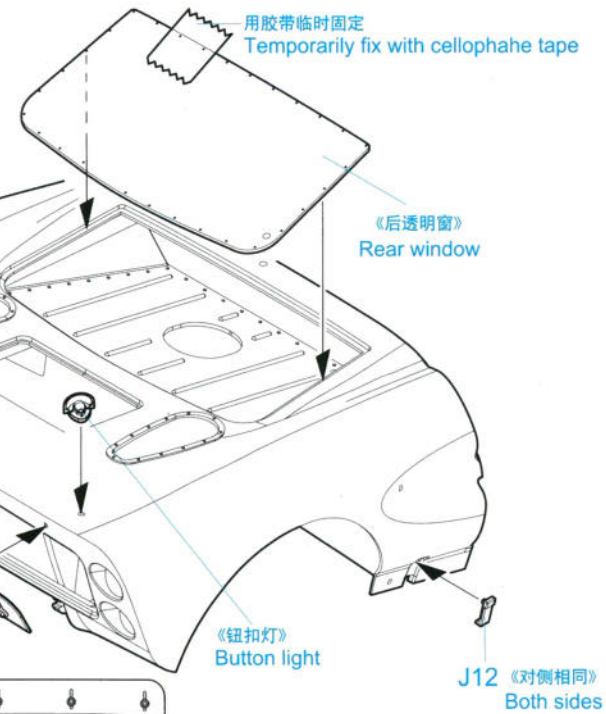


- J5
- A4 《纽扣灯》 Button light

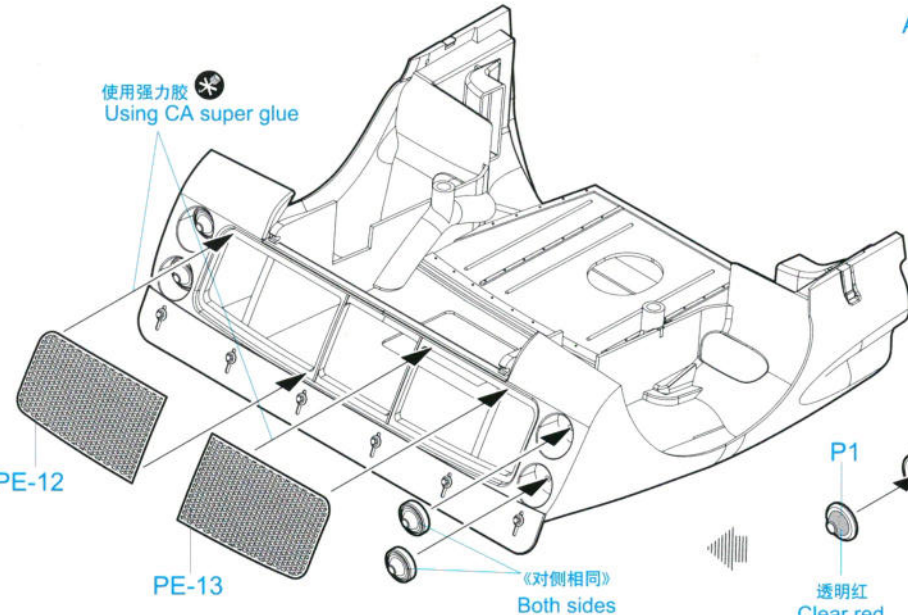


镀铬色 Chromed

<<A9>>



40

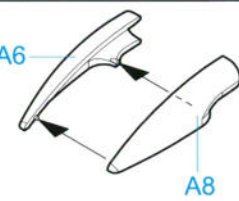


使用强力胶 Using CA super glue

PE-12

PE-13

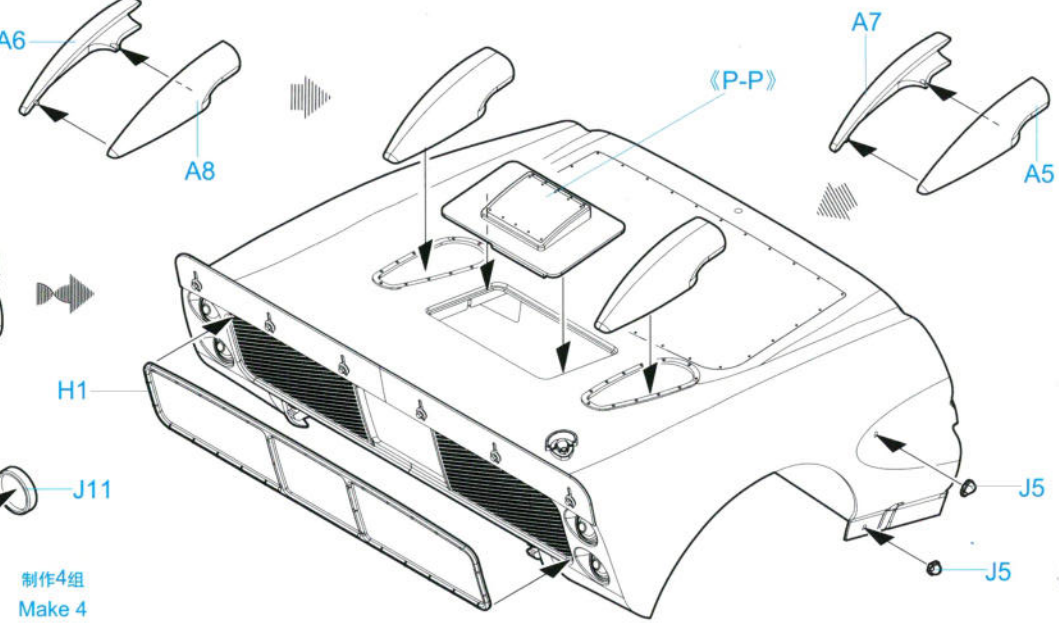
《对侧相同》 Both sides



A8

H1

- P1
- J11
- 透明红 Clear red
- 制作4组 Make 4



《P-P》

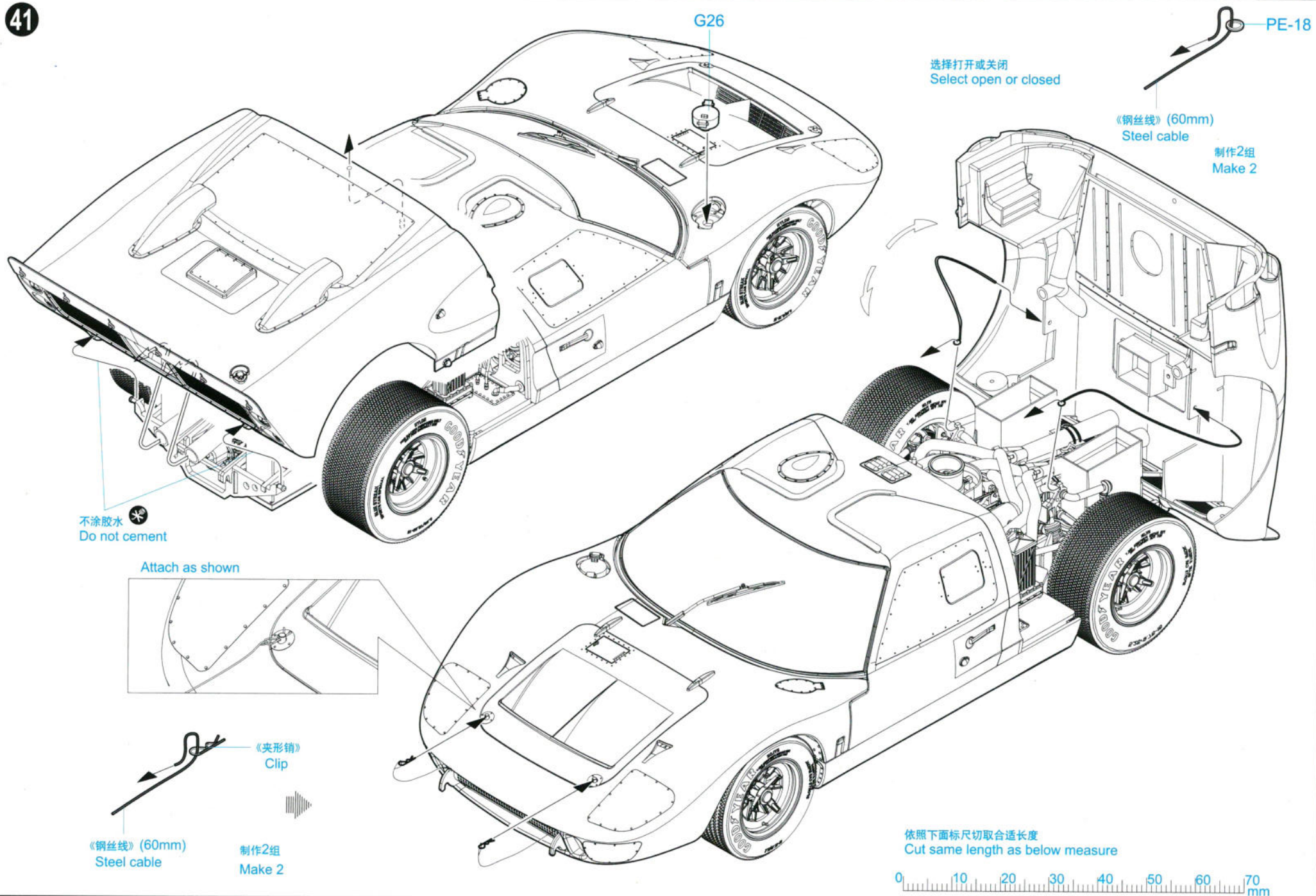
A7

A5

J5

J5

41



G26

PE-18

选择打开或关闭  
Select open or closed

《钢丝线》(60mm)  
Steel cable

制作2组  
Make 2

不涂胶水 \*  
Do not cement

Attach as shown

《夹形销》  
Clip

《钢丝线》(60mm)  
Steel cable

制作2组  
Make 2

依照下面标尺切取合适长度  
Cut same length as below measure



