



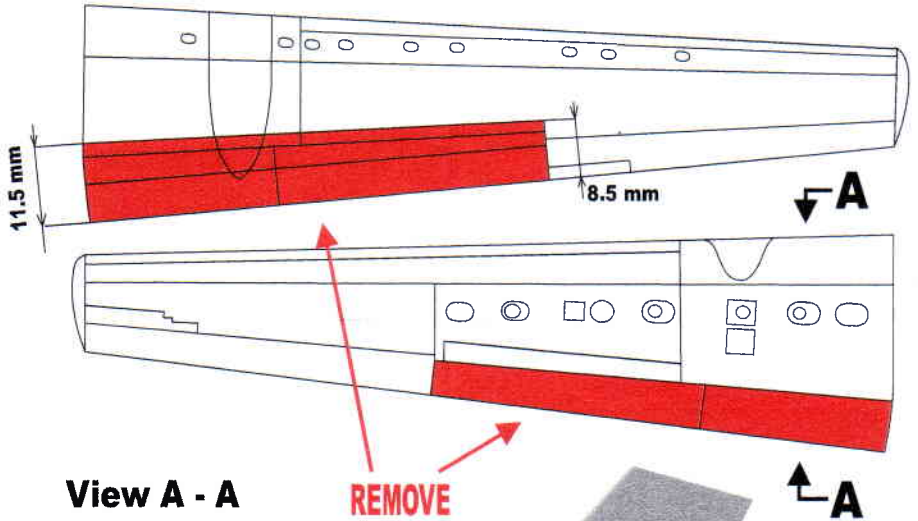
LAC720011

# LET L-410 LANDING FLAPS For KP Kit

RS 1-R

RS 1-L

**REMOVE ALL SUPPORTS**  
Be careful, this resin is hard and brittle



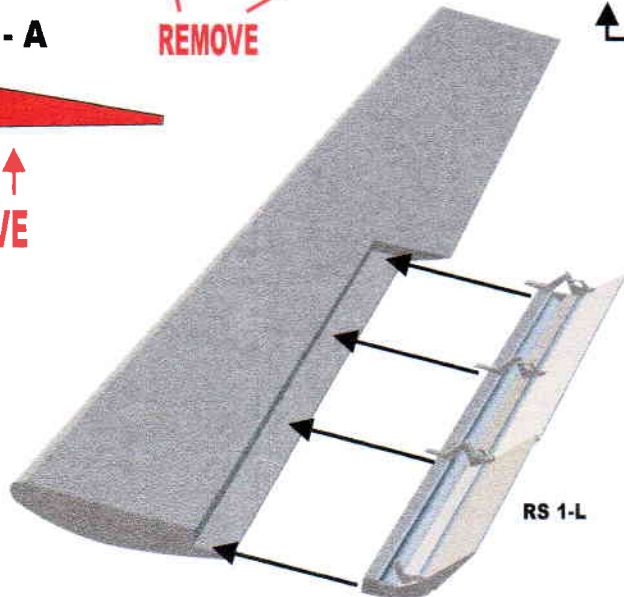
**View A - A**

**REMOVE**

**A**



**REMOVE**



RS 1-L