



Russian T-80UM-1 MBT

俄罗斯T-80UM-1主战坦克

READ BEFORE ASSEMBLY:

- Study and understand these instructions thoroughly before beginning assembly
- When needed, remove photo-etch parts carefully using a modeling knife or photo etch sprue cutter, being careful not to damage or lose small parts.
- Take extra care in handling photo etch parts in order to avoid injury
- Apply instant cement sparingly to photo etch parts where instructed
- Tools recommended(not included in kit):Plastic and instant cements, sprue cutters,long nose pliers,modeling knife, small files, tweezers, pin vise & scissors. Soft cloth and sandpaper will also assist in construction
- Glue and paint are not included in the kit. Use plastic cement and hobby paints only. Color guide for purchasing paint is included in the kit.

装配之前仔细阅读

- 小心用模型锉刀锉平所有零件表面的注射浇口。
- 小心用刀片切下蚀刻片零件，不要遗失小零件。
- 用强力快干胶水粘合蚀刻片零件和金属轴。过量快干胶水使用可能导致可动零件会粘住，小心涂胶。
- 取蚀刻片时应特别注意安全，防止利边划伤手指。
- 某些零件表面需贴水上贴纸，请选择在装配的同时进行。
- 推荐模型工具(自备)：胶水、水口剪刀、长嘴钳、刀片、锉刀、镊子、钳、钻、剪刀、瞬间快干胶。
- 软布同砂纸同时也应该是必备工具。
- 请使用塑料胶水和油漆，模型内不含。



配置
Weight



使用强力胶
Cyanoacrylate glue



钻孔
Make hole



切除
Cut / Remove



贴纸
Decal



锉平
File / Sand



选择
Option



不涂胶水
No cement



弯曲
Bend



先装
Install it first

水贴纸的使用:

- 1.从水贴纸上剪下印花;
- 2.将印花放入温水中浸10秒,然后放在干净布上。
- 3.拿着印花纸板将印花移到模型上;
- 4.手指蘸水将印花移到适当的位置;
- 5.用软布轻压印花直至水干, 气泡消失

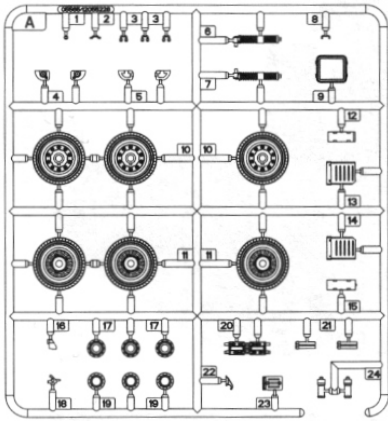
DECAL APPLICATION

- 1.Cut decals from sheet as needed
- 2.Dip the decal in warm water for about 10 seconds and then place on soft clean cloth.
- 3.Hold the decal backing sheet edge and gently slide the decal onto the model in its proper position.

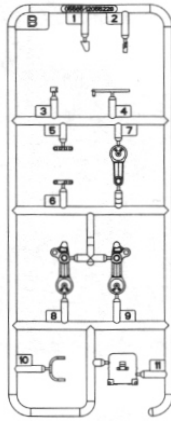
- 4.While still wet,decal can be adjusted for better fit on model by dampening it gently with your finger.
- 5.When placed in the proper position,gently press decal down with a soft cloth until excess water and air bubbles are gone.
- 6.Allow decal to dry completely before handling model

部品图
Parts

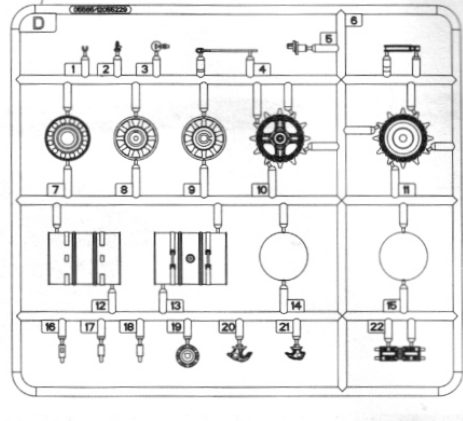
Ax4



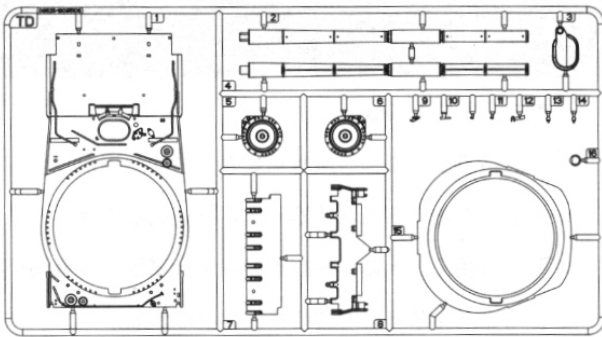
Bx4



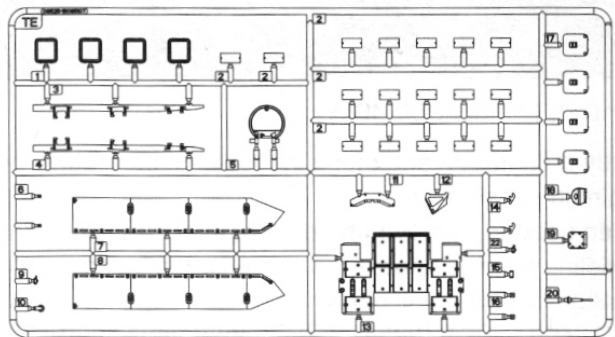
Dx2



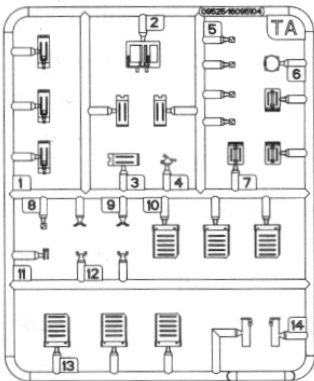
TD



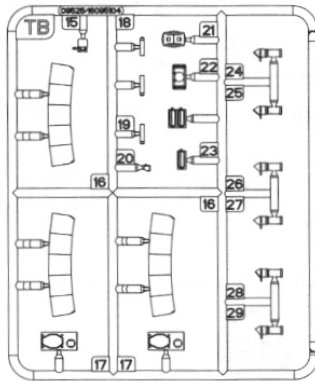
TE



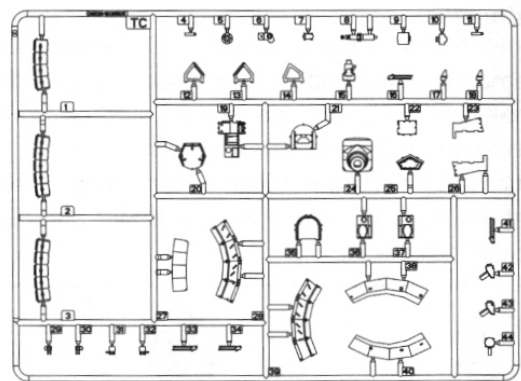
TAx2



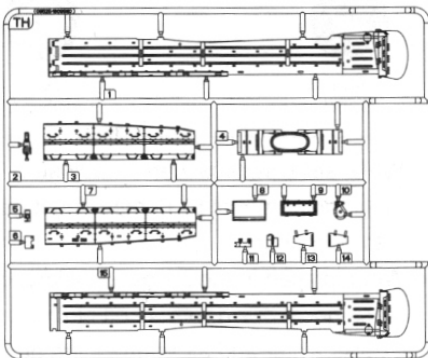
TBx2



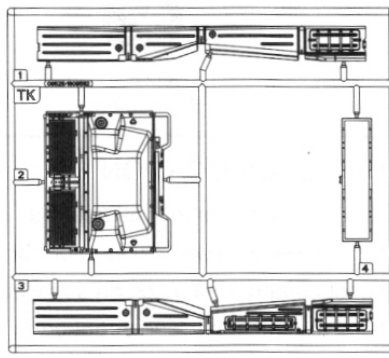
TC



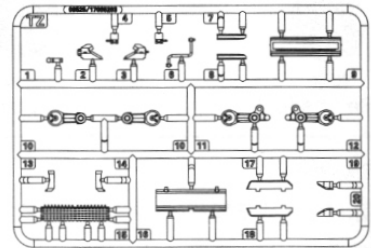
TH



TK



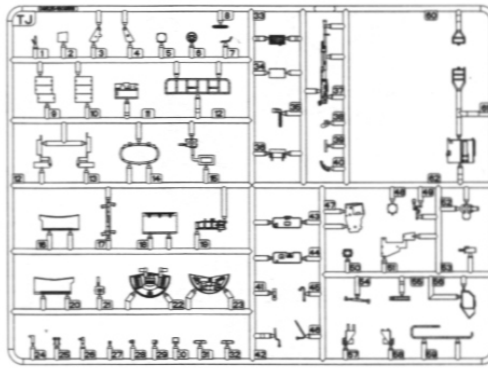
TZ



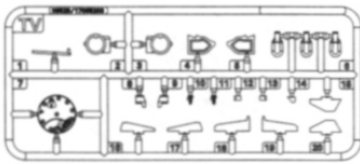
《车底》
Lower hull



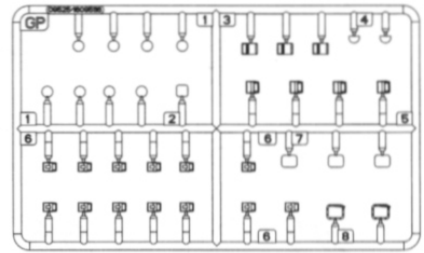
TJ



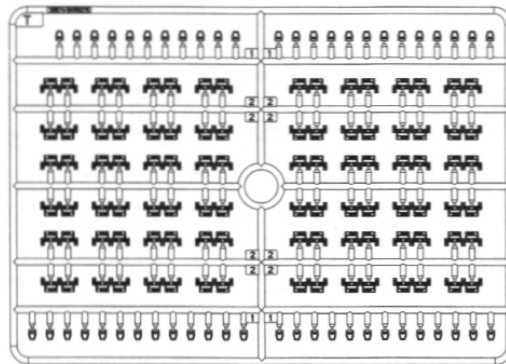
TV



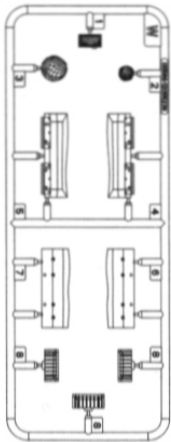
GP



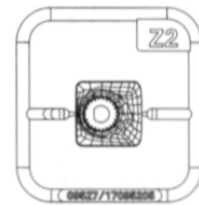
Tx4



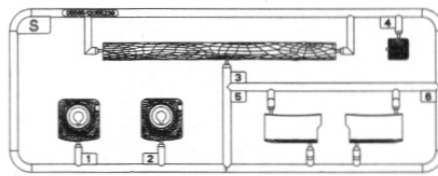
W



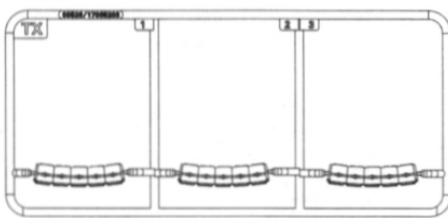
Z



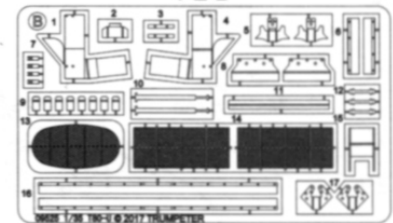
S



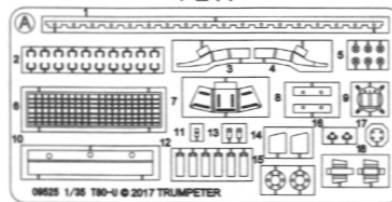
TX



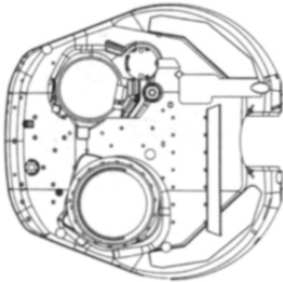
《蚀刻片B》
PE-B



《蚀刻片A》
PE-A



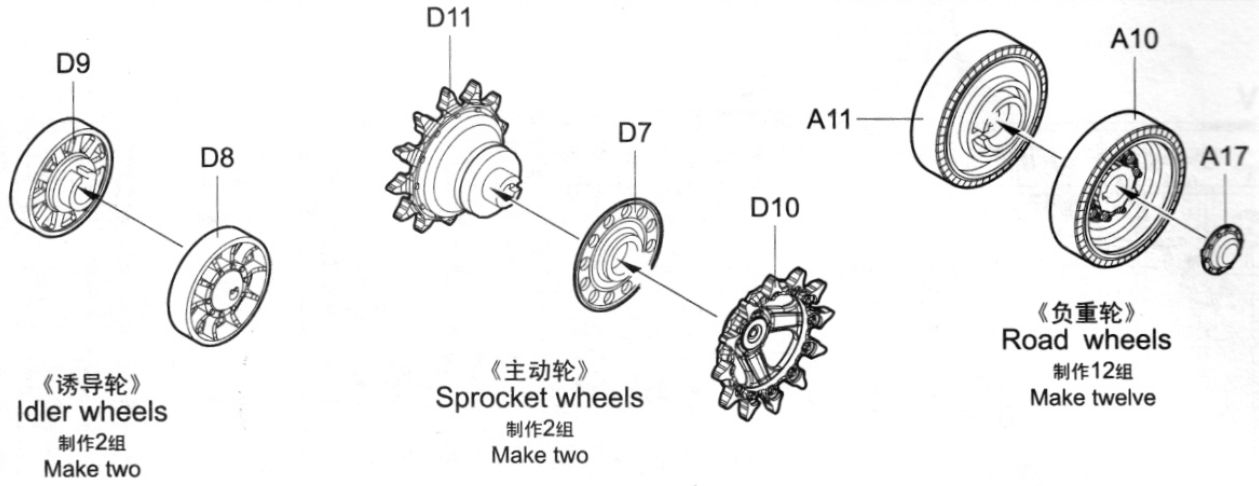
《炮塔》
Turrete



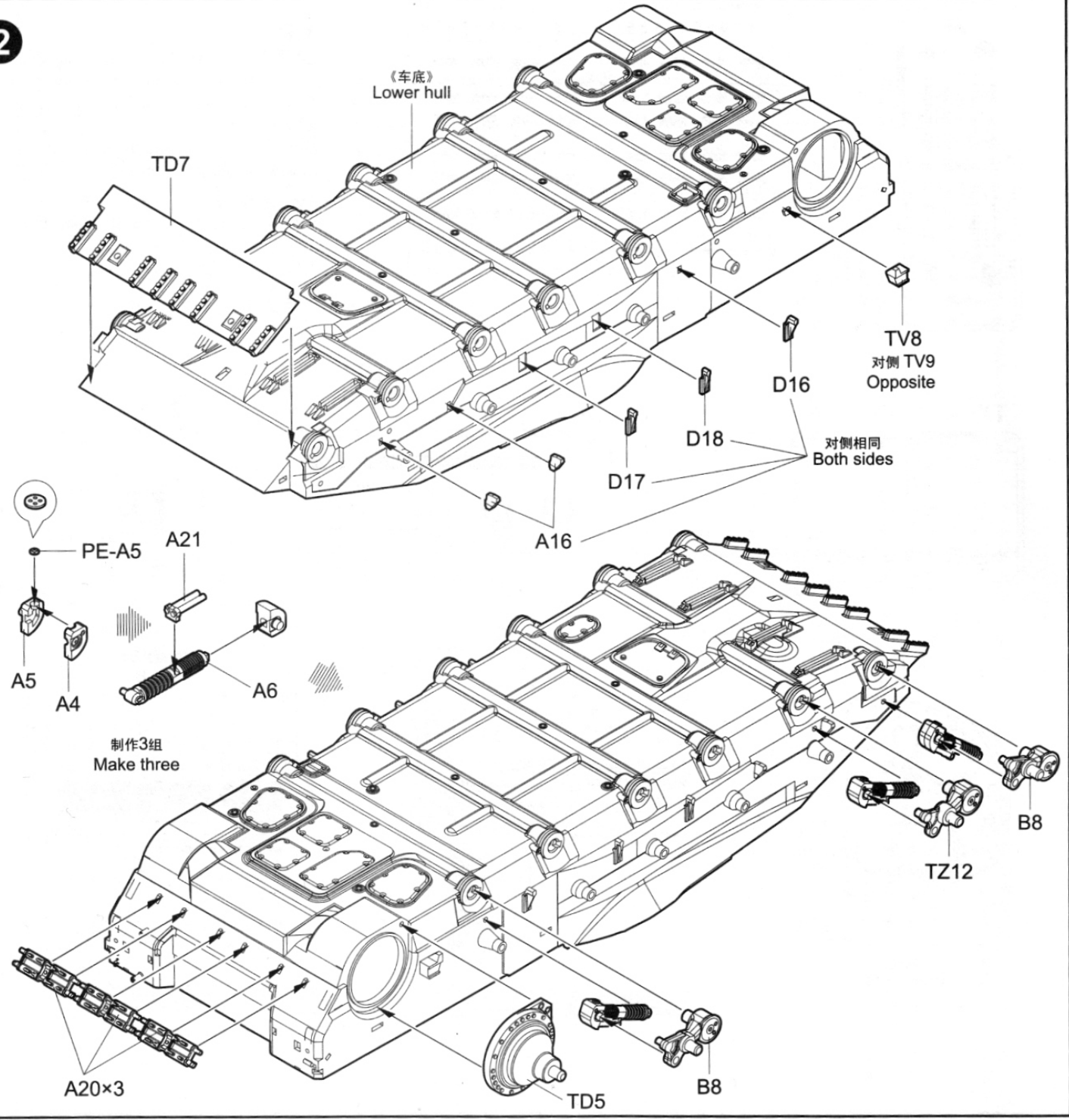
《铜线》
Brass wire



1



2



3

PE-B17
弯曲
Bend

弯曲
Bend
PE-B10

弯曲
Bend
PE-B5

制作2组
Make two

B3

B1

B3

PE-A15

D19

TV2

TV5

TZ13

弯曲
Bend
PE-A10

D1

TD8

TZ14

TZ11

PE-A5

A25

A26

A21

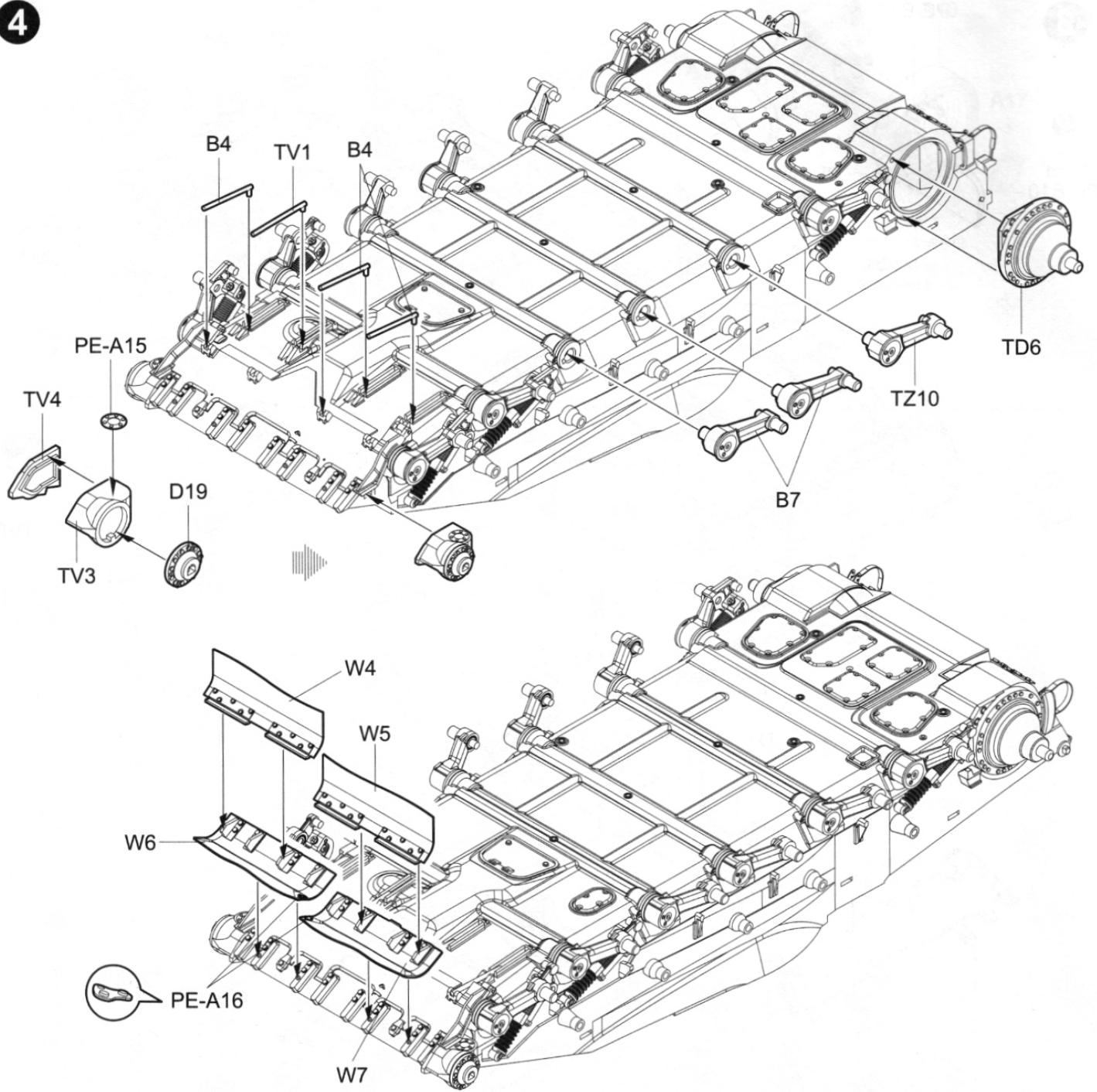
A7

B9

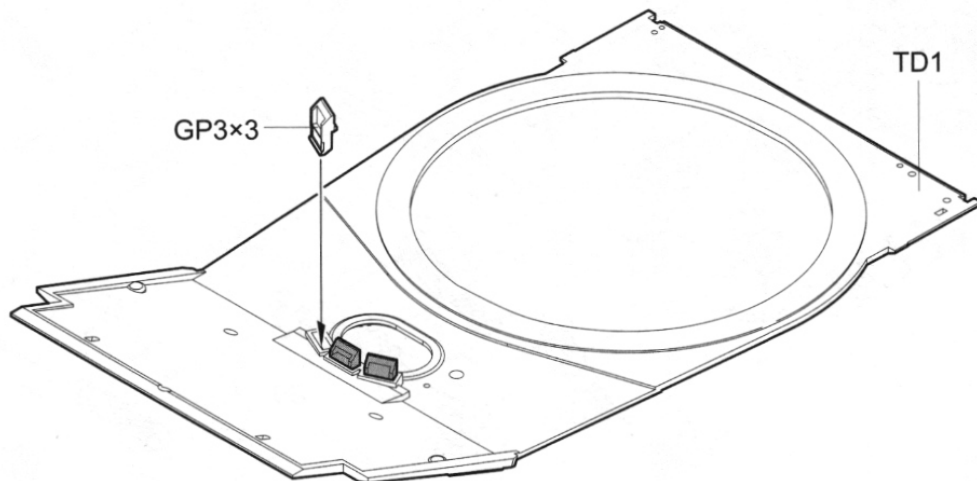
B9

制作3组
Make three

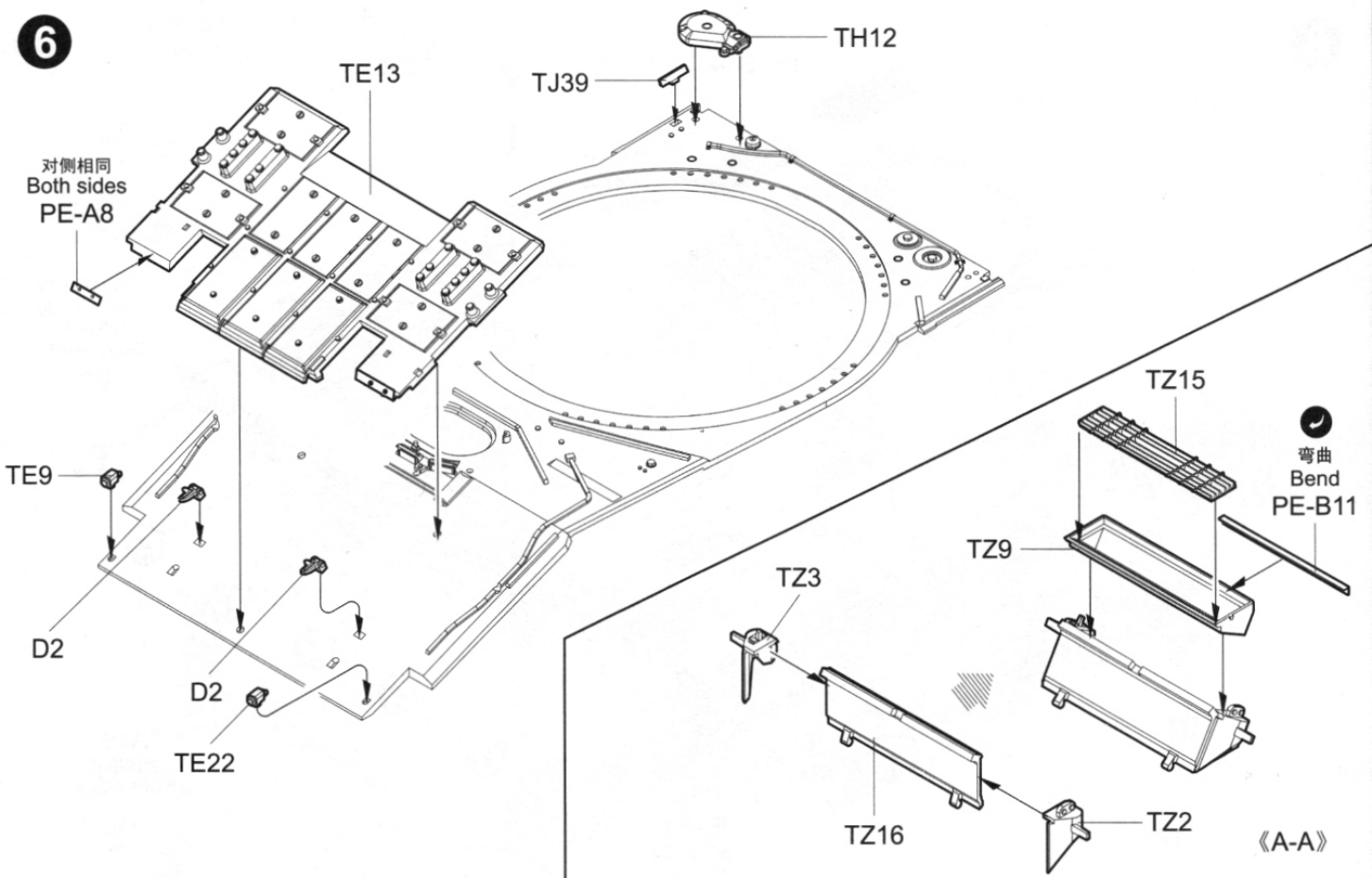
4



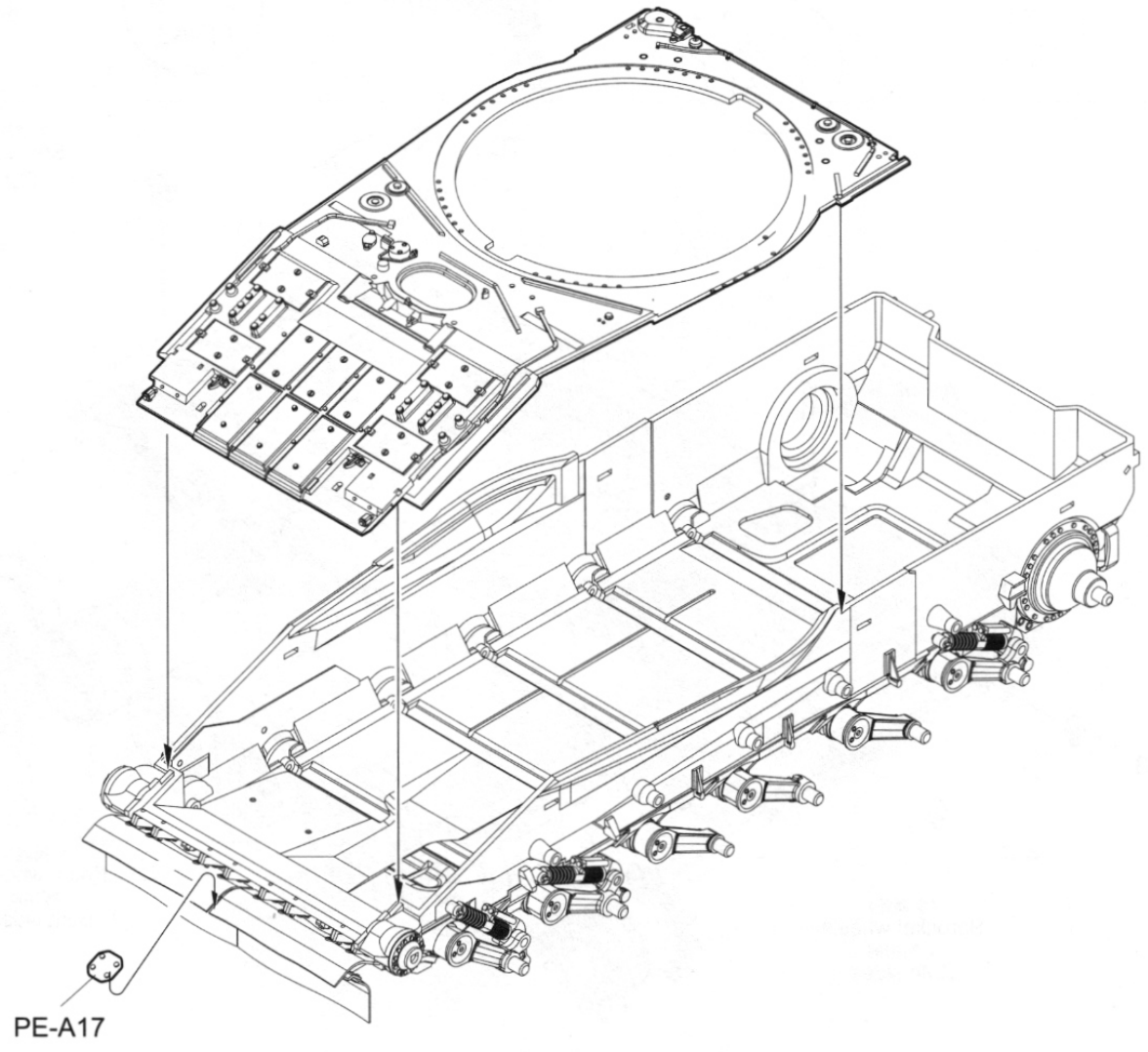
5

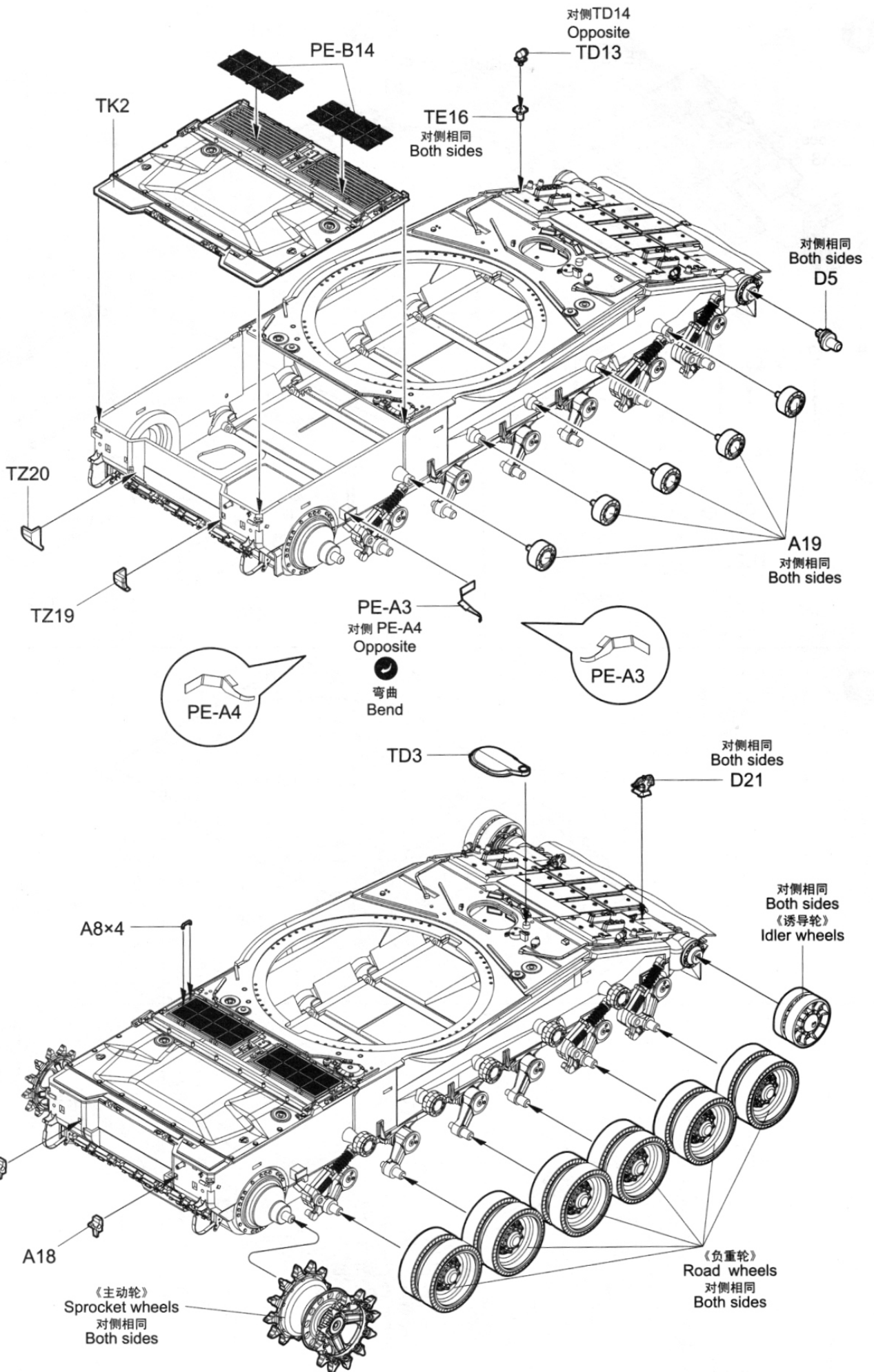


6



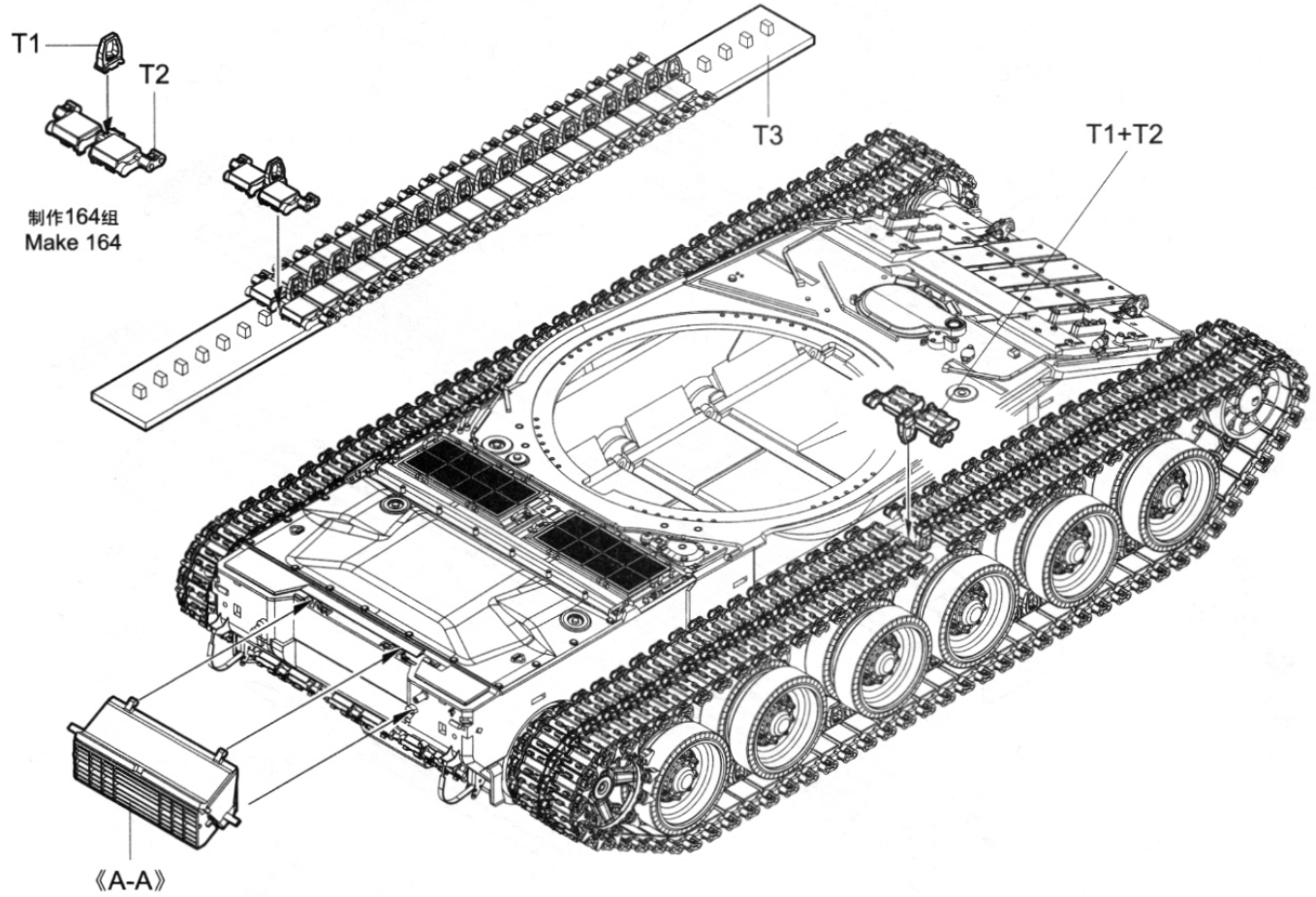
7



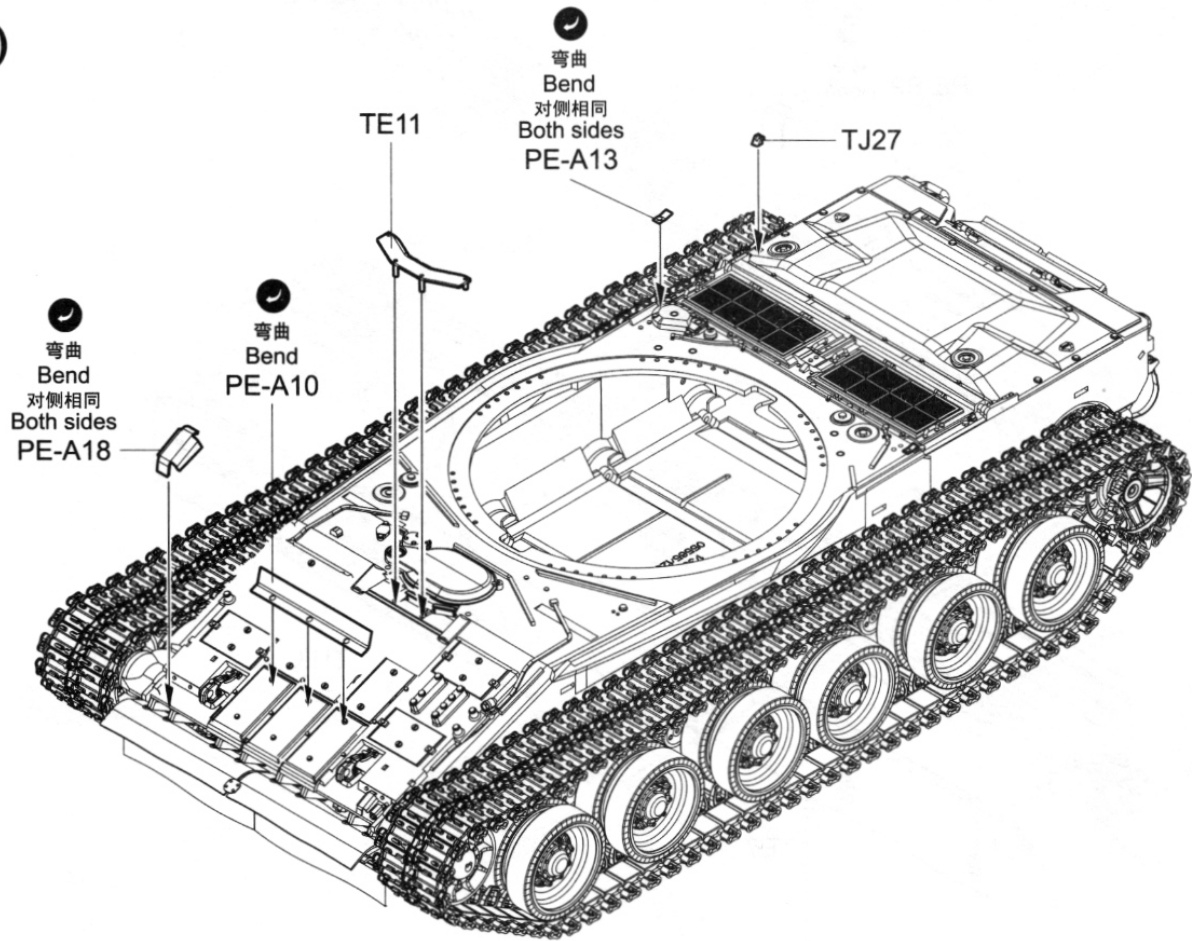


9

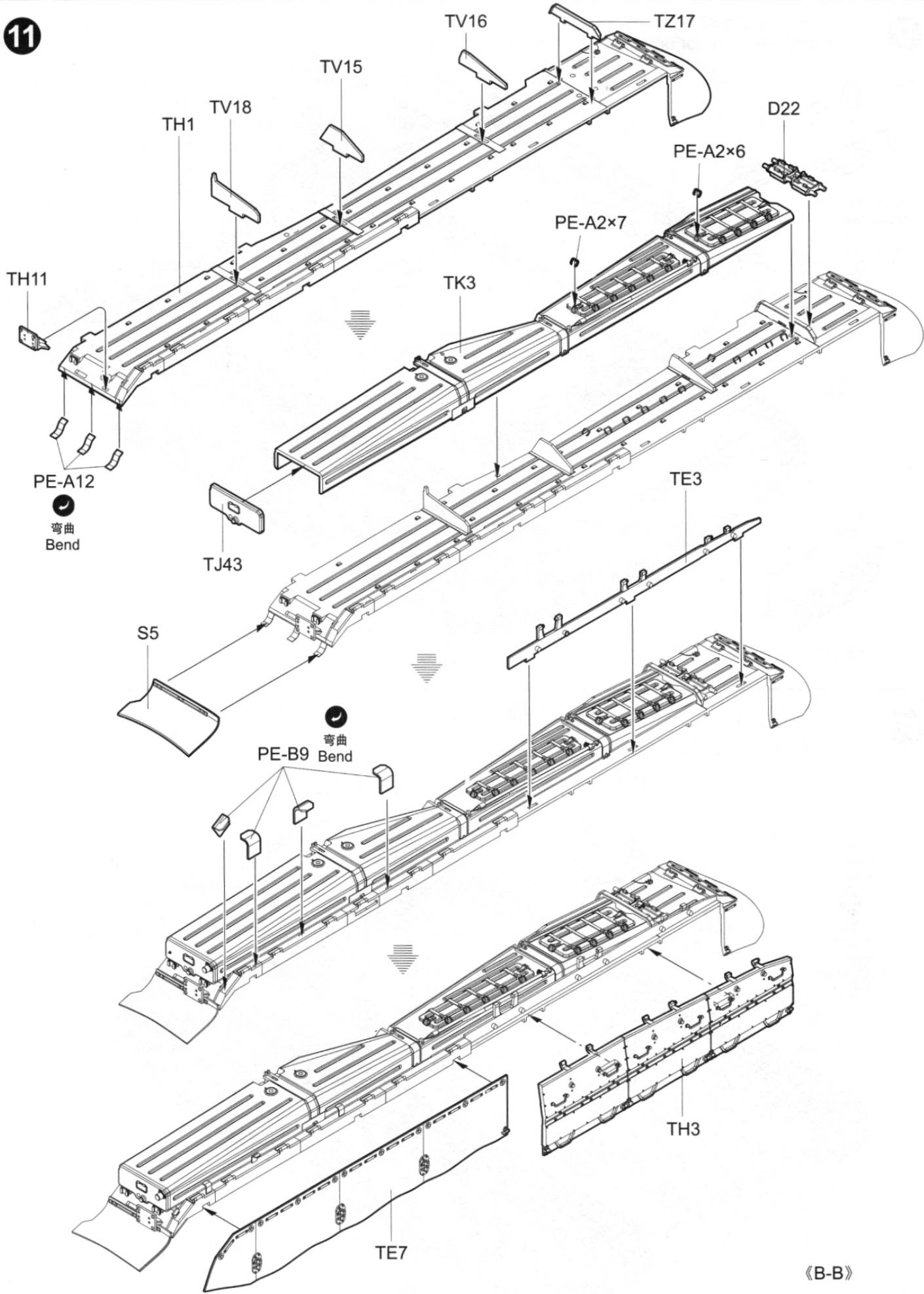
单侧履带约需要82节
Complete track for one side require 82 links.

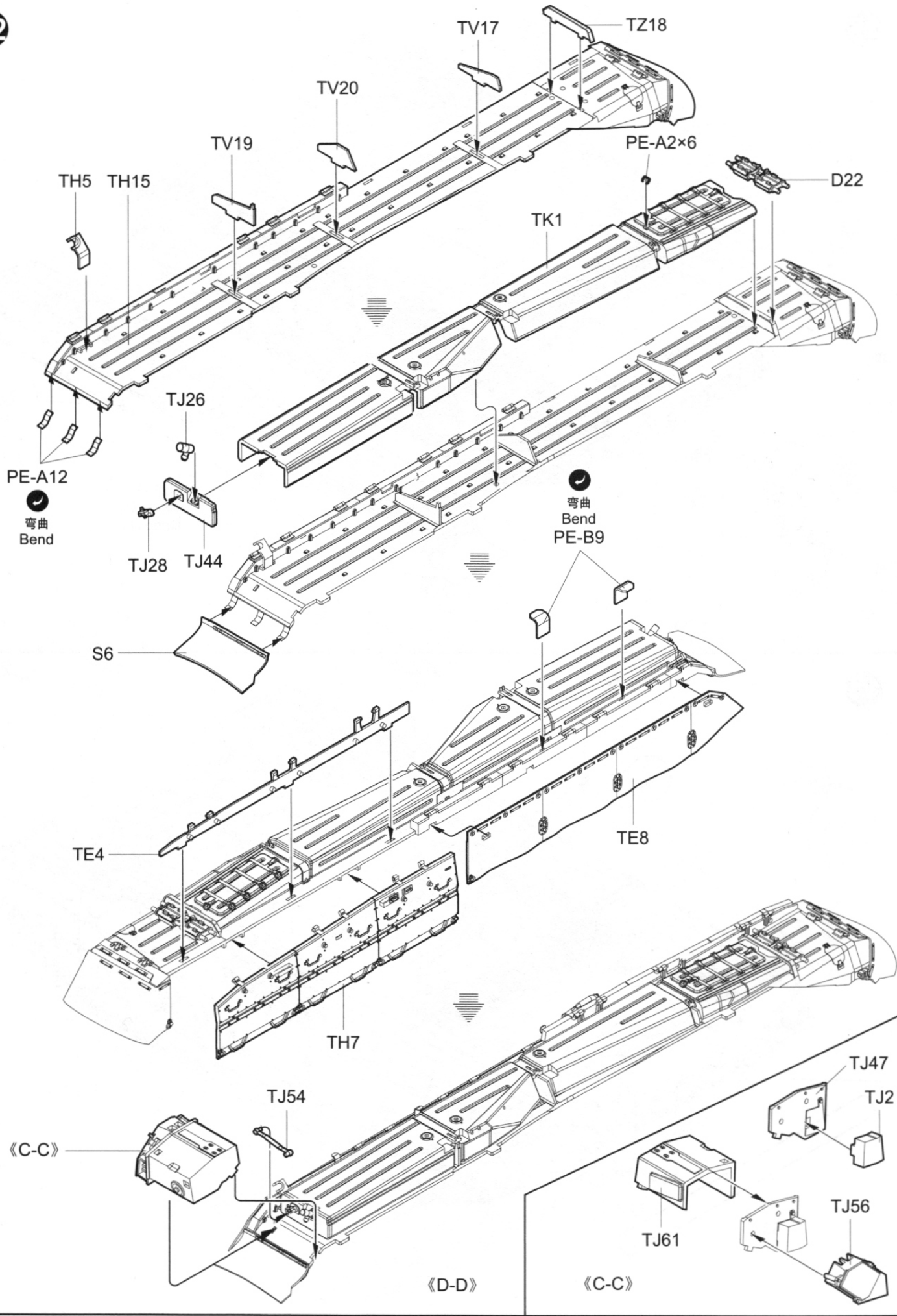


10

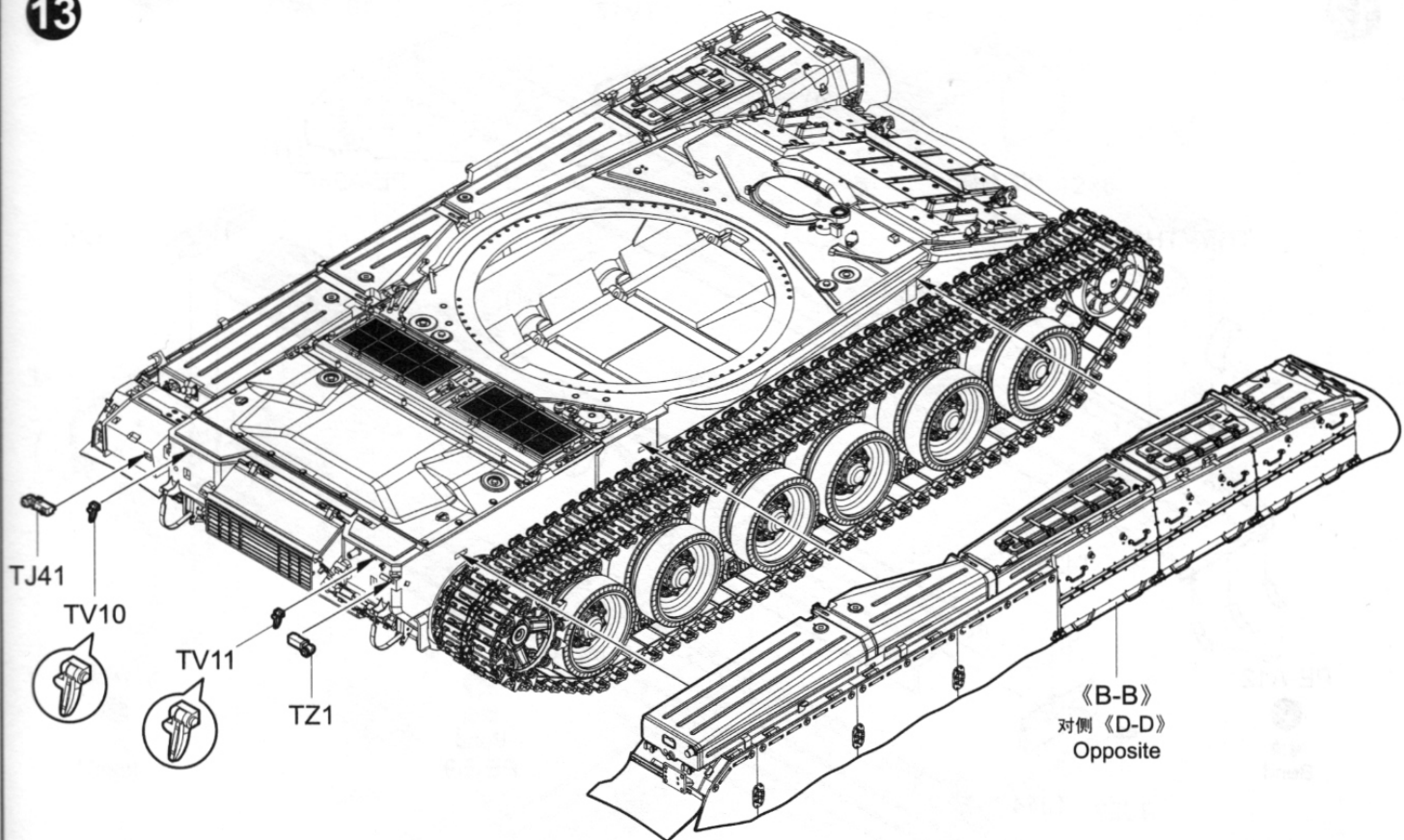


11

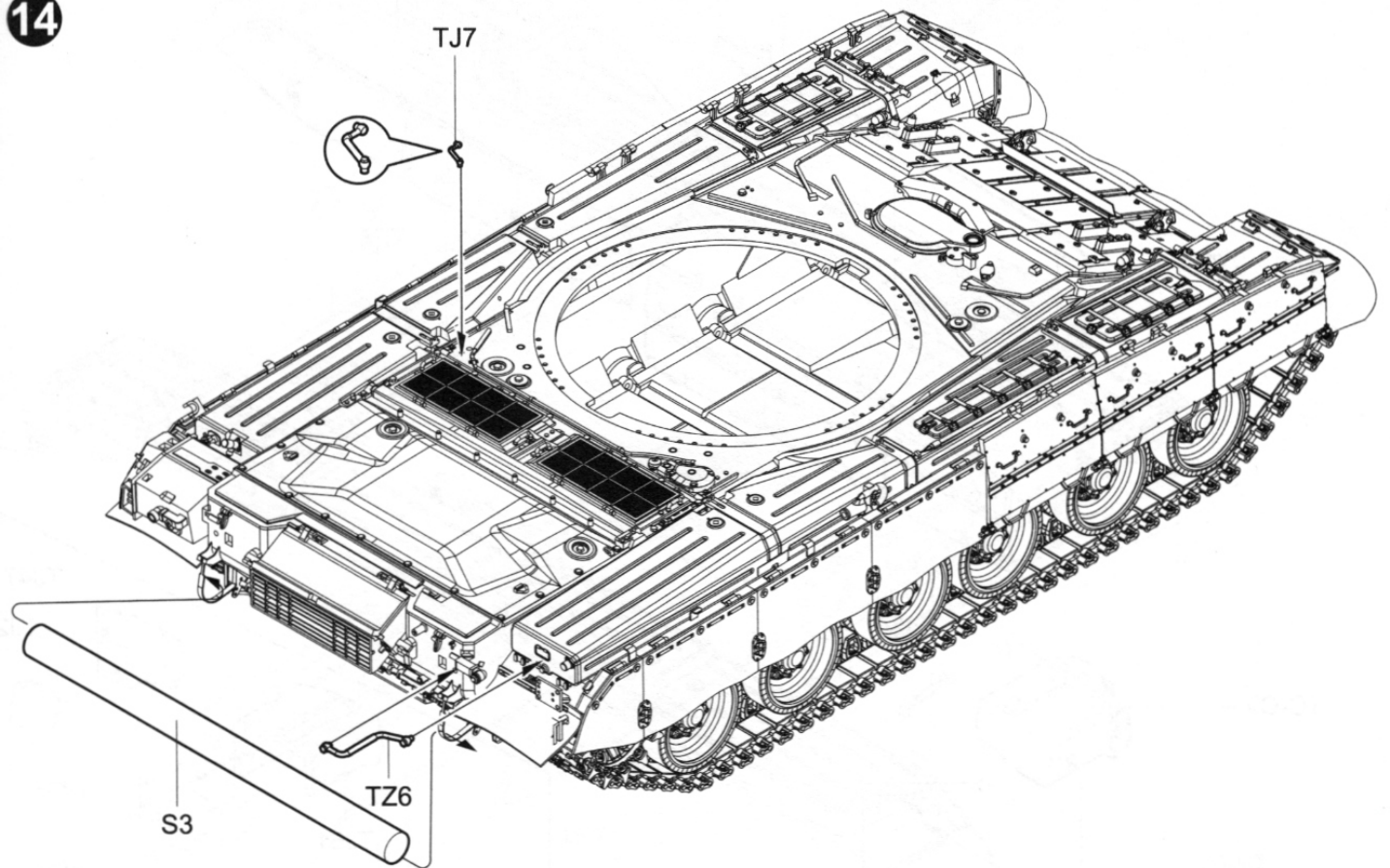


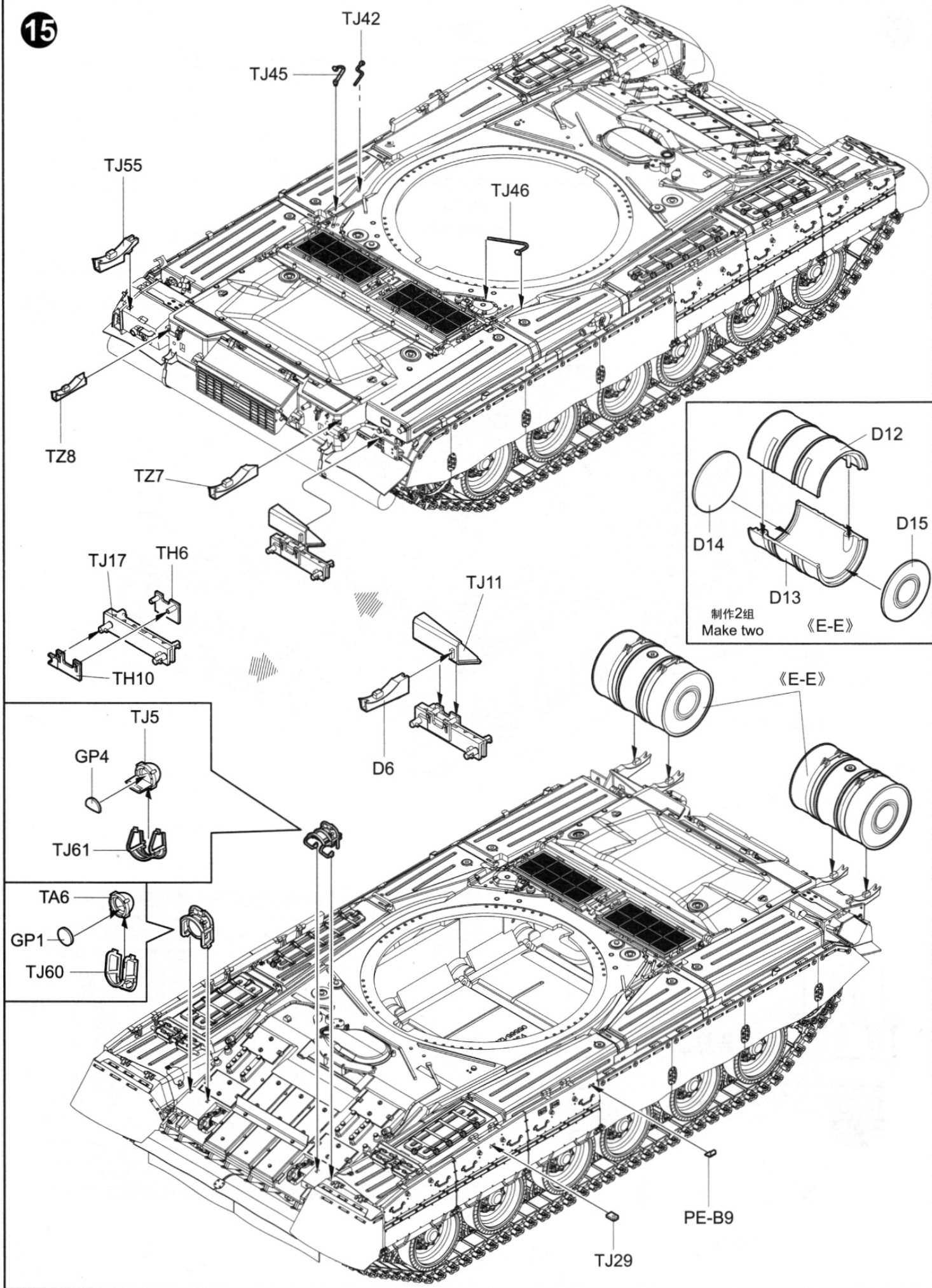


13

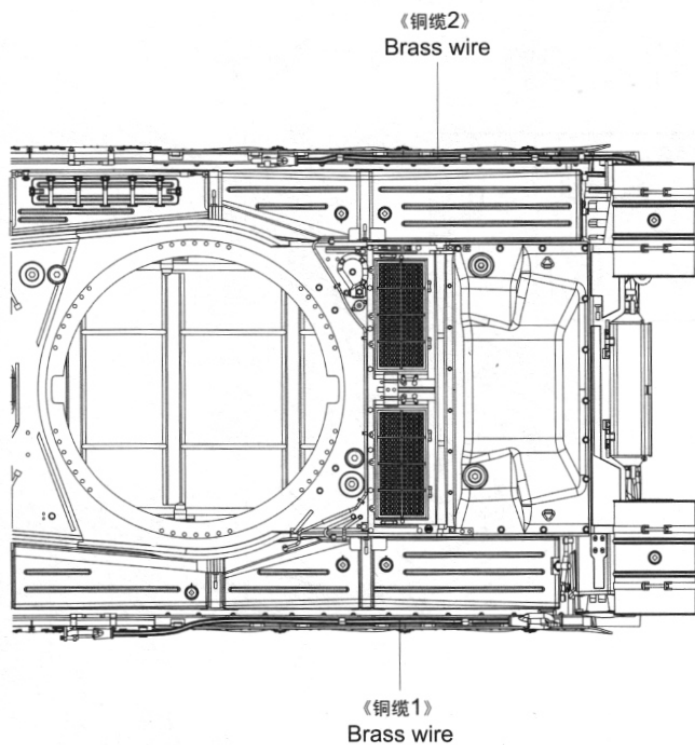
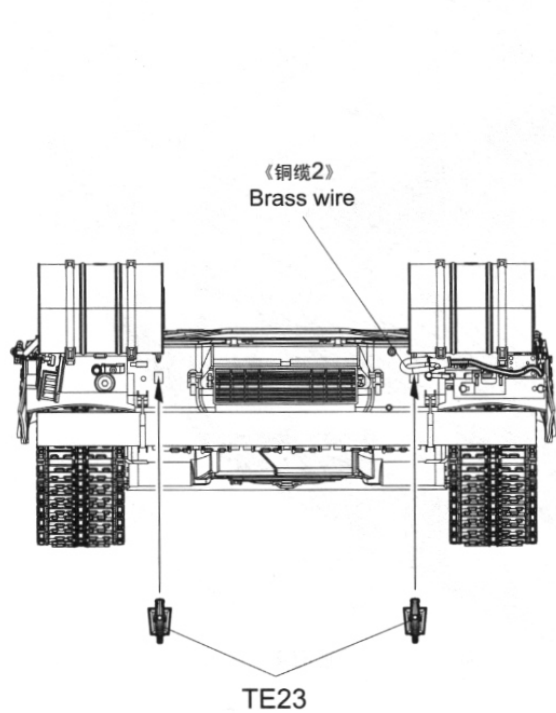
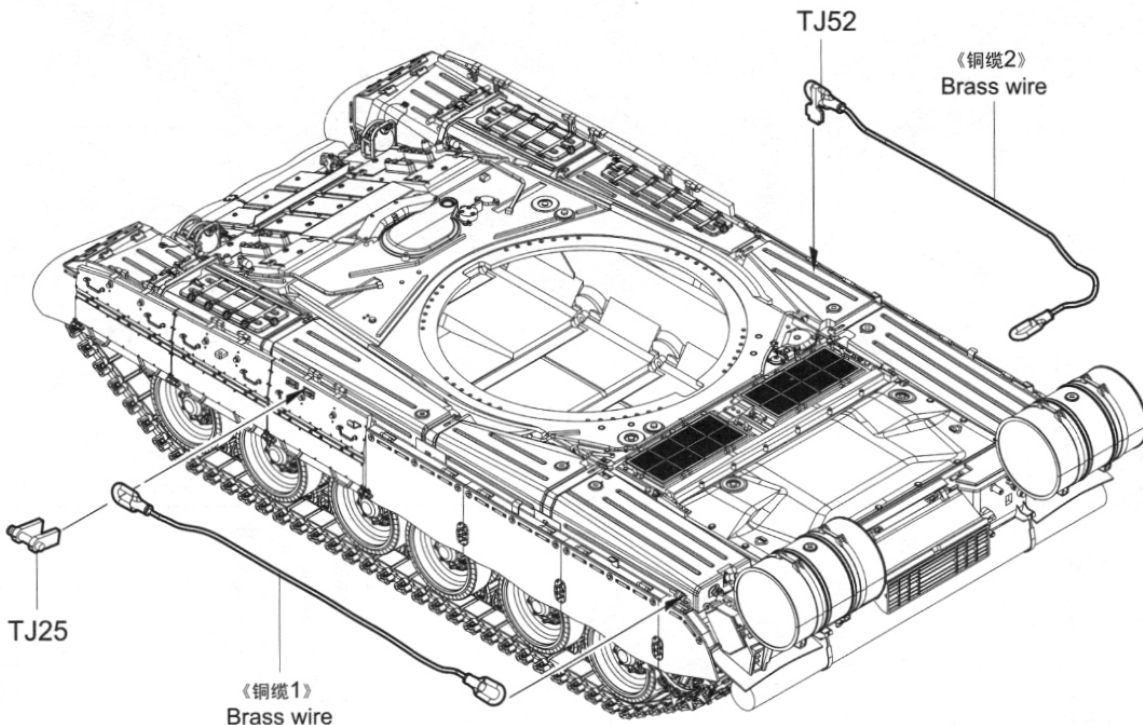
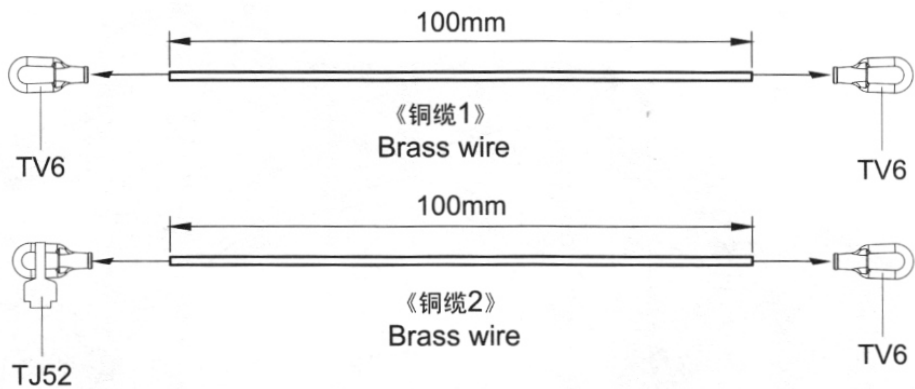


14

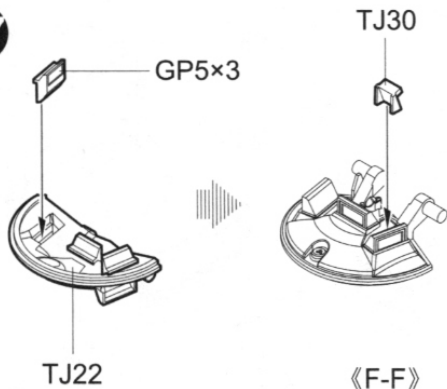




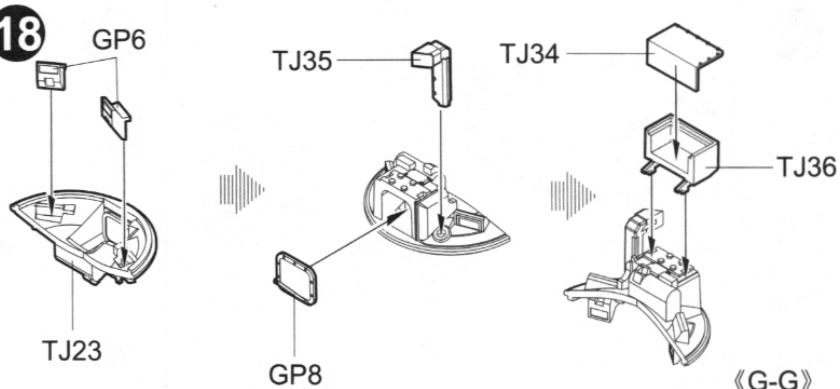
16



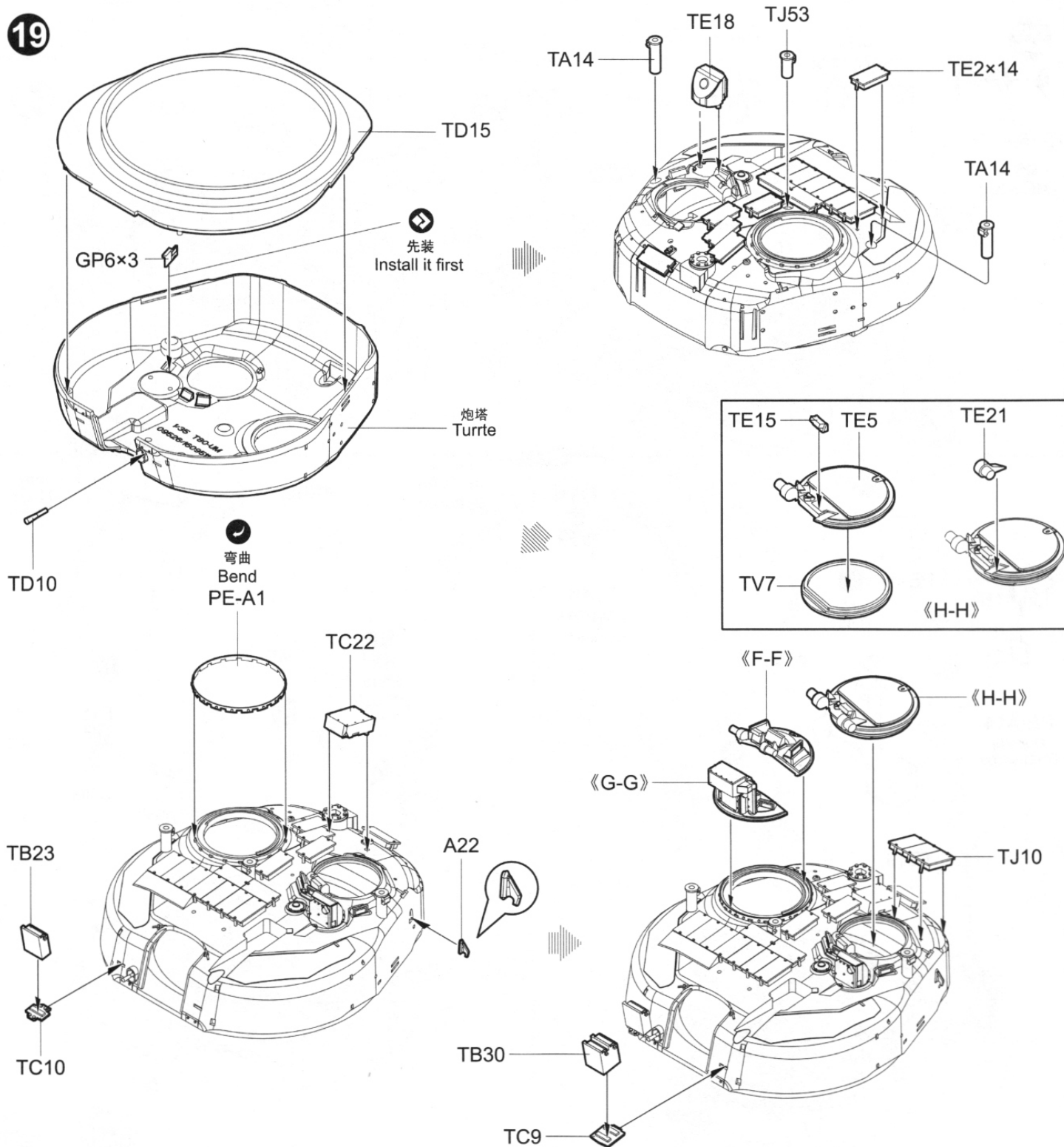
17

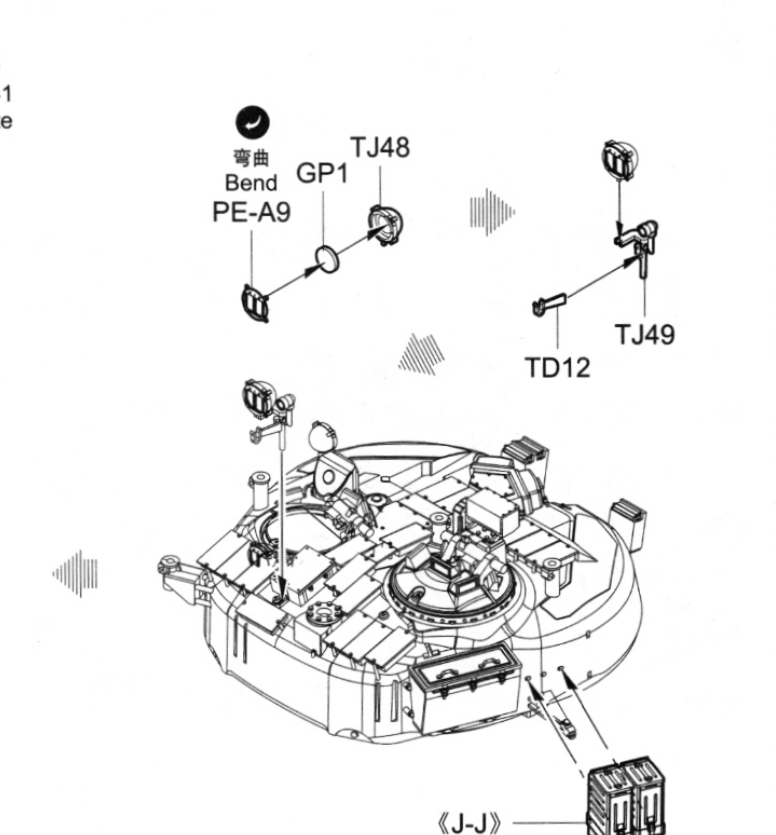
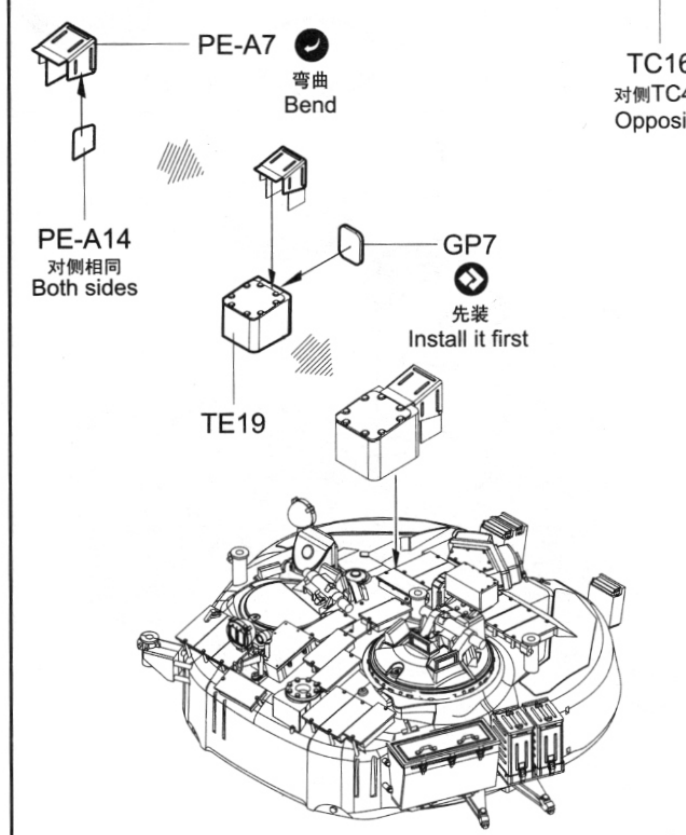
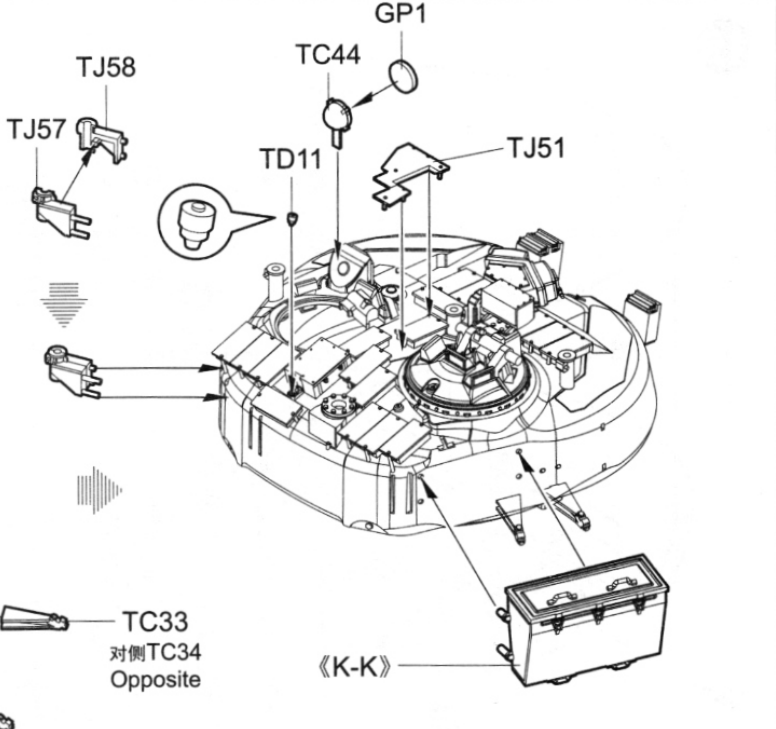
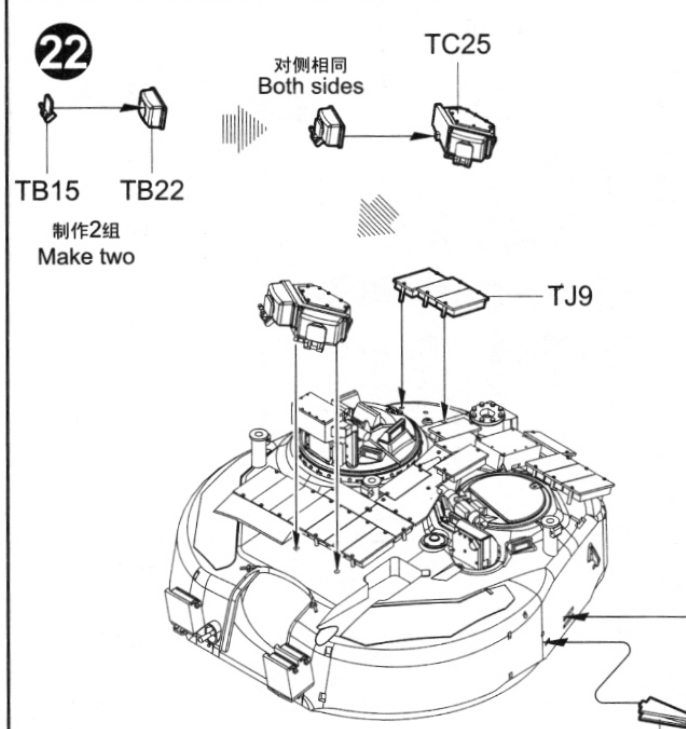
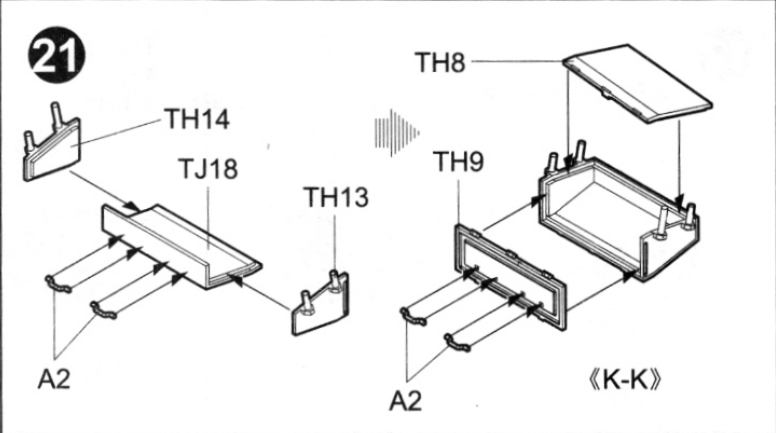
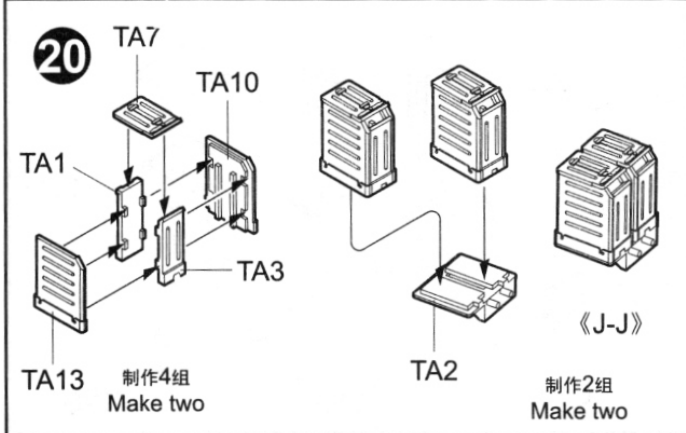


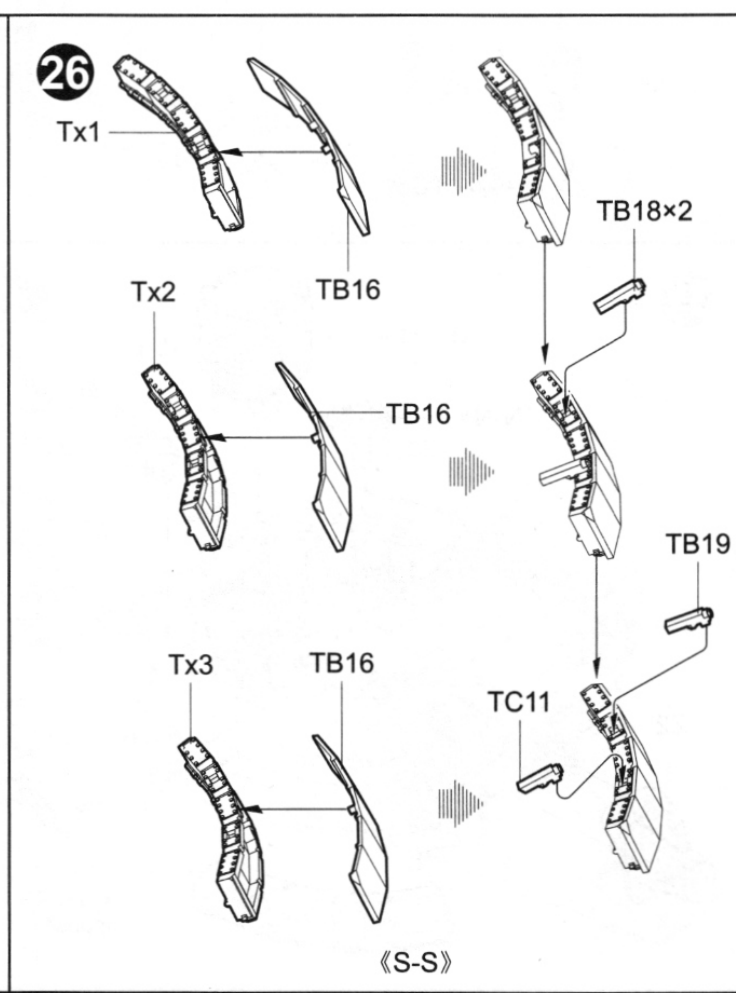
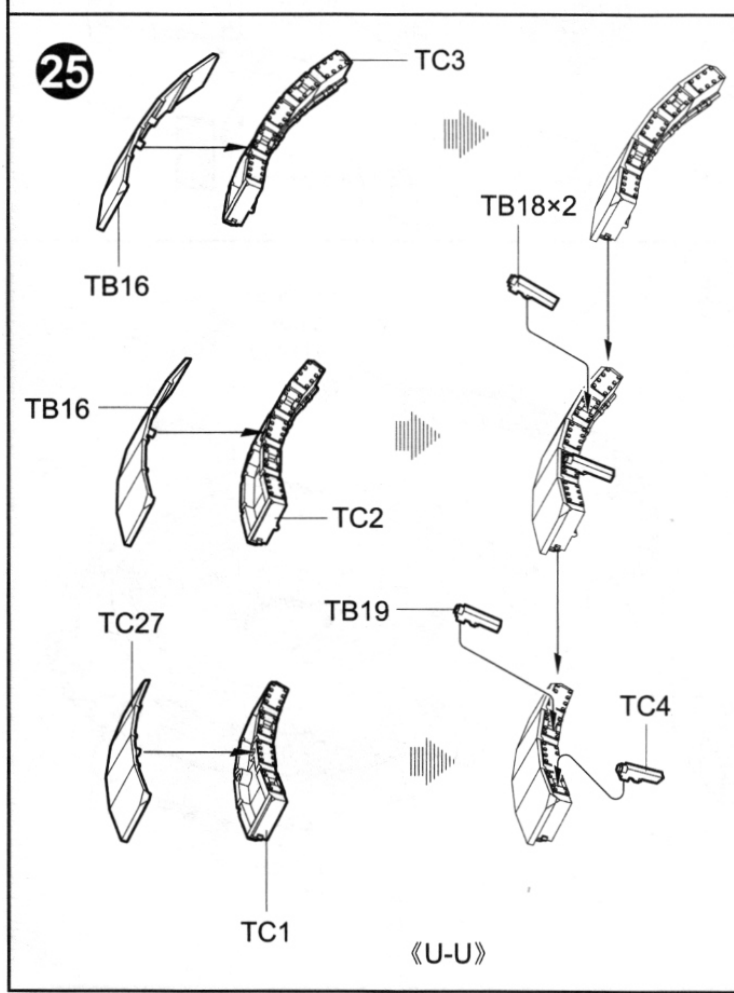
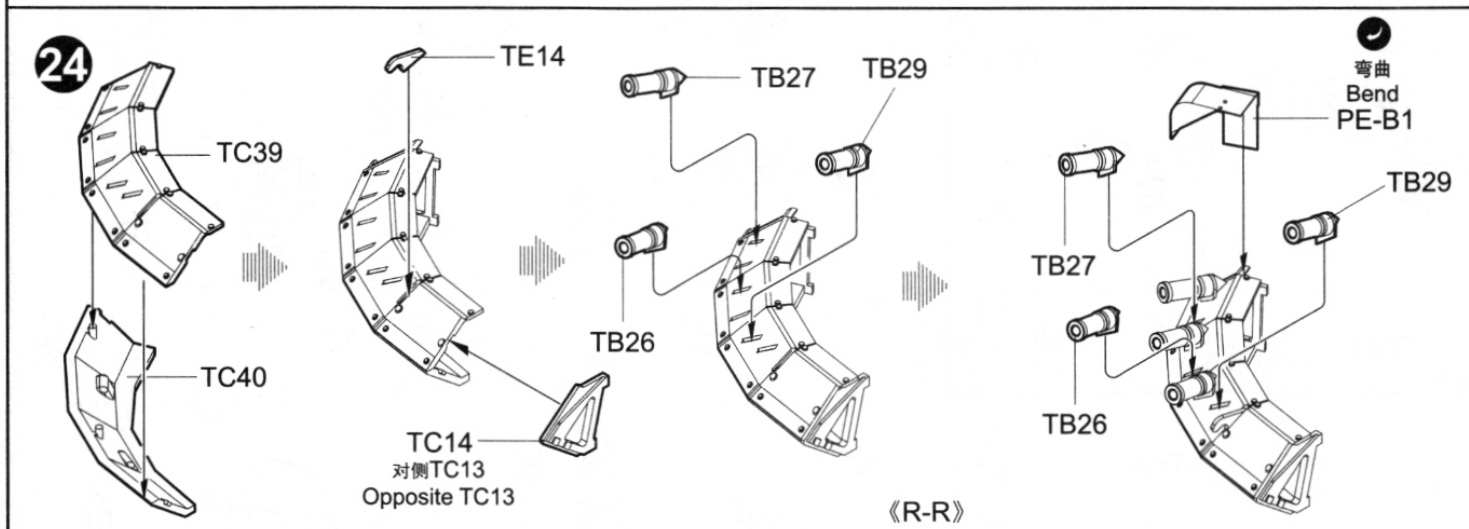
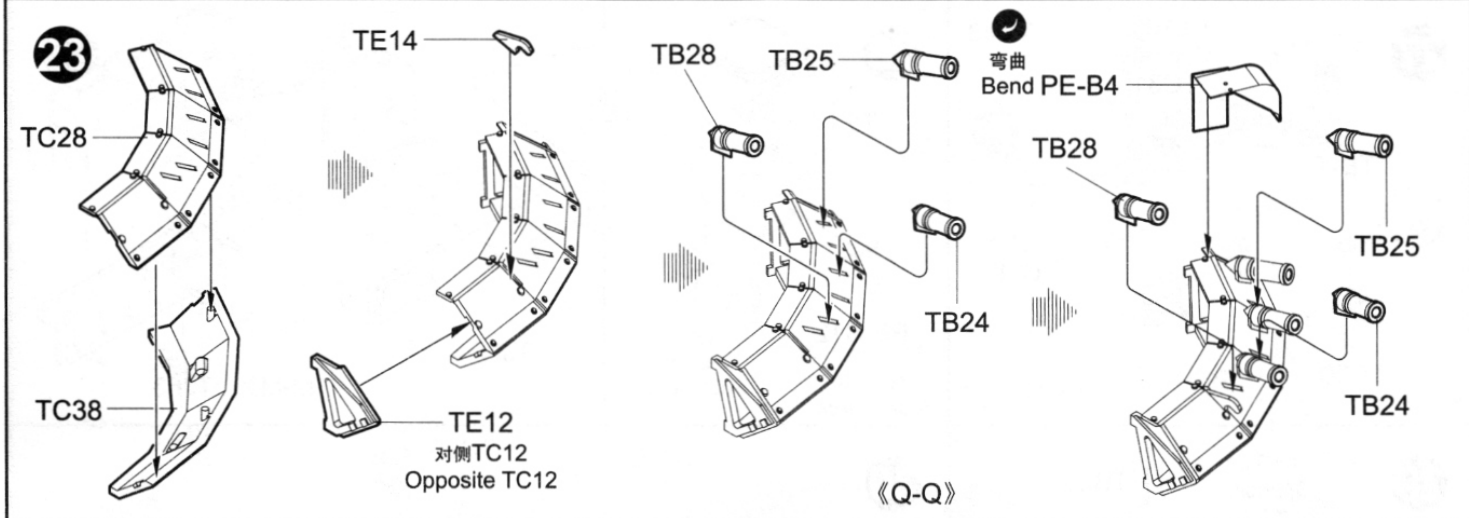
18



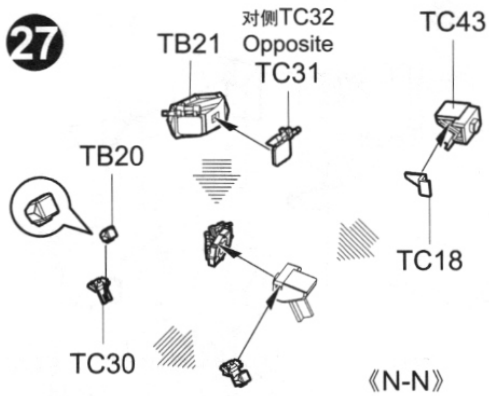
19



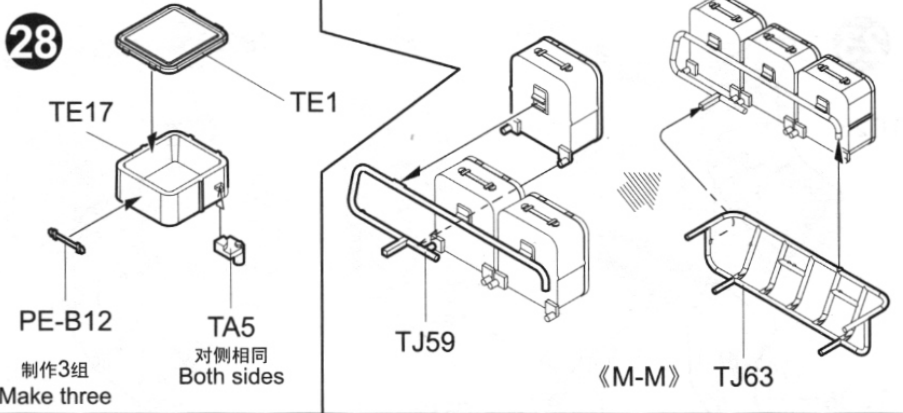




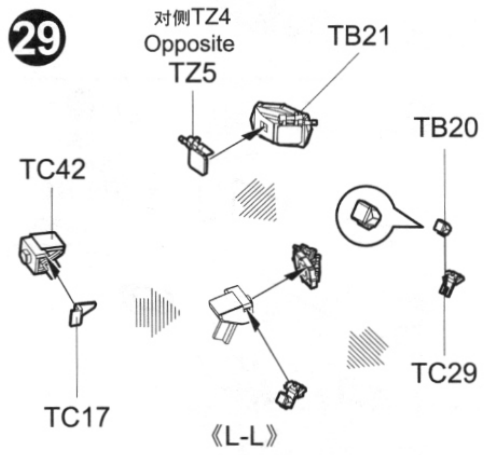
27



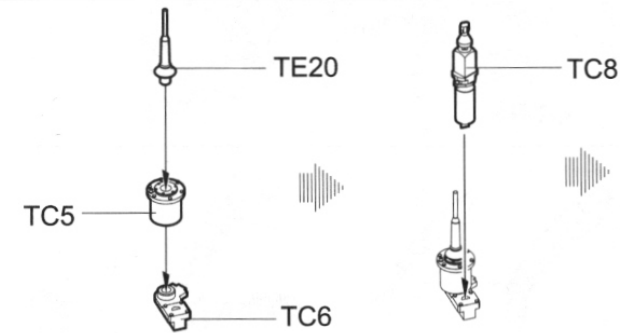
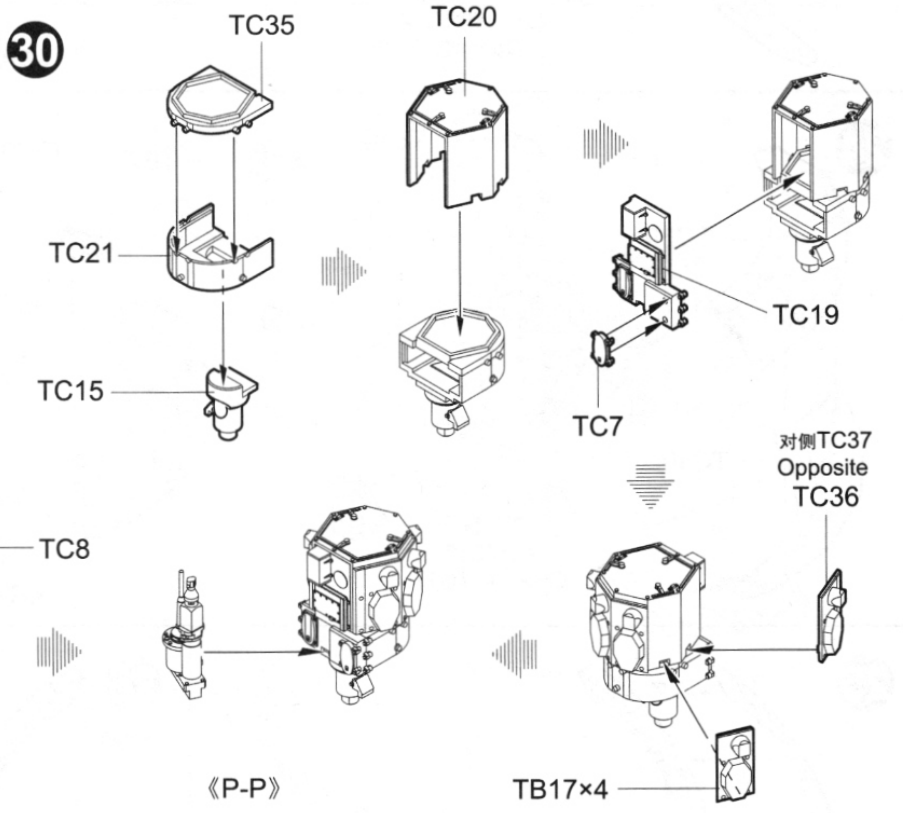
28



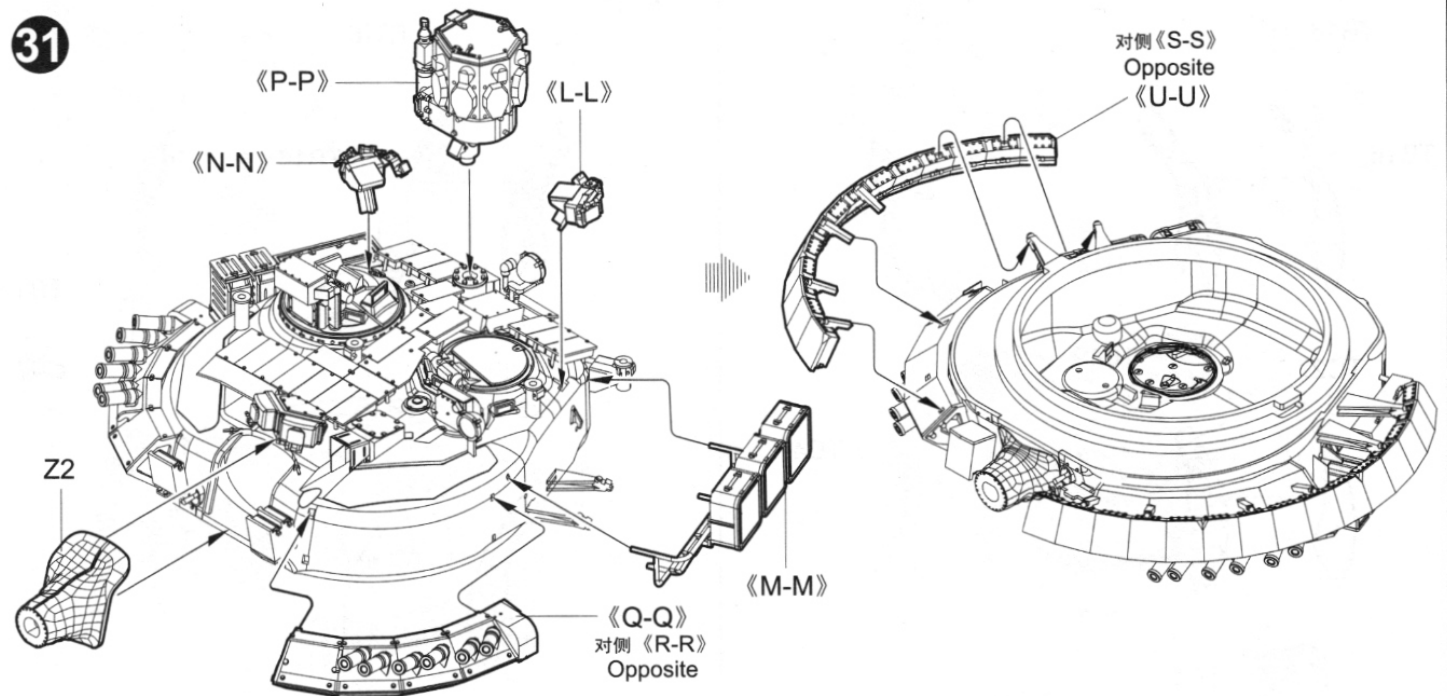
29



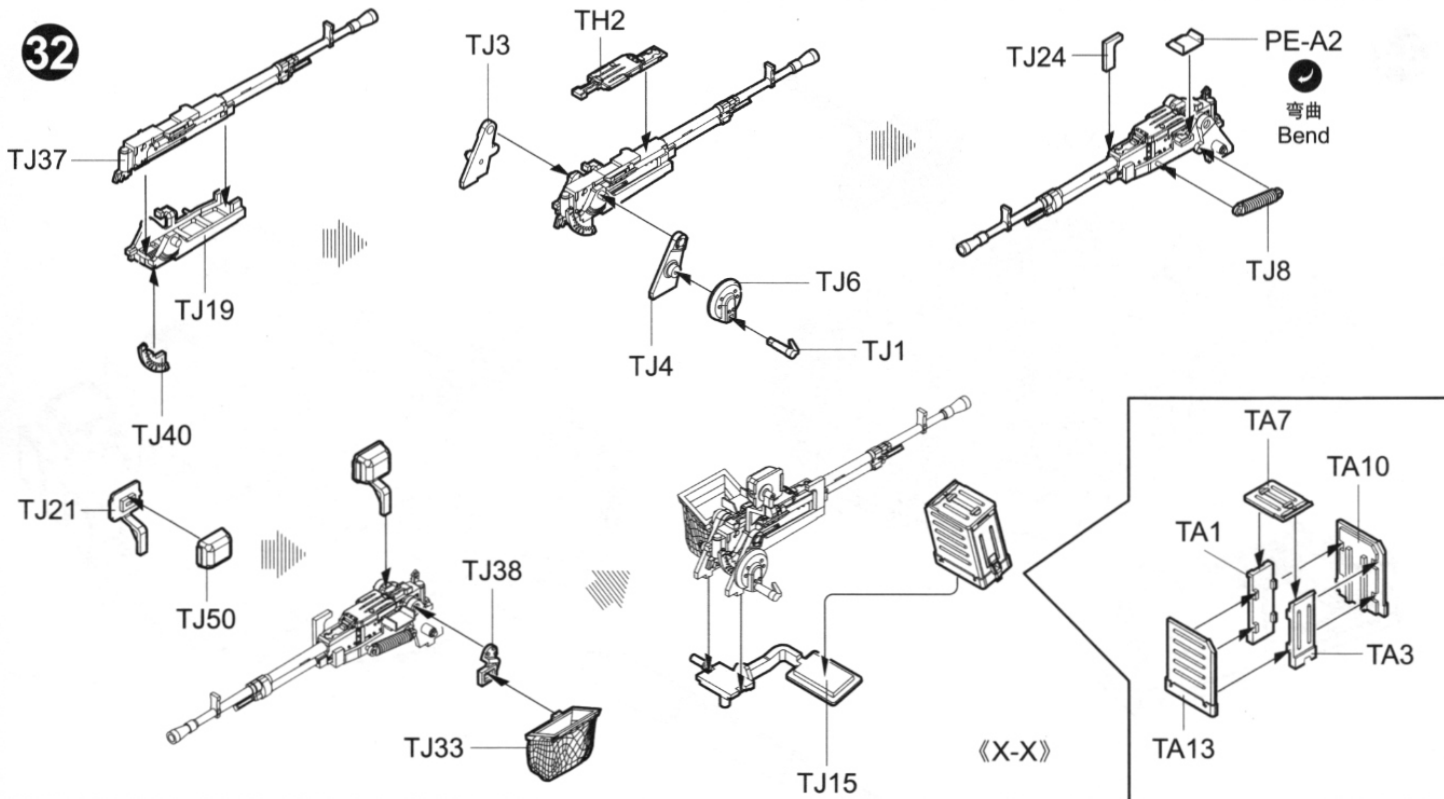
30



31



32



33

