

LANCASTER HOUSE, KINGSDOWN PARK, TANKERTON, KENT, CT5 2DU
Tel. (0227) 277569 Fax. (0227) 274265
REG. IN GREAT BRITAIN No. LN 3845

PEGASUS "BOULTON-PAUL BALIOL T2"

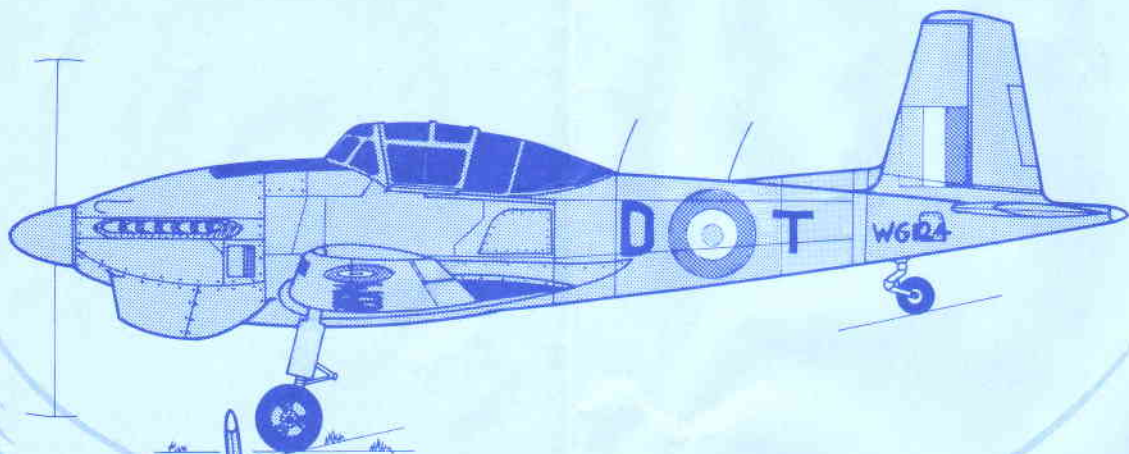
Construction Notes

1. Firstly separate fuselage halves from sprue, then rub down gently until a perfect match has been made.
2. Join together adding the dual seats and detail cockpit to individual choice. (The radiator aperture should also be blanked off.)
3. When dry, remove join line and trim and attach inner and outer wing sections; filling join lines where visible.
4. Add fin and tailplane, and using true size template on 3 view, construct two u/c doors.
5. Invert model and attach white metal u/c legs and scissor links. (White metal parts should be glued with cyanoacrylate adhesive e.g. Superglue.) When dry add plastic card u/c doors and tailwheel.
6. When dry, add propellor and main wheels. After painting cockpit add canopy.
7. Paint model in accordance with "colouring notes", and when completed add decals.

PAINTS USED:

<u>Colours</u>	<u>Methuen</u>	<u>Federal Standards</u>
R.A.F. Trainer Yellow	3A8	FS 13655
Satin/Matt Black	22F1	FS 37031
Airframe Silver	Matt Silver	Matt Silver
Tyre Blade	23F1	FS 36081
R.A.F. Grey Green	30C4	FS 24449

PEGASUS

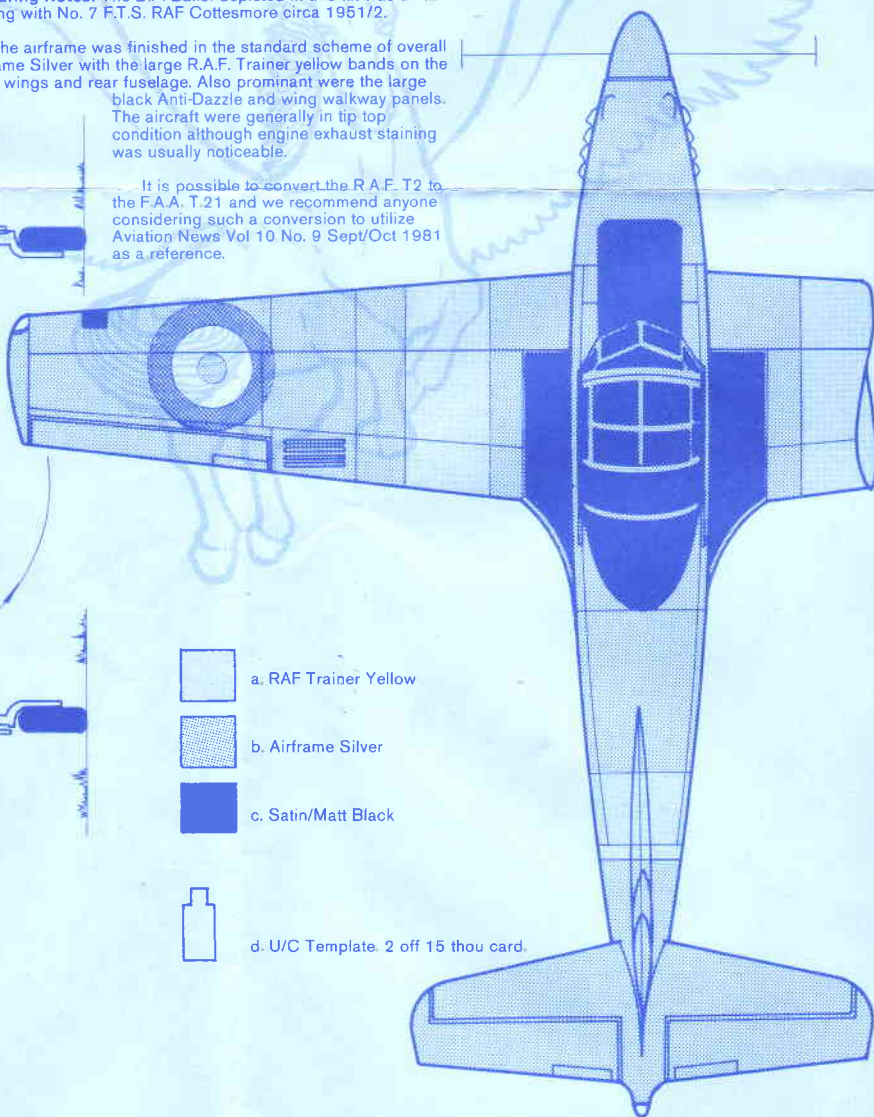
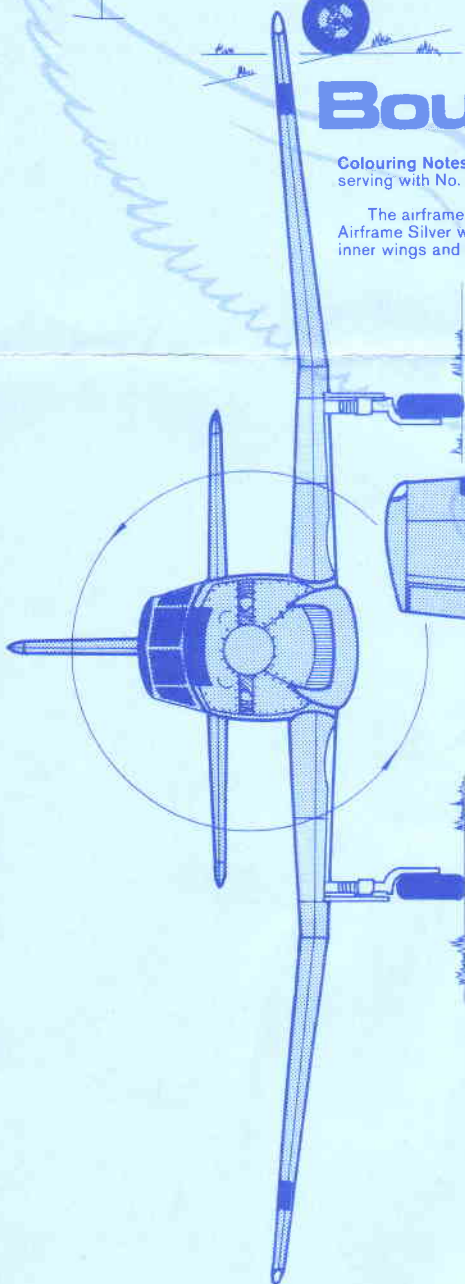




Boulton Paul Balliol T2

Colouring Notes: The B.P. Balliol depicted in this kit was a T.2 serving with No. 7 F.T.S. RAF Cottesmore circa 1951/2.

The airframe was finished in the standard scheme of overall Airframe Silver with the large R.A.F. Trainer yellow bands on the inner wings and rear fuselage. Also prominent were the large black Anti-Dazzle and wing walkway panels. The aircraft were generally in tip top condition although engine exhaust staining was usually noticeable.

It is possible to convert the R.A.F. T.2 to the F.A.A. T.21 and we recommend anyone considering such a conversion to utilize Aviation News Vol 10 No. 9 Sept/Oct 1981 as a reference.



-  a. RAF Trainer Yellow
-  b. Airframe Silver
-  c. Satin/Matt Black

-  d. U/C Template. 2 off 15 thou card.