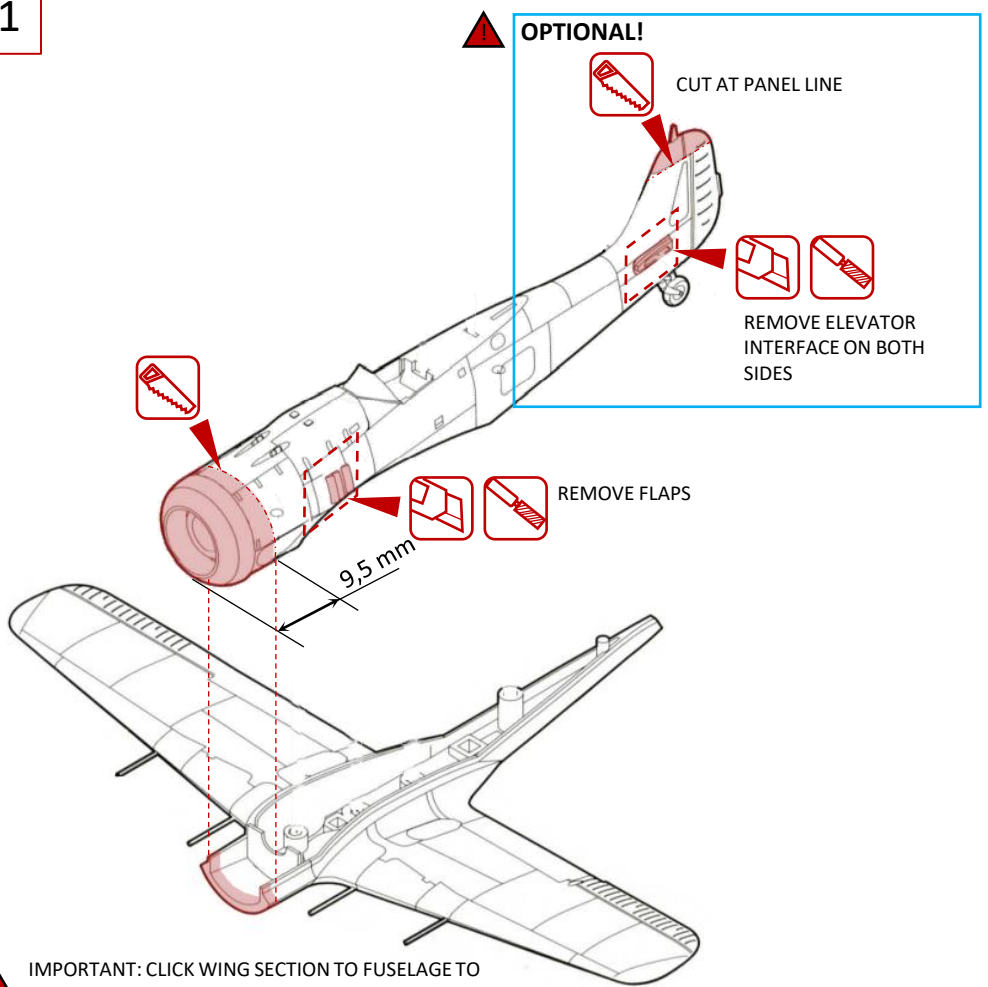


ENC0722021-4
CONVERSION SET TO BE USED WITH
HOBBY BOSS KITS

FOCKE-WULF FW 190TL
1/72

-  CUT WITH KNIFE
-  GRINDING / FILE
-  PAINTING
-  SANDING AND FILLING MIGHT BE NECESSARY!
-  CUT WITH SAW
-  SUPERGLUE

1

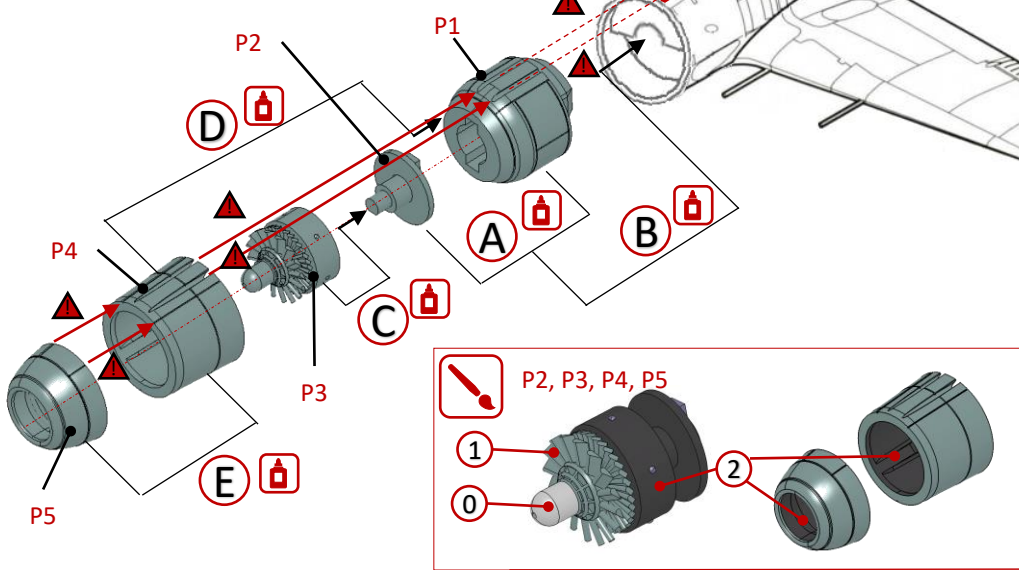


IMPORTANT: CLICK WING SECTION TO FUSELAGE TO CUT BOTH PARTS (9.5 MM) TO MAKE CUT MATCHING

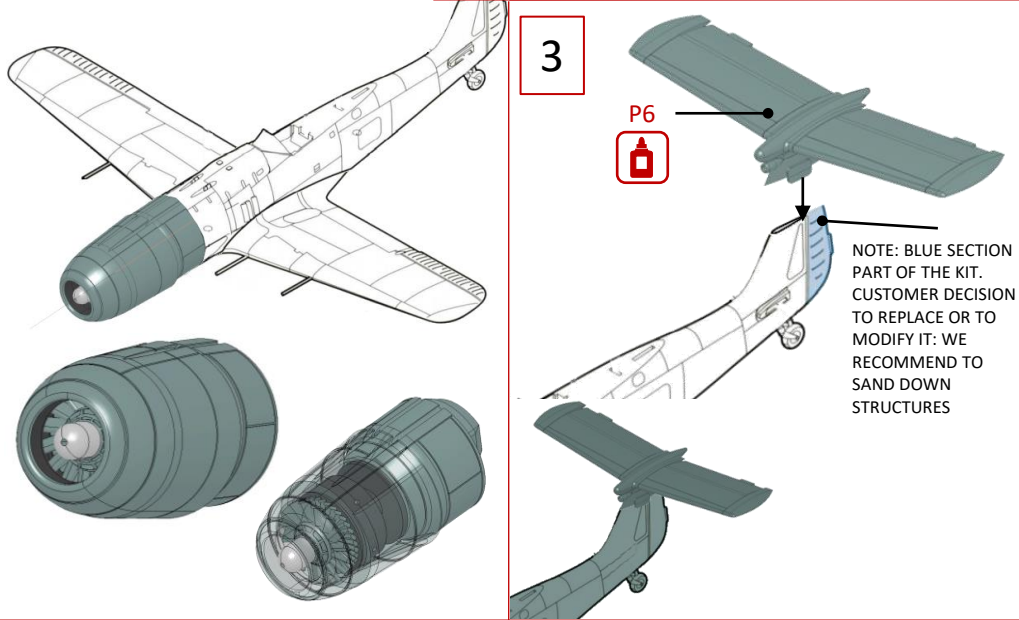
2


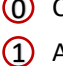
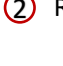
IMPORTANT: MAKE SURE PANEL LINES ARE MATCHING

ENLARGE GUN SLOTS IN FLIGHT DIRECTION TO MEET P1



3



-  ① CUSTOMER CHOICE
-  ② ALUMINUM
-  ③ RLM66 BLACK/GRAY