



Pontiac Banshee

KIT 7100

1/25 SCALE 1/25 ECHELLE ESCALA 1/25

REVELL, INC. Des Plaines, IL Copyright © 1989 All rights reserved. Made in U.S.A. 7100 R 4200

Sleek and sensuous, the scarlet Pontiac Banshee is an exciting vision of the future! This fascinating creation blends the most advanced 21st Century concepts in powerplant, suspension, and interior design technology with a breathtaking body shaped by the wind. Concept cars like the awesome Banshee represent a bold exploration of future technologies by forward-thinking teams of designers and engineers with "gasoline in their veins" and the challenge of tomorrow in their hearts!

Pontiac's gorgeous Banshee explores the future of a futuristic high-performance, four-passenger machine in the tradition of the legendary Pontiac Firebirds. The actual car is powered by a fuel-injected, dual overhead cam 4.0-liter V-8 engine that develops in excess of 230 brake horsepower. It also is equipped with four-wheel disc brakes, an Anti-Lock Brake System (ABS), and adjustable rear spoilers.

The sleek body features a flush-mounted video display. The interior sports contoured seats, a telescopic steering wheel, and an operational Head-Up Display (HUD) that projects holographic images of speed, fuel level, and related data on the inside of the sloping windshield.

This exotic machine is a Revell exclusive! From the graceful body to the opening hood that reveals a miniature DOHC motor, this model embodies the excitement of tomorrow!

READ THIS BEFORE YOU BEGIN

- Study the assembly drawings.
- Each plastic part is identified by a number.
- In the assembly drawings, some parts will be marked by a star (*) to indicate plated plastic.
- Scrape plating from areas to be cemented.
- Check the fit of each piece before cementing in place.
- Do not use too much cement to join parts.
- Use only cement for polystyrene plastic.
- Model may be painted to match photos on box.
- Allow paint to dry thoroughly before handling parts.
- Scrape paint from areas to be cemented.
- For better paint and decal adhesion, wash the plastic parts in a mild detergent solution. Rinse and let air dry.

- Le modele peut etre peint conformement aux photos sur la boite.
- Laissez sécher la peinture complètement, avant de manipuler les pièces.
- Grattez la peinture sur les surfaces devant être collées.
- Pour assurer la meilleur adhesion possible de la peinture et des decalcomanies, lavez les pieces de plastique avec une legere solution savonneuse. Rinser et laisser secher à l'aire.

LISEZ CE QUI SUIT AVANT DE COMMENCER LE MONTAGE

- Etudier les schémas d'assemblage.
- Chaque pièce plastique porte un numéro d'identification.
- Sur les schémas d'assemblage, les pièces dont le numéro comporte une astérisque (*) sont en plastique chrome.
- Grattez le chromage sur les surfaces à coller.
- Contrôler que chaque pièce soit bien conforme avant de la coller à sa place.
- N'utilisez pas trop de colle pour réunir les pièces.
- Utilisez uniquement une colle spéciale pour polystyrène.

LEA ESTO ANTES DE EMPEZAR

- Estudie los dibujos de er samblaje.
- Cada pieza de plastico se identifica por un número.
- En los dibujos de ensamble, algunos números de las piezas están marcados con una estrella (*) para indicar plastico laminado.
- Raspe el laminado de las superficies que serán pegadas.
- Verifique que cada pieza encaje bien antes de pegar en posición.
- No use demasiado pegamento para unir las piezas.
- Use unicamente pegamento para plástico de poliestirina.
- El modelo puede pintarse de acuerdo con las fotografías de la caja.
- Permita que se seque la pintura completamente antes de tocar las piezas.
- Raspe la pintura de las superficies que serán pegadas.
- Para una mejor fijación de la pintura y de las calcomanias, lávense las piezas plásticas en una solución de detergente suave. Enjuáguese y déjense secar al aire.



DO NOT CEMENT
NE PAS COLLER
NO USE PEGAMENTO



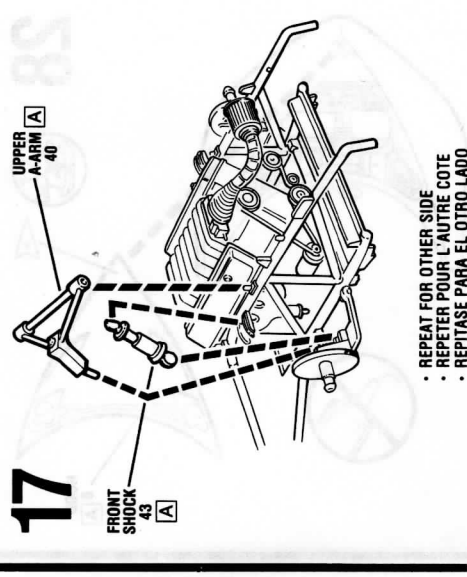
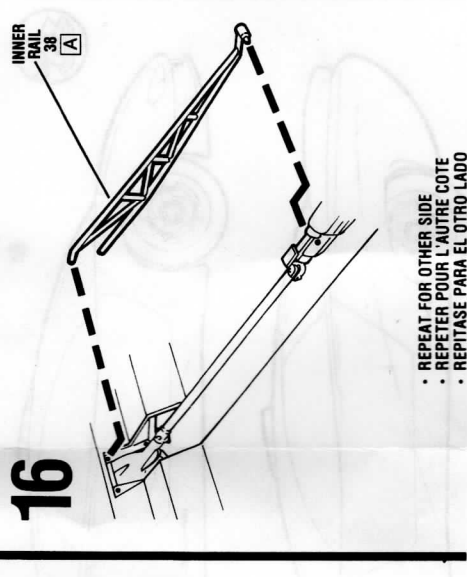
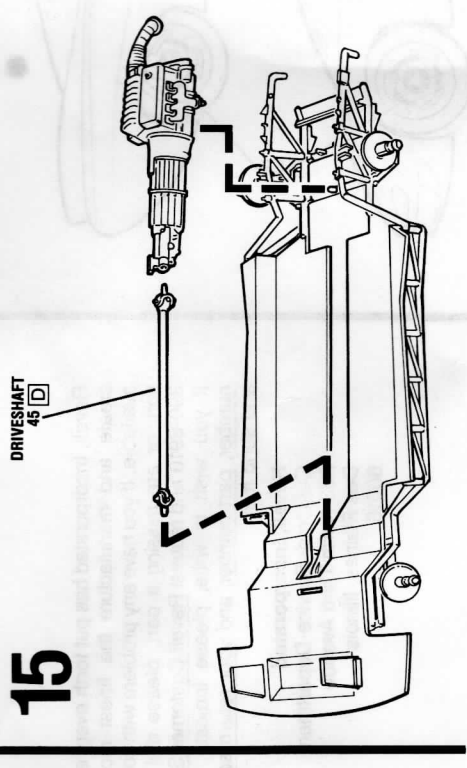
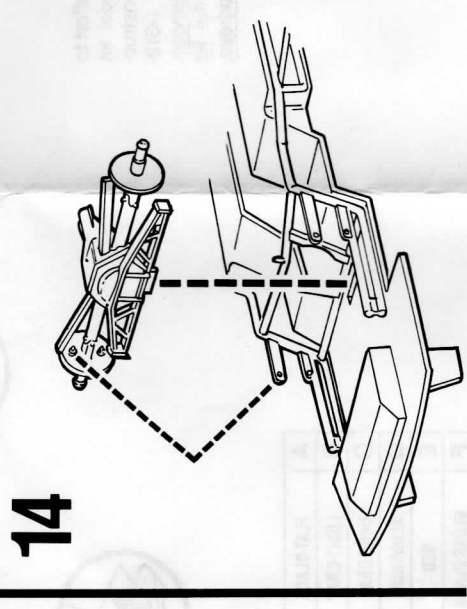
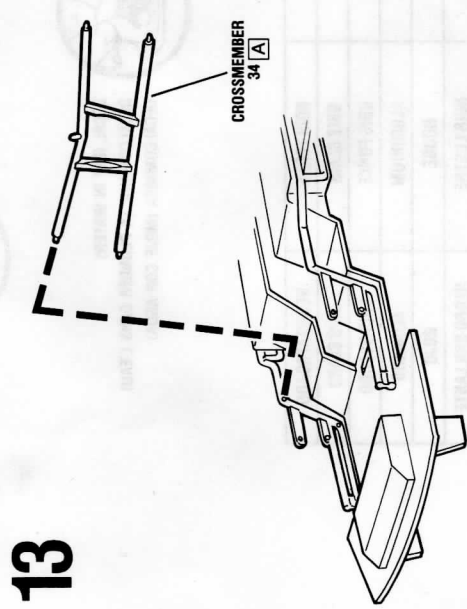
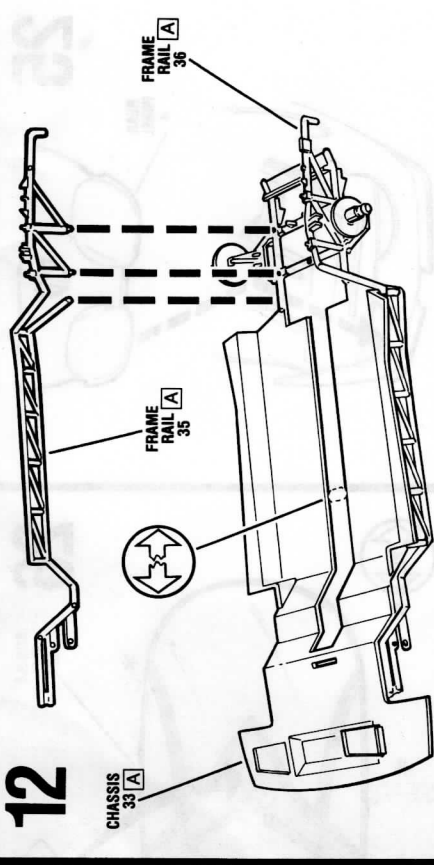
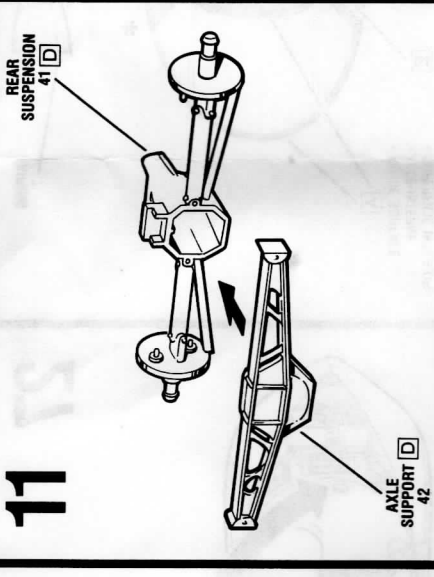
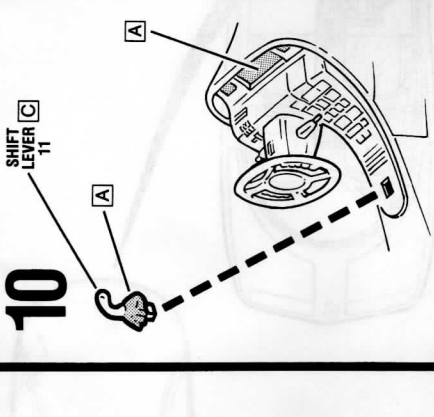
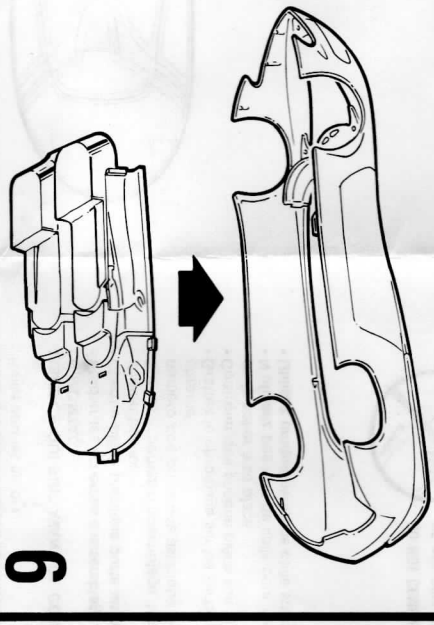
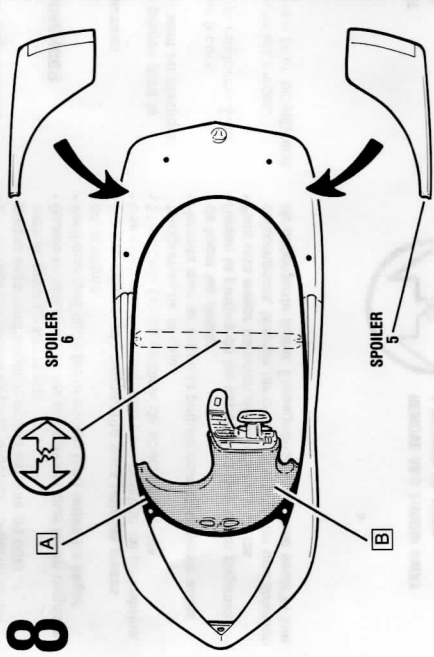
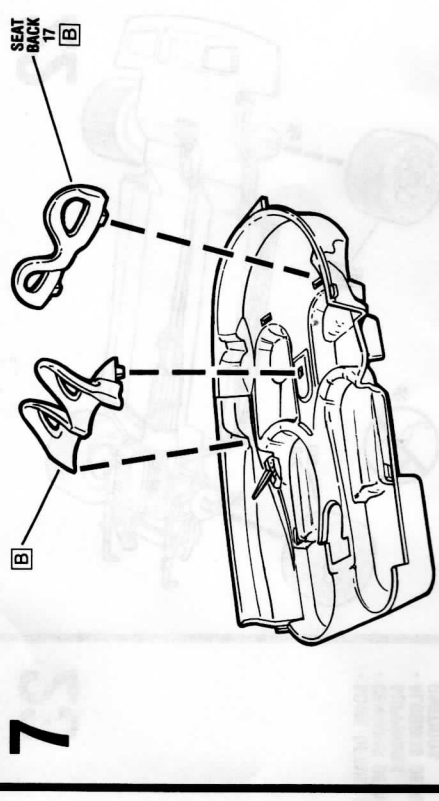
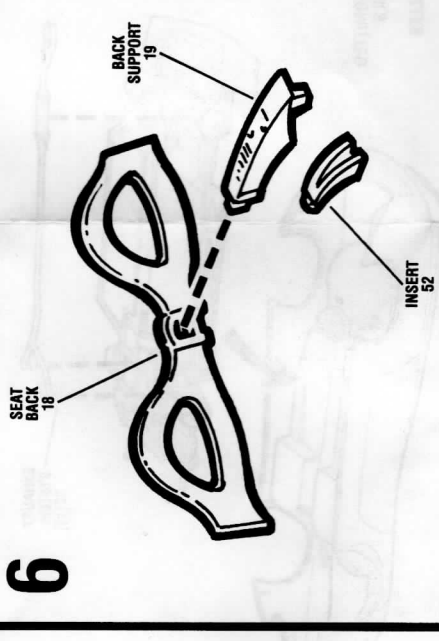
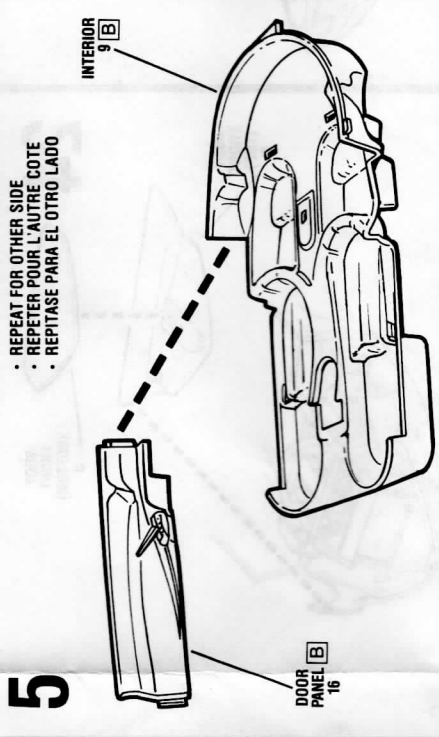
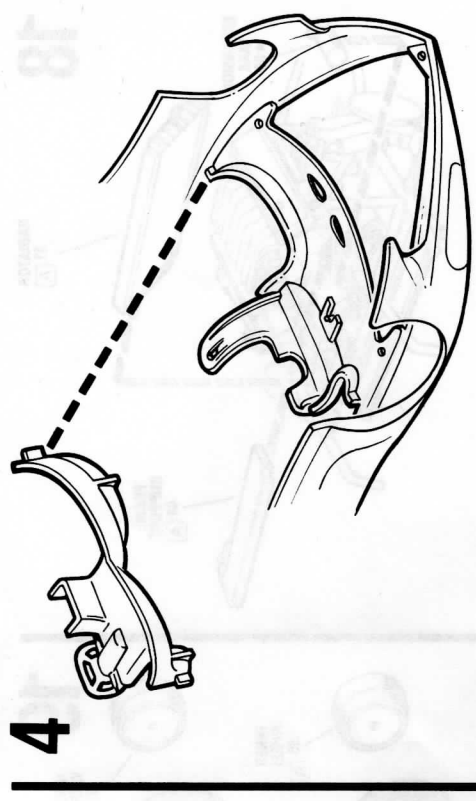
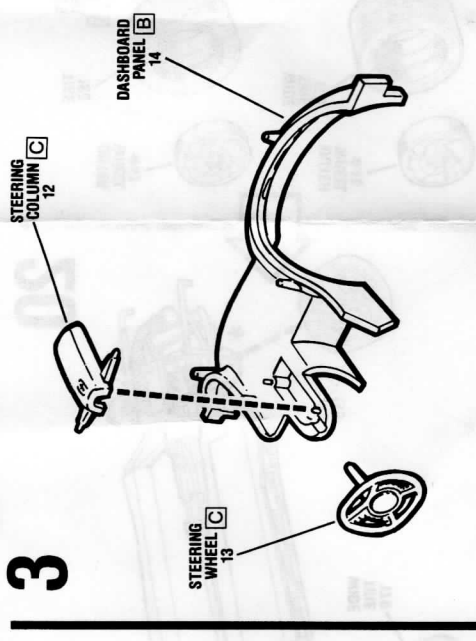
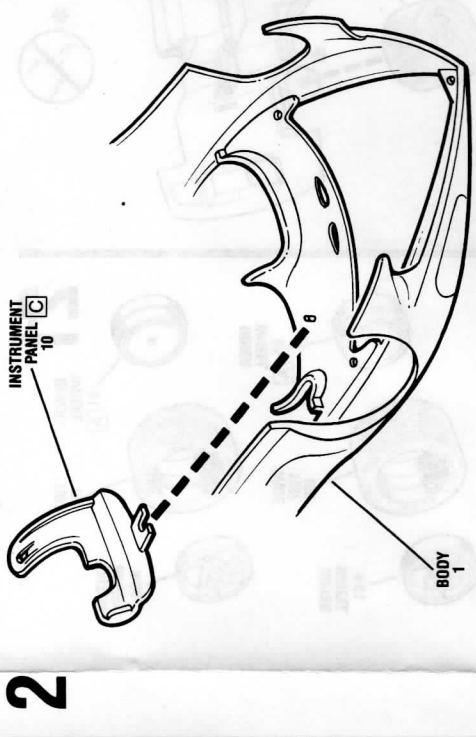
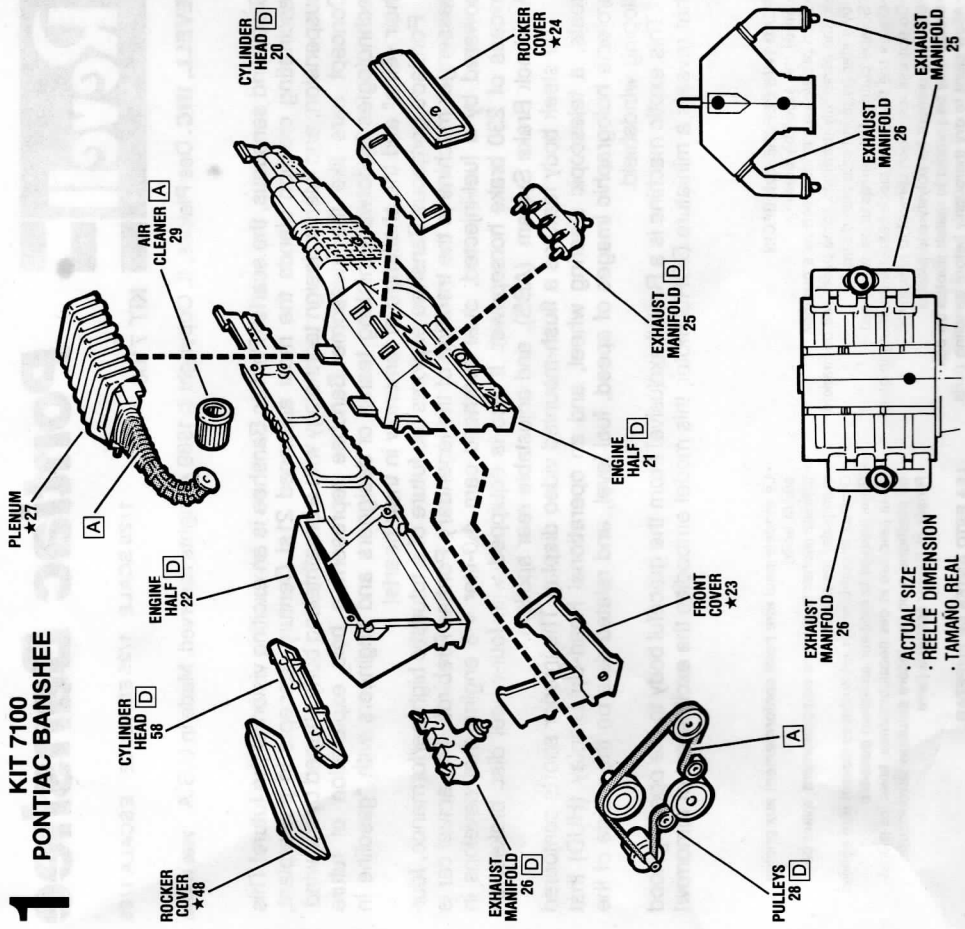
REMOVE AND THROW AWAY
À RETIRER ET JETER
QUITE Y TIRE



DECAL (DIP IN WATER)
DECALCOMANIE (À PLONGER DANS L'EAU)
DECALCOMANIA (MOJE CON AGUA)

| | | | |
|----------|-------------|-------------|-----------------|
| A | FLAT BLACK | NOIR TERNE | NEGRO APAGADO |
| B | LIGHT GRAY | GRIS CLAIR | GRIS CLARO |
| C | DARK GRAY | GRIS FONCE | GRIS OSCURO |
| D | ALUMINIUM | ALUMINIUM | ALUMINIO |
| E | RED | ROUGE | ROJO |
| F | GLOSS BLACK | NOIR LUSTRE | NEGRO BRILLANTE |

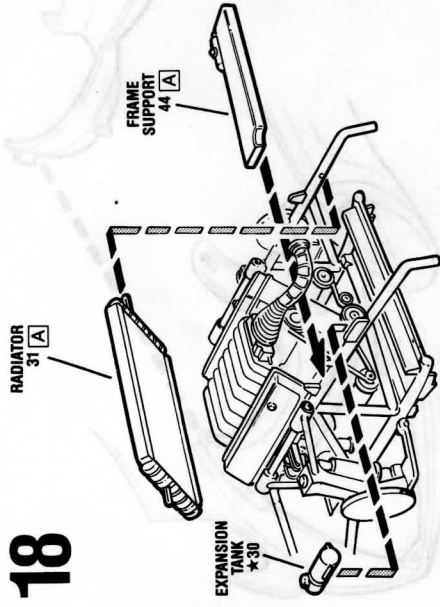
1 KIT 7100 PONTIAC BANSHEE



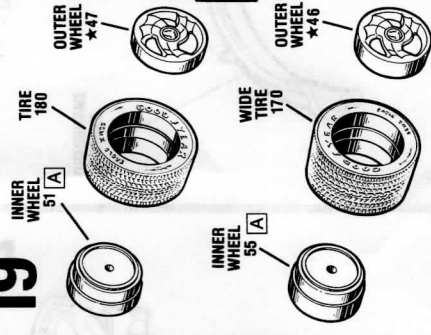
* REPEAT FOR OTHER SIDE
 * REPETER POUR L'AUTRE COTE
 * REPITASE PARA EL OTRO LADO

* REPEAT FOR OTHER SIDE
 * REPETER POUR L'AUTRE COTE
 * REPITASE PARA EL OTRO LADO

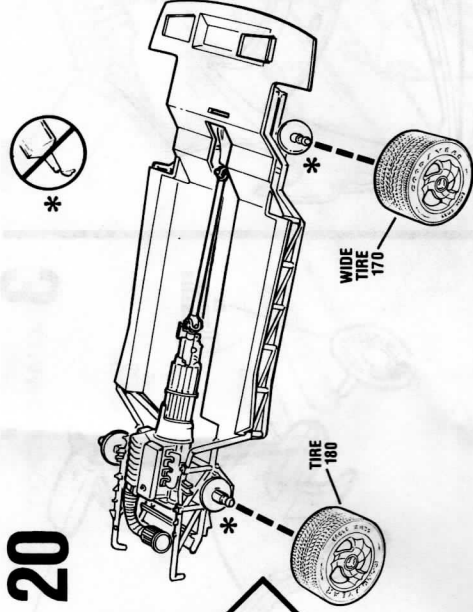
18



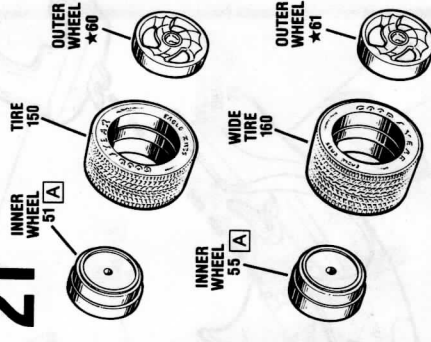
19



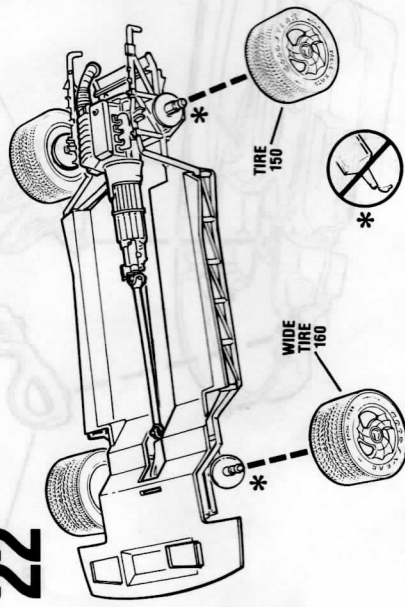
20



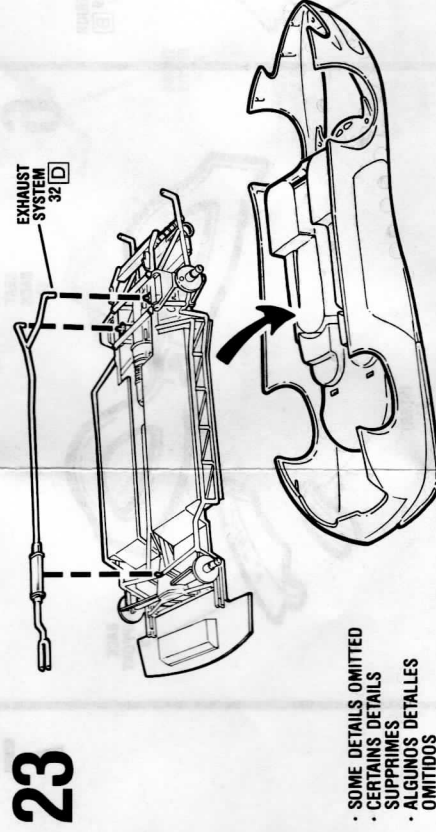
21



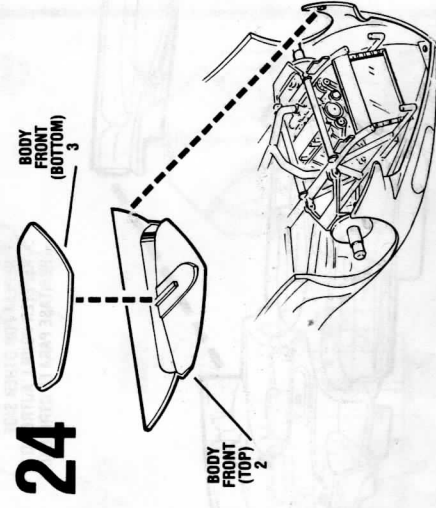
22



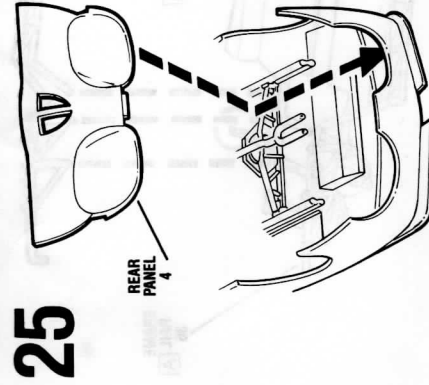
23



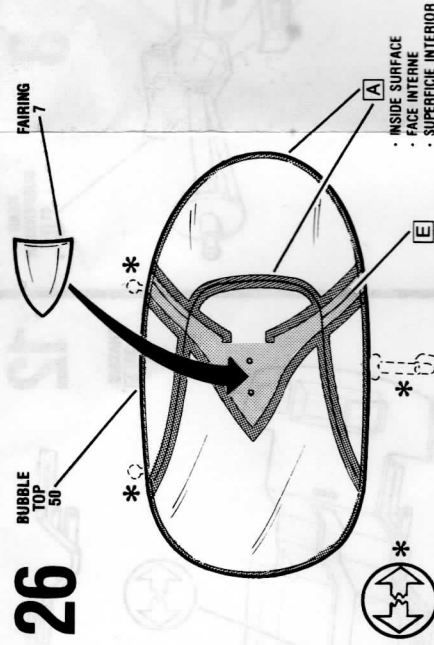
24



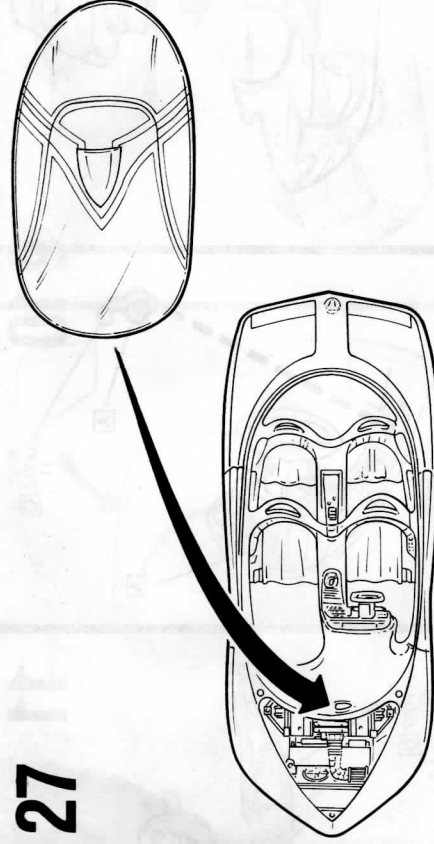
25



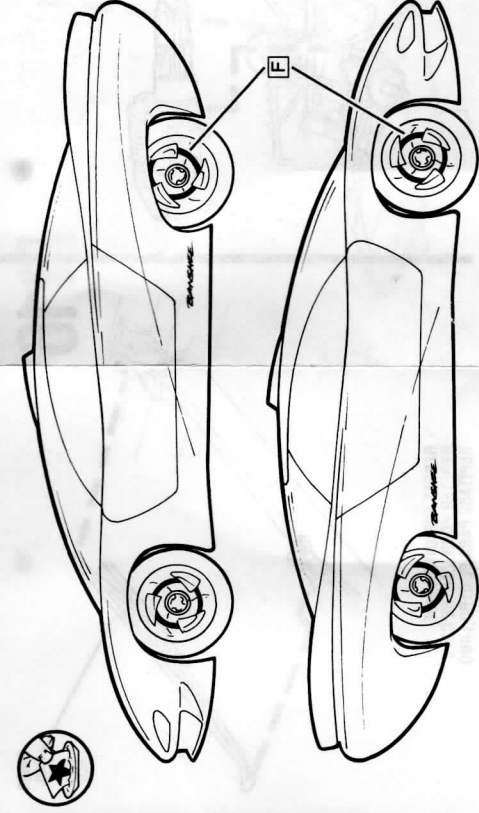
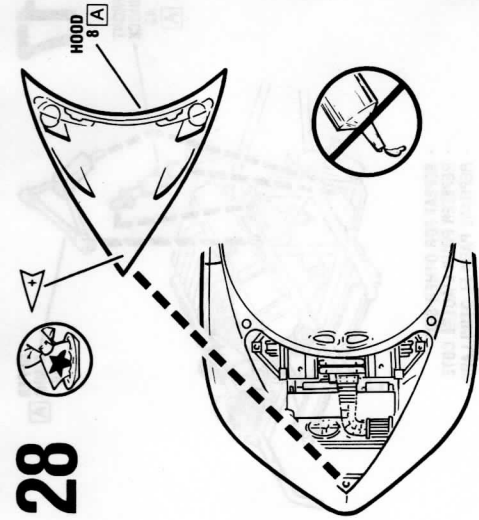
26



27



28



Revell, Incorporated has put forth every effort to create and manufacture the finest model kit available. If you have any problem with construction, or are missing a part, please dial 1-312-390-8910 and request Revell Customer Service. If you wish to write, please indicate the kit number, part number, and your return address, and send it to:

Revell, Incorporated
Customer Service Department
363 North Third Avenue
Des Plaines, Illinois
60016