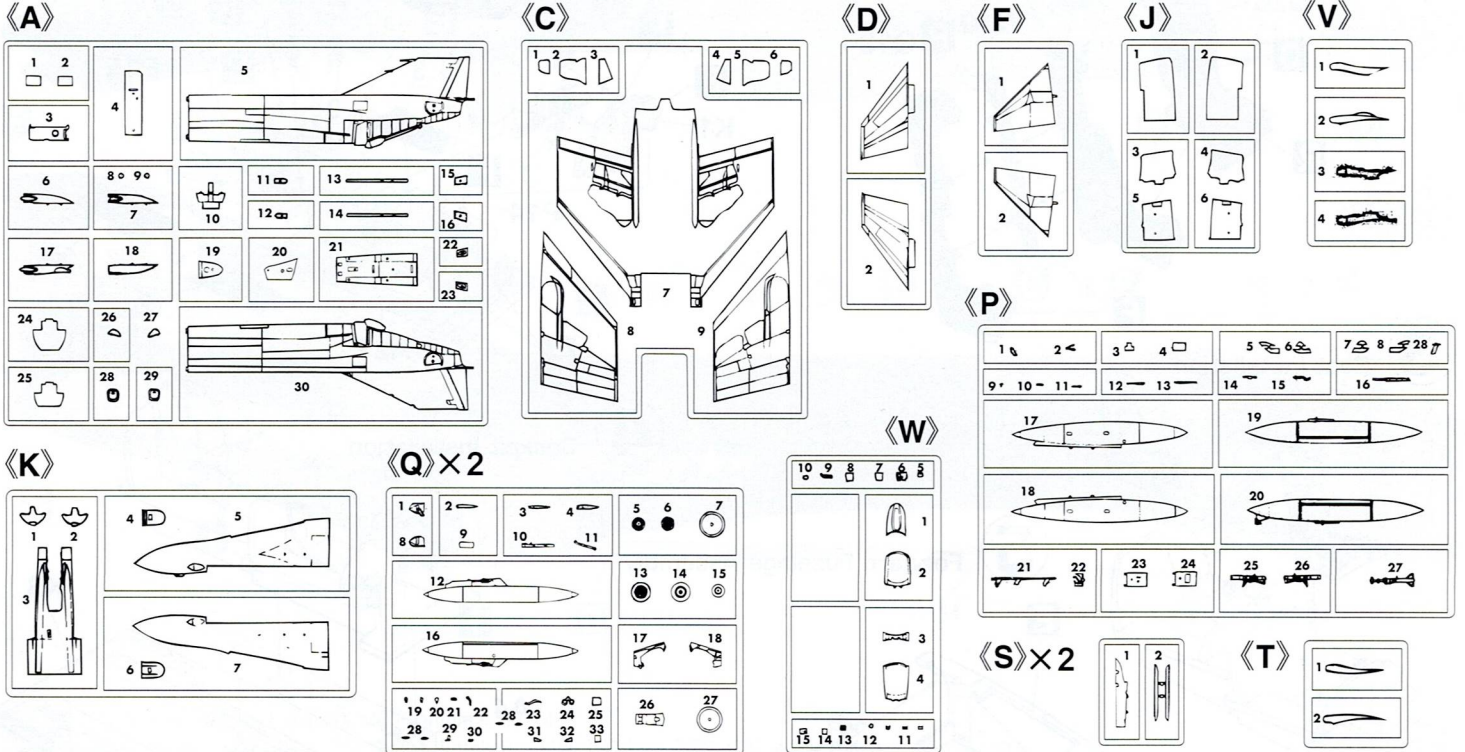


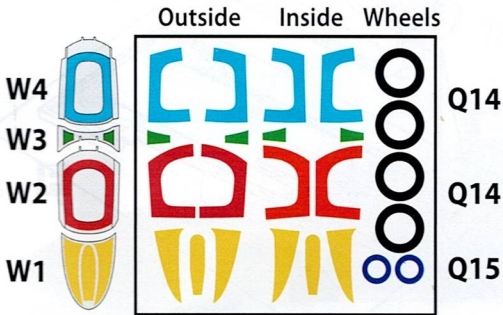


# Vietnam Aces: vol. 1

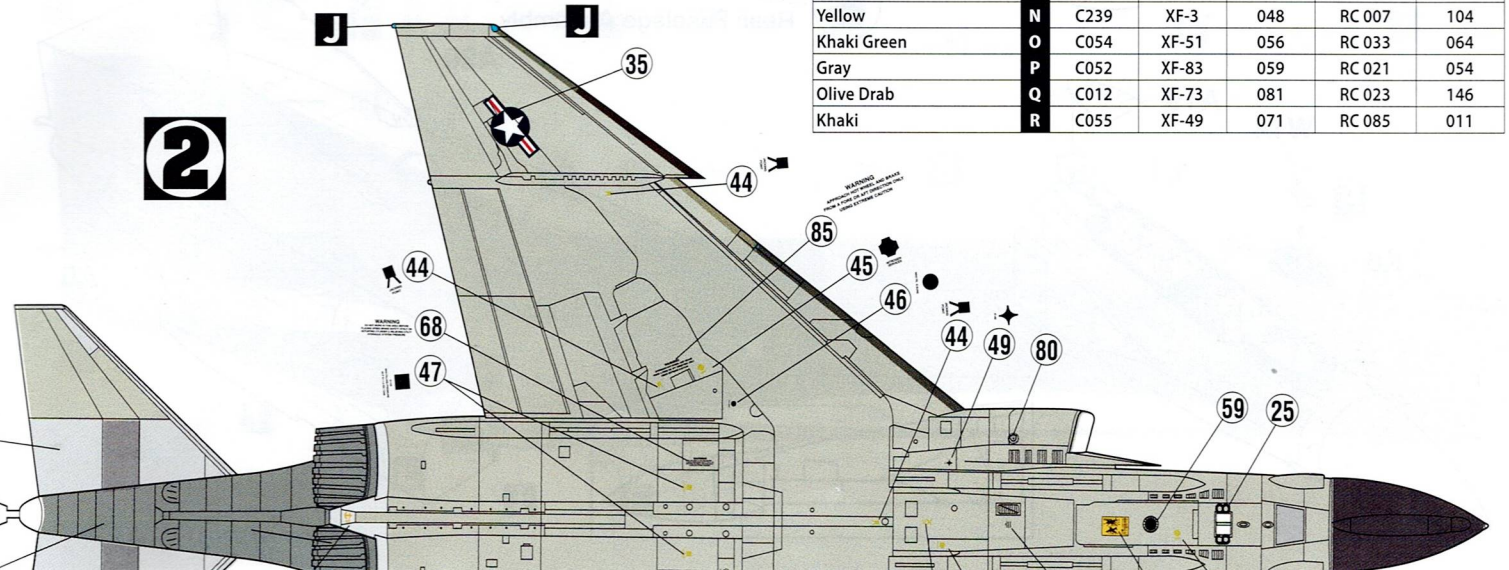
72027



## Painting Mask Set



Color Chart	Mr. COLOR	TAMIYA	AMMO	AK Interactive	HATAKA
FS34102 Green	A C303		004	RC 083	021
FS34079 Forest Green	B C309	XF-65	206	RC 027	016
FS30219 Dark Tan	C C310	XF-59	202	RC 225	012
FS36622 Gray	D C311	XF-53	226	RC 254	039
FS36231 Dark Gull Gray	E C317	XF-19	205	RC 247	044
Flat Black	F C033	XF-1	046	RC 001	100
Burnt Metal	G C061		187	AK-484	
Insignia White	H C316	X-2	047	RC 222	049
Silver	I C008	X-11	195		003
Clear Blue	J C050	X-23	098	RC 504	CC01
Clear Red	K C047	X-27	093	RC 503	CC02
Steel	L C028	XF-16	191	AK-476	
Red	M C327	XF-7	049	RC 005	103
Yellow	N C239	XF-3	048	RC 007	104
Khaki Green	O C054	XF-51	056	RC 033	064
Gray	P C052	XF-83	059	RC 021	054
Olive Drab	Q C012	XF-73	081	RC 023	146
Khaki	R C055	XF-49	071	RC 085	011





APPLY DECAL  
 APPLICARE DECALCOMANIE  
 HĚAR ABZIEHBILD  
 PONER CALCOMANIA  
 KALKOMANIA  
 APPLIQUER DECALCOMANIE  
 POUŽIJTE OBTISK



REMOVE  
 RETIRER  
 ENTFERNEN  
 CORTAR  
 ODCIĄĆ  
 RETIRER  
 ODSTRANIT

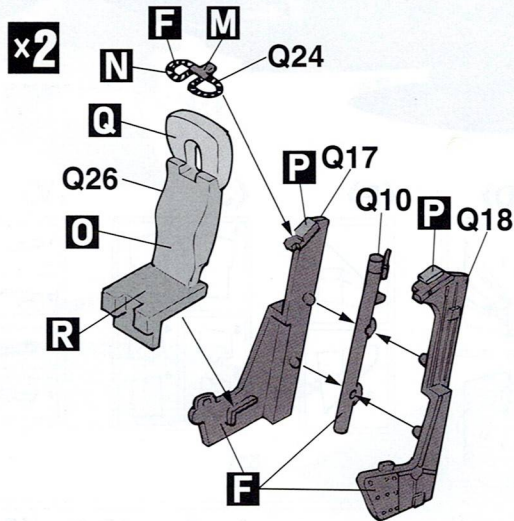


OPTION  
 FACULTATIF  
 NACH BELIEBEN  
 HACER AQUJERO  
 DO WYBORU  
 OPTION  
 VOLBA

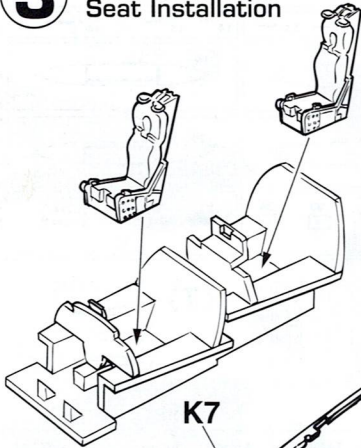


OPEN HOLE  
 FORO APERTO  
 OFFNEN  
 HACER AQUJERO  
 WYKONAC OTWÓR  
 FAIRE UN TROU  
 VYVRTAT OTVOR

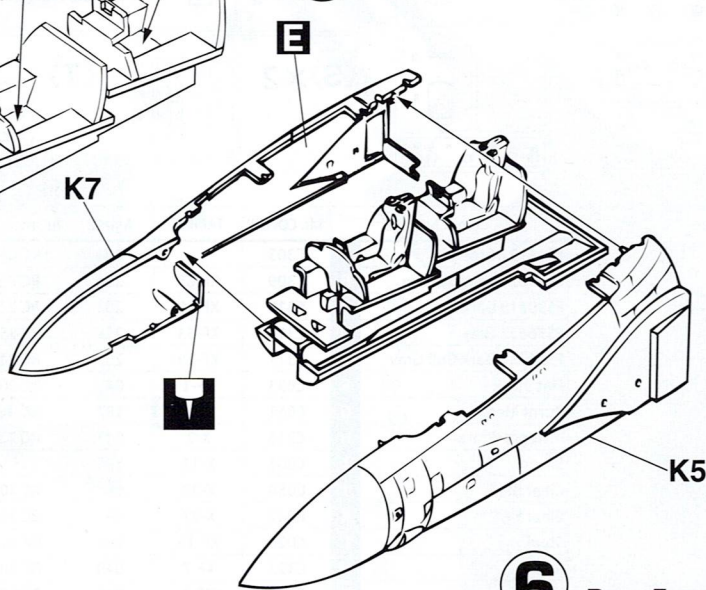
### 1 Pilot's Seat Assembly



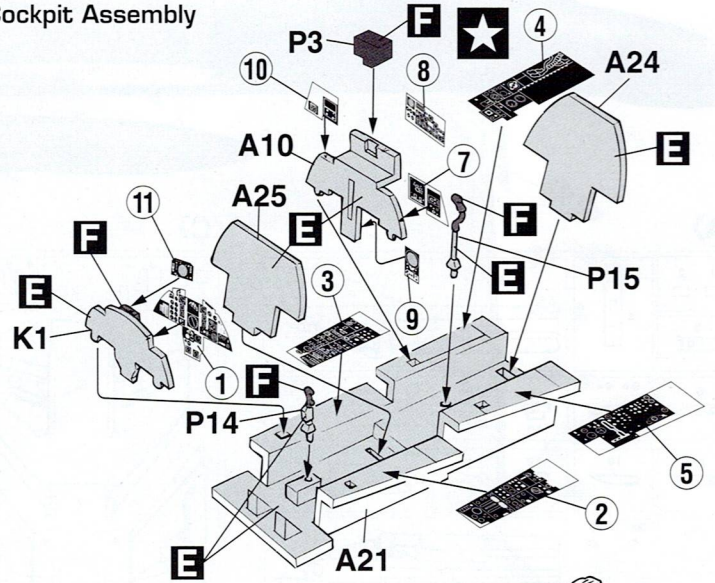
### 3 Seat Installation



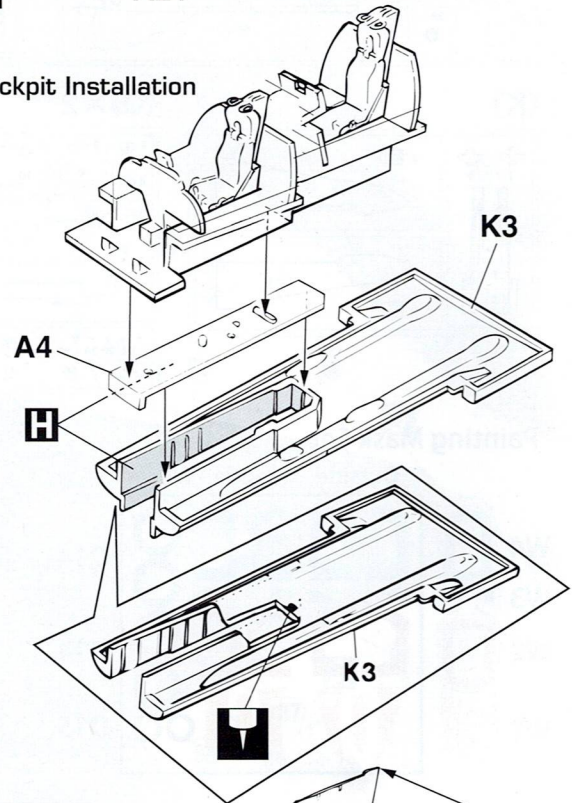
### 5 Forward Fuselage Assembly



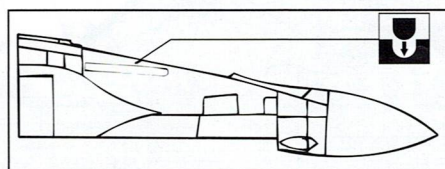
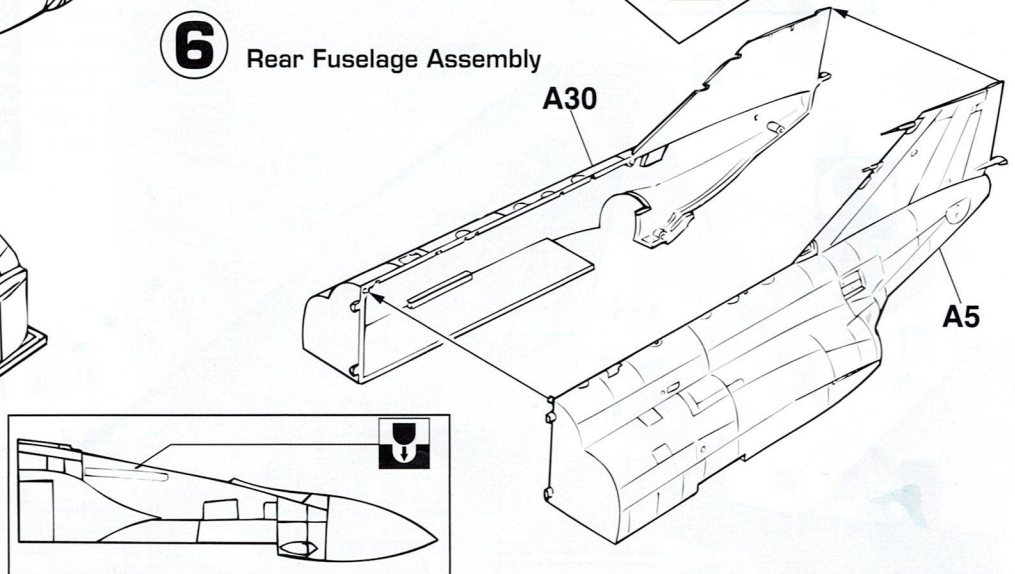
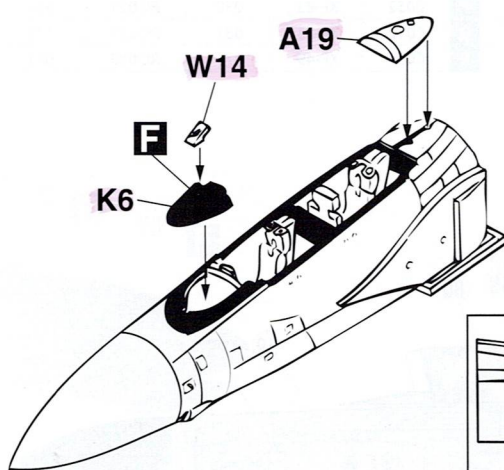
### 2 Cockpit Assembly



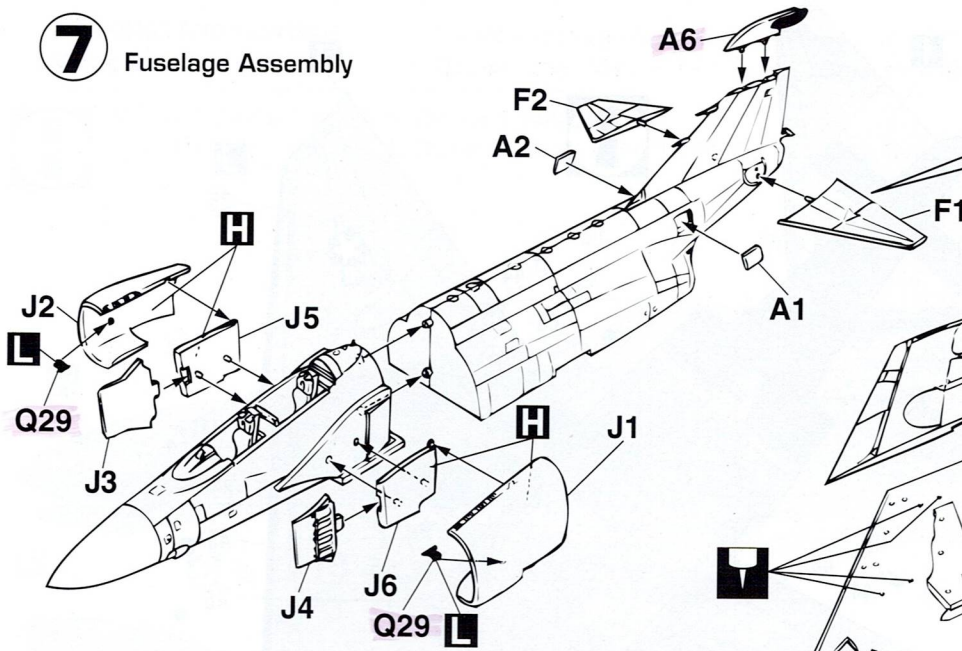
### 4 Cockpit Installation



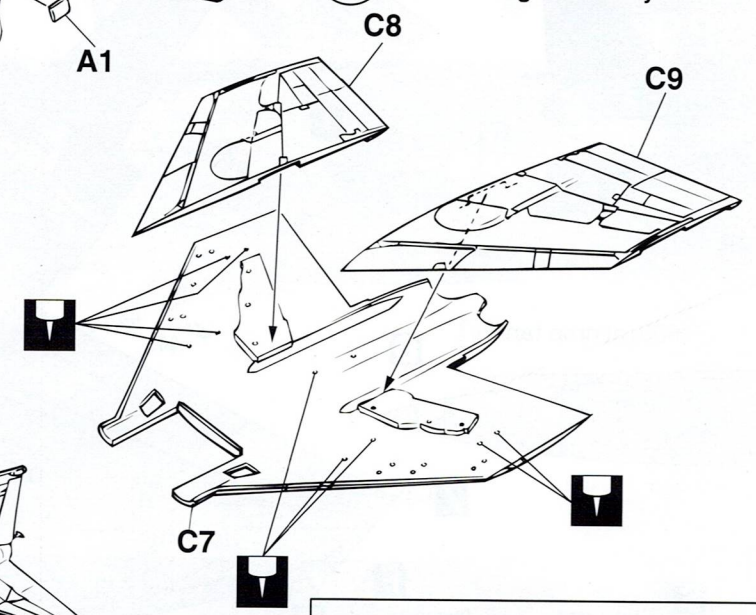
### 6 Rear Fuselage Assembly



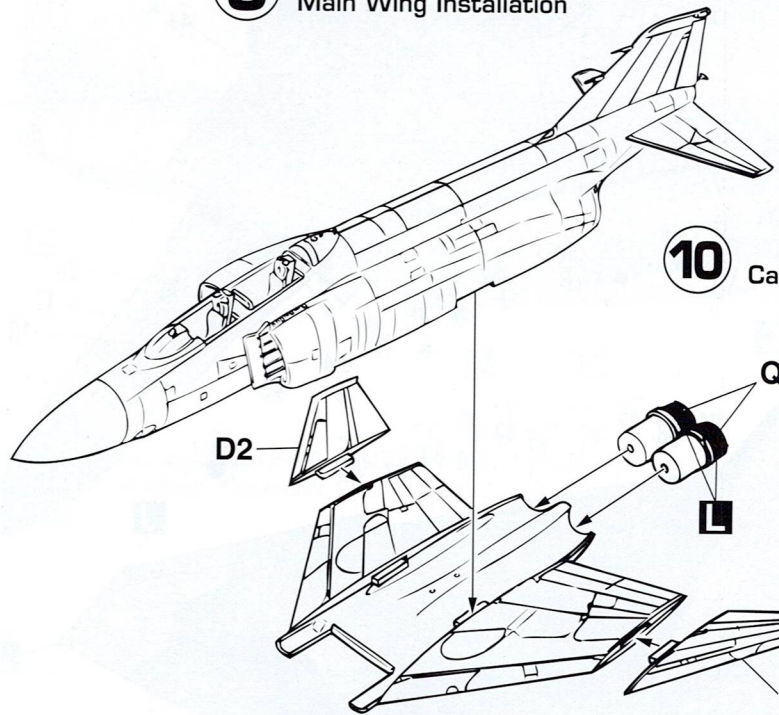
**7** Fuselage Assembly



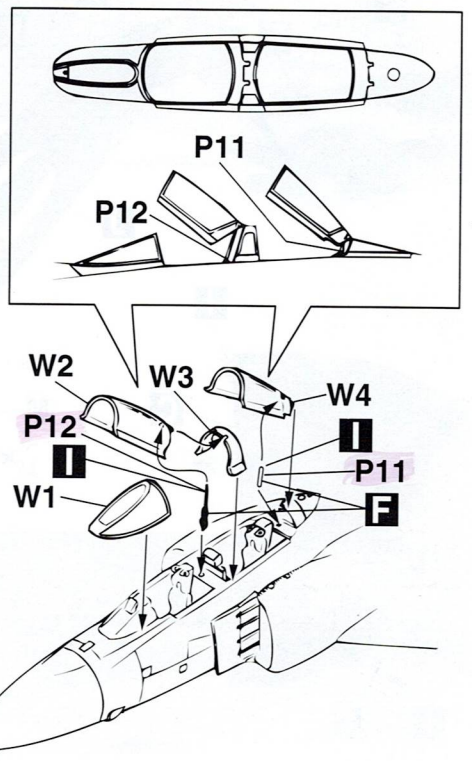
**8** Main Wing Assembly



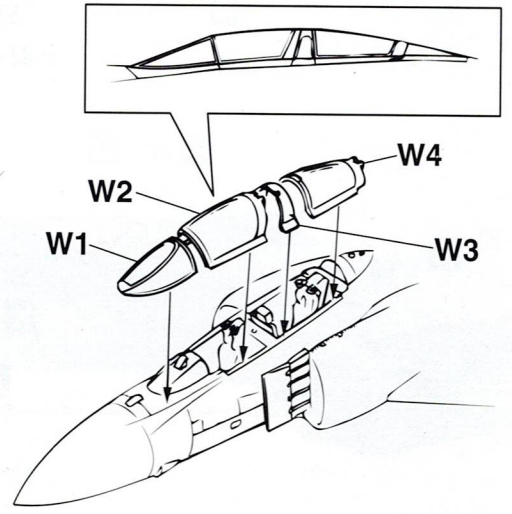
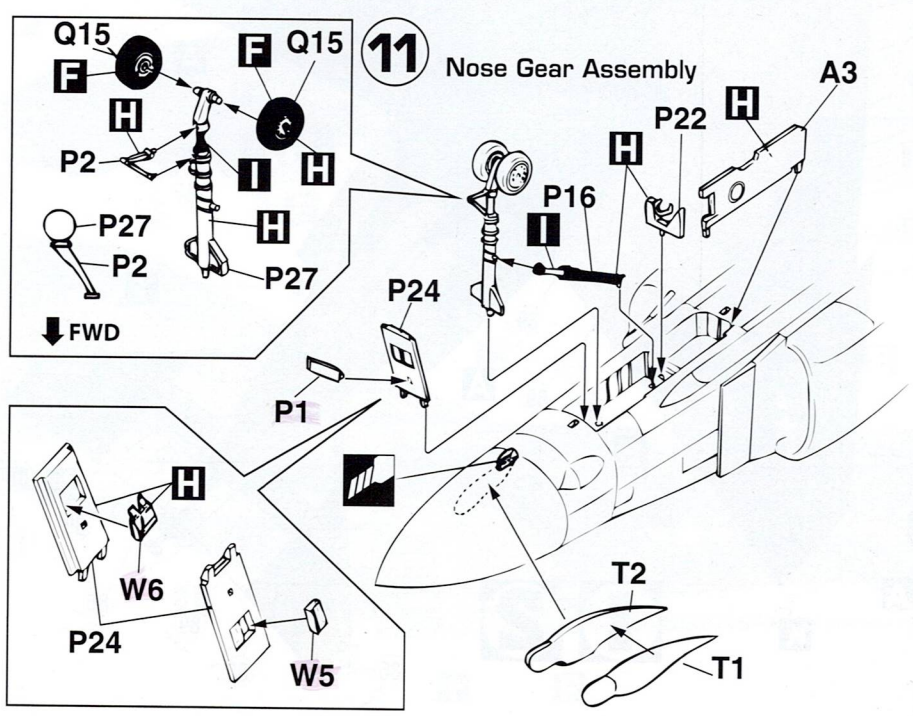
**9** Main Wing Installation



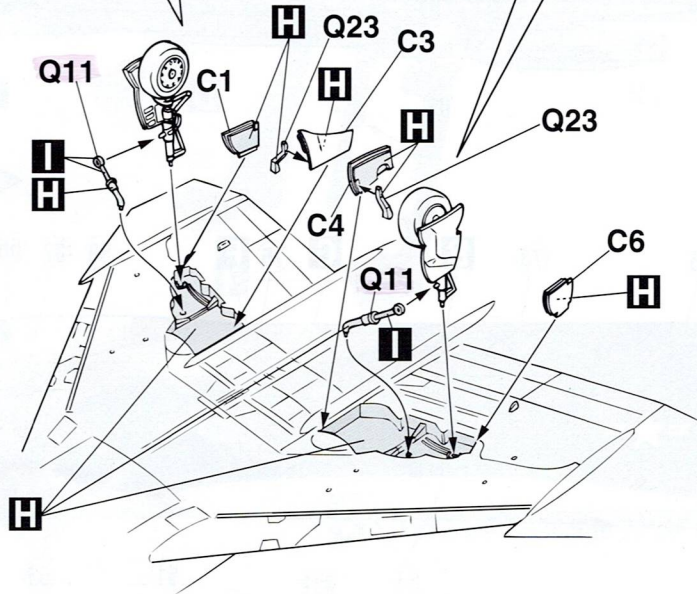
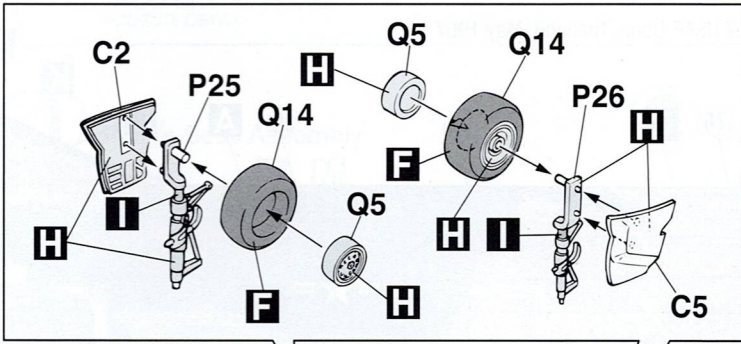
**10** Canopy Assembly



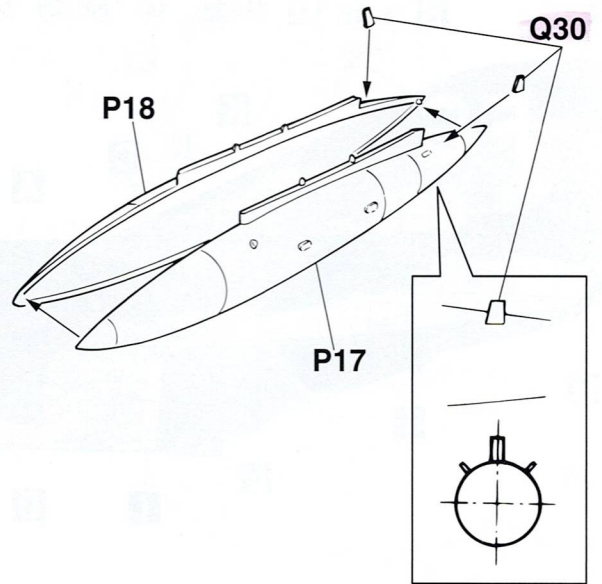
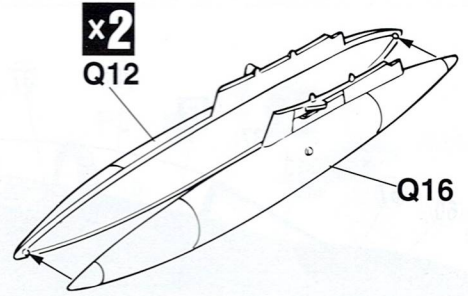
**11** Nose Gear Assembly



**12** Main Gear Assembly

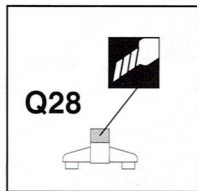
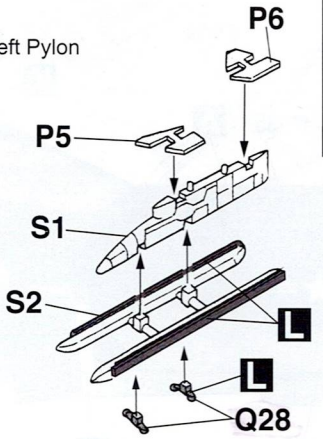


**13** Fuel Tank Assembly



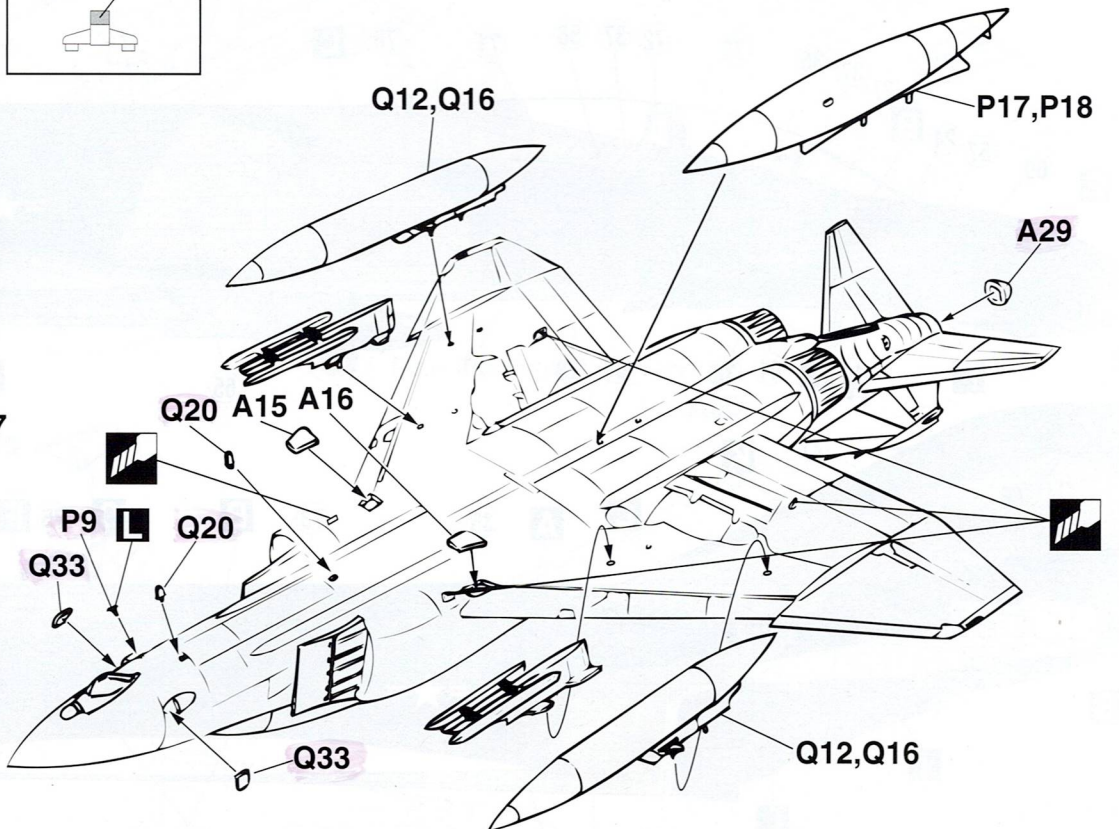
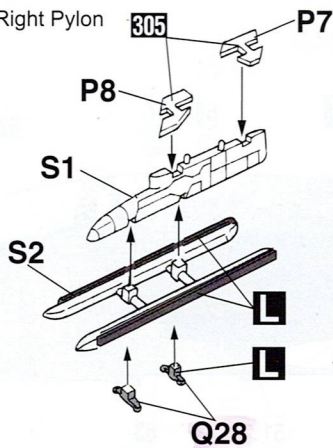
**14** Pylon Assembly

Left Pylon



**15** Final Assembly

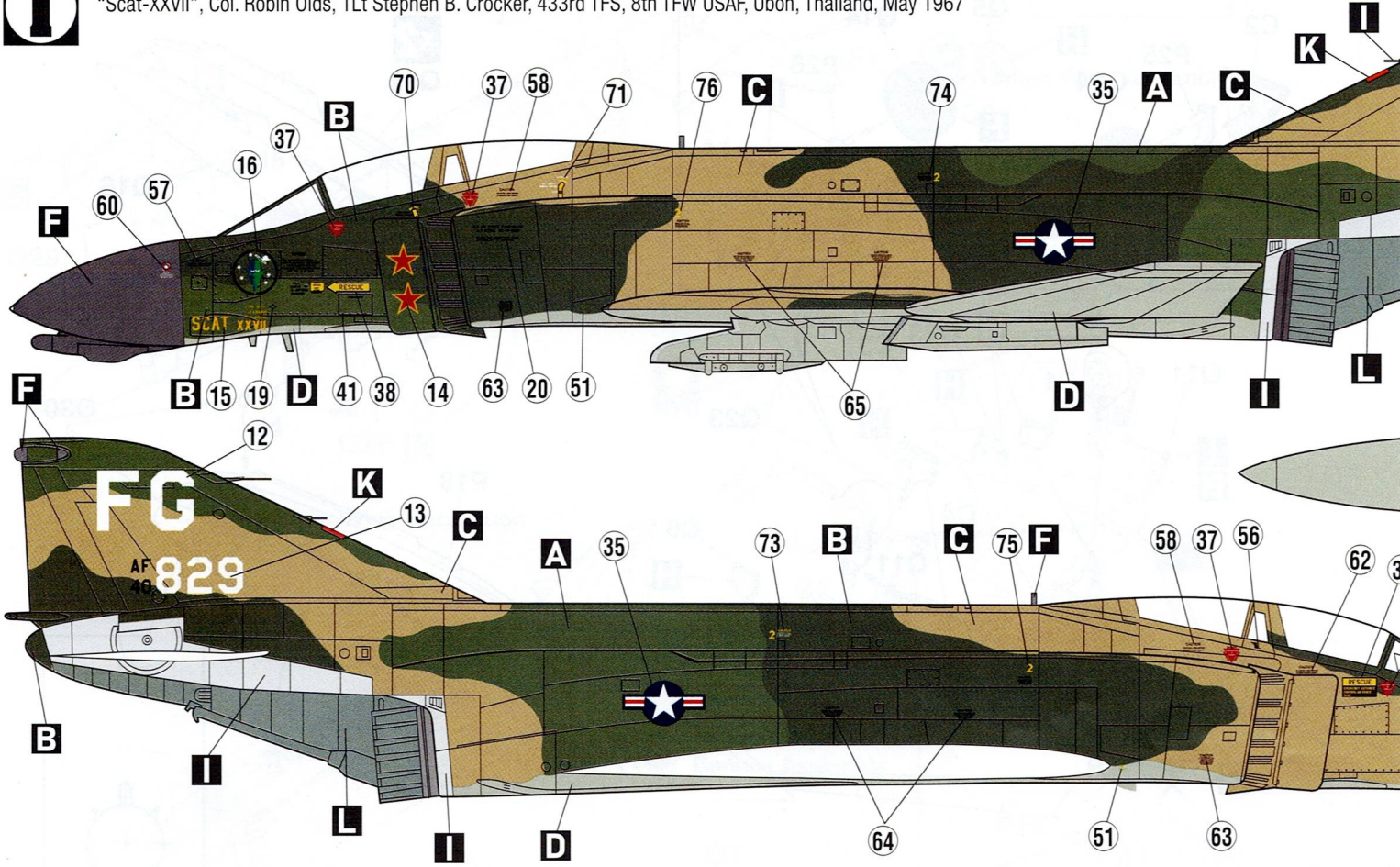
Right Pylon



**1**

McDonnell Douglas F-4-C-24-MC Phantom II, 64-0829

"Scat-XXVII", Col. Robin Olds, 1Lt Stephen B. Crocker, 433rd TFS, 8th TFW USAF, Ubon, Thailand, May 1967



**2**

McDonnell Douglas F-4-C-18-MC Phantom II, 63-7489

Capt. William J. Swendner, 1Lt. Duane Buttell Jr., 480th TFS 35th, TFW USAF, Korat, Thailand, 14 July 1966

