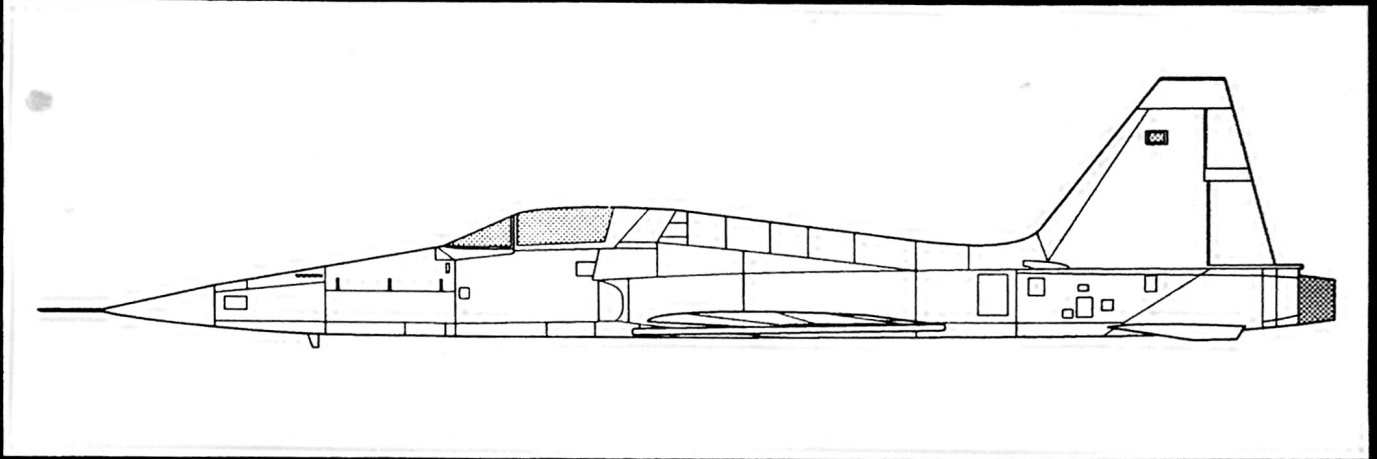




Classic Airframes



F-5A Freedom Fighter

The F-5 was developed largely as a result of the success achieved by the T-38 Talon trainer. Developed at a time when conventional fighters were growing in size and complexity, the diminutive F-5 was designed to provide for the license production by many of its clients under the Military Assistance Program. This in turn was in no small measure the reason for the successful export market for this aircraft.

It was used by the United States Air Force and no less than twenty-one different countries. It saw active combat service in Vietnam; F-5s flying more than 3,500 sorties during their evaluation in that theater.

Classic Airframes would like to thank the following individuals for their research and assistance to make this project a reality: Fotios Rouch, Jim Maas, Phil Hale, Kursad Albayraktaroglu, and Terry Higgins.

F-5A Specifications

Powerplant:	2x 4,080 Lb. GE J85-GE 13 turbojets	Armament:	2x 20mm M-29 cannon 2x Sidewinder AAMs Variety of underwing bomb/missile stores
Wing Span:	25'3"		
Length:	47'2"		
Maximum Speed:	924 mph @ 36,000'		

This model kit is intended for experienced modelers. The nature of limited-run kits such as this require additional time and effort to clean up and fit the parts, as well as experience with the various media utilized to provide the most accurate effect on the finished model. Use CyA ('super') glue to assemble Resin (PU) parts.

Classic Airframes
P.O. Box 577580 Chicago, IL 60657-7580 USA

Assembly Instruction Symbols



Paint Reference Guide

A Light Grey

C Aluminum

E Deep Red

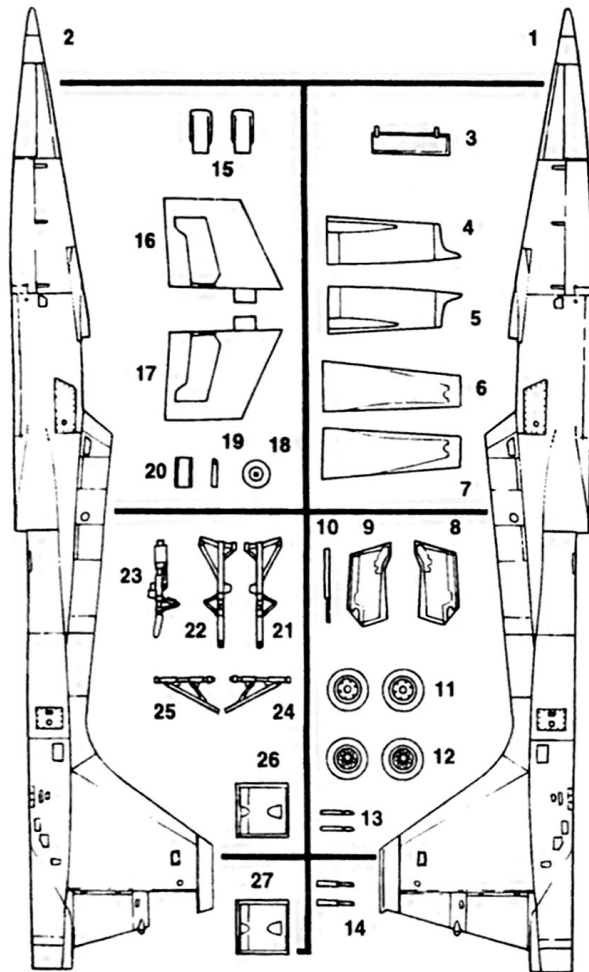
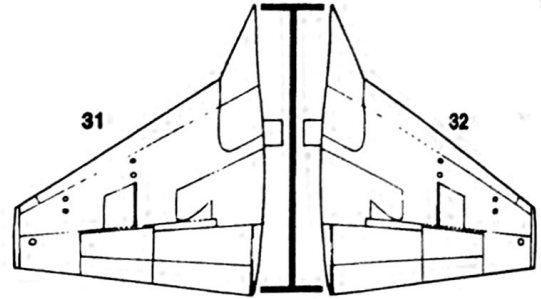
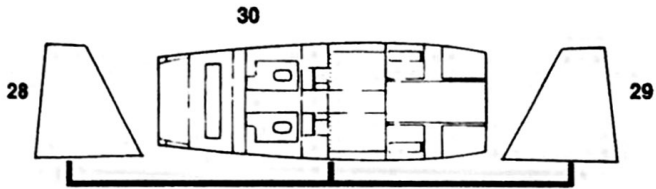
B Flat Black-grey

D Burnt Metal

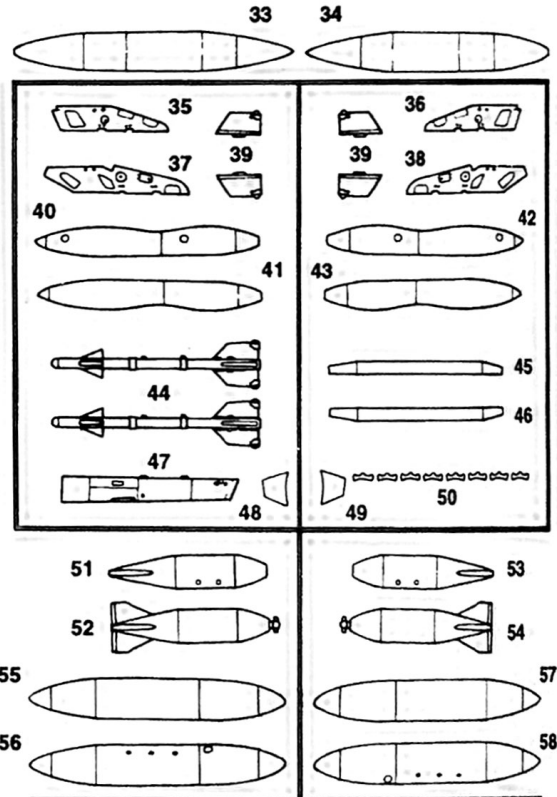
F Gunmetal

Parts

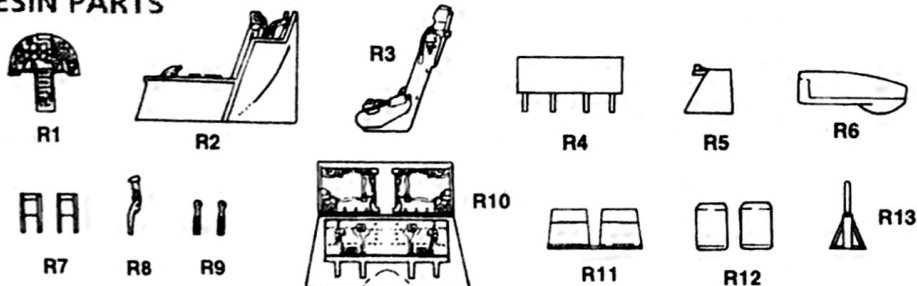
PLASTIC PARTS



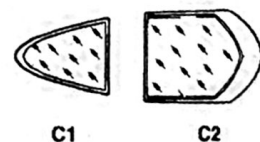
Due to the wide variety of stores and configurations of the F-5, please note that not all parts shown are included in all releases. Consult your references and refer to Steps 10, 11, 12 and 13 before starting construction.



RESIN PARTS

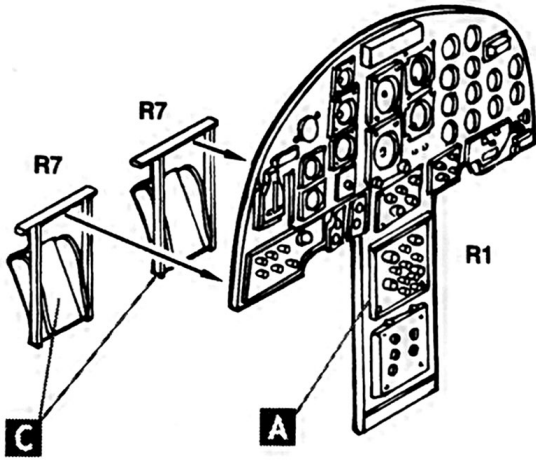


CLEAR PARTS



1

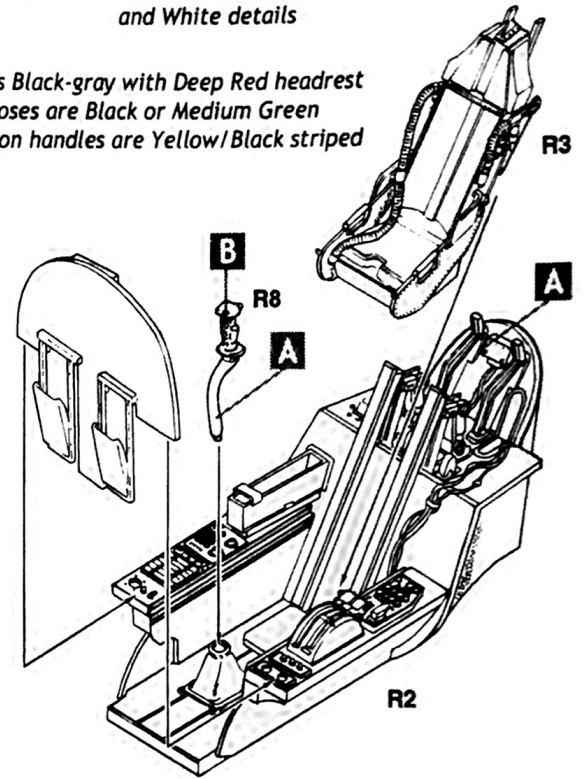
Instrument panel is Flat Black with Silver and White details



2

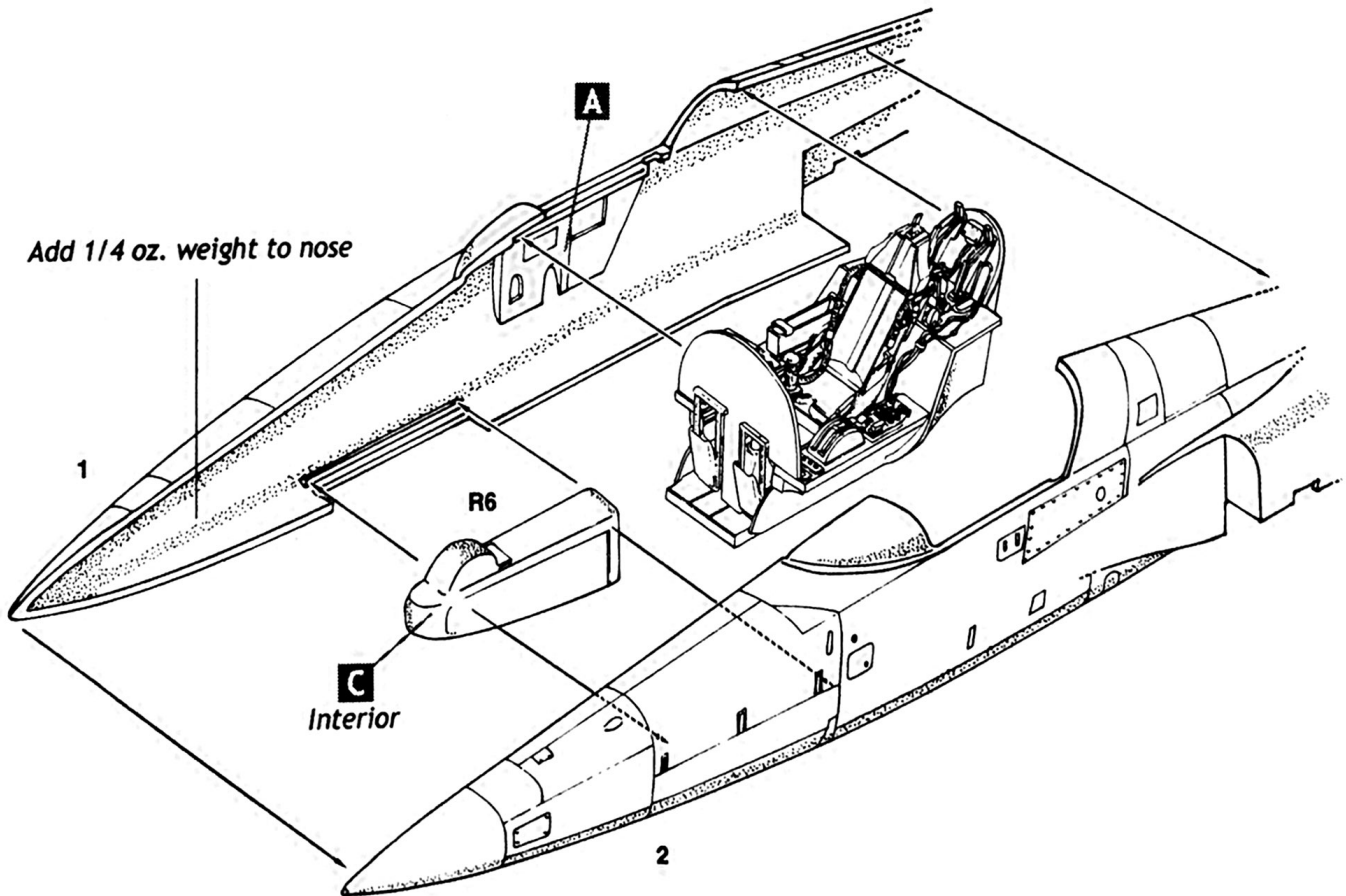
Side consoles are Flat Black with Silver and White details

Seat is Black-gray with Deep Red headrest
Hoses are Black or Medium Green
Ejection handles are Yellow/Black striped

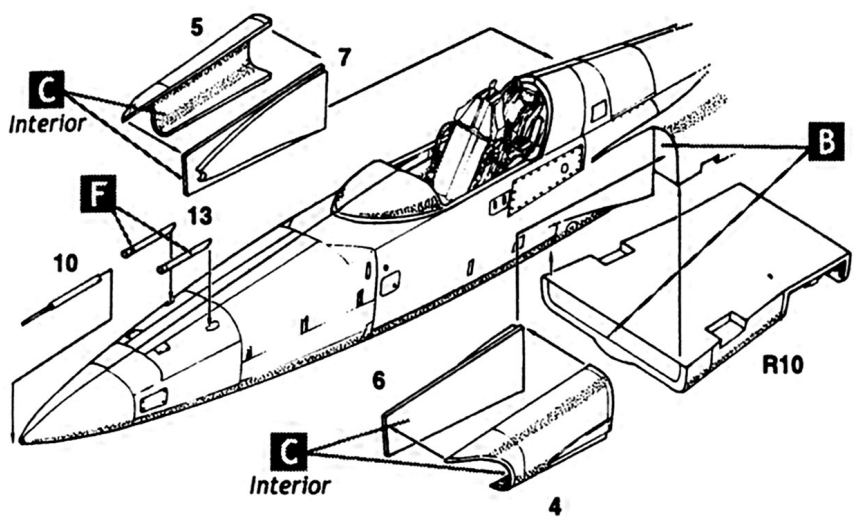


3

Be sure to dry-fit and check alignment of all parts during assembly.

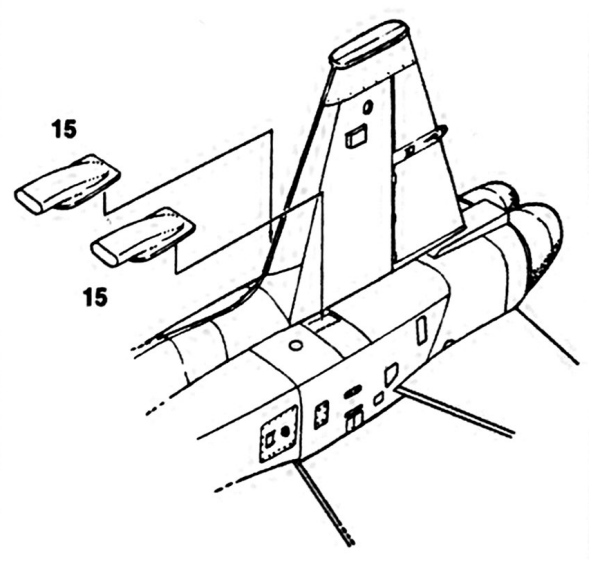


4

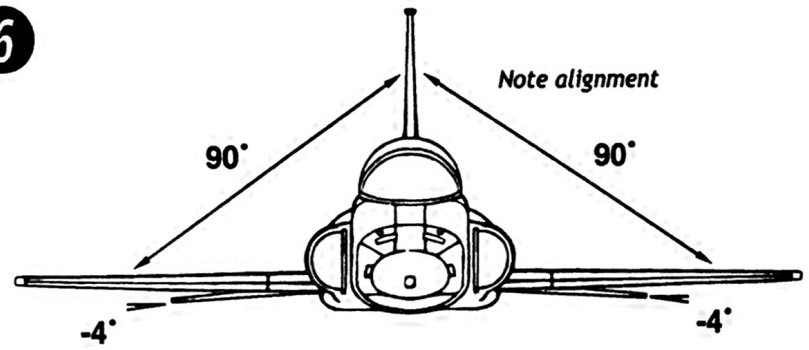


Due to the delicate nature of the Pitot Tube (Part 10)
you may elect to attach it at the end of assembly

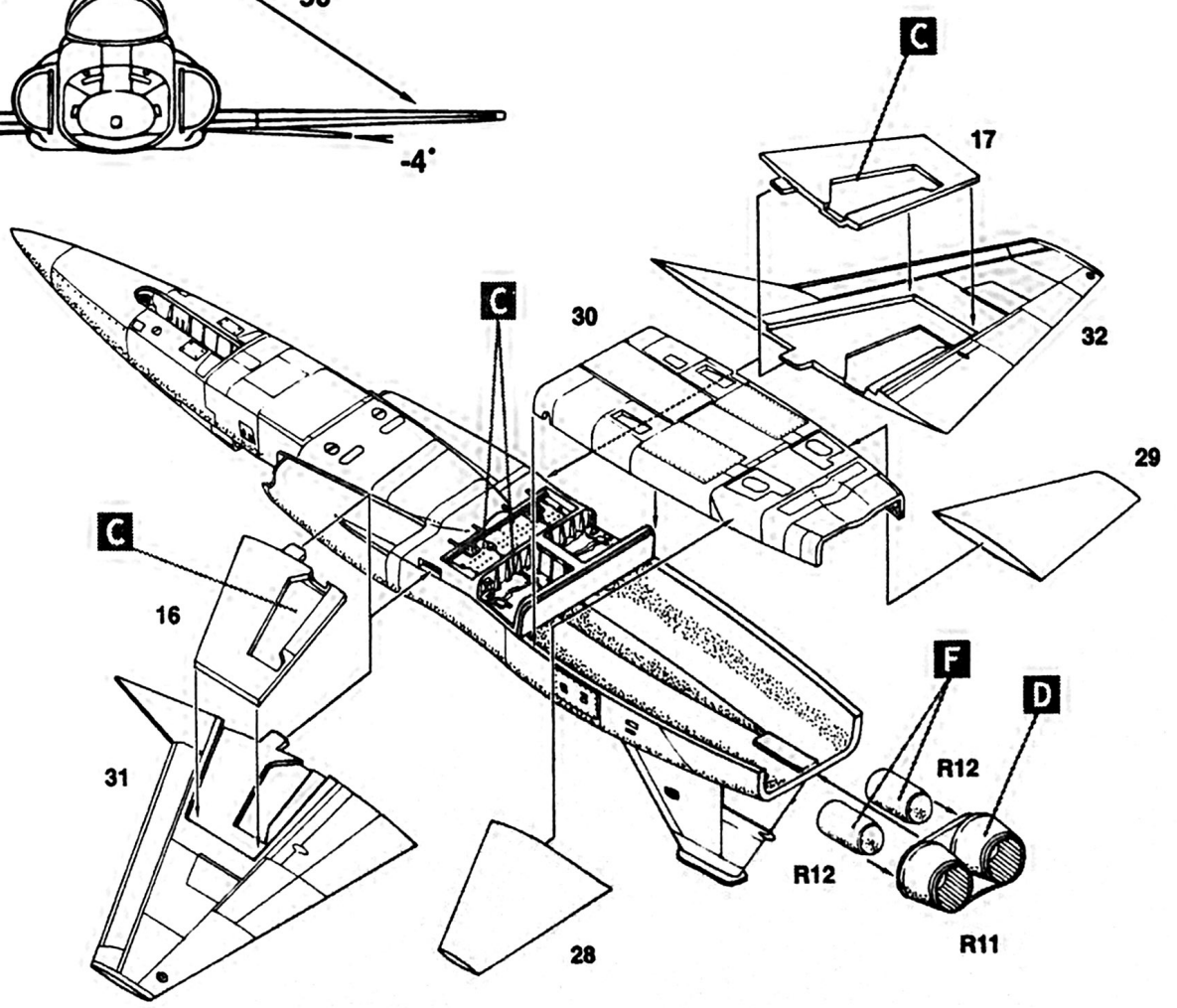
5

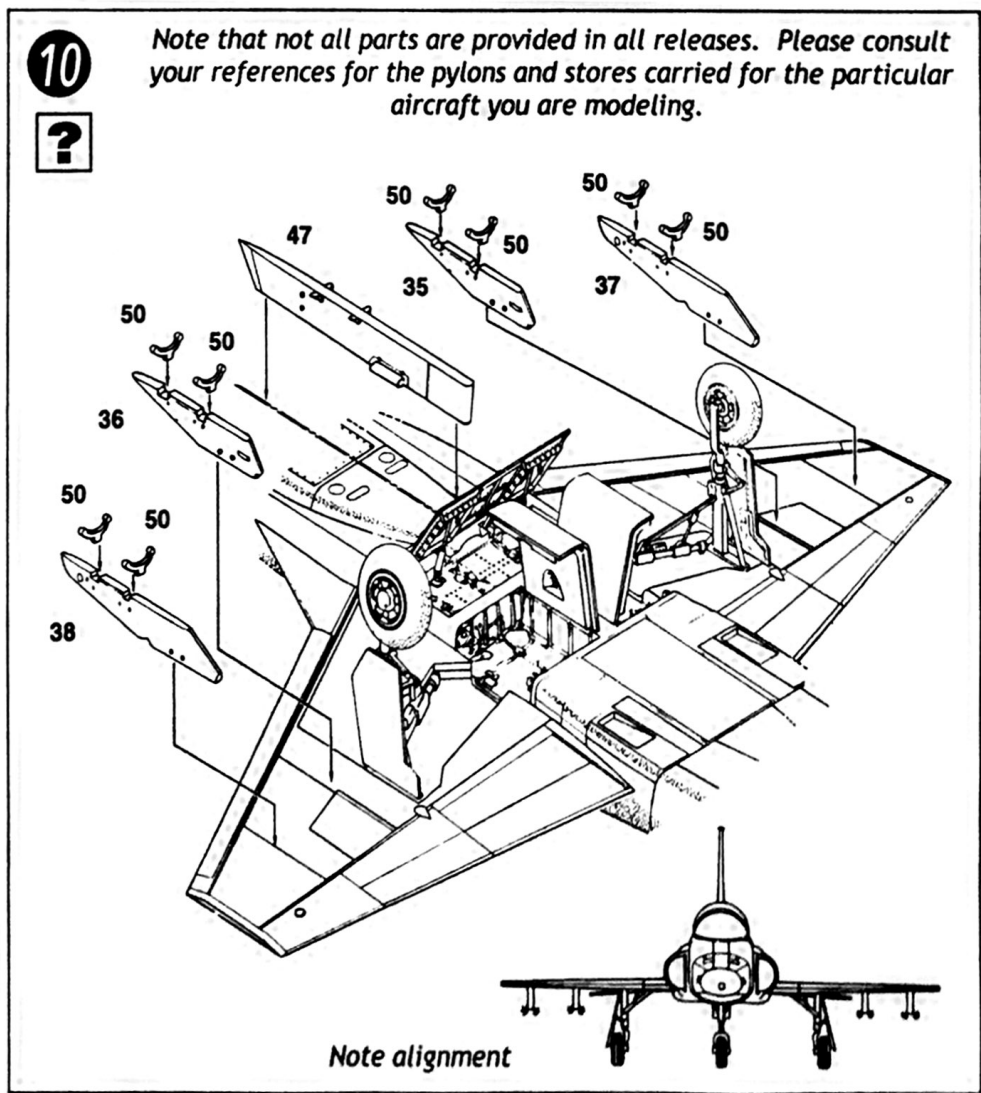
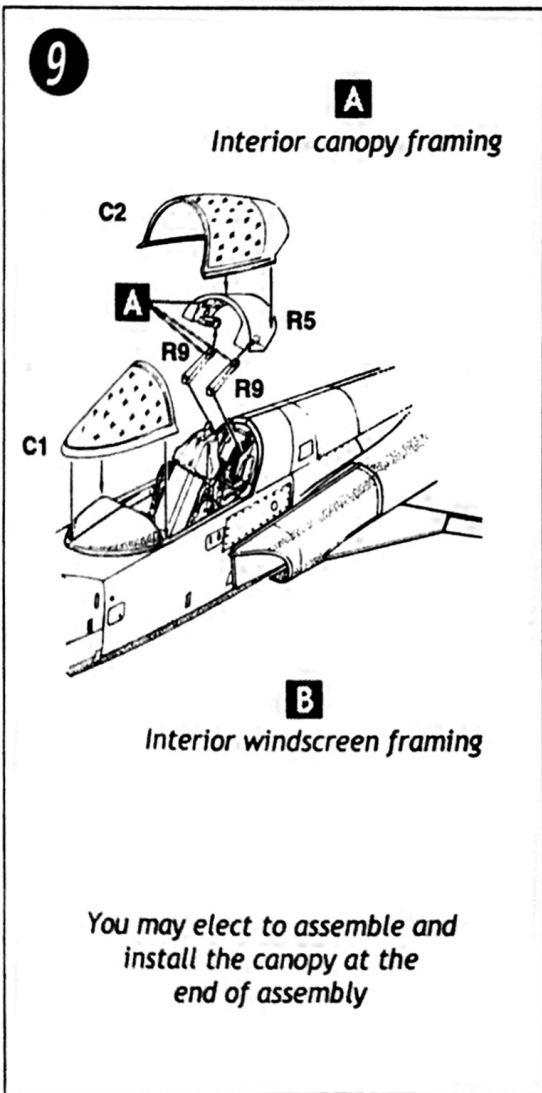
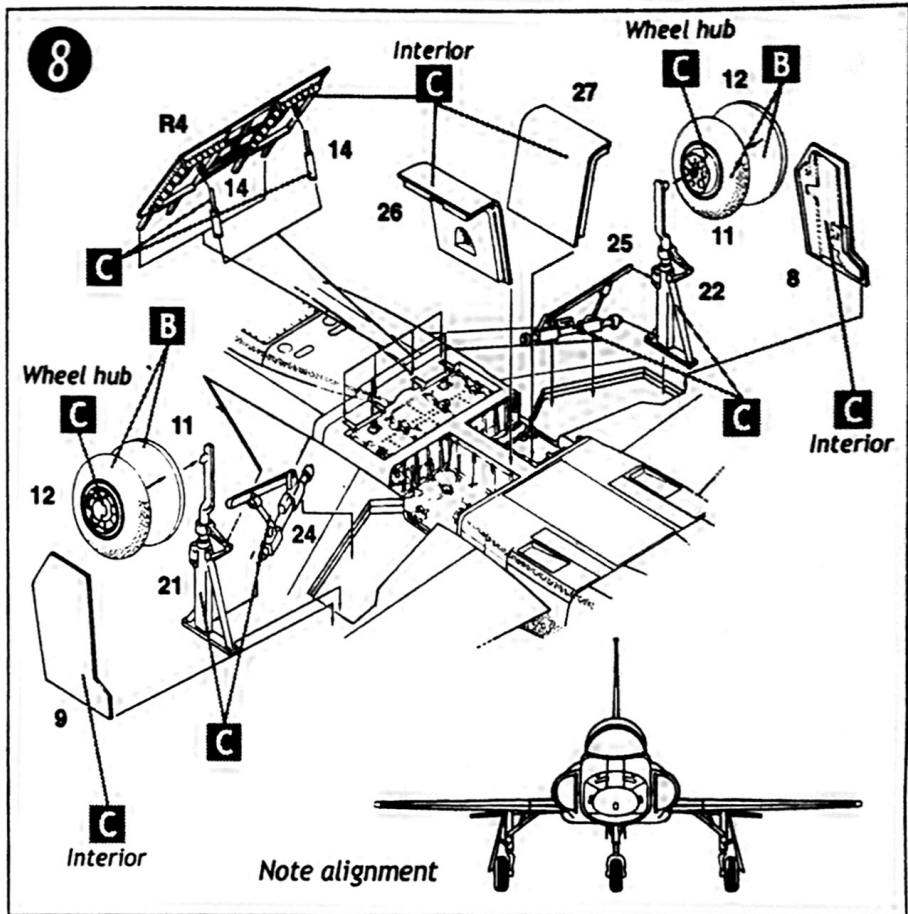
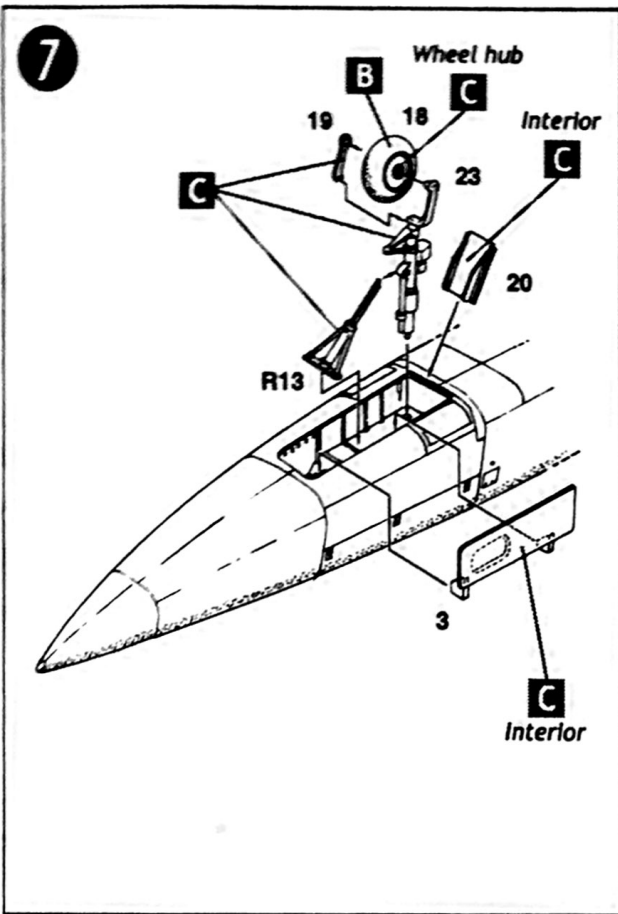


6

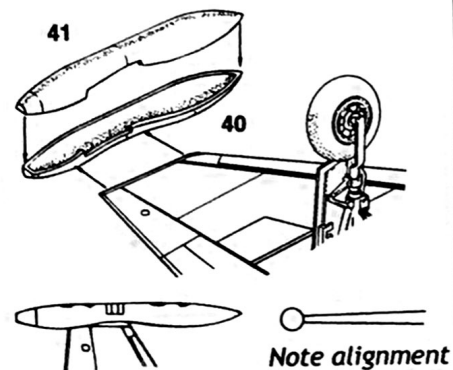
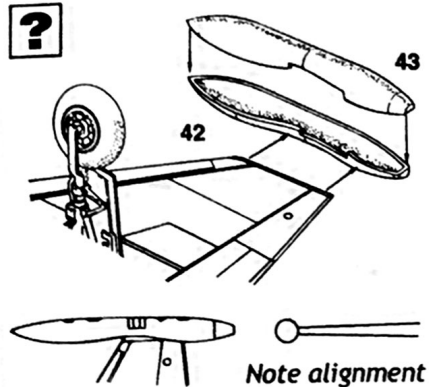


Note stabilizers have
-4° anhedral

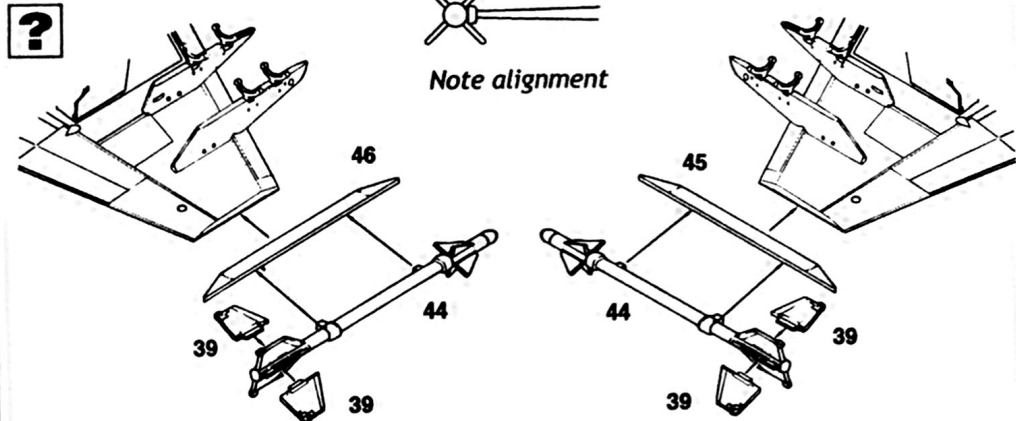




11 Wingtip tanks (See Step 12 for optional Sidewinder rails)



12 Sidewinder missiles



NOTE

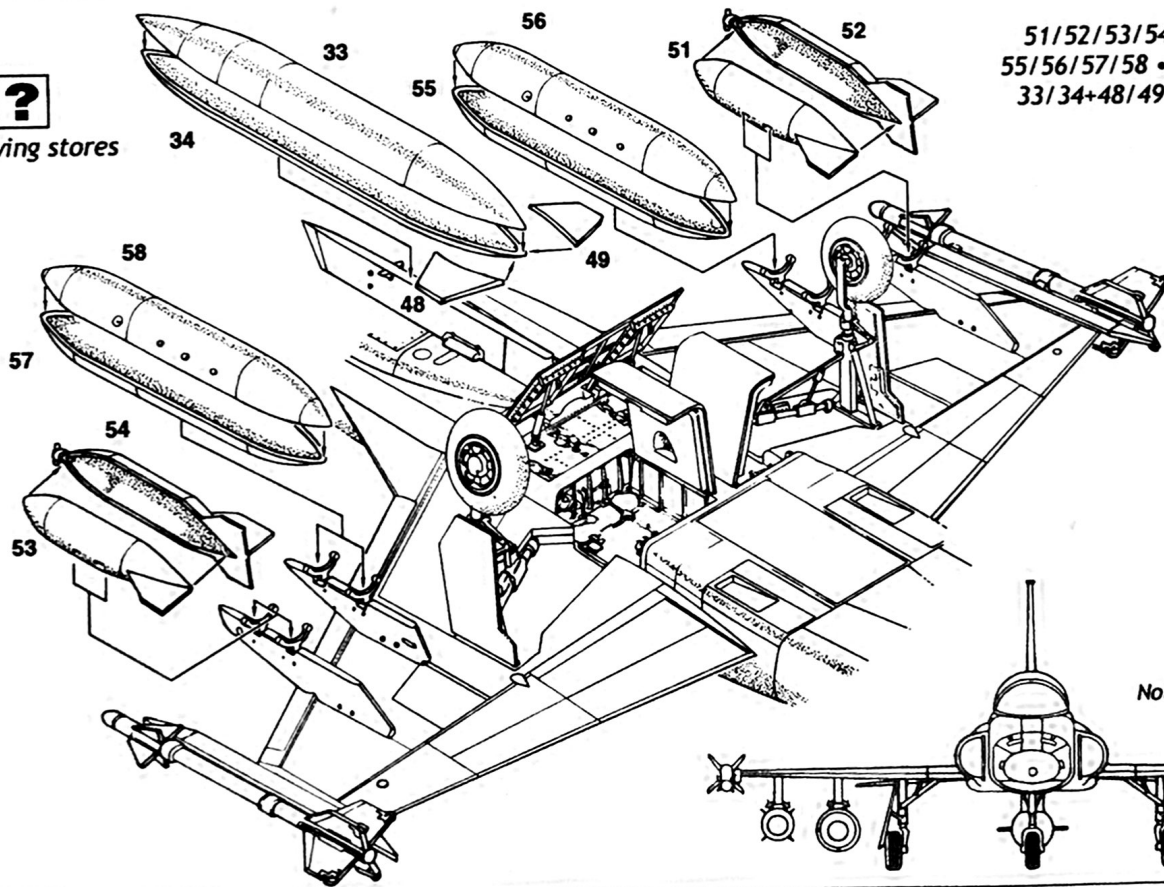
Because the F-5 series flew in so many configurations, the different releases of this kit will feature different provisions of underwing stores and weapons.

It is advised to check your references for the particular aircraft you are modeling in order to replicate an accurate configuration.

13

?

Underwing stores

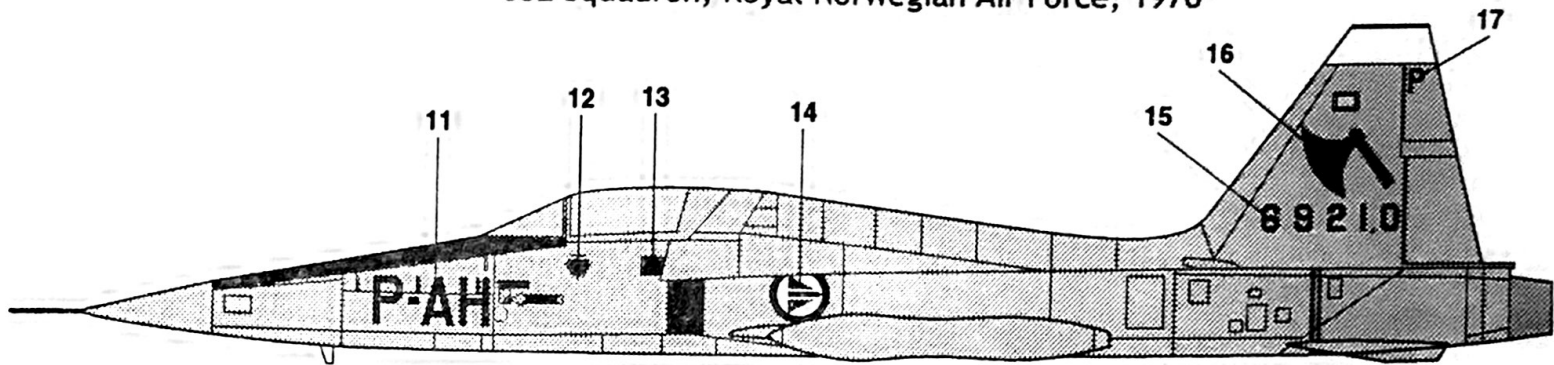


51/52/53/54 • GP Bomb
55/56/57/58 • Napalm Tank
33/34+48/49 • Drop Tank

Note alignment

F-5A Freedom Fighter *PAINING & MARKING GUIDE*

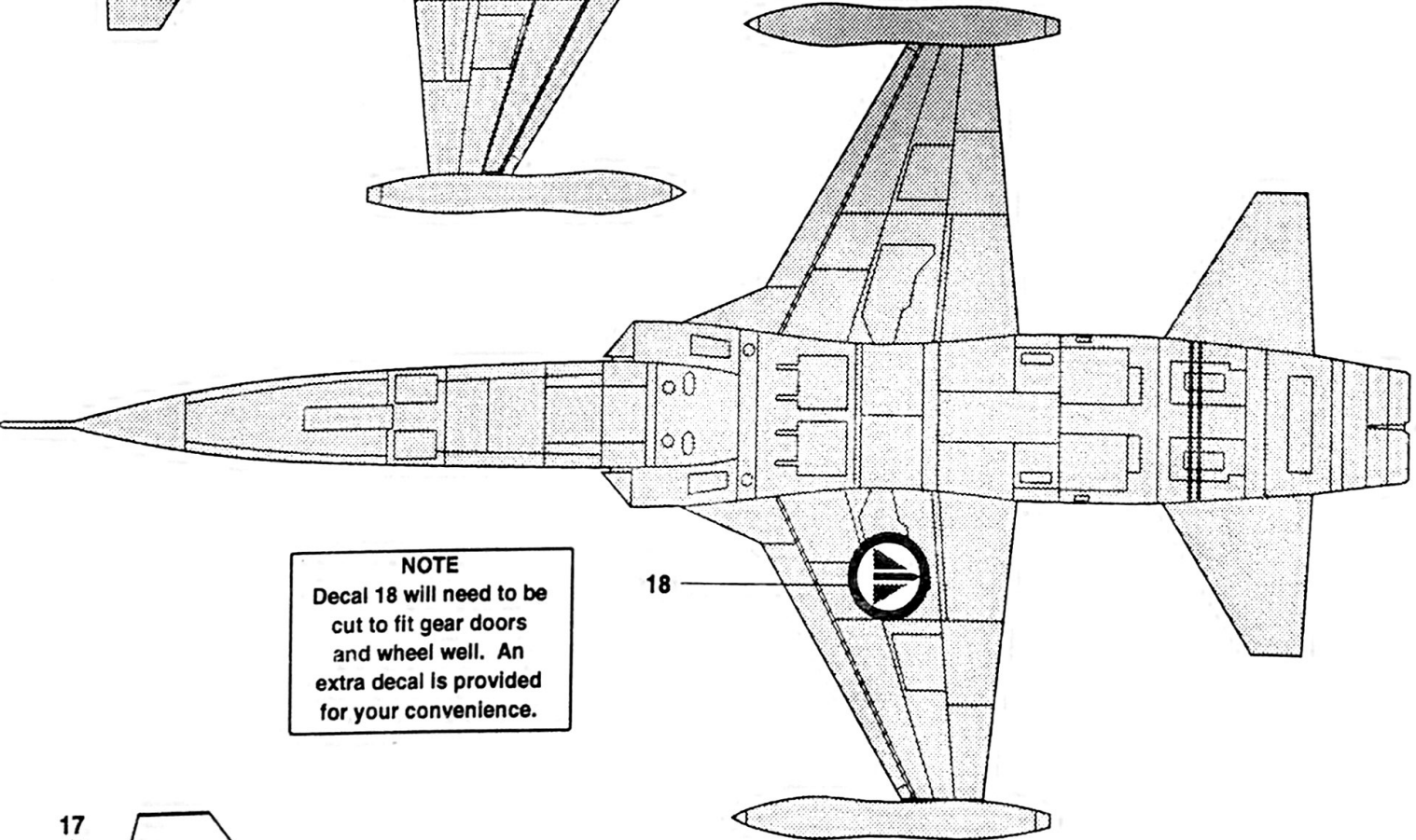
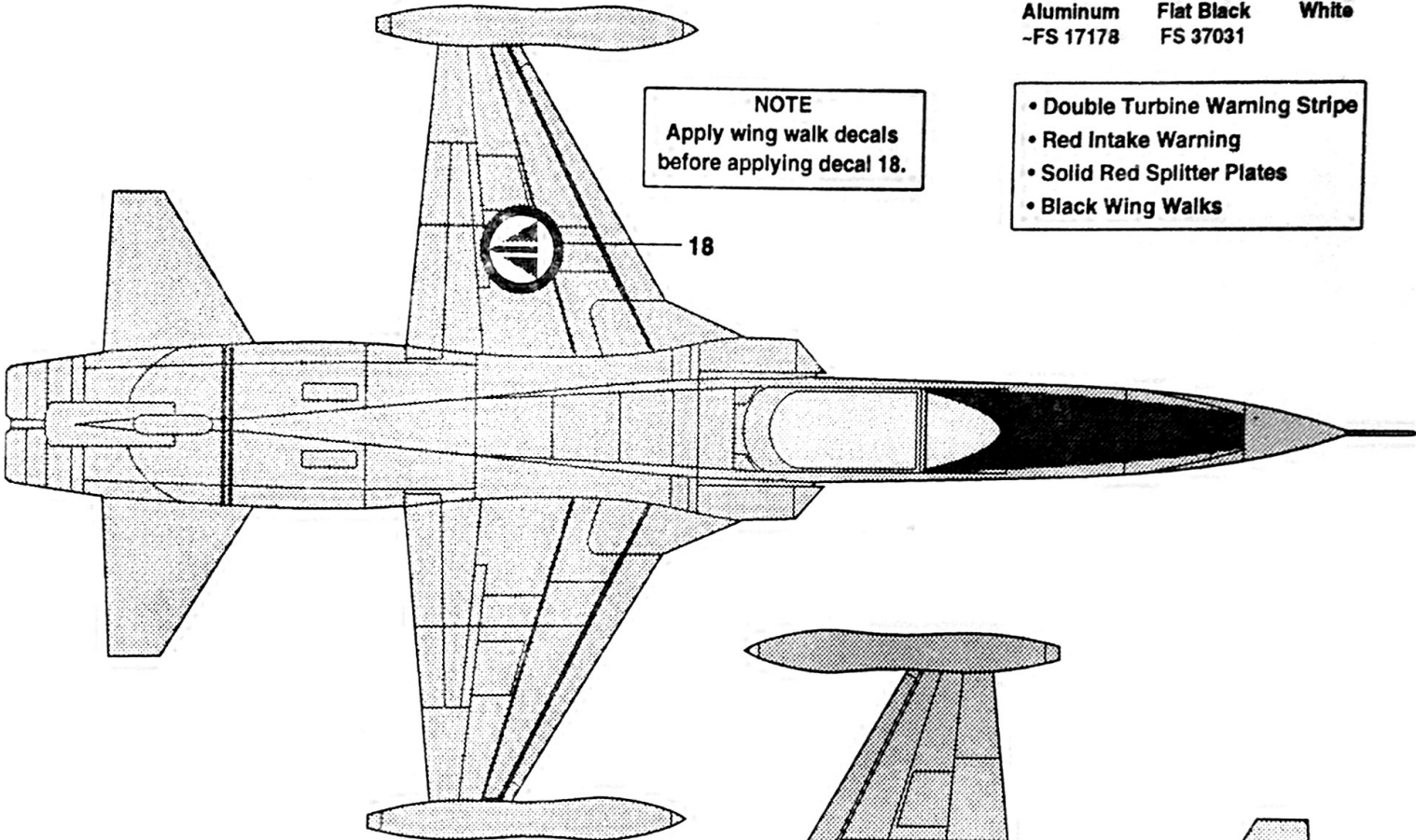
332 Squadron, Royal Norwegian Air Force, 1970



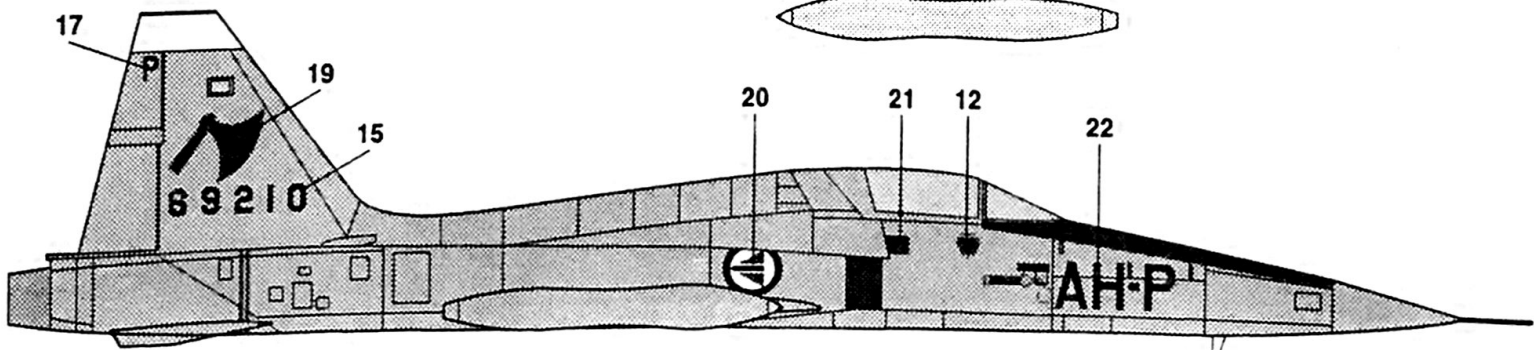
		
Aluminum -FS 17178	Flat Black FS 37031	White

NOTE
Apply wing walk decals
before applying decal 18.

- Double Turbine Warning Stripe
- Red Intake Warning
- Solid Red Splitter Plates
- Black Wing Walks

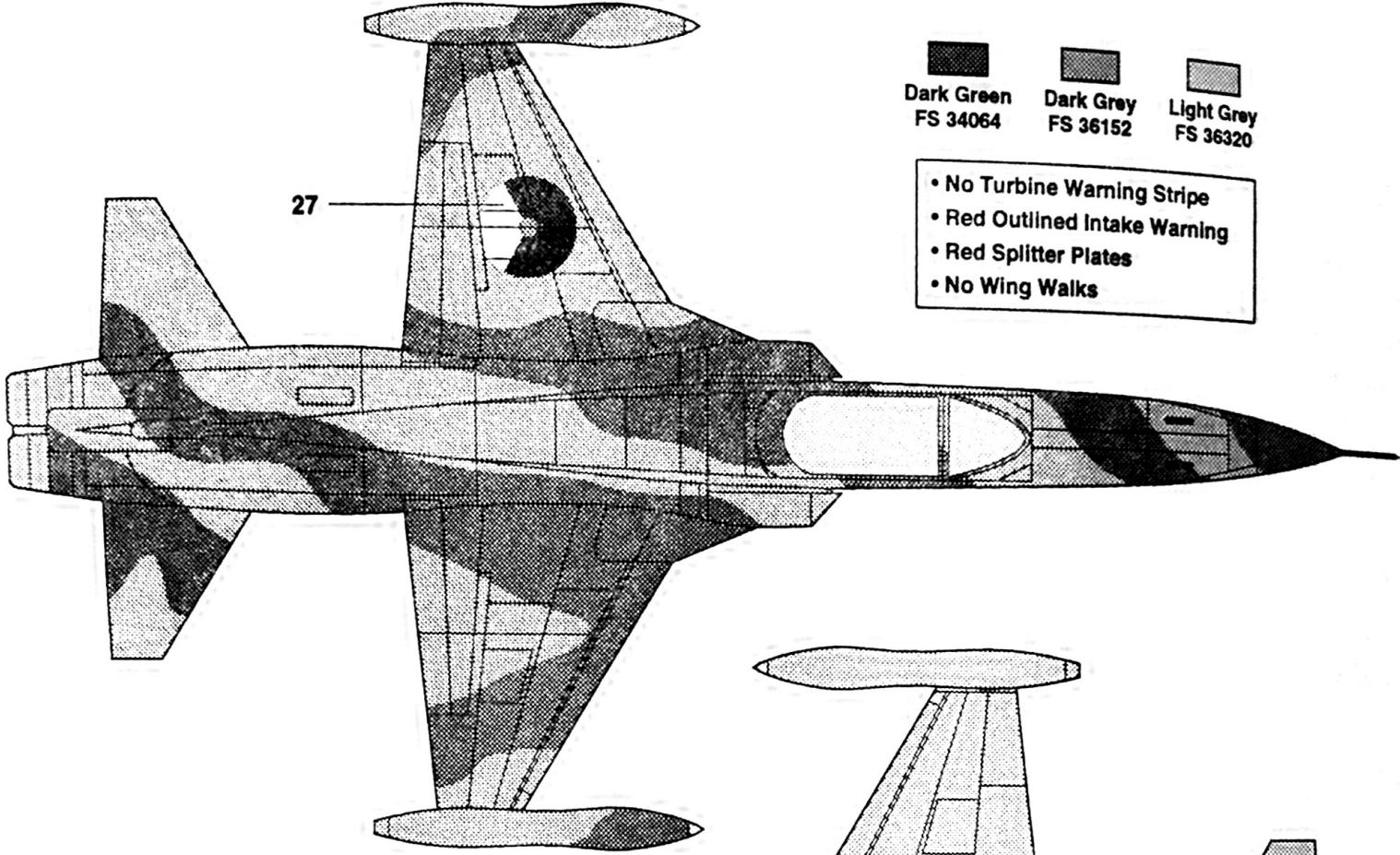
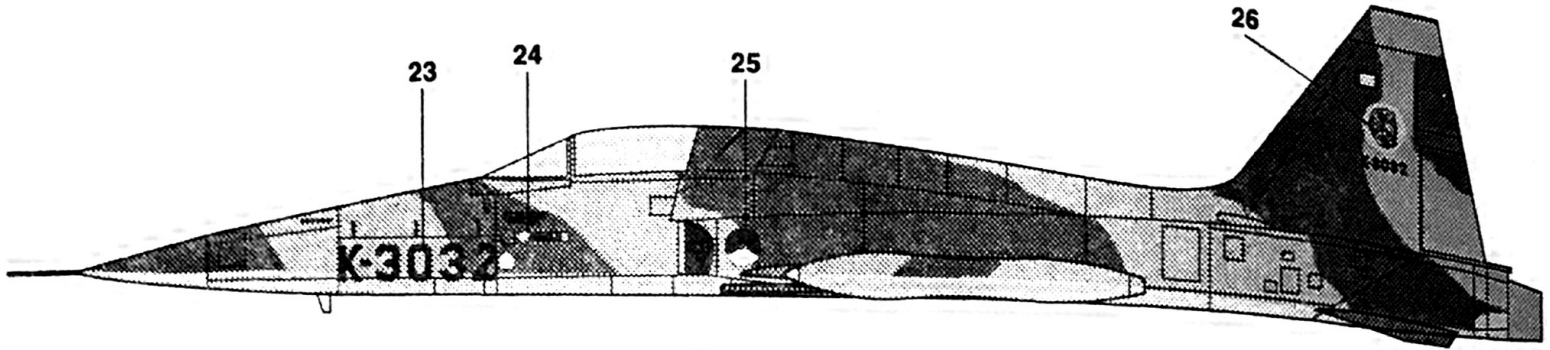


NOTE
Decal 18 will need to be
cut to fit gear doors
and wheel well. An
extra decal is provided
for your convenience.



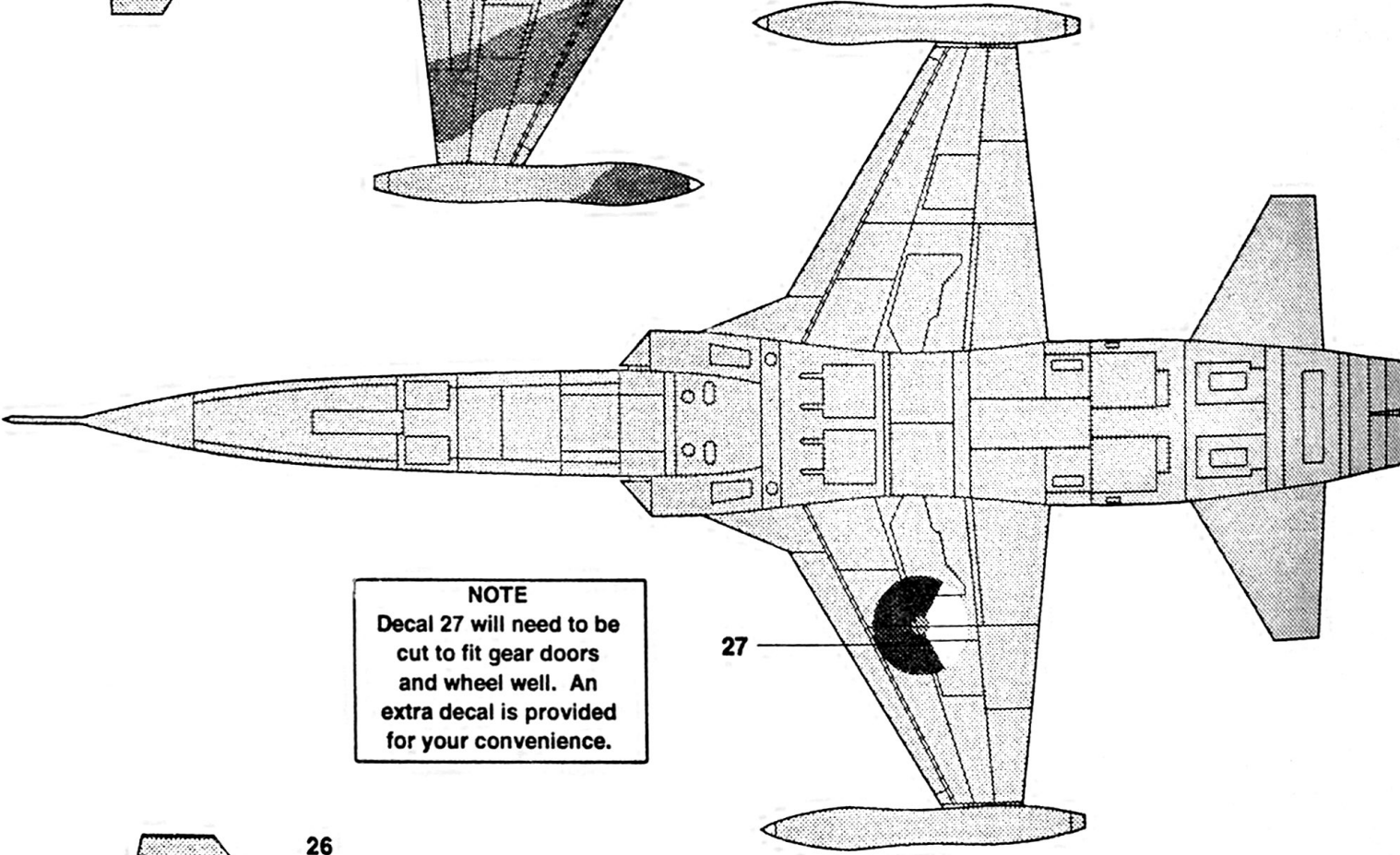
F-5A Freedom Fighter *PAINING & MARKING GUIDE*

315 Squadron, Royal Netherlands Air Force

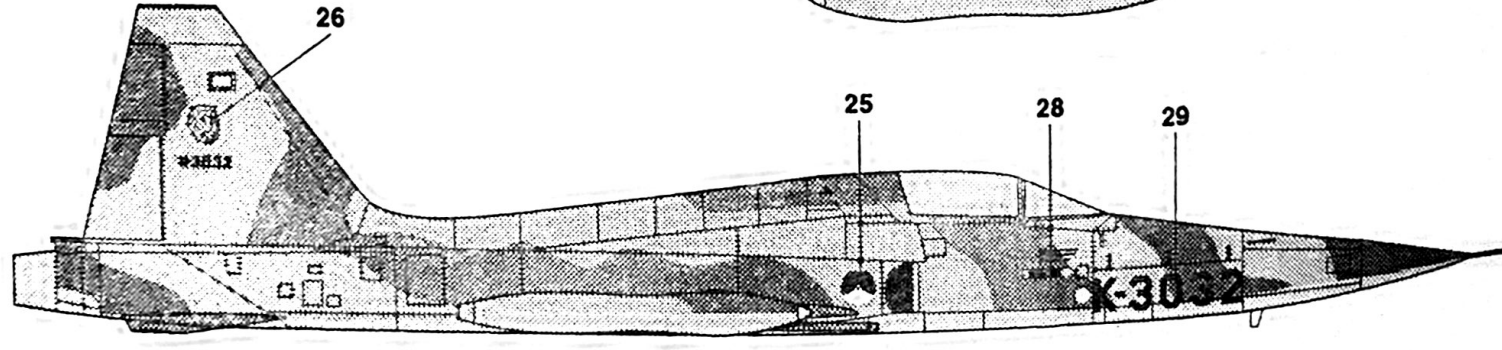


- Dark Green
FS 34064
- Dark Grey
FS 36152
- Light Grey
FS 36320

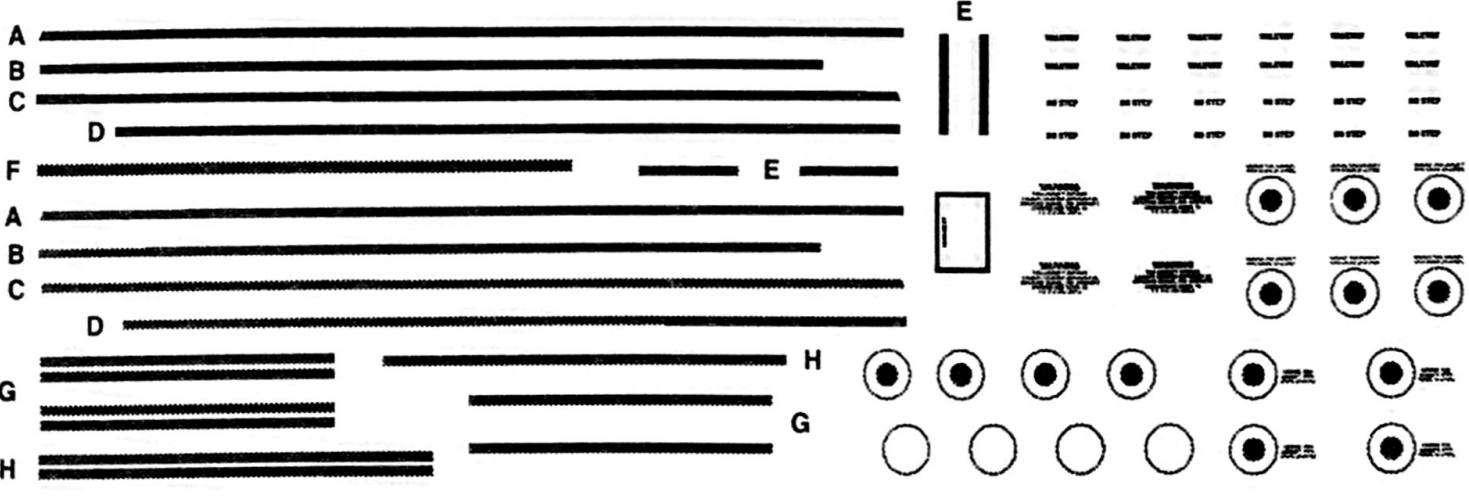
- No Turbine Warning Stripe
- Red Outlined Intake Warning
- Red Splitter Plates
- No Wing Walks



NOTE
Decal 27 will need to be cut to fit gear doors and wheel well. An extra decal is provided for your convenience.

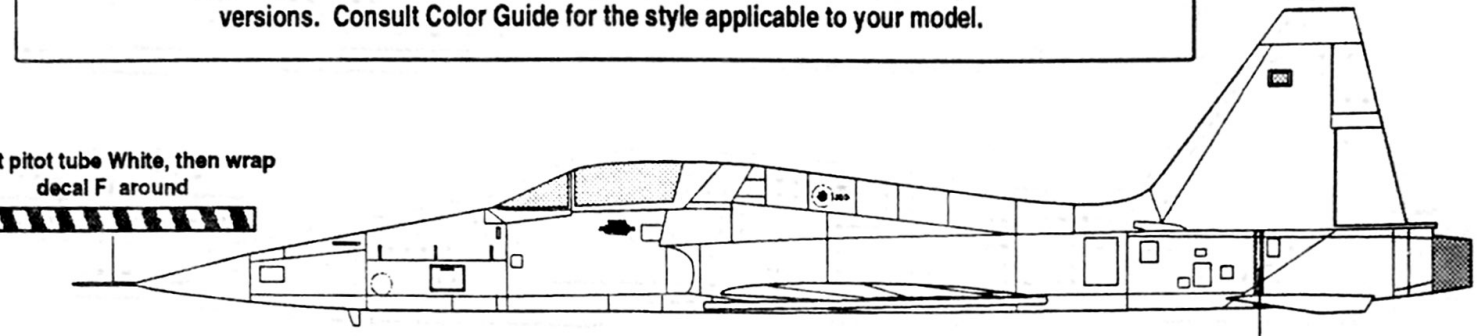


F-5A Freedom Fighter *COMMON STENCILS*

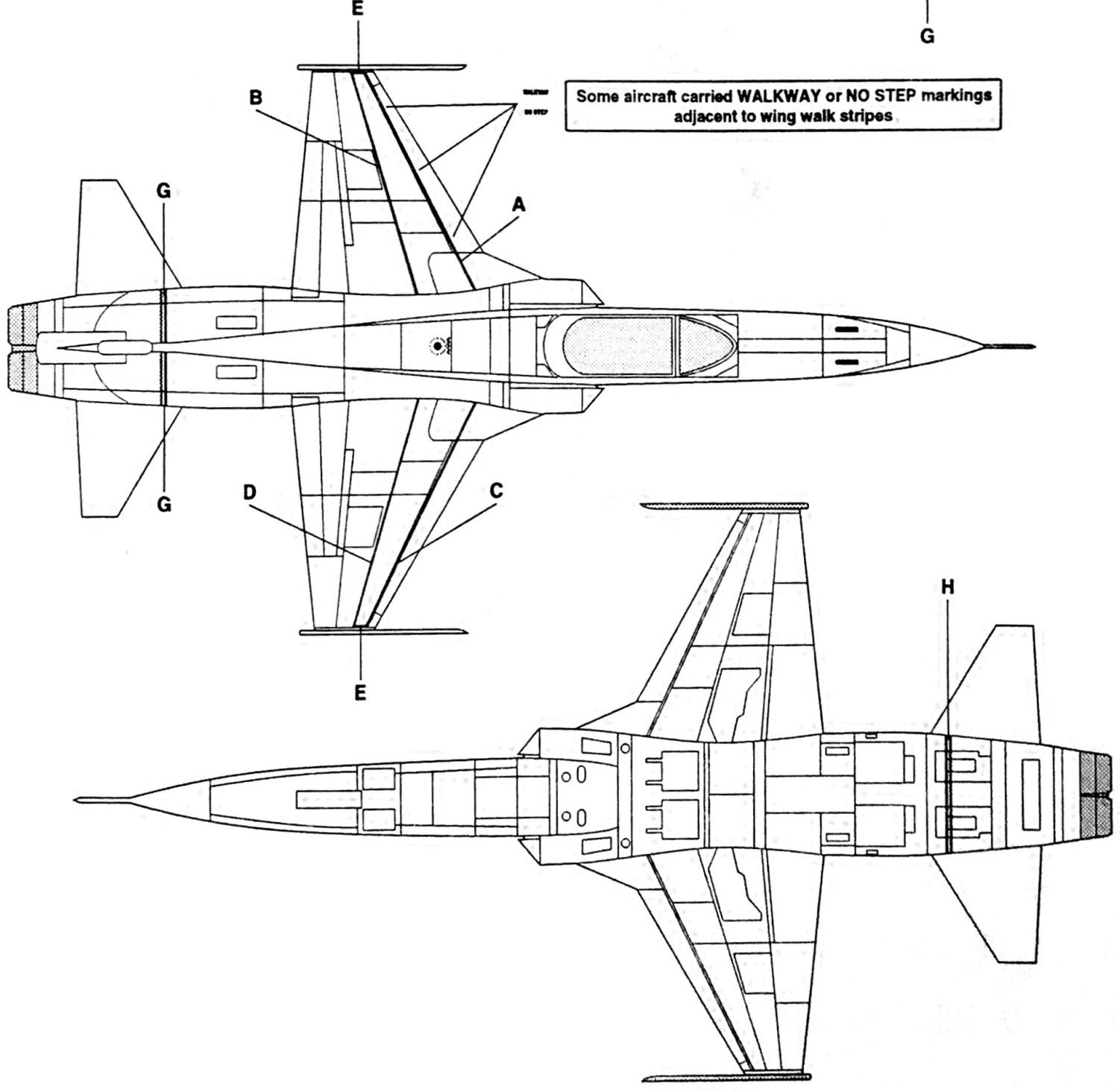


Wing walk decals A B C D E are provided in Black and Red. Consult Color Guide for the appropriate color to apply to your model. Turbine warning stripes G H are provided in single and double versions. Consult Color Guide for the style applicable to your model.

Pitot tube White, then wrap decal F around



Some aircraft carried WALKWAY or NO STEP markings adjacent to wing walk stripes



F-5A Freedom Fighter PAINTING & MARKING GUIDE

Greek Air Force

