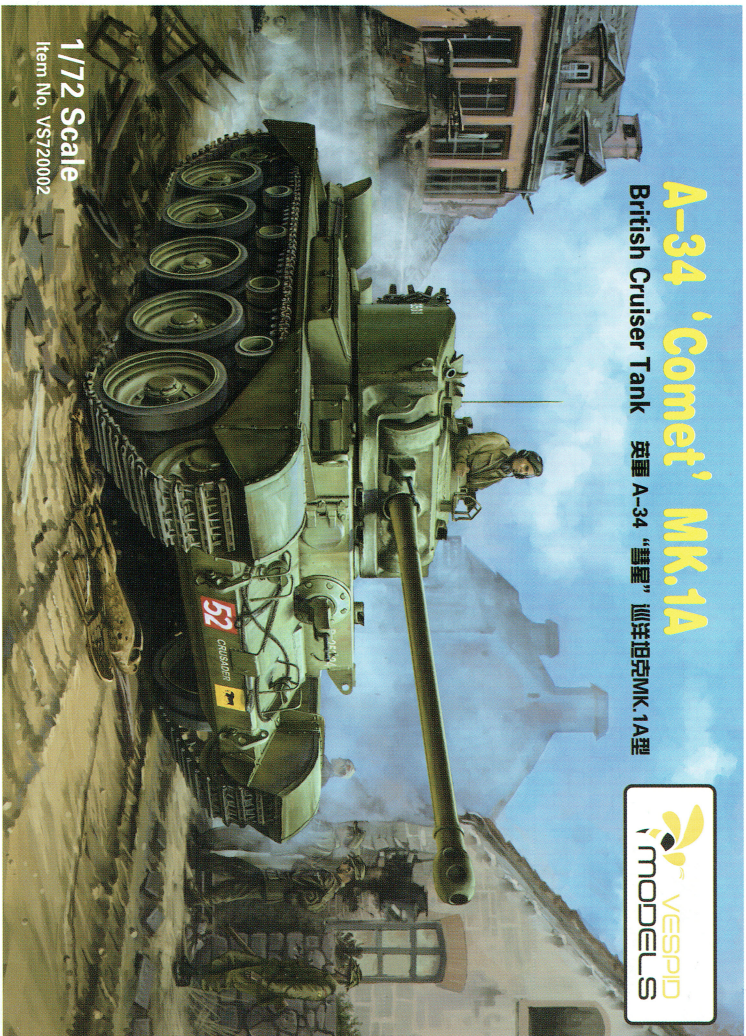


A-34 'Comet' MK.1A

British Cruiser Tank 英軍 A-34 "彗星" 巡洋坦克MK.1A型



1/72 Scale

Item No. VS1720002

Meaning of icons

- | | | | | |
|--|--|--|---|---|
|  FILL HOLE
填平孔洞 |  OPEN HOLE
钻出孔洞 |  OPTIONAL
可选择使用 |  2 SETS NEEDED
同样的制作二组 |  REMOVE
切除 |
|  BE CAREFUL
小心注意 |  APPLY DECAL
贴上火贴 |  BEND
曲折 |  DO NOT CEMENT
不用粘胶 |  INSTANT GLUE
速干胶
瞬間接着剂 |

CAUTION:

1. When you use glue or paint, do not use near a open flame, and sue in a well-ventilated room.
2. Cut the parts of properly and throw waste parts into dustbox at once.
3. Keep all parts out of small children. Children must not to be allowed to put any parts in their mouths or pull plastic bags over their head.
4. Do not play with the parts for any other purpose, as some parts may be to sharp. More caution and care needed for families with infants.

注意:

1. 當組裝模型時應遠離火種及在空氣流通的房間內進行。
2. 廢置膠料應拋棄在環保回收的垃圾箱內。
3. 由於模型套件有許多細小零件，請勿讓小孩接觸以免產生誤吞之危險。也別讓小孩把包裝膠件之透明塑料袋套在頭上，這很容易引致窒息。
4. 由於零件有不少尖角部份，請勿把玩及作其他用途，請注意及小心保護你的家人。

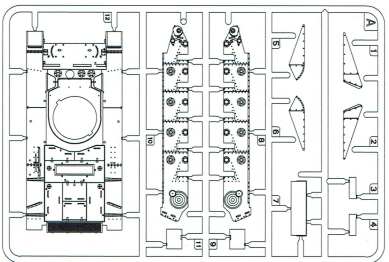
CORRECT METHOD FOR APPLYING DECALS:

1. Clean model surface with wet cloth.
2. Cut out of decal sheet and dip them in cold water for 15 seconds.
3. Place decal on proper position on model.
4. Slide off base paper leaving decals on model with wet finger tip.
5. Adjust decals to exact position, push out excess water under decal with soft cotton cloth.

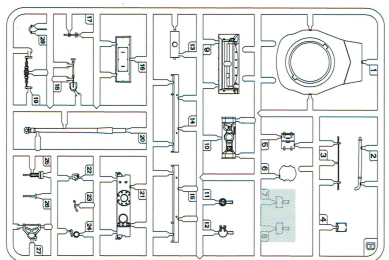
正確貼上火貼紙的方法:

1. 將模型表面擦淨。
2. 將貼紙剪下泡入清水中約15秒。
3. 將泡濕之貼紙取出置放於模型旁。
4. 用指尖輕輕推貼紙表面使其滑出底紙。
5. 將貼紙調整至適當位置并輕擦去水份。

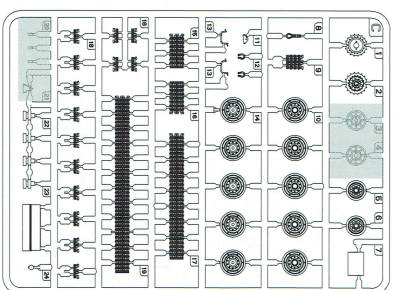
AX1



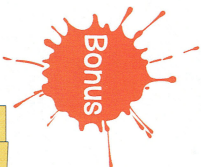
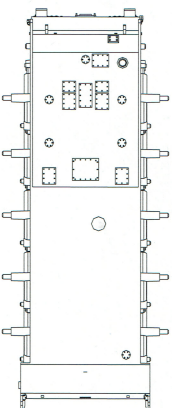
BX1



CX2



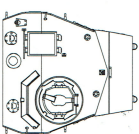
DX1



Metal Barrel FX1



EX1



PX1



Decal X1

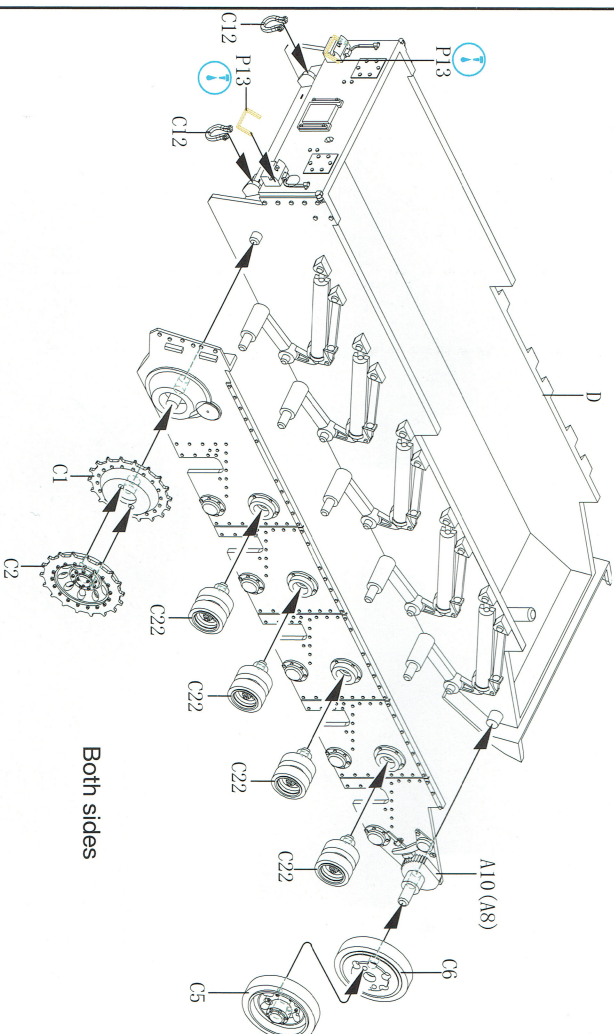


Not for use part(不使用的部件)

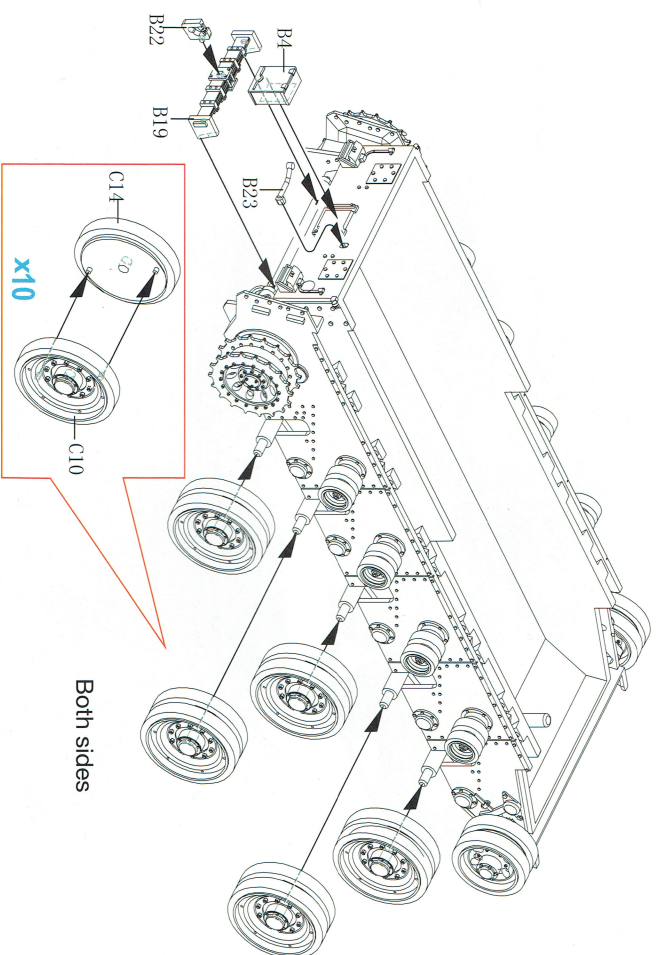
Colour	MR.Hobby	Hobby Color	Humbrol	Tamiya
Wood Brown	H-37	C-43	/	XF-64
Tyre Black	H-77	C-137	85	XF-85
Steel	H-18	C-28	53	X-10
Silver	H-8	C-8	11	X-11
	H-52	C-12	163	XF-58

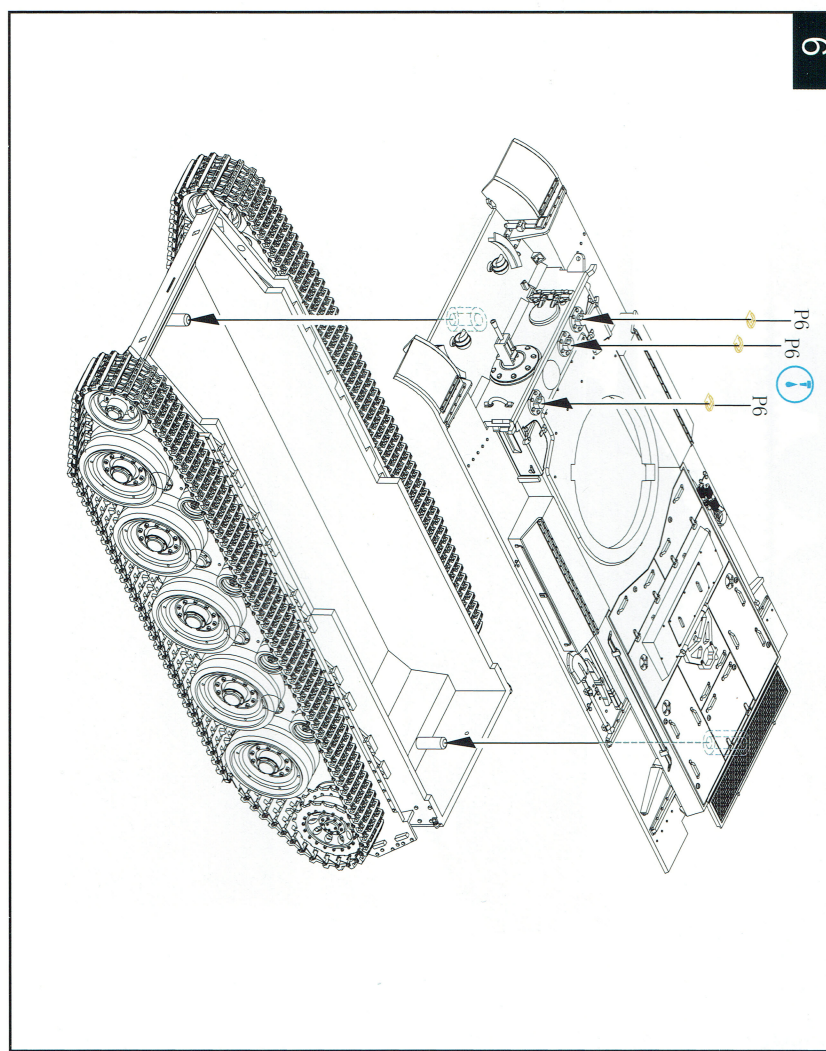
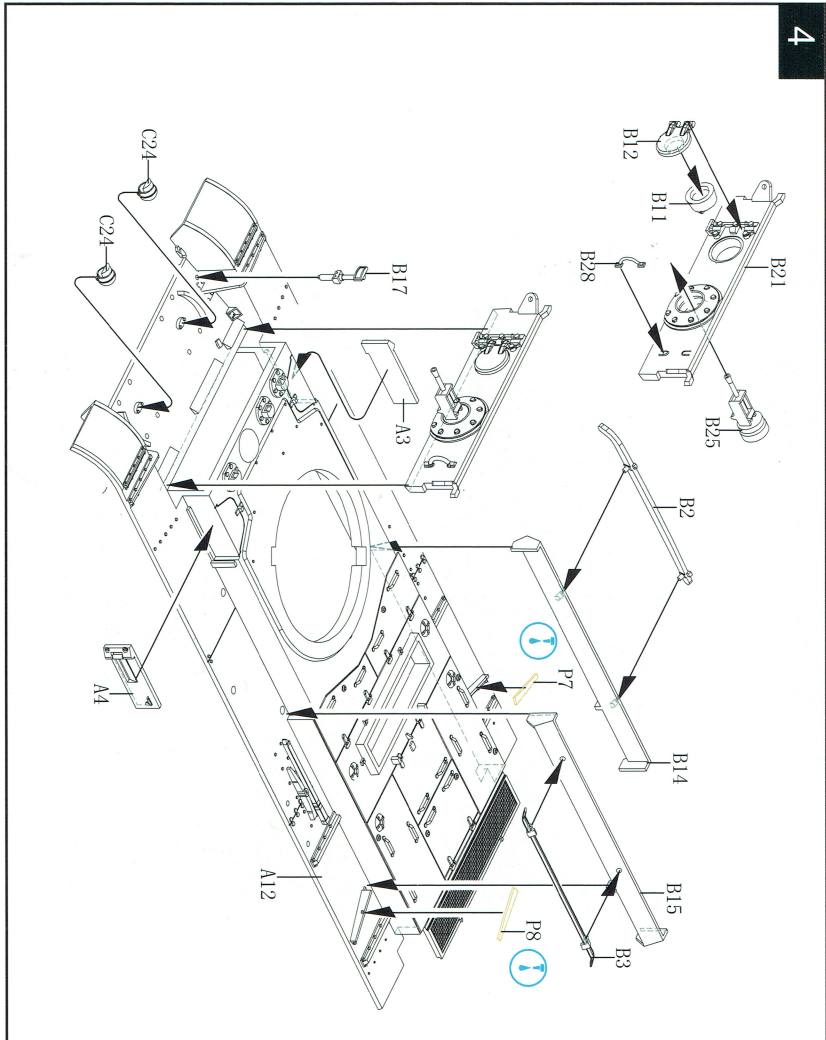
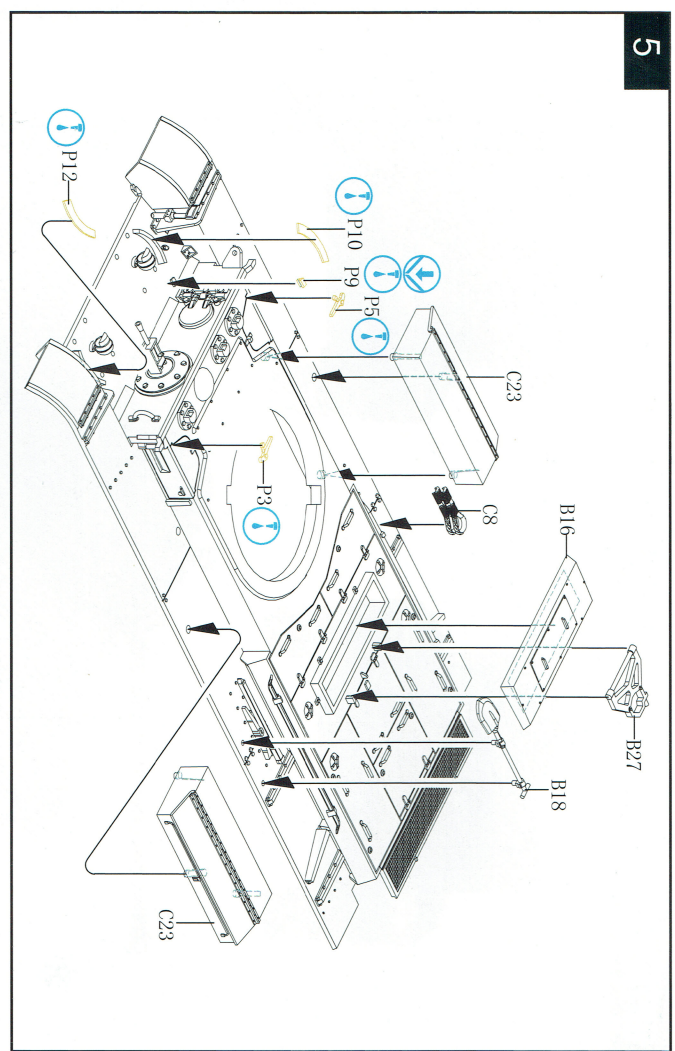
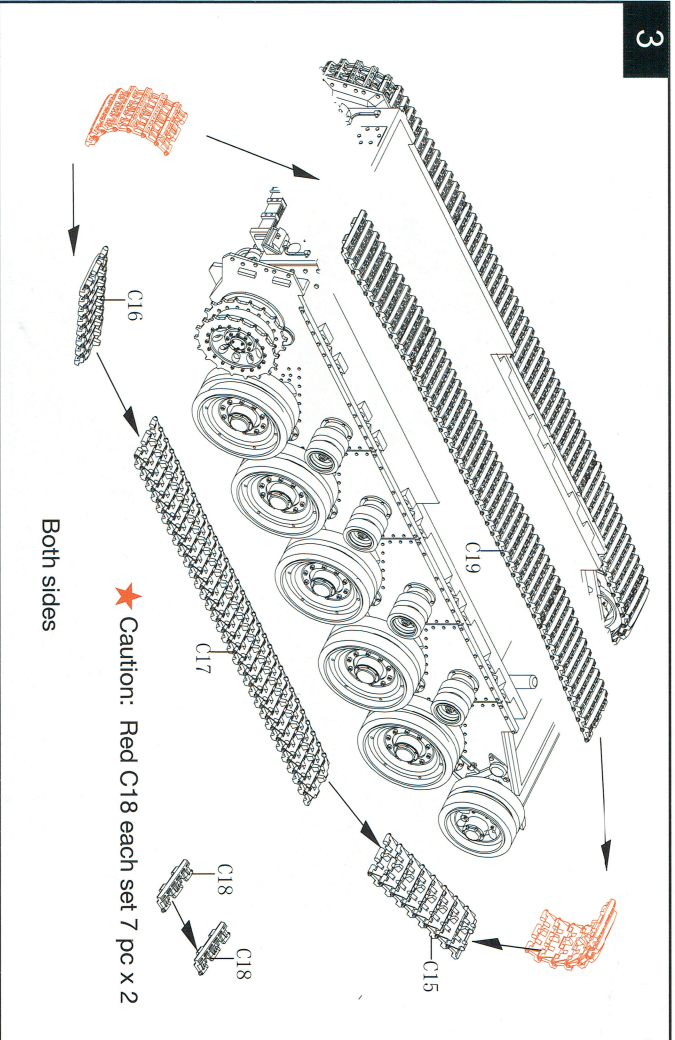
British Olive drab No.15

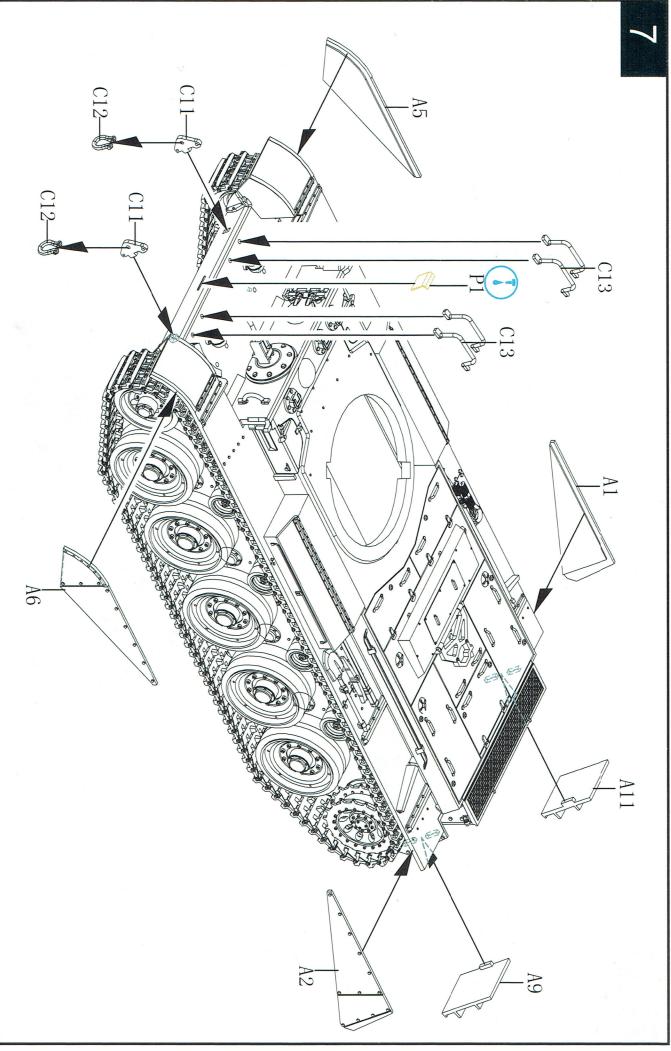
1



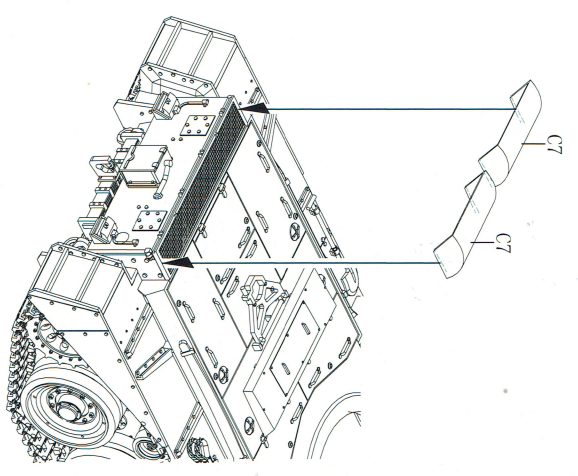
2



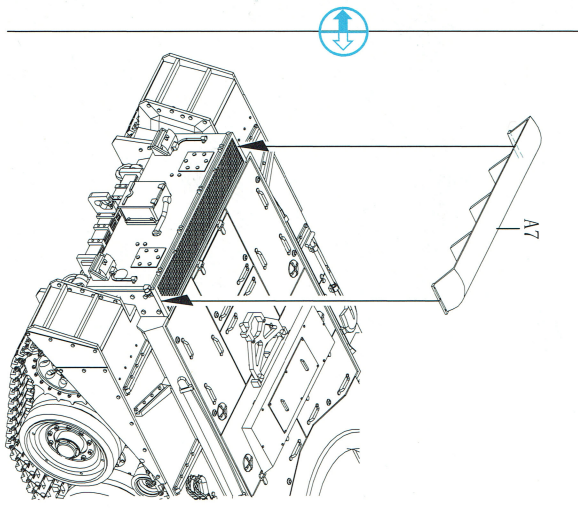


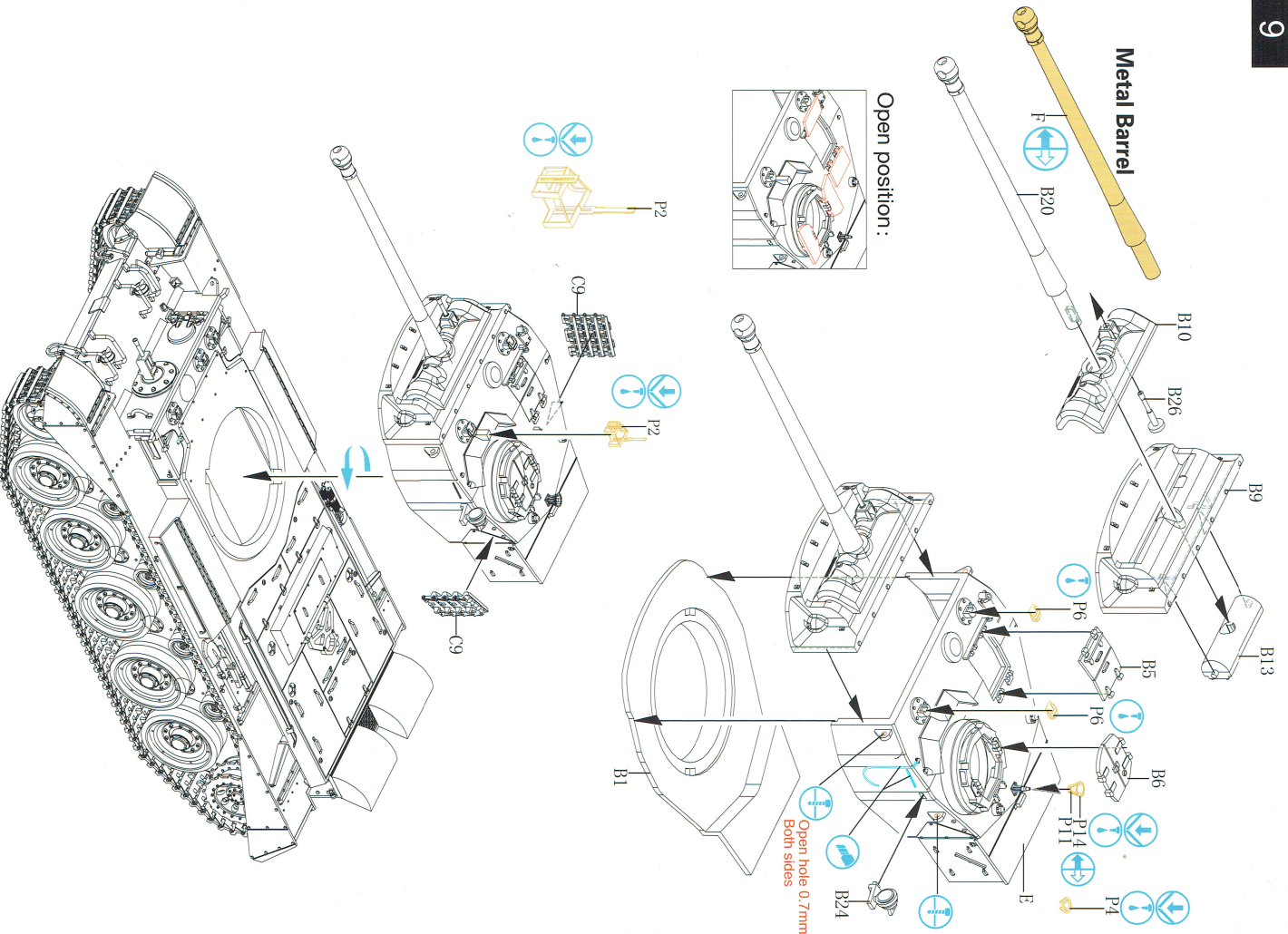


Option1 and Option2 for tank



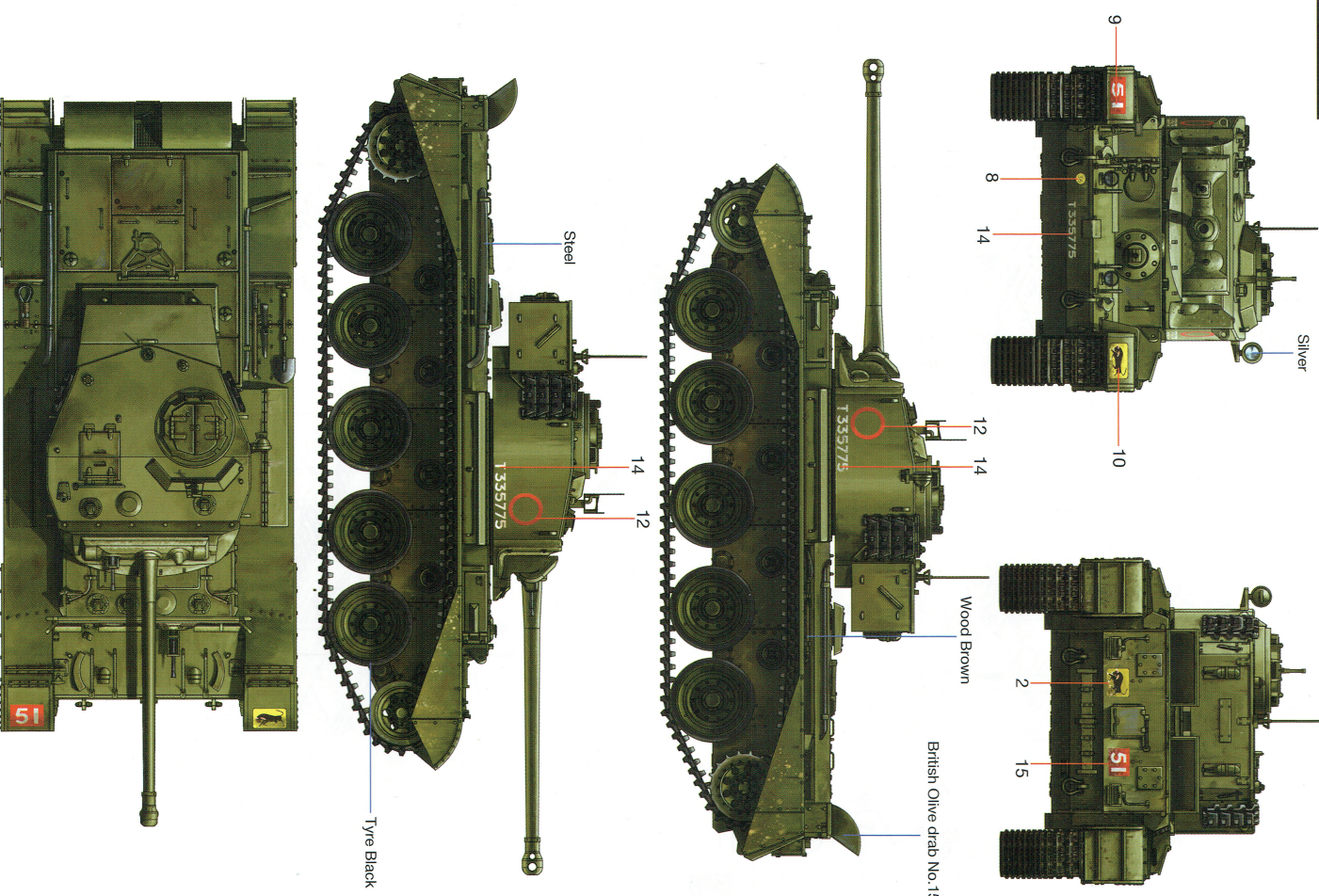
Option3 for tank





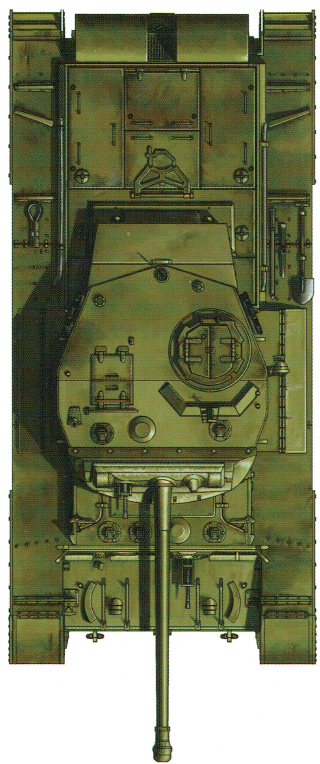
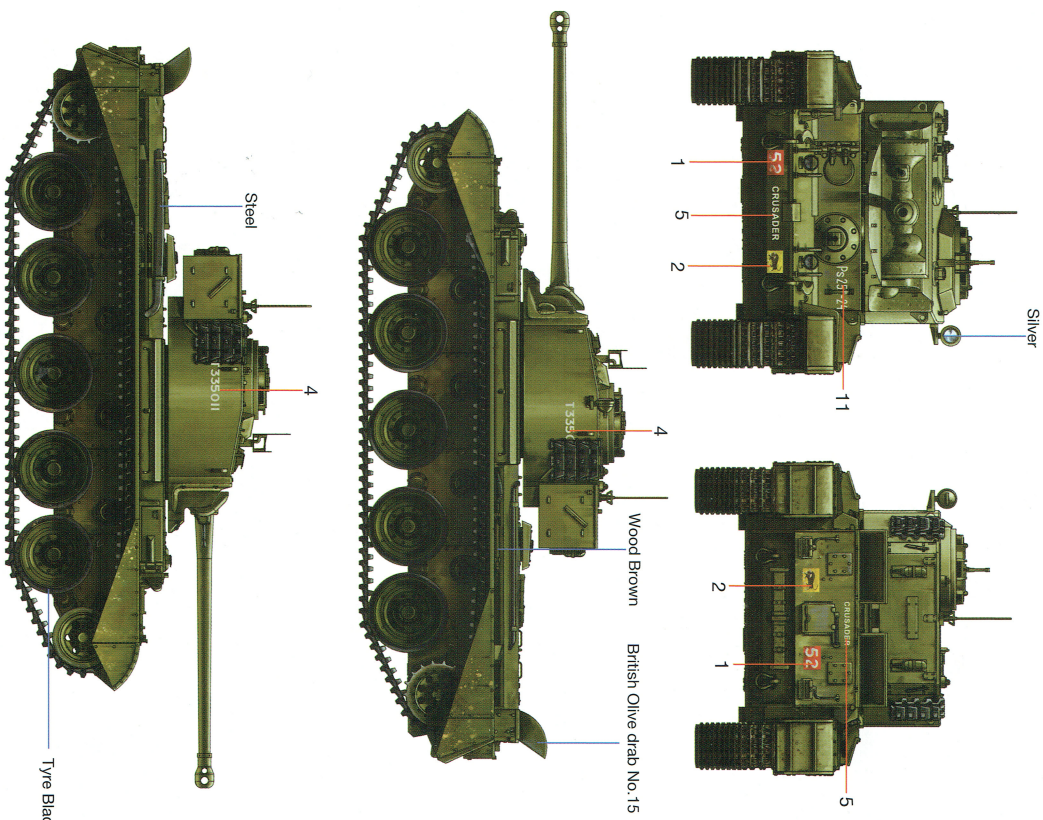
OPTION 1:

C Squadron, 23rd Hussars, 29th Armoured Brigade, 11th Armoured Division, Germany, May 1945
 第11裝甲師第23裝甲旅第23騎兵團C連，1945年5月，德國



OPTION 2:

CRUSADER 3rd Royal Tank Regiment, 29th Armoured Brigade, 11th Armoured Division, Germany, April 1945
第11装甲师第29装甲旅第3皇家坦克团，编队：十字军骑士，1945年4月，德国



OPTION 3:

COBRA 3rd Royal Tank Regiment, 29th Armoured Brigade, 11th Armoured Division, Germany, March 1945
第11装甲师第29装甲旅第3皇家坦克团，编队：眼镜蛇，1945年3月，德国

