



T645602

Curtiss P-36A Hawk

IMPORTANT!

READ THESE POINTS BEFORE YOU BEGIN

- 1 "TEST FIT" all parts before cementing. Trim excess plastic from parts before joining.
- 2 Cement all parts unless otherwise indicated by the instructions.
- 3 Use paint and cement made for styrene plastic only.
- 4 Paint all sub-assemblies before attaching chrome parts.
- 5 Scrape chrome and paint away from surfaces to be cemented together.
- 6 Follow all of the numbers on the instruction sheet beginning with number one.

TOOLS



TWEEZERS
TO PLACE,
PICK UP
AND HOLD
SMALL PARTS.



KNIFE
TO REMOVE
AND TRIM
PARTS.
FILE
TO REMOVE
EXCESS
PLASTIC.



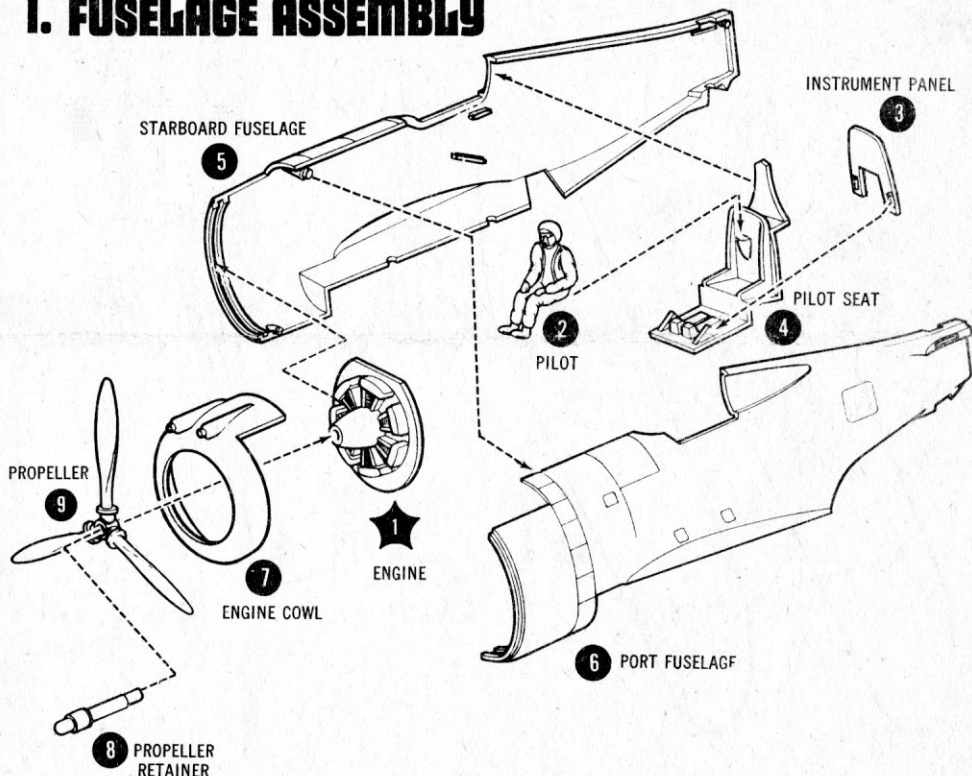
CEMENT
USE
TOOTH PICK
PAINT
BRUSH
OR PIN
TO
APPLY IT



**TAPE,
RUBBER
BAND
AND
CLOTHES
PINS**
TO
CLAMP
AND
HOLD PARTS
UNTIL THEY
ARE DRY.

IMPORTANT NOTE: Do not remove parts from runners until ready to use.

I. FUSELAGE ASSEMBLY

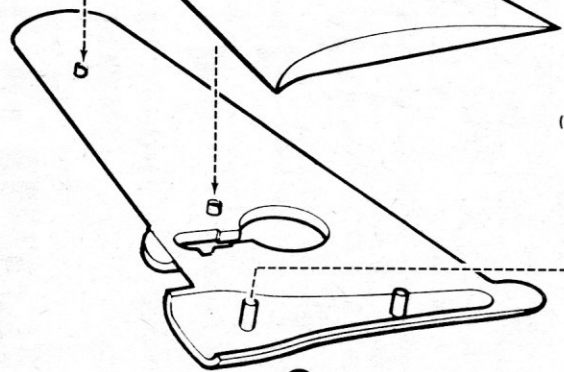


2. WING ASSEMBLY

2 CEMENT WINGS TOGETHER FIRST; THEN LOCATE TO FUSELAGE.

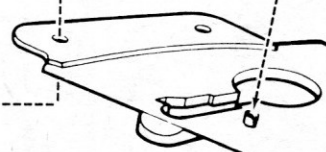
STARBOARD WING
UPPER HALF

5

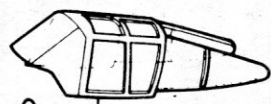


6 STARBOARD WING LOWER HALF

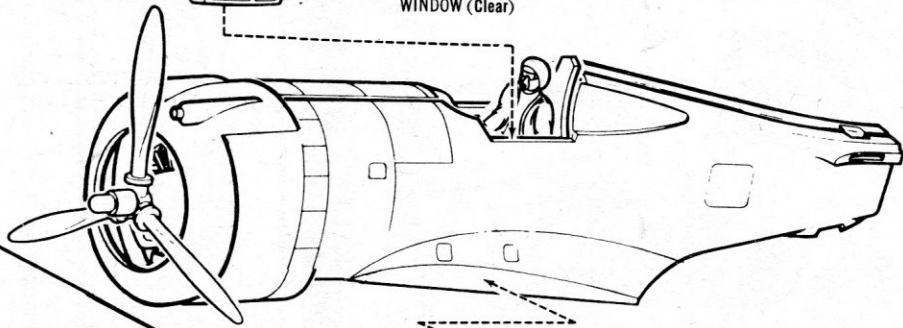
(To holes in fuselage)



4 PORT
WING LOWER HALF

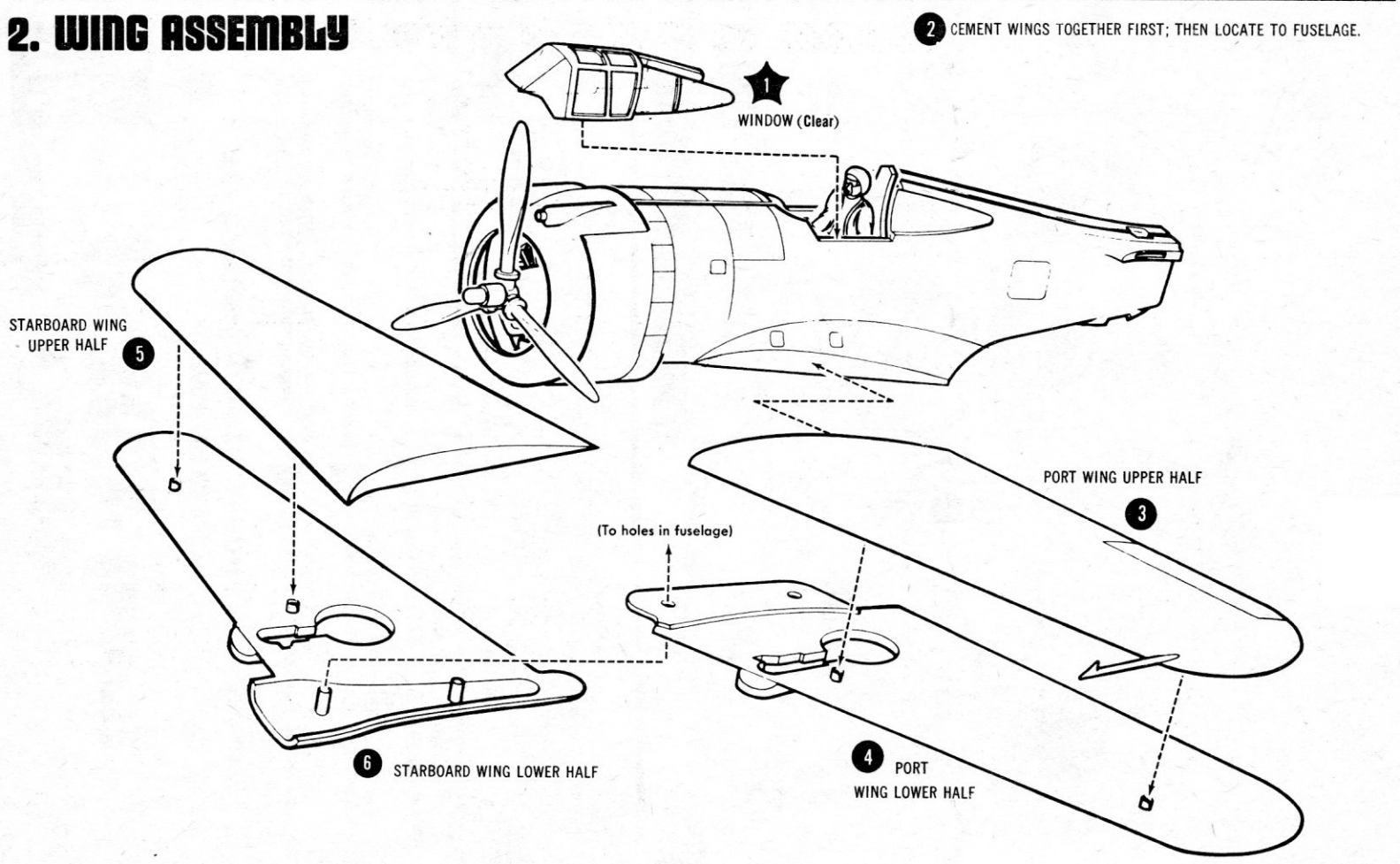
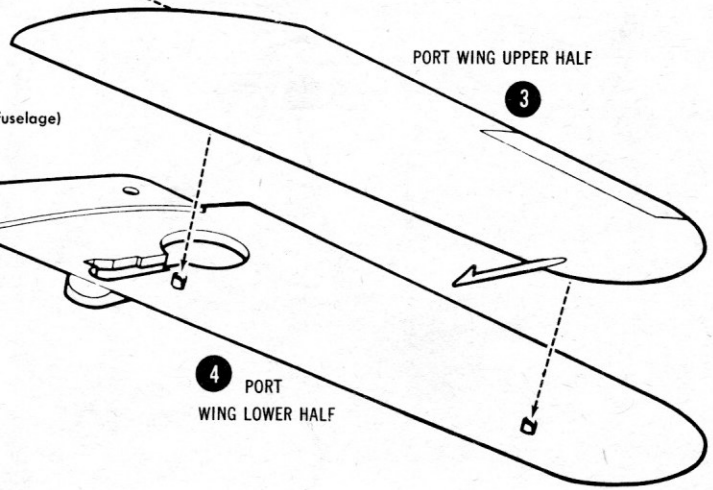


1
WINDOW (Clear)

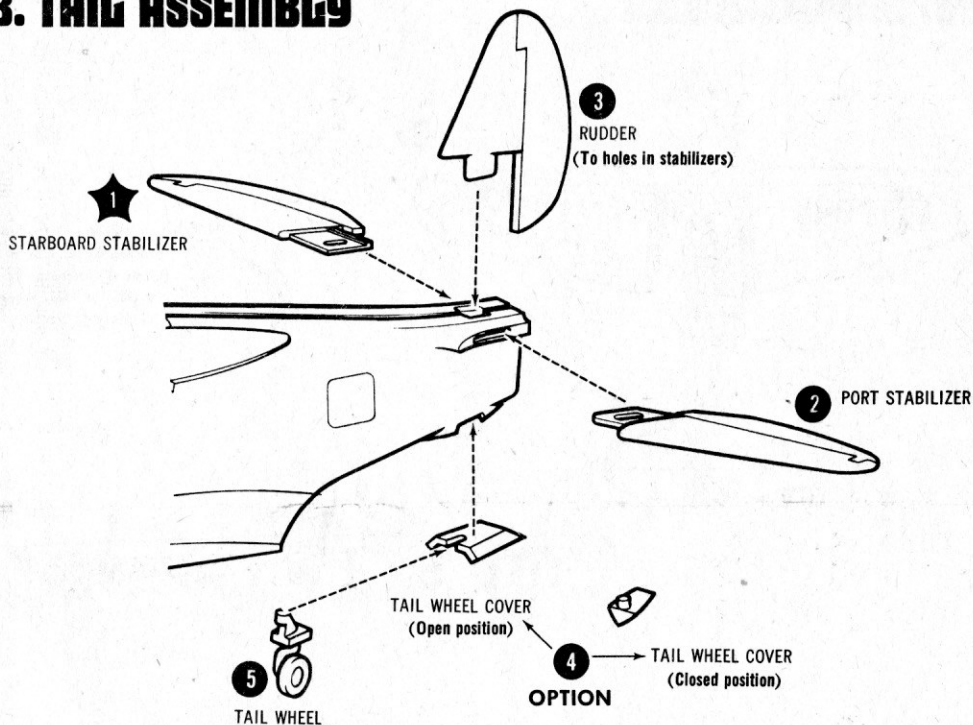


PORT WING UPPER HALF

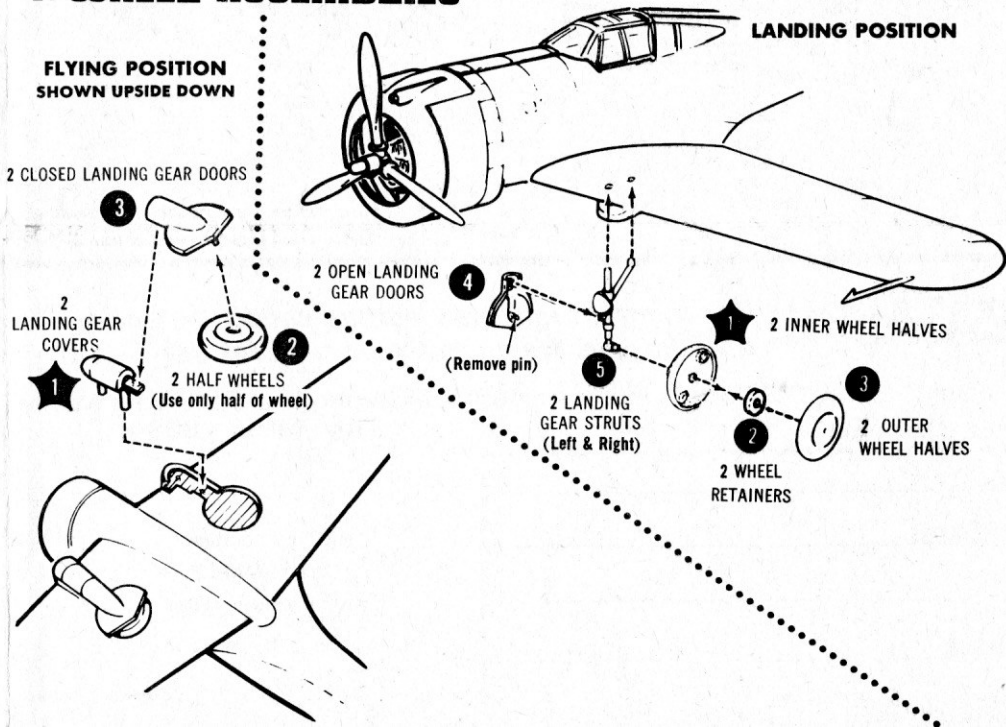
3



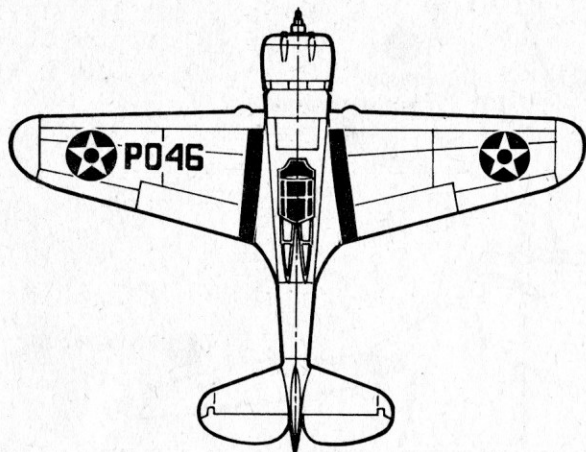
3. TAIL ASSEMBLY



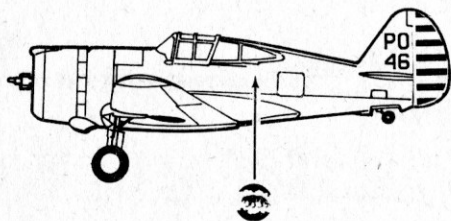
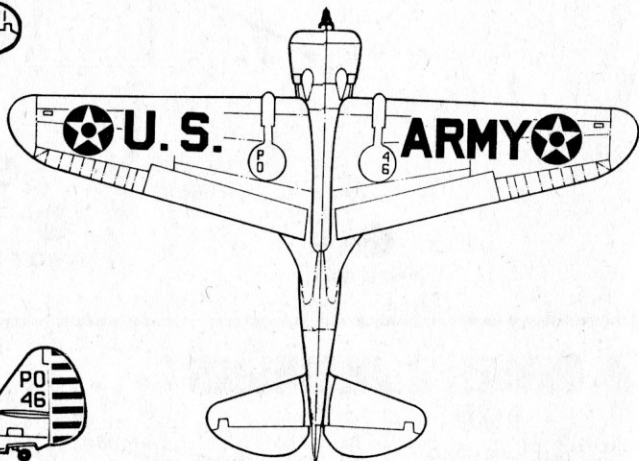
4. WHEEL ASSEMBLIES



DECAL PLACEMENT



NOTE: For painting and decal placement, see box art. Follow directions on back of DECAL SHEET when applying decals.



THANKS TO THE WRIGHT-PATTERSON AIR FORCE MUSEUM, THE DAYTON CHAPTER—IPMS, DAVE MENARD, EL MASON AND WAYNE MOYER FOR THEIR RESEARCH ASSISTANCE.

CATALOG! *Our colorful brand-new edition shows the entire AMT kit line. We'll send your copy for only \$ 1.00*

I am enclosing \$1.00 for my AMT catalog. **AMT Corporation 1225 East Maple Troy, Mich. 48084**

NAME _____

ADDRESS _____

CITY _____

STATE _____ ZIP CODE _____

AMT corporation,
1225 E. MAPLE,
Troy, Michigan 48084