

# AMX-T



## AMX-T / 1B FIGHTER TWO-SEATER

The AMX-T is a two seater, high performance transonic turboprop jet, specifically developed for Advanced and Fighter Lead-In Training. It maintained the operational characteristics of the AMX - Ground Attack Fighter - in operation with the Brazilian and Italian Air Forces.

AMX can carry up to 3,800kg of air-to-air and air-to-surface missiles, bombs and munitions. The AMX is powered by the Rolls-Royce Spey Mark 807 non-afterburn turboprop engine.

The AMX fighter-bomber aircraft is in service with the air forces of Brazil, Italy and Venezuela. The first AMX aircraft was delivered to the Italian Air Force in 1989 and to the Brazilian Air Force in 1990. In total, 192 aircraft were delivered to Italy (110 AMX, 26 AMX-T) and Brazil (79 AMX, 15 AMX-T).

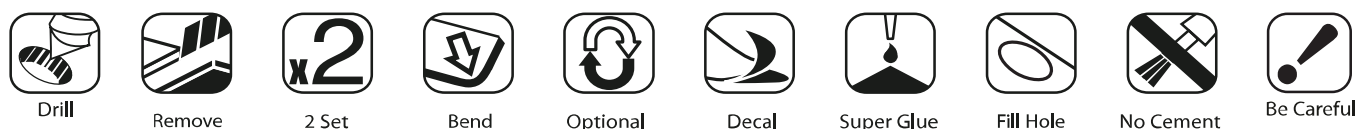
AMXはイタリアとブラジルが共同開発した亜音速・軽ジェット攻撃機で、その特性をそのままに訓練などで使えるように複座にしたものがAMX-Tです。AMXはアフターバーナーなしのRolls-Royce Spey Mark 807エンジンを装備しており、対空・対地兵器や弾薬などをあわせて3,800Kgに及ぶペイロードを持ちます。

イタリアでは1989年から運用を開始し、単座 (AMX) 110機と複座 (AMX-T) 26機が、ブラジルでは1990年から単座79機、複座15機が引き渡されています。これらの他に、ベネズエラでも運用されています。

### CAUTION

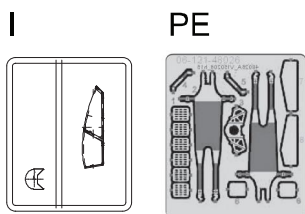
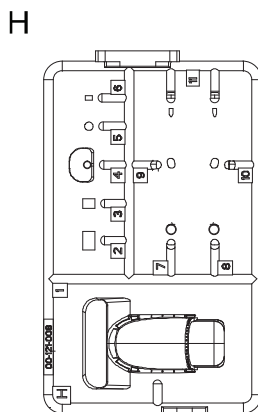
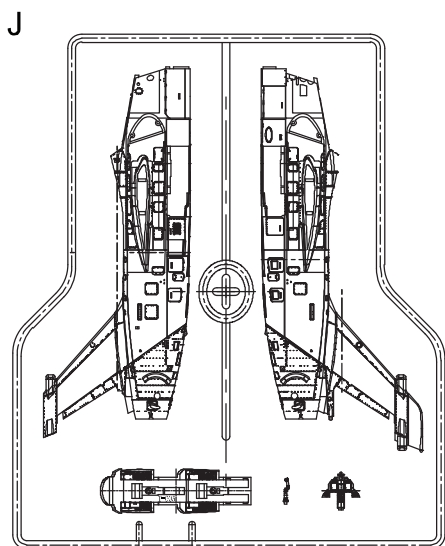
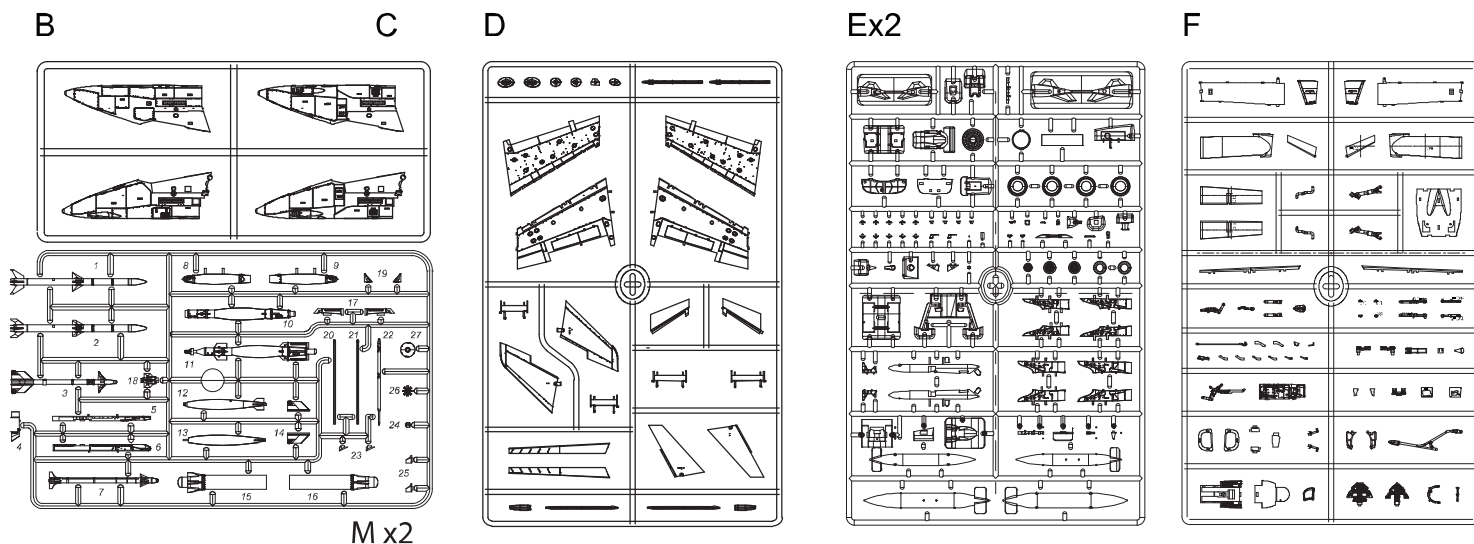
- \*Read carefully and fully understand the instructions before commencing assembly.
- \*Keep out of reach of children. Children must not be allowed to put any parts in their mouths, or pull plastic bag over their heads.
- \*When using adhesives and paints, please make sure not to use them in closed room or near the fire.
- \*When assembling this kit, tools including knives are used. Extra care should be taken to avoid injury.

### WARNING: CONTAIN SMALL PARTS NOT FOR CHILDREN UNDER 14 YEARS OF AGE.



### TOOLS RECOMMENDED





**AFTERMARKET SERVICES CARD**

When requesting replacement parts, please take or send this form to your local dealer so that the parts required can be correctly identified. Please note that specifications and availability are subject to change without notice.

or visit <http://www.kineticmodel.com> for latest information.

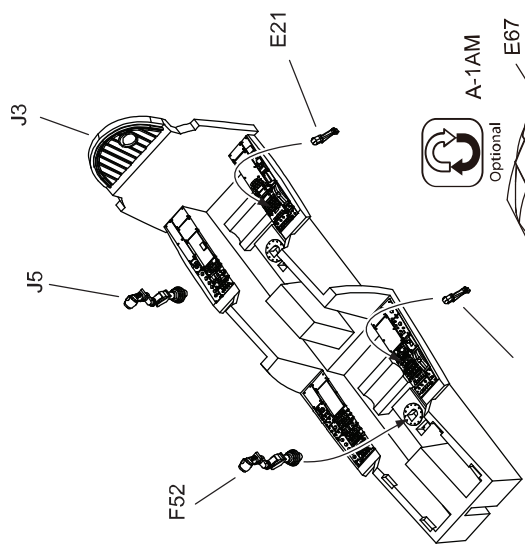
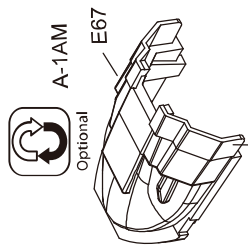
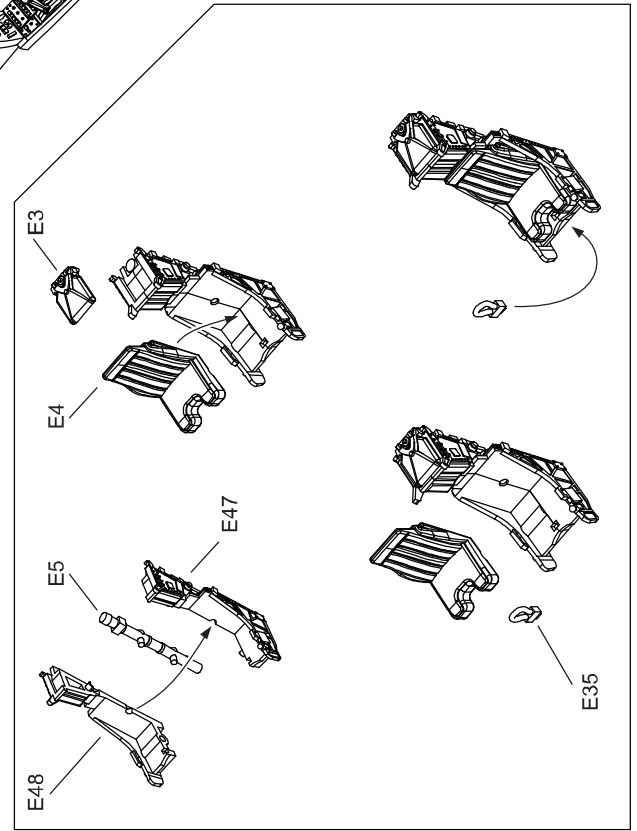
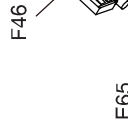
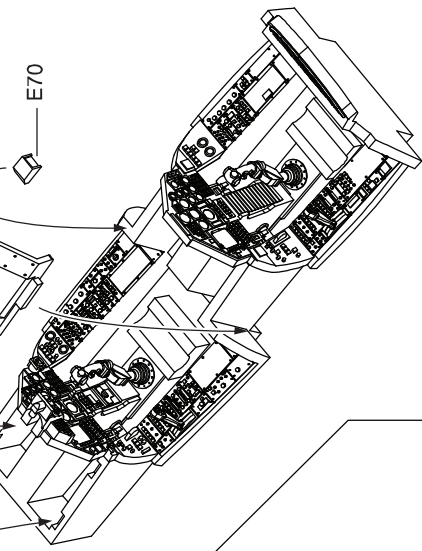
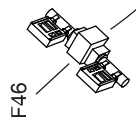
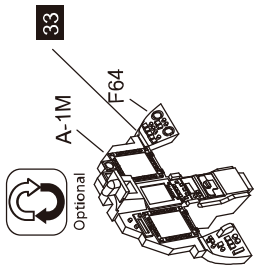
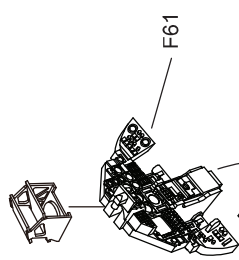
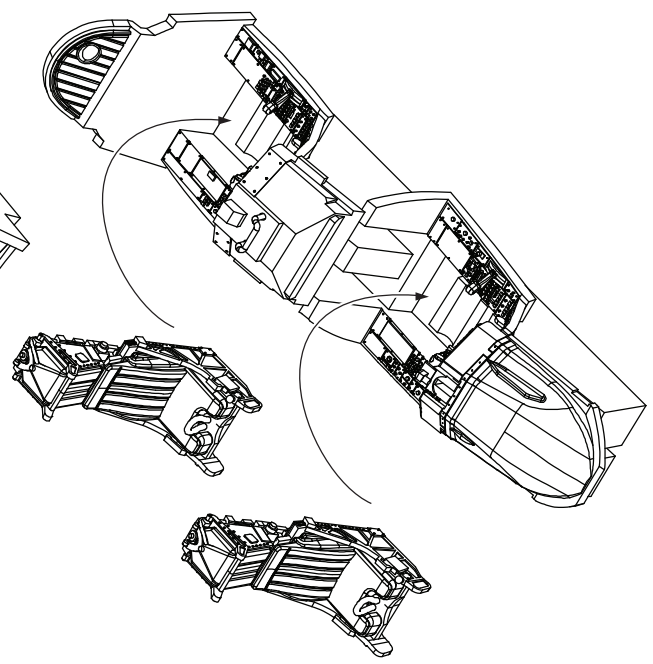
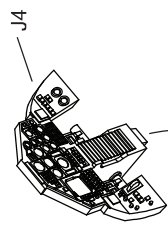
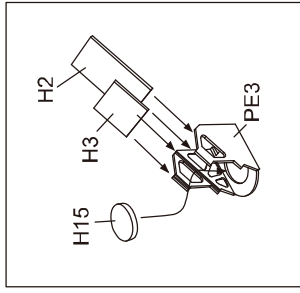
For more information, please contact [services@kineticmodel.com](mailto:services@kineticmodel.com)

Parts Code	Item	K48027
00-100-021	Mx2	WEAPON SET (AIM-9x,9M,120B/C,GBU-12) PARTS M
00-121-010	J	1/48 2 SEATER AMX-T FUESLAGE
00-121-002	B	1/48 AMX/ITALY NOSE
00-121-003	C	1/48 AMX/A-1 NOSE
00-121-004	D	1/48 AMX WINGS
00-121-005	E x 2	1/48 AMX FUEL TANK, SEAT
00-121-006	F	1/48 AMX IN TAKE
00-121-009	I	1/48 2 SEATER AMX-T CANOPY
00-121-008	H	1/48 AMX CANOPY COMMON PARTS
01-121-48026		1/48 AMX FIGHTER ITALY/BRAZIL
03-121-48027		1/48 2 SEATERS AMX-T MANUAL
06-121-48026	PE	PE

**PAINT INDEX**

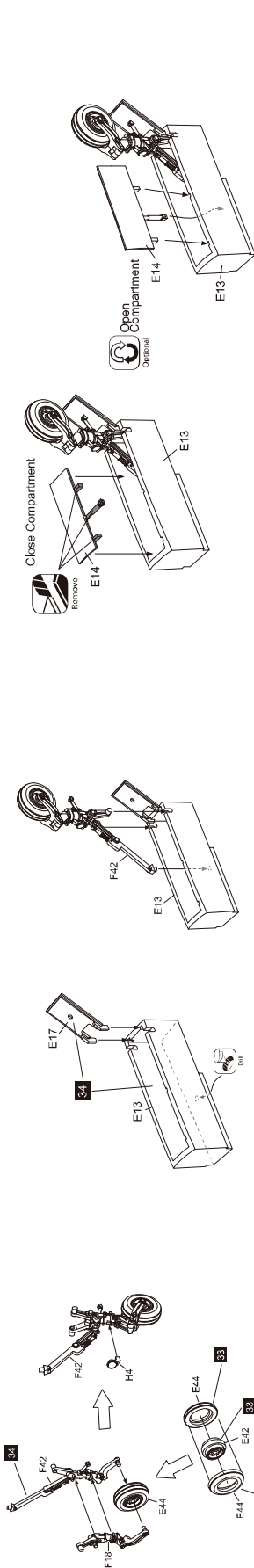
Color	Humbrol Enamel/Acrylic	GSI Creos Mr. Color	Italeri Arcylic Paint	Tamiya Enamel/acrylic	AMMO Mig	Vallejo Model Color
Flat Black	33	33	4768AP	XF-18	46	950
Flat White	34	-	4796AP	X-2	47	951
Clear Red	1321	47	-	X-27	93	934
Clear Green	1325	138	-	X-25	92	-
US Ghost Grey	127	308	-	-	-	-
Gun Metal	53	-	4681AP	X-10	45	863
Silver	11	8	4678AP	-	-	790
Khaki	26	55	-	XF-49	-	880
Alluminum	27001	Mc218	467AP	-	-	-
Sky Gray	28	-	-	XF-19	-	989
Drak Blue Gray Fs26187	157	-	4766AP	-	-	-
Light Blue Gray Fs26493	106	-	4778AP	XF-82	-	893
Gloss White	22	1	4696AP	X2	47	842

33 denotes Humbrol Paints

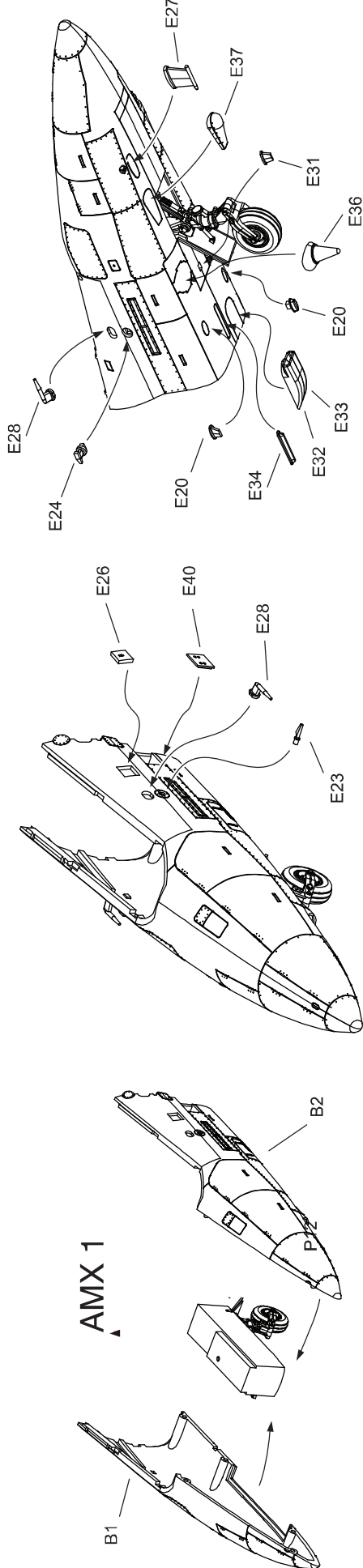


1

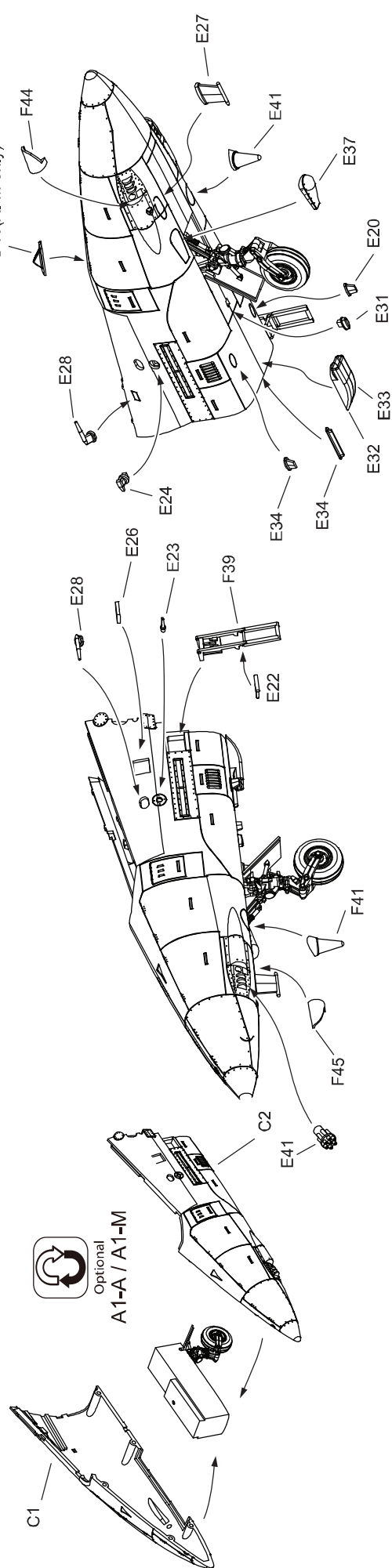
2

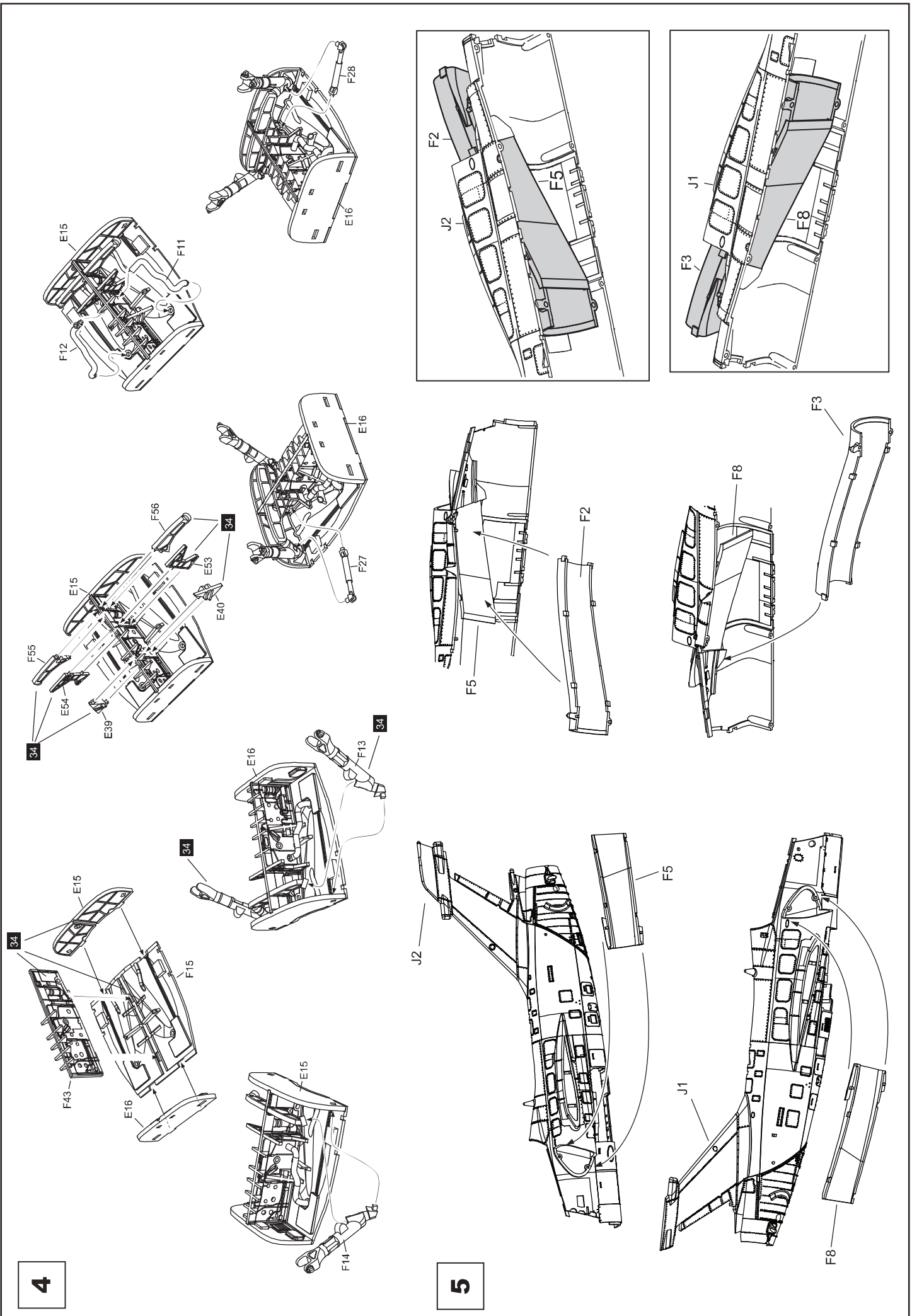


3



C1

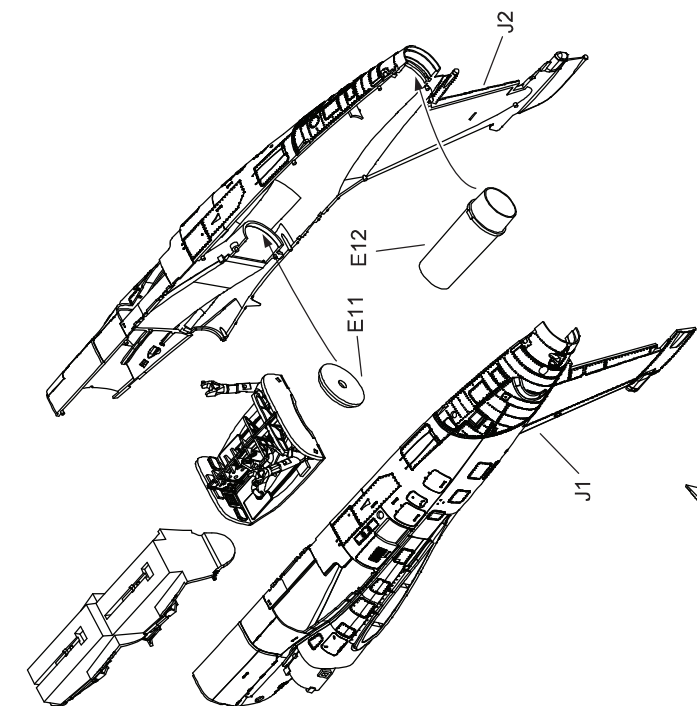
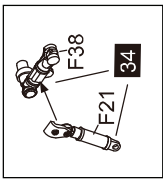
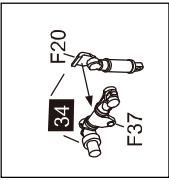




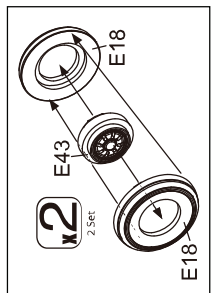
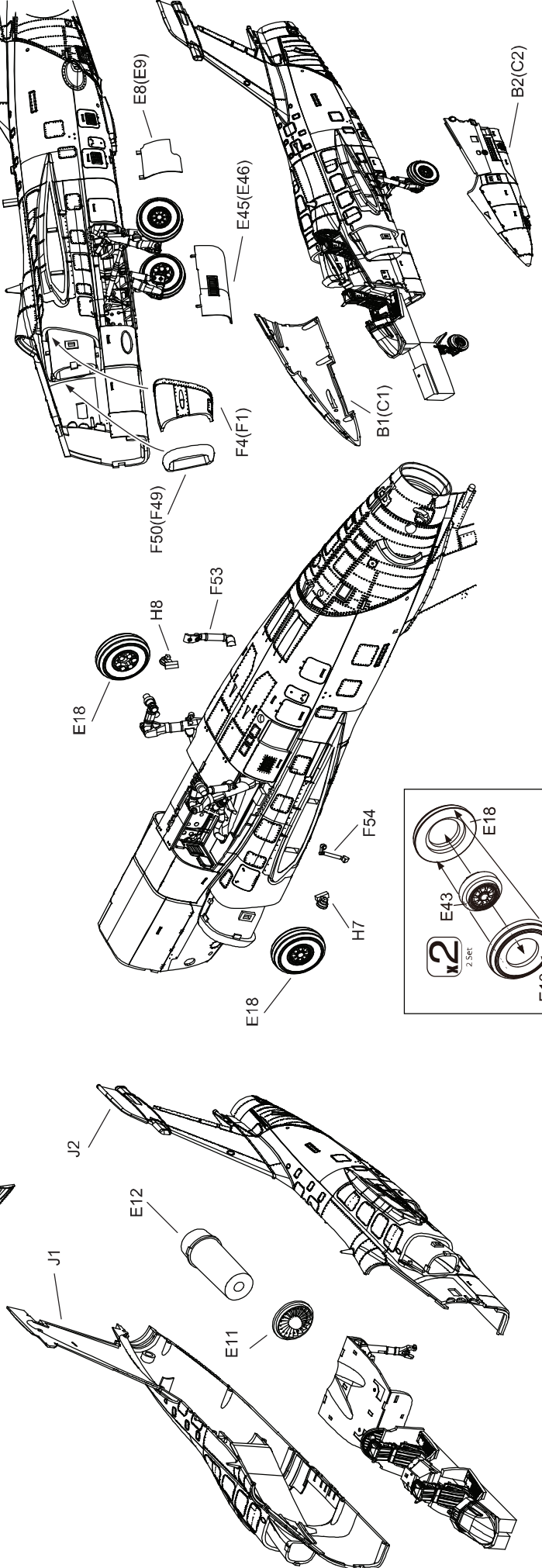
**4**

**5**

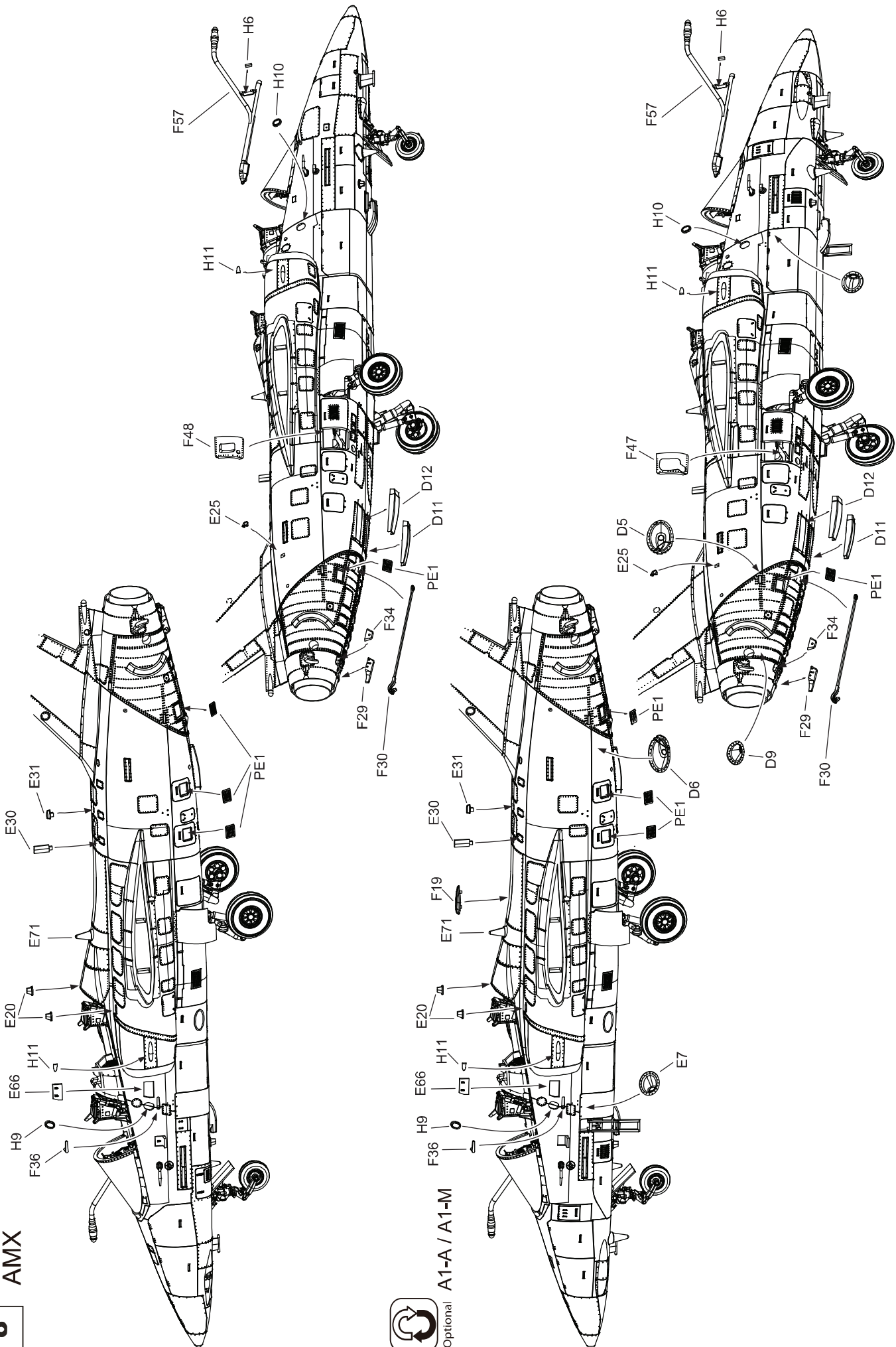
7



6



AMX



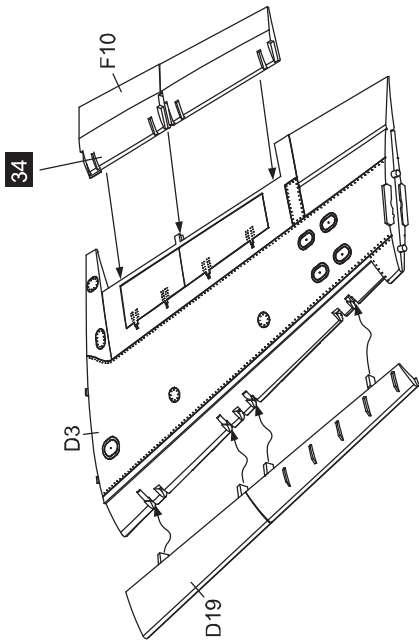
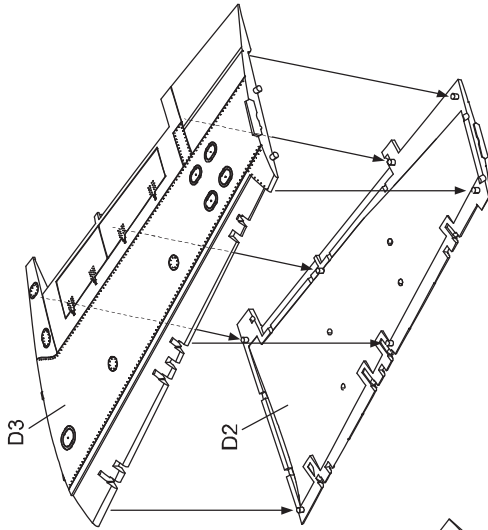
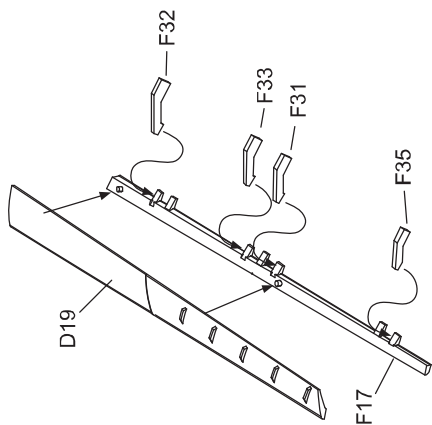
Optional A1-A / A1-M



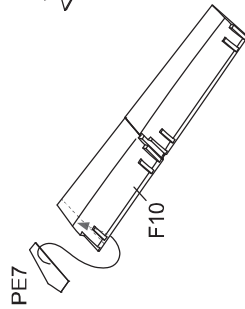
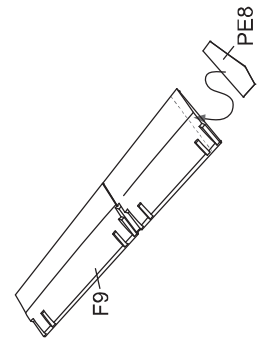
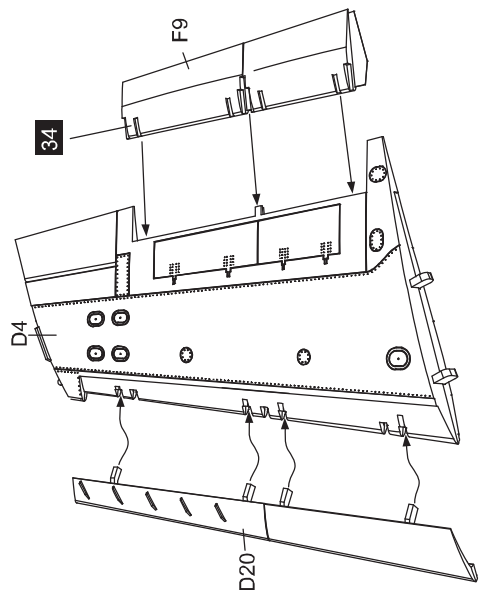
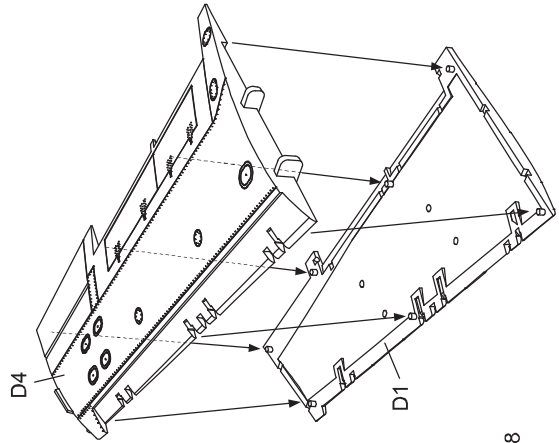
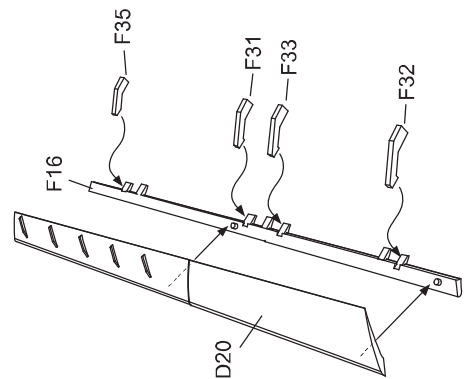
Retracted Flaps

Optional

Left Wing



Right Wing



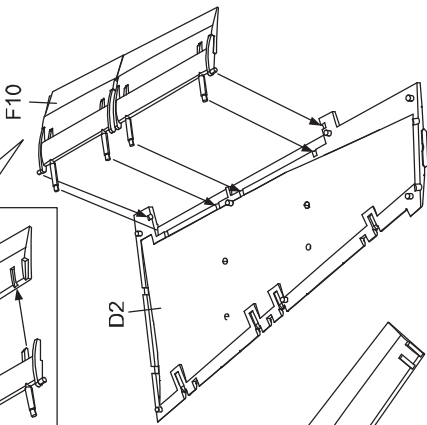
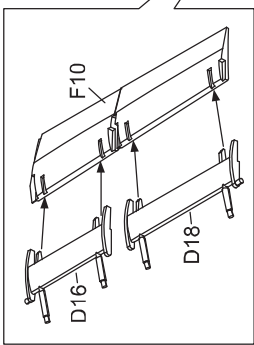
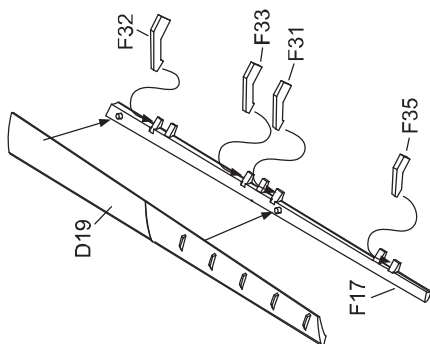




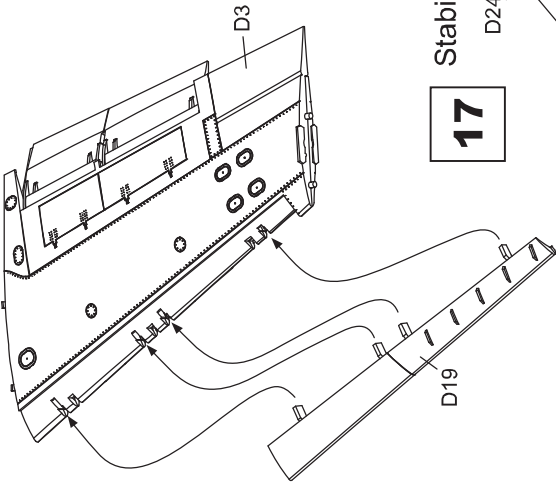
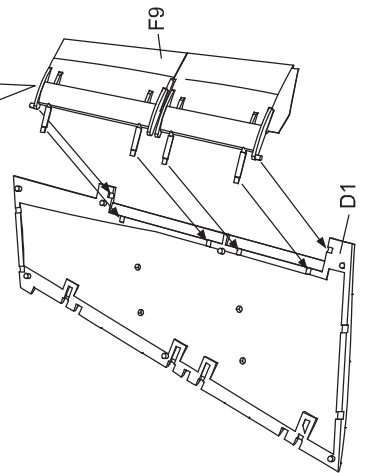
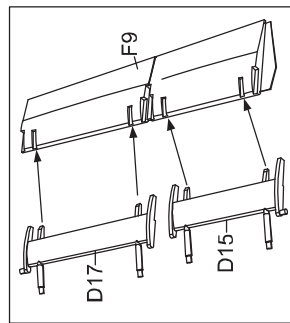
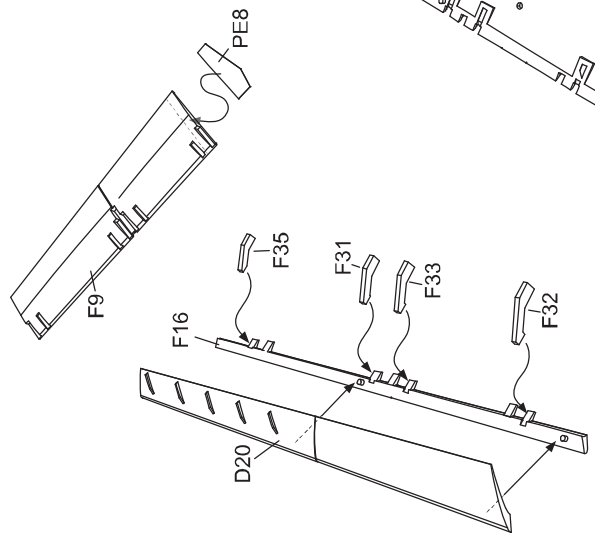
Extended Flaps

10

Left Wing

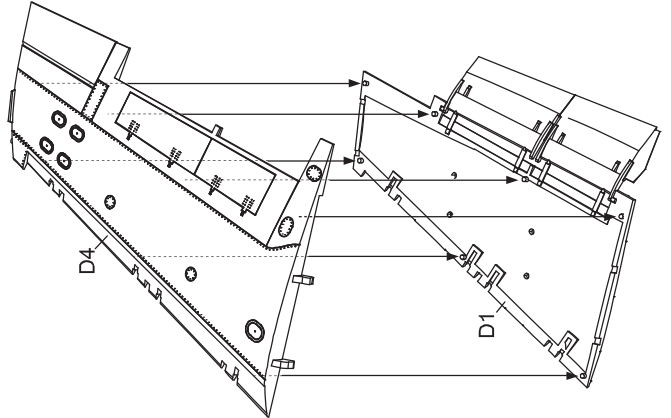
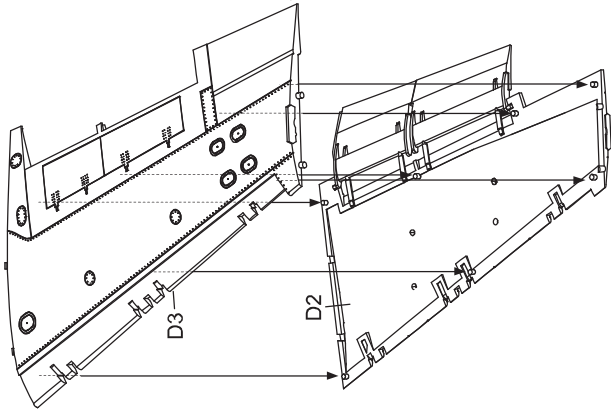
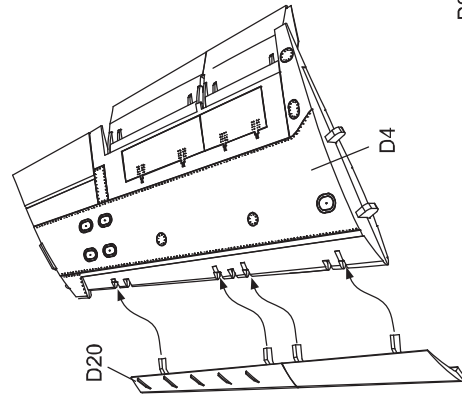
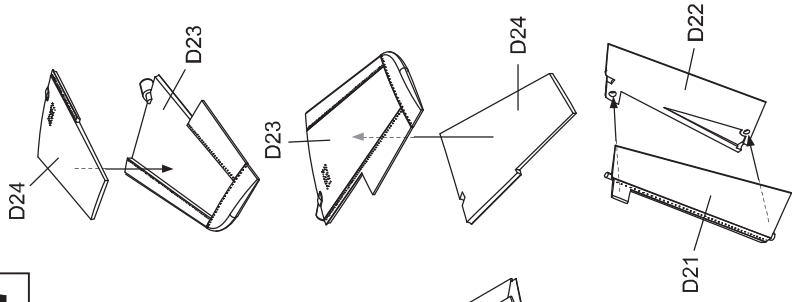


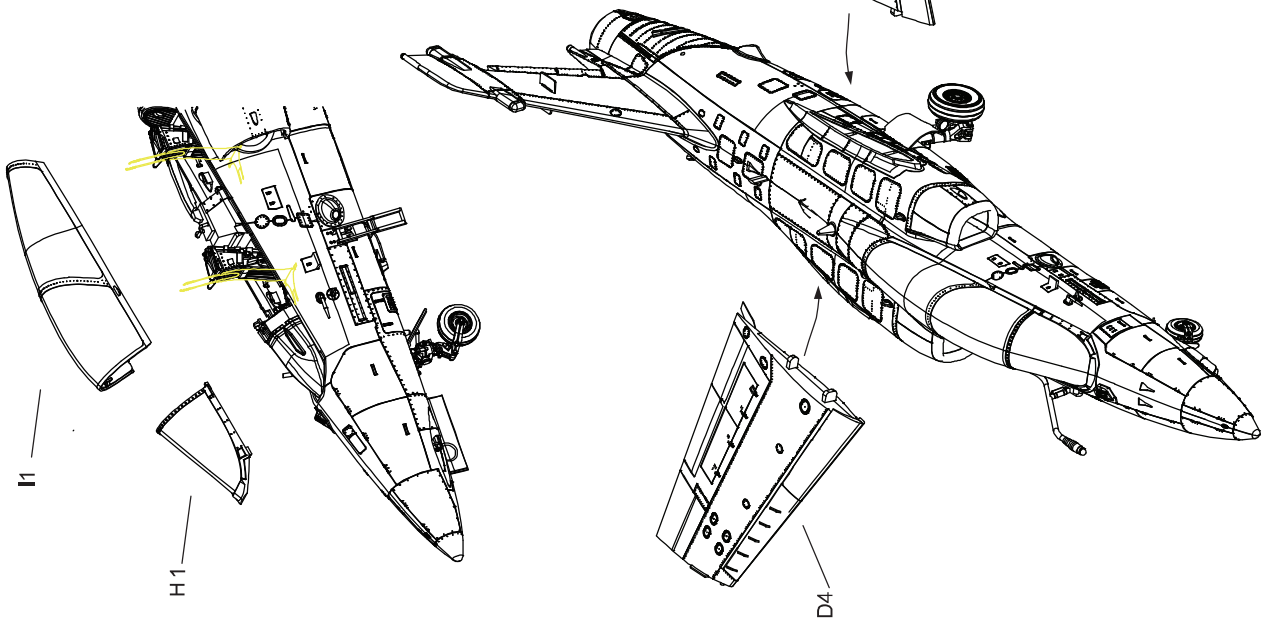
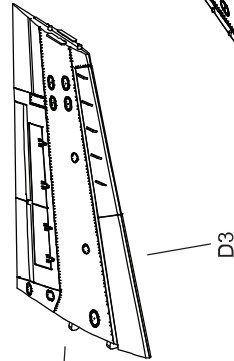
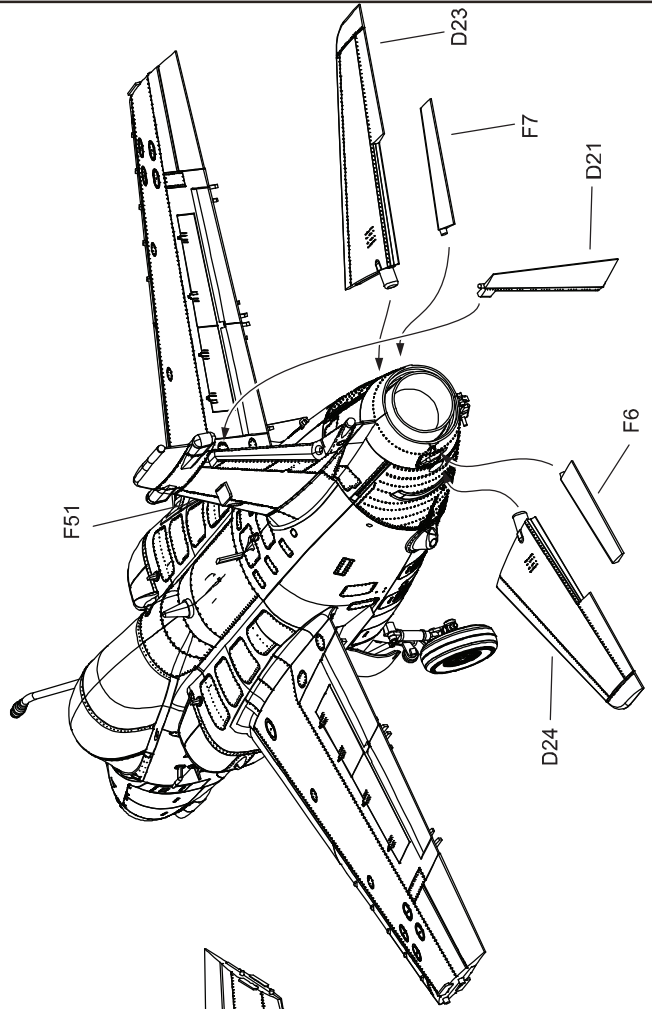
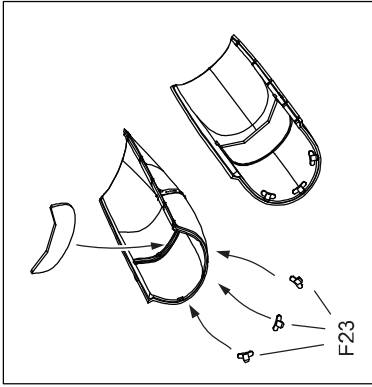
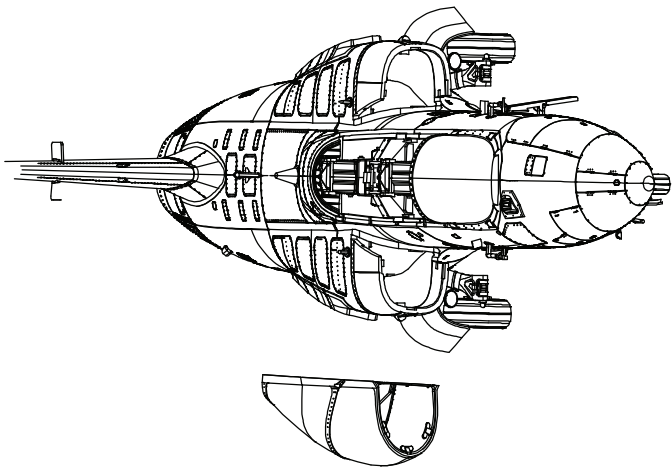
Right Wing



17

Stabilizer / Rudder

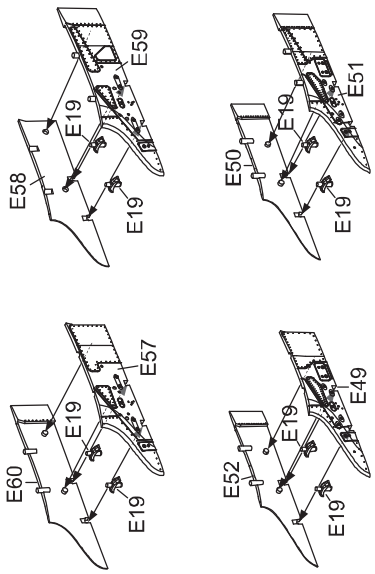




11

12

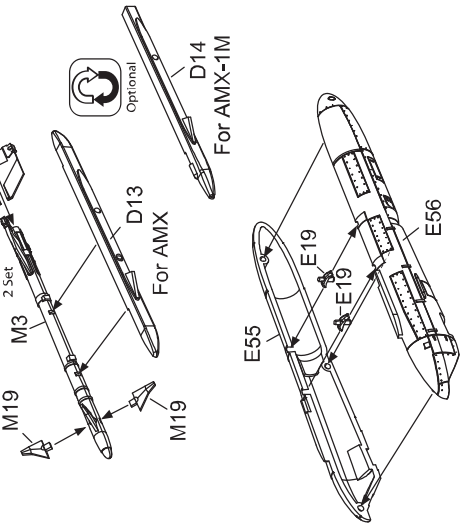
13



x2  
2 Set

M3

M14



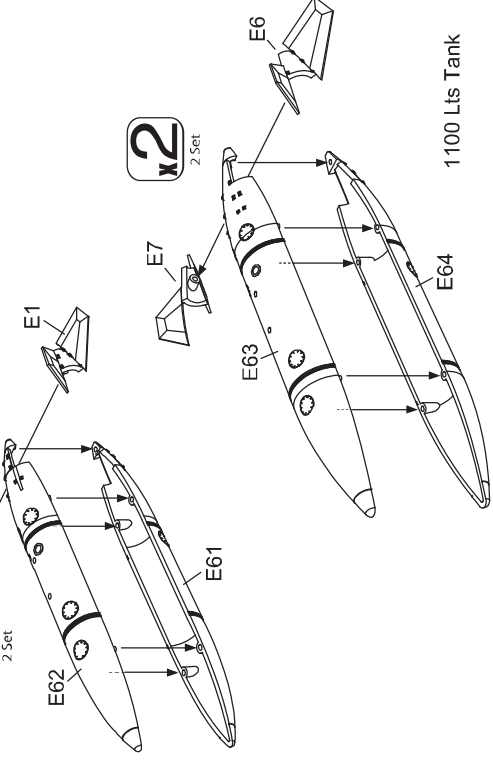
x2  
2 Set

E2

E1

E62

E61

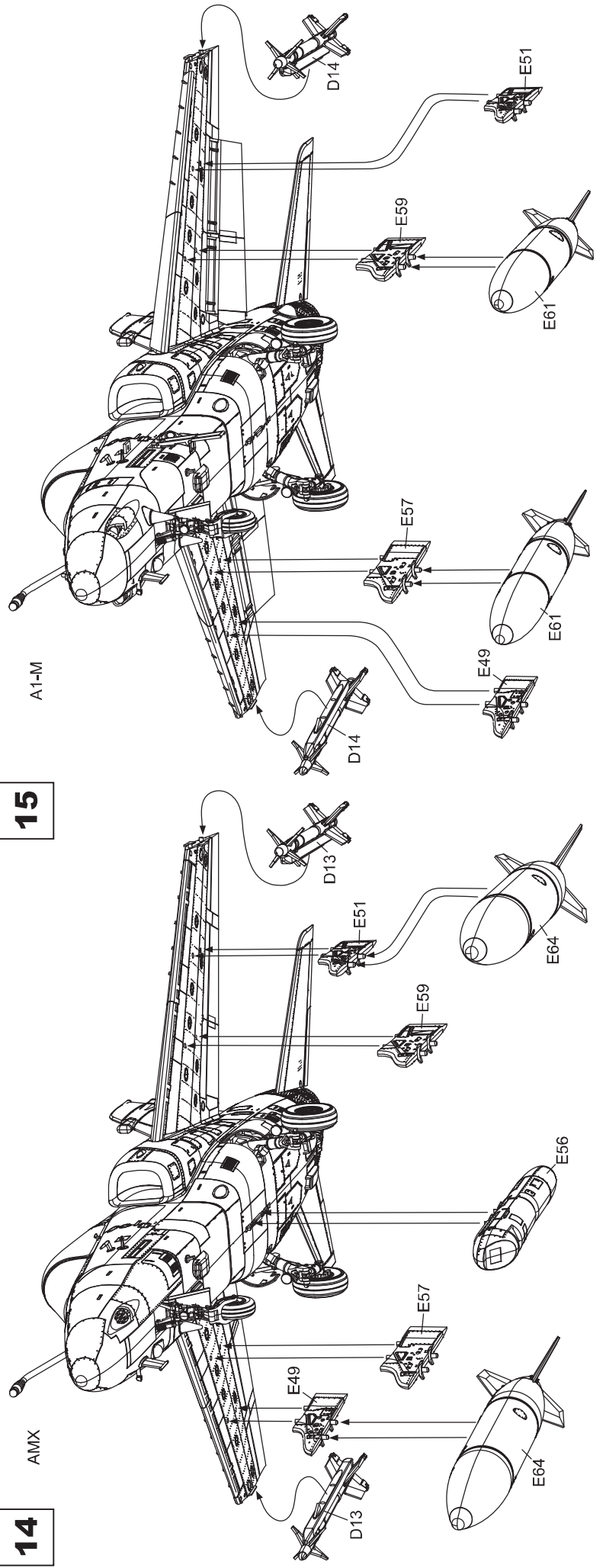


14

AMX

15

A1-M







Aeritalia - Aermacchi - Embraer AMX-T  
32° Stormo - 101° Gruppo  
Italy - 2001

