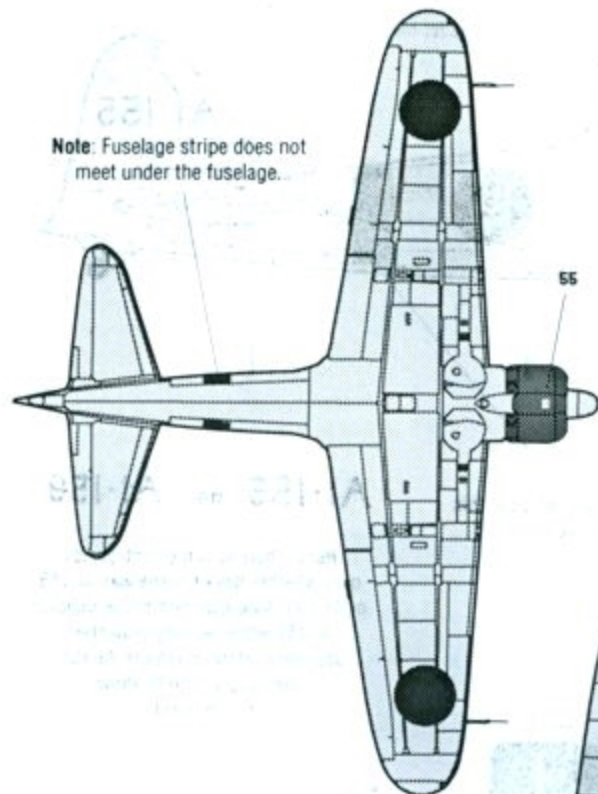


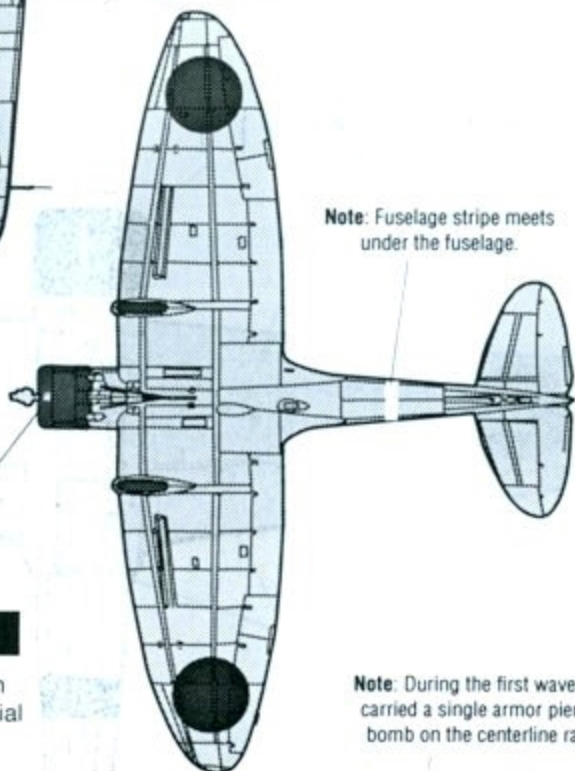
General Painting Instructions

The aircraft featured on this sheet are both overall glossy I.J.N. Gray with black noses. It should be noted that new aircraft were used in the Pearl Harbor raid so the aircraft would exhibit little weathering. There is much controversy over cockpit colors, but it appears that light olive green F.S. 34151 is the correct color for both aircraft. Non-cockpit interior areas (cowlings, gear wells, etc.) should be the translucent blue/green color over bare metal. Cockpit decking behind the seat of the Zero should be dark grey. Propellor blades are polished metal in front with flat dark brown or flat black aft surfaces. The Zero propellor spinner is flat silver. See kit instructions for other details.

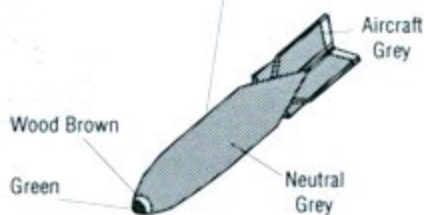
Note: Fuselage stripe does not meet under the fuselage.



Note: Fuselage stripe meets under the fuselage.



Note: During the first wave, Vals carried a single armor piercing bomb on the centerline rack.



References:

Japanese cockpits Pt. II, Robert Mikesh
Camouflage and markings of the Imperial Japanese Navy
Fighters in WWII #272, Model Art Co.
Pearl Harbor #378 Model Art Co.
At Dawn We Slept, Gordon Prange
Attack on Pearl Harbor, Larry Kimmitt, Margaret Regis
Tora! Tora! Tora! Pearl Harbor—The aircraft the airmen December 7th, 1941, Don Thorpe with Ed Maloney
Fine Molds D4Y1 Judy instructions

Copyright © 1996 All Rights Reserved

1/48 SCALE

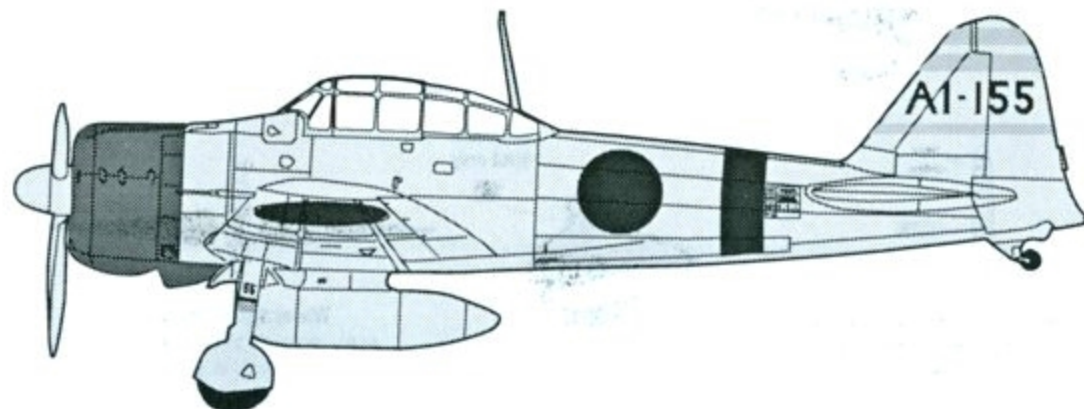
Yellowhammer
Models

#Y48-08

VAL / ZERO

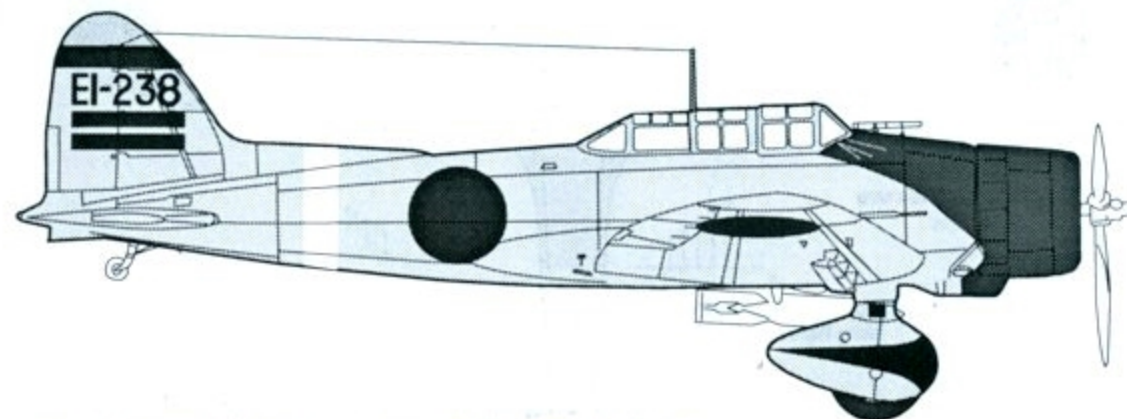
STRIKE LEADERS

These two aircraft led the fighter and dive bombing groups of the First Air Fleet's first wave on December 7th, 1941.



A6M2 Zero piloted by LCDR Shigeru Itaya

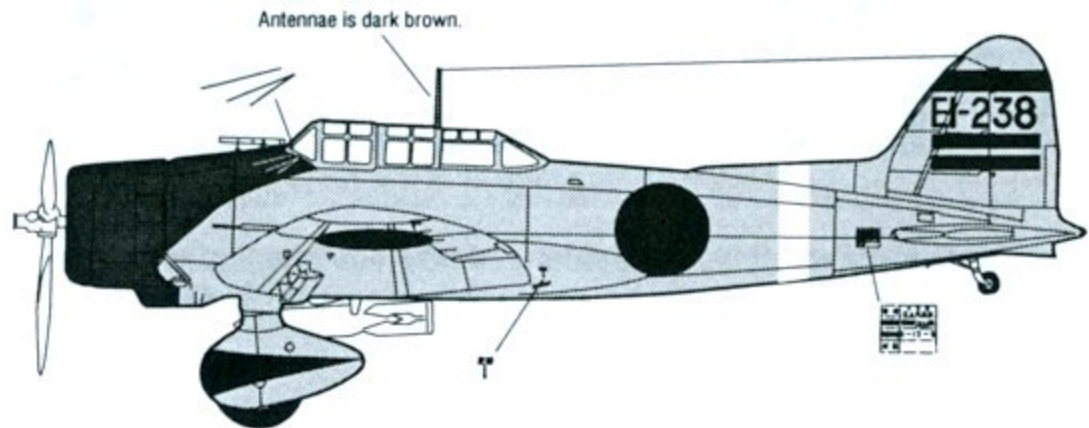
AI-155 piloted by LCDR Shigeru Itaya was the first aircraft launched in the attack. Their primary mission was fighter escort and the strafing of ground targets. LCDR Itaya was later shot down over the Kuriles by Imperial Japanese Army pilots.



D3-A2 Val piloted by LCDR Kakuichi Takahashi

EI-238 piloted by LCDR Kakuichi Takahashi led the dive bomber contingent of the first wave. Val aircraft of the first wave totalled 51, 26 from the Shokaku and 25 from the Zuikaku. Targets included Ford Island, Hickam Air Base, and Wheeler Air Base.

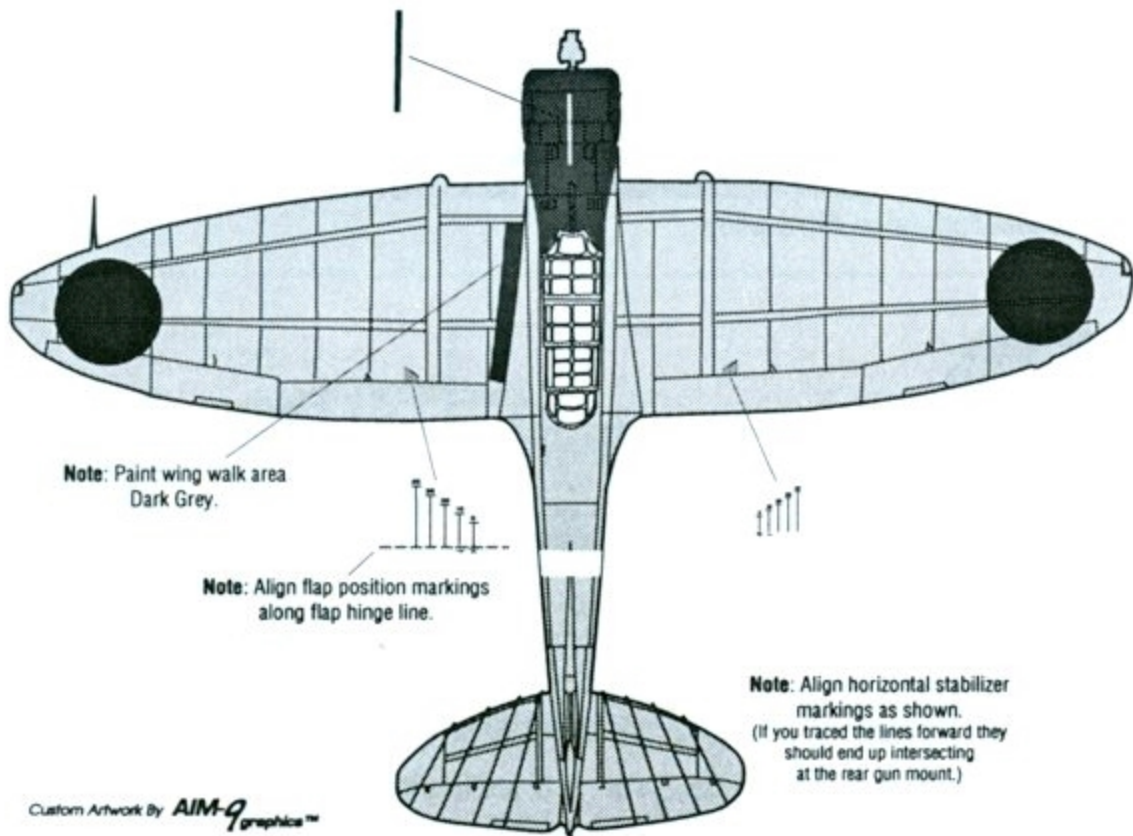
D3A2 Val piloted by LCDR Kakuichi Takahashi



Note: Apply yellow decal before white squares and offset them as shown.

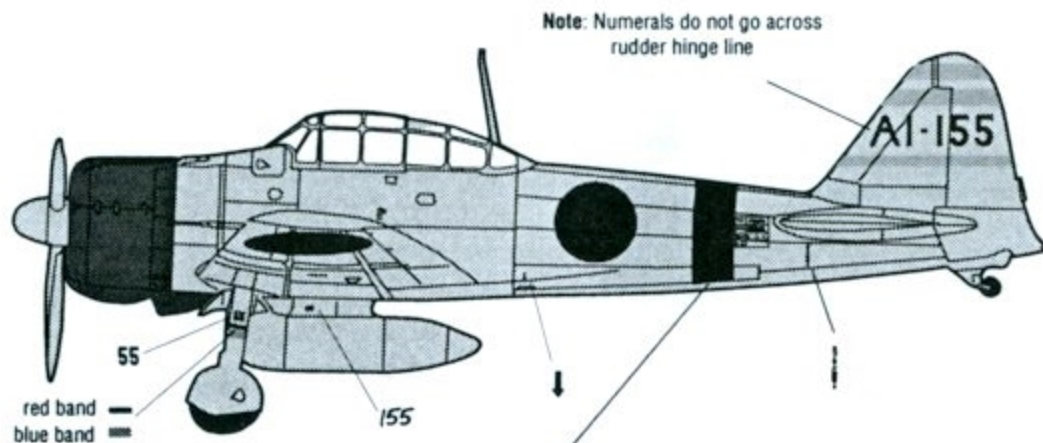


Wheel Spat Markings:
Apply center decal first, then apply side decals as shown.



Custom Artwork By AIM-9 graphics™

A6M2 Zero piloted by LCDR Shigeru Itaya



Note: Fuselage band stops at this panel line.

AI-155 OR AI-159

Note: There is some controversy over whether Itaya's plane was AI-155 or AI-159. American references indicate AI-159 while recently published Japanese references refer to AI-155. We supply both to allow you to decide.

Note: These lines are offset from machine gun ports.

