

**MONOGRAM**

KIT 2385

85238500200

# '58 Ford Thunderbird Convertible 2 'n 1

One of the more controversial designs of the 1950s, the '58 Thunderbird has withstood the test of time and proved itself as a milestone automobile. Shunned by some car enthusiasts when it debuted, over the years it has finally been given the recognition it deserves as a collectible car. It was also a resounding sales success in a year which was dismal for the auto industry as a whole.

The four-seater Thunderbird was one of the first in a long string of what eventually became known as "personal luxury" cars. It wasn't long before the customizers of the era started looking at it as the perfect canvas for their wild versions of what they thought a personal car should look like. Before long, the new 'Birds were showing up on the car show circuit spouting everything from bubble tops to toothy grilles.

Your 1958 Thunderbird kit gives you the choice of building your car the way the designers of Detroit intended it, or going a little crazy and make it the way you thought it should have looked.



\* REPEAT SEVERAL TIMES  
\* A REPETER PLUSIEURS FOIS



\* OPTIONAL PARTS  
\* PECES EN OPTION



\* DECAL  
\* DECAL COMME



\* ALTERNATIVE ASSEMBLY  
\* ENSEMBLAGE ALTERNATIVE



\* CEMENT TOGETHER  
\* A COLLER



\* REMOVE AND THROW AWAY  
\* A RETIRER ET JETER



\* DO NOT CEMENT  
\* NE PAS COLLER

**READ THIS BEFORE YOU BEGIN**

- Study the assembly drawings.
- Each plastic part is identified by a number.
- In the assembly drawings, some parts will be marked by a star (★) to indicate chrome plated plastic.
- For better paint and decal adhesion, wash the plastic parts in a mild detergent solution. Rinse and let air dry.
- Check the fit of each piece before cementing in place.
- Use only cement for polystyrene plastic.
- Scrape plating and paint from areas to be cemented.
- Allow paint to dry thoroughly before handling parts.
- Any unused parts may be discarded.

**DECAL APPLICATION INSTRUCTIONS**

1. Cut desired decal from sheet.
2. Dip decal in water for a few seconds.
3. Place wet decal on paper towel.
4. Wait until decal is movable on paper backing.
5. Place decal in position on model, face up and slide backing away.
6. Press out air bubbles with a soft damp cloth.
7. Milkiness that may appear is for better decal adhesion and will dry clear. Wipe away any excess adhesive.
8. Do not touch decal until fully dry.
9. Allow the decals 48 hours to dry before applying clear coat.

**LIRE CE QUI SUIT AVANT DE COMMENCER**

- Etudier les schémas de montage.
- Chaque pièce en plastique est identifiée par un numéro.
- Sur les schémas de montage, certaines pièces sont marquées d'une étoile (★) pour indiquer qu'elles sont en plastique chromé.
- Pour une meilleure prise de la peinture et des autocollants, laver les pièces en plastique avec une solution détergente peu concentrée. Les rincer et les laisser sécher à l'air.
- Vérifier que chaque pièce s'ajuste bien avant de la coller en place.
- N'utiliser que de la colle pour polystyrène.
- Gratter les parties à coller pour enlever le chrome et la peinture.
- Laisser la peinture bien sécher avant de manipuler les pièces.
- Toute pièce inutilisée peut être jetée.

**DIRECTIVES D'APPLICATION DES AUTOCOLLANTS**

1. Découper l'autocollant désiré de la feuille.
2. Tremper l'autocollant dans de l'eau pendant quelques secondes.
3. Placer l'autocollant mouillé sur une serviette en papier.
4. Attendre que l'autocollant puisse être déplacé sur son support en papier.
5. Mettre l'autocollant en position sur le modèle face sur le dessus et faire glisser le support pour l'enlever.
6. Appuyer avec un chiffon doux humide pour éliminer les bulles d'air.
7. La substance laiteuse qui peut apparaître est destinée à améliorer l'adhésion de l'autocollant et devient incolore au séchage. Essuyer pour enlever tout excédent d'adhésif.
8. Ne pas toucher l'autocollant tant qu'il n'est pas bien sec.
9. Laisser l'autocollant sécher pendant 48 heures avant d'appliquer une couche transparente.

**This optional paint guide is provided if you choose to detail paint your model.**

*Ce guide de peinture vous sera fourni si vous choisissez de peindre votre modèle en détail.*

Aluminum	Aluminum
Engine Blue	Bleu moteur
Flat Black	Noir mat
Gloss Black	Noir lustré
Gloss Purple	Pourpre lustré
Gloss Red	Rouge lustré
Gunmetal	Bronze
Satin Black	Noir satiné
Satin White	Blanc satiné
Steel	Acier

**If you have any questions or comments, call our hotline at: (800) 833-3570  
or, please write to:**

**Revell-Monogram Consumer Service Department, 8601 Waukegan Road, Morton Grove, Illinois 60053**

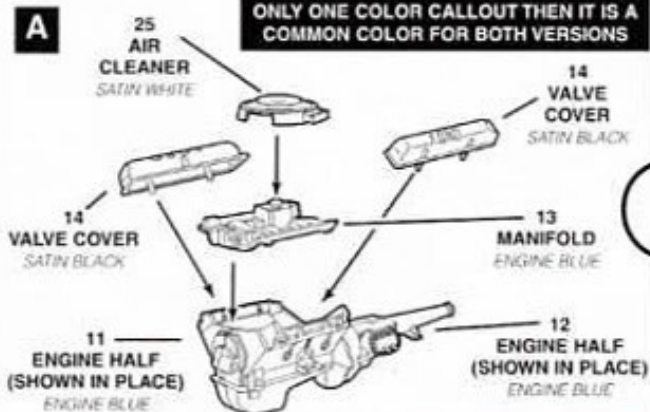
*Be sure to include the plan number (85238500200), part number, description, your return address and phone number.*

**Visit our website: [www.revell-monogram.com](http://www.revell-monogram.com)**

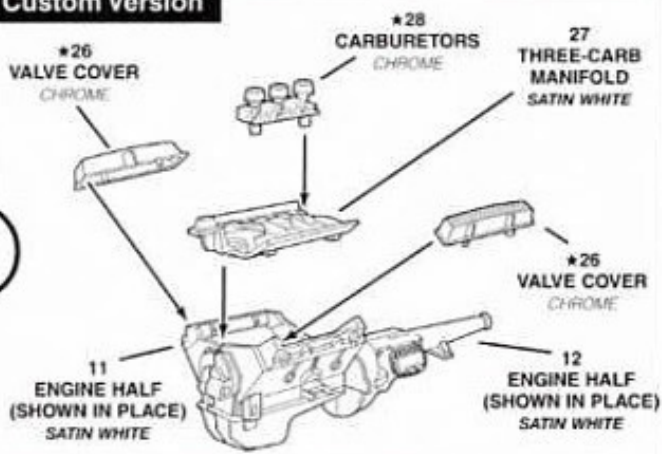
# 1 ENGINE AND FRONT CHASSIS ASSEMBLY

## Stock Version

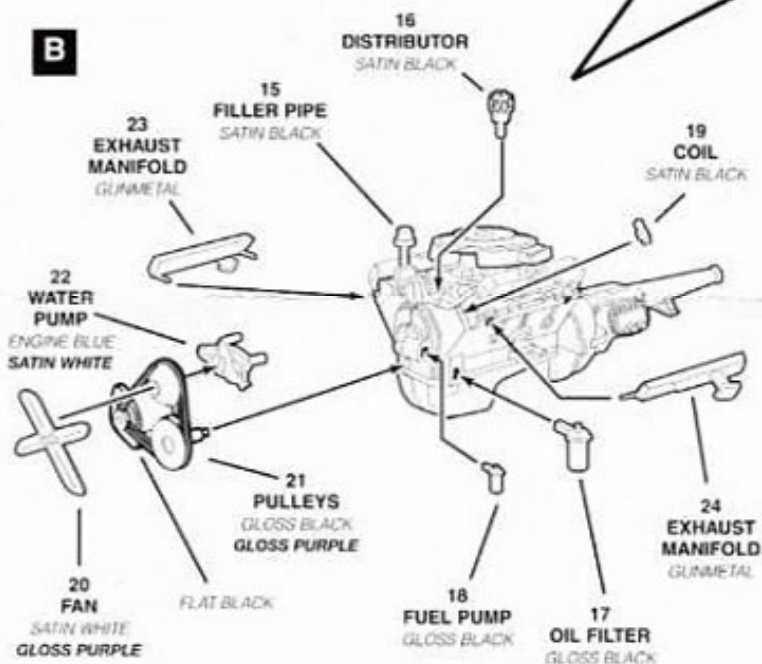
**PAINTING NOTE: CUSTOM PAINTING DETAILS ARE IN BOLD ITALIC. IF THERE IS ONLY ONE COLOR CALLOUT THEN IT IS A COMMON COLOR FOR BOTH VERSIONS**



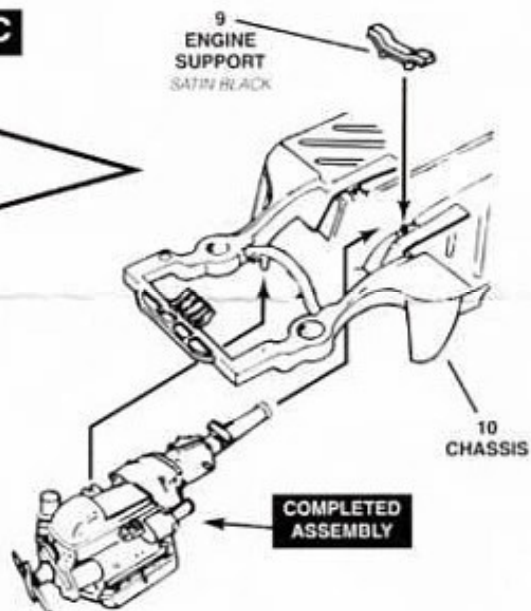
## Custom Version



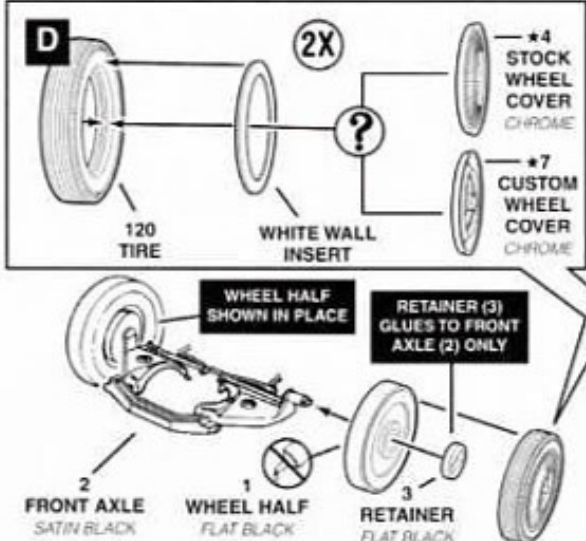
## B



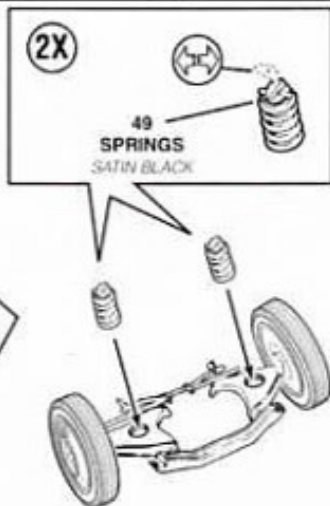
## C



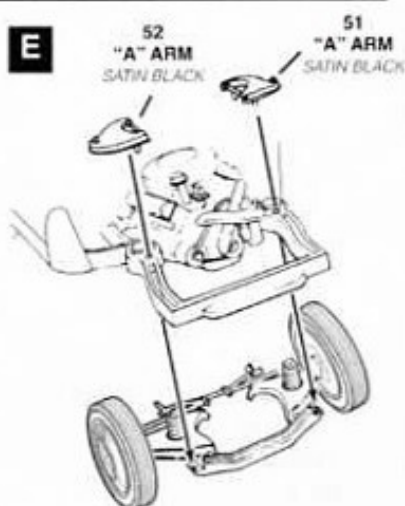
## D



## E



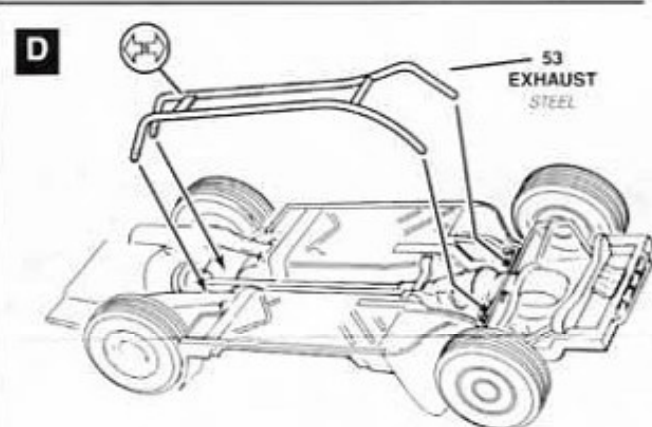
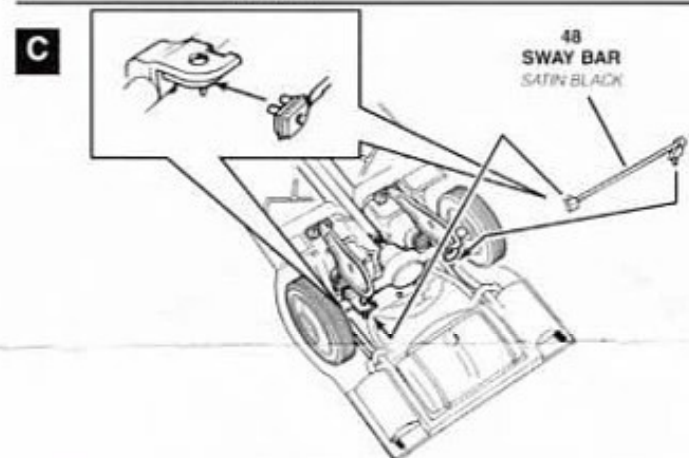
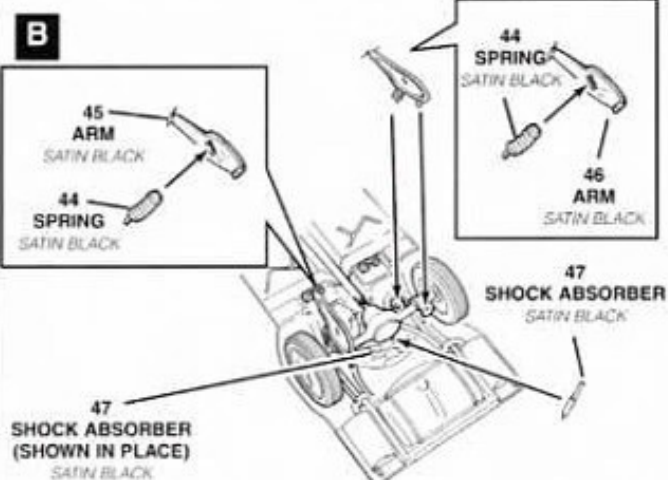
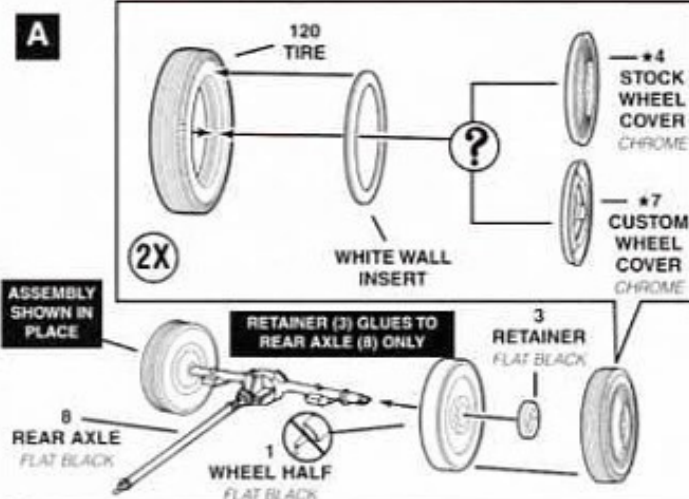
## E





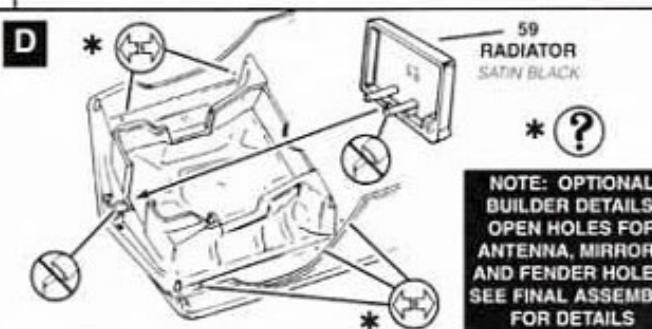
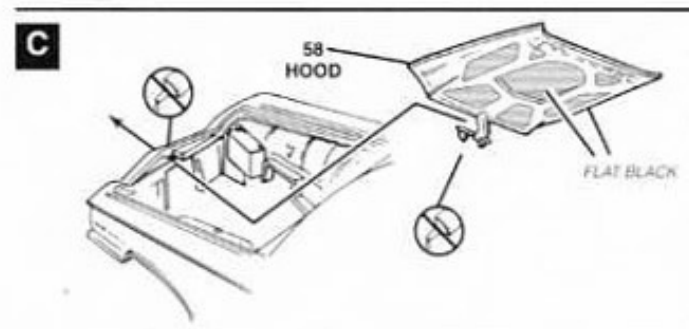
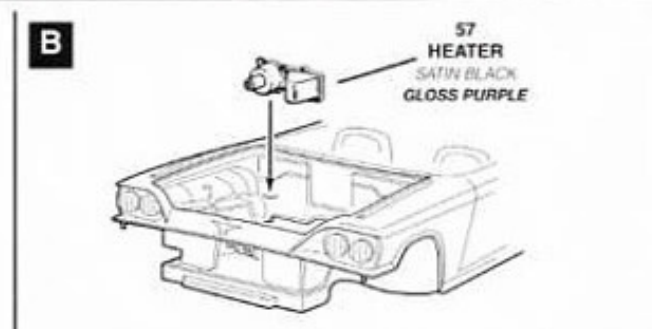
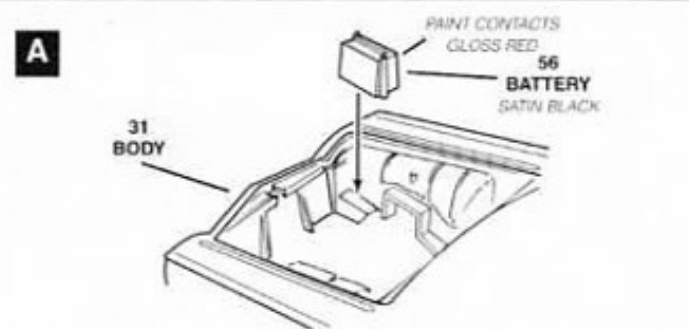
# 2

# REAR CHASSIS ASSEMBLY



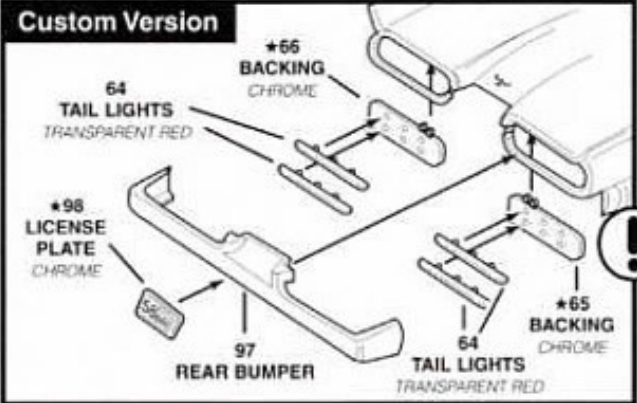
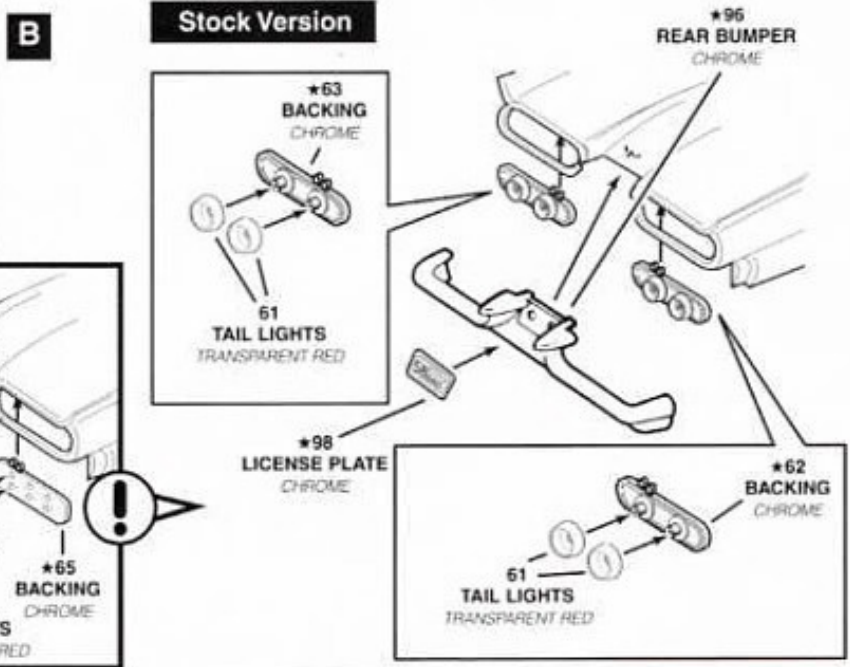
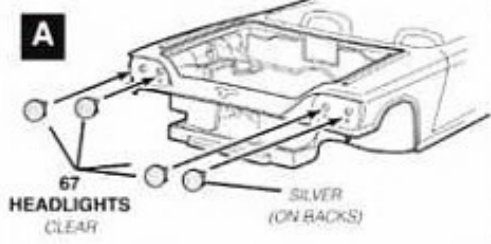
# 3

# ENGINE ACCESSORIES ASSEMBLY



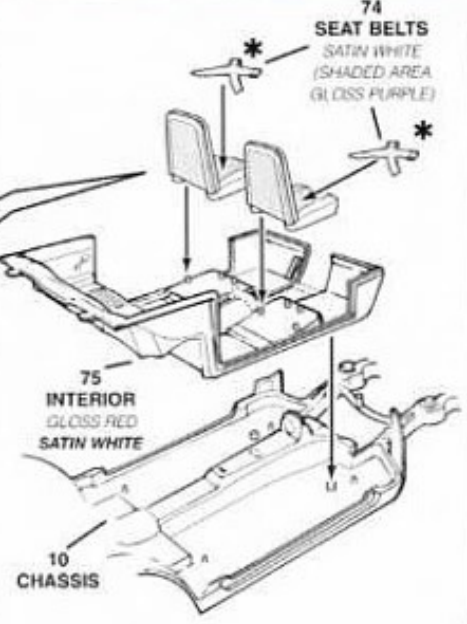
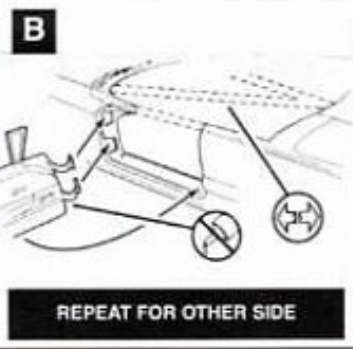
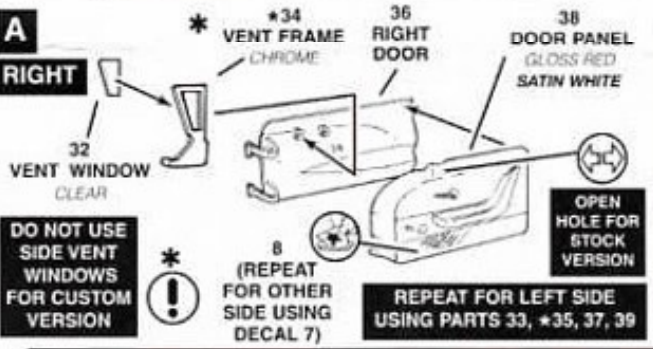
# 4

# LIGHTS AND BUMPER ASSEMBLY



# 5

# INTERIOR ASSEMBLY

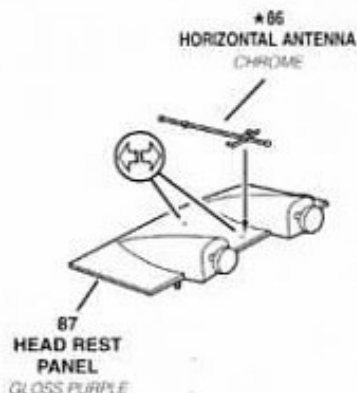




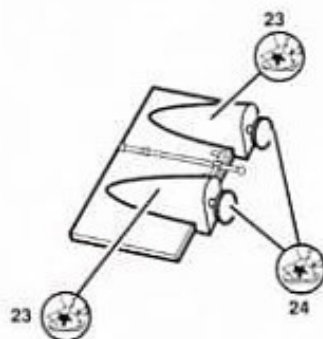
# 6

## CUSTOM ASSEMBLY

**A**



**B**



# 7

## CUSTOM WINDSHIELD ASSEMBLY

**A**

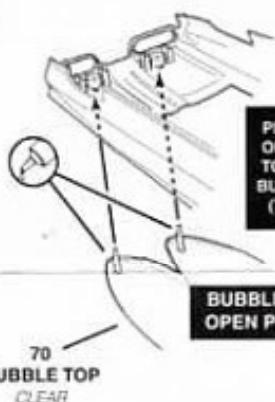
71  
TOP PIVOTS  
CLEAR

PIVOTS (71) ONLY  
GLUE TO PINS  
ON BUBBLE TOP  
(70) ONLY. SEE  
STEP 6B



CUT OUT HOLES  
FOR BUBBLE TOP

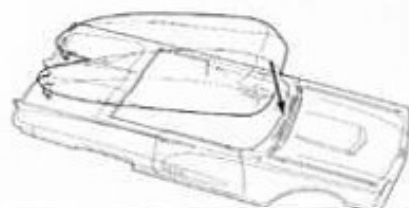
**B**



PIVOTS (71)  
ONLY GLUE  
TO PINS ON  
BUBBLE TOP  
(70) ONLY.

BUBBLE TOP IN  
OPEN POSITION

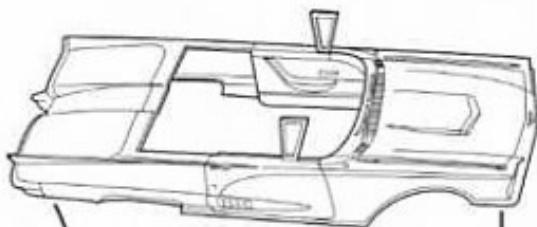
**C**



# 8

## BODY ASSEMBLY

MODELING NOTE: VENTS MAY BE SAND-  
ED OFF FOR THE CUSTOM VERSION



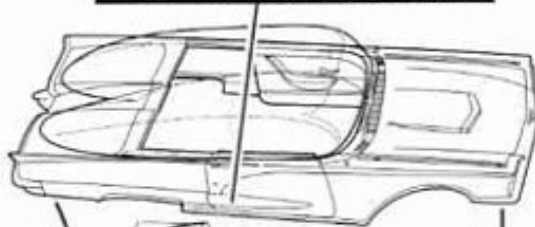
6

5

3  
(REPEAT  
FOR OTHER  
SIDE USING  
DECAL 4)



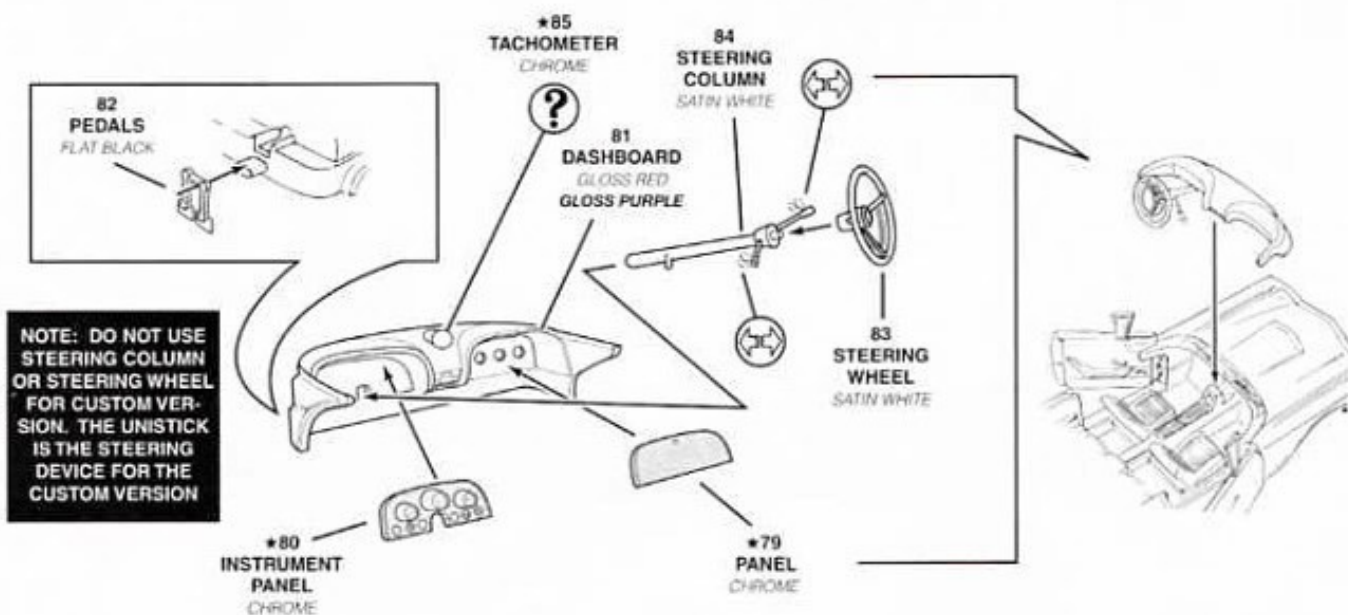
11  
(REPEAT  
FOR OTHER  
SIDE USING  
DECAL 12)



FIRST

# 9

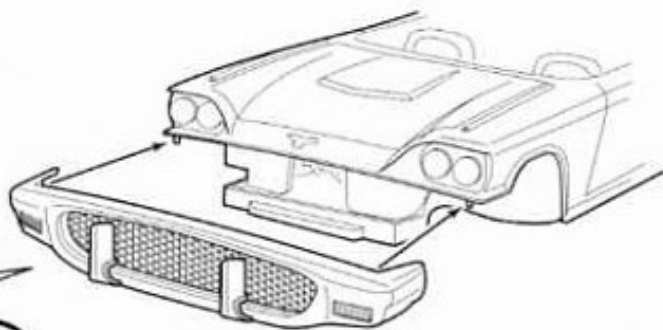
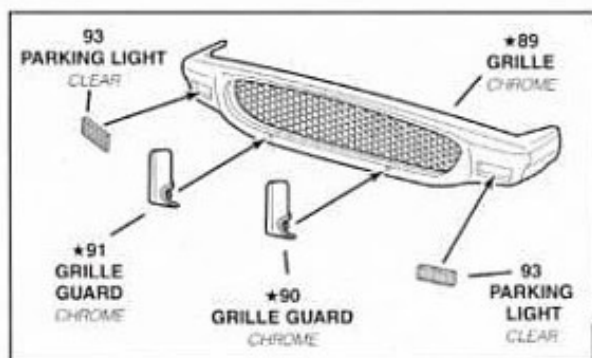
# DASHBOARD ASSEMBLY



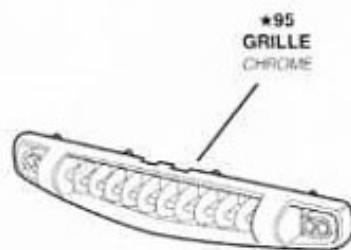
# 10

# FINAL ASSEMBLY

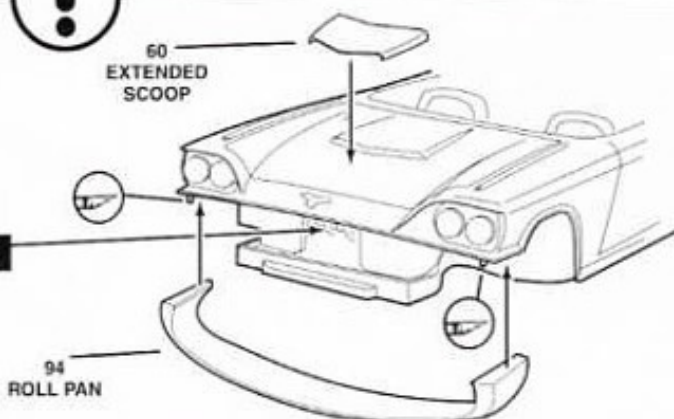
**A**



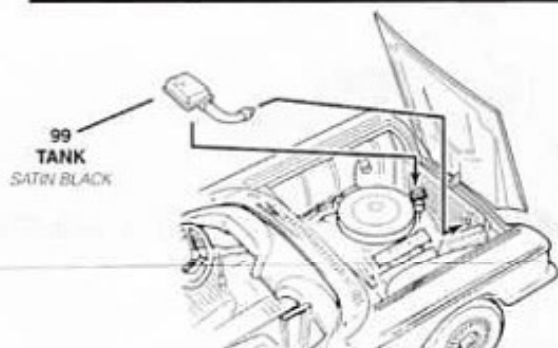
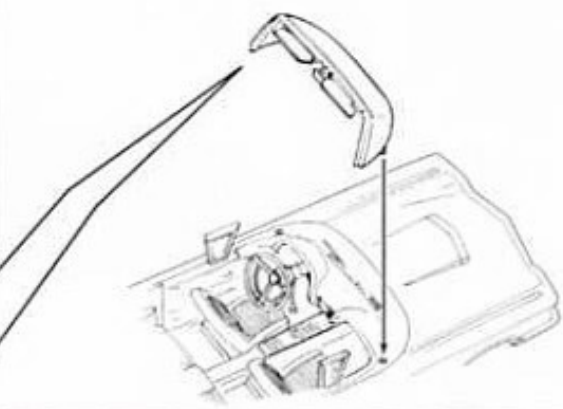
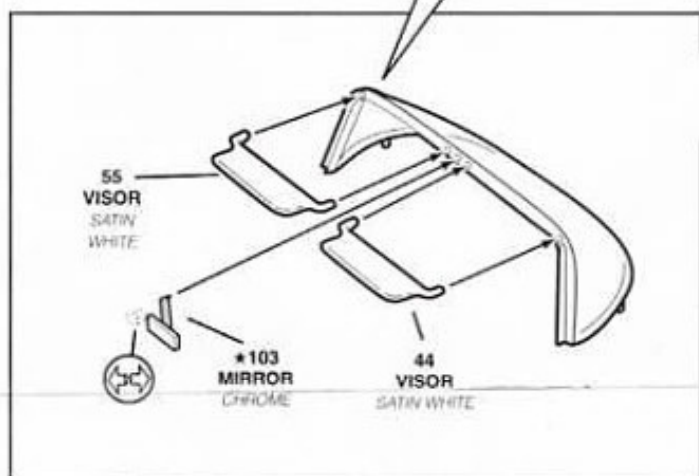
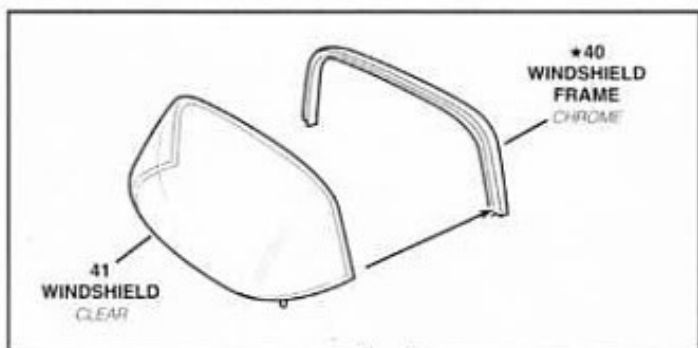
**Custom Version**



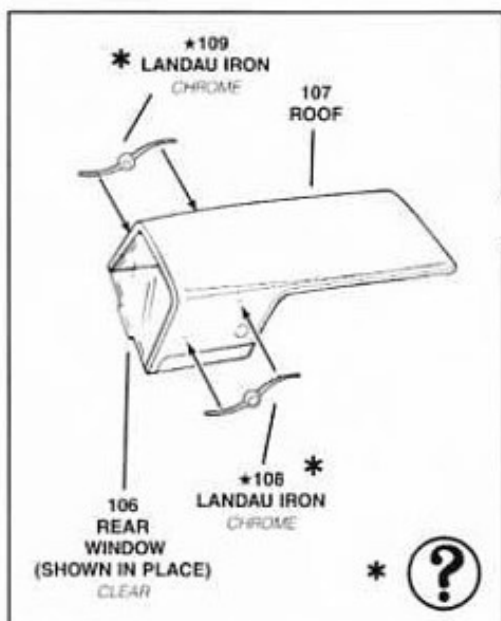
**FIRST**



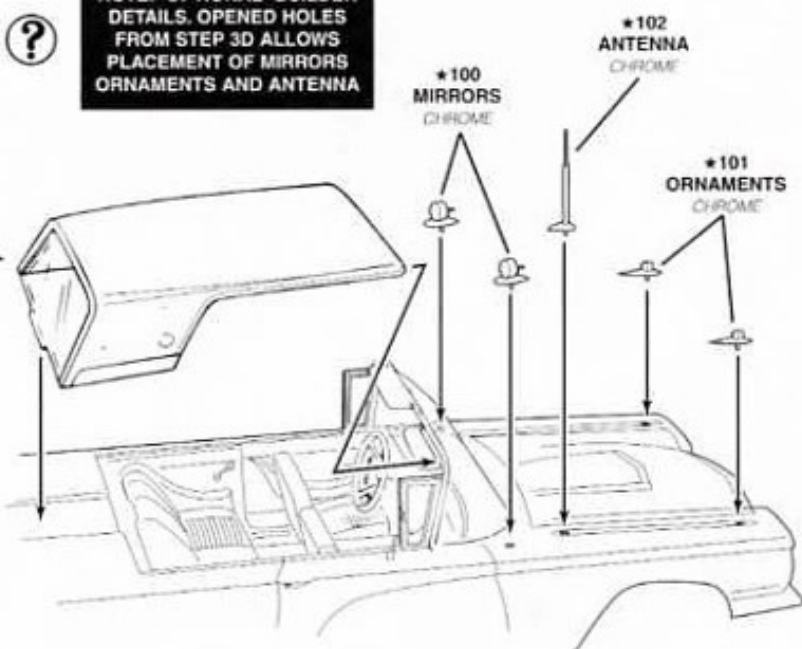
**B**



**C**



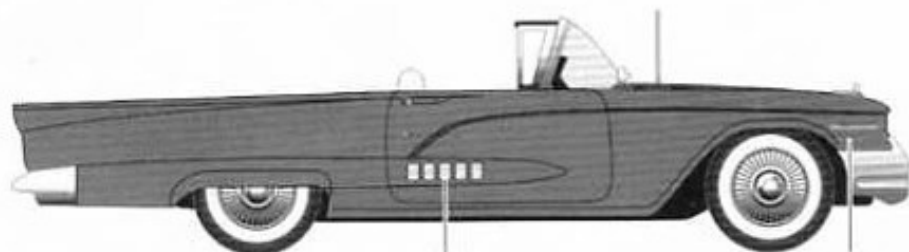
NOTE: OPTIONAL BUILDER DETAILS. OPENED HOLES FROM STEP 3D ALLOWS PLACEMENT OF MIRRORS ORNAMENTS AND ANTENNA





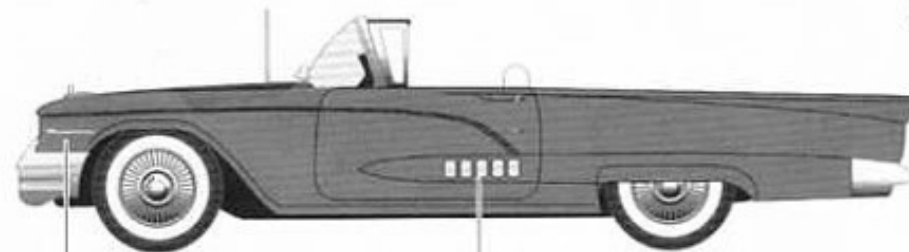


## Stock Version



35

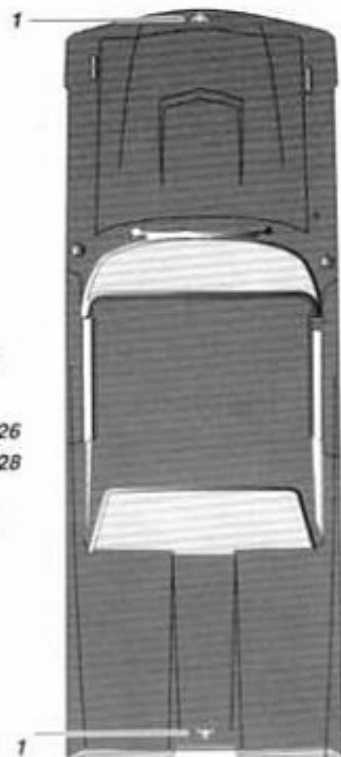
2



2

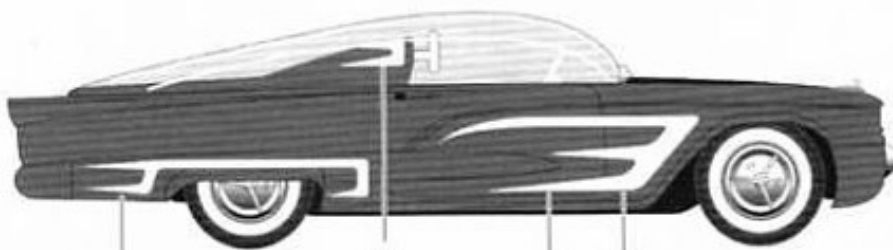
35

25 or 26  
27 or 28



1

## Custom Version

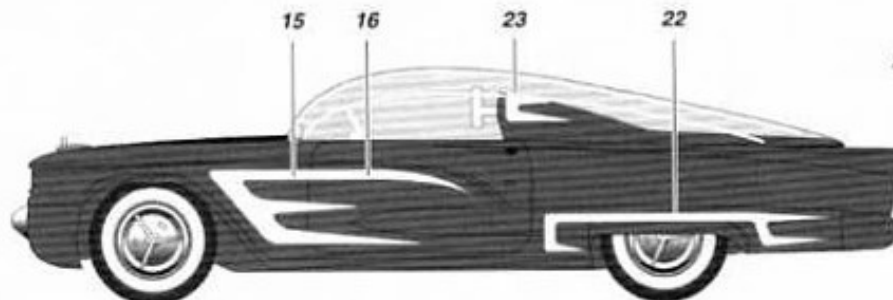


21

23

14

13



15

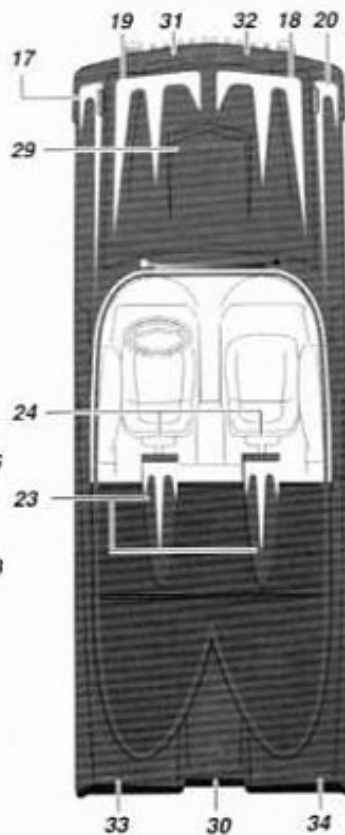
16

23

22

25 or 26

27 or 28



17

19

31

32

18

20

29

24

23

33

30

34