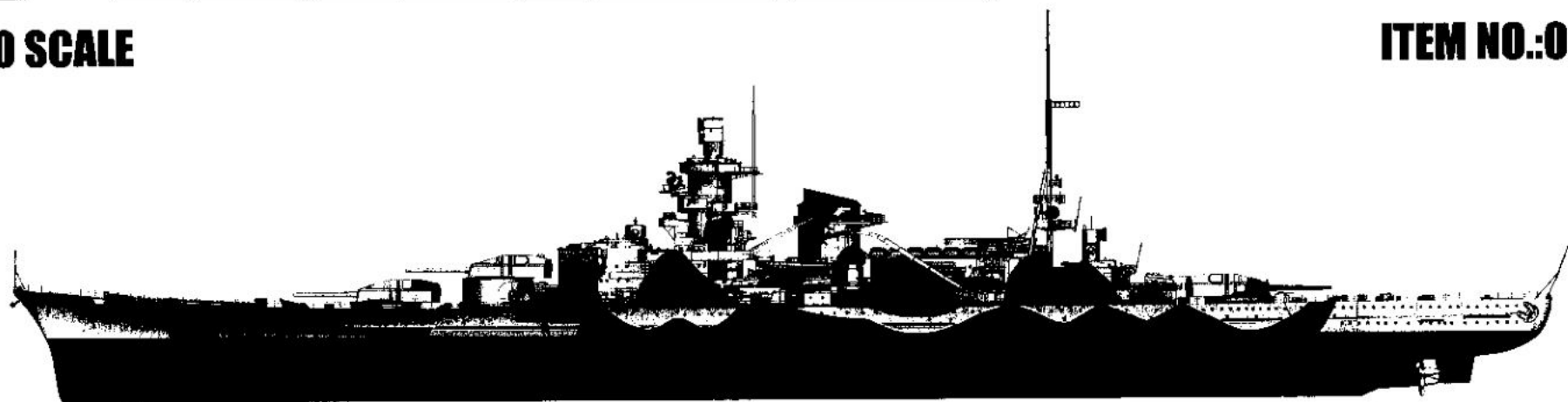


1/200 SCALE

ITEM NO.:03715



# German Scharnhorst Battleship

## 德国沙恩霍斯特战列舰

### READ BEFORE ASSEMBLY:

- This kit is not recommended for inexperienced modelers or for children under 14 years of age
- Study and understand these instructions thoroughly before beginning assembly
- When needed, remove photo-etch parts carefully using a modeling knife or photo etch sprue cutter, being careful not to damage or lose small parts.
- Take extra care in handling photo etch parts in order to avoid injury
- Apply instant cement sparingly to photo etch parts where instructed

- Tools recommended(not included in kit):Plastic and instant cements,sprue cutters,long nose pliers,modeling knife, small files, tweezers, pin vise & scissors. Soft cloth and sandpaper will also assist in construction
- Glue and paint are not included in the kit. Use plastic cement and hobby paints only. Color guide for purchasing paint is included in the kit.
- Keep out of reach of children. They must not be allowed to ingest small parts or handle plastic bags in any way.

\*说明书中含有重要信息, 应保留。 Please Keep instruction since it contains important information.

### 装配之前仔细阅读

- 小心用模型锉刀锉平所有零件表面的注射浇口。
- 小心用刀片切下蚀刻片零件, 不要遗失小零件。
- 用强力快干胶水粘合蚀刻片零件和金属轴。过量的快干胶水使用可能导致可动零件会粘住, 小心涂胶。
- 取蚀刻片时应特别注意安全, 防止利边划伤手指。
- 某些零件表面需贴上水贴纸, 请选择在装配的同时进行。
- 推荐模型工具(自备): 胶水, 水口剪刀, 长咀钳, 刀片, 锉刀, 镊子钳, 钻, 剪刀, 瞬间快干胶。
- 软布同砂纸同时也是所需工具。
- 请使用塑料胶水和油漆, 模型内不含。
- 谨防小孩吸吮塑料零件, 或者将塑料袋套在头上, 制作时应将套材远离小孩接触。
- 本产品不适合14岁以下没有经验的模型爱好者。

### 水贴纸的使用:

1. 从水贴纸上剪下印花;
2. 将印花放入温水中浸10秒, 然后放在干净布上。
3. 拿着印花纸板将印花移到模型上;
4. 手指蘸水将印花移到适当的位置;
5. 用软布轻压印花直至水干, 汽泡消失。

### DECAL APPLICATION:

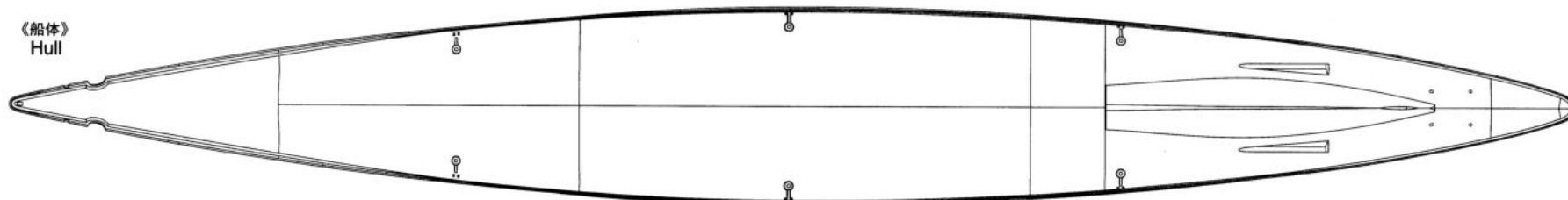
1. Cut decals from sheet as needed
2. Dip the decal in warm water for about 10 seconds and then place on soft clean cloth.
3. Hold the decal backing sheet edge and gently slide the decal onto the model in its proper position.

4. While still wet, decal can be adjusted for better fit on model by dampening it gently with your finger.
5. When placed in the proper position, gently press decal down with a soft cloth until excess water and air bubbles are gone.
6. Allow decal to dry completely before handling model



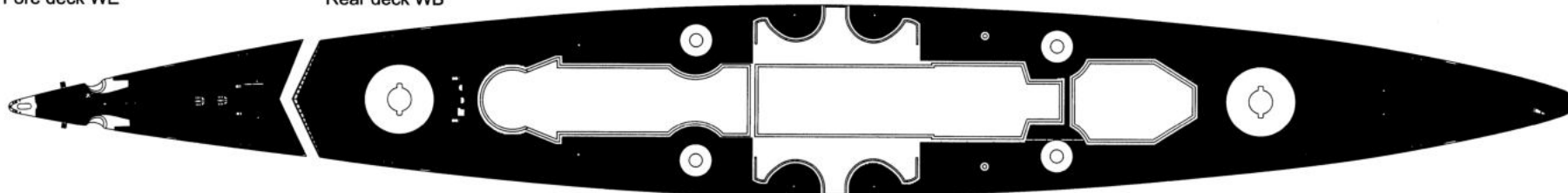
# 部品图 Parts

《船体》  
Hull

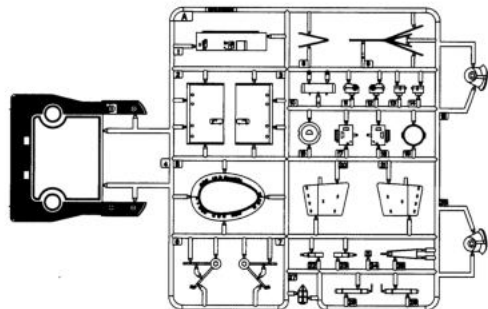


《前甲板 WE》  
Fore deck WE

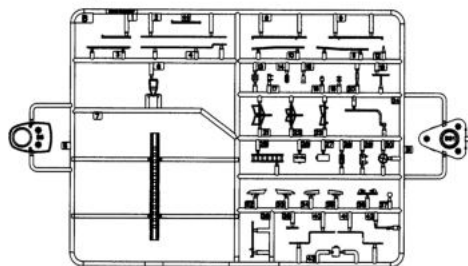
《后甲板 WB》  
Rear deck WB



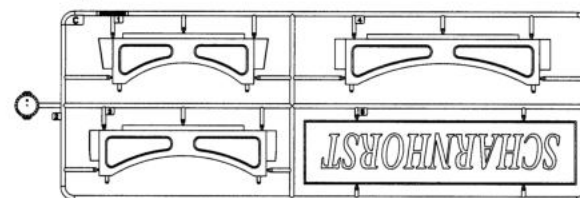
A



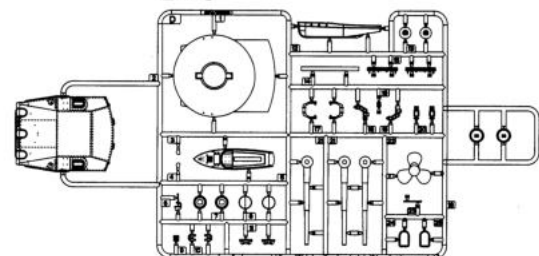
B



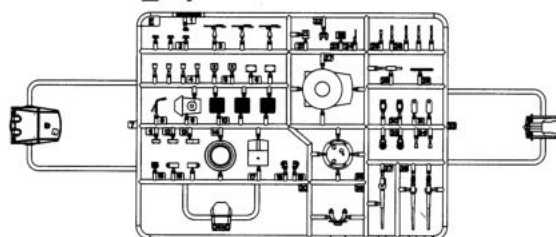
C



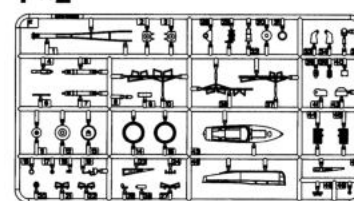
Dx3



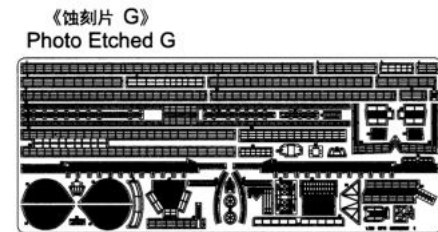
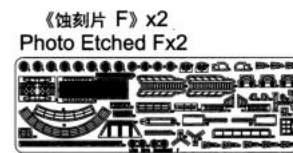
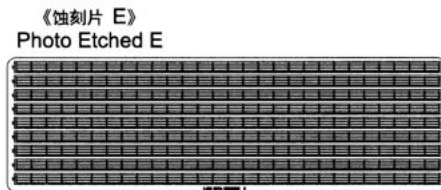
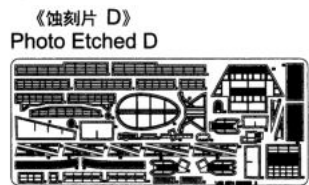
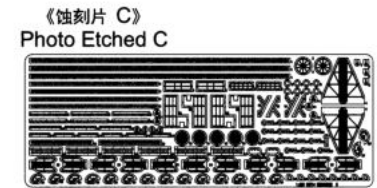
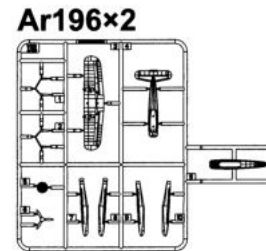
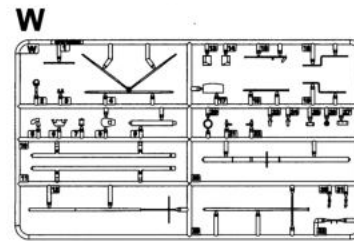
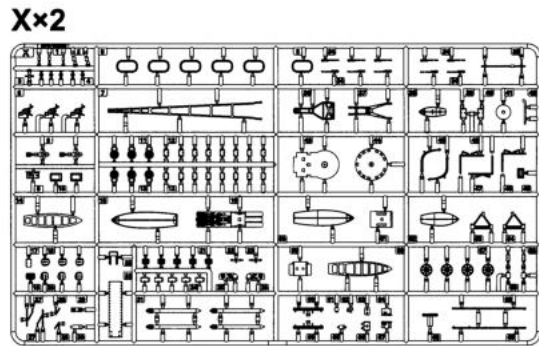
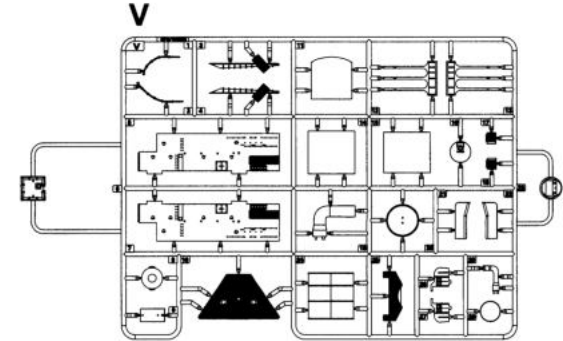
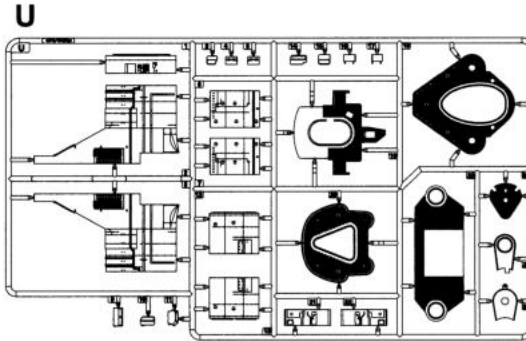
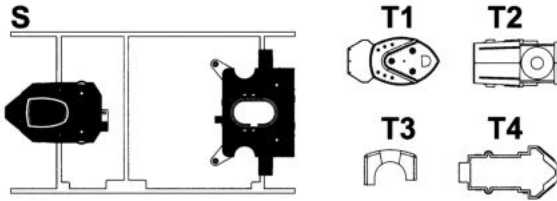
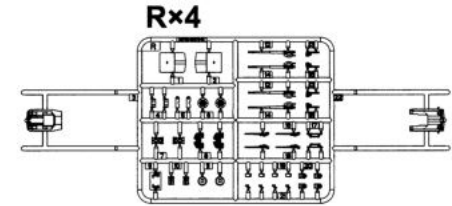
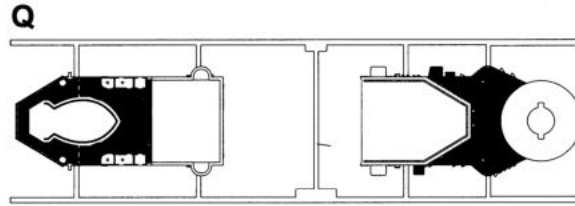
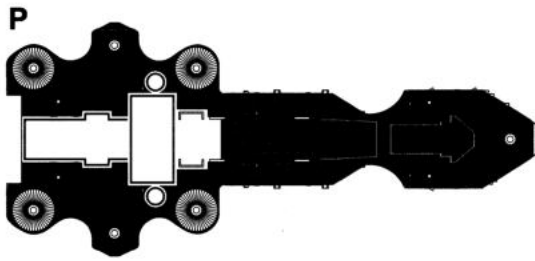
Ex4



Fx2



部品图 Parts

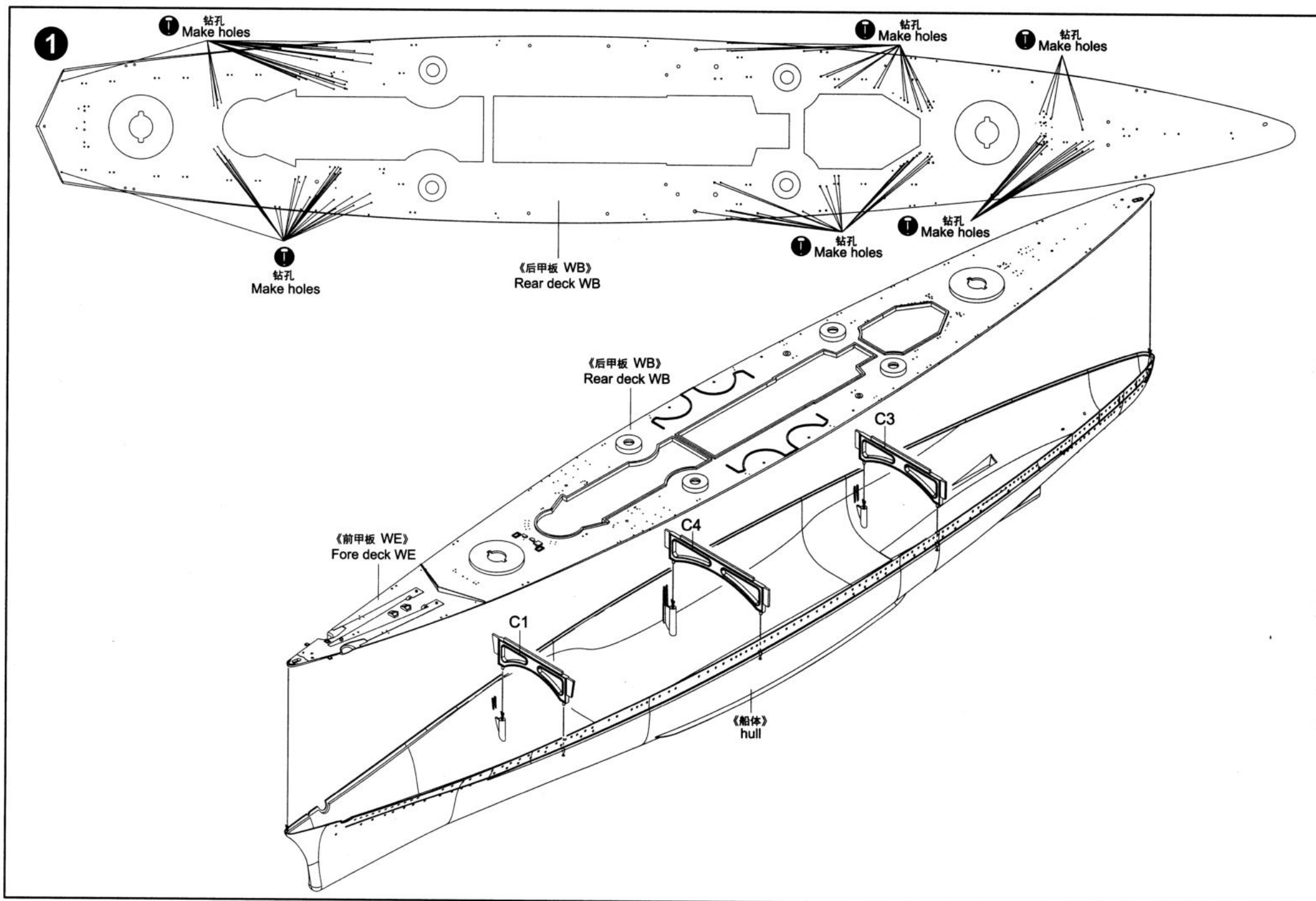


《蚀刻片 D》  
Photo Etched D

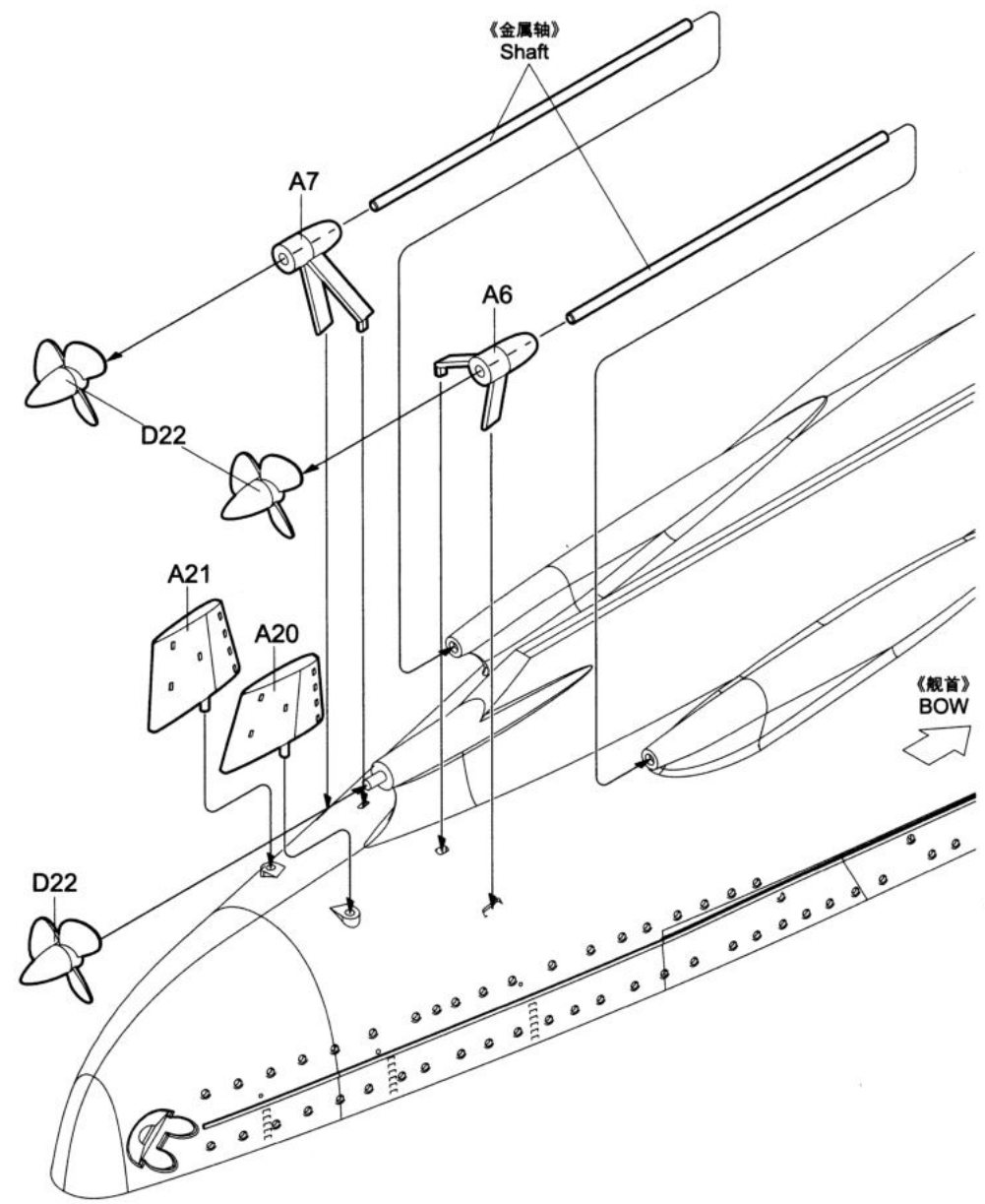
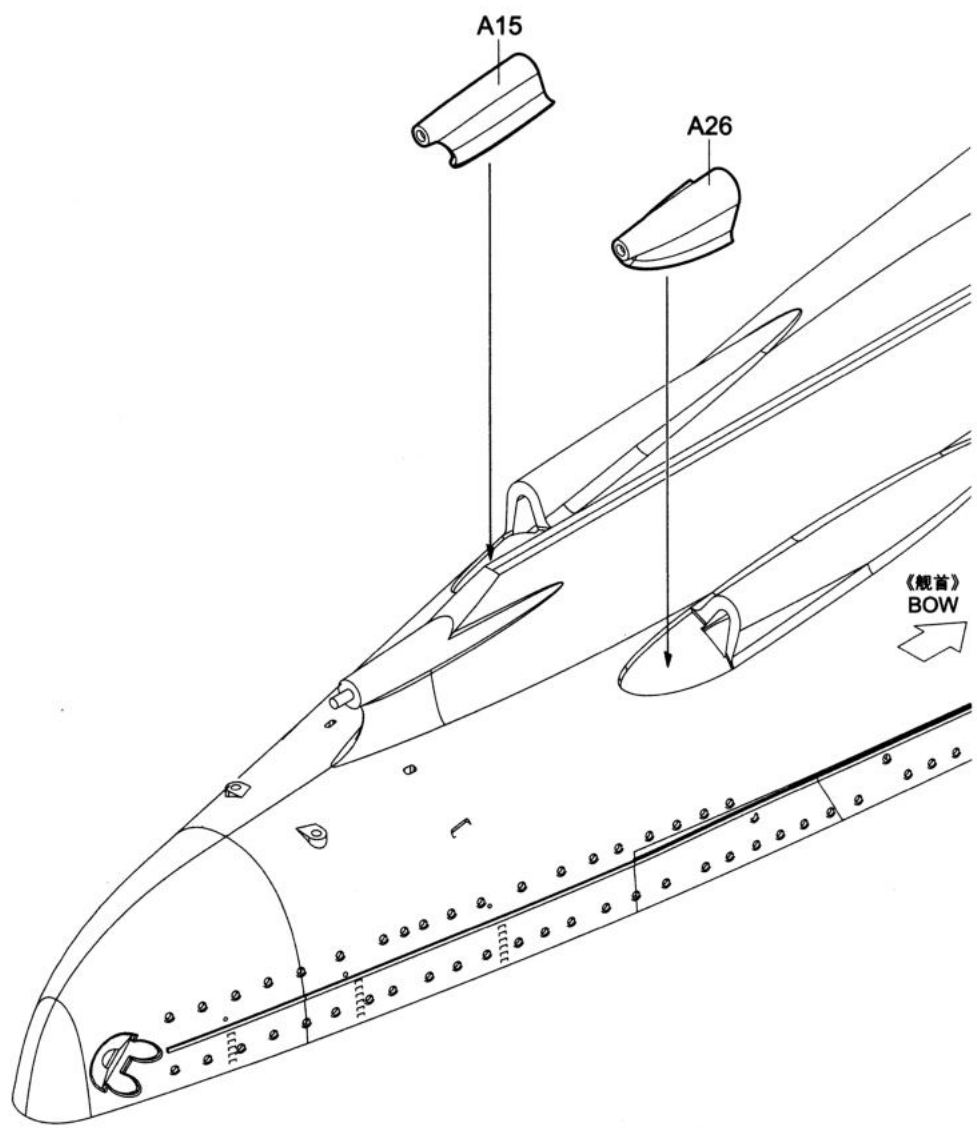
《金属轴》  
Shaft  $\phi$  2.5x80x2

《水贴》  
Decal

《锚链》  
Chain 长: 300



2



3

PE-C2

F13

F12

1

《制作2组》  
Make two

PE-G46

X3  
U5

PE-G46

X3  
U4

X29

X21

1

X29

E33

B14

2

弯曲  
Bend

PE-G24

3

B6

PE-D12

B26

4

B36

X62

《舰首》  
BOW



3

A27

2

W3

W25

X19

W27

F38

F9

X21

B13

X17

X17

B29

X21

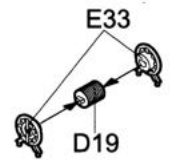
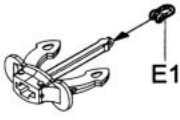
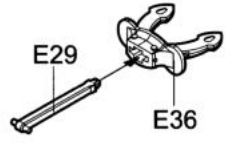
F9

X21

《舰首》  
BOW



4



⑤  
《制作4组》  
Make four

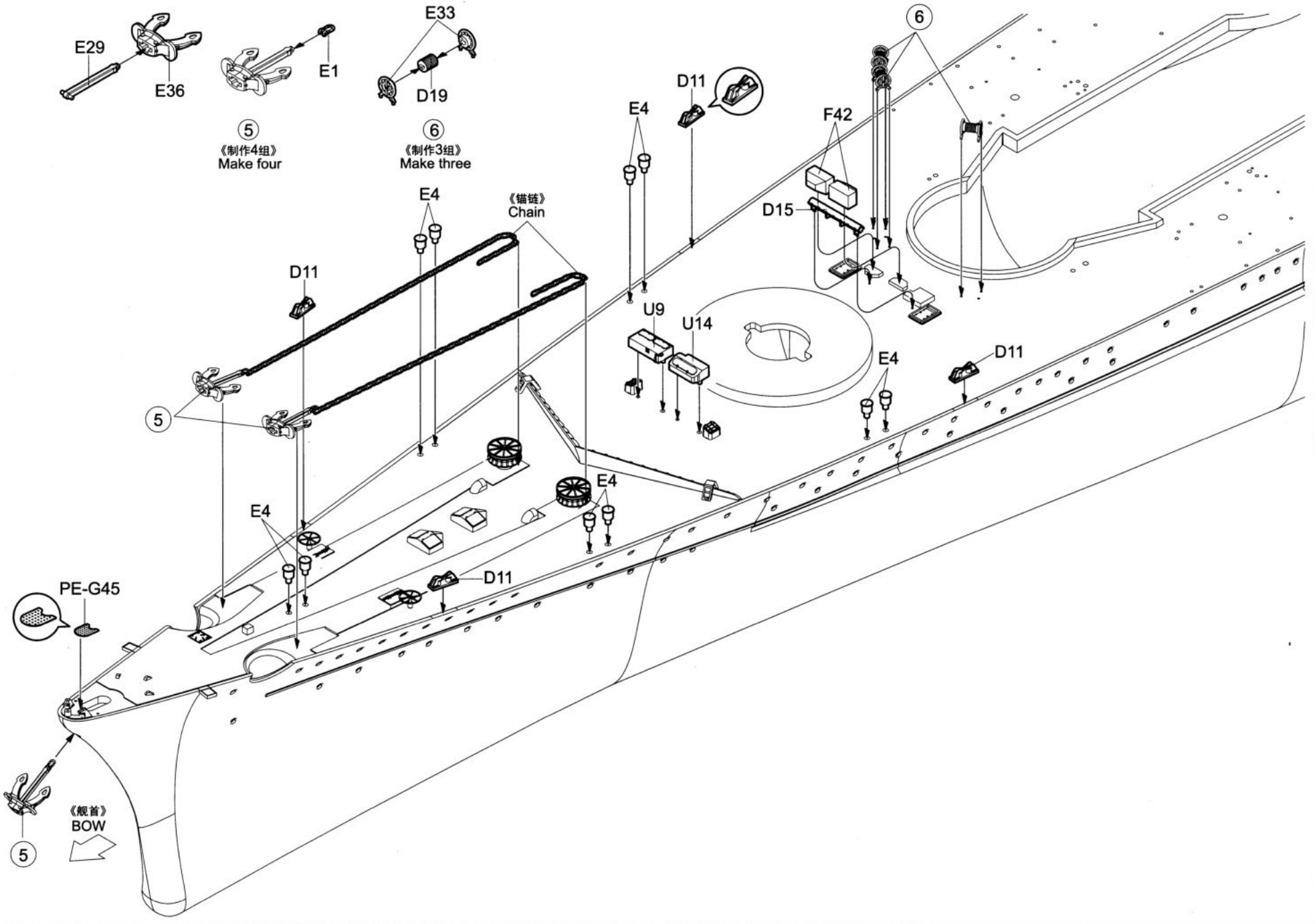
⑥  
《制作3组》  
Make three

《锚链》  
Chain

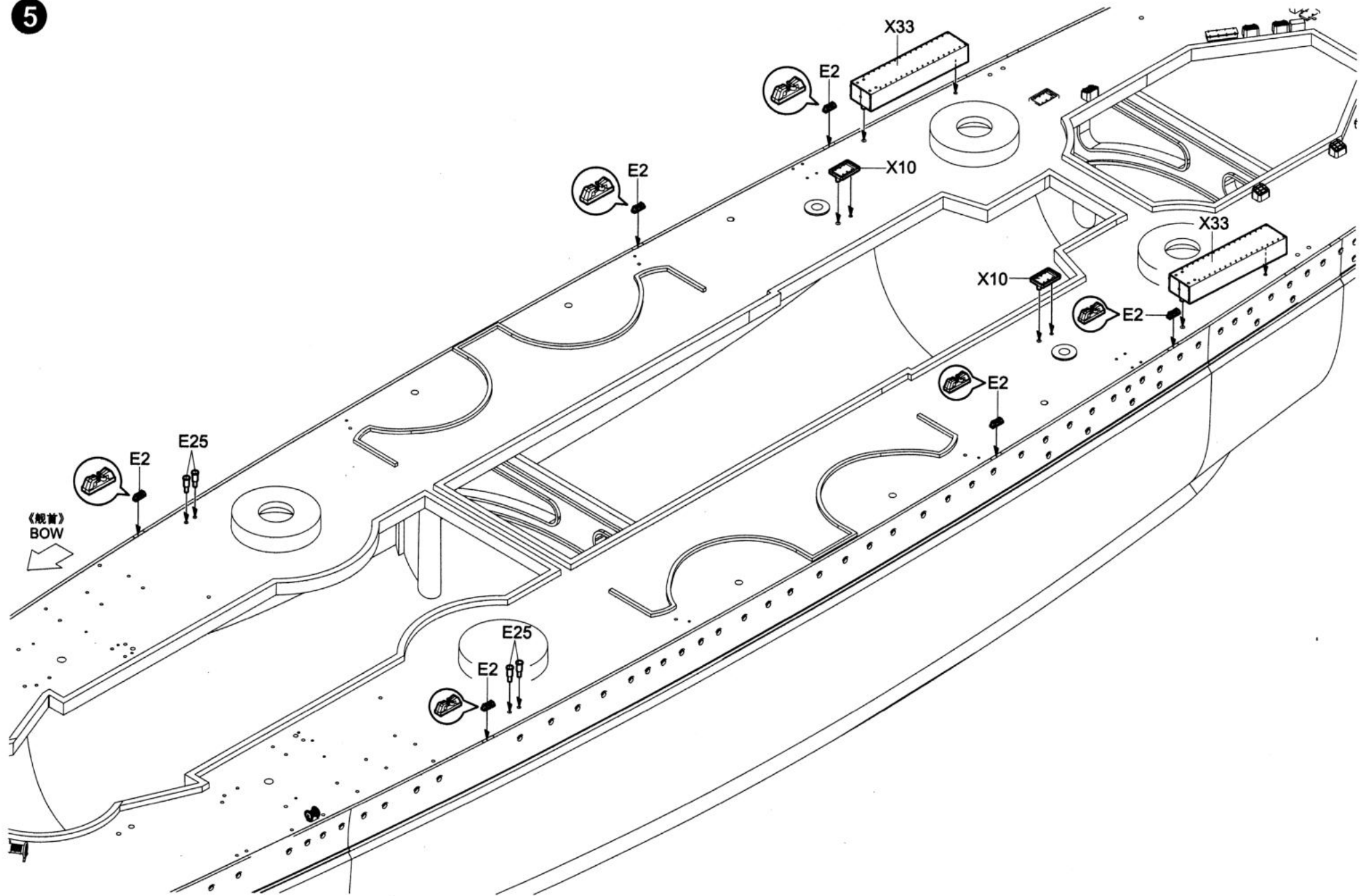


《舰首》  
BOW

⑤

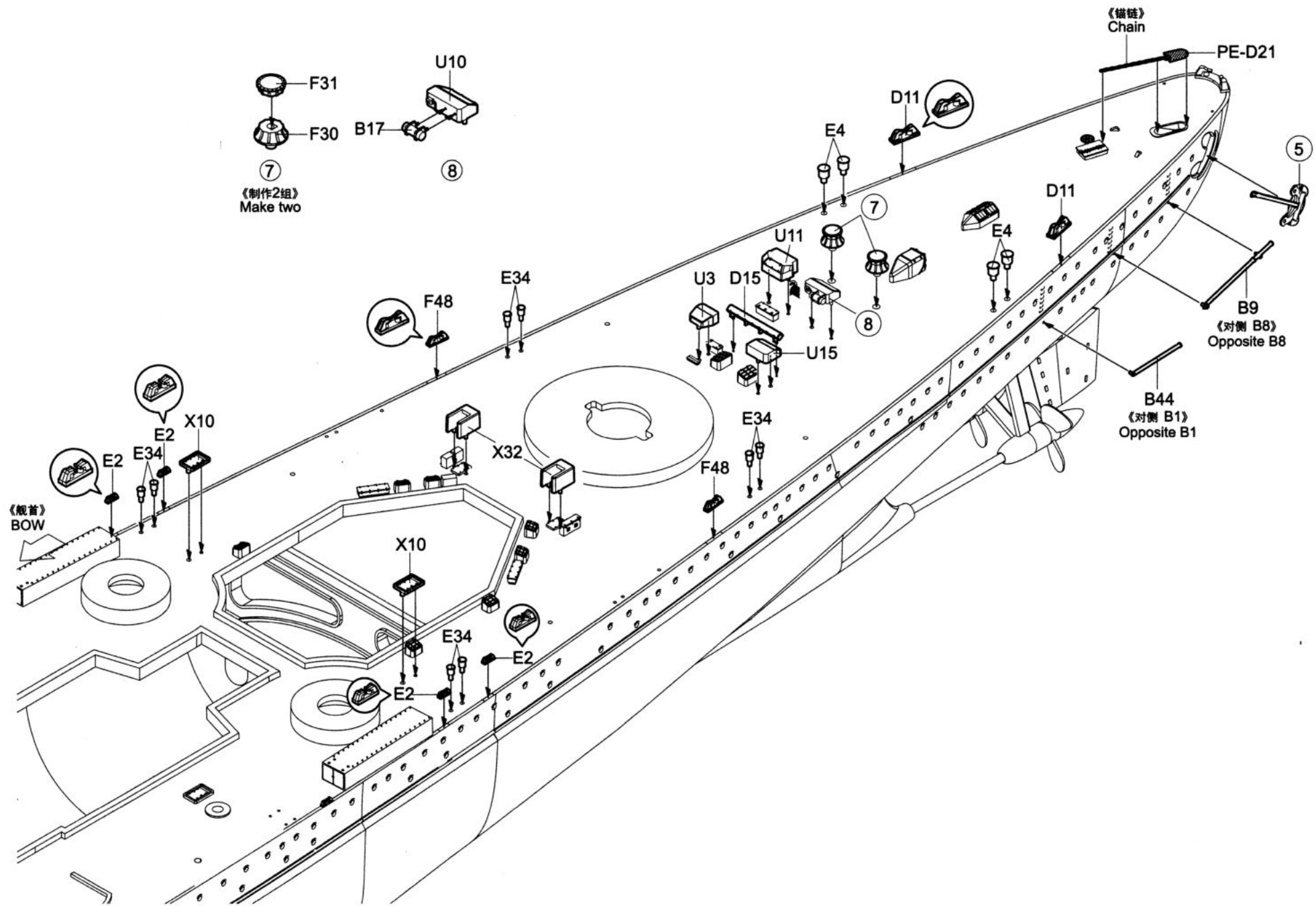


5

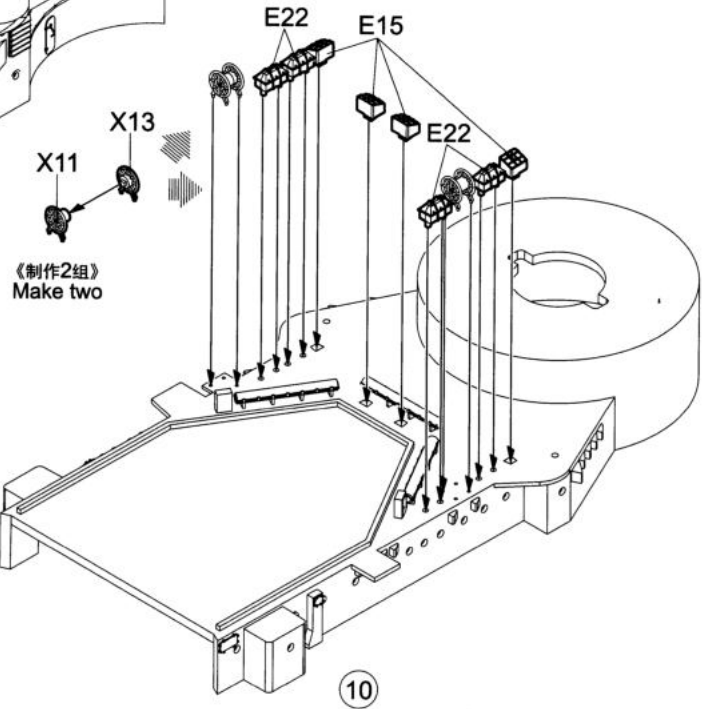
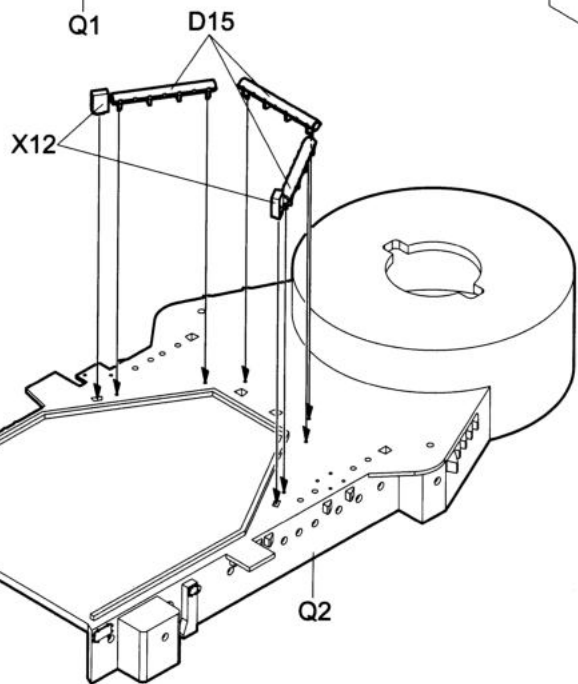
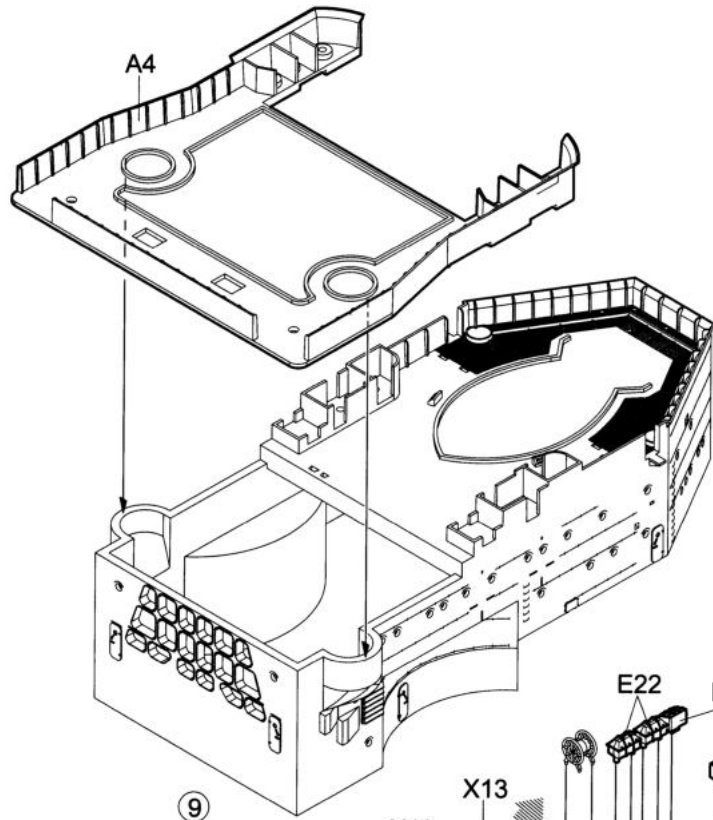
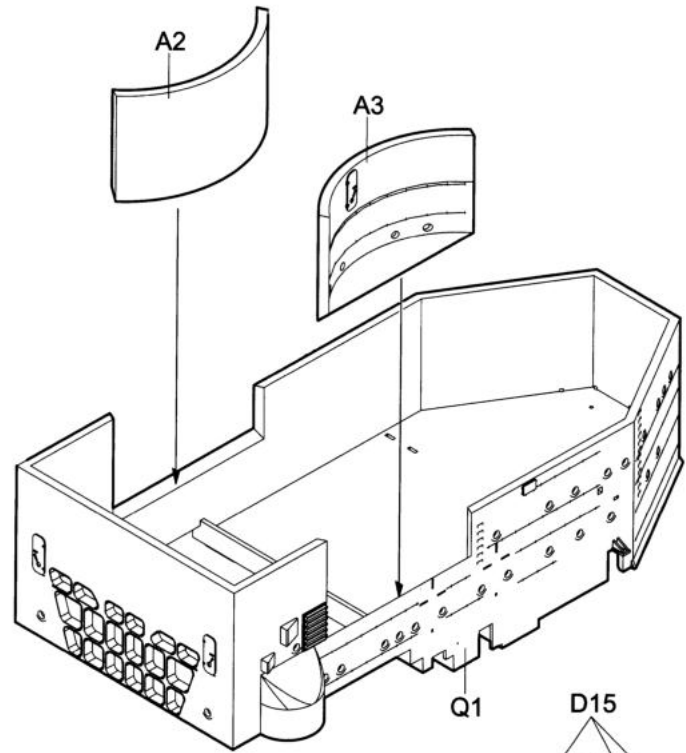




6

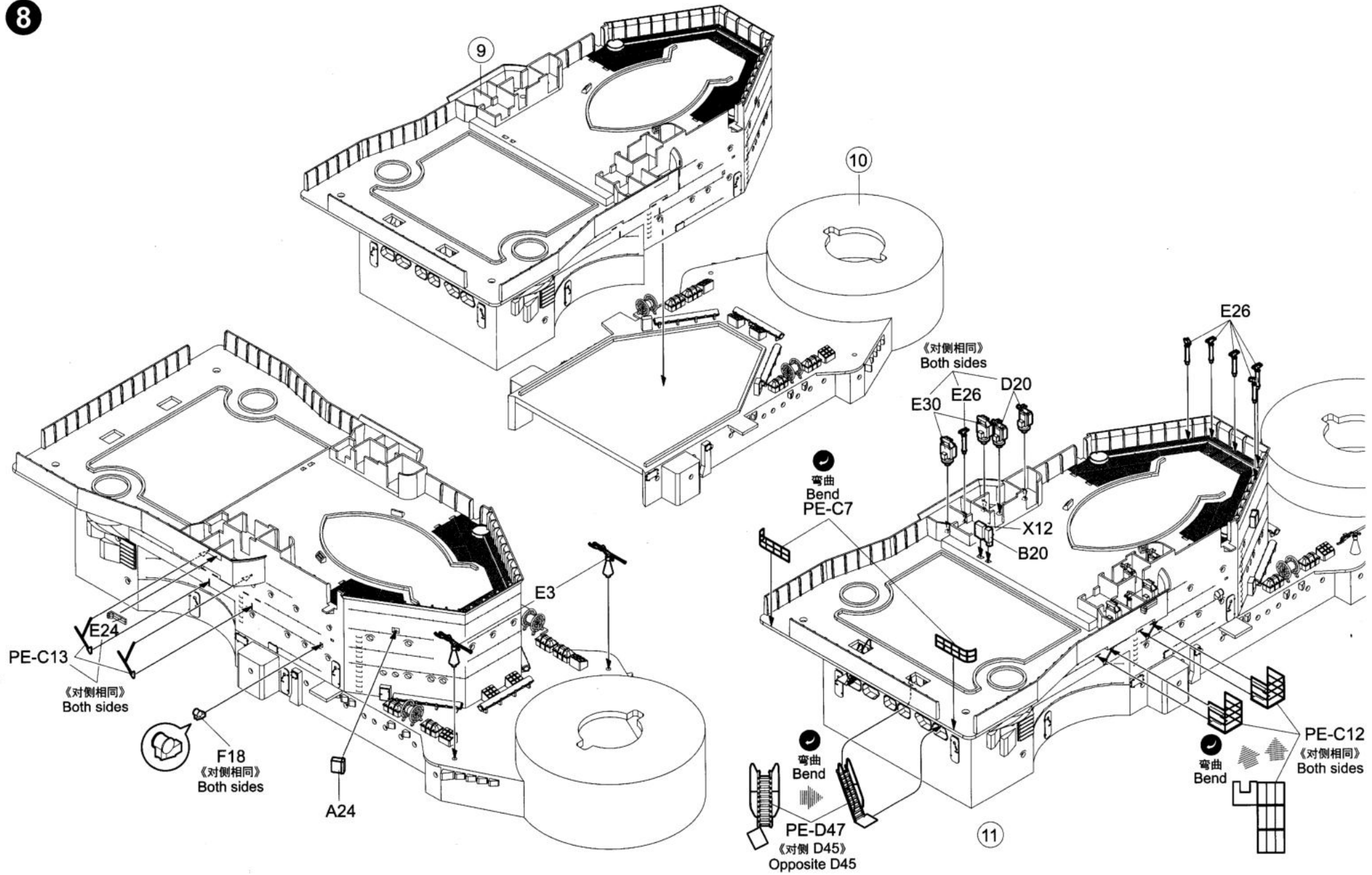


7

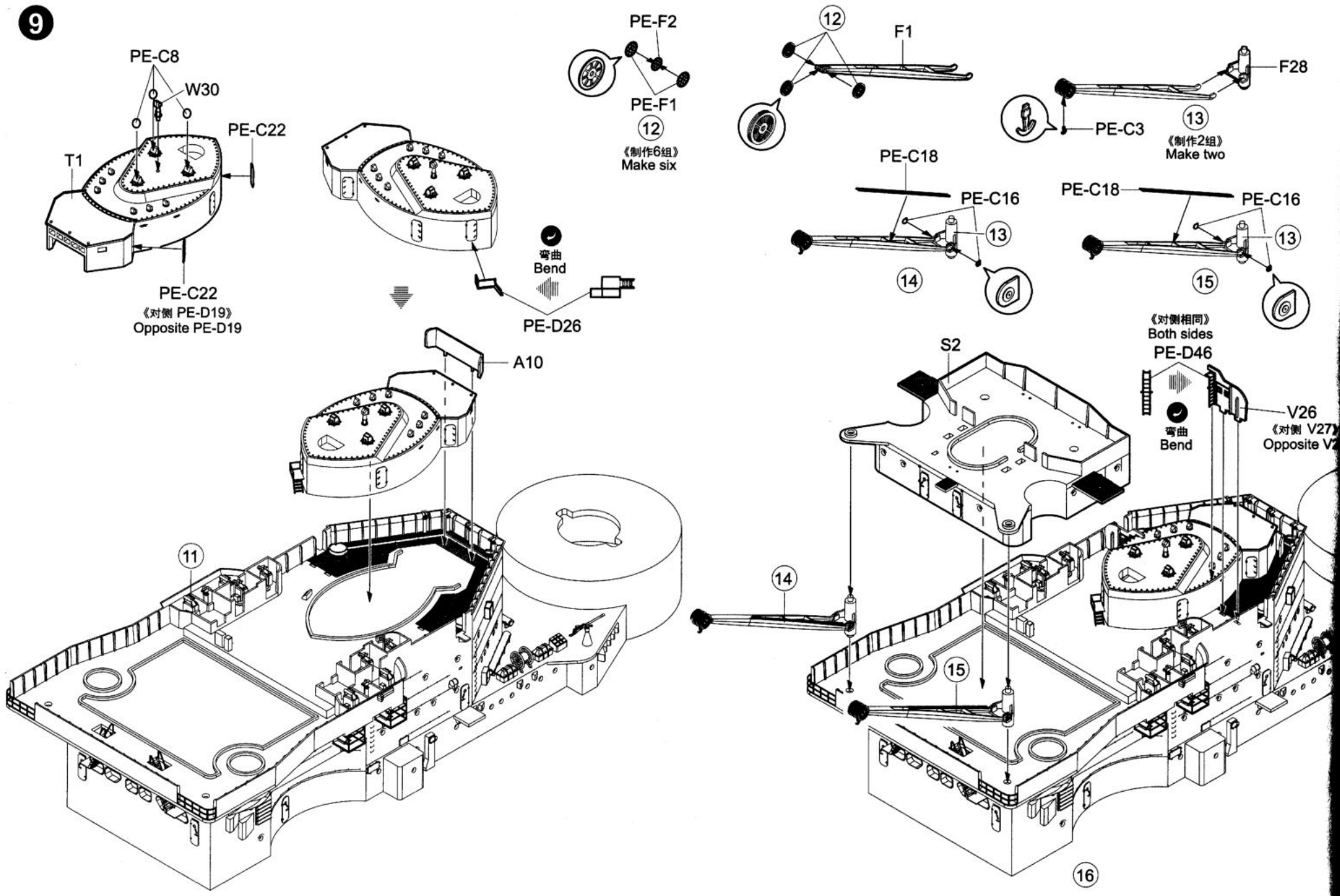


《制作2组》  
Make two

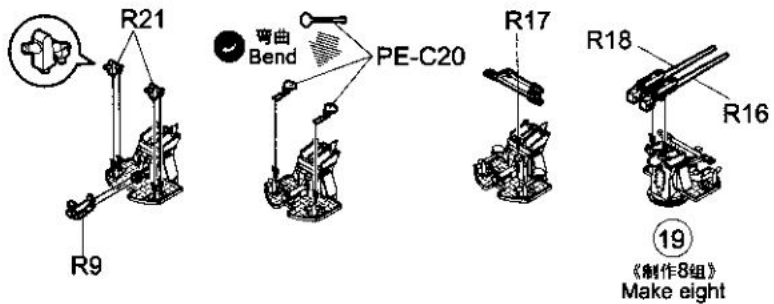
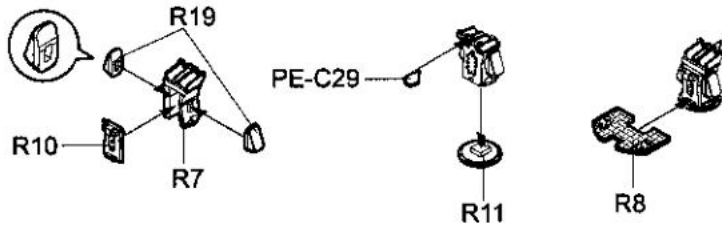
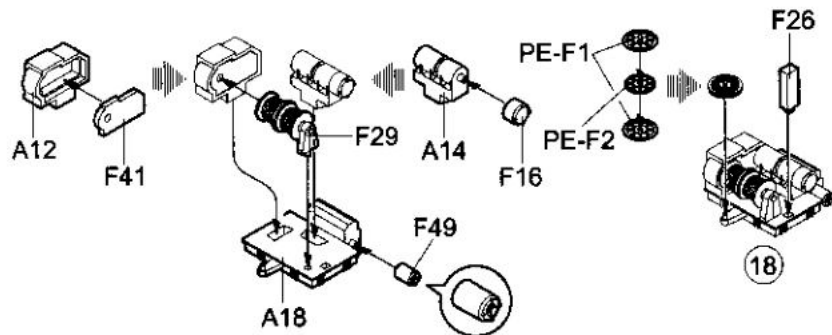
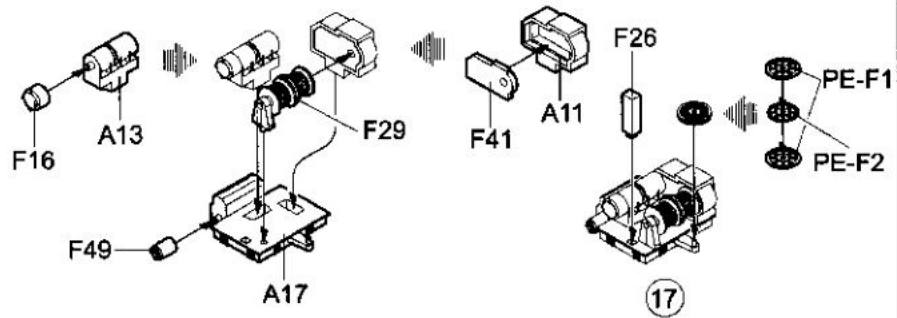
8



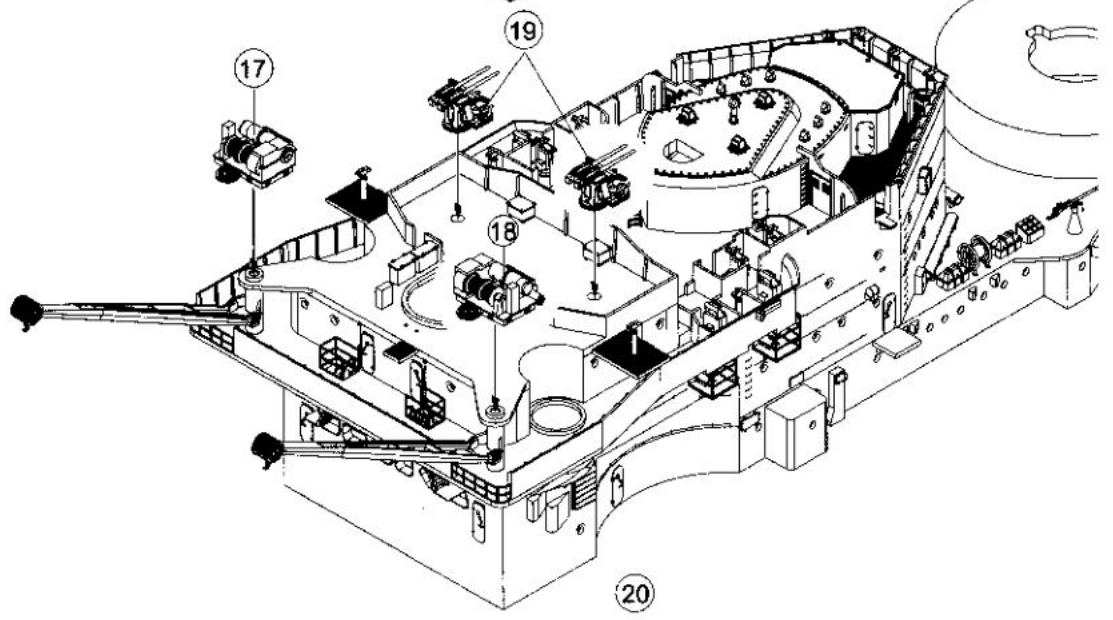
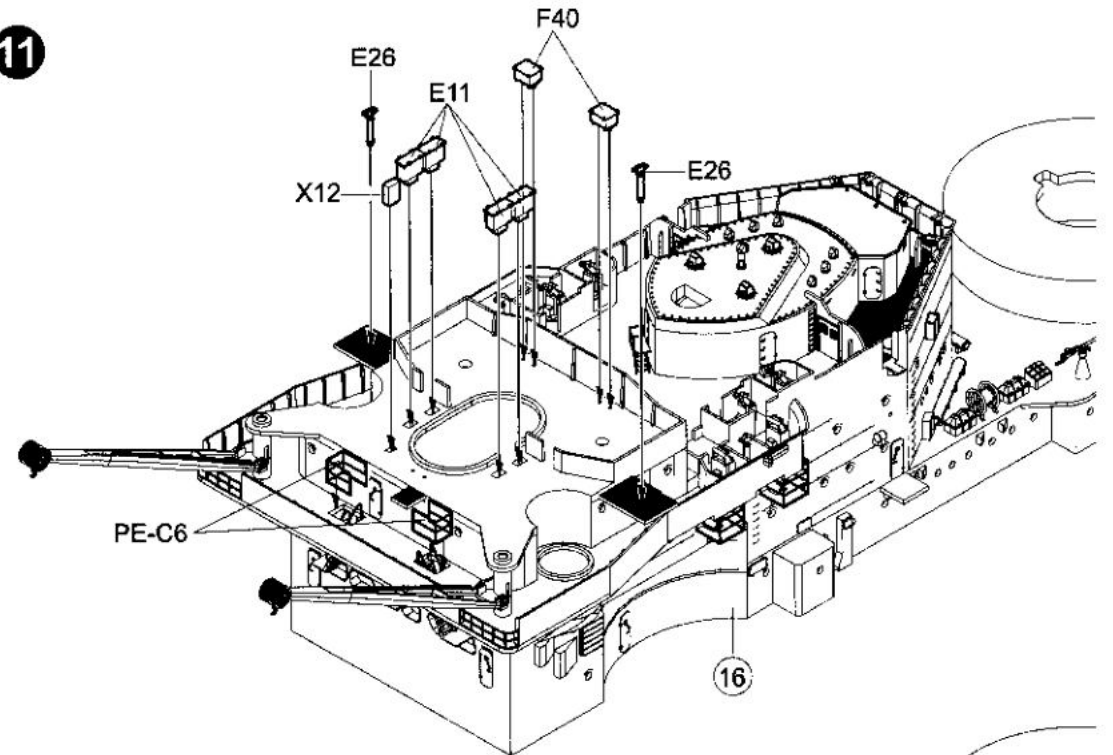
9



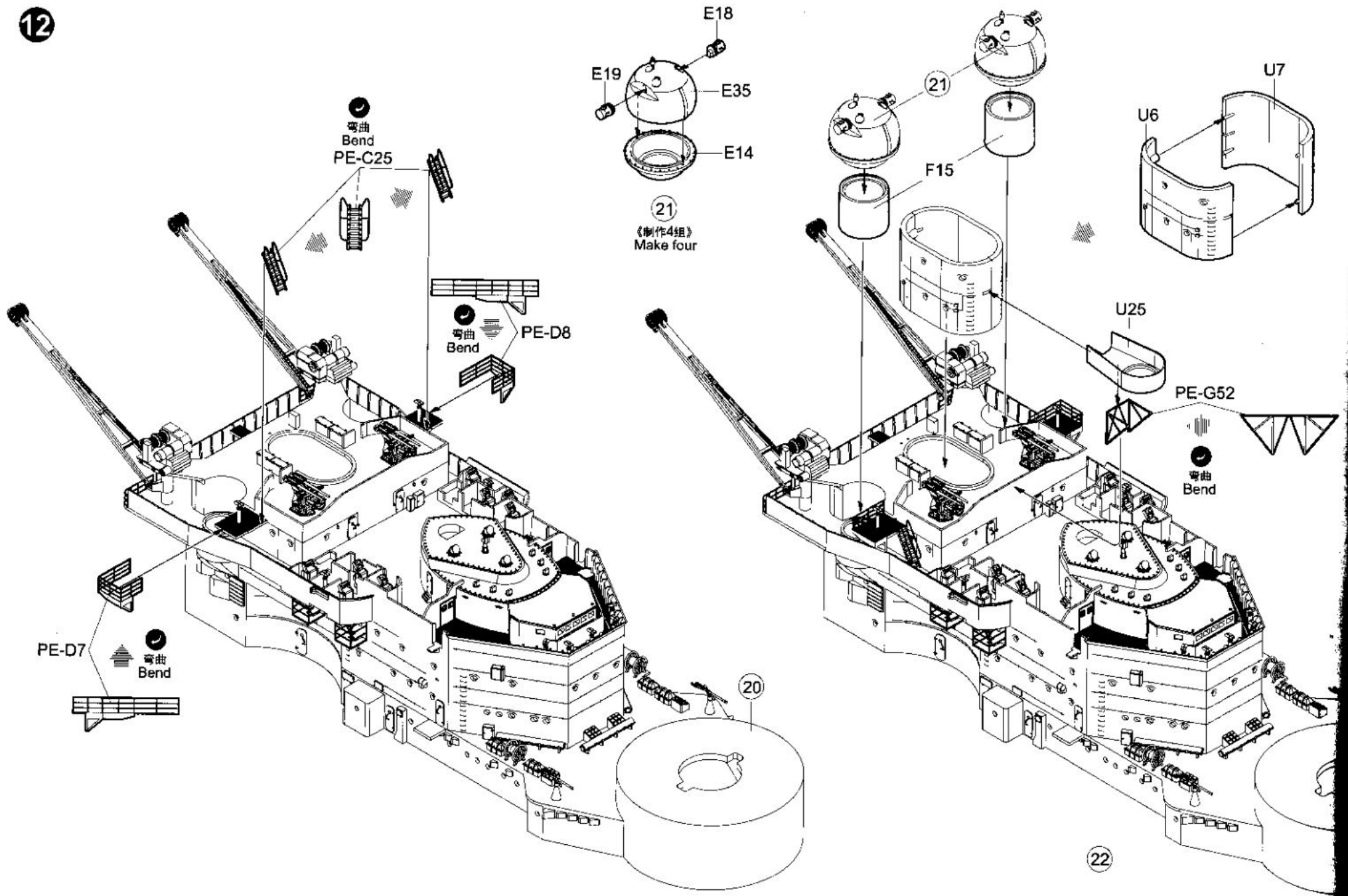
10



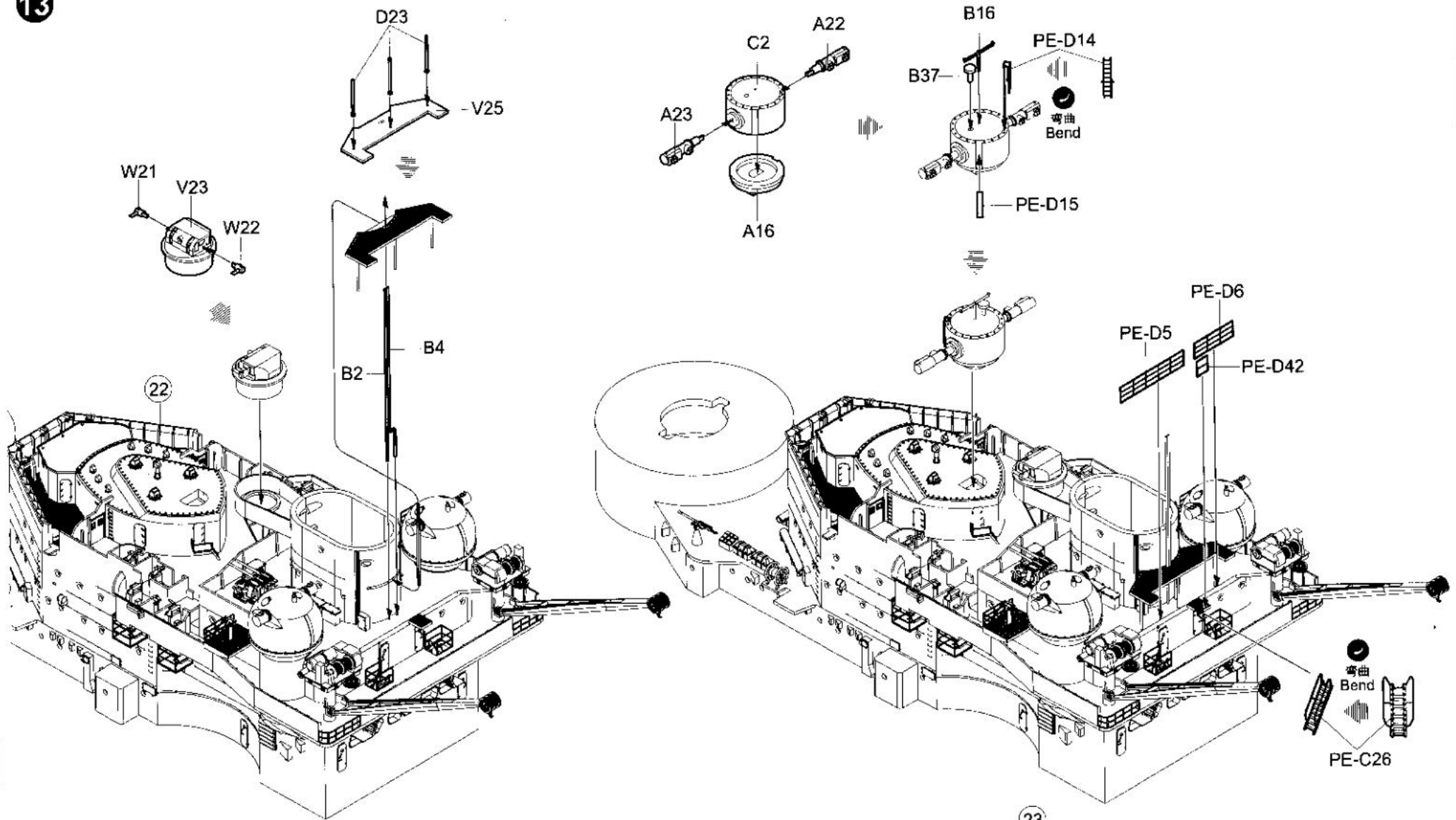
11



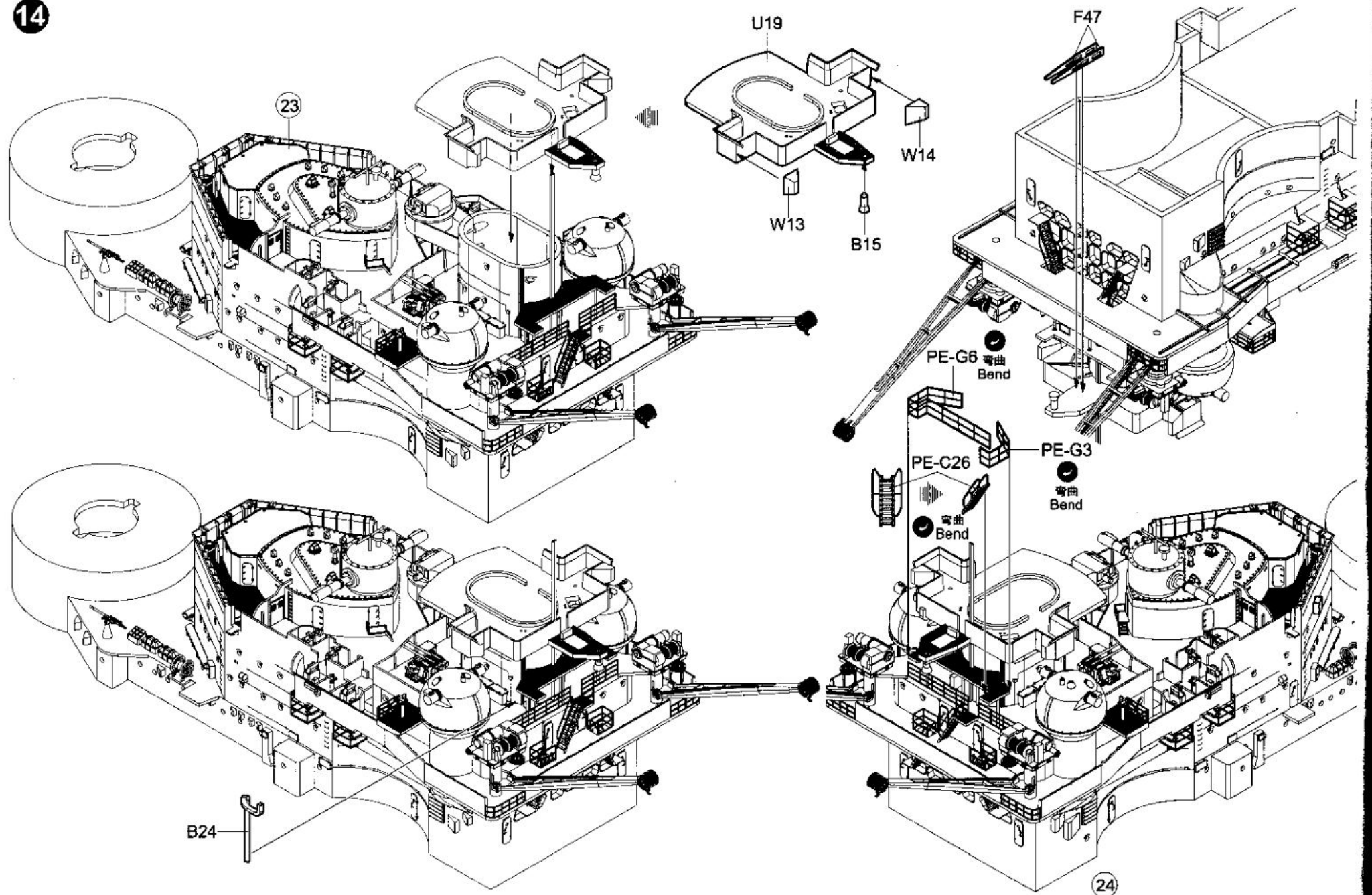
12



13

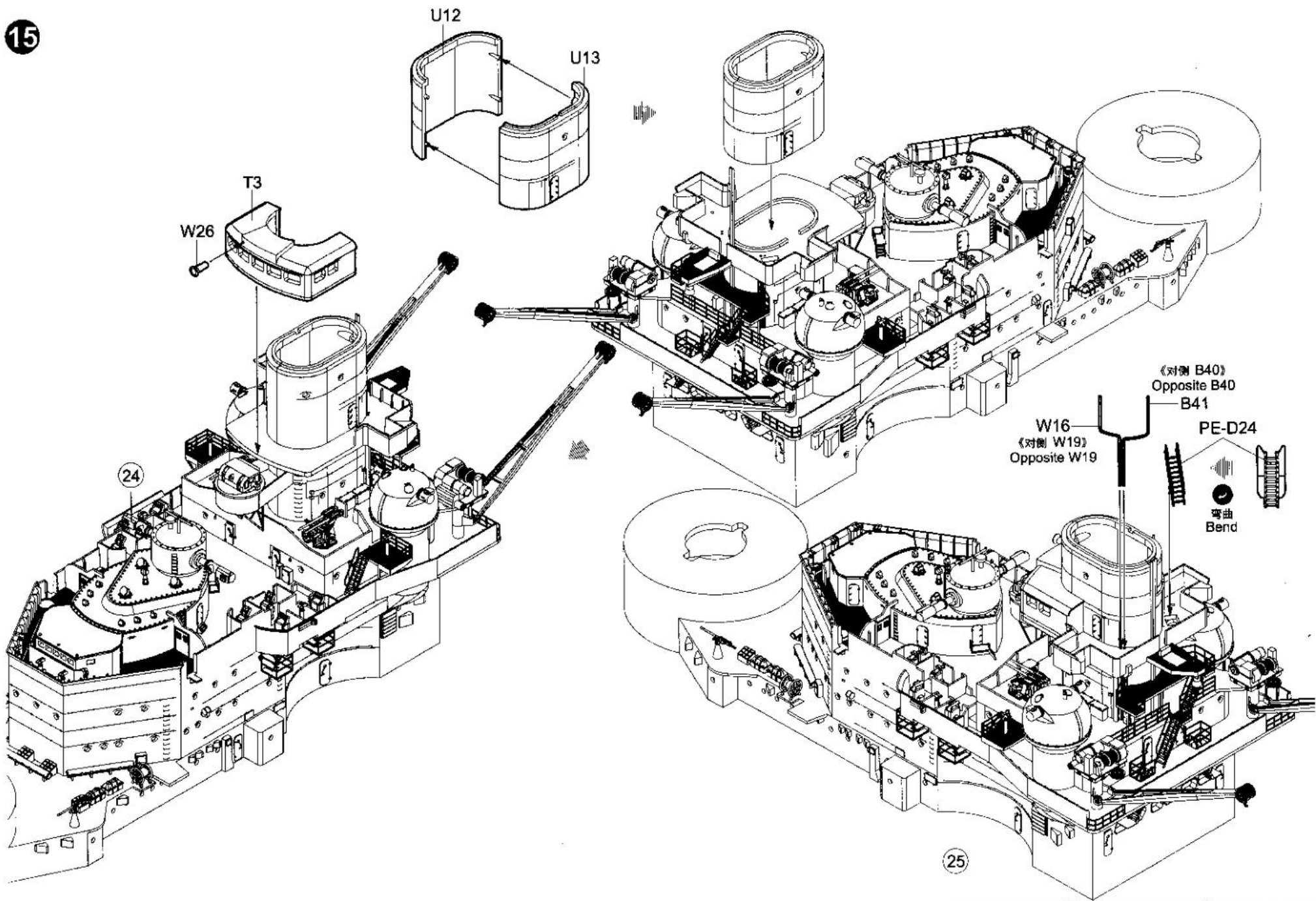


14





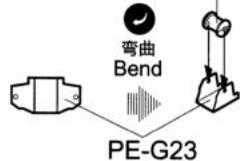
15



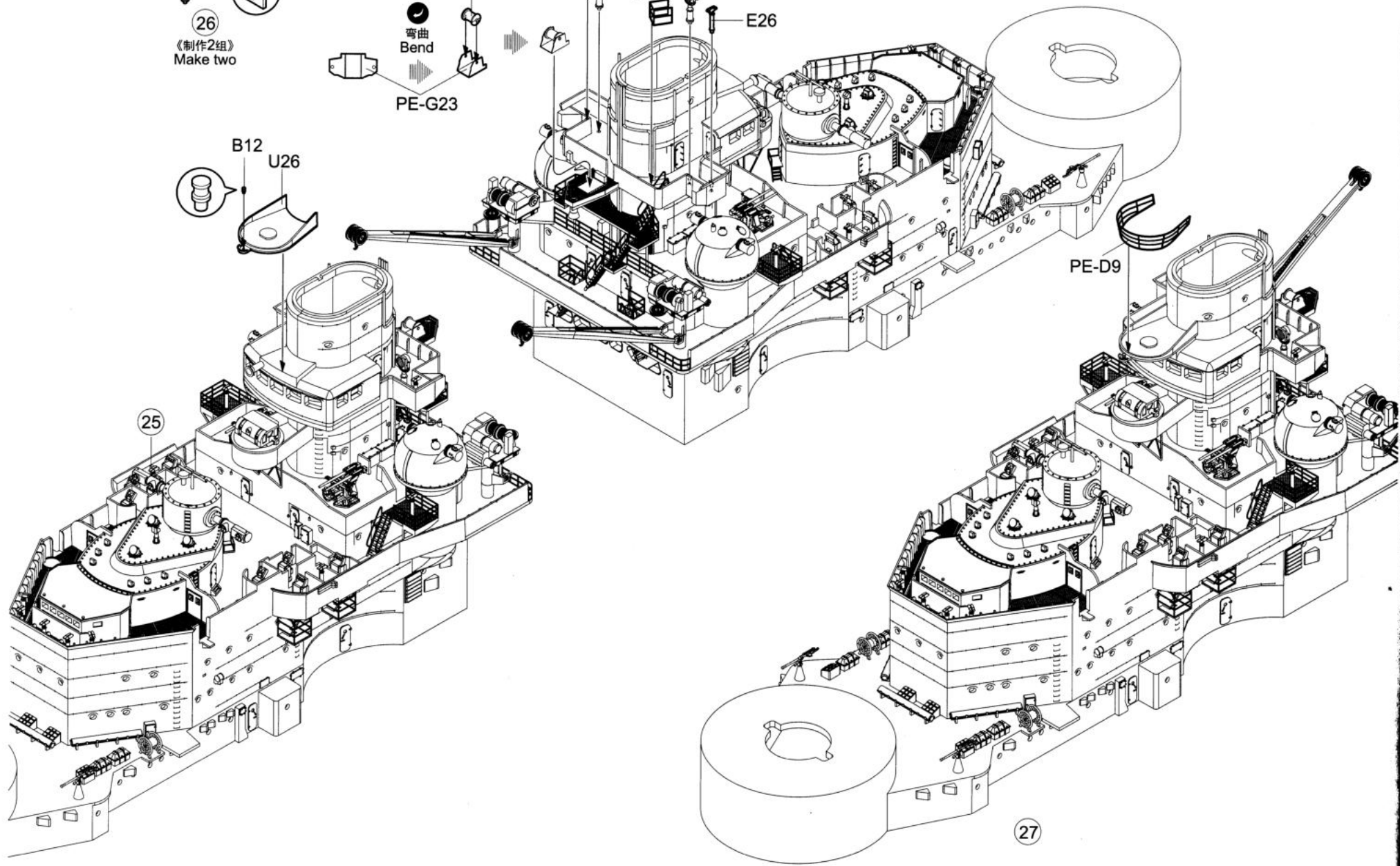
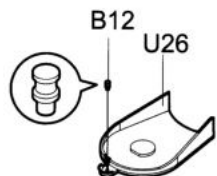
16



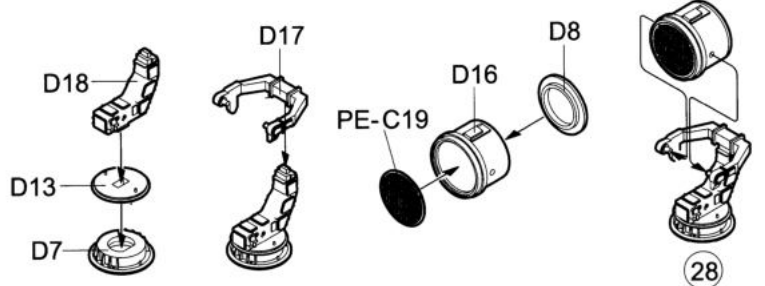
26  
《制作2组》  
Make two



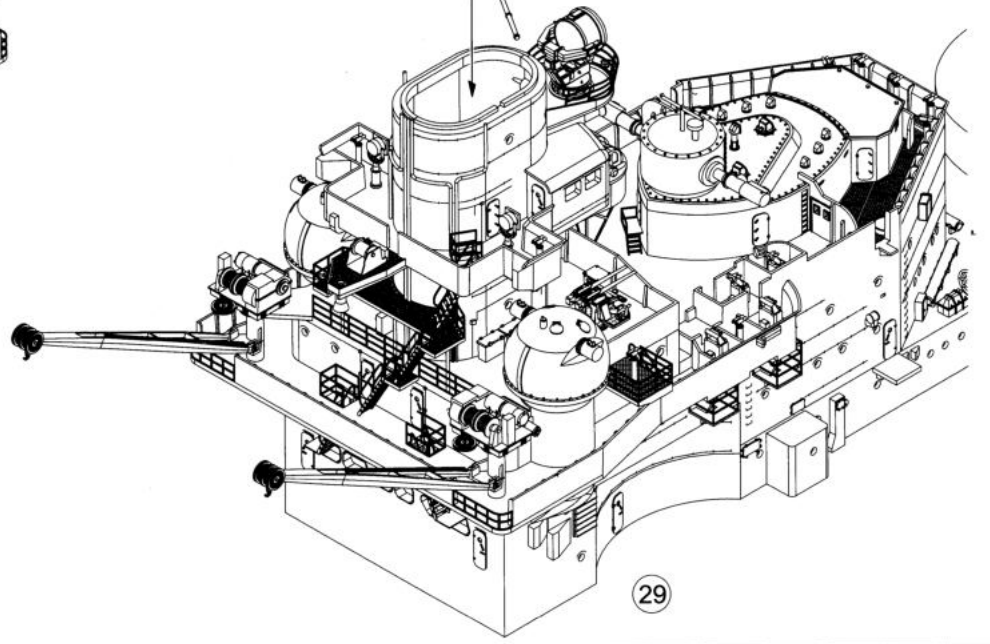
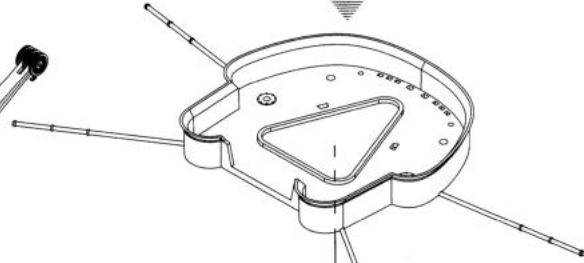
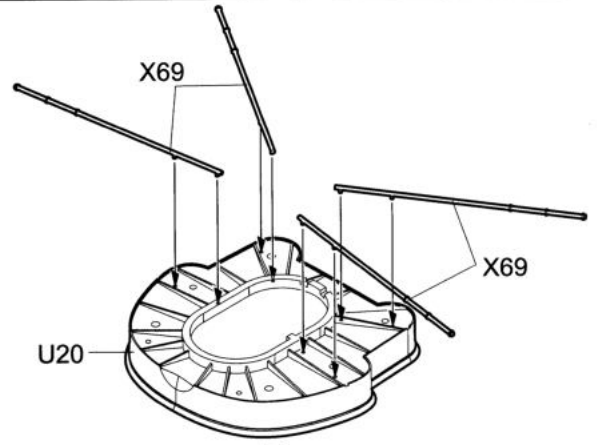
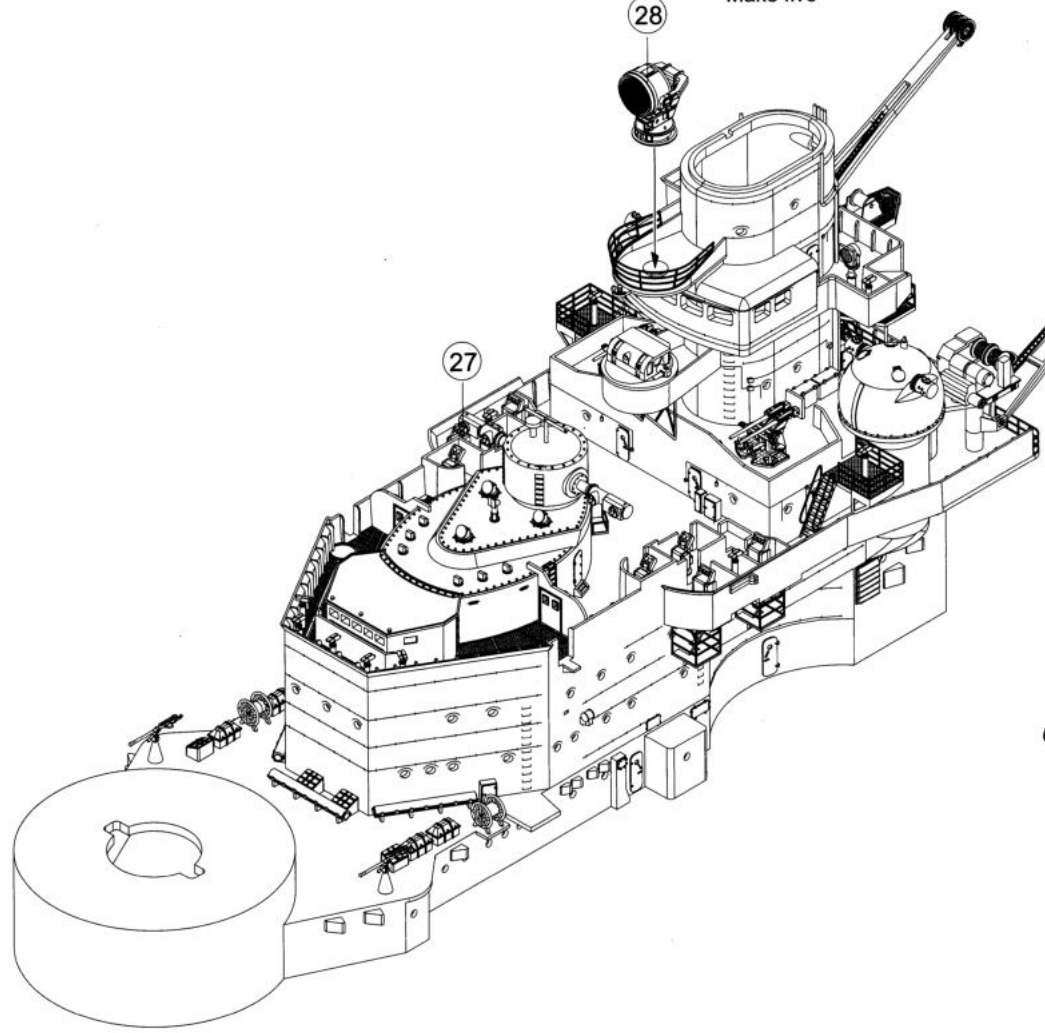
弯曲 Bend  
PE-D41



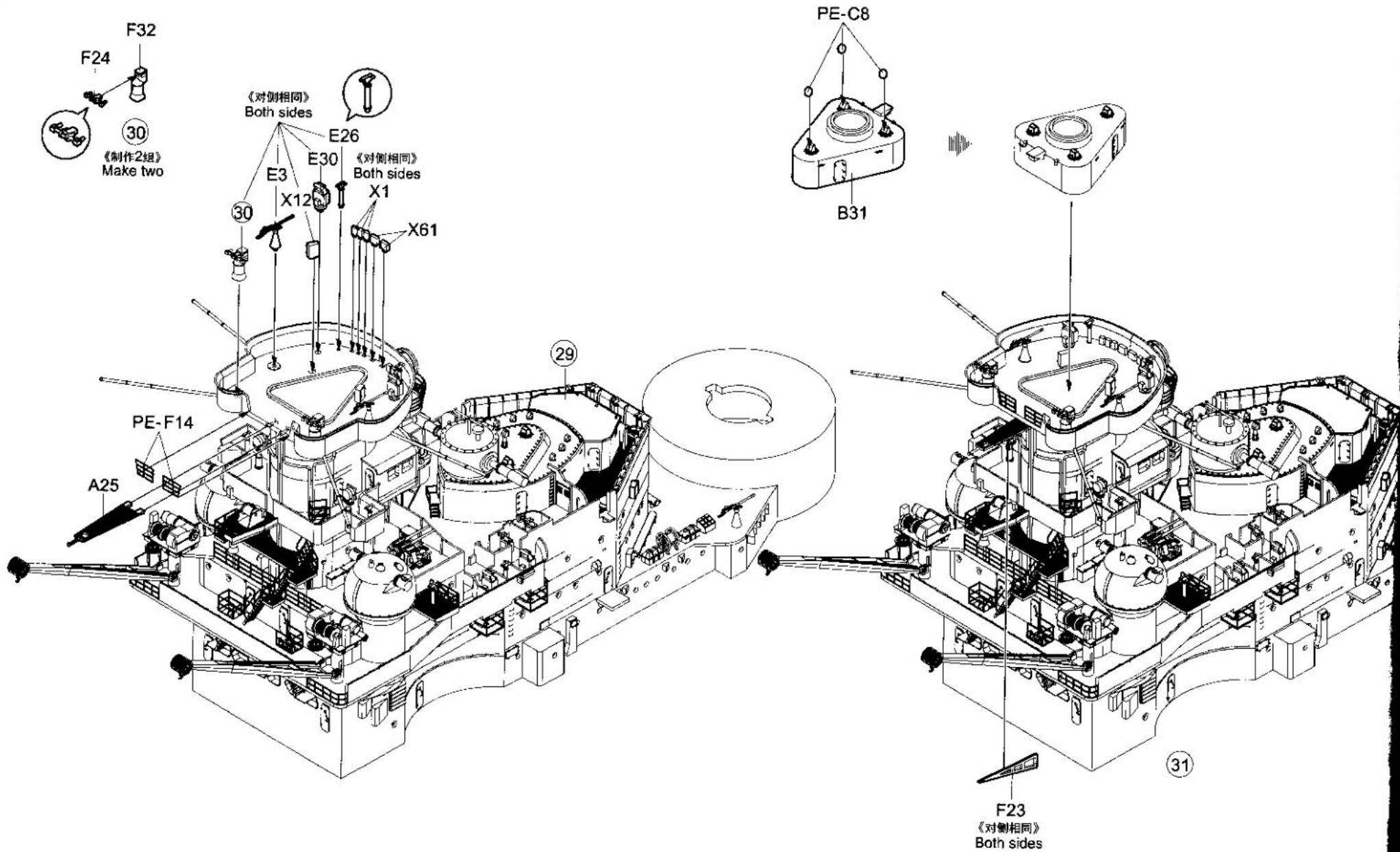
17



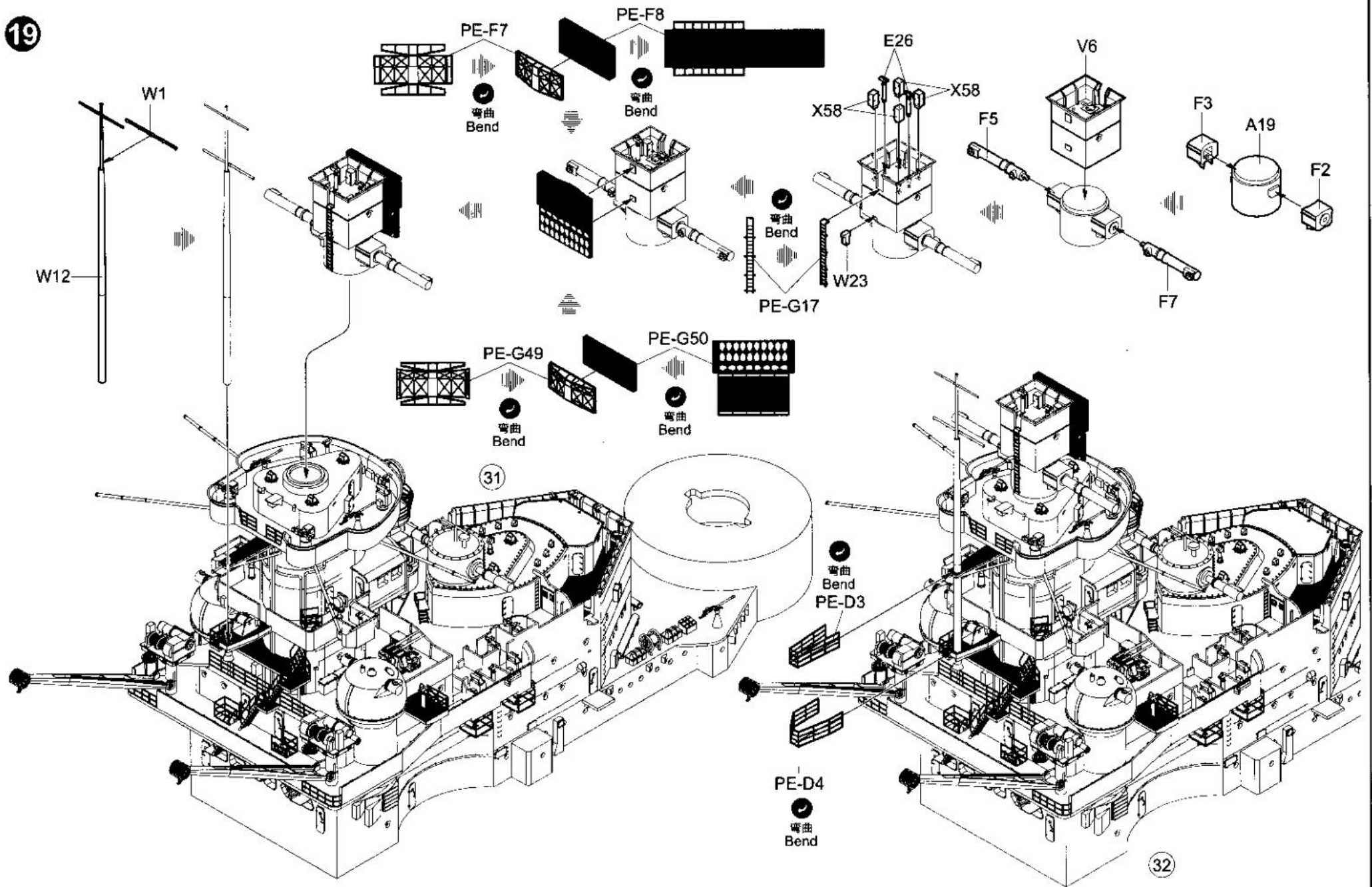
28  
《制作5组》  
Make five



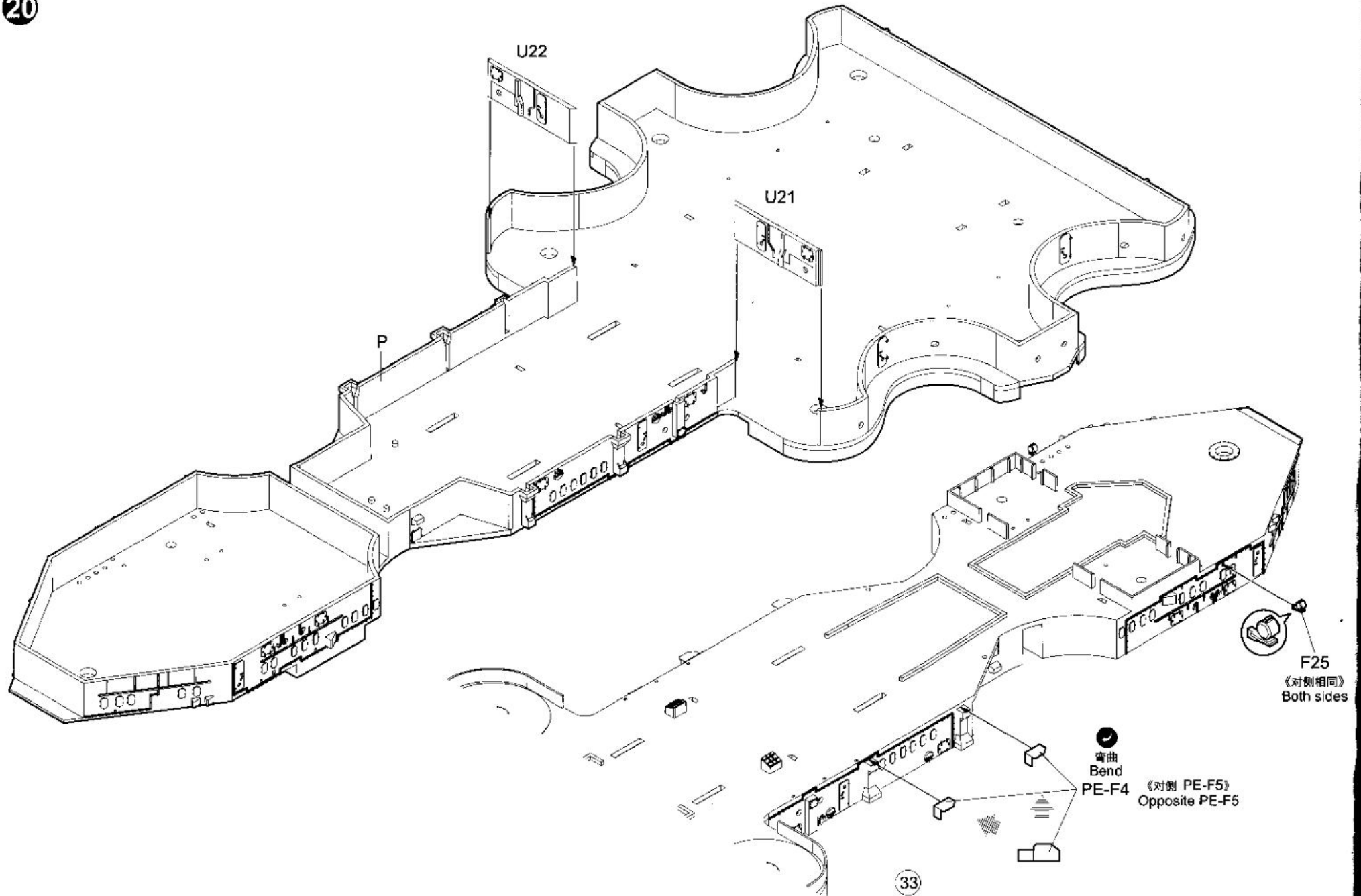
18



19

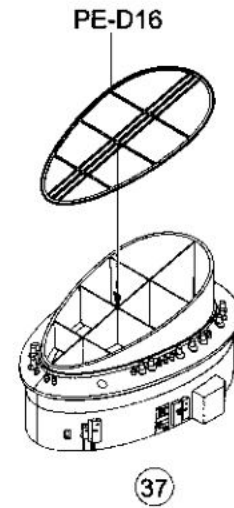
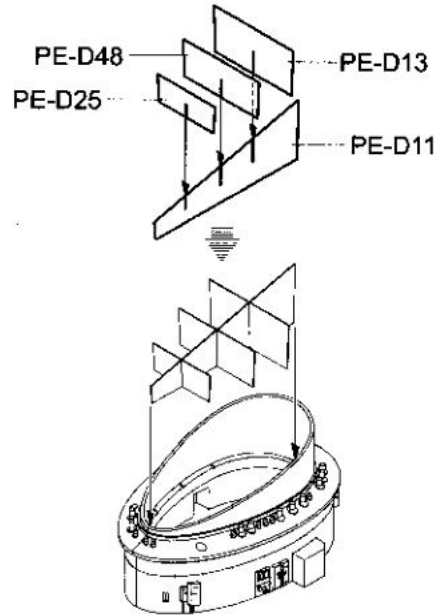
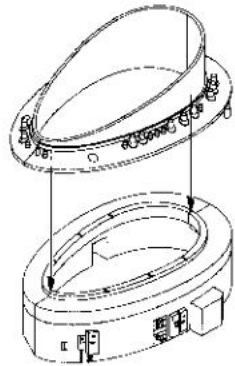
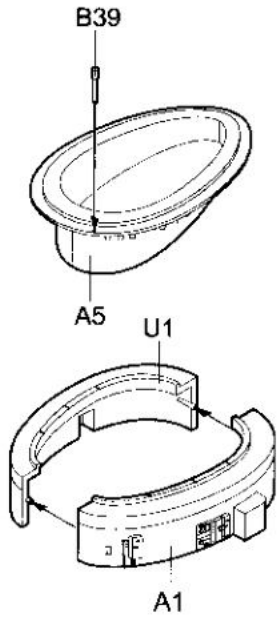
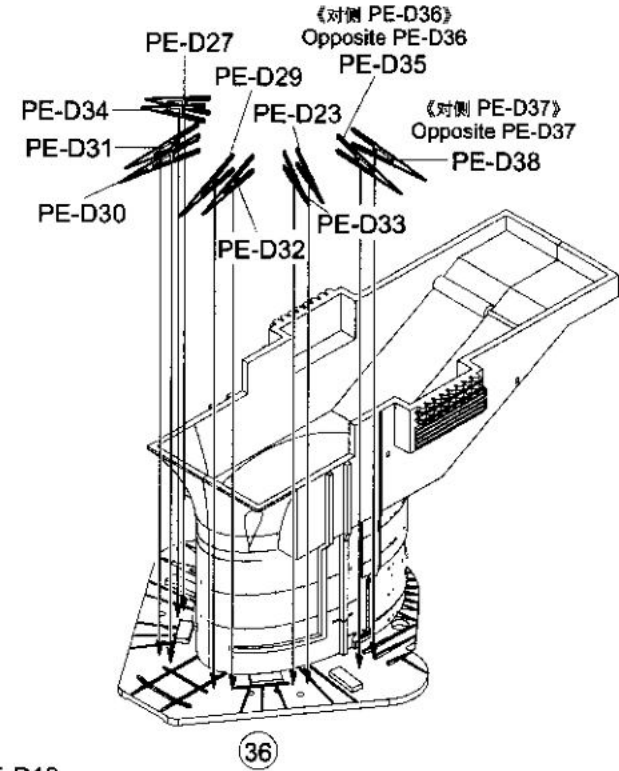
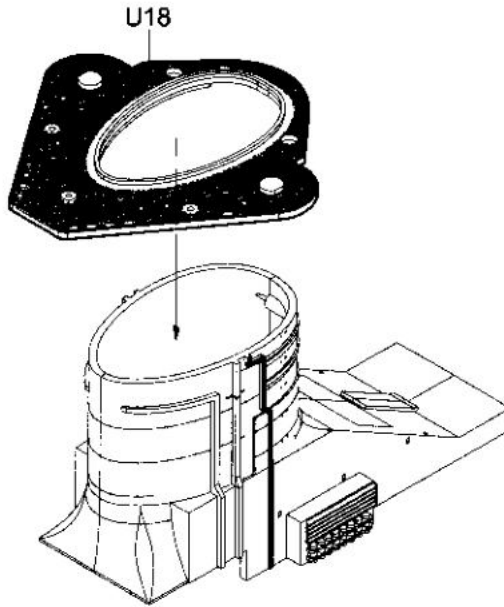
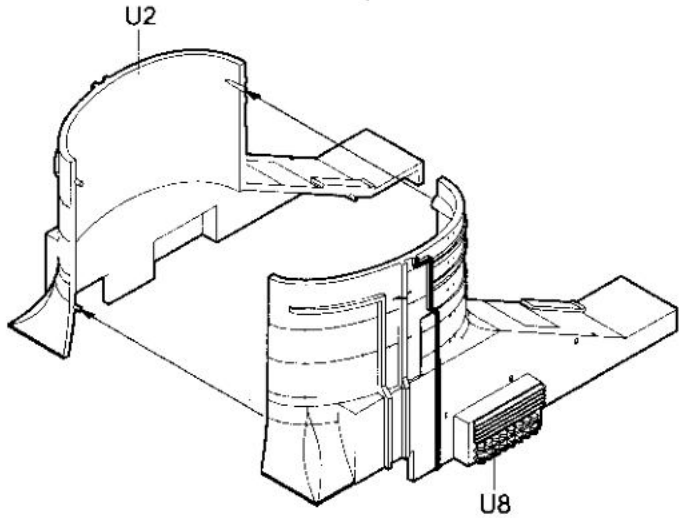


20



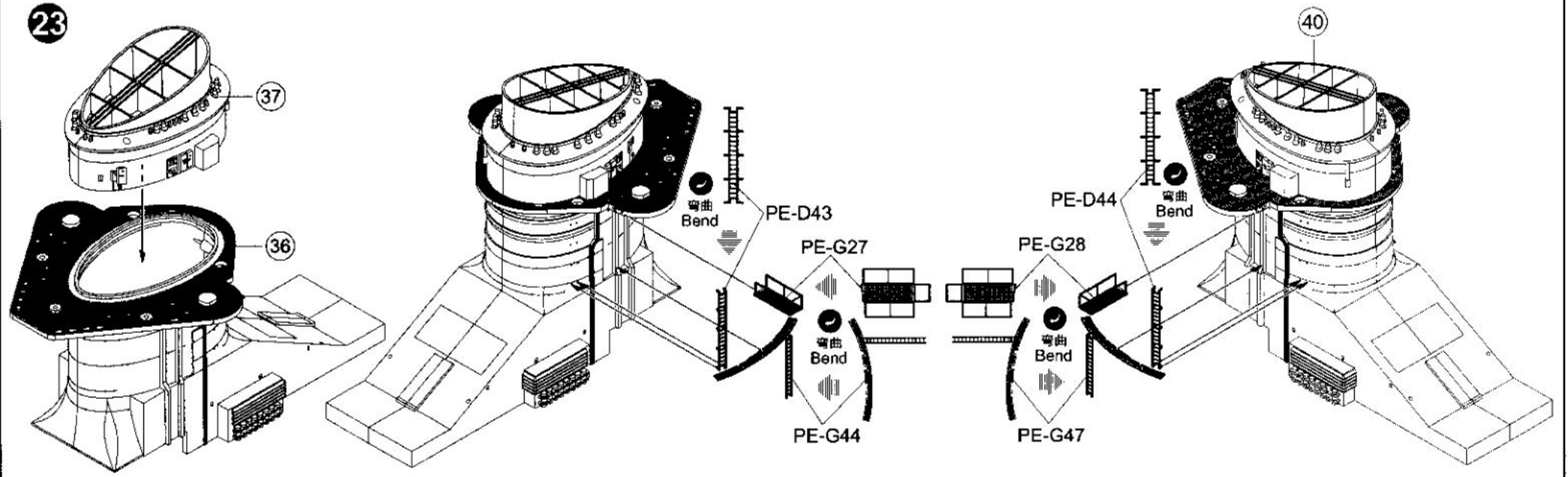


22

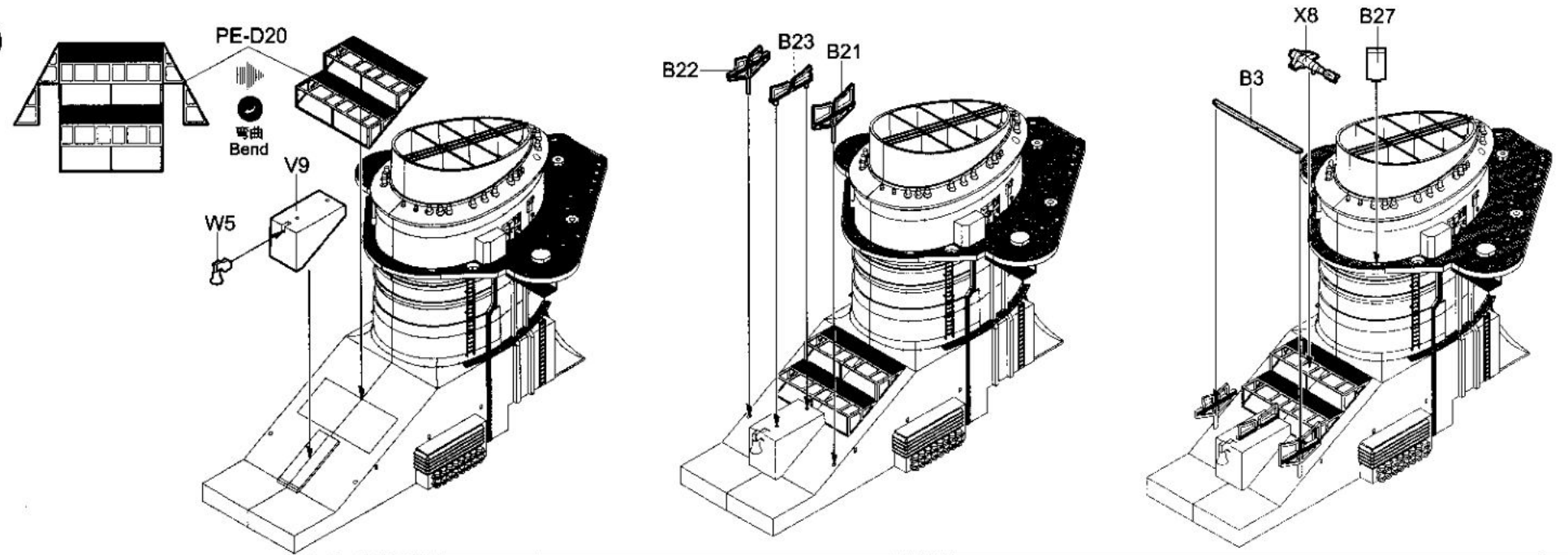




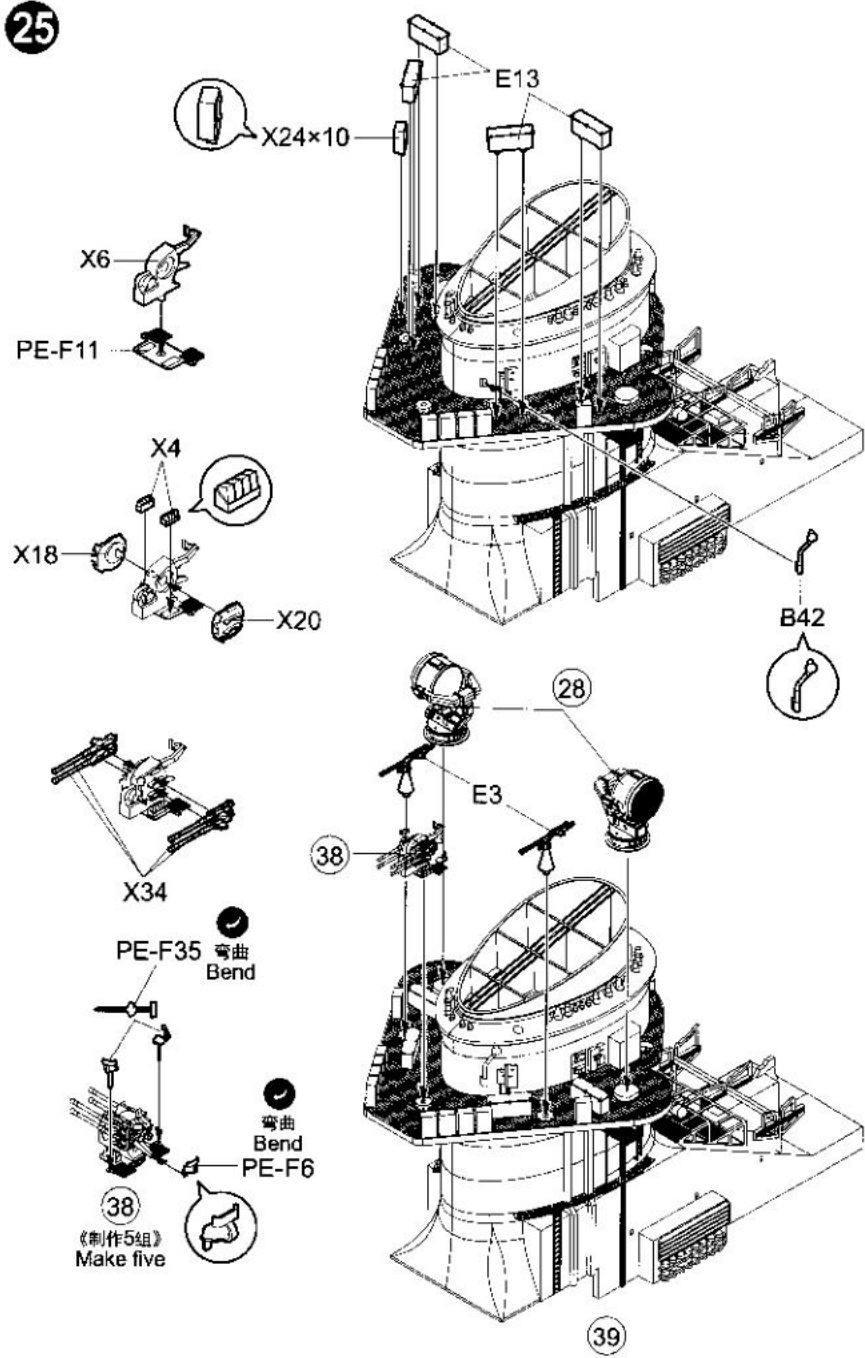
23



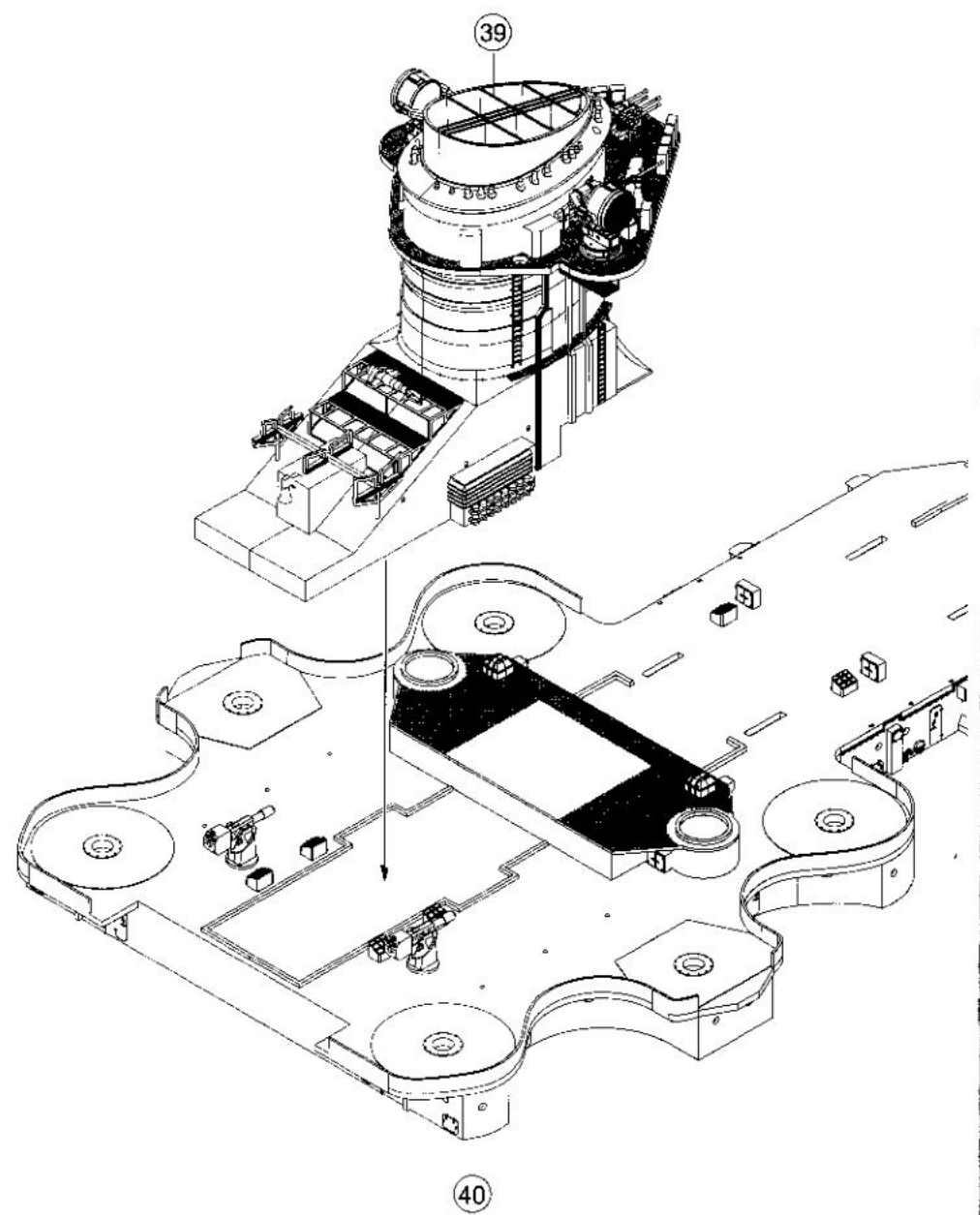
24



25



26



27

弯曲  
Bend  
PE-G1

PE-G48

弯曲  
Bend

40

F37  
F36  
F10  
《对侧相同》  
Both sides

PE-D39

B10

PE-D22

PE-D28

B11

PE-D40

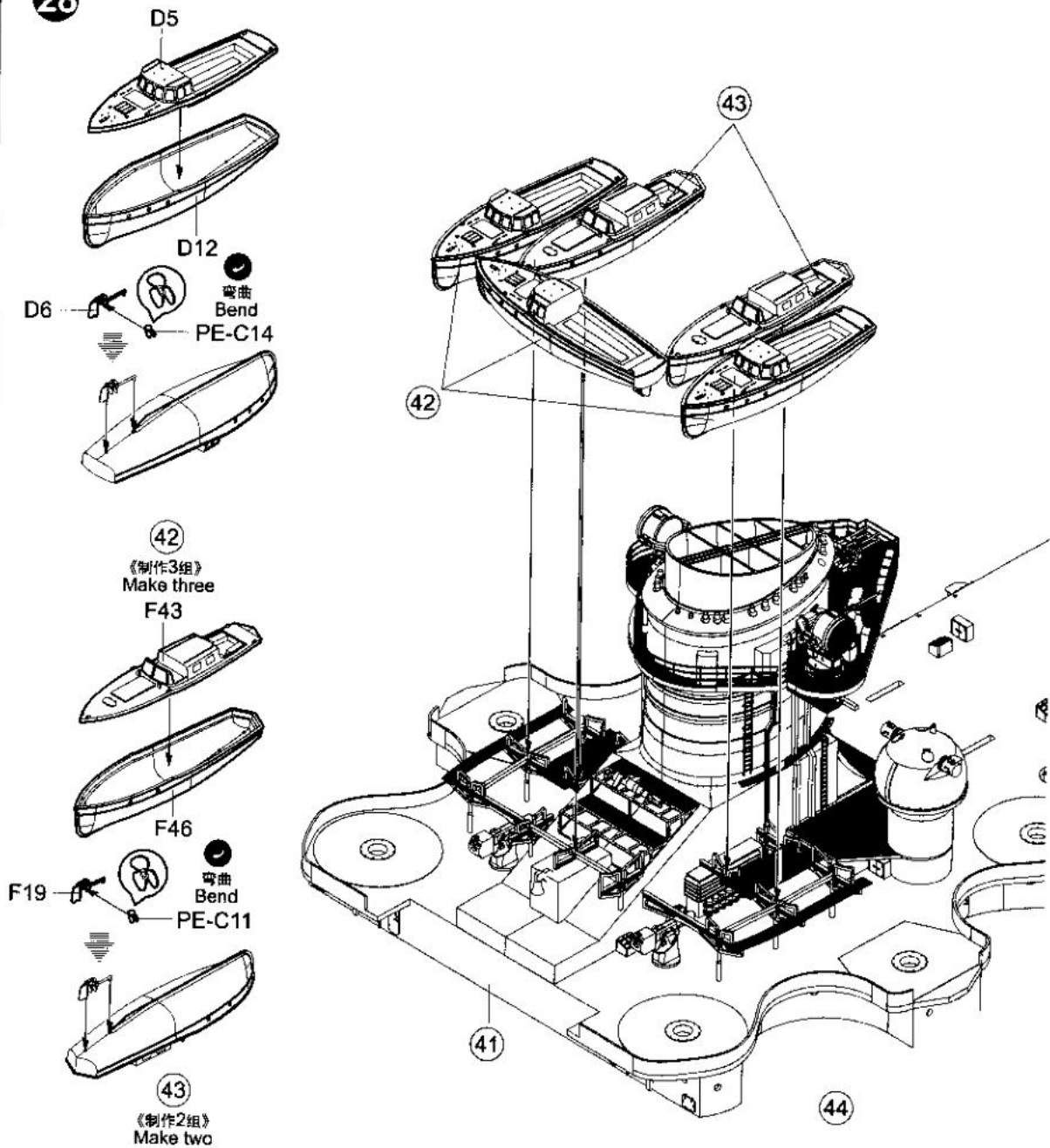
《对侧相同》  
Both sides

21

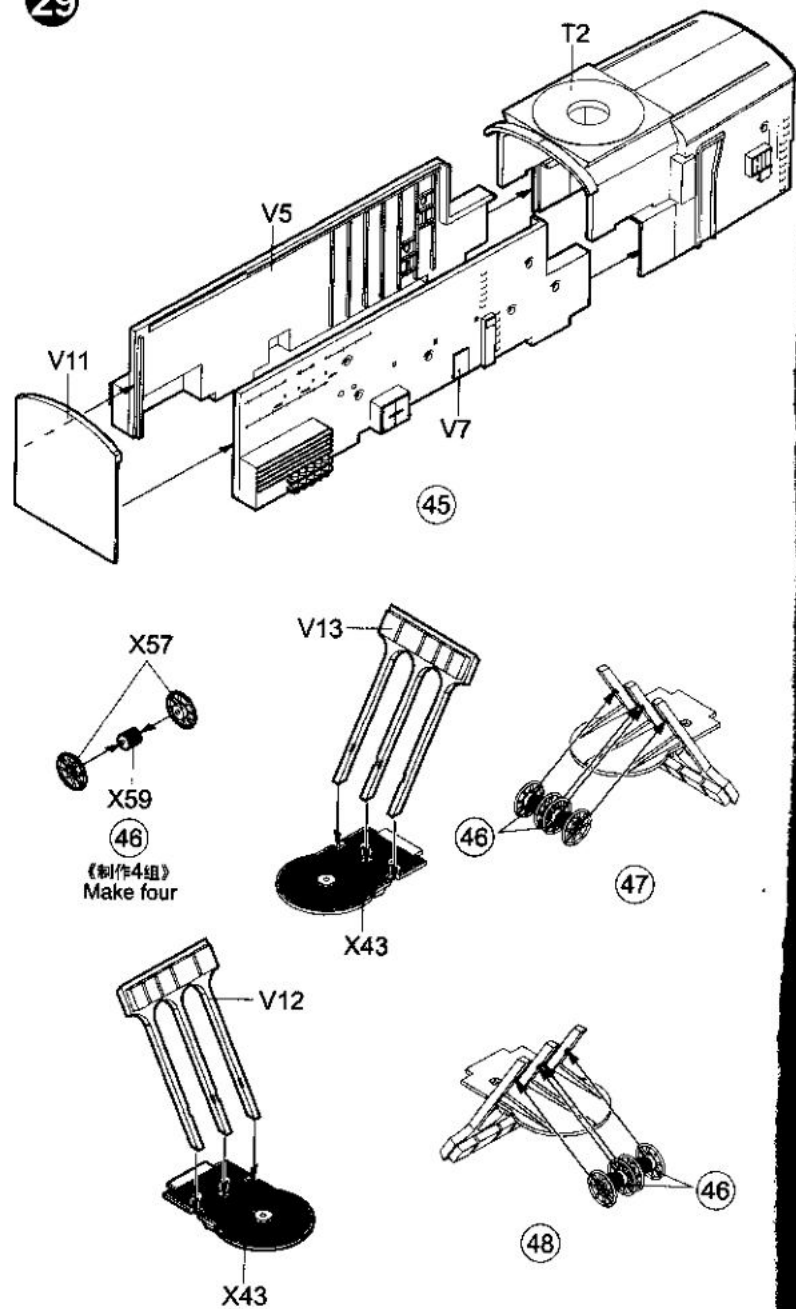
《制作2组》  
Make two  
F14

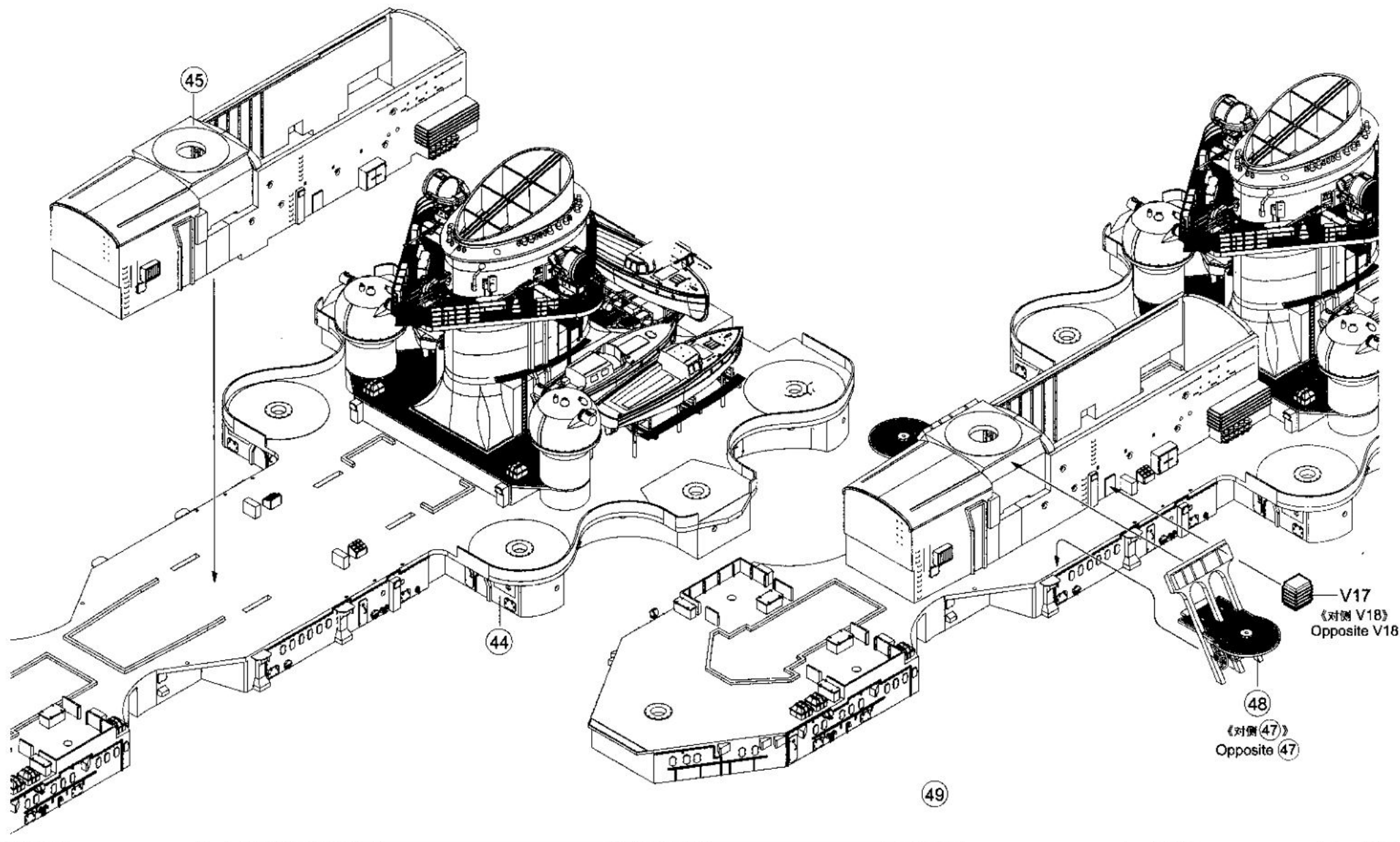
41

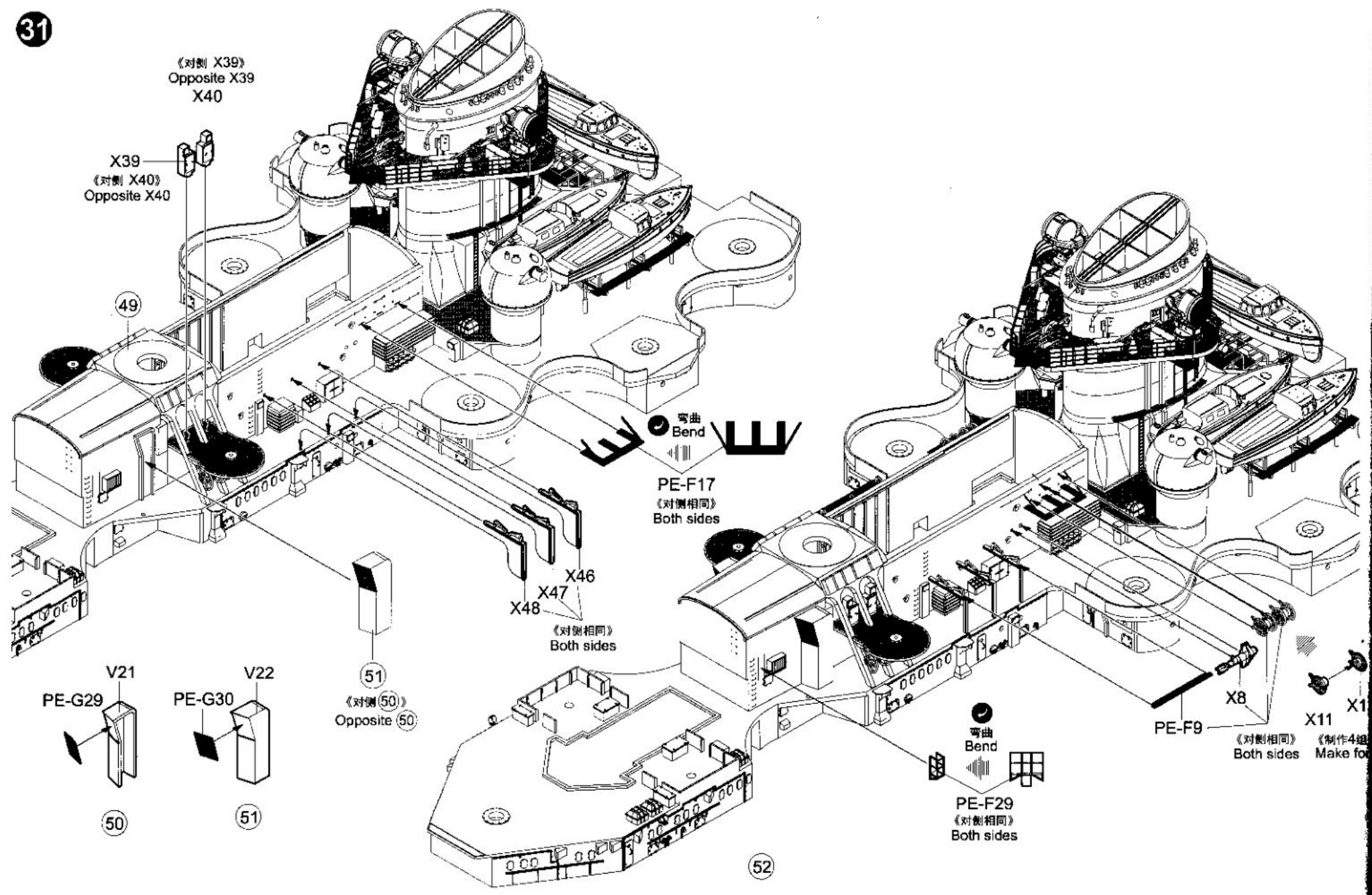
28

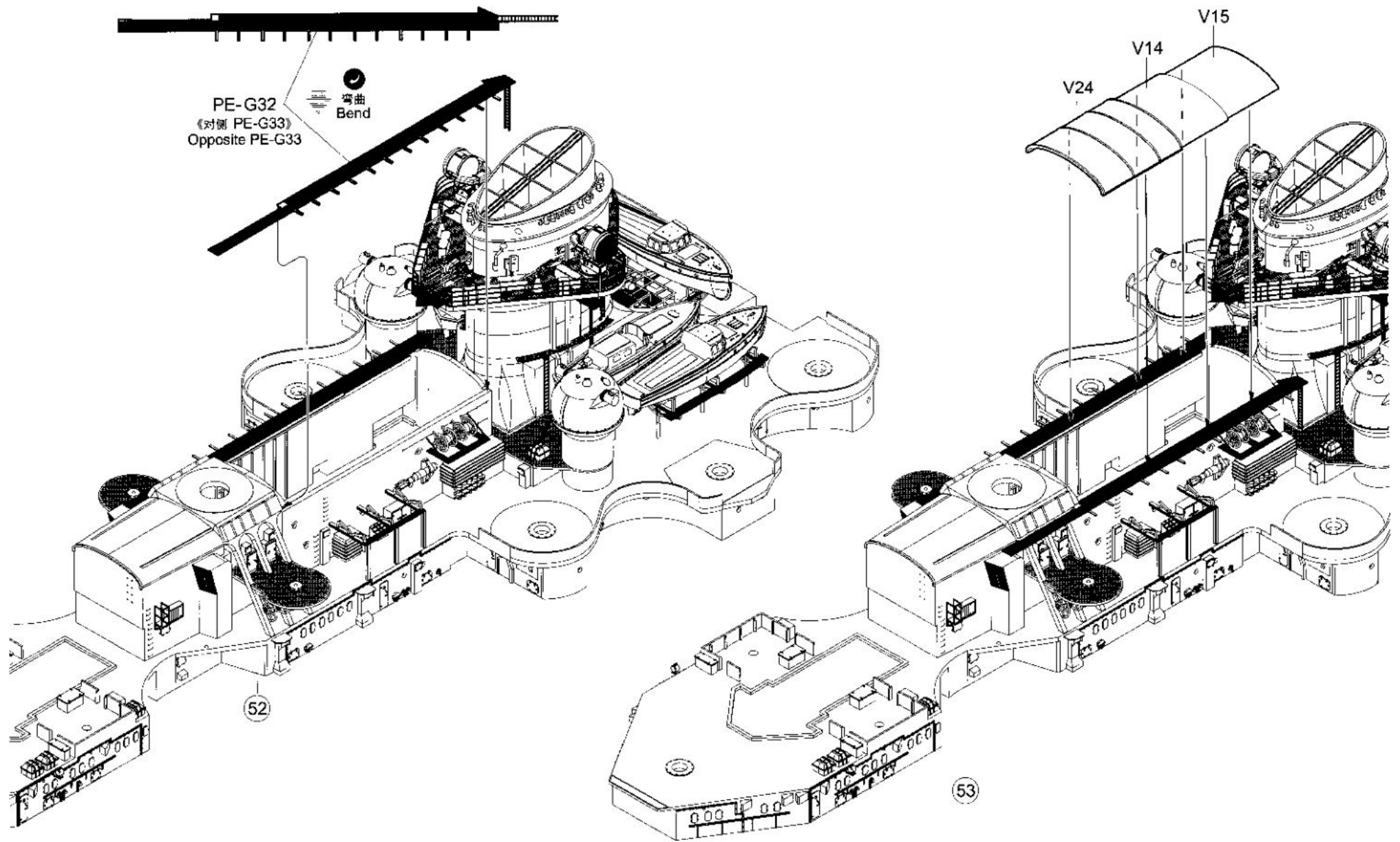


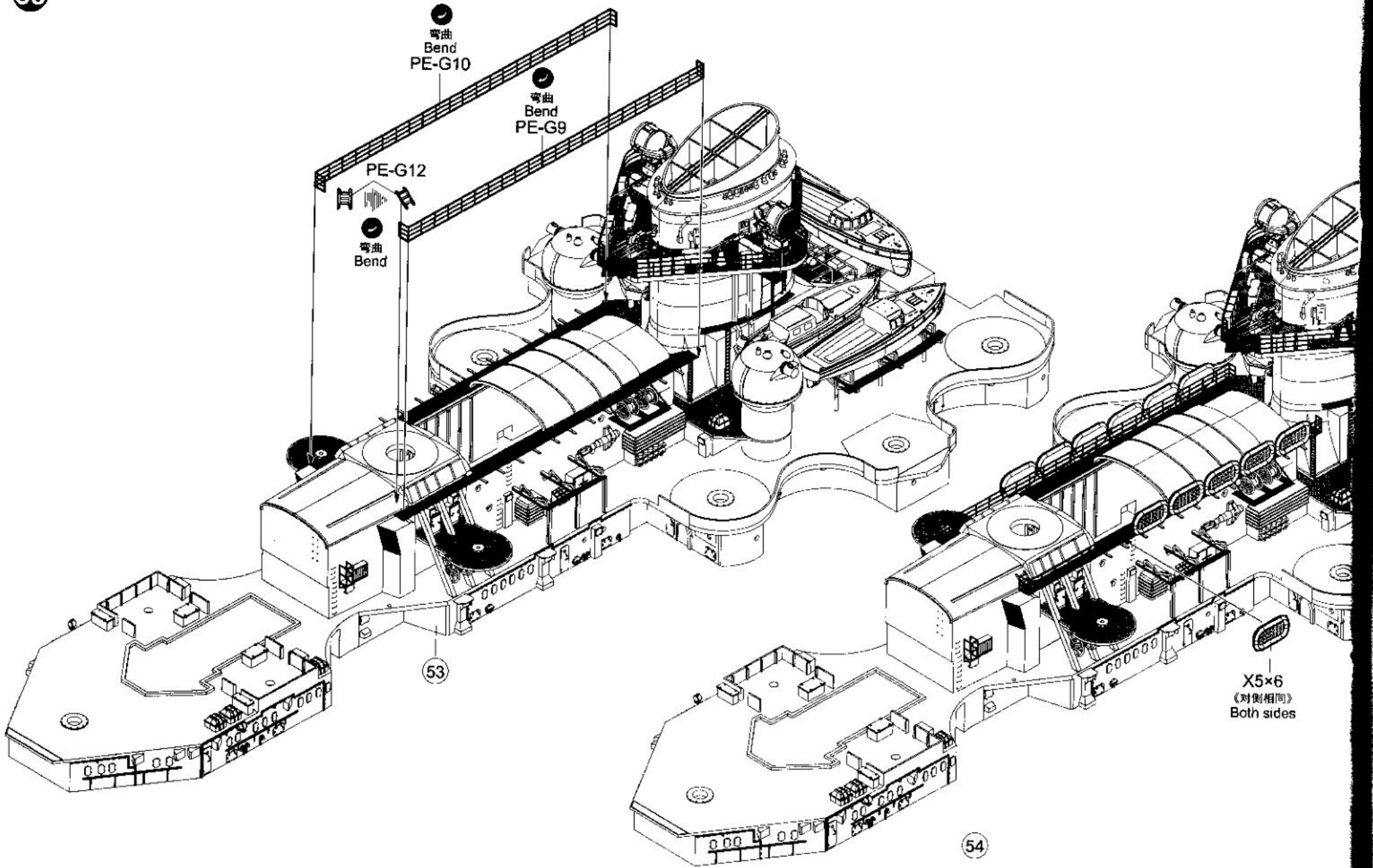
29





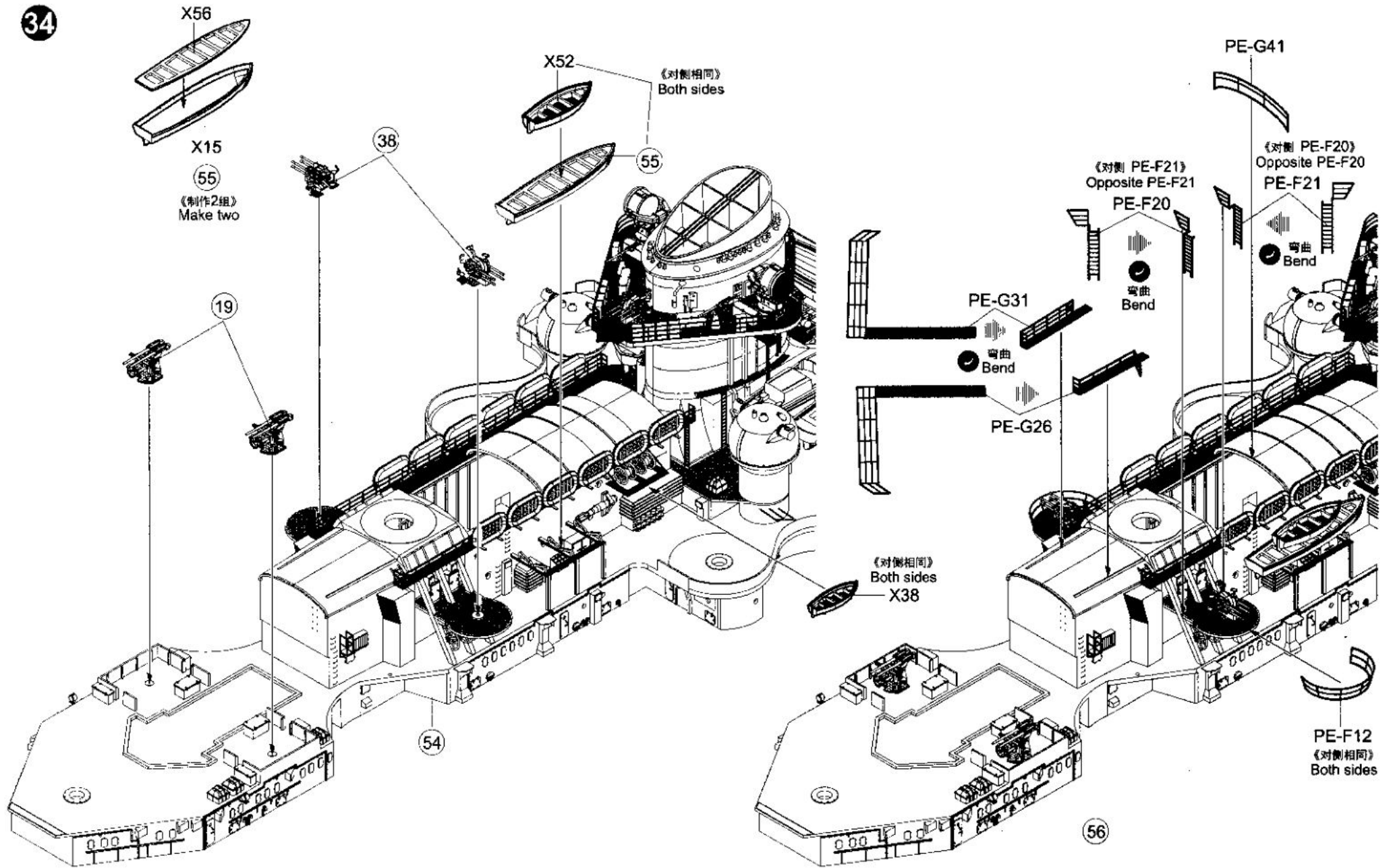




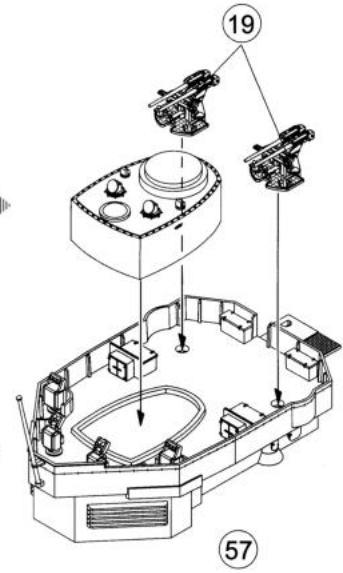
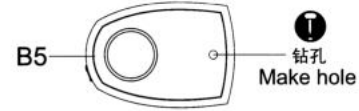
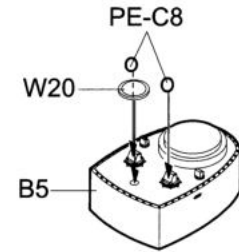
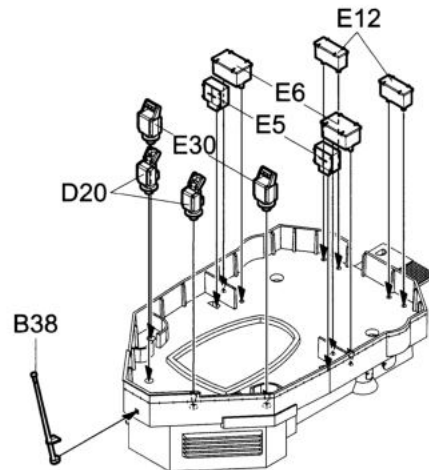
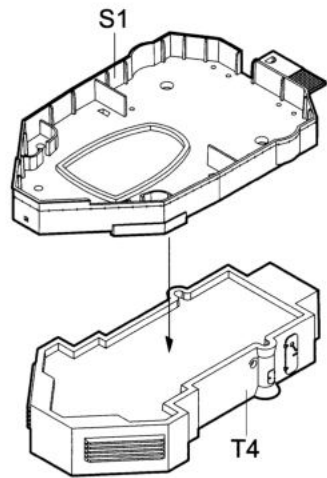




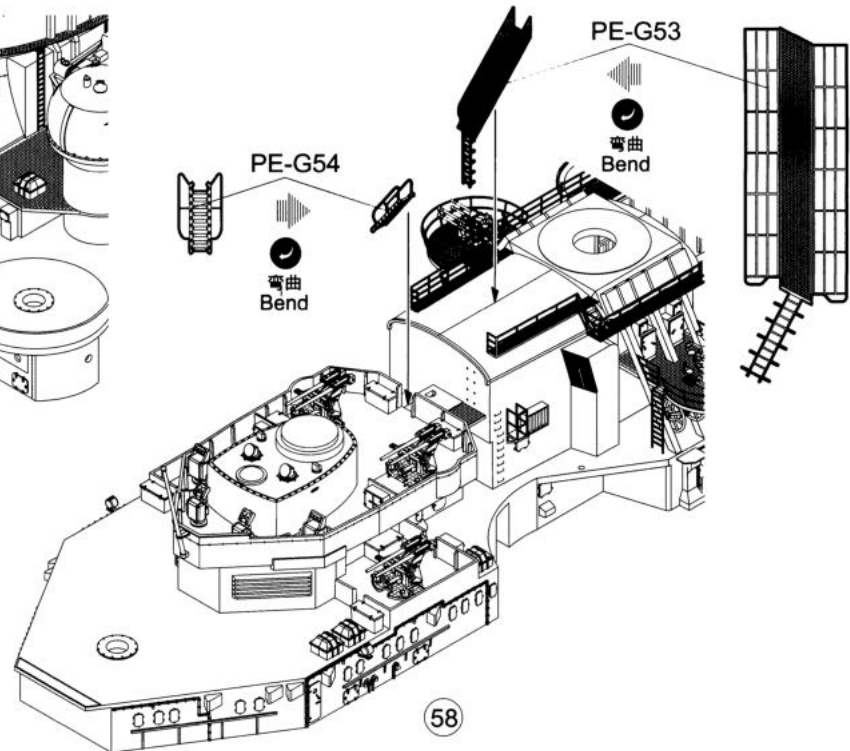
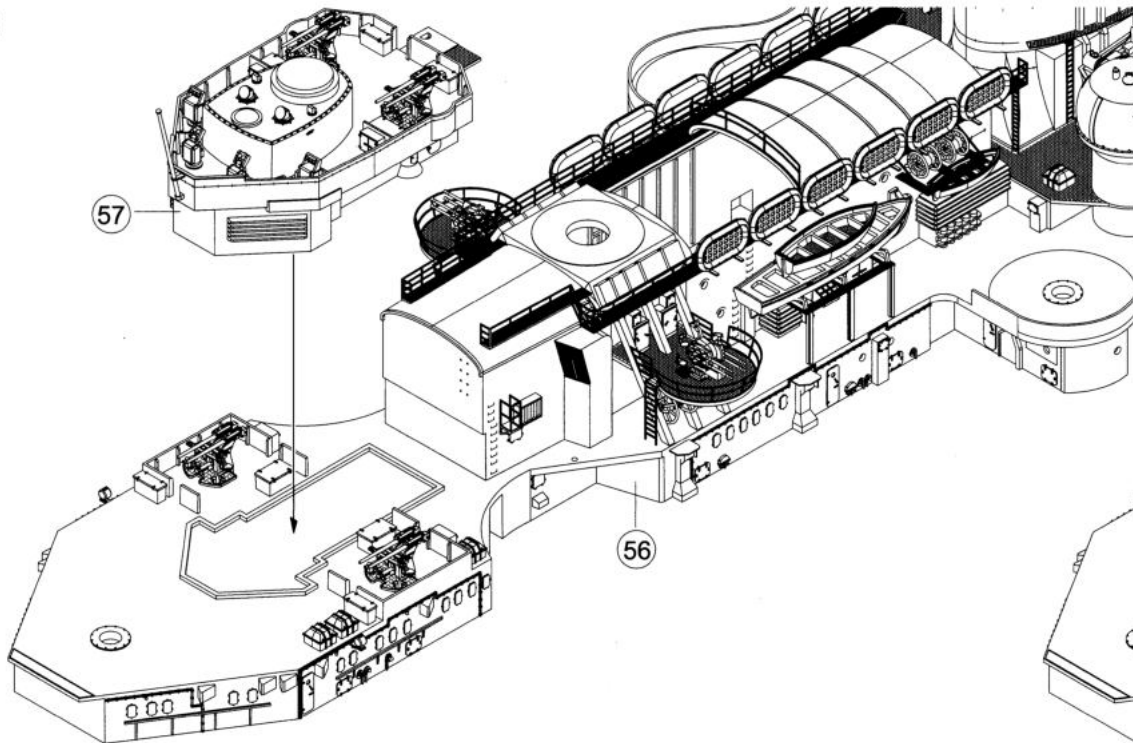
34



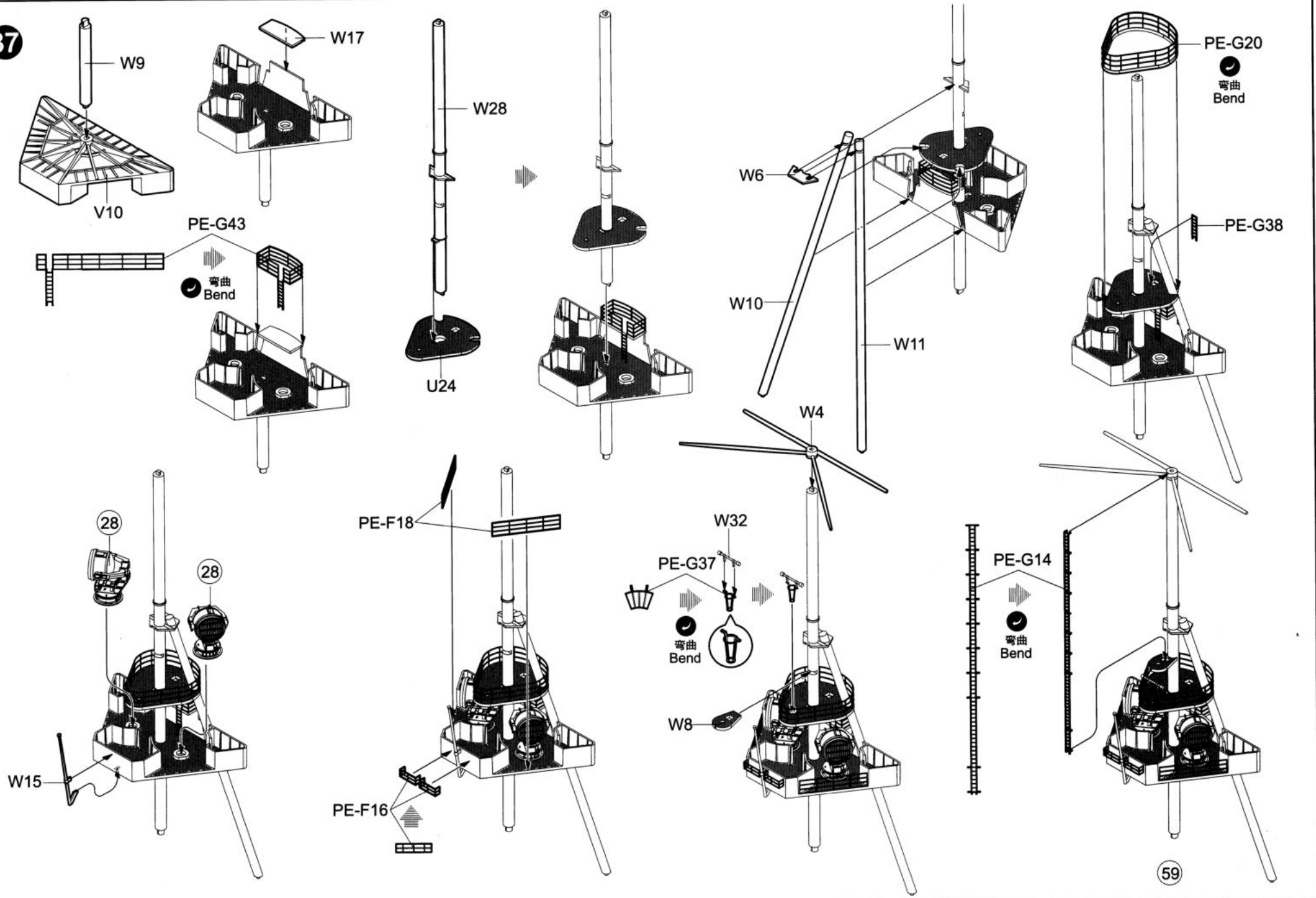
35



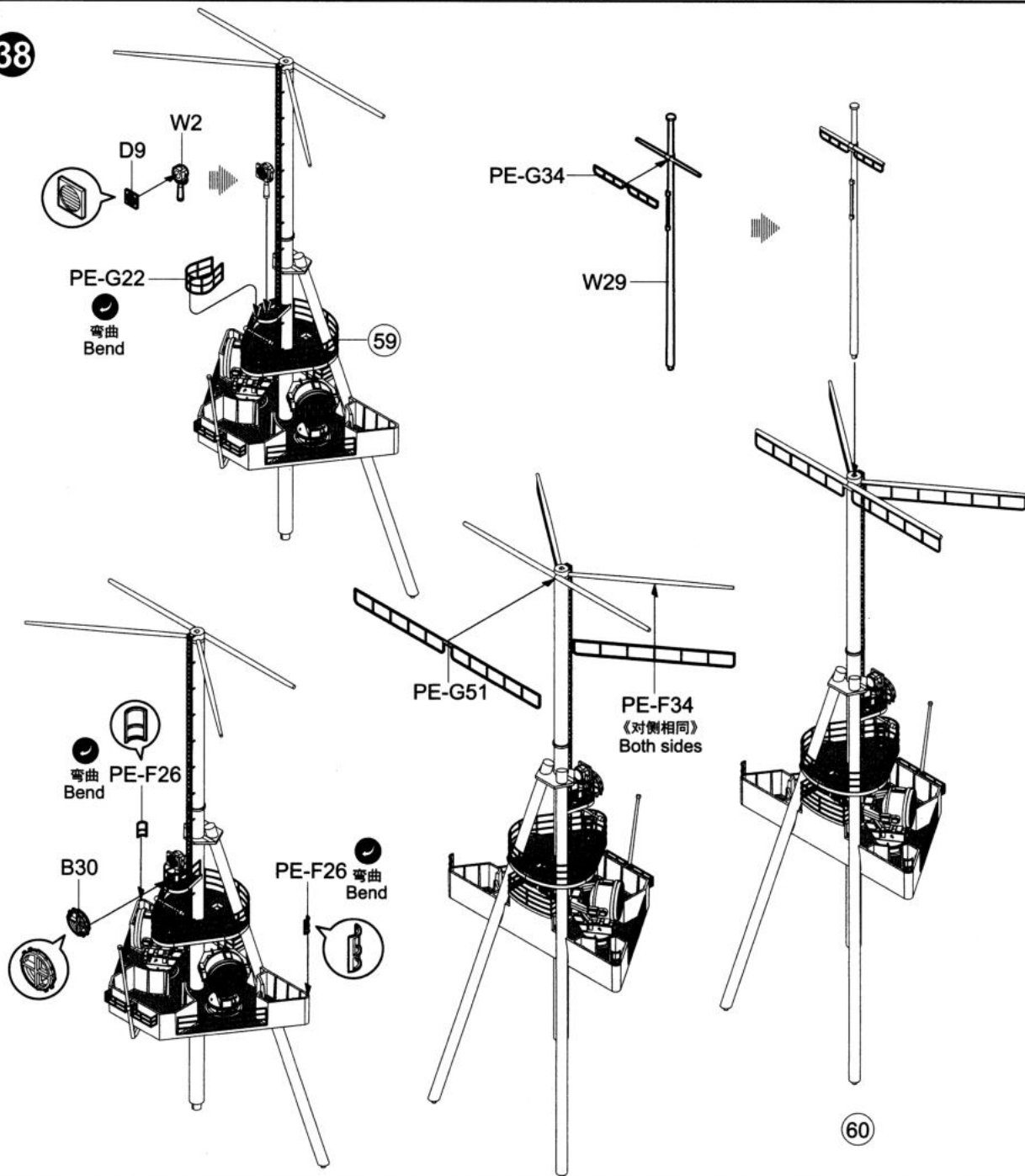
36



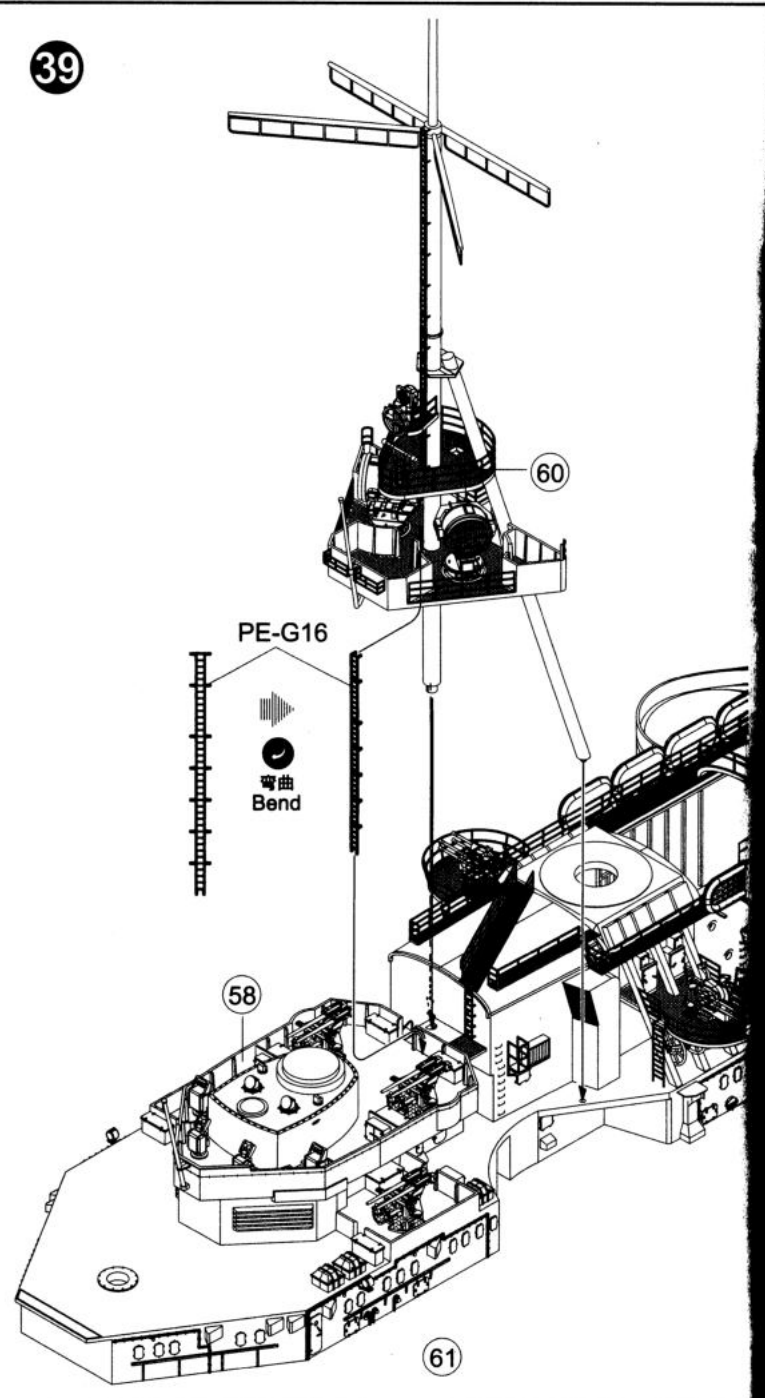
37



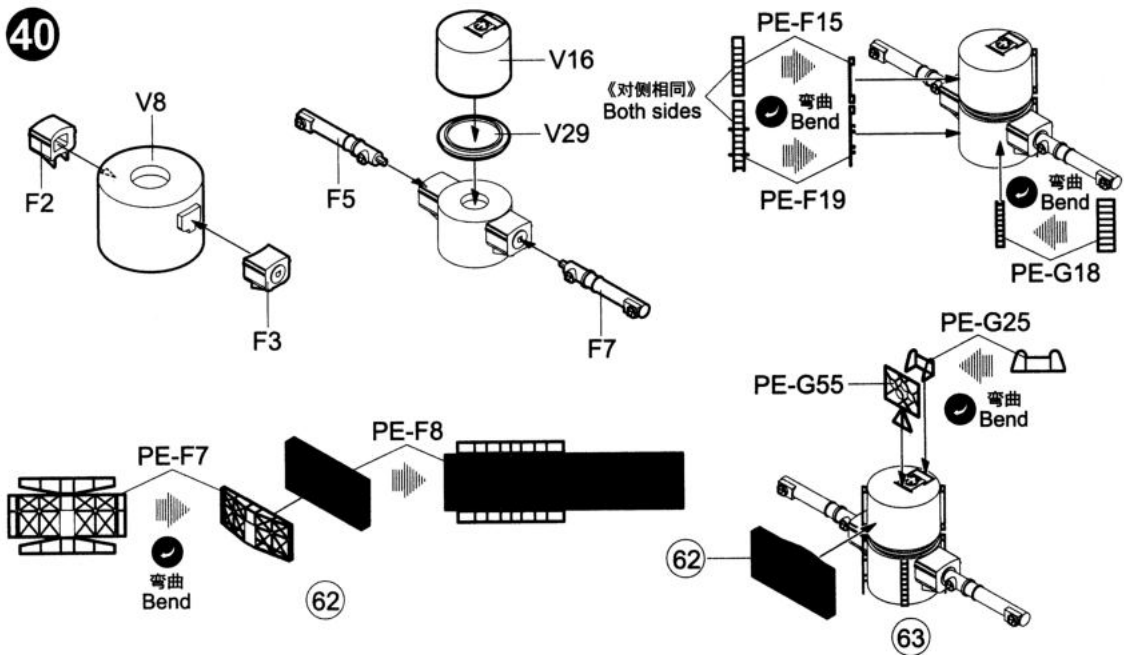
38



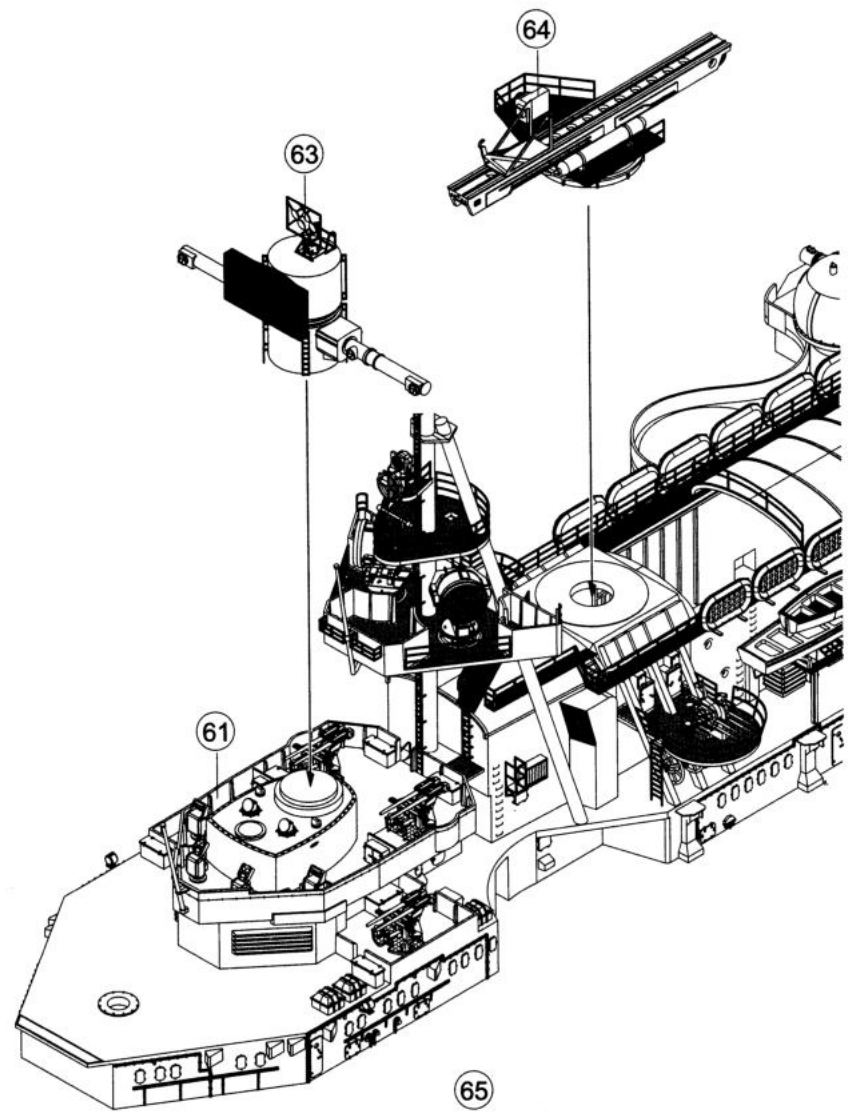
39



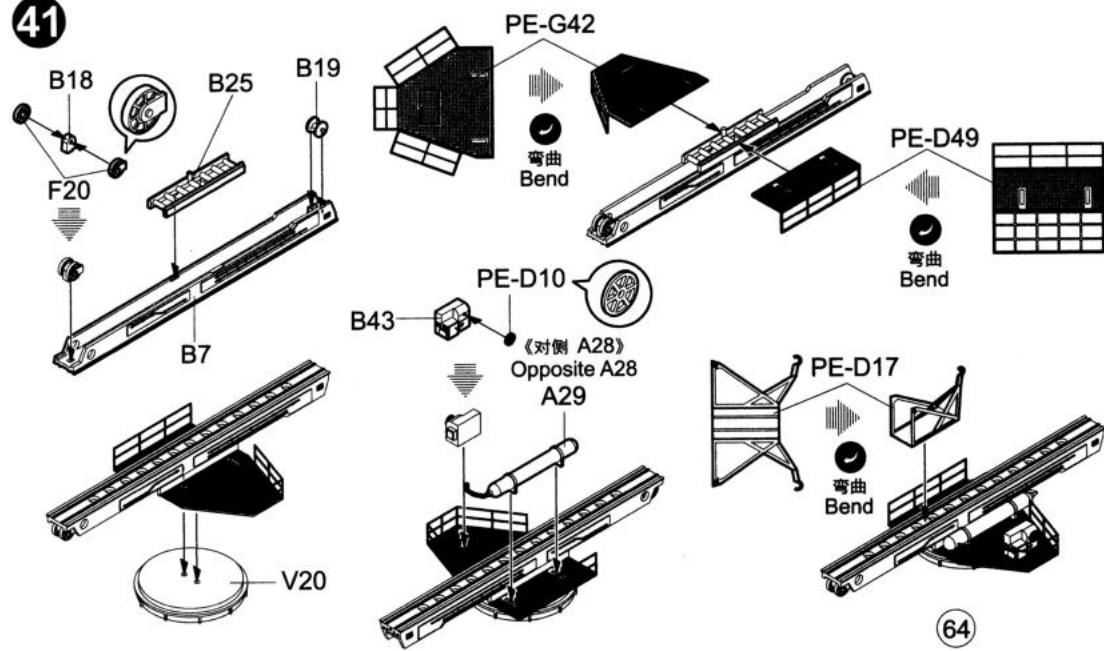
40

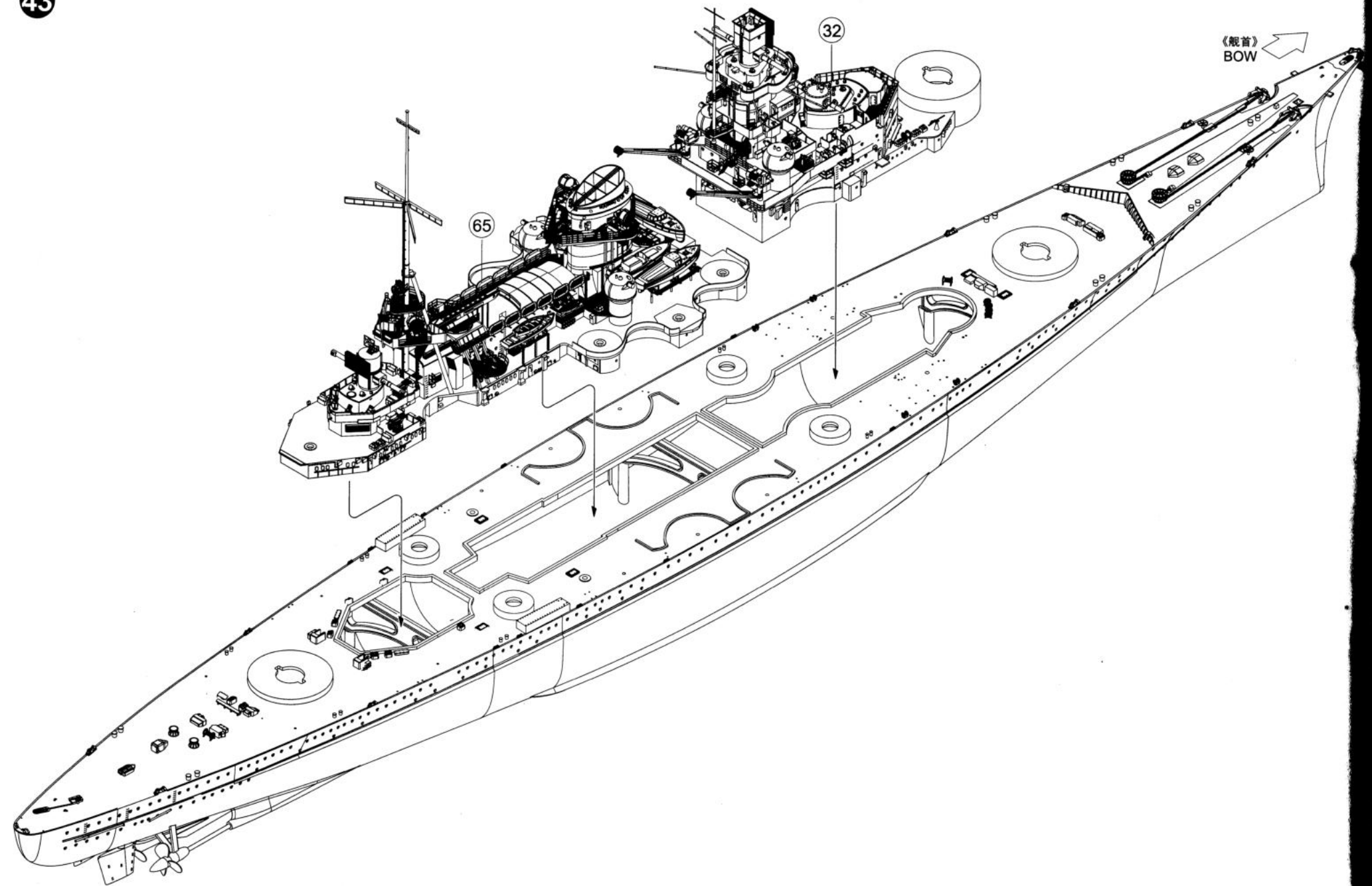


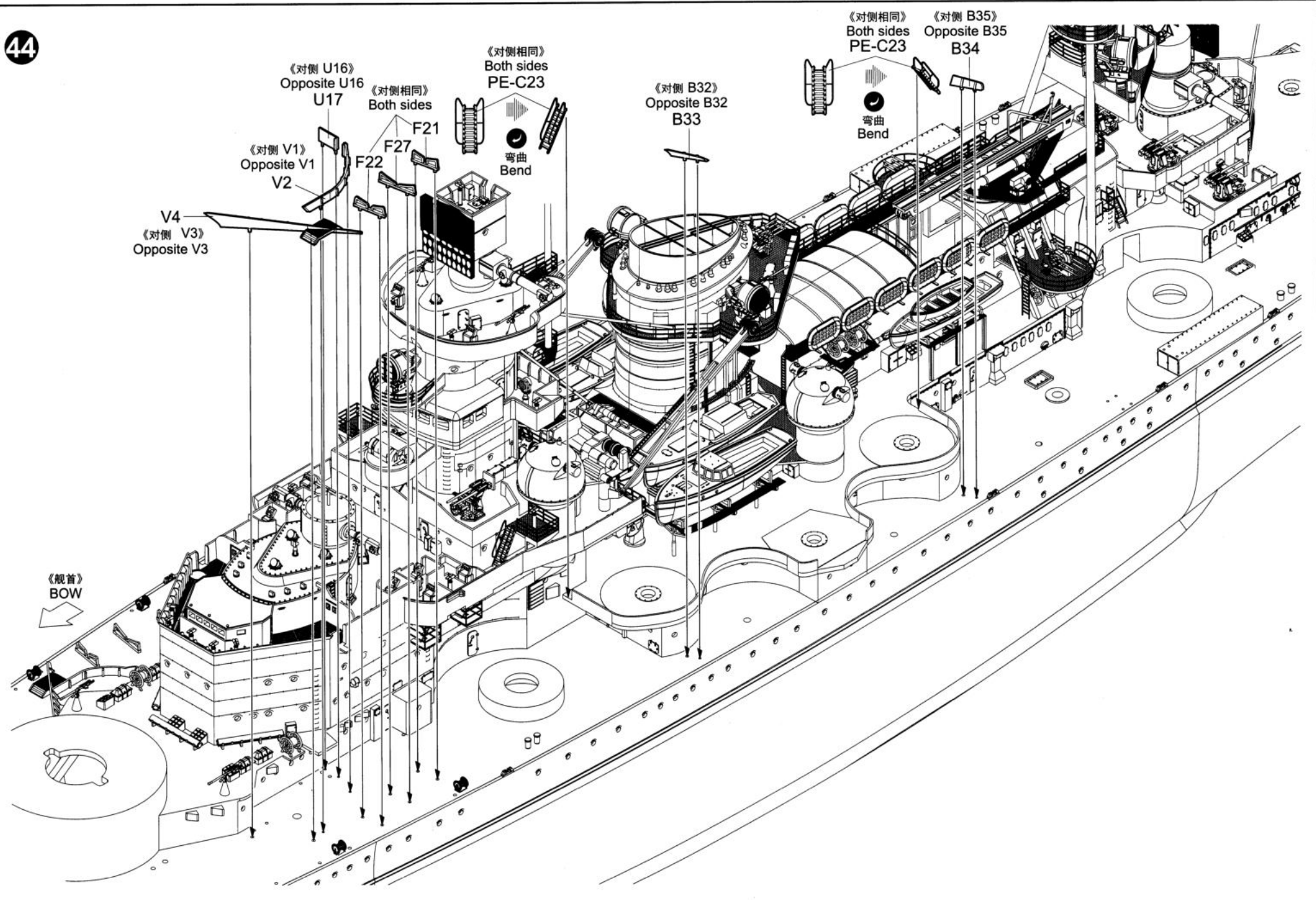
42



41







45



弯曲  
Bend

66 PE-F31

《制作4组》  
Make four

PE-C24



弯曲  
Bend

X66

E6

V19

X42

《舰首》  
BOW

66

《对侧相同》  
Both sides

46

X42

PE-C24



弯曲  
Bend

X66

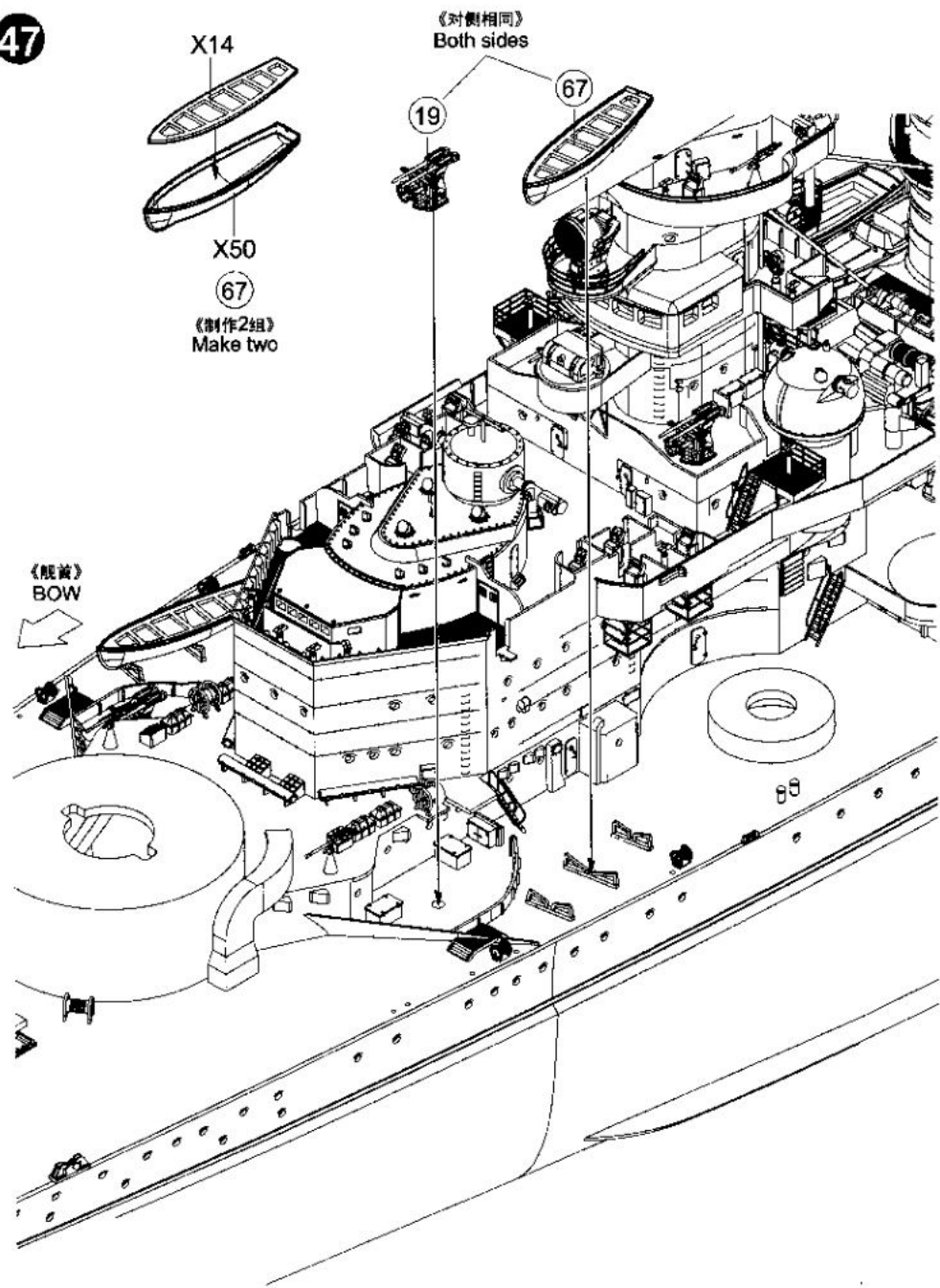
E6

V28

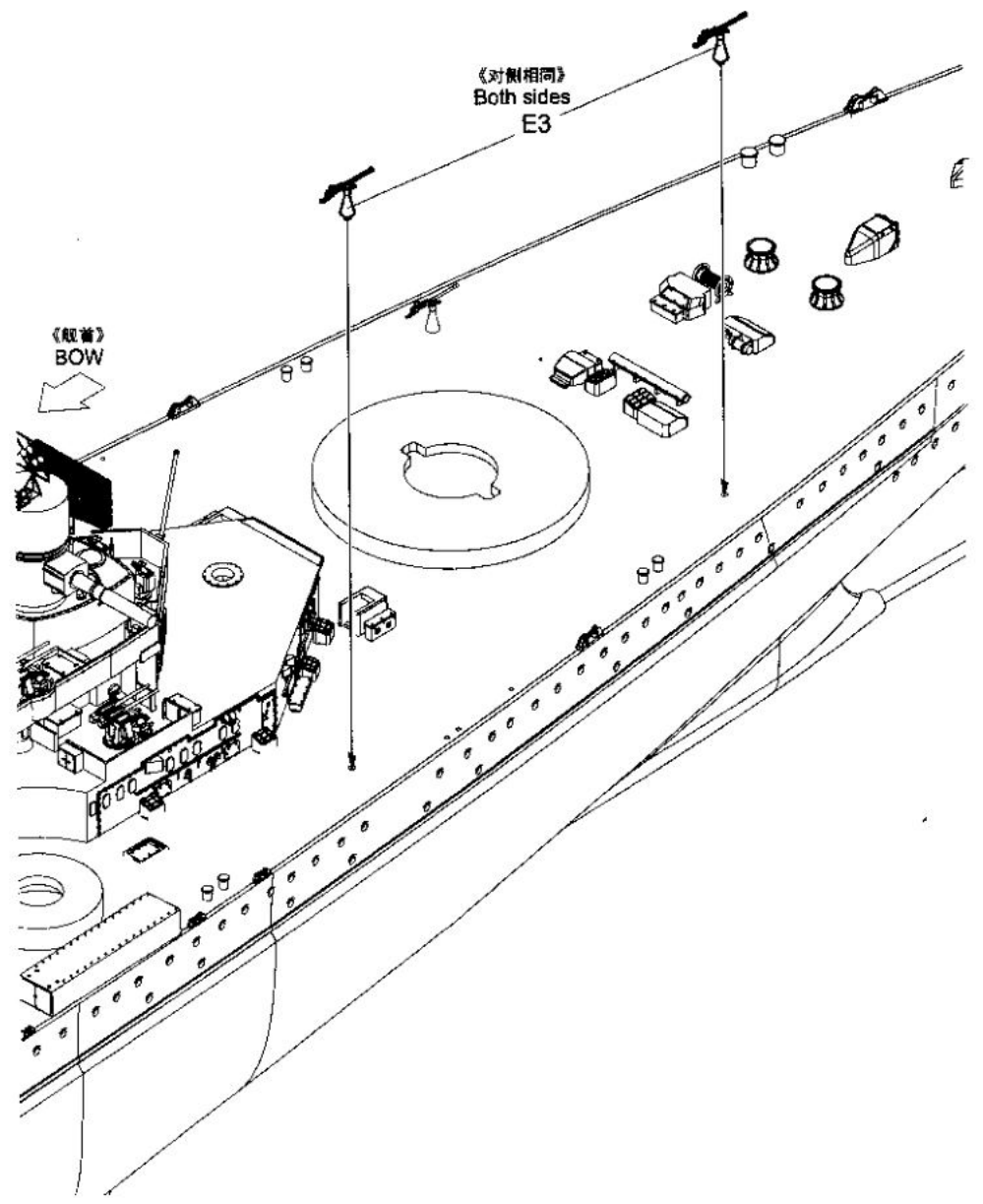
《舰首》  
BOW



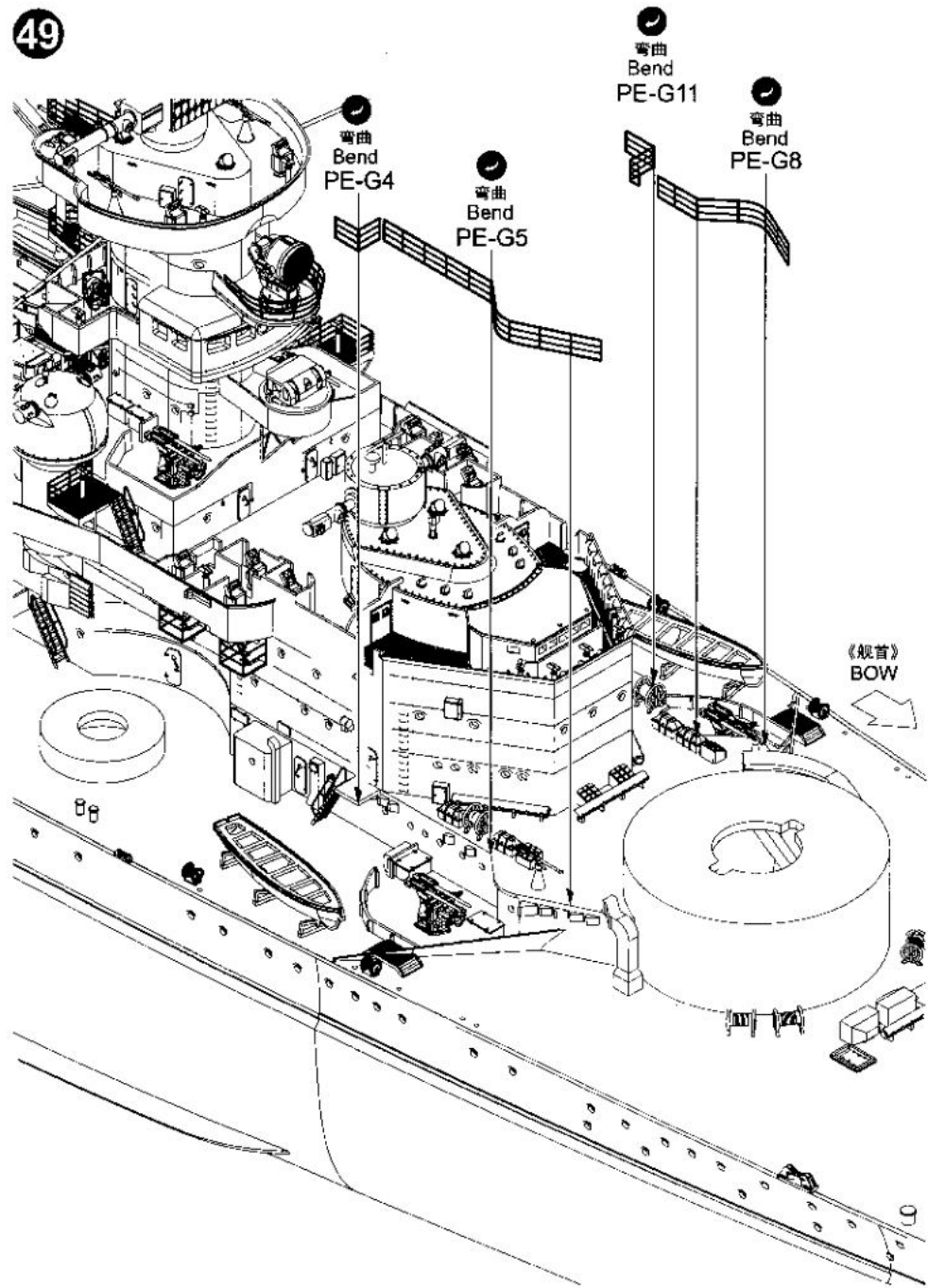
47



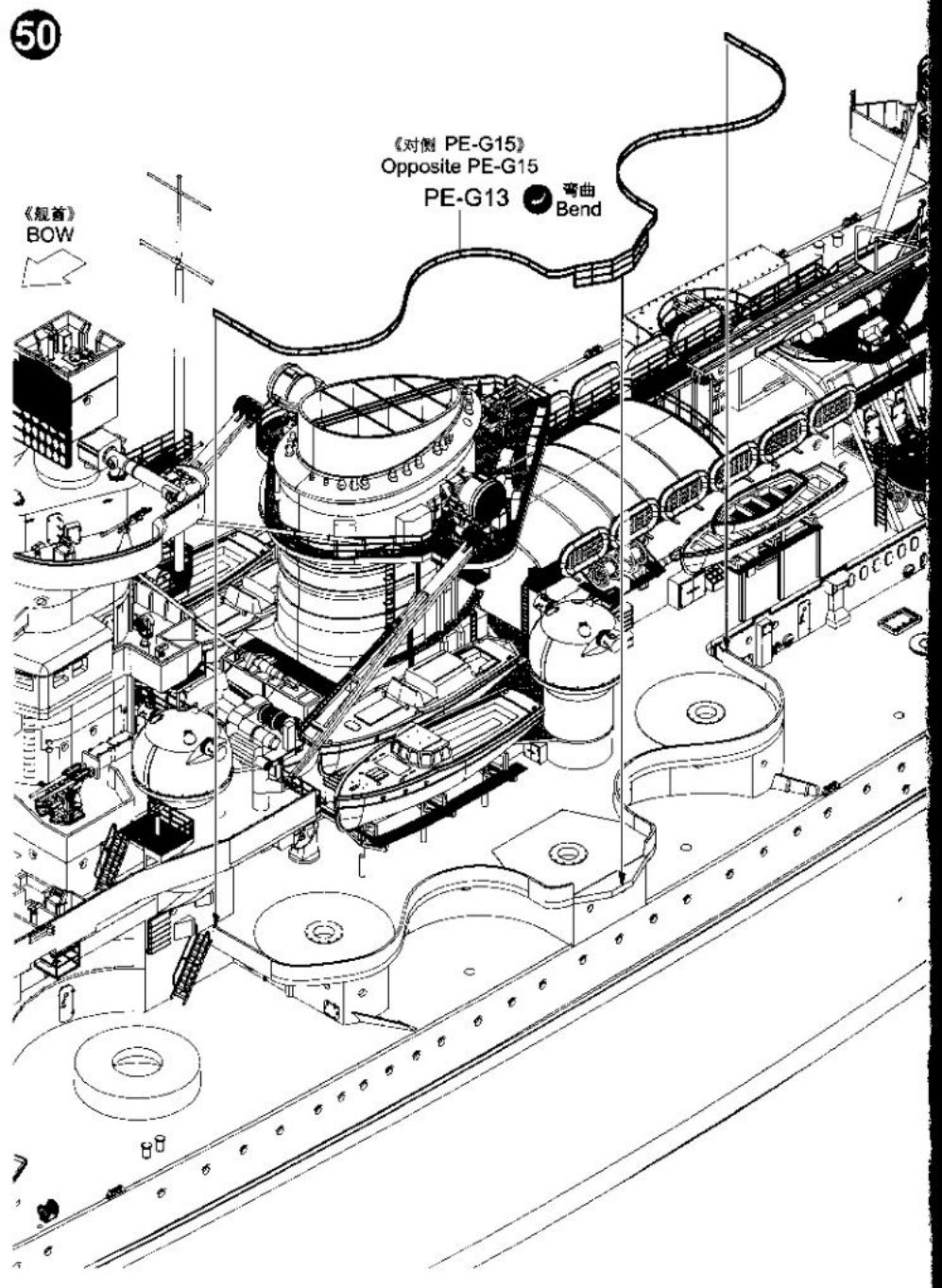
48



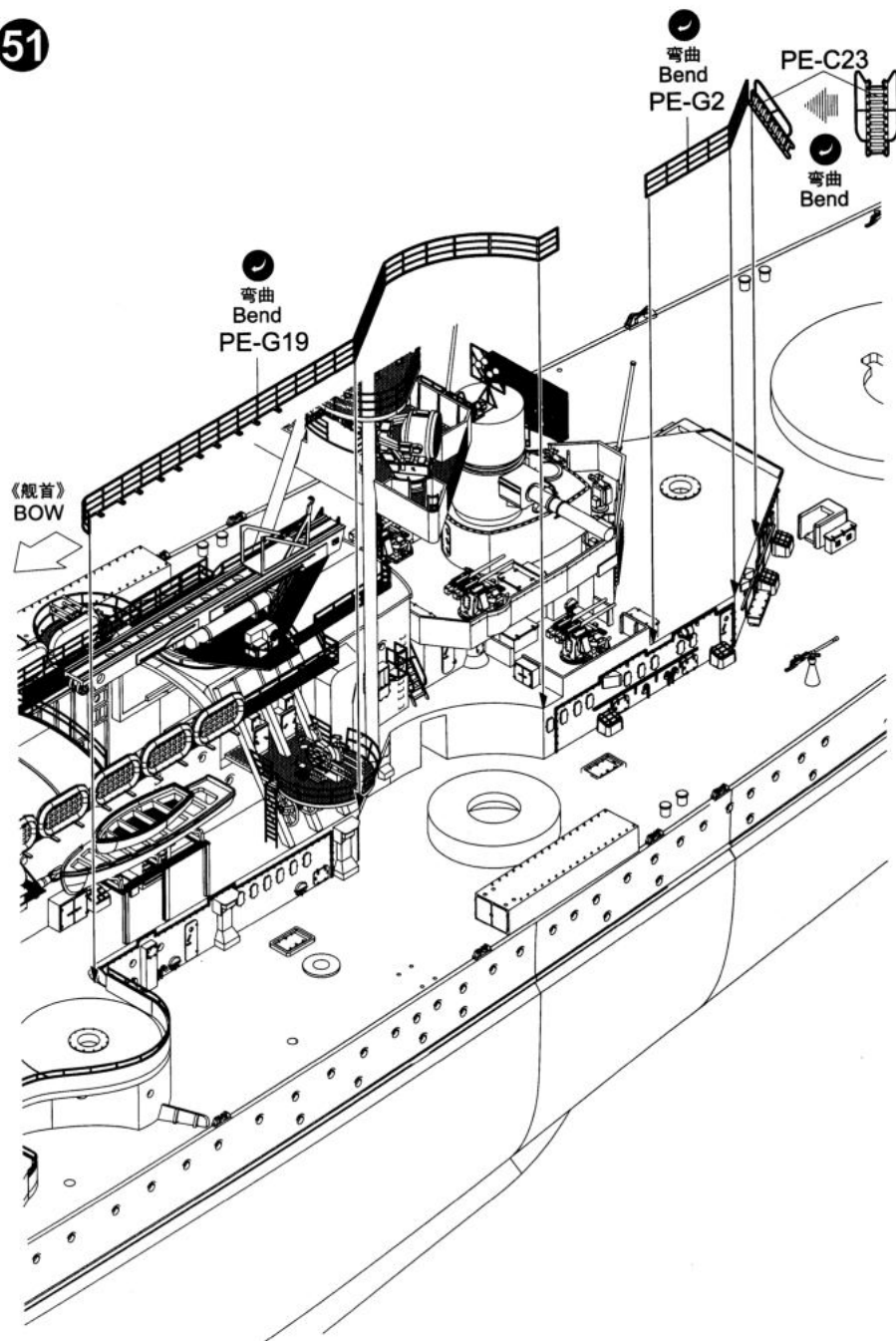
49



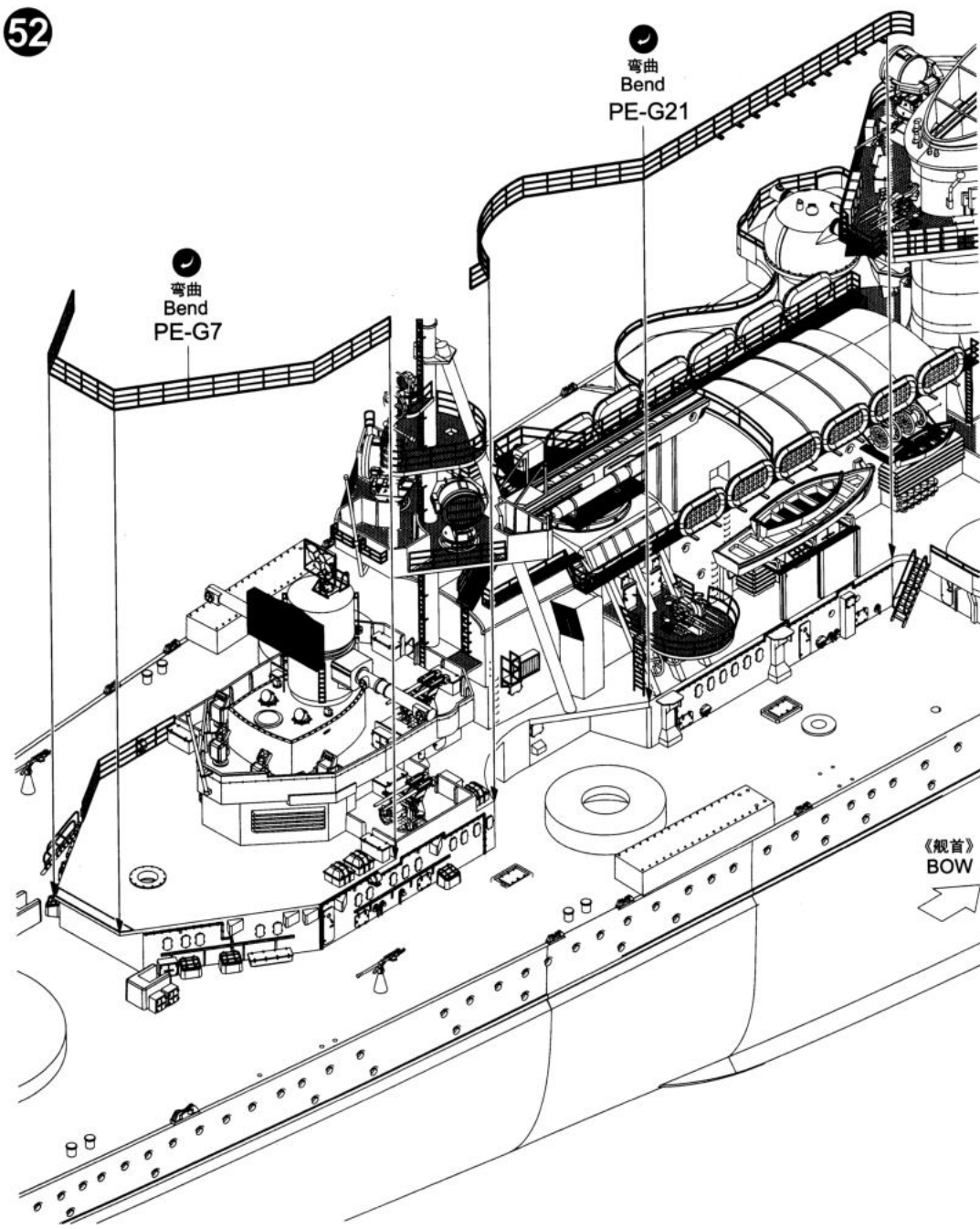
50



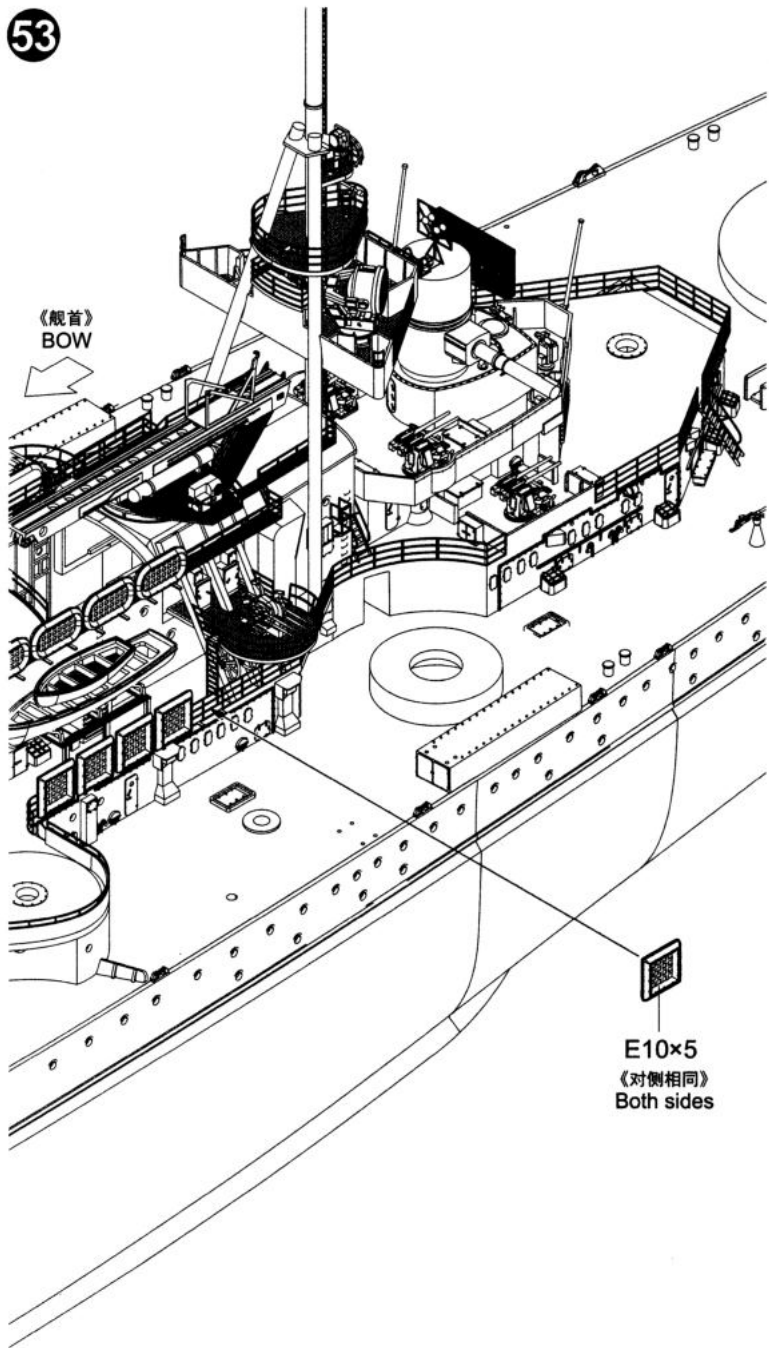
51



52

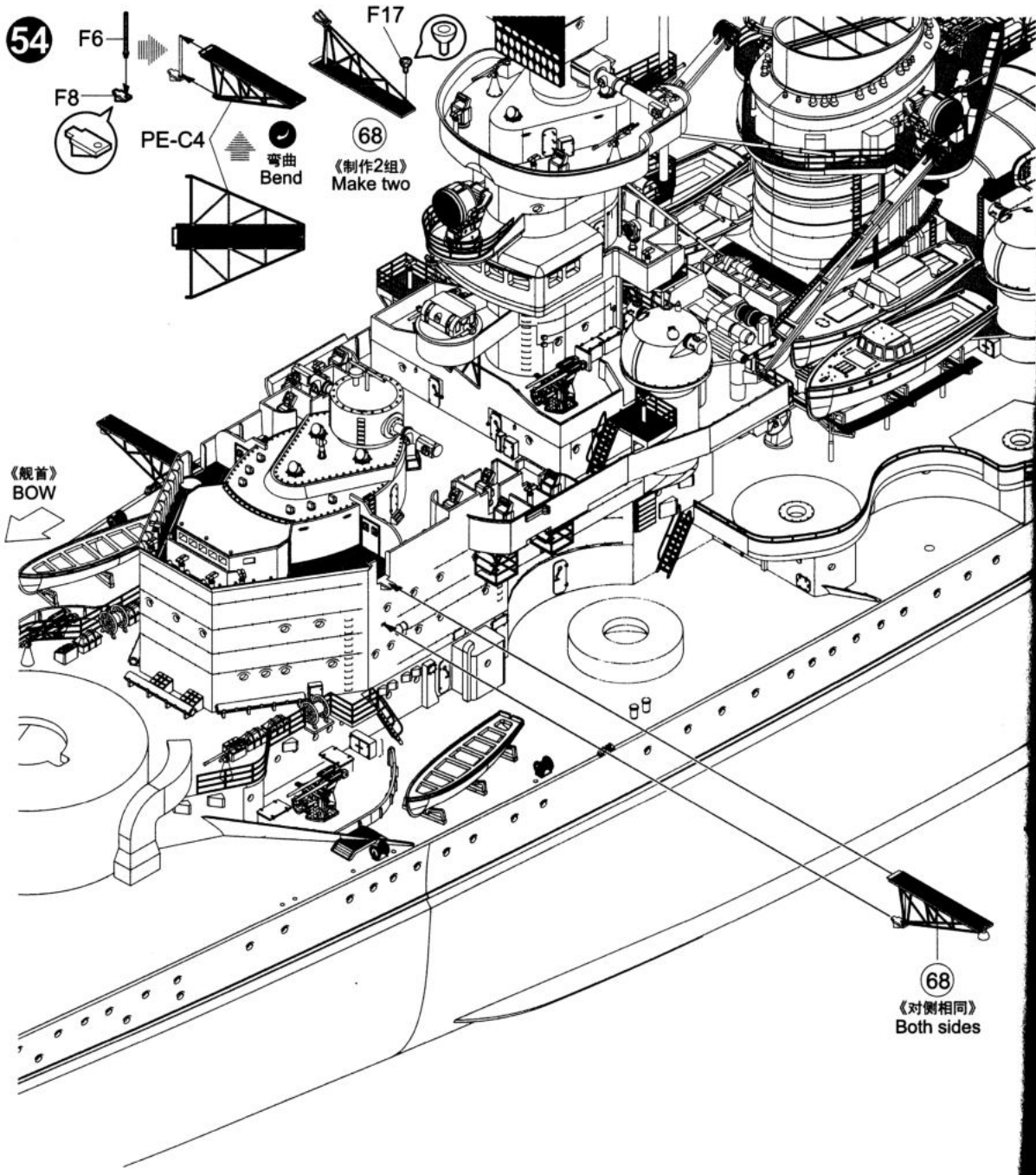


53



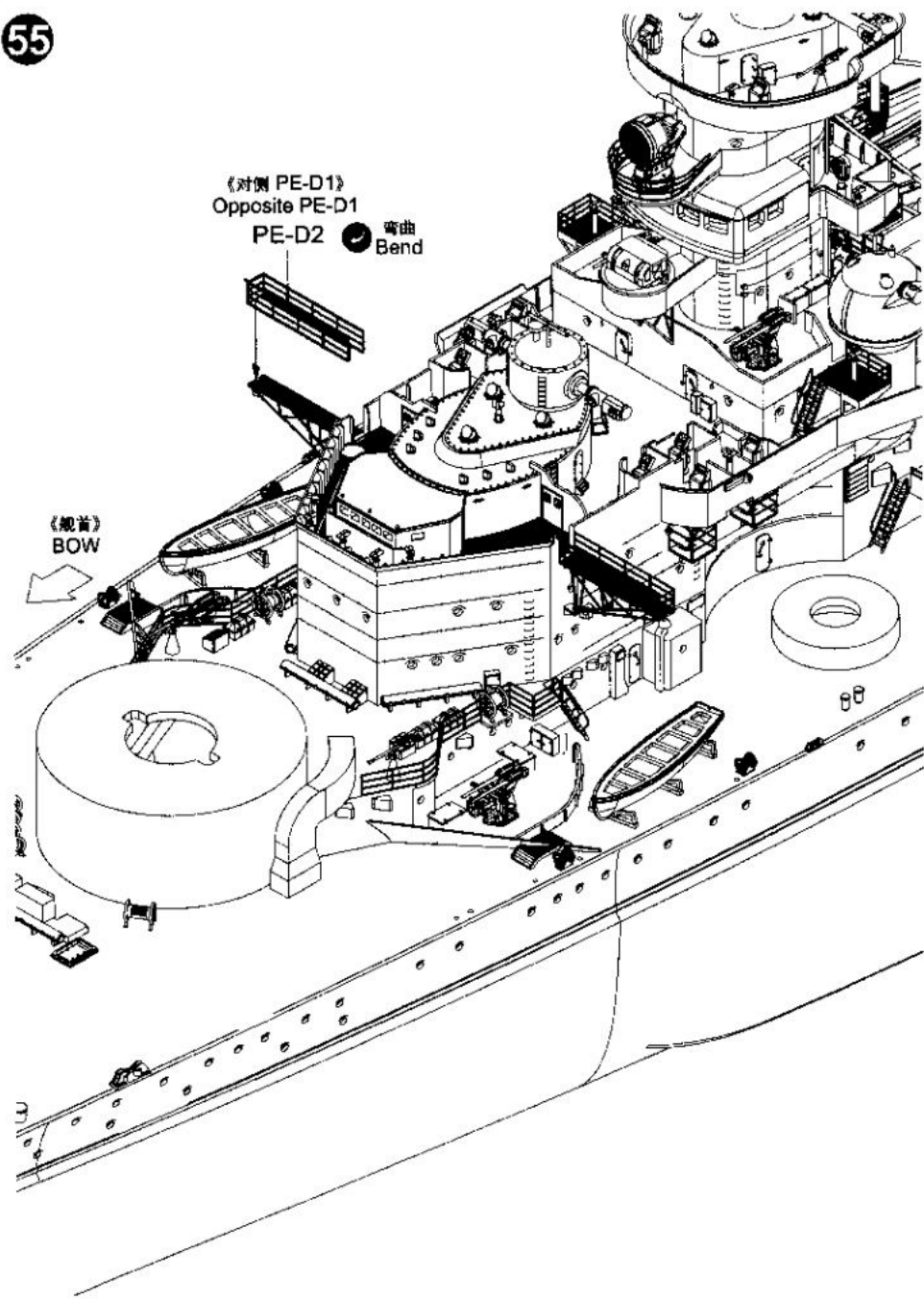
03715

54



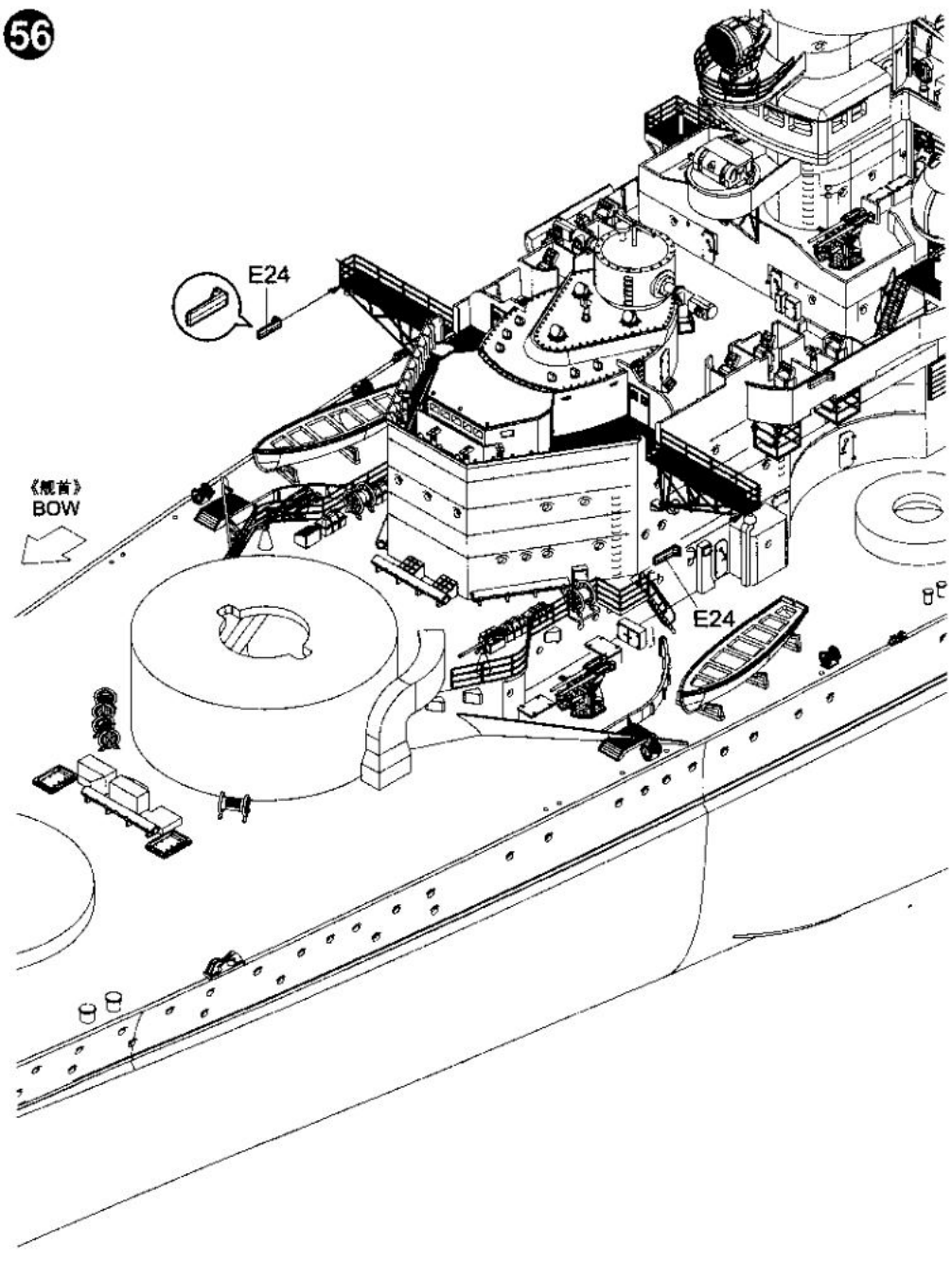
44

55



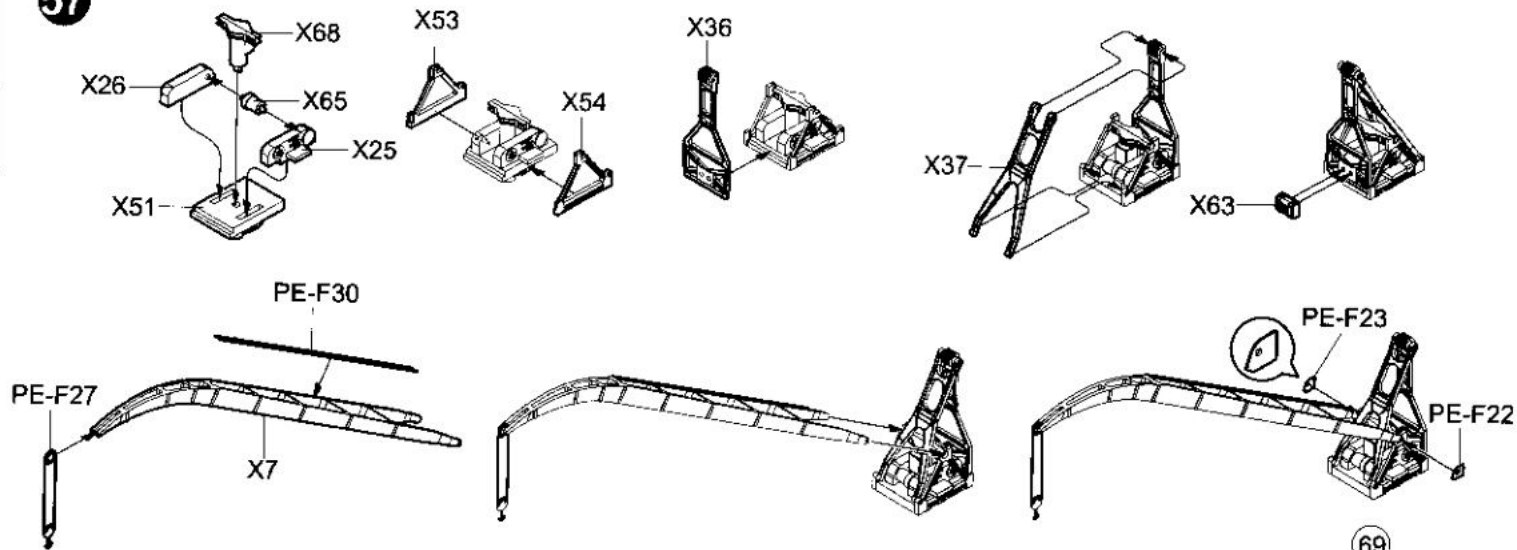
03715

56



45

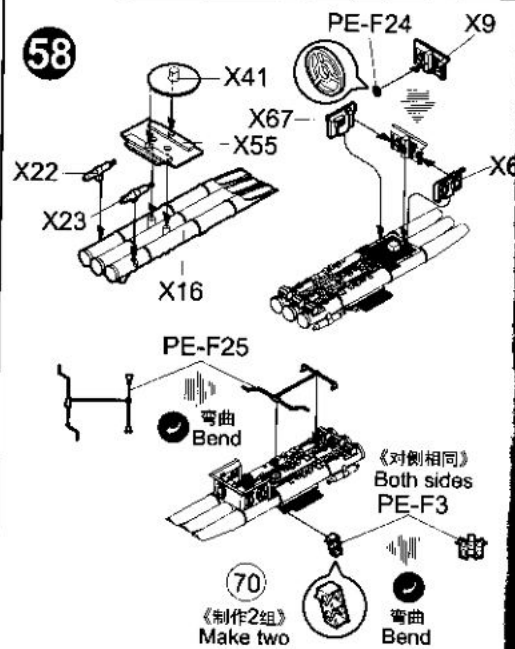
57



69

《制作2组》  
Make two

58

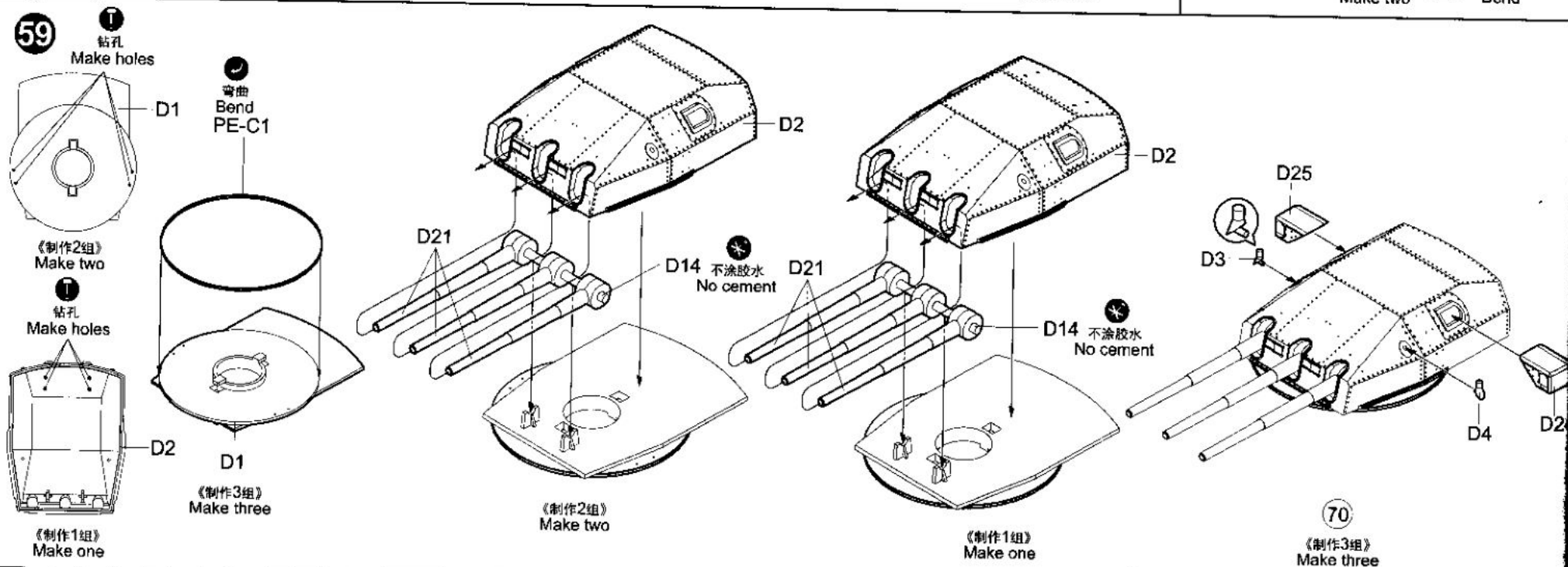


70

《制作2组》  
Make two

弯曲  
Bend

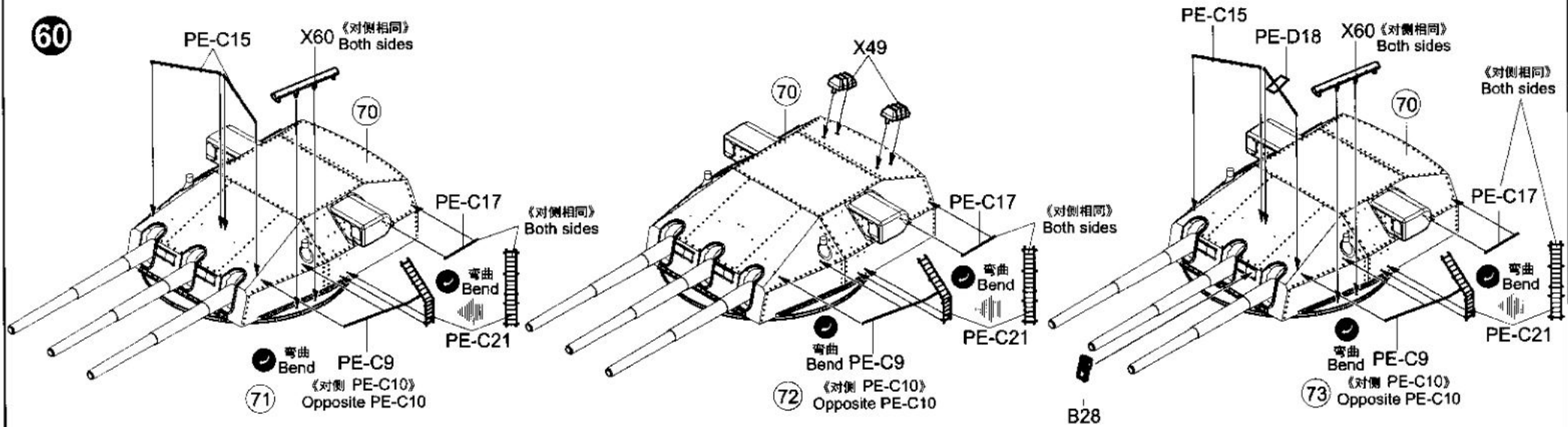
59



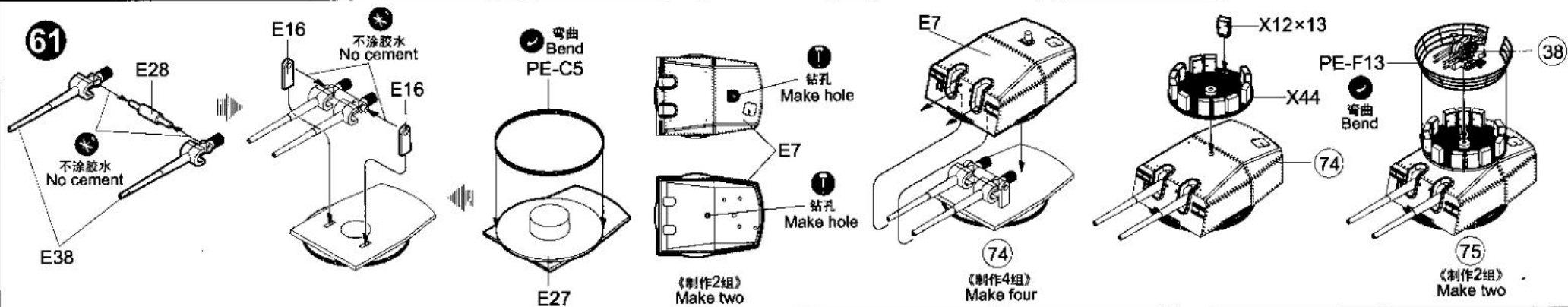
70

《制作3组》  
Make three

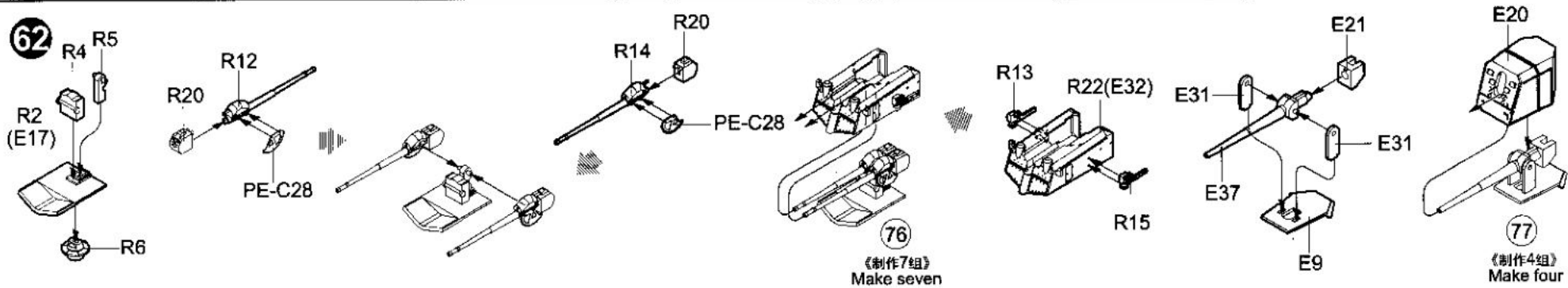
60



61

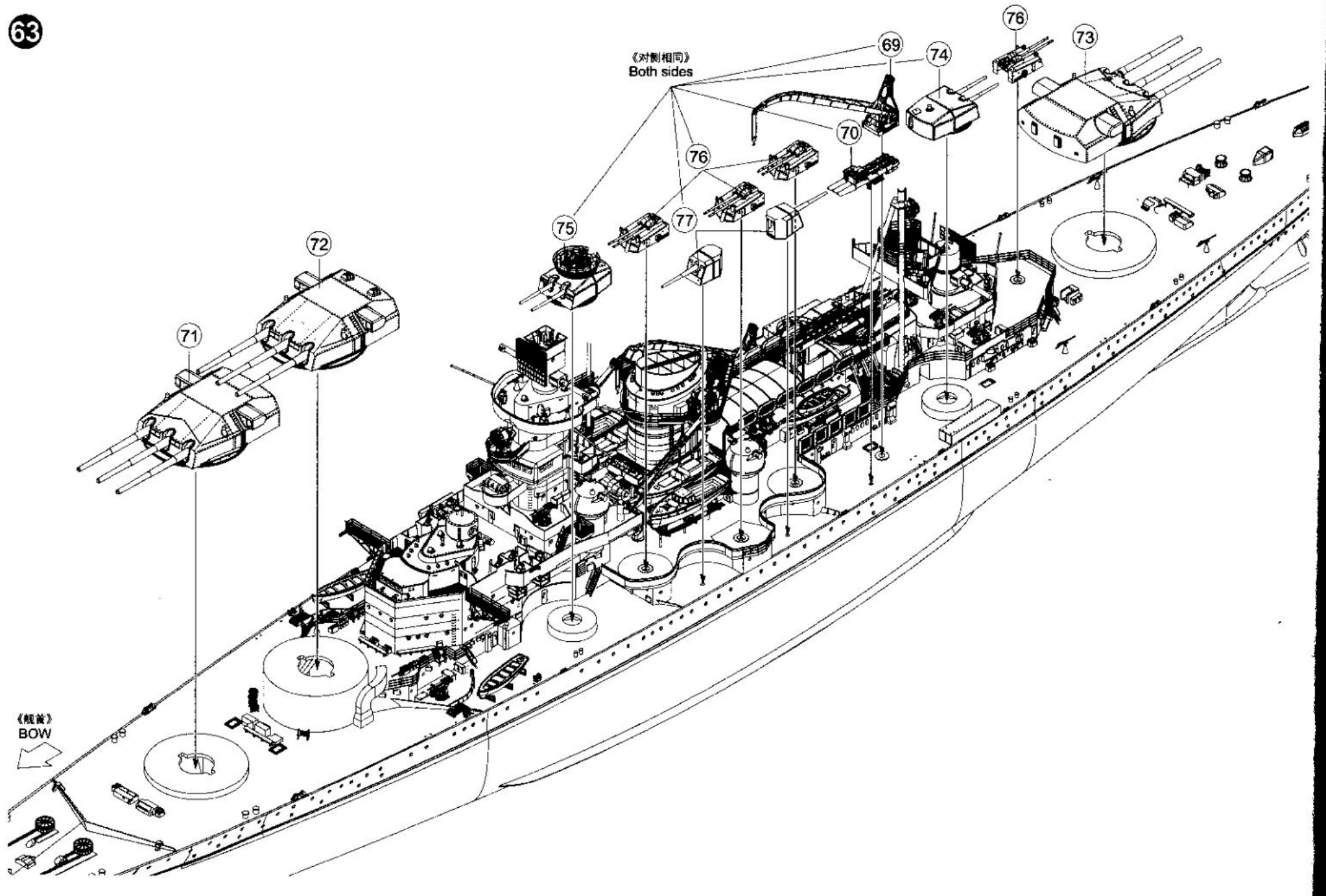


62



《对侧相同》  
Both sides

《船首》  
BOW  
→



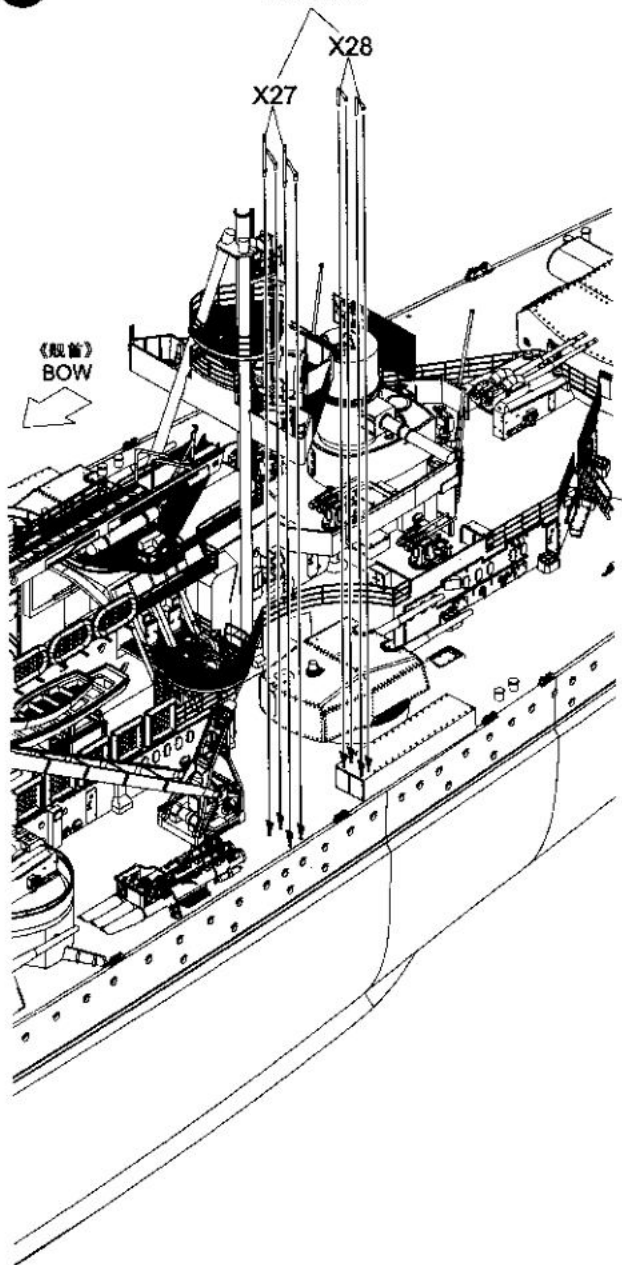


64

《对侧相同》  
Both sides

X27  
X28

《舰首》  
BOW



65

《对侧相同》  
Both sides

78

78

《制作4组》  
Make four

PE-F32

X45

PE-F33

弯曲  
Bend

X35

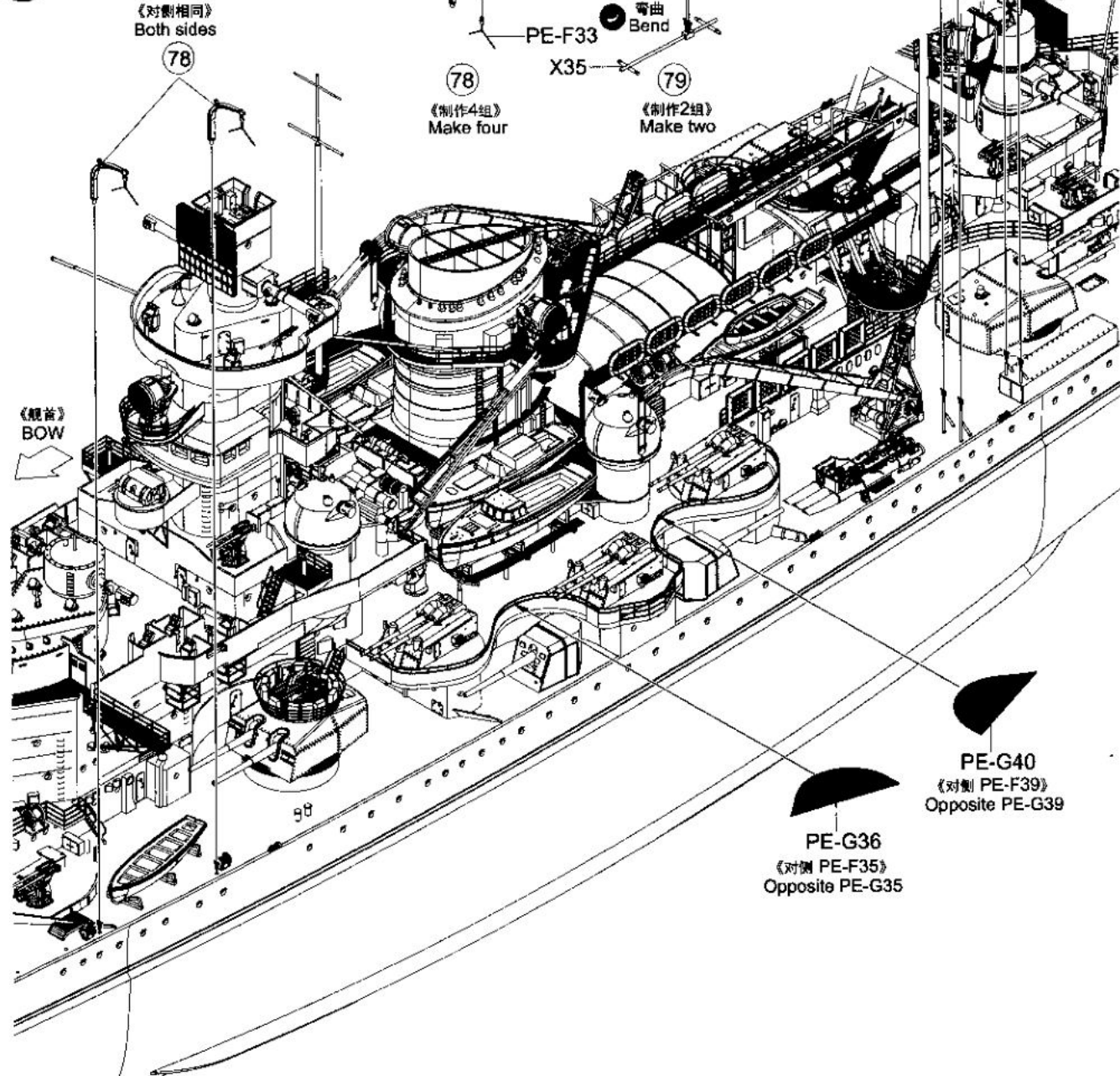
79

《制作2组》  
Make two

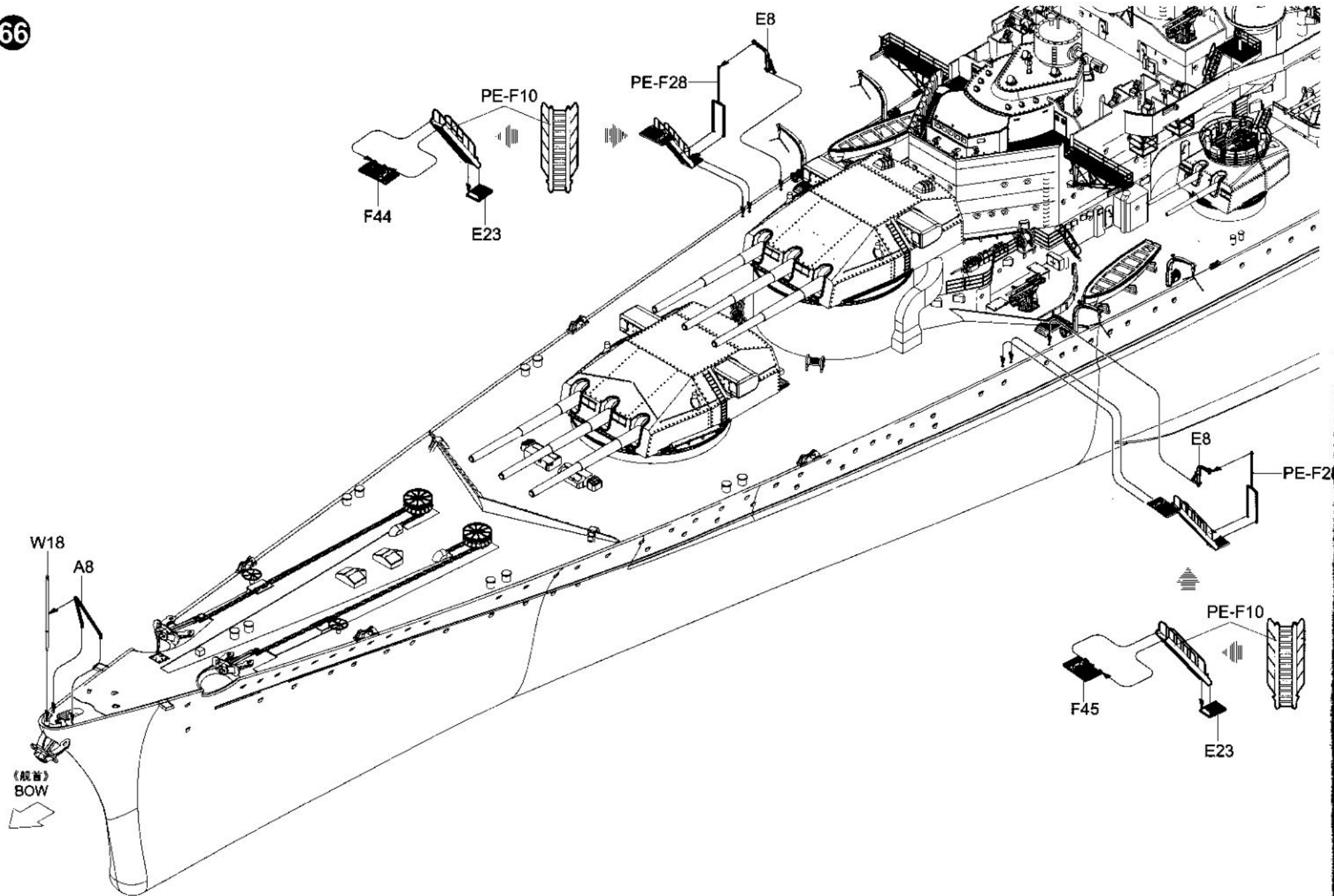
《对侧相同》  
Both sides

79

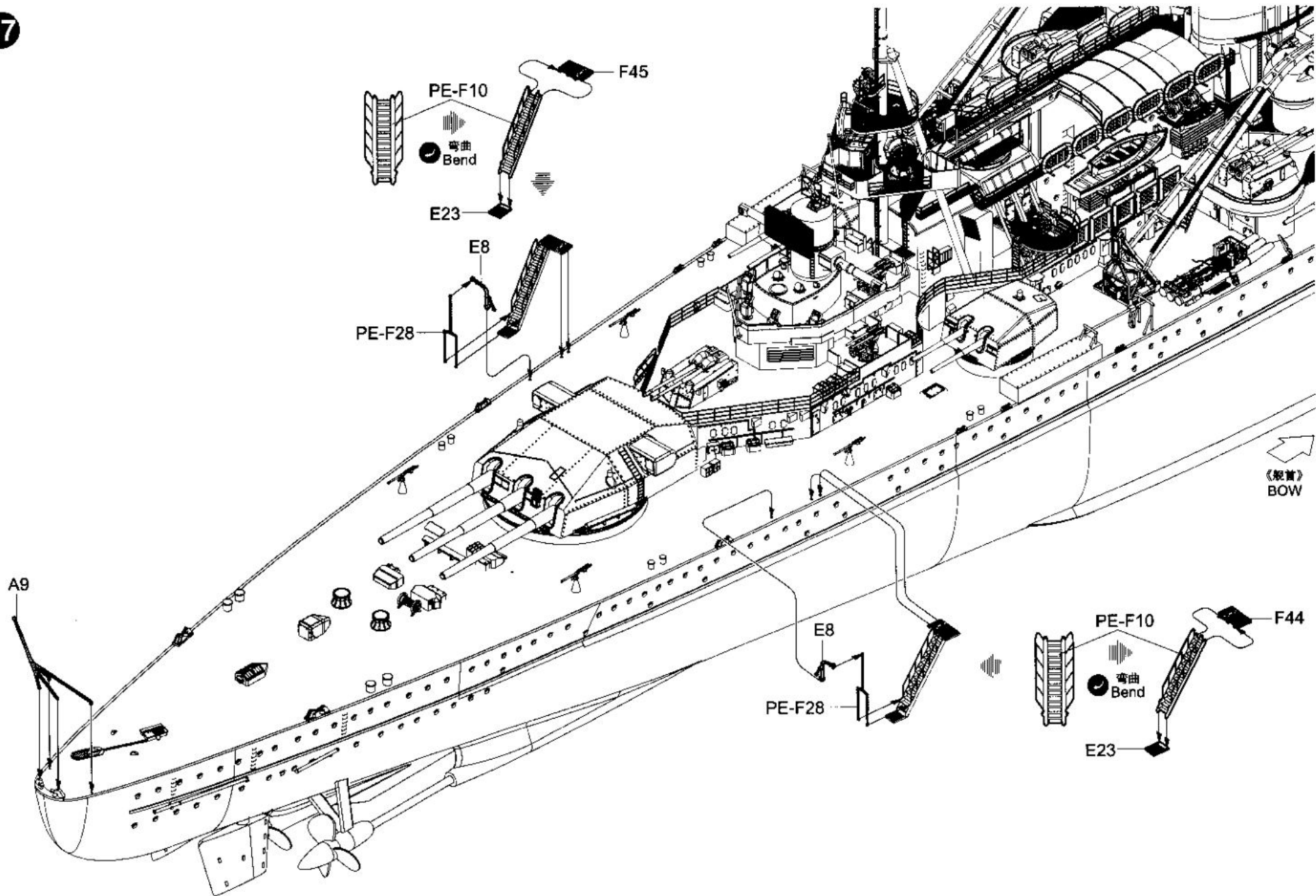
《舰首》  
BOW



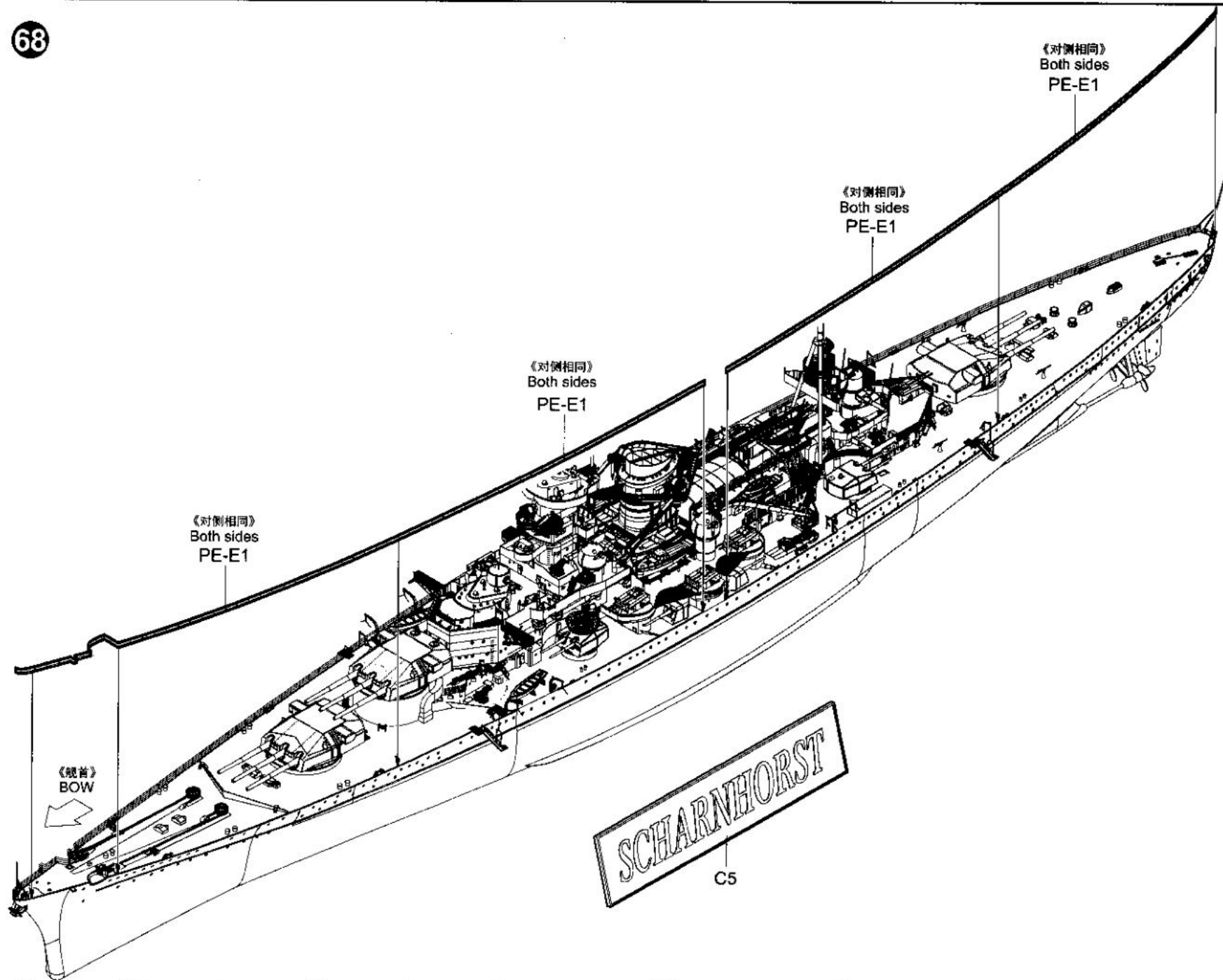
66



67



68



69

