

mpc Swamp Rat Jeep CJ-5



Jeep® and the Jeep® grille design are registered trademarks of DaimlerChrysler Corporation. Jeep® CJ-7 and its trade dress are used under license from DaimlerChrysler. ©DaimlerChrysler Corporation 2003

Jeep® et le dessin de la calandre de la Jeep® sont des marques déposées de DaimlerChrysler Corporation. Jeep® CJ-7 et sa présentation sont utilisés sous licence de DaimlerChrysler. ©DaimlerChrysler Corporation 2003

Visit our website at /

Visitez notre site web au www.RCERTL.com

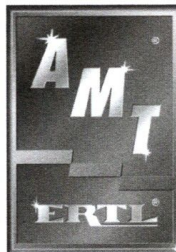
© 2003 RC2 BRANDS, Inc., Highways

136 & 20, Dyersville, Iowa 52040-0500 U.S.A.



IMPORTANT! READ THIS FIRST

- Study assembly drawings carefully before starting.
- Each part is identified by a part number (14).
- Plated parts will be identified by a star beside part number (*110).
- Scrape paint and plating from areas to be cemented.
- Before cement is used, check the fit of each part.
- Use only enough cement to join parts.
- Apply cement to small parts with a toothpick.
- Use cement made for styrene plastic only.
- Allow paint to dry thoroughly before handling.
- Your model may be painted to match the box photos.
- Cement all parts except where Do Not Cement symbol ☒ is shown.
- Follow the step numbers 5 in each assembly drawing.
- ★ Refer to other assembly drawing for location.



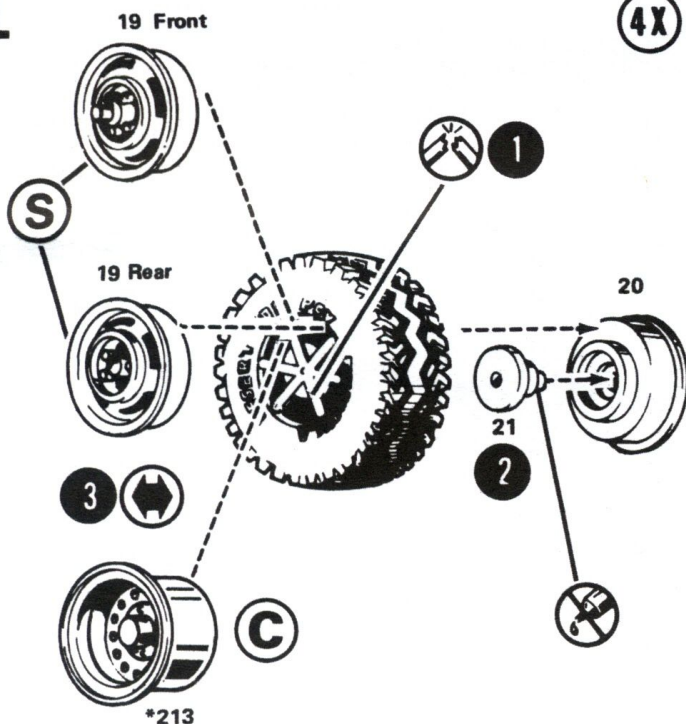
099-38088

1/25 SCALE PAINTING GUIDE

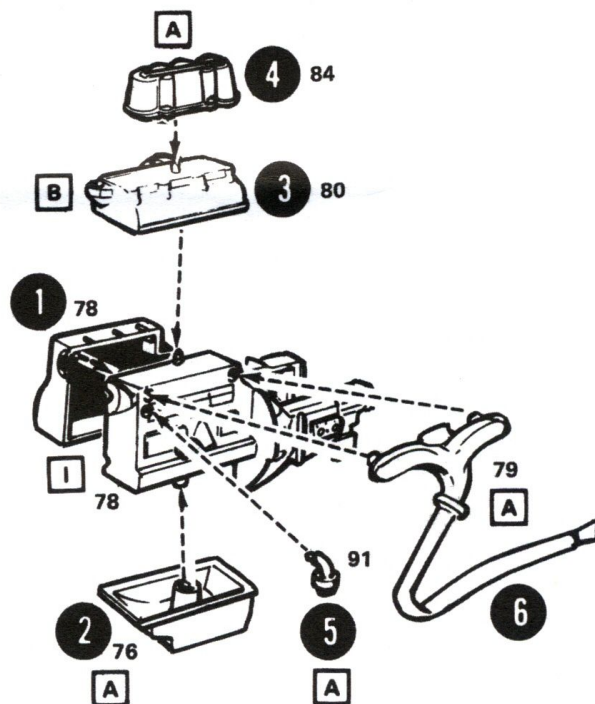
A	SILVER
B	FLAT BLACK
C	GLOSS BLACK
D	WHITE
E	GREY
F	TAN
G	RED
H	YELLOW
I	ORANGE
J	BLUE

- 5 — STEP NUMBERS
- 32 — PLASTIC PART NUMBERS
- *132 — PLATED PART NUMBERS
- ☒ — DO NOT CEMENT
- ☑ — CEMENT HERE ONLY
- 2X — REPEAT SEVERAL TIMES
- ☒ — REMOVE
- ★ — REFER TO ...
- ☒ — DECAL
- S — STOCK
- C — CUSTOM

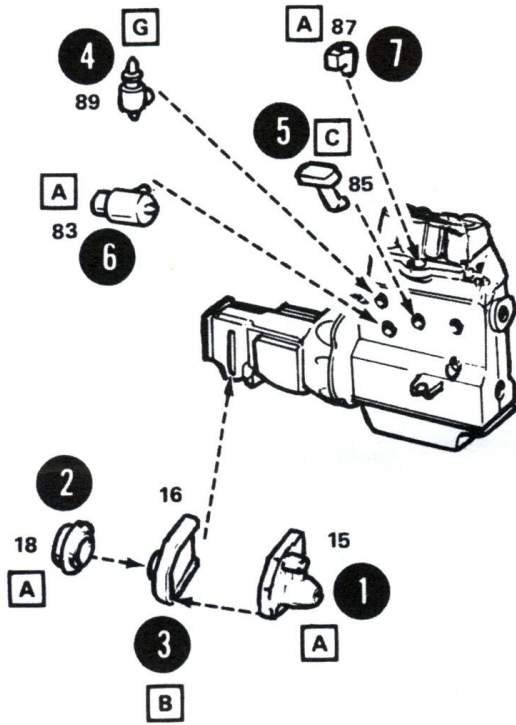
1



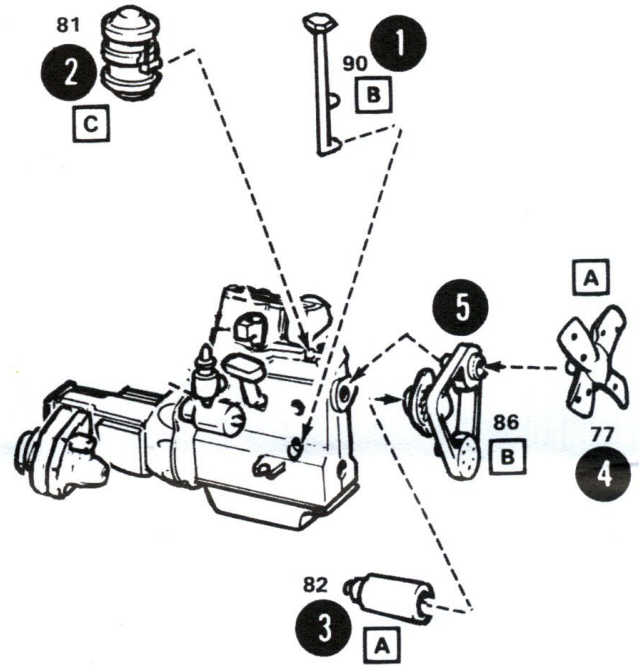
2



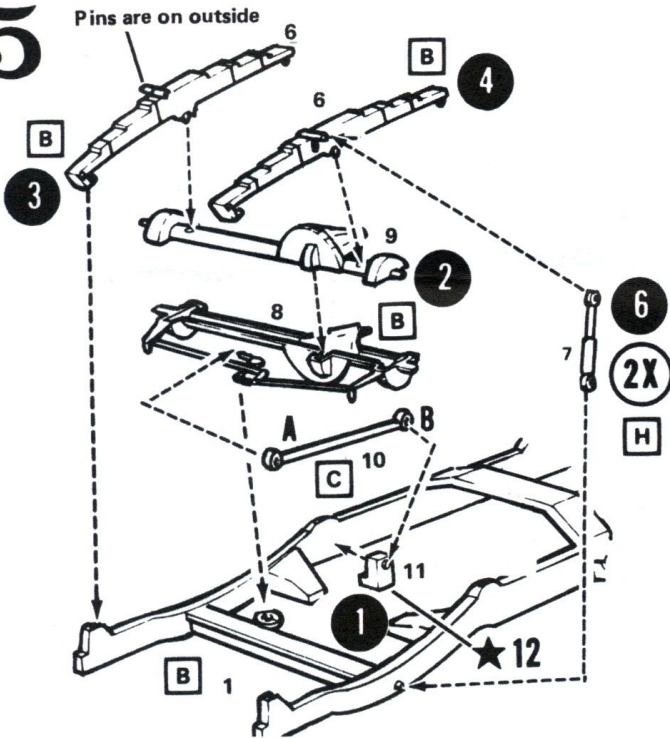
3



4

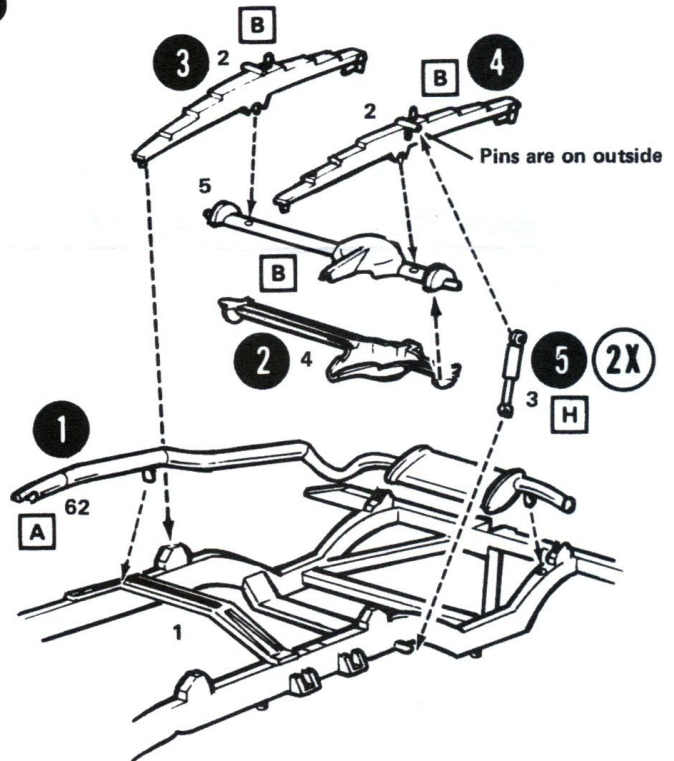


5

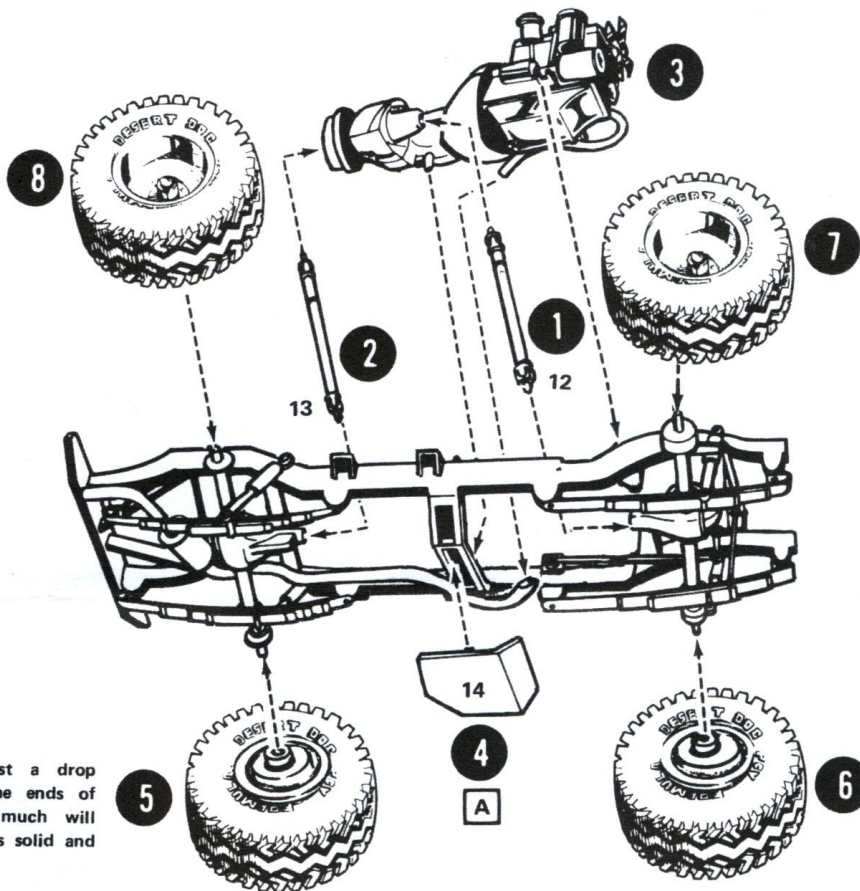


5 Locate "A" end of drag link to tie rod, then cement "B" end to steering gear box.

6

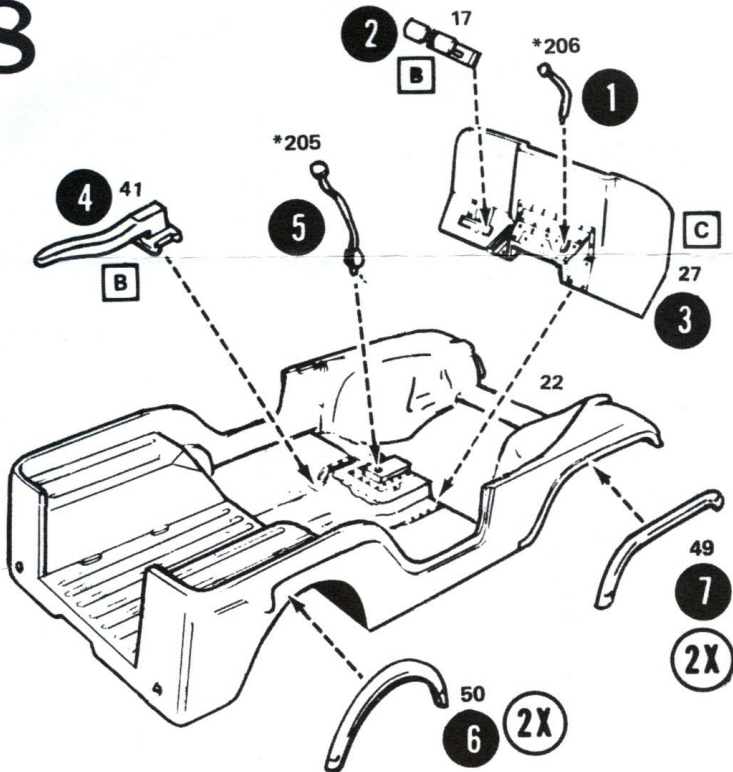


7

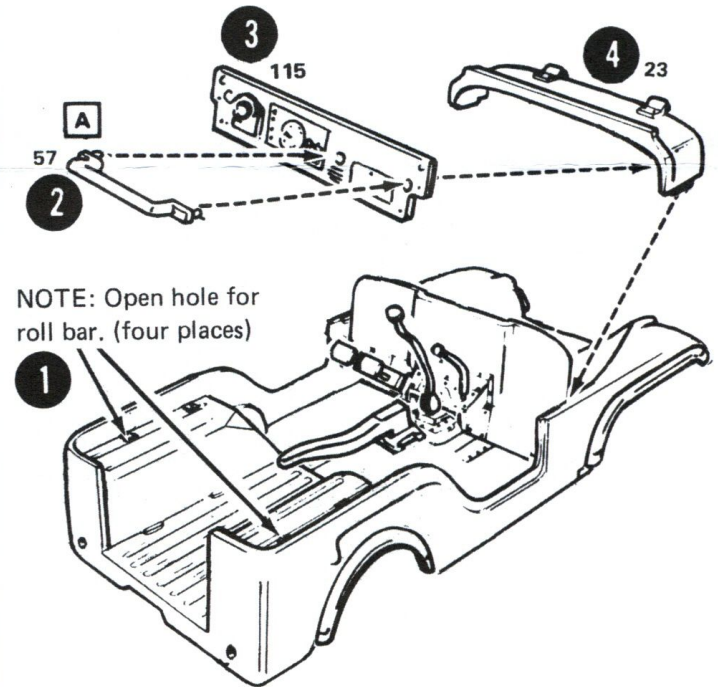


NOTE: Place just a drop of cement on the ends of the axles. Too much will cement the wheels solid and they will not roll.

8

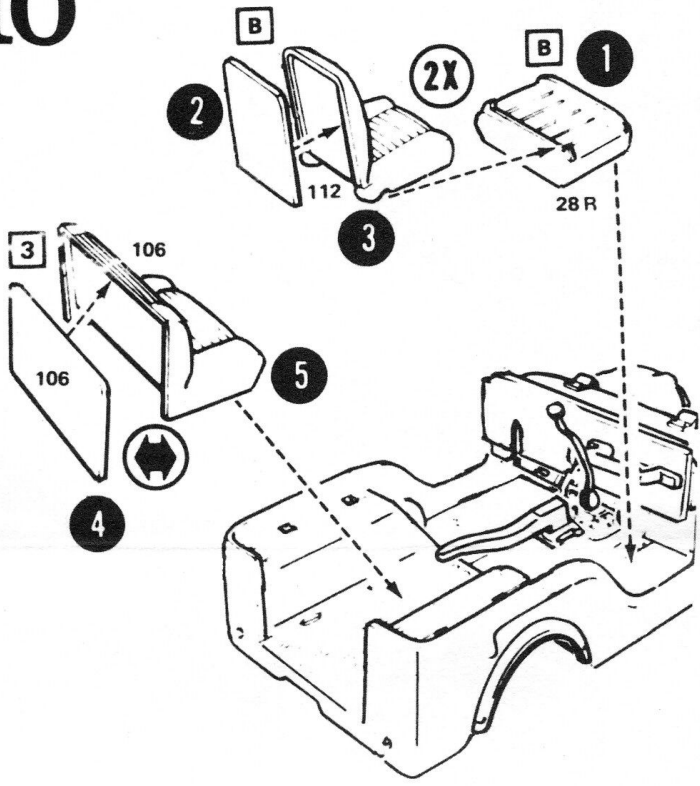


9

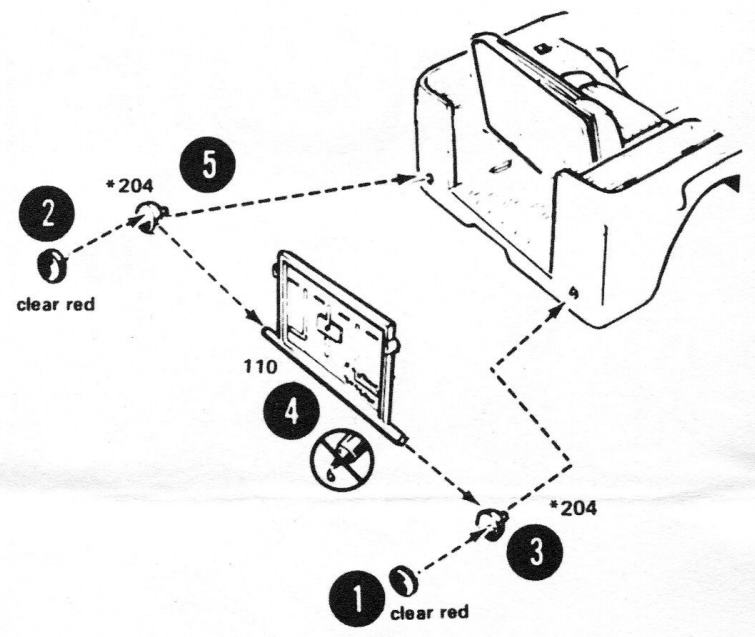


NOTE: Open hole for roll bar. (four places)

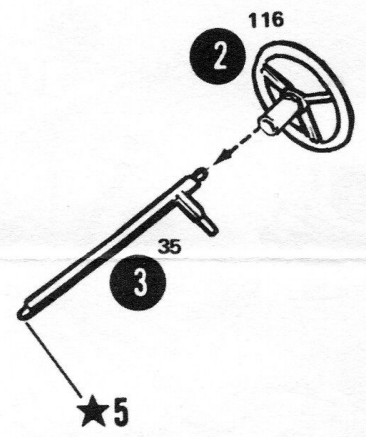
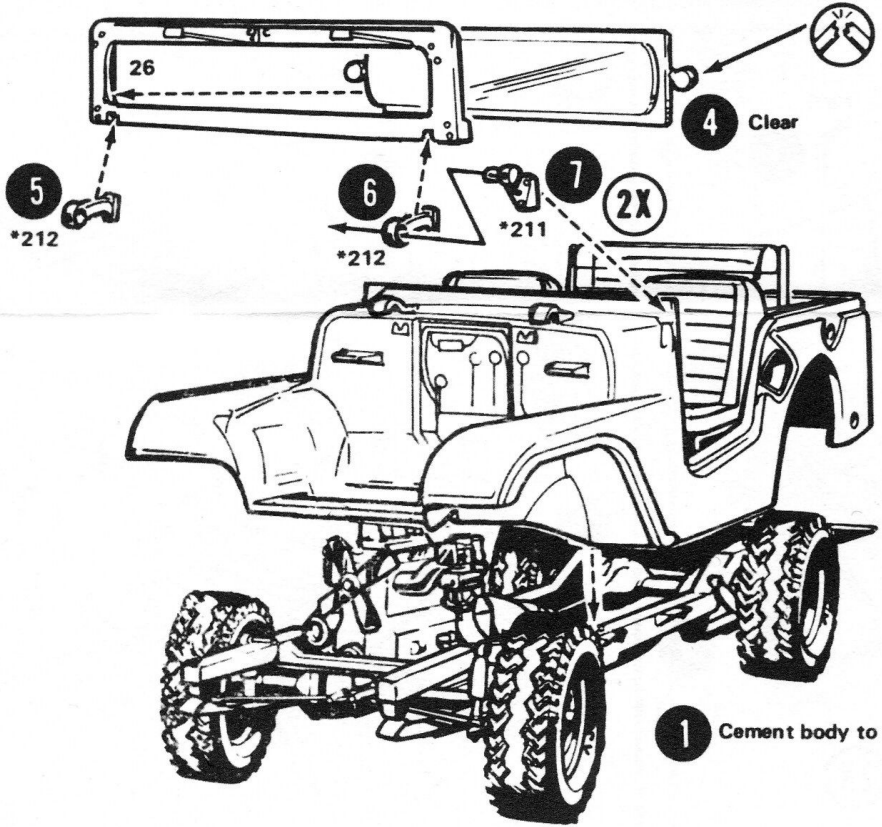
10



11



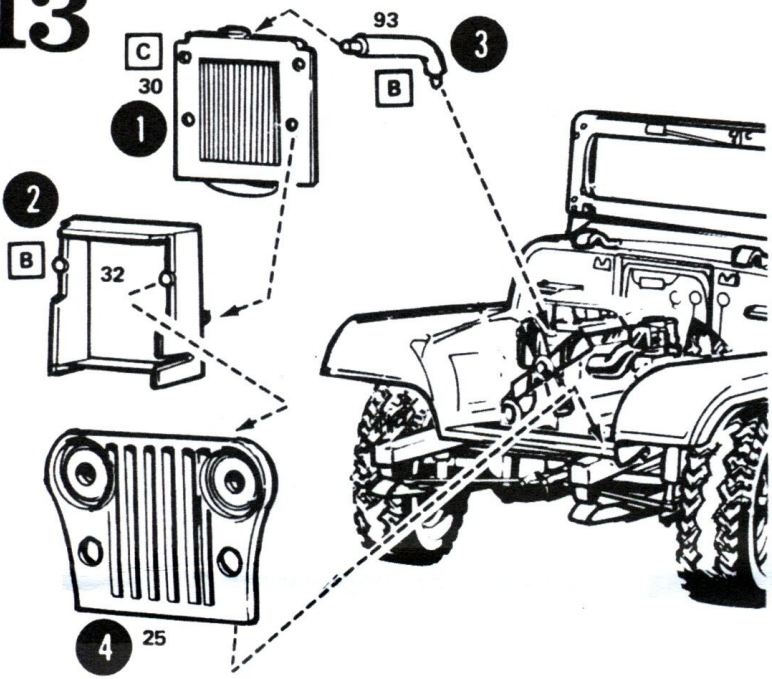
12



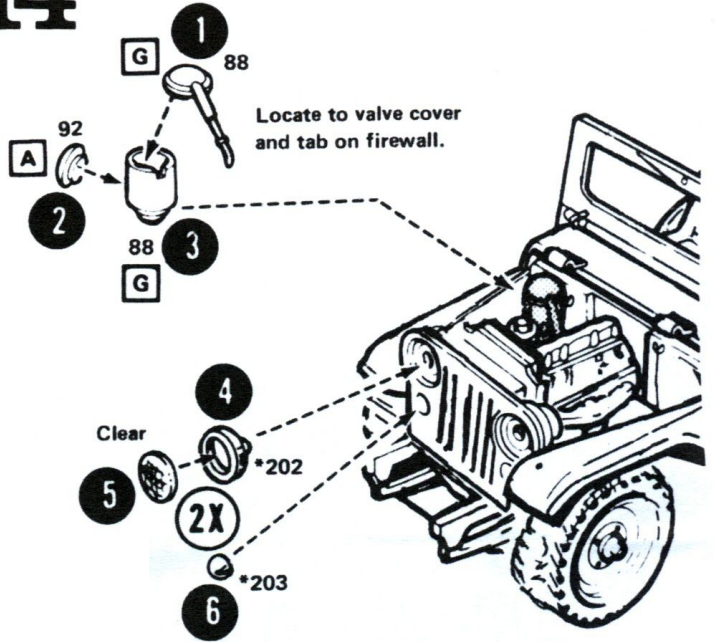
★5
Insert steering column through instrument panel and floor.

1 Cement body to frame

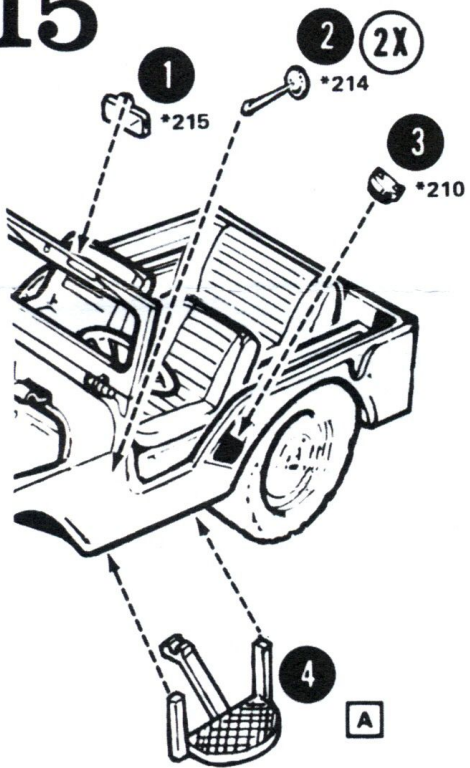
13



14

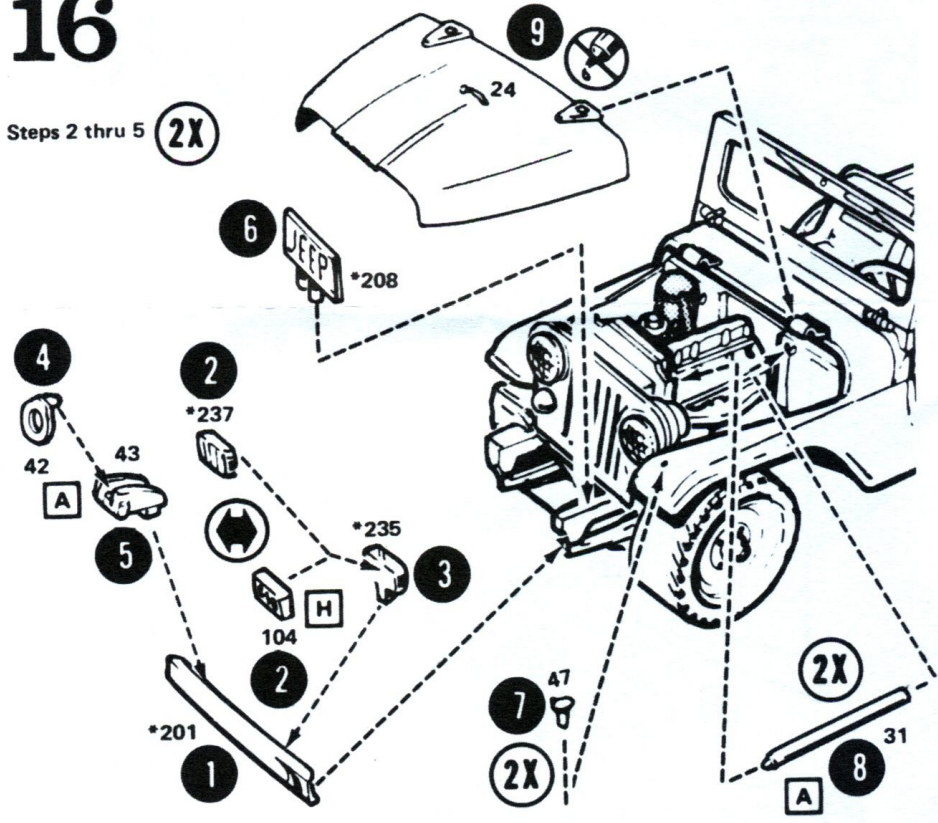


15

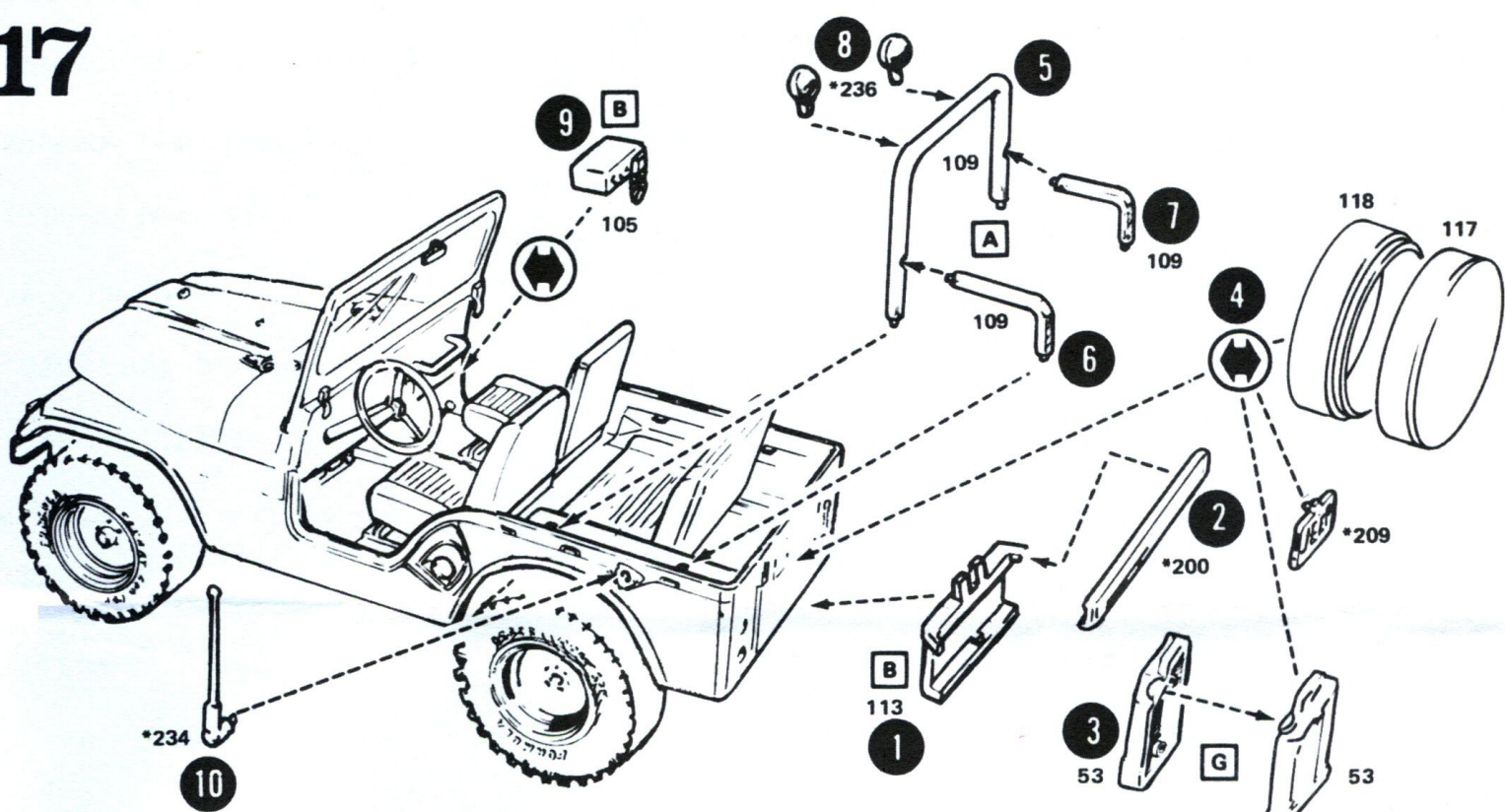


108 (107 on the other side)

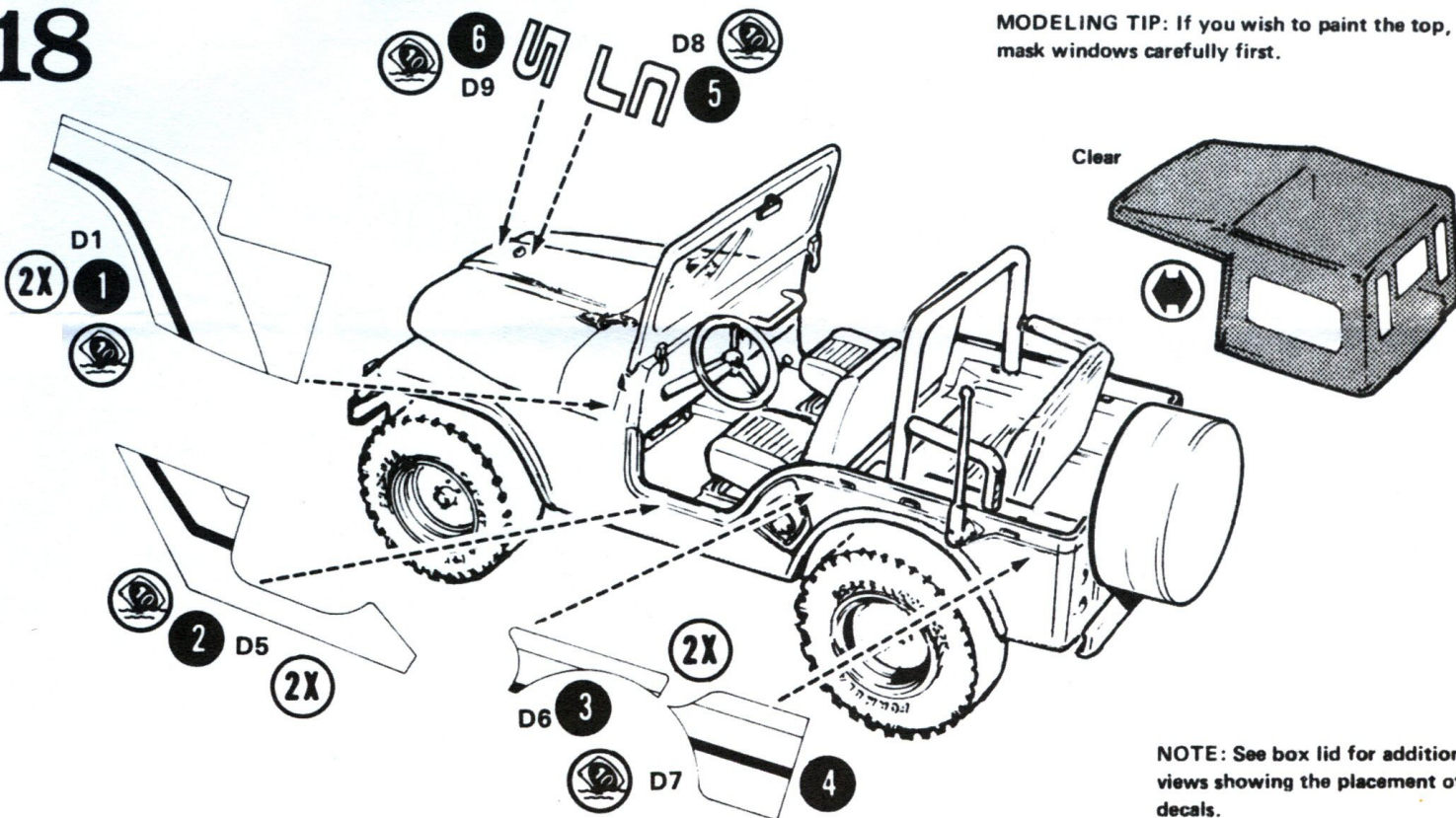
16



17



18



MODELING TIP: If you wish to paint the top, mask windows carefully first.

NOTE: See box lid for additional views showing the placement of decals.