

U.S.S. VOYAGER Photoetch Set



ParaGrafix states that our use of the trademarked terms listed below in our product descriptions constitutes fair use and nominative use and is in no way to offer confusion that ParaGrafix and any of the following noted trademark holders are related companies, nor do we state that we are endorsed by these trademark holders. We are an AFTERMARKET company acting in GOOD FAITH in providing high quality products to loyal customers who have already purchased products related to these trademarks. ParaGrafix is actually providing these trademark holders a venue of free advertising and indirectly provide these trademark holders with more sales leads. Star Trek is a trademark of Paramount Pictures Corporation. Revell is a trademark of Revell GmbH & Co. KG.

INTRODUCTION

Thank you for purchasing ParaGrafix's photoetched enhancement set for the Monogram & Revell Monogram 1:677 scale USS Voyager kit. This set will work with original release of the kit, the "Limited Edition" version, and later releases by Revell Germany.

We have made every effort to ensure that these parts can be used successfully by a modeler of modest experience, but there may be items that require advanced modeling techniques. For a basic primer and videos on using photoetch, please visit our website (www.ParaGrafix.biz). The order in which you add the photoetch will depend on how you are building the kit. These instructions are presented in the order that is used in the "Limited Edition" release's instructions.

Materials

In addition to the photoetch, you will also need scissors or a knife* to remove individual pieces from the main fret, a file to remove material left from cutting, and super glue (aka CA or cyanoacrylate). Additionally, to fold some pieces, you will need a pair of razor blades** or a specialty tool such as an Etchmate 3C from Mission Models.

* We prefer a #17 Xacto chisel blade.

** Extreme care must be taken when using razor blades. Risk of serious injury.

Primary Hull Assembly Bridge Deck "Roof"

Remove the raised detail from the top of kit part 1, and replace with the appropriate photoetched pieces as shown at right.

Ready & Conference Room Windows

Cut out the plastic of the windows themselves, leaving a thin lip around the raised window frames. Attach etch parts 33.

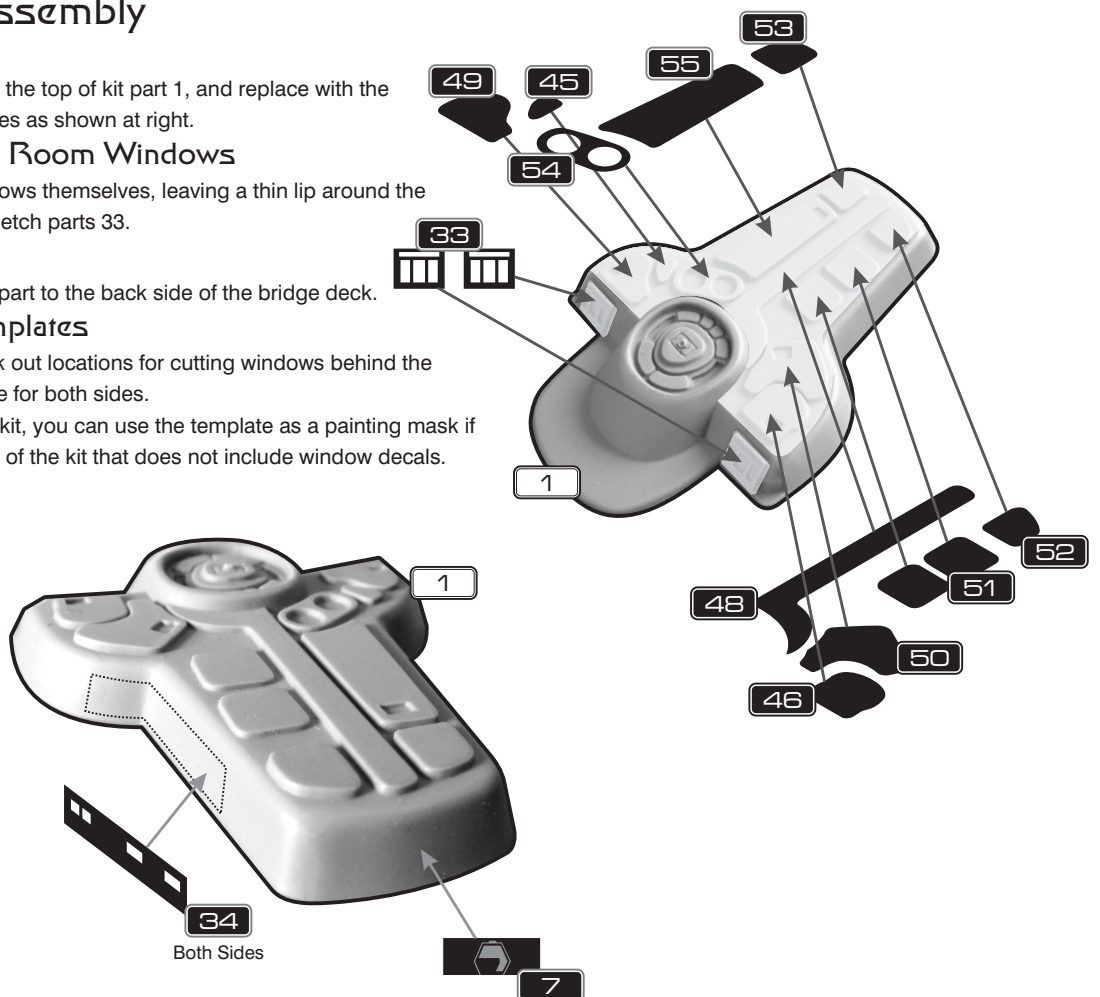
Upper EVA Hatch

Attach the hatch (etch part 7) part to the back side of the bridge deck.

Window Cutting Templates

Use photoetch part 34 to mark out locations for cutting windows behind the bridge. Use the same template for both sides.

If you will not be lighting your kit, you can use the template as a painting mask if you do have the original issue of the kit that does not include window decals.



Key

Kit part (plastic): 1

Photoetched part: 1

Primary Hull Assembly (Continued)

Window Inserts

Replace the clear kit pieces with the photoetched window inserts as shown. Install these pieces behind. For glazing, either back up the photoetch with clear sheet plastic or use a glazing material such as Micro Kristal Klear. (Using Micro Kristal Klear eliminates the need to mask the windows as it can be applied after painting is complete.)

Life Boats

Attach the missing life boats (etch parts 37) so that their bottom edges are aligned with the third raised ridge. (See inset photo.)

Deflector Panels

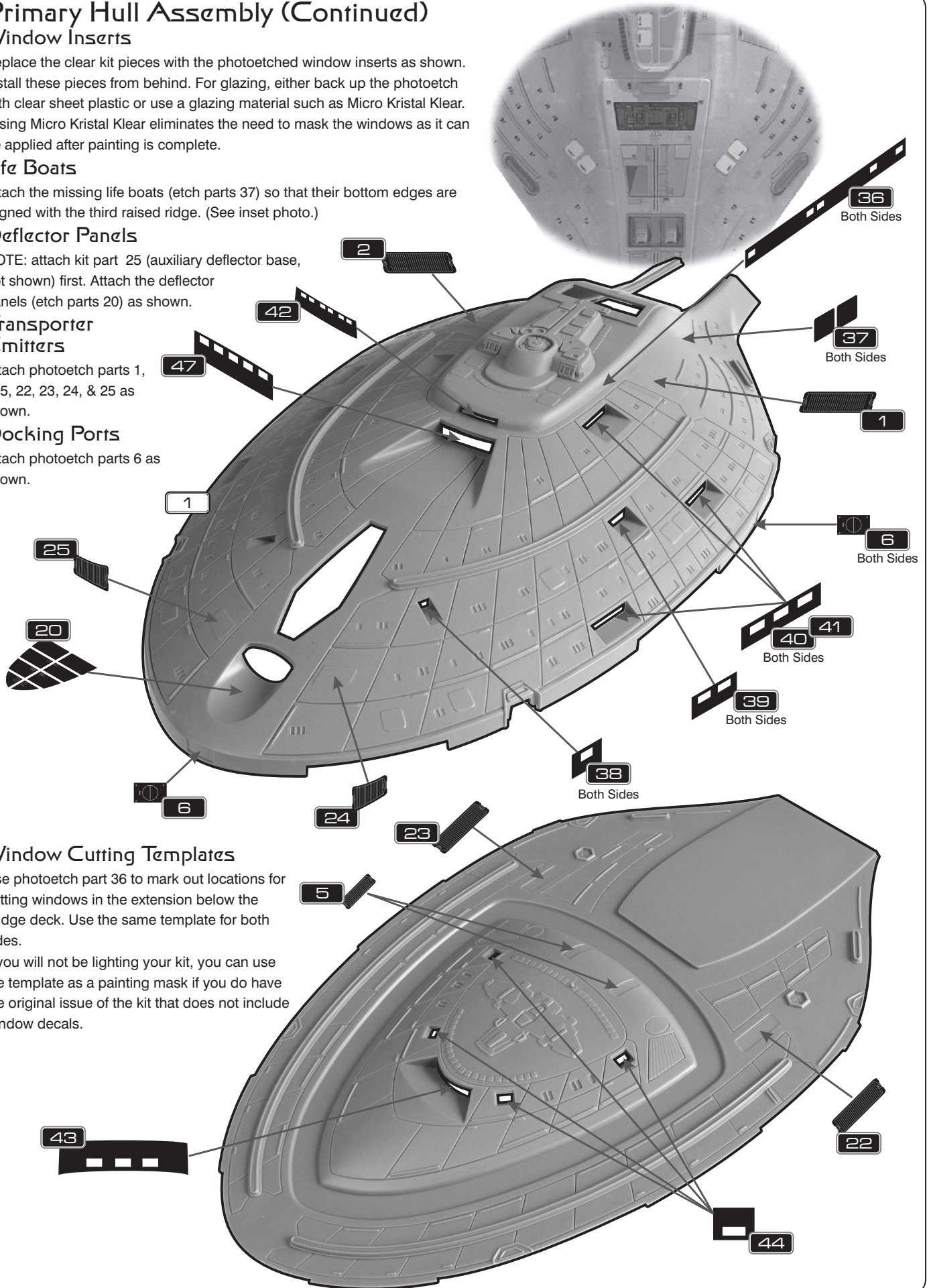
NOTE: attach kit part 25 (auxiliary deflector base, not shown) first. Attach the deflector panels (etch parts 20) as shown.

Transporter Emitters

Attach photoetch parts 1, 2, 5, 22, 23, 24, & 25 as shown.

Docking Ports

Attach photoetch parts 6 as shown.



Window Cutting Templates

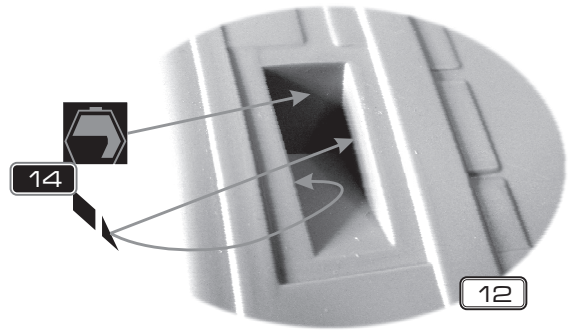
Use photoetch part 36 to mark out locations for cutting windows in the extension below the bridge deck. Use the same template for both sides.

If you will not be lighting your kit, you can use the template as a painting mask if you do have the original issue of the kit that does not include window decals.

Primary Hull Assembly (Continued)

Lower EVA Hatch

Attach the hatch parts (14) as shown.



Engineering Hull Assembly

Window Inserts

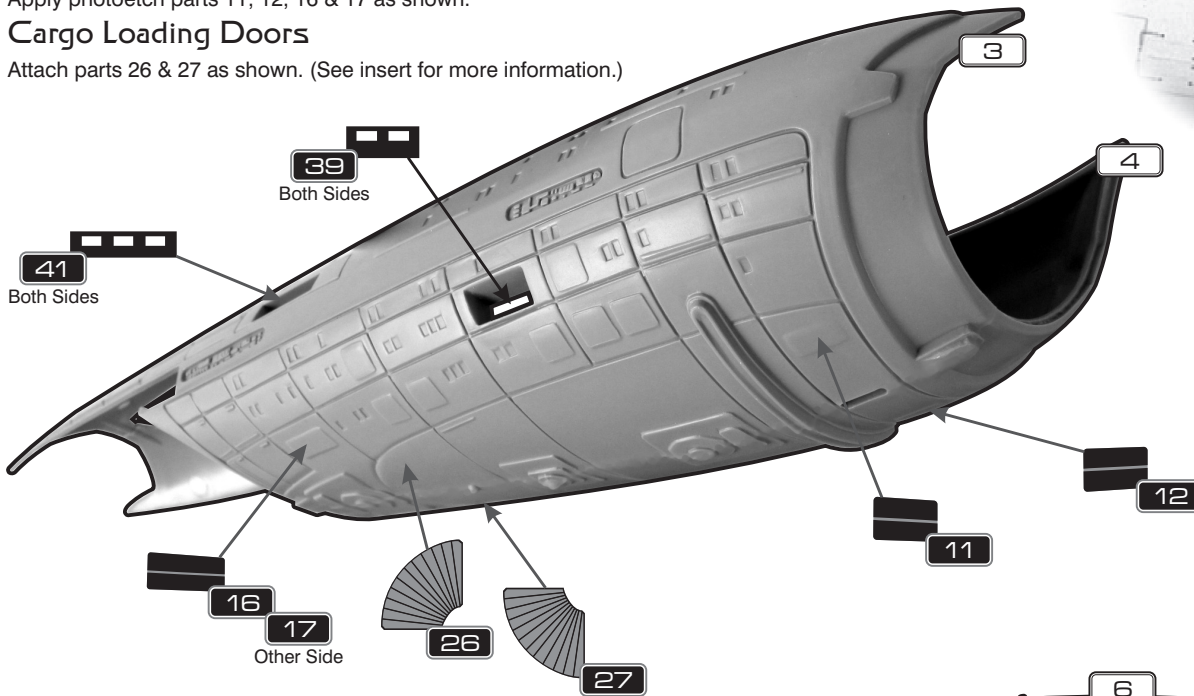
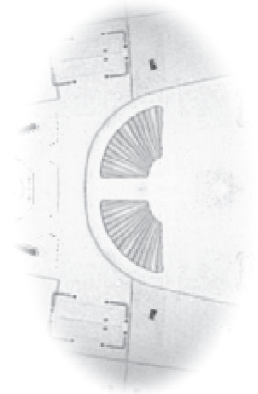
Replace the clear kit pieces with the photoetched window inserts as shown. Install these pieces from behind. For glazing, either back up the photoetch with clear sheet plastic or use a glazing material such as Micro Kristal Klear. (Using Micro Kristal Klear eliminates the need to mask the windows as it can be applied after painting is complete.)

Landing Gear Doors

Apply photoetch parts 11, 12, 16 & 17 as shown.

Cargo Loading Doors

Attach parts 26 & 27 as shown. (See insert for more information.)

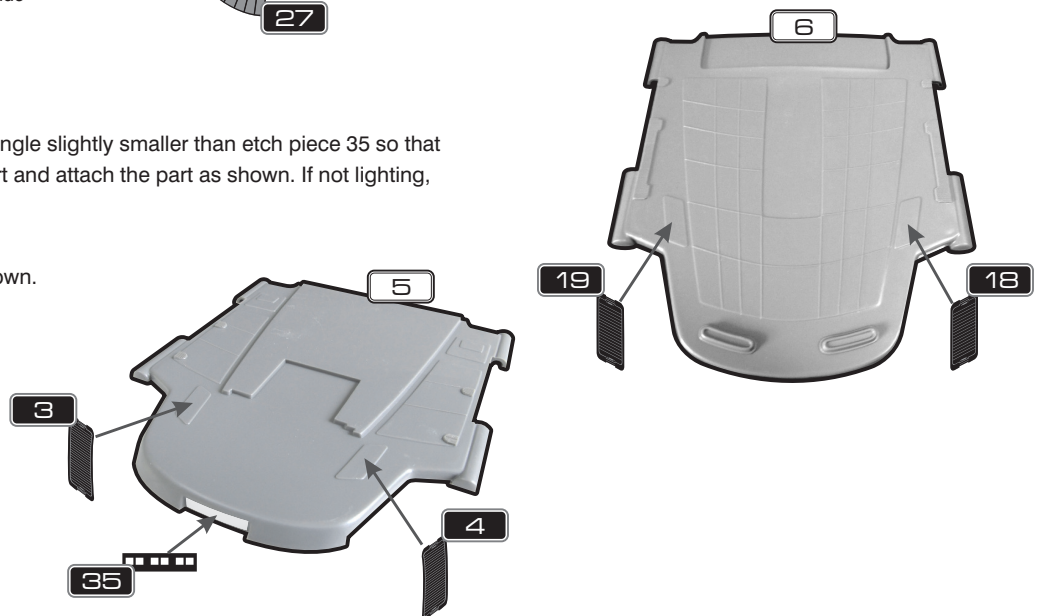


Aft Windows

If lighting your kit, cut out a rectangle slightly smaller than etch piece 35 so that there is a lip for attaching the part and attach the part as shown. If not lighting, just apply the part to the kit.

Transporter Emitters

Attach parts 3, 4, 18, & 19 as shown.

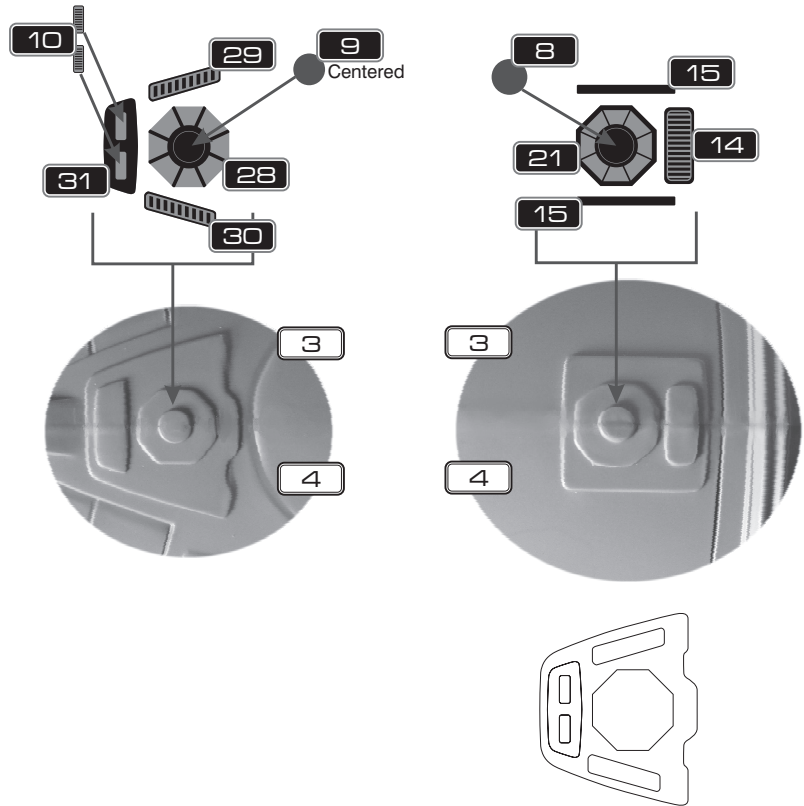


Engineering Hull Assembly (Continued)

Warp Core Hatches

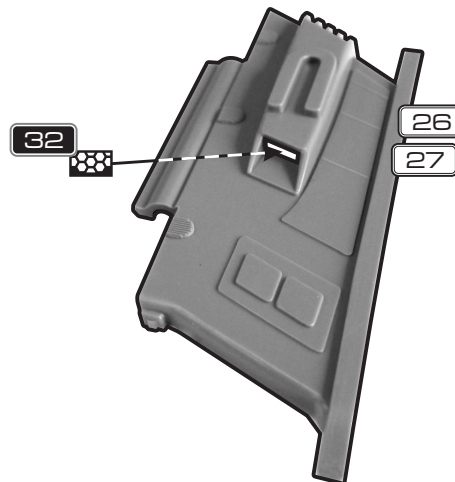
After assembling kit parts 3 and 4, remove the raised hexagonal and rectangular details* from the warp core hatch areas and replace with the photoetch pieces as shown. Note that parts 10 are mounted to part 31, and circular hatches 8 and 9 are mounted to parts 21 and 28 respectively.

* NOTE: for a cleaner surface, you might want to replace the "plates" that these parts are mounted to with 0.02" plastic sheet. The forward area is rectangular and easy to measure and cut. We have provided a template for making a replacement for the aft plate - feel free to photocopy it so you don't need to cut up these instructions.



Impulse Engine Intakes

Remove the front face of the impulse engine intakes on kit parts 26 & 27. On the bottom, remove material up to the point of the original front face of the material removed. Insert etch parts 32 from behind.



148 Rocklawn Ave.
Attleboro MA 02703 USA
+1 508-431-9800
www.ParaGrafix.biz

Special thanks to Thomas "Tchail" Hendrickson
for his fantastic photoetch design.

Original items copyright © 2011 Paul H. Bodensiek dba ParaGrafix Modeling Systems. All Rights Reserved. ParaGrafix, ParaGrafix Modeling Systems, and PGMS are trademarks of Paul H. Bodensiek.