

eduard

Limitovaná edice

Kučkadlo

1/72



Stavební návod
Instruction sheet

Z130 nav1

ATTENTION * UPOZORNĚNÍ * ACHTUNG * ATTENTION * 注意



Carefully read instruction sheet before assembling. When you use glue or paint, do not use near open flame and use in well ventilated room. Keep out of reach of small children. Children must not be allowed to suck any part, or pull vinyl bag over the head.



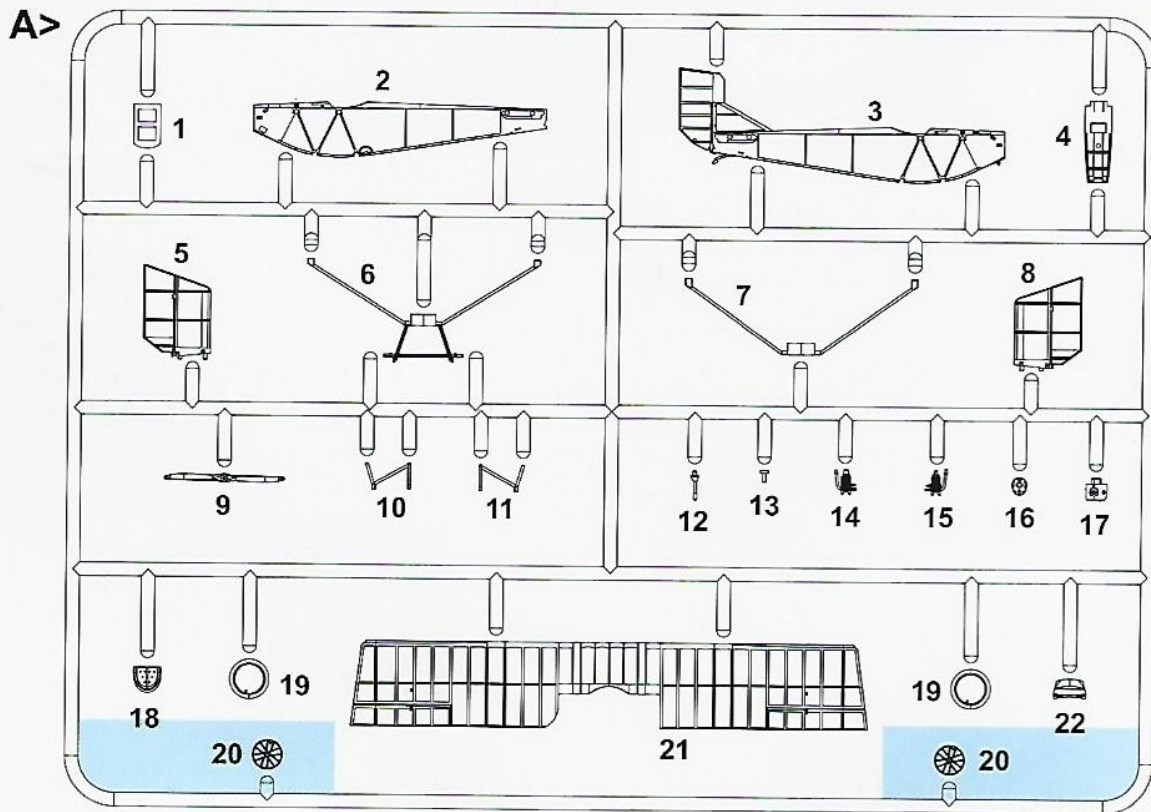
Před započítím stavby si pečlivě prostudujte stavební návod. Při používání barev a lepidel pracujte v dobře větrané místnosti. Lepidla ani barvy nepoužívejte v blízkosti otevřeného ohně. Model není určen malým dětem, mohlo by dojít k požití drobných dílů.

INSTRUCTION SIGNS * INSTR. SYMBOLS * INSTRUKTION SINNBILDEN * SYMBOLES * 記号の説明

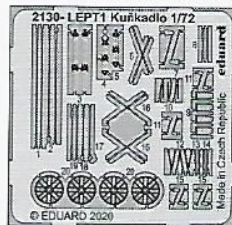
- 
 OPTIONAL
VOLBA
- 
 BEND
OHNOU
- 
 SAND
BROUSIT
- 
 OPEN HOLE
VYVRTAT OTVOR
- 
 SYMETRICAL ASSEMBLY
SYMETRICKÁ MONTÁŽ
- 
 REMOVE
ODRÍZNOUT
- 
 REVERSE SIDE
OTOČIT
- 
 APPLY EDUARD MASK
AND PAINT
POUŽIT EDUARD MASK
NABARVIT

PARTS * DÍLY * TEILE * PIÈCES * 部品

PLASTIC PARTS



PE - PHOTO ETCHED
DETAIL PARTS



FILM



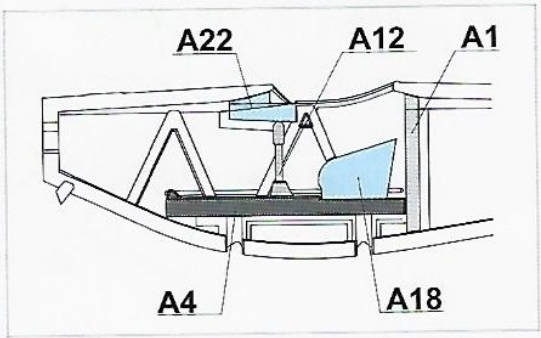
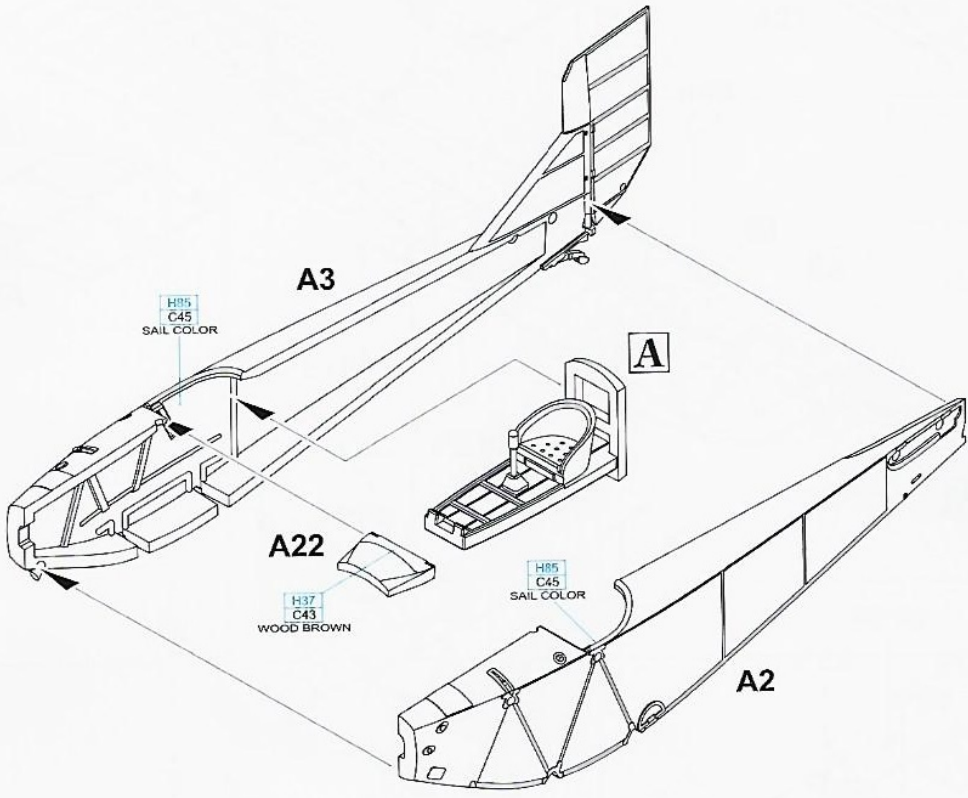
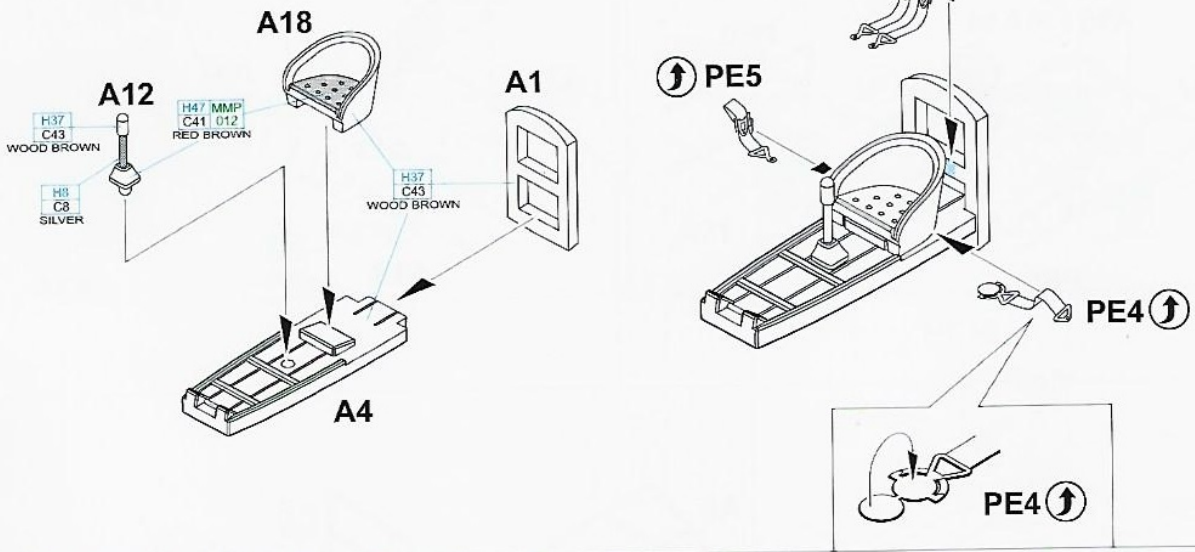
Parts not for use. - Teile werden nicht verwendet. - Pièces à ne pas utiliser. - Tyto díly nepoužívejte při stavbě. - 使用しない部品

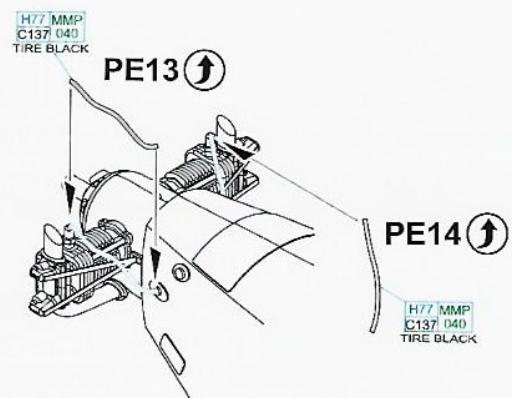
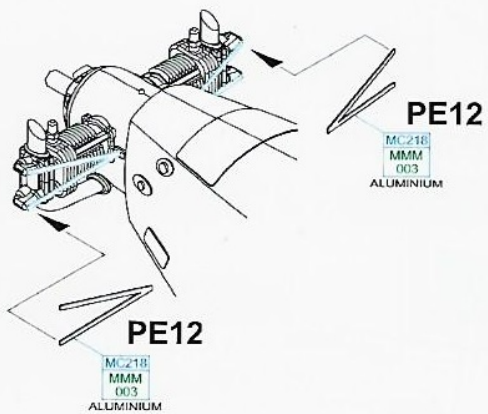
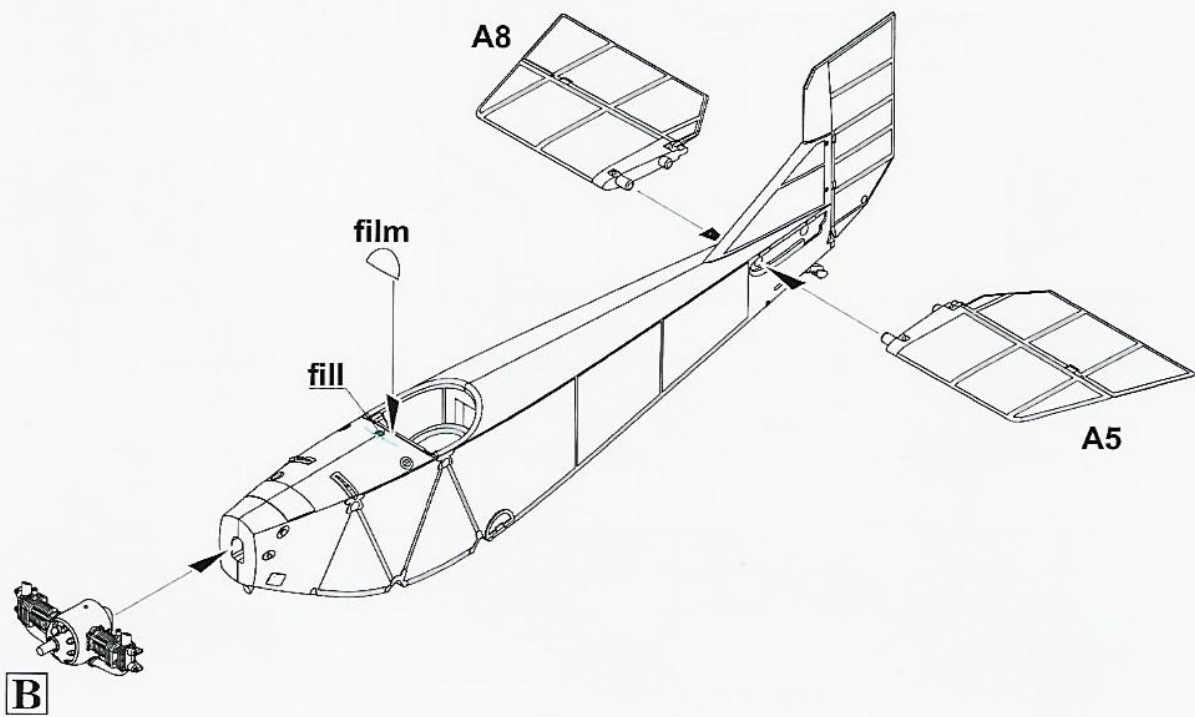
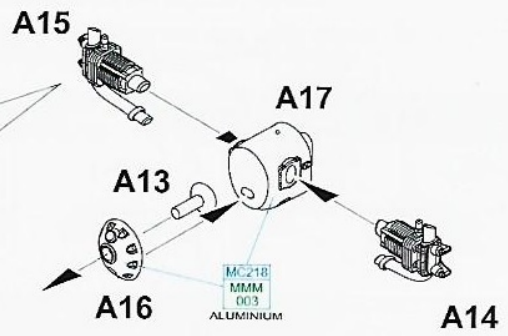
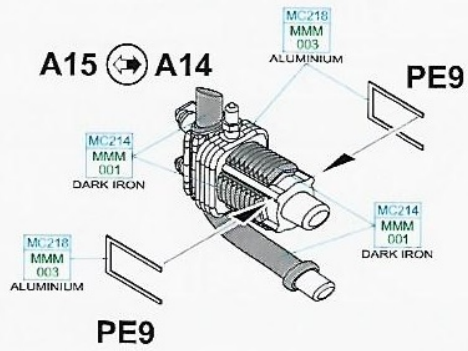
COLOURS * BARVY * FARBEN * PEINTURE * 色

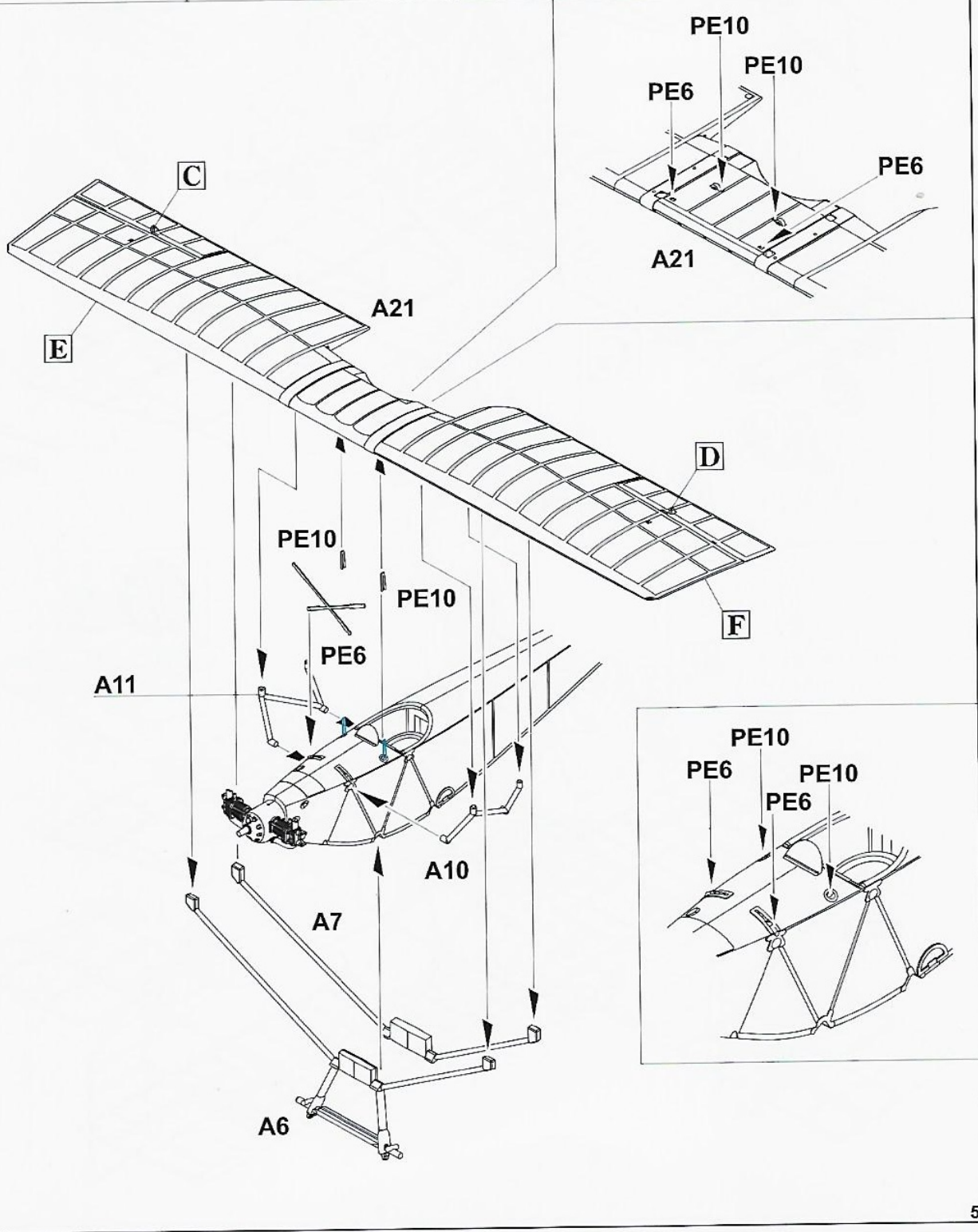
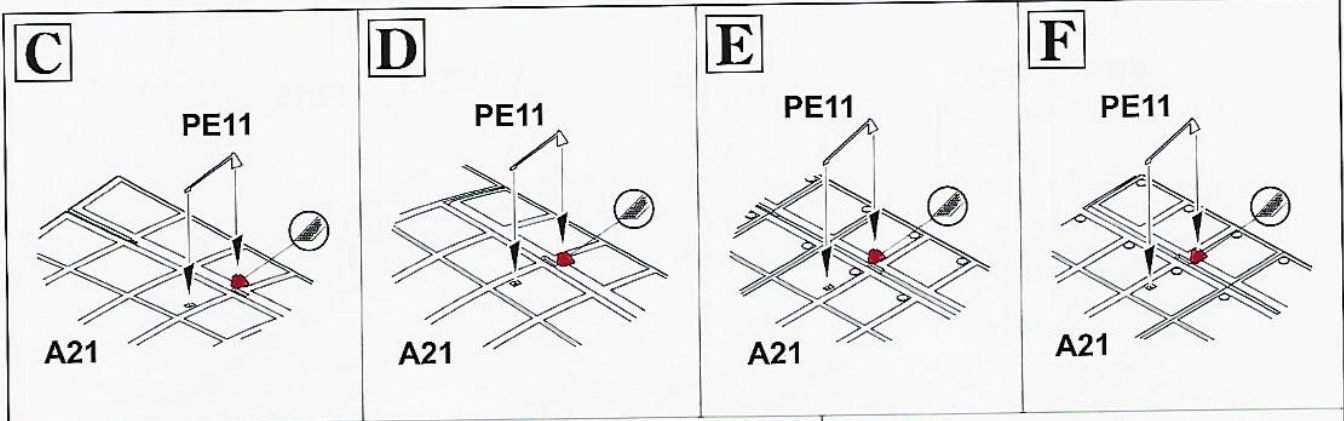
GSI Creos (GUNZE)		MISSION MODELS	
AQUEOUS	Mr.COLOR	PAINTS	
H8	CB		SILVER
H37	C43		WOOD BROWN
H47	C41	MMP-012	RED BROWN
H77	C137	MMP-040	TIRE BLACK
H85	C45		SAIL COLOR

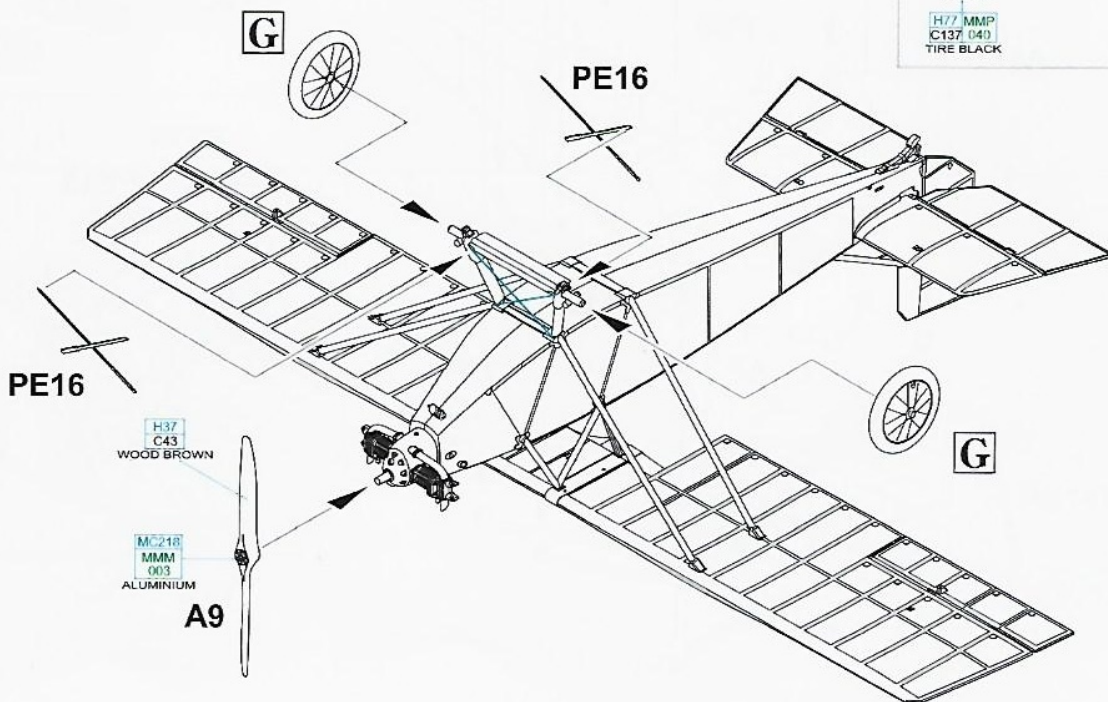
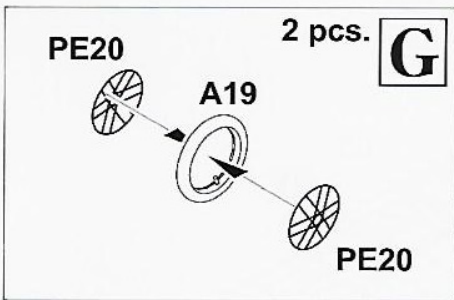
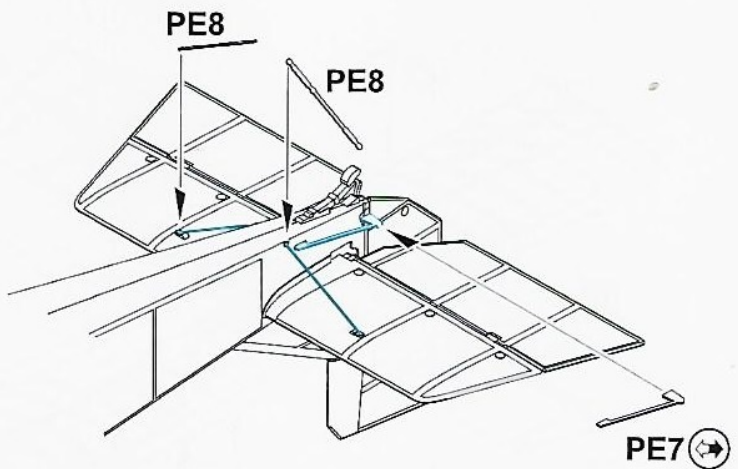
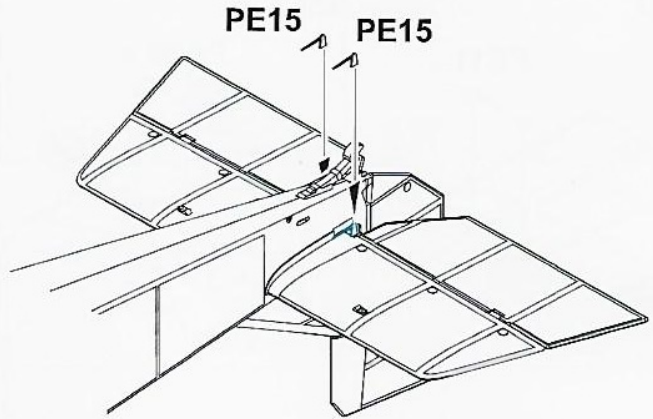
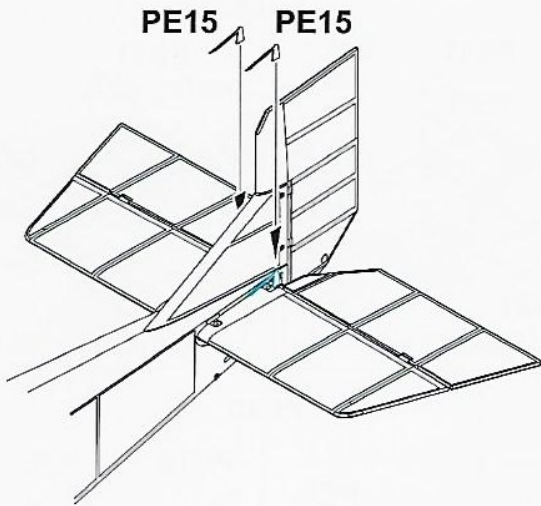
Mr.METAL-COLOR		METALLICS	
MC214		MMM-001	DARK IRON
MC218		MMM-003	ALUMINIUM
Mr.COLOR GX		METALLICS	
GX03			HERMANN RED
GX04			CHIARA YELLOW

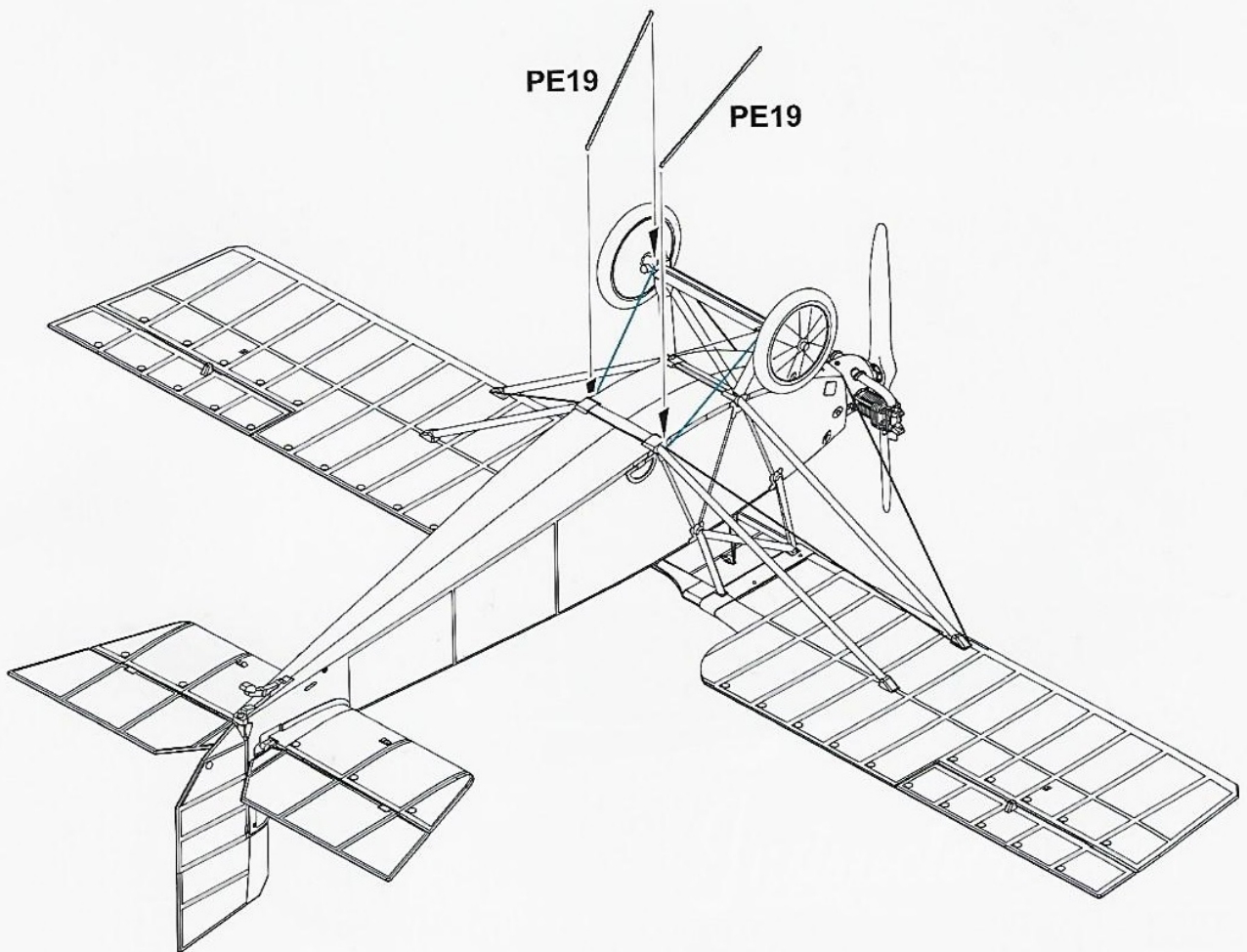
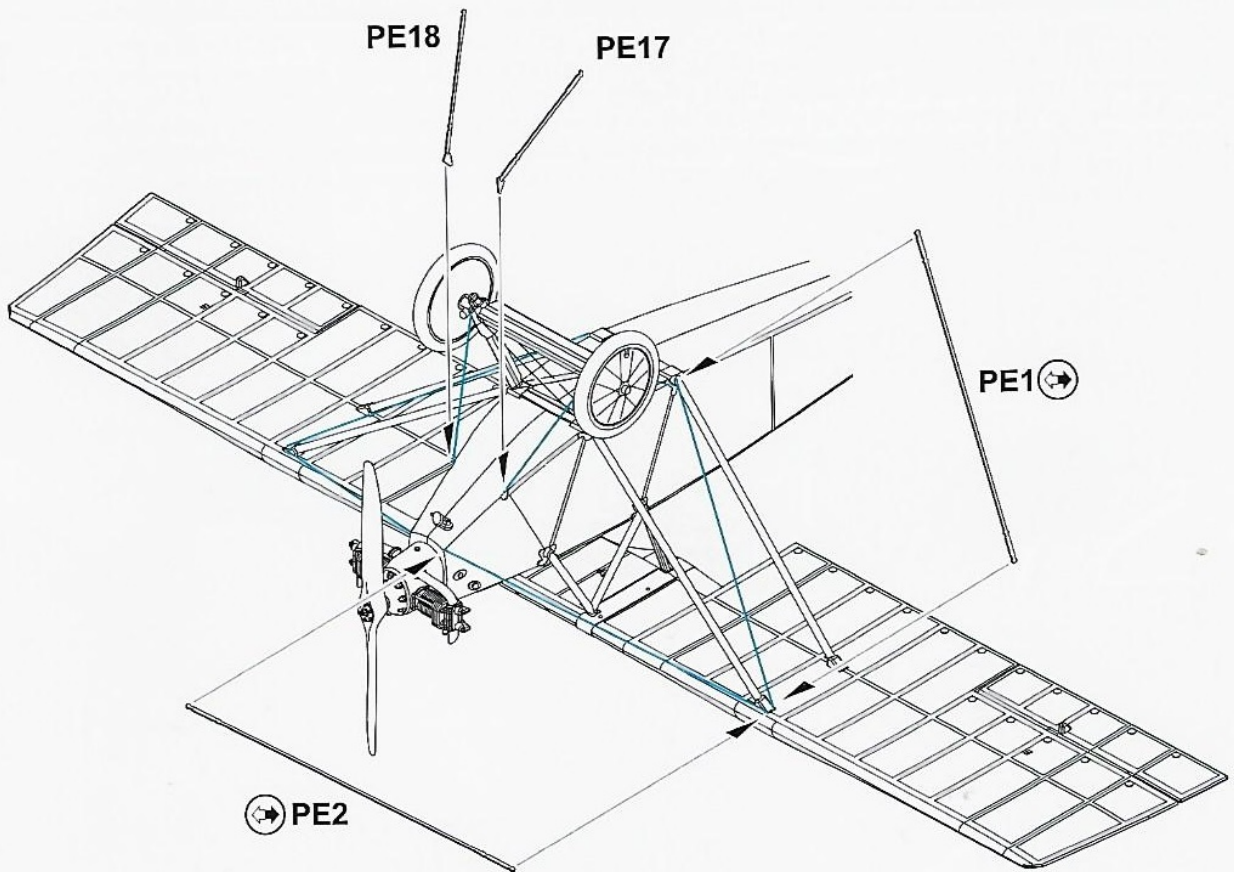
A



B

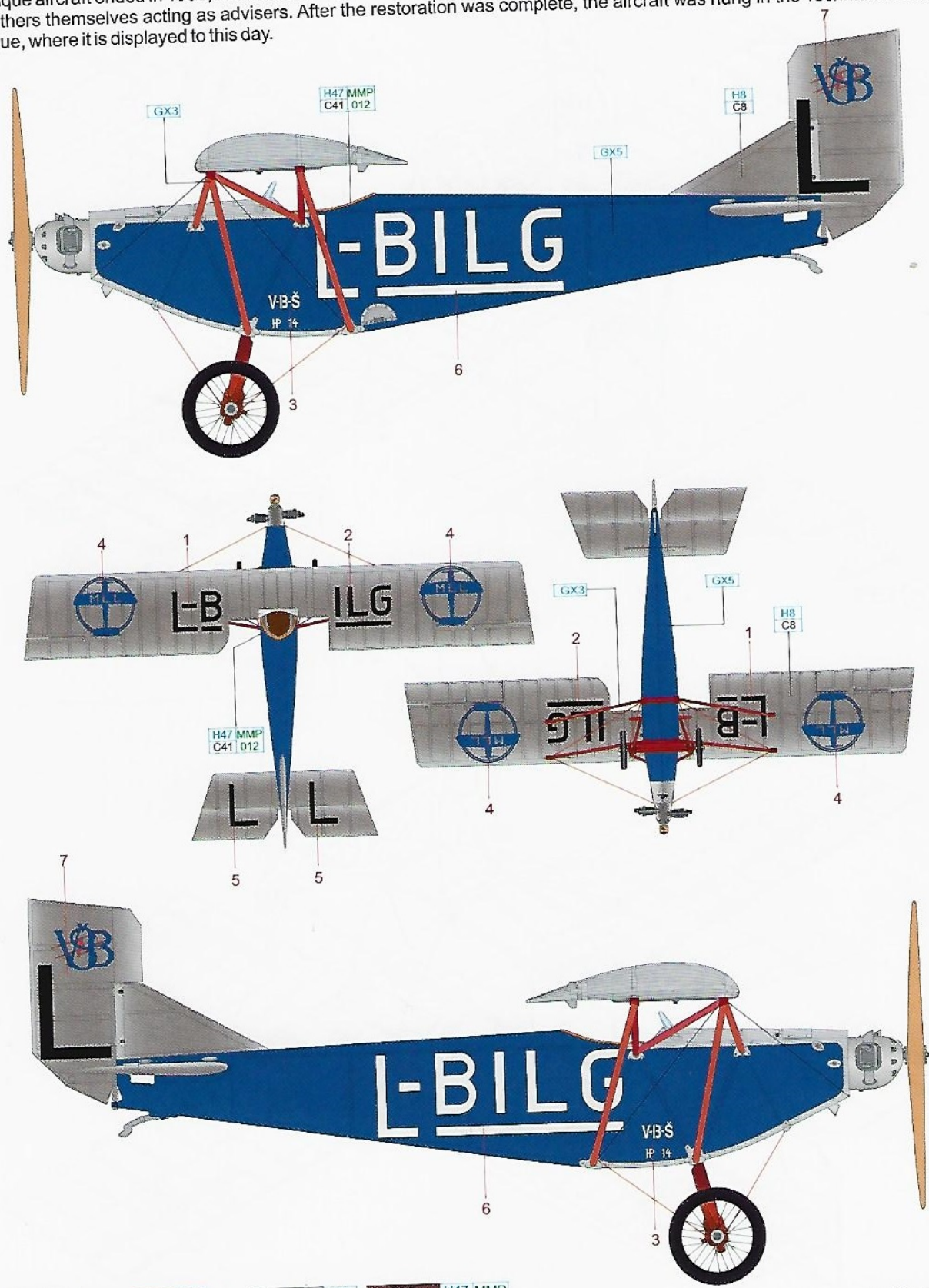






VBSH Kunkadlo, National Technical Museum, Prague, 1967 to the Present Day

Construction of the Kunkadlo was begun by the brothers Bohuslav and Vladimir Simunek in 1926. The aircraft was completed and flown a year later. The initial flight was conducted by Major Skala, who would become known as a member of a later long distance flight from Prague to Tokyo. After the first flight, the wing position was changed in that it was raised above the fuselage and moved slightly aft. Vladimir Simunek took part in several air shows with this sport plane. The flying career of this noteworthy and unique aircraft ended in 1930, when issues began to arise with its glued construction. The airplane was restored in 1967, with the brothers themselves acting as advisers. After the restoration was complete, the aircraft was hung in the Technical Museum in Prague, where it is displayed to this day.



BLUE	GX5	RED	GX3	SILVER	H8 C8	RED BROWN	H47 MMP C41 012
------	-----	-----	-----	--------	-------	-----------	-----------------

eduard