



Liefladeanhänger für Panzerkampfwagen

(Sd. Ab. 115)

— Liefl. Anh. für Pz. Kpfw. (Sd. Ab. 115) —

Gerätbeschreibung und Bedienungsanweisung

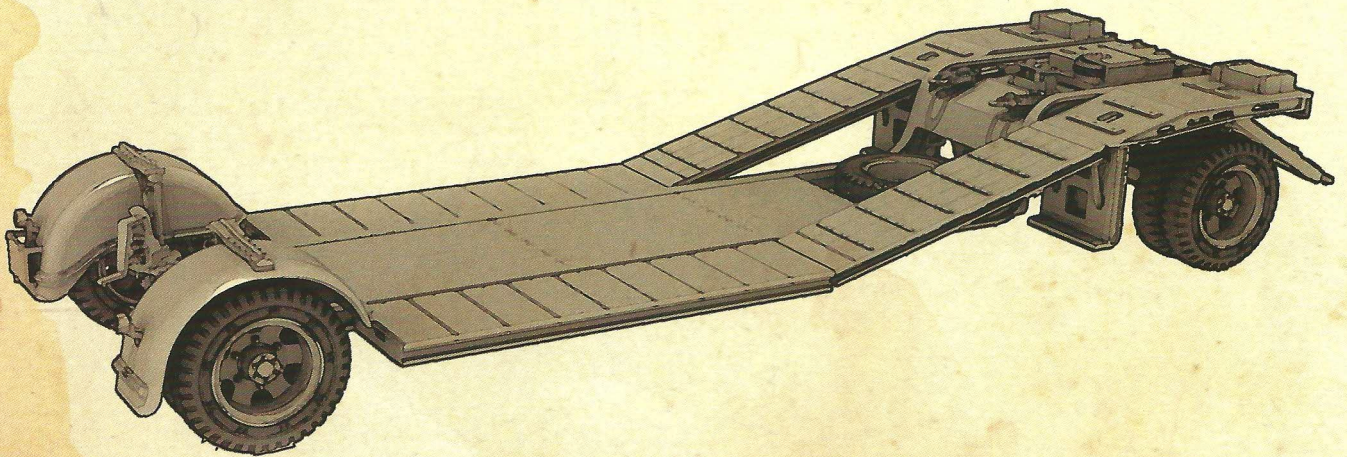
Bom 14. 9. 38



Sd.Ah.115

The Sd.Ah.115 was a heavy-duty, 2-axle transport trailer designed to carry German armor in service at the time. With a stated load capacity of 10 tonnes, the Sd.Ah.115 was capable of carrying a wide variety of vehicles. In fact, a wide variety of vehicle loads can be seen atop the Sd.Ah.115 in period photographs. An earlier 8 tonne version first served in the Spanish Civil War. The 10 tonne version was deployed to transport the lighter Panzer I and II tanks during the early years of the Second World War. As the Wehrmacht moved through Europe, the Sd.Ah.115 could be seen carrying a wide variety of non-German vehicles. Some examples even survived the war and can be seen being used in the rebuilding of Europe after the end of the war.

This Das Werk model kit has been designed to offer a wide variety of display options. The front tow-bar is moveable, the front axle can be rotated, the upper ramps can be re-positioned to the rear of the vehicle in a loading configuration (or the small, alternate ramps can be used and the forward ramps can be left in place, as is seen in some photos), the lower forward ramps can be installed in the stowed or raised configurations, and the rear axle can be left off in the loading configuration. Consult reference photos for configuration information.



Warning: Choking hazard. Keep small bits and pieces away from toddlers. Use paint and glue in well-ventilated areas only, away from open flame. Wear protective gear while working with knives and while sanding. Protect your lungs from dust and fumes. Beware of sharp edges.

Assembly: read the instructions carefully before starting assembly. Dry-fit parts and subassemblies before installing them. Use a primer to spot small irregularities before final painting.

Painting: Always run a paint test bed parallel to the project. Test chemical reactions and products from different brands for compatibility before combining different products on your model. Use the test bed to experiment with weathering effects as well. A test bed can also help with adjusting airbrush settings before turning the airbrush on the model.

Decals: Soak decals in warm water until they become loosened from the carrier film. Consider using softeners and setting solutions. Avoid trapping air bubbles under the decal. Seal decals with a clear coat after they have thoroughly dried.



SAND / FILE



DRILL



CUT / TRIM



REPEAT



REPEAT



USE CA GLUE



NO GLUE



PAINT



DECALS



CAUTION



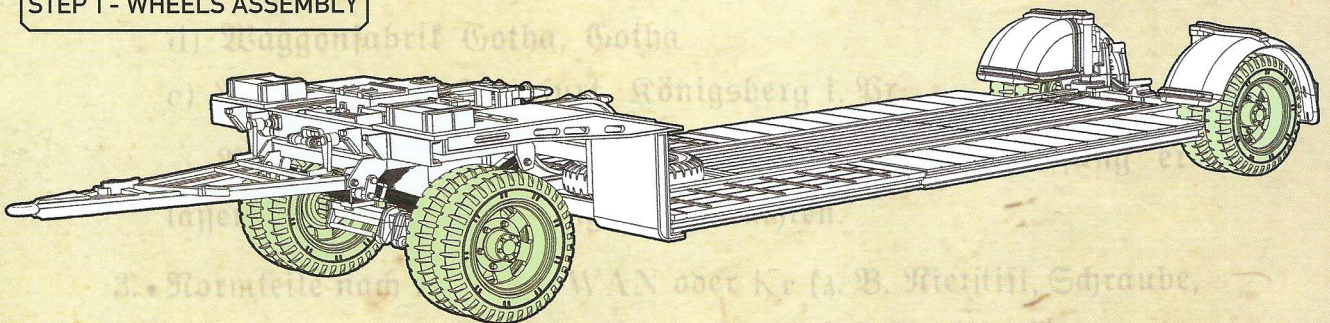
OPTION

check when completed →



SPRUE / PART NUMBER

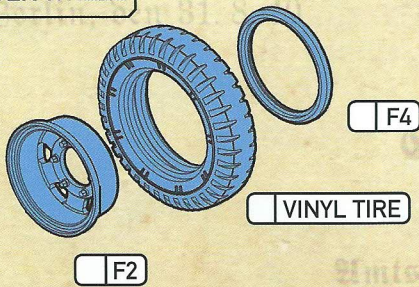
STEP 1 - WHEELS ASSEMBLY



STEP 1.1 - OUTER WHEEL



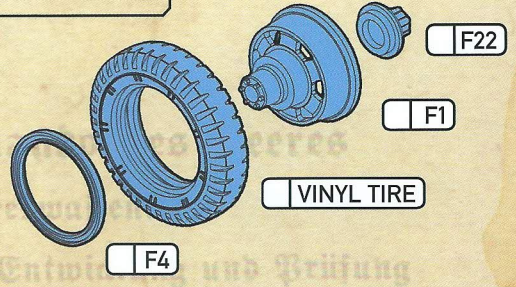
REPEAT



STEP 1.2 - INNER WHEEL



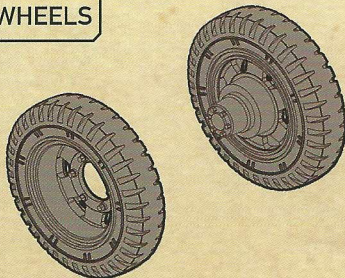
REPEAT



STEP 1.3 - JOIN WHEELS



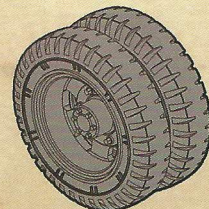
REPEAT



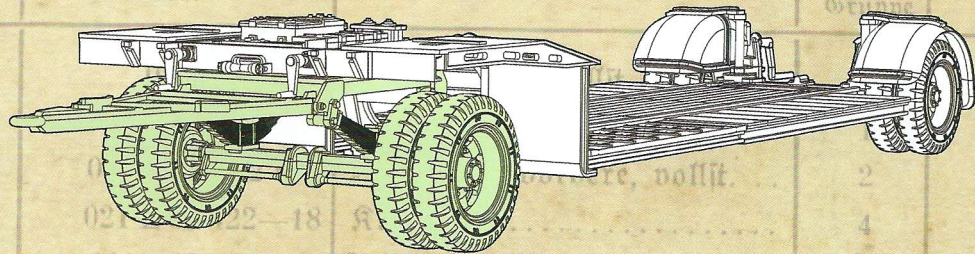
STEP 1.4 - COMPLETED



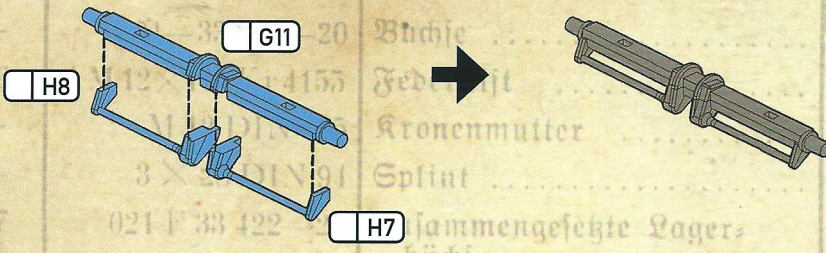
REPEAT



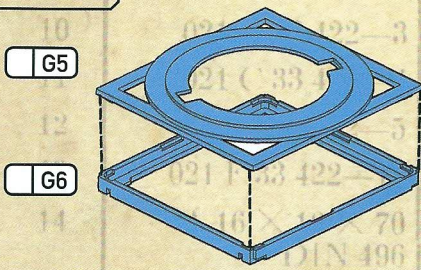
STEP 2 - FRONT AXLE ASSEMBLY



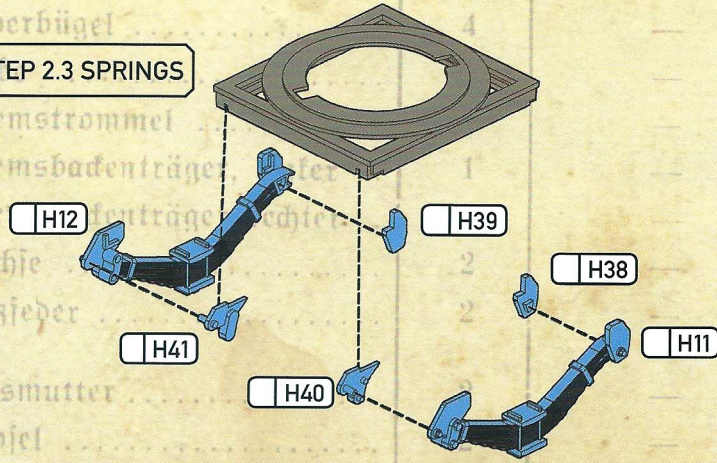
STEP 2.1 AXLE



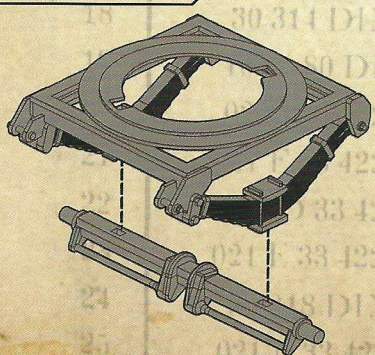
STEP 2.2 FRAME



STEP 2.3 SPRINGS



STEP 2.4 ADD AXLE



STEP 2.5 ADD WHEELS

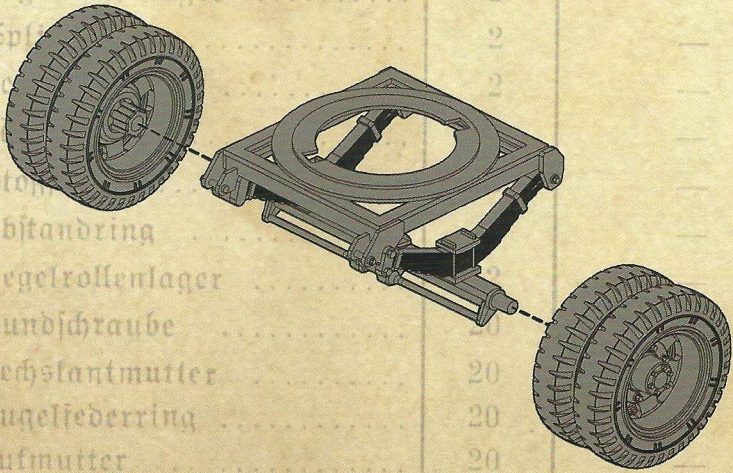


Bild-Nr.	Ersatzteil-Nr.	Bezeichnung	Stückzahl je Gruppe	Bemerkung
1			2	
2			2	
3	021 F 33 422-18	Federbündel	4	
4	021-33 422-19	Federbündel	2	
5	M 12 x 110 DIN 931	Sechskantschraube	4	
6	M 12 DIN 934	Sechskantmutter	4	zu Bild Nr. 5
7	3 x 3 DIN 91	Splint	2	zu Bild Nr. 6
8	021 F 33 422	Sammelfeder	2	zu Bild Nr. 6
9	021 F 33 422-12	Federbügel	4	
10	021 B 33 422-2	Bremstrommel	1	
11	021 C 33 422-3	Bremssattel	1	
12	021 D 33 422-5	Bremsbacken	2	
13	021 E 33 422-4	Bremsbacken	2	
14	021 F 33 422-7	Stoßdämpfer	2	
15	021 G 33 422-6	Nachmutter	2	
16	021 H 33 422-8	Kapsel	2	
17	021 I 33 422-15	Regelrollenlager	2	
18	30 314 DIN 720	Regelrollenlager	2	
19	021 J 33 422-9	Splint	2	
20	021 K 33 422-26	Stoßdämpfer	2	
21	021 L 33 422-7	Stoßdämpfer	2	
22	021 M 33 422-14	Abstandring	2	
23	021 N 33 422-14	Abstandring	2	
24	021 O 33 422-14	Abstandring	2	
25	021 P 33 422 U 2	Bundschraube	20	
26	M 20 DIN 934	Sechskantmutter	20	
27	021 Q 33 422-16	Kugelfederring	20	
28	021 R 33 422 U 3	Hutmutter	20	
29	A 16 Nr. 1411	Druckschmierkopf	2	
30	M 18 DIN 935	Kronenmutter	8	
31	M 18 DIN 91	Splint	8	

STEP 2.6 ADD TOW BAR

G7

G8

ACHTUNG! Limit glue to green areas!

ACHTUNG!

NOTE: Careful assembly will result in a movable tow bar!

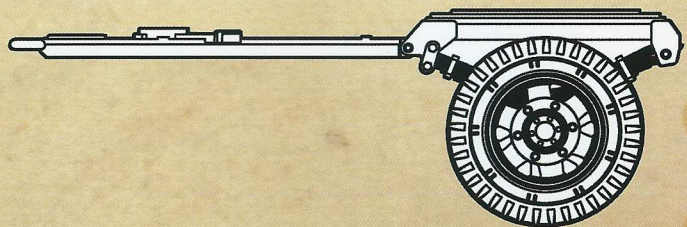
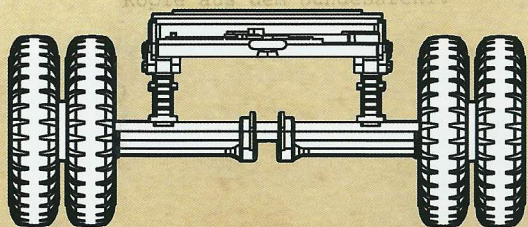
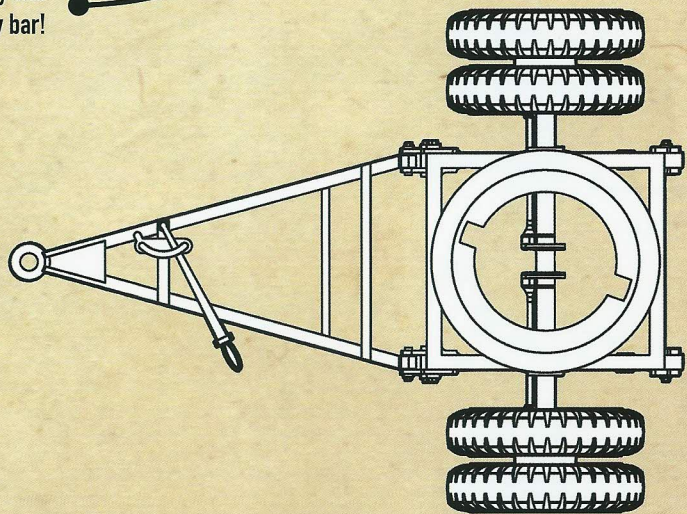
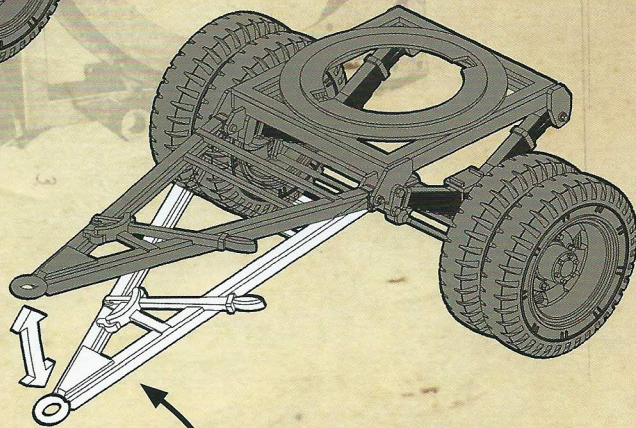
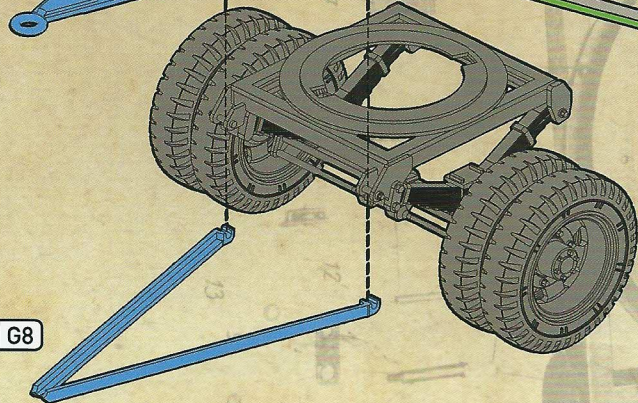
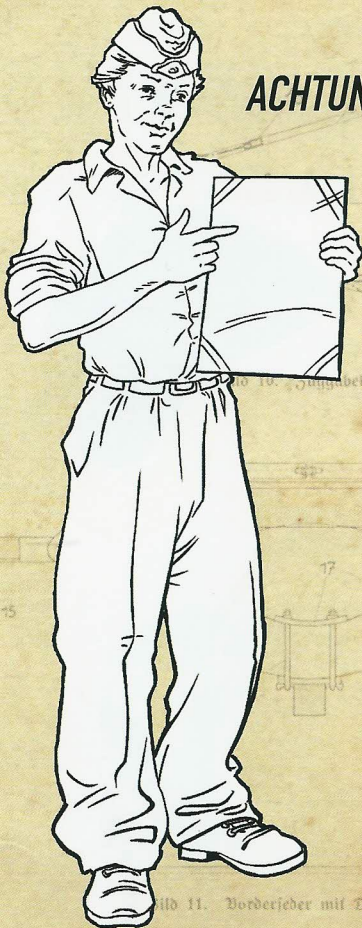
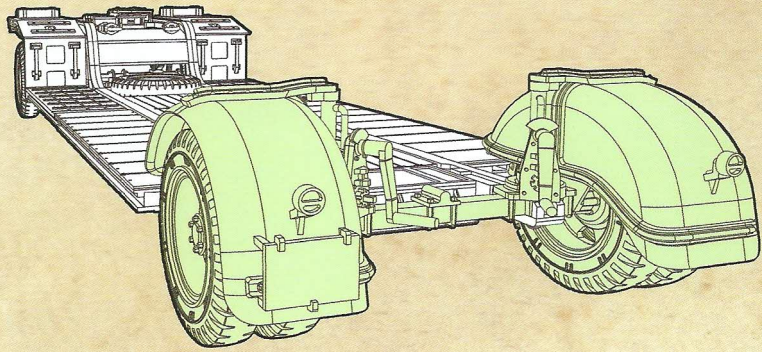


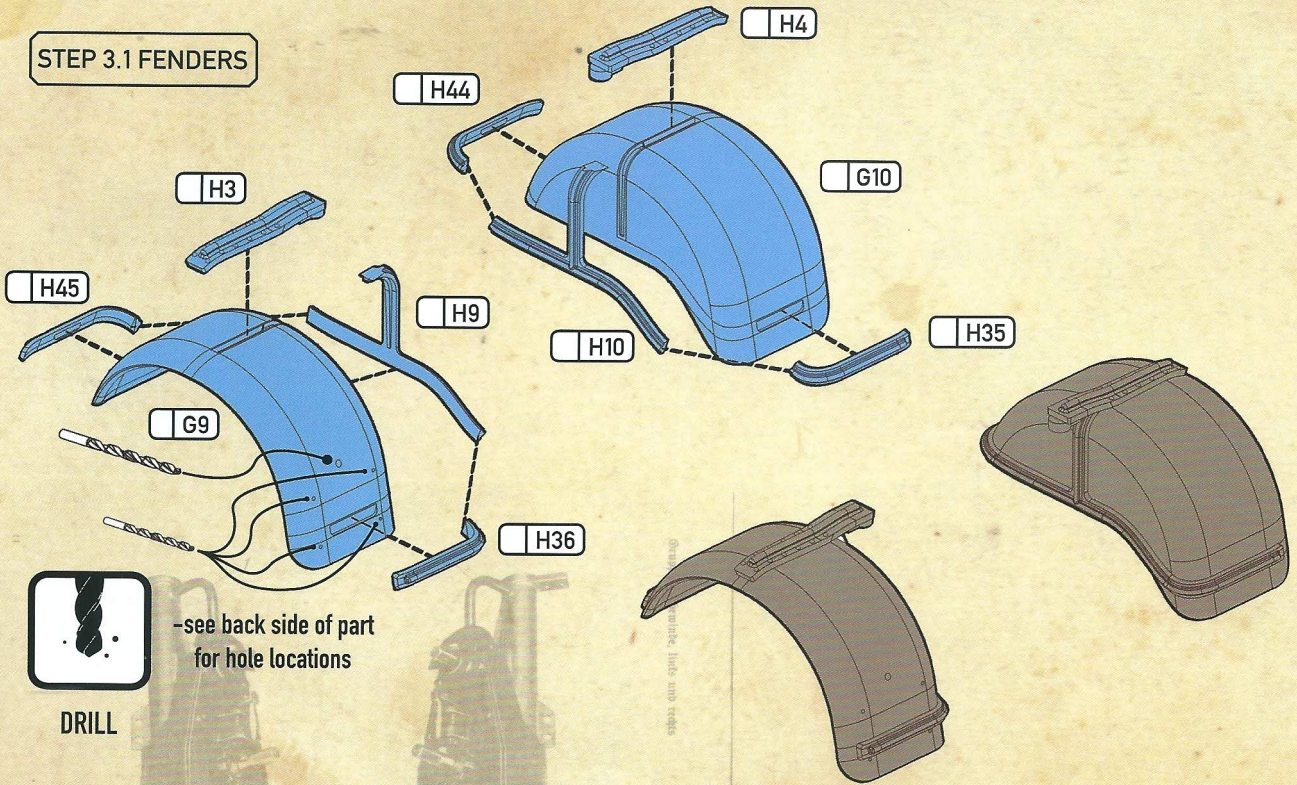
Bild 11. Vorderseiter mit Drehgestell.

Kopie aus dem Bundesarchiv

STEP 3 - REAR AXLE ASSEMBLY



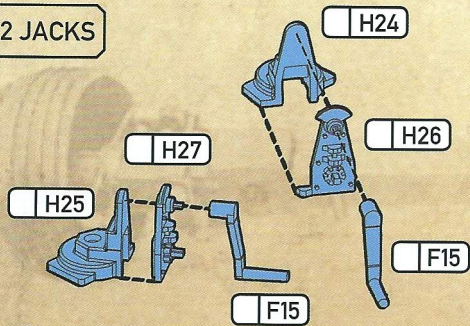
STEP 3.1 FENDERS



-see back side of part for hole locations

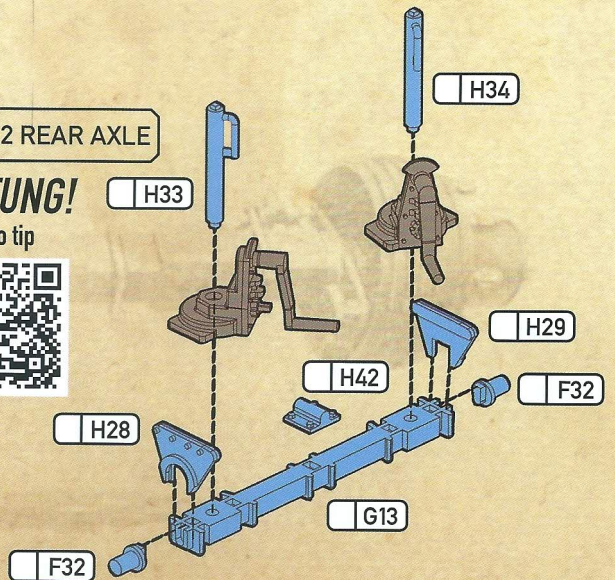
DRILL

STEP 3.2 JACKS

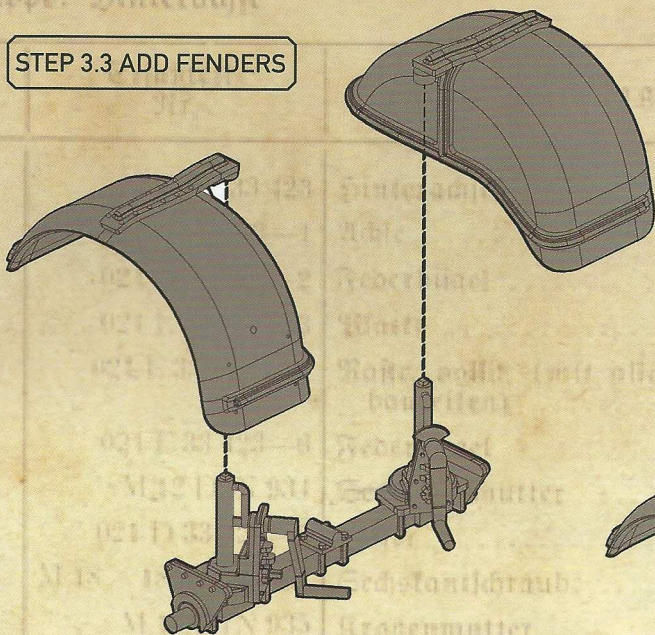


STEP 3.2 REAR AXLE

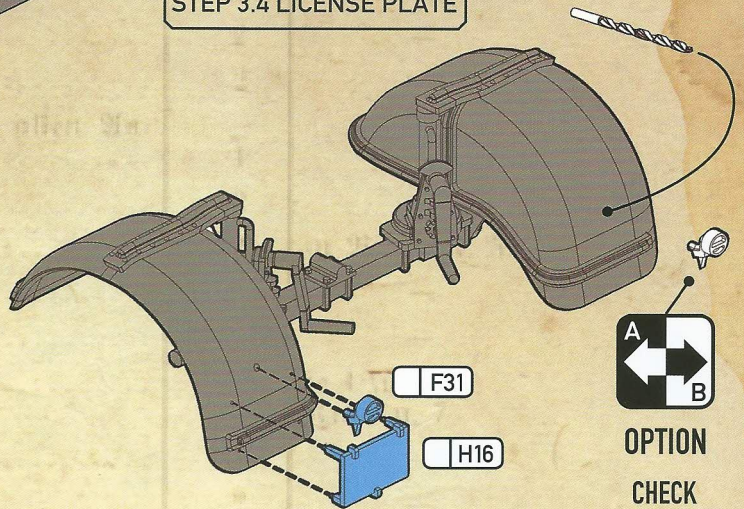
ACHTUNG!
video tip



STEP 3.3 ADD FENDERS



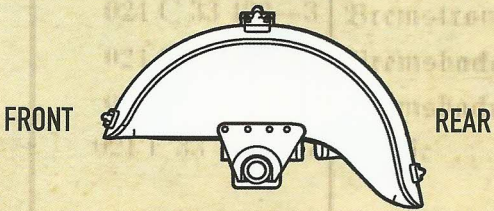
STEP 3.4 LICENSE PLATE



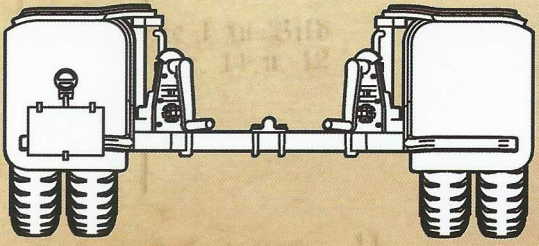
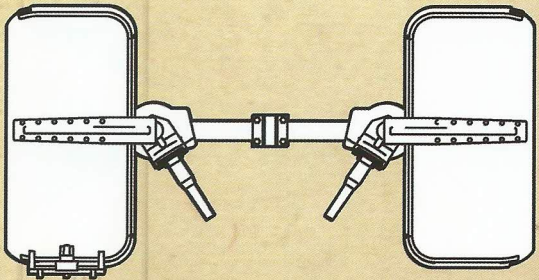
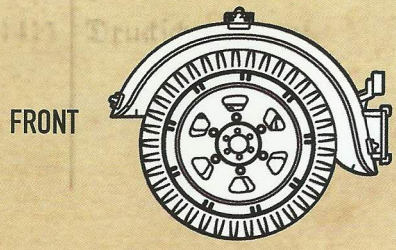
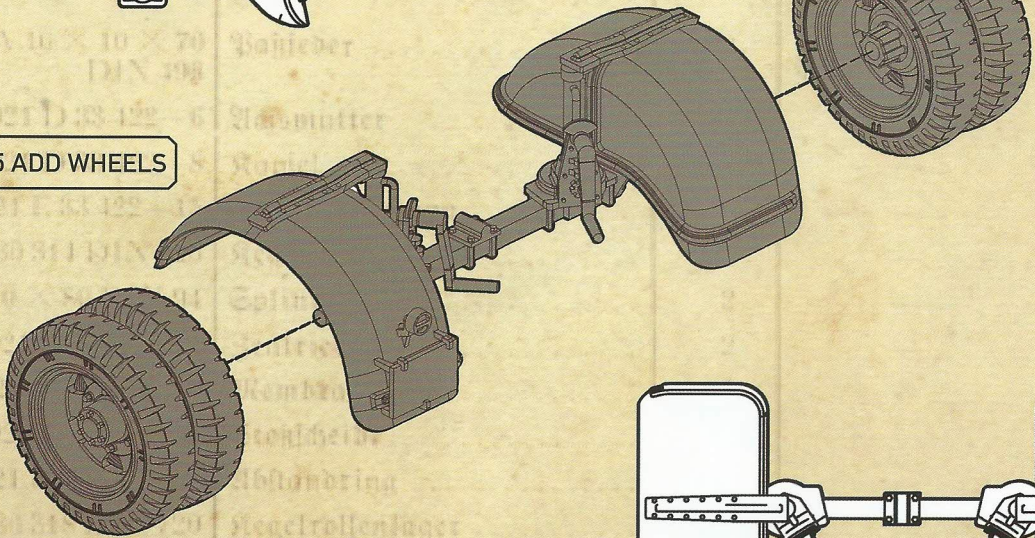
OPTION

CHECK YOUR REFERENCES!
see back side of part for hole location

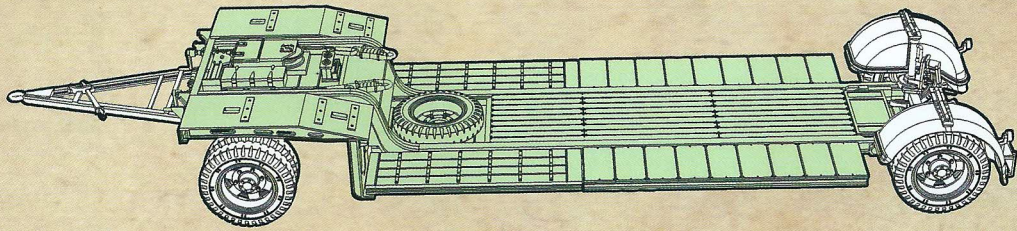
ACHTUNG!



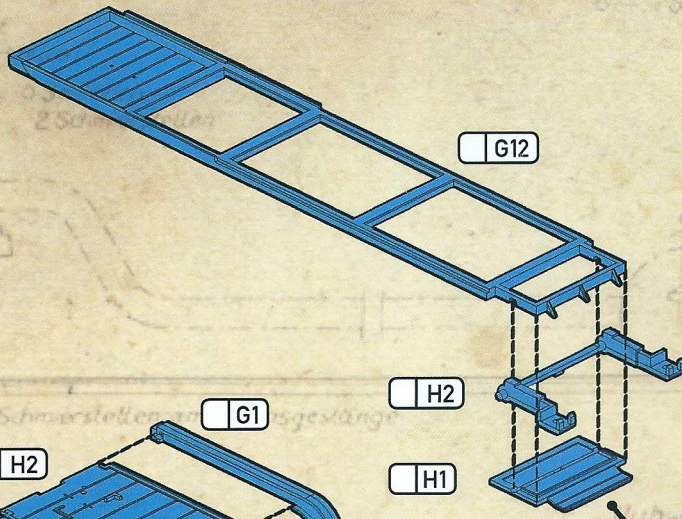
STEP 3.5 ADD WHEELS



STEP 4 - PLATFORM ASSEMBLY



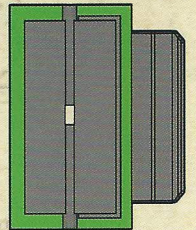
STEP 4.1 - FRAME REAR



ACHTUNG!

NOTE: Careful assembly will result in "FLOATING" rear axle.

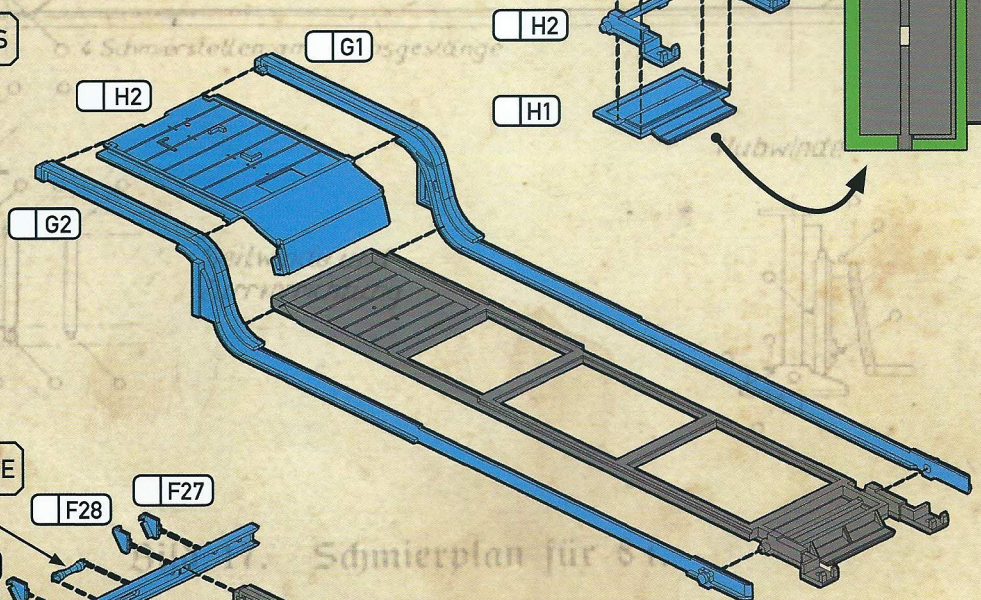
Limit glue to green areas



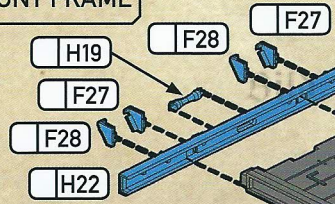
STEP 4.2 - FRAME SIDES

ACHTUNG!

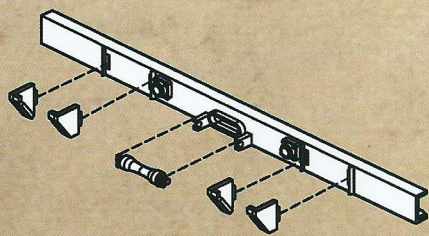
video tip



STEP 4.3 - FRONT FRAME

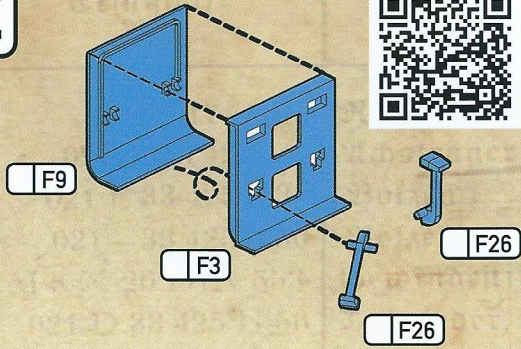


FRONT FRAME DETAILS



STEP 4.4 - SIDE VERTICALS

x 2

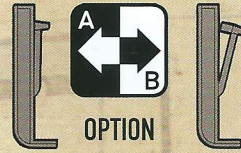


ACHTUNG!

video tip



ACHTUNG!



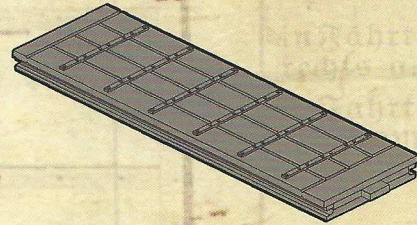
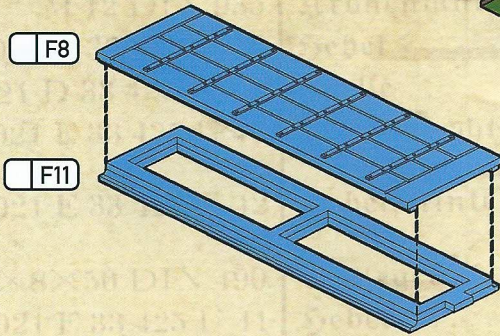
stowed ramps raised ramps

NOTE: Careful assembly will result in movable support arms

Limit glue to green areas!

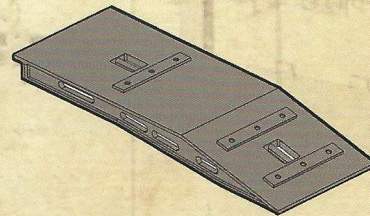
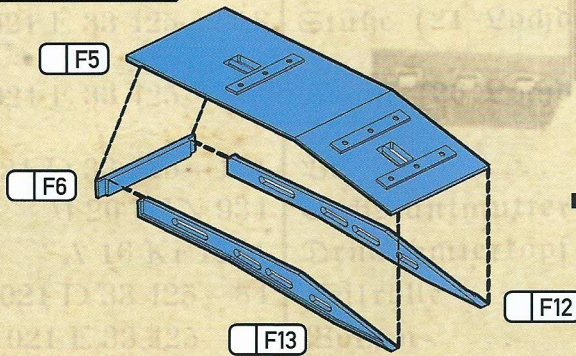
STEP 4.5 - LOWER RAMPS

x 2



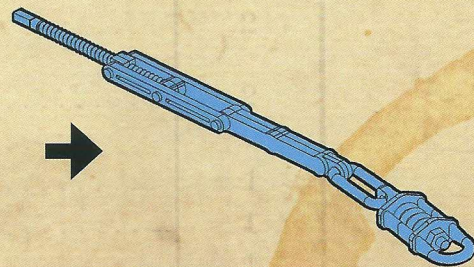
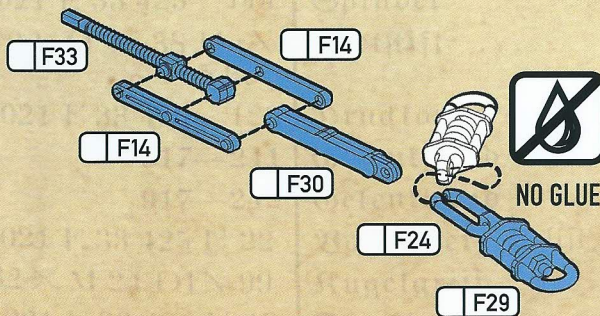
STEP 4.6 - UPPER RAMPS

x 2



STEP 4.7 - TOW TENSIONERS

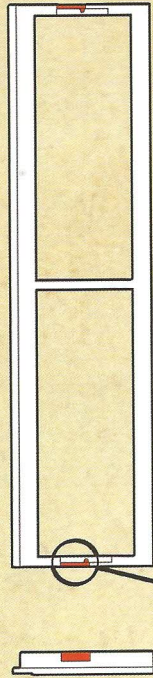
x 2



STEP 4.8 - ADD MAIN DECK

ACHTUNG!

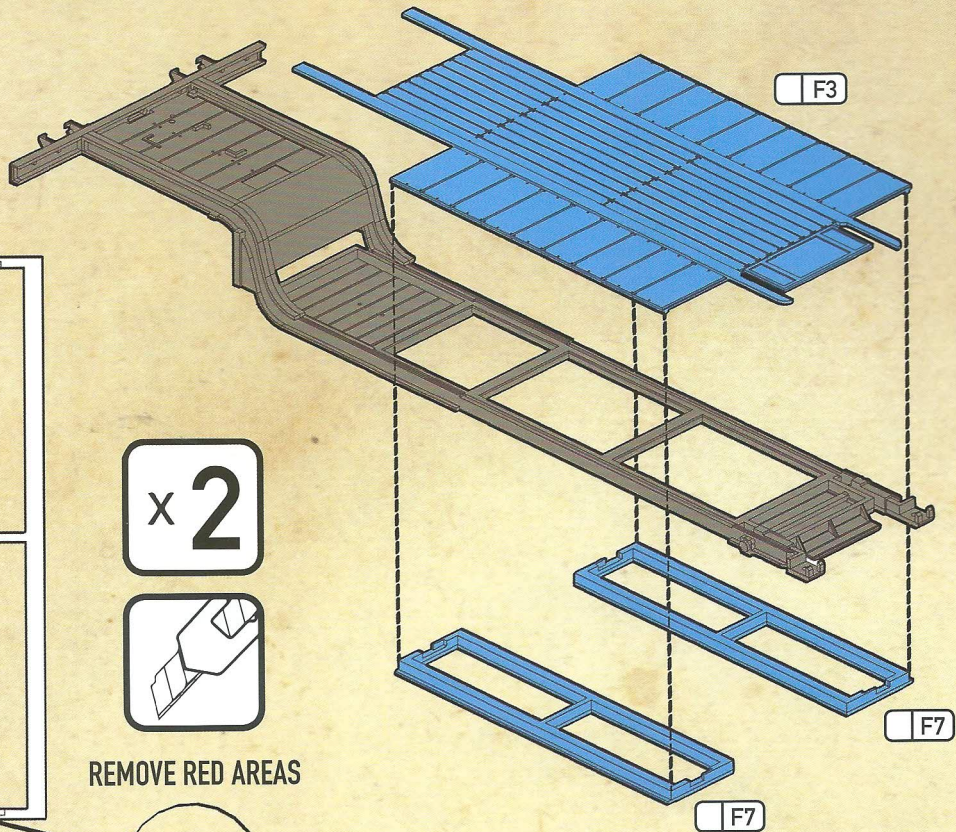
video tip



x 2

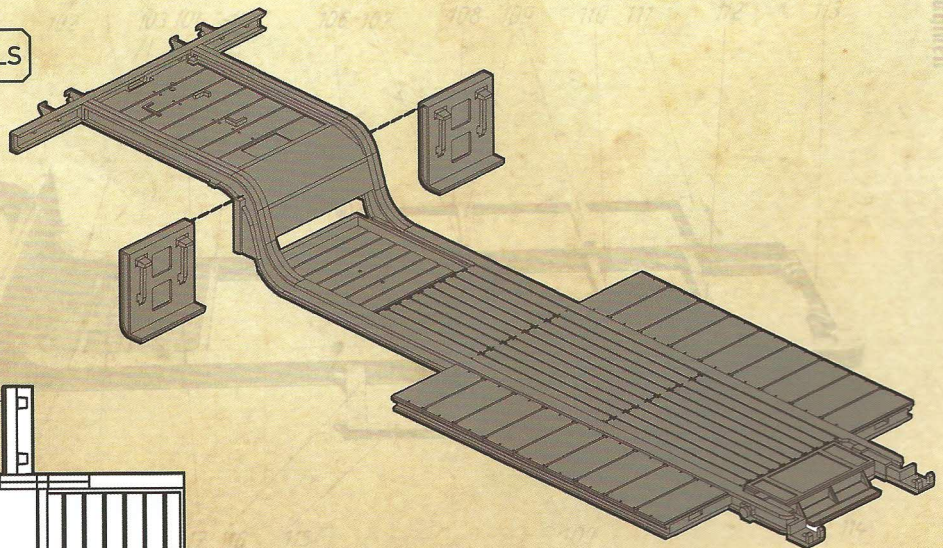
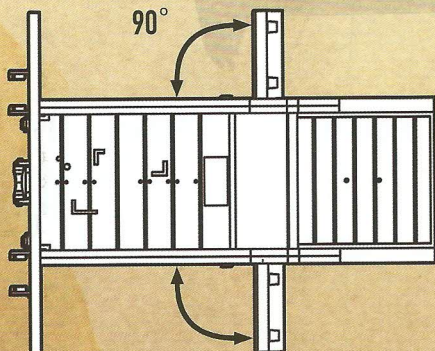


REMOVE RED AREAS



STEP 4.9 - ADD SIDE VERTICALS

ACHTUNG!



STEP 4.10 - ADD UPPER RAMPS



OPTION

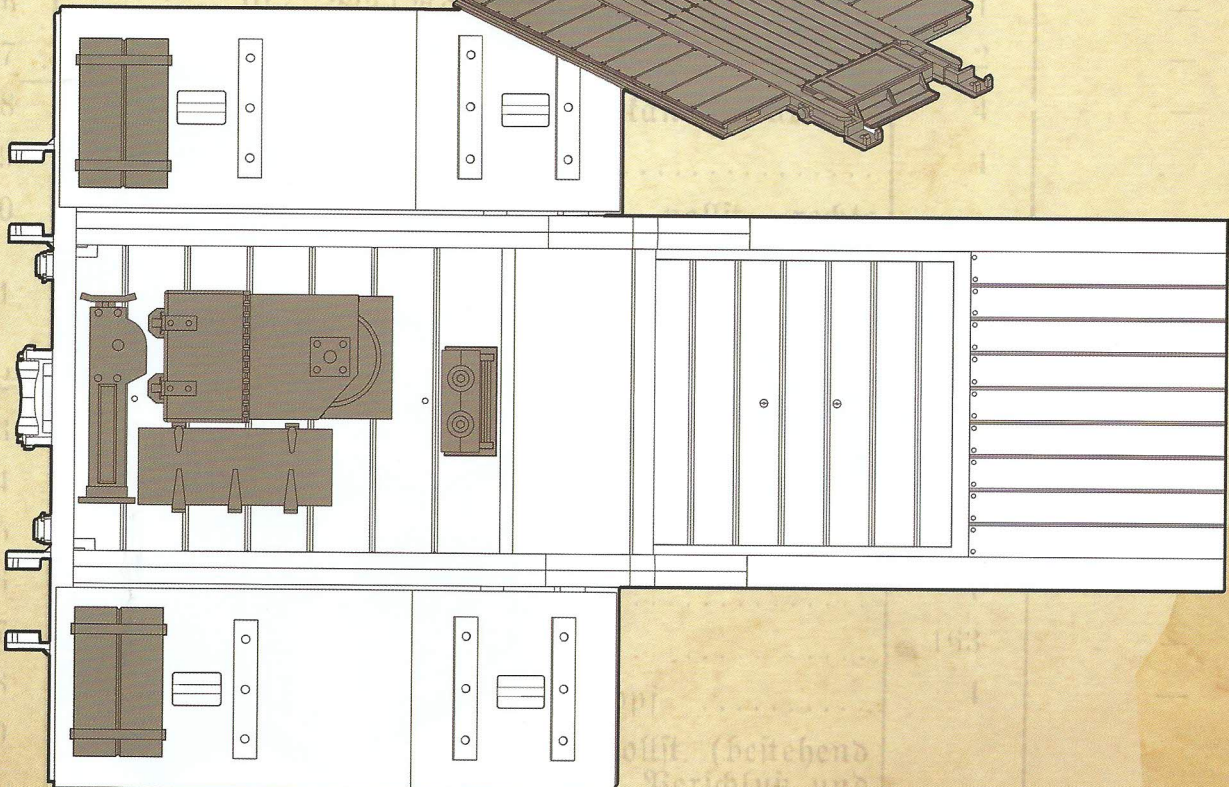
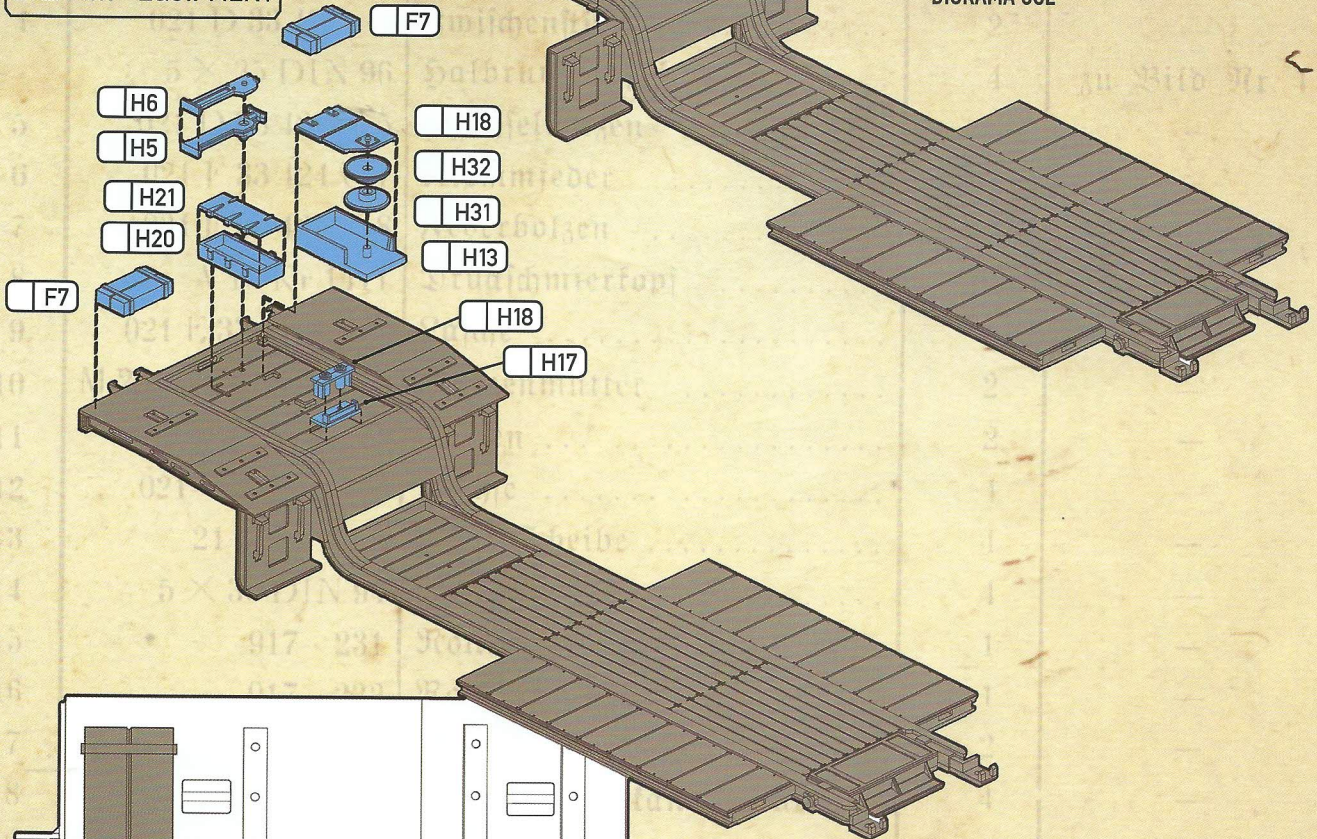


NO GLUE

ACHTUNG!

NOTE: RAMPS CAN BE
PLACED WITHOUT GLUING
AND
POSITIONED LATER FOR
DIORAMA USE

STEP 4.11 - EQUIPMENT



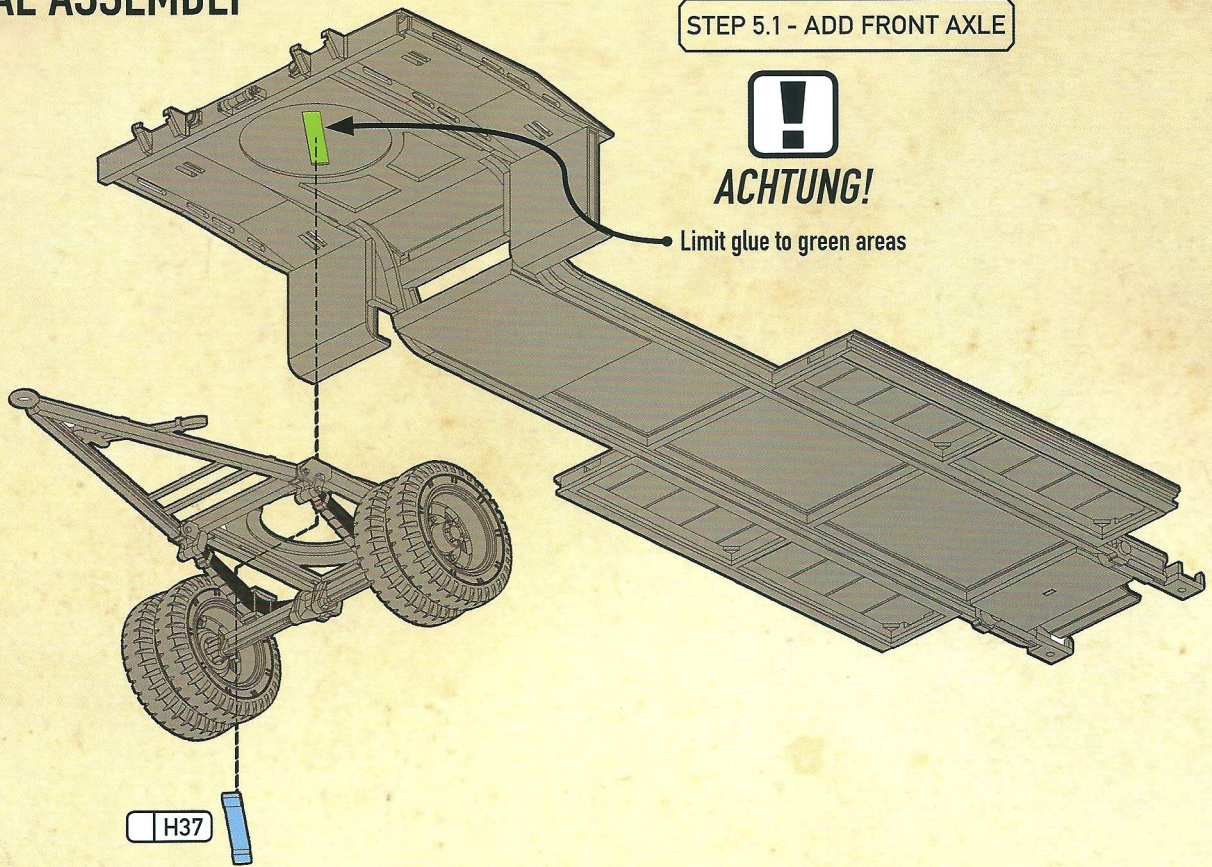
FINAL ASSEMBLY

STEP 5.1 - ADD FRONT AXLE



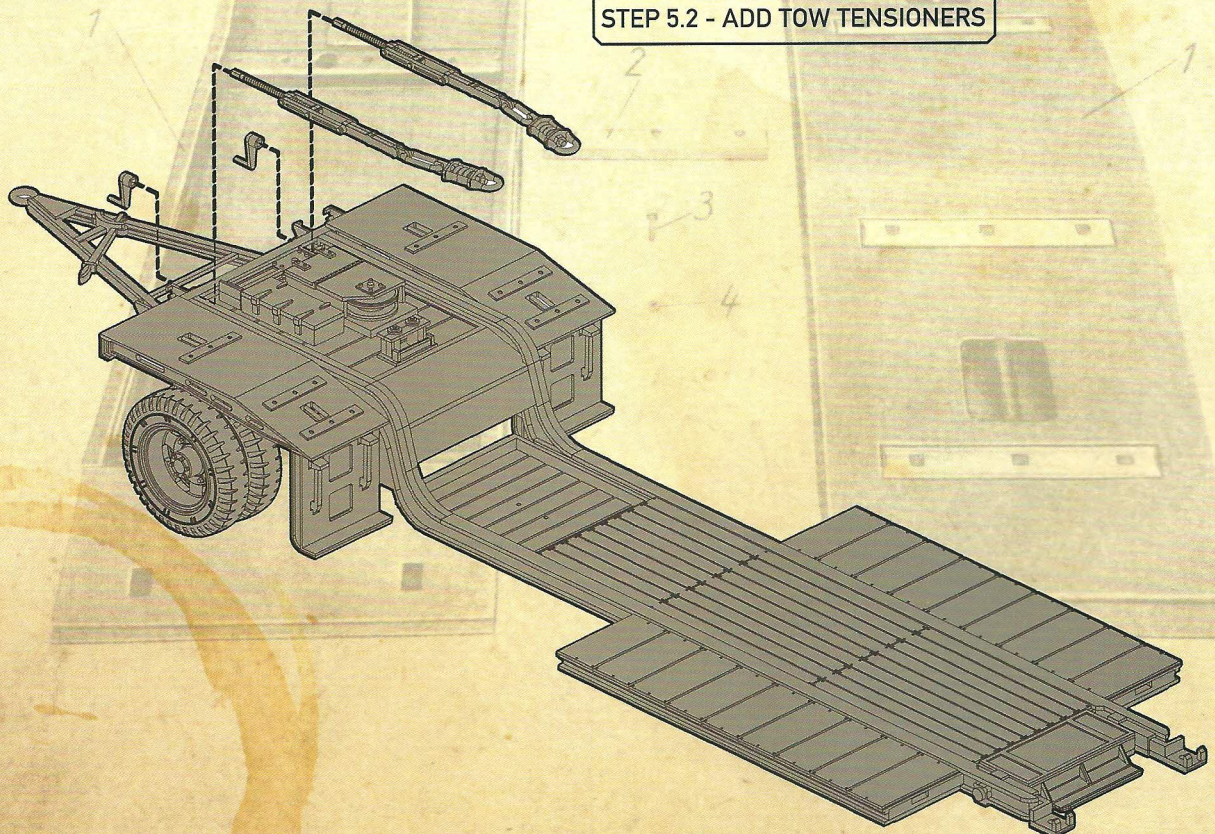
ACHTUNG!

Limit glue to green areas

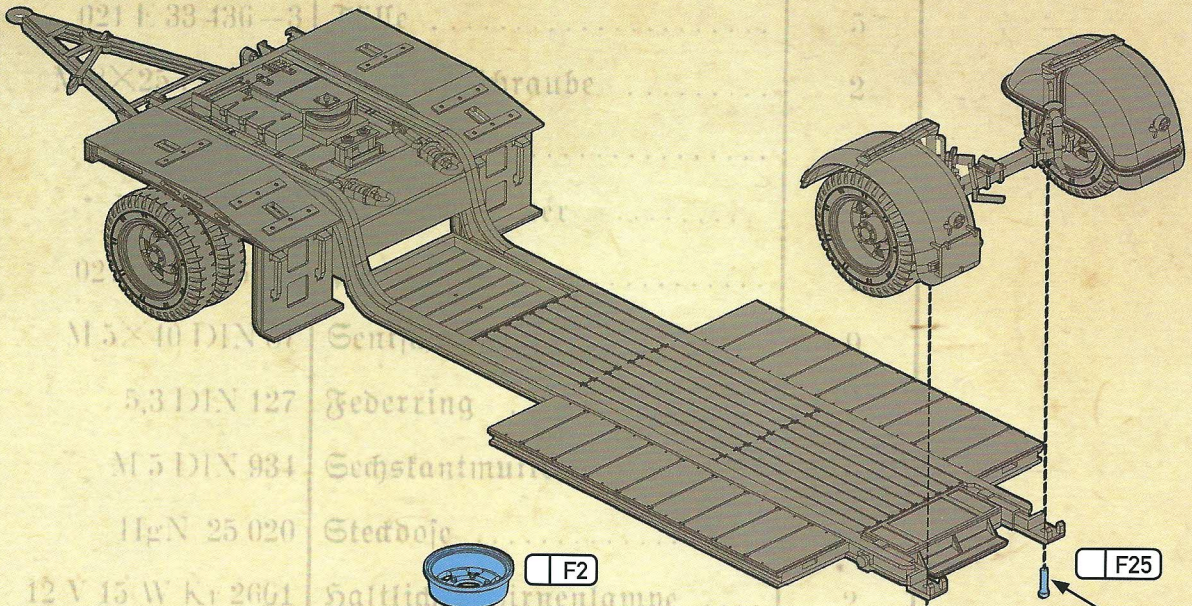


50

STEP 5.2 - ADD TOW TENSIONERS

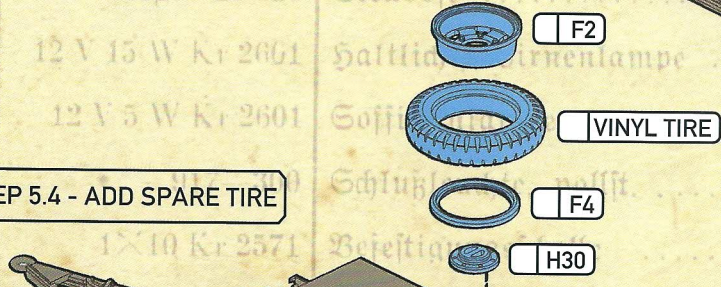


STEP 5.3 - ADD REAR AXLE



NO GLUE

STEP 5.4 - ADD SPARE TIRE

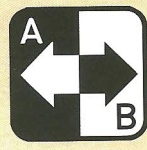


Gr. Nr.	Erstteil-Nr.	Benennung	Stückzahl je Gruppe	Bemerkung
1	3,2 HgN 25 021	Stederfabel	1	
2	021 F 33 436 - 3		3	
3		Schraube	2	
4				
5				
6	021 F 33 436 - 3		3	
7	M 5 x 10 DIN 934	Sechskantmutter	2	
8	5,3 DIN 127	Federring	2	
9	M 5 DIN 934	Sechskantmutter	2	
10	HgN 25 020	Stechdose	1	
11	12 V 15 W Kr 2601	Haftlicht / Arnenlampe	2	
12	12 V 5 W Kr 2601	Sofflicht	2	
13		Schlußschraube	2	
14	1 x 10 Kr 2571	Befestigungsschraube	31	
15		Mutter	31	
16			31	
17	M 4 x 10 DIN 934	Schraube	30	Länge nach Bedarf bestellen
18	M 5 x 10 DIN 934	Schraube	20	Länge nach Bedarf bestellen
19	5,3 DIN 127	Federring		
20	M 5 DIN 934	Sechskantmutter		
21	1 x 15 Kr 2571	Befestigungsschelle		
22	21 D 3599 - 87	Abblendlampe		

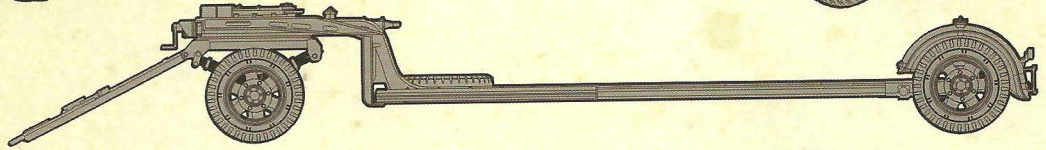
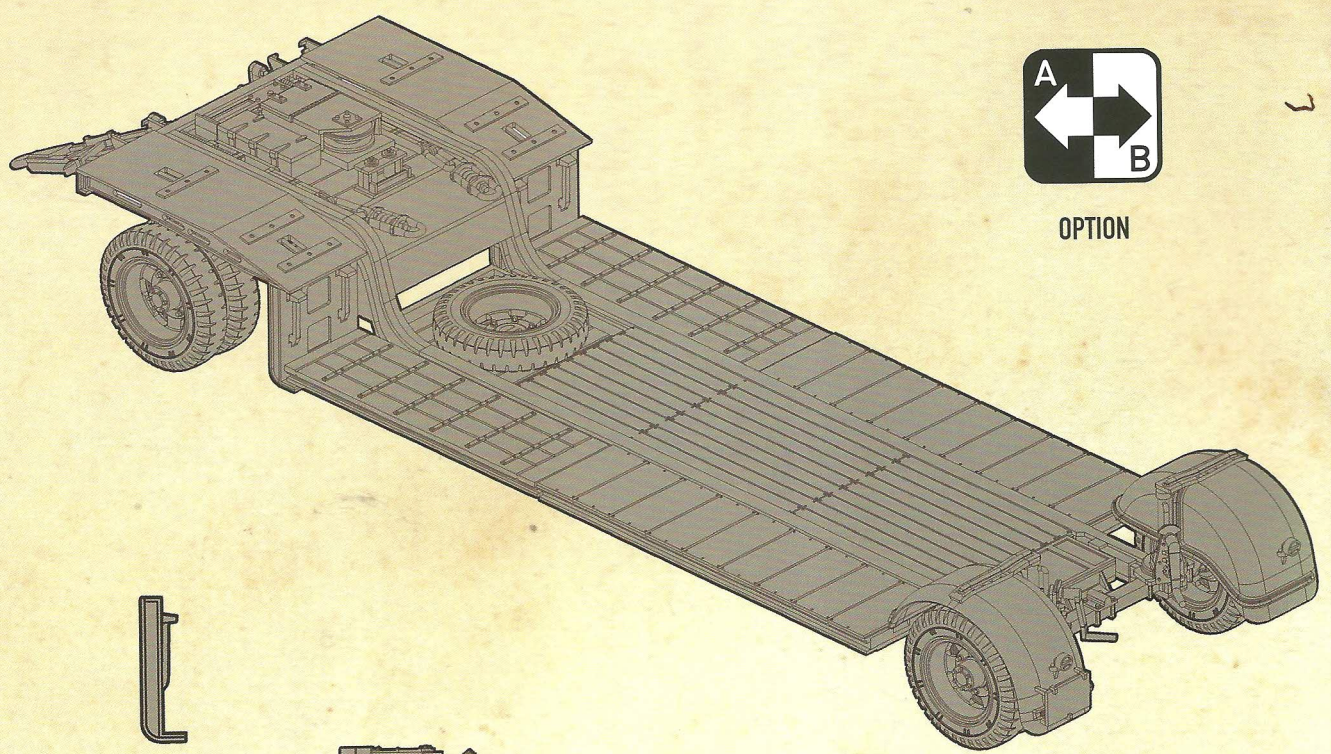
Gruppe: Luftaufbereitung

Seite 23

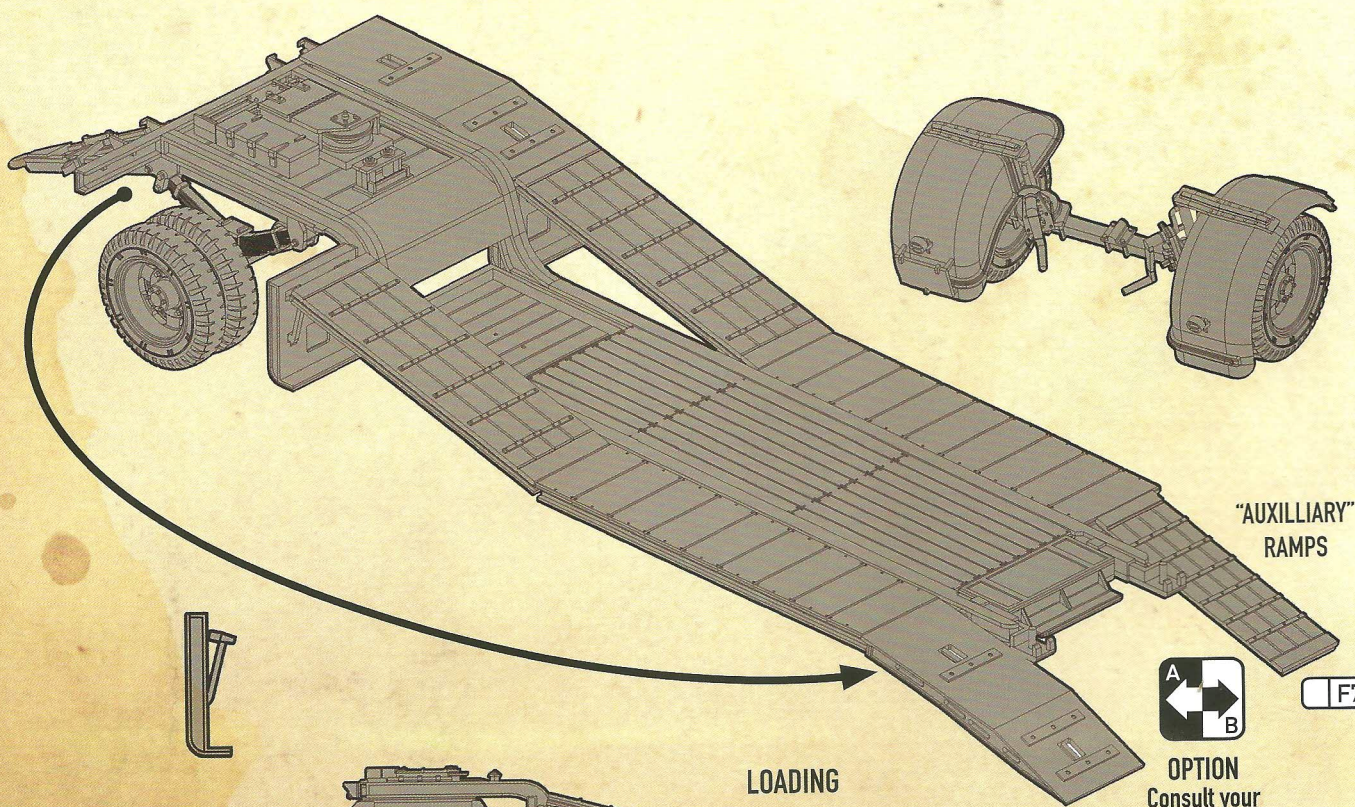
1



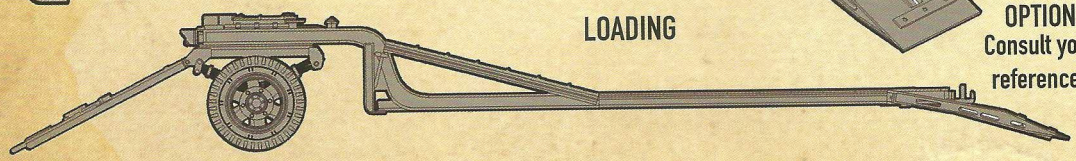
OPTION



TRANSPORT



"AUXILLIARY" RAMP

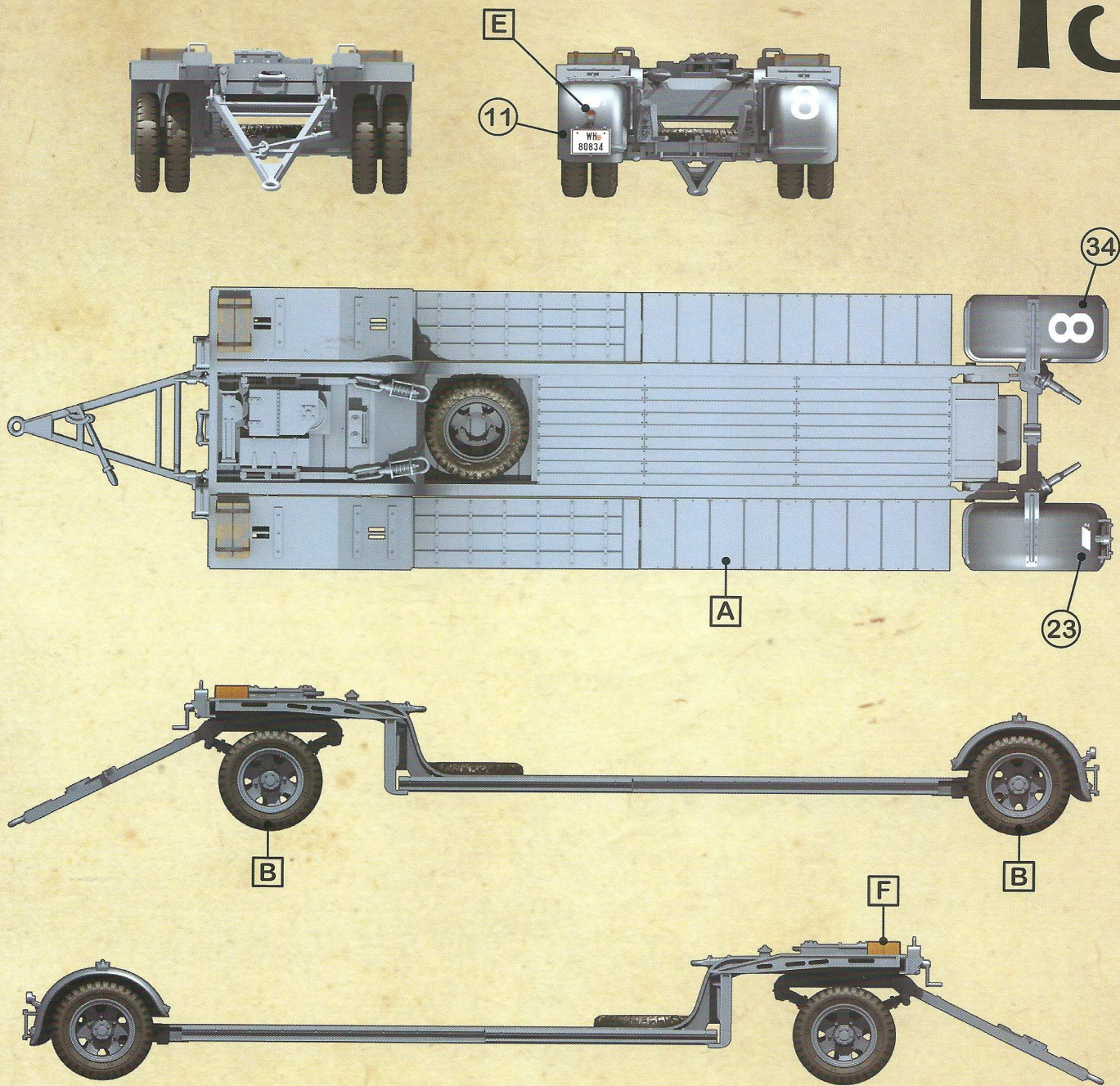



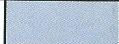





LOADING



OPTION
Consult your references

F7



		COLOR	RAL	Tamiya	Mr Hobby H-series	AMMO of Mig	Vallejo	Humbrol	Mission Models
A		German Gray	7021	XF63H	H0328	008	70,8621	82	MMP-014
B		Rubber	-	XF85	H0773	033	70,8558	5	MMP-040
C		Matte Black	9011X	XF1	H012	0046	70,9503	3	MMP-047
D		Matte White	9003X	XF2	H0115	0050	70,9513	4	MMP-002
E		Transparent Red	3001X	X27	H090	0093	70,9341	9	MMP-003
F		Wood	8011	XF68	H463	0064	70,846	110	MMO-123



Harald Bauske ~ CEO

As the owner and managing director of Modellbau König GmbH & Co KG, Harald assembled a team of creative professionals and provided the budgets to pursue one of his dreams: releasing a plastic model kit under his own brand. Now, in late 2018, his dream has come true. Back in 1999, when he made the first steps with his company, he did not imagine that this dream would ever become a reality.



Michael Baldeweg ~ Owner of CUSTOMSCALE

Modeling as a hobby has fascinated Michael since childhood. His earliest memories include building a ship together with his father. The "modeling bug" really took hold as he discovered his talent for painting lexan car bodies, which expanded his abilities in scale modeling. Then, as an ambitious scale modeler, he entered several competitions, like the Tamiya Cup, and scored several Gold medals. In 2003 he became particularly interested in resin models. The dynamics of his personality soon led to the formation of CUSTOMSCALE, a brand specializing in very interesting and unique vehicles. After seeing several of his catalog items released in plastic by other brands, he decided to partner with others to release his own designs directly to plastic. The co-operation of DAS WERK and CUSTOMSCALE is the result of this decision.



Pete Hamann ~ 3D designer, CAD modeler, Graphic Design

Born and raised in California, Pete worked on his design chops as an aerospace designer in Seattle, Washington, before packing up and relocating to Spain. He developed a deep interest in flying machines while growing up next to military air bases in Southern California. After spending a few years as a machinist, making other people's designs a reality, he obtained a bachelor of arts degree in industrial design from The Academy of Art in San Francisco, California.

Pete can be reached at Peterjhamann@gmail.com

