

1:72 SCALE

P-51D "Mustang" IV



EASY ASSEMBLY AUTHENTIC KIT



bend
弯曲



decal
贴纸



no cement
不涂胶水



option
选择



cut / remove
切除



make hole
钻孔



weight
配重



cyanoacrylate glue
强力胶

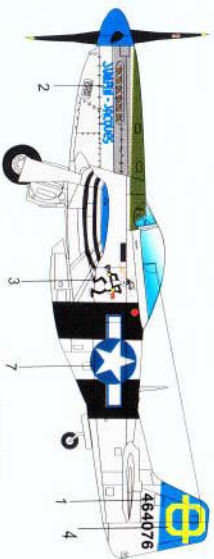
水贴纸的使用方法:

- 一.把相关的印花从水贴上剪下, 放入40℃左右的温水中浸10秒.
- 二.然后将印花放在干净的布上.
- 三.拿上印花纸板, 手指蘸水将印花移到适当的位置.
- 四.用软干布轻压印花直至水干, 气泡消失.

The way to apply the decals

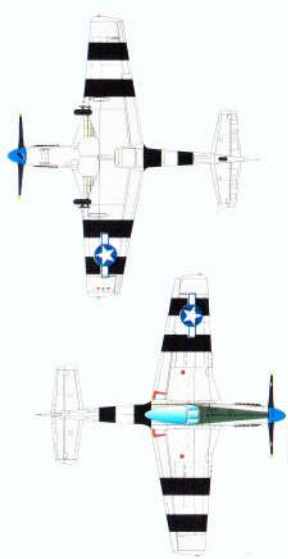
1. Cut off the decal from the decal paper and put it into the warm water 40°C for 10 seconds.
2. Take the decal from the water and put it on a piece of clean cloth.
3. Remove the decal slowly from the paper to the targeted location by a wet finger.
4. Use a piece of dry and soft cloth to press it gently on the decal until it getting dry and no bubble existing.

3FFS 3FG 5AF

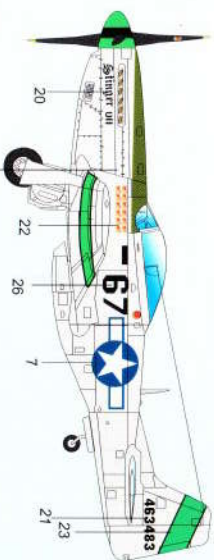


H 304 304
绿色
Dark green

H 8 8
银色
Silver

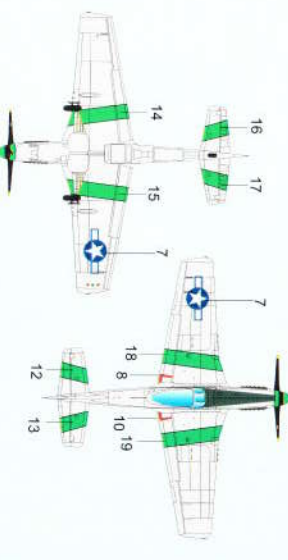


45FFS 15FG 1945



H 304 304
绿色
Dark green

H 4 4
银色
Silver

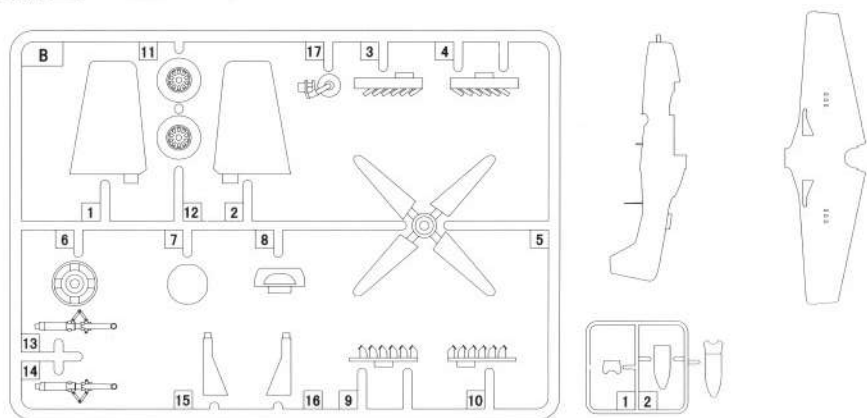


涂装同桥贴指示
Painting & Marking guide

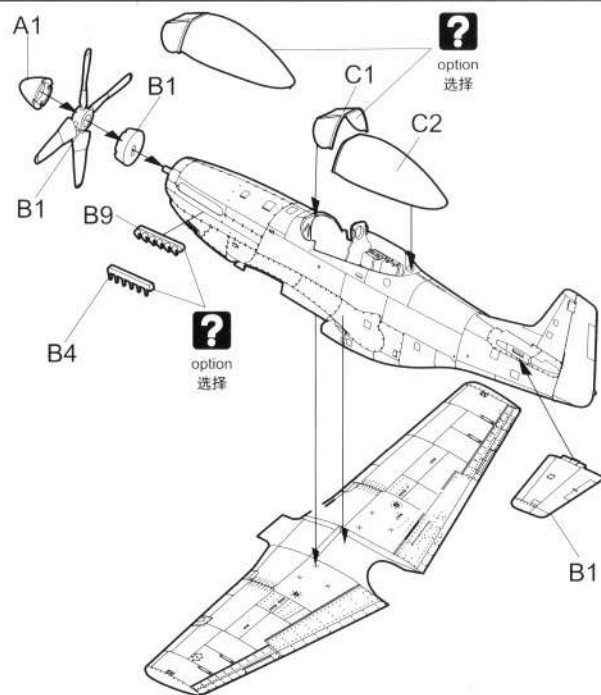
H X GUNZE SANGYO ANQUEOUS HOBBY COLOUR X GUNZE SANGYO MR. COLOUR

*Some paints may not be available in your country. Please check your local hobby shop for substitute

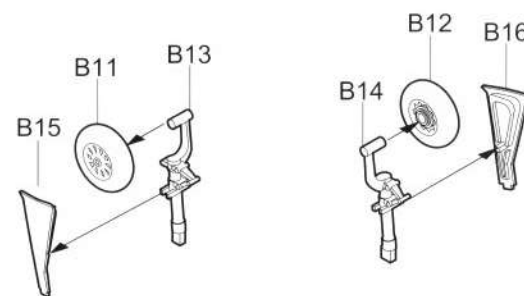
部品图 Parts



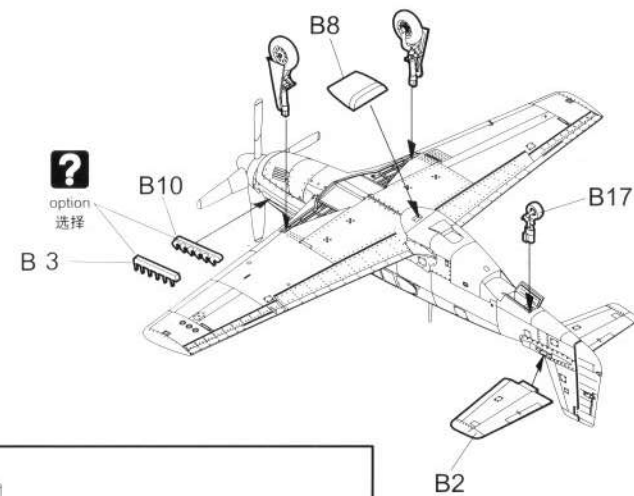
1



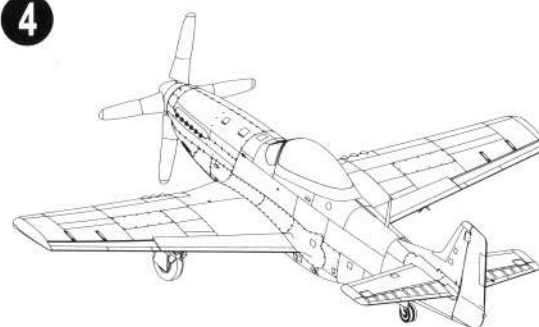
2



3



4



1
464076 464076

2 JUMPIN'-JACQUES



UNAPPLICABLE PARTS LIST
SEE PLATE 10 FOR LIST
OF PARTS TO BE USED
WITH THIS SET OF PARTS

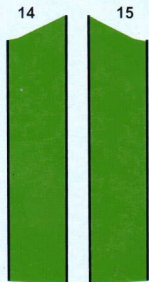
11



Stinger VII 20

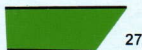
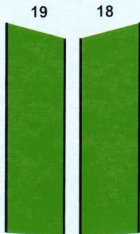
21 463483

26 67



22 463483

26 67



80230 1/72 P-51D